

AQ-M255

Motor protection device

Instruction manual



Table of contents

1 Document information	6
1.1 Version 2 revision notes	6
1.2 Version 1 revision notes	9
1.3 Safety information	9
1.4 Abbreviations.....	10
2 General	13
3 Device user interface	14
3.1 Panel structure	14
3.1.1 Local panel structure	14
3.2 Configuring user levels and their passwords.....	15
4 Functions	17
4.1 Functions included in AQ-M255.....	17
4.2 Measurements.....	19
4.2.1 Current measurement and scaling	19
4.2.2 Voltage measurement and scaling	34
4.2.3 Voltage memory	46
4.2.4 Power and energy calculation	49
4.2.5 Frequency tracking and scaling	58
4.3 General menu.....	61
4.4 Protection functions	64
4.4.1 General properties of a protection function	64
4.4.2 Non-directional overcurrent protection ($I>$; 50/51).....	72
4.4.3 Non-directional earth fault protection ($I0>$; 50N/51N).....	80
4.4.4 Directional overcurrent protection ($I_{dir}>$; 67).....	86
4.4.5 Directional earth fault protection ($I0_{dir}>$; 67N/32N).....	95
4.4.6 Negative sequence overcurrent/ phase current reversal/ current unbalance protection ($I2>$; 46/46R/46L).....	109
4.4.7 Harmonic overcurrent protection ($I_h>$; 50H/51H/68H).....	115
4.4.8 Circuit breaker failure protection (CBFP; 50BF/52BF)	122
4.4.9 Low-impedance or high-impedance restricted earth fault/ cable end differential protection ($I0d>$; 87N)	137
4.4.10 Overvoltage protection ($U>$; 59)	147
4.4.11 Undervoltage protection ($U<$; 27)	155
4.4.12 Neutral overvoltage protection ($U0>$; 59N).....	164
4.4.13 Sequence voltage protection ($U1/U2>/<$; 47/27P/59PN)	172
4.4.14 Overfrequency and underfrequency protection ($f>/<$; 81O/81U).....	181
4.4.15 Rate-of-change of frequency ($df/dt>/<$; 81R)	187
4.4.16 Power protection (P, Q, S) $>/<$; 32).....	194
4.4.17 Motor status monitoring	199
4.4.18 Motor start/ locked rotor monitoring ($I_{st}>$; 48/14)	211
4.4.19 Frequent start protection (N $>$; 66)	223
4.4.20 Non-directional undercurrent protection ($I<$; 37)	229
4.4.21 Mechanical jam protection ($I_m>$; 51M).....	234
4.4.22 Power factor protection (PF $<$; 55)	241
4.4.23 Machine thermal overload protection (TM $>$; 49M).....	246
4.4.24 Resistance temperature detectors (RTD)	283
4.4.25 Programmable stage (PGx $>/<$; 99)	289
4.4.26 Arc fault protection ($I_{Arc}>/I0_{Arc}>$; 50Arc/50NArc)	301
4.5 Control functions	311
4.5.1 Common signals.....	311
4.5.2 Setting group selection	313
4.5.3 Object control and monitoring.....	322
4.5.4 Indicator object monitoring	333

4.5.5 Milliampere output control	334
4.5.6 Programmable control switch	336
4.5.7 User buttons.....	337
4.5.8 Analog input scaling curves	338
4.5.9 Logical outputs	340
4.5.10 Logical inputs	341
4.6 Monitoring functions	343
4.6.1 Current transformer supervision	343
4.6.2 Voltage transformer supervision (60)	354
4.6.3 Circuit breaker wear monitoring	359
4.6.4 Current total harmonic distortion (THD)	365
4.6.5 Voltage total harmonic distortion (THD)	370
4.6.6 Disturbance recorder (DR)	374
4.6.7 Event logger	385
4.6.8 Measurement recorder	386
4.6.9 Measurement value recorder	391
4.6.10 Running hour counter	395
5 Communication	397
5.1 Connections menu.....	397
5.2 Time synchronization	399
5.2.1 Internal	399
5.2.2 NTP	400
5.2.3 PTP	400
5.3 Communication protocols	401
5.3.1 IEC 61850	401
5.3.1.1 Logical device mode and logical node mode	403
5.3.1.2 GOOSE	407
5.3.2 Modbus/TCP and Modbus/RTU	411
5.3.3 IEC 103	412
5.3.4 IEC 101/104	413
5.3.5 SPA	415
5.3.6 DNP3	416
5.3.7 Modbus I/O	418
5.4 Analog fault registers	419
5.5 Real-time measurements to communication	420
5.6 Modbus Gateway.....	422
6 Connections and application examples.....	427
6.1 Connections of AQ-M255	427
6.2 Application example and its connections.....	429
6.3 Two-phase, three-wire ARON input connection	430
6.4 Trip circuit supervision (95)	431
7 Construction and installation	435
7.1 Construction	435
7.2 CPU module	438
7.3 Current measurement module	441
7.4 Voltage measurement module.....	442
7.5 Option cards.....	443
7.5.1 Digital input module (optional).....	443
7.5.2 Digital output module (optional)	446
7.5.3 Point sensor arc protection module (optional)	447
7.5.4 RTD input module (optional)	449
7.5.5 Serial RS-232 communication module (optional).....	450
7.5.6 LC or RJ45 100 Mbps Ethernet communication module (optional)	452
7.5.7 Double ST 100 Mbps Ethernet communication module (optional).....	453
7.5.8 Double RJ45 10/100 Mbps Ethernet communication module (optional).....	455
7.5.9 Milliampere (mA) I/O module (optional)	456
7.6 Dimensions and installation.....	457

8 Technical data	460
8.1 Hardware.....	460
8.1.1 Measurements	460
8.1.1.1 Current measurement.....	460
8.1.1.2 Voltage measurement.....	462
8.1.1.3 Voltage memory	462
8.1.1.4 Power and energy measurement.....	463
8.1.1.5 Frequency measurement	464
8.1.2 CPU & Power supply	464
8.1.2.1 Auxiliary voltage.....	464
8.1.2.2 CPU communication ports.....	465
8.1.2.3 CPU digital inputs	466
8.1.2.4 CPU digital outputs.....	466
8.1.3 Option cards	468
8.1.3.1 Digital input module.....	468
8.1.3.2 Digital output module.....	468
8.1.3.3 Point sensor arc protection module.....	469
8.1.3.4 Milliampere module (mA out & mA in)	470
8.1.3.5 RTD input module.....	471
8.1.3.6 RS-232 & serial fiber communication module.....	471
8.1.3.7 Double LC 100 Mbps Ethernet communication module.....	472
8.1.3.8 Double ST 100 Mbps Ethernet communication module	472
8.1.4 Display	473
8.2 Functions.....	473
8.2.1 Protection functions.....	473
8.2.1.1 Non-directional overcurrent protection ($I>$; 50/51).....	473
8.2.1.2 Non-directional earth fault protection ($I0>$; 50N/51N).....	474
8.2.1.3 Directional overcurrent protection ($I_{dir}>$; 67).....	475
8.2.1.4 Directional earth fault protection ($I0_{dir}>$; 67N/32N).....	477
8.2.1.5 Negative sequence overcurrent/ phase current reversal/ current unbalance protection ($I2>$; 46/46R/46L).....	478
8.2.1.6 Harmonic overcurrent protection ($I_h>$; 50H/51H/68H).....	479
8.2.1.7 Circuit breaker failure protection (CBFP; 50BF/52BF)	480
8.2.1.8 Low-impedance or high-impedance restricted earth fault/ cable end differential protection ($I0d>$; 87N)	481
8.2.1.9 Overvoltage protection ($U>$; 59)	481
8.2.1.10 Undervoltage protection ($U<$; 27)	482
8.2.1.11 Neutral overvoltage protection ($U0>$; 59N).....	483
8.2.1.12 Sequence voltage protection ($U1/U2>/<$; 47/27P/59NP)	484
8.2.1.13 Overfrequency and underfrequency protection ($f>/<$; 81O/81U).....	485
8.2.1.14 Rate-of-change of frequency protection ($df/dt>/<$; 81R).....	486
8.2.1.15 Power protection (P, Q, S) $>/<$; 32).....	487
8.2.1.16 Motor start/ locked rotor monitoring ($I_{st}>$; 48/14)	488
8.2.1.17 Machine thermal overload protection (TM $>$; 49M).....	489
8.2.1.18 Frequent start protection (N $>$; 66).....	490
8.2.1.19 Non-directional undercurrent protection ($I<$; 37).....	490
8.2.1.20 Mechanical jam protection (Im $>$; 51M).....	491
8.2.1.21 Power factor protection (PF $<$; 55)	492
8.2.1.22 Resistance temperature detectors (RTD)	493
8.2.1.23 Arc fault protection ($I_{Arc}>/I0_{Arc}>$; 50Arc/50NArc) (optional).....	493
8.2.2 Control functions	494
8.2.2.1 Setting group selection	494
8.2.2.2 Object control and monitoring.....	494
8.2.2.3 Indicator object monitoring	495
8.2.3 Monitoring functions	495
8.2.3.1 Current transformer supervision	495
8.2.3.2 Voltage transformer supervision (60)	496
8.2.3.3 Circuit breaker wear monitoring	497
8.2.3.4 Current total harmonic distortion.....	497

8.2.3.5 Disturbance recorder	498
8.2.3.6 Event logger	498
8.3 Tests and environmental	499
9 Ordering information	501
10 Contact and reference information.....	503

Disclaimer

Please read these instructions carefully before using the equipment or taking any other actions with respect to the equipment. Only trained and qualified persons are allowed to perform installation, operation, service or maintenance of the equipment. Such qualified persons have the responsibility to take all appropriate measures, including e.g. use of authentication, encryption, anti-virus programs, safe switching programs etc. necessary to ensure a safe and secure environment and usability of the equipment. The warranty granted to the equipment remains in force only provided that the instructions contained in this document have been strictly complied with.

Nothing contained in this document shall increase the liability or extend the warranty obligations of the manufacturer Arcteq Relays Ltd. The manufacturer expressly disclaims any and all liability for any damages and/or losses caused due to a failure to comply with the instructions contained herein or caused by persons who do not fulfil the aforementioned requirements. Furthermore, the manufacturer shall not be liable for possible errors in this document.

Please note that you must always comply with applicable local legislation and regulations. The manufacturer gives no warranties that the content of this document is in all respects in line with local laws and regulations and assumes no liability for such possible deviations.

You are advised to notify the manufacturer in case you become aware of any errors in this document or of defects in the equipment.

The manufacturer reserves the right to update or amend this document at any time.

Copyright

Copyright © Arcteq Relays Ltd. 2023. All rights reserved.

1 Document information

1.1 Version 2 revision notes

Table. 1.1 - 1. Version 2 revision notes

Revision	2.00
Date	6.6.2019
Changes	<ul style="list-style-type: none"> - New more consistent look. - Improved descriptions generally in many chapters. - Improved readability of a lot of drawings and images. - Updated protection functions included in every manual. - Every protection relay type now has connection drawing, application example drawing with function block diagram and application example with wiring. - Added General-menu description.
Revision	2.01
Date	6.11.2019
Changes	<ul style="list-style-type: none"> - Added description for LED test and button test. - Added display sleep timer description. - Complete rewrite of every chapter. - Improvements to many drawings and formula images. - Order codes revised. - Added double ST 100 Mbps Ethernet communication module and Double RJ45 10/100 Mbps Ethernet communication module descriptions
Revision	2.02
Date	7.7.2020
Changes	- A number of image descriptions improved.
Revision	2.03
Date	27.8.2020

Changes	<ul style="list-style-type: none"> - Terminology consistency improved (e.g. binary inputs are now always called digital inputs). - Tech data modified to be more informative about what type of measurement inputs are used (phase currents/voltages, residual currents/voltages), what component of that measurement is available (RMS, TRMS, peak-to-peak) and possible calculated measurement values (powers, impedances, angles etc.). - Tech data updated: non-directional overcurrent - Tech data updated: non-directional earthfault - Tech data updated: directional earthfault - Tech data updated: current unbalance - Tech data updated: overfrequency, underfrequency and rate-of-change-of-frequency. - Improvements to many drawings and formula images. - AQ-M255 Functions included list Added: Rate-of-change-of-frequency, PQS power protection, voltage memory, indicator objects, measurement recorder, running hour counter. - AQ-M255 Functions included list Removed: Power factor protection, underimpedance protection. - Added "32N" ANSI code to directional earth fault protection modes "unearthed" and "petersen coil grounded". - Added 6th harmonic to harmonic overcurrent protection function. - Fixed reset ratio of under- and overfrequency protection function from 103 % / 97 % to +/- 20 mHz.. - Fixed reset ratio of rate-of-change-of-frequency protection function from 20 mHz/s to 100 mHz/s. - Changed disturbance recorder maximum digital channel amount from 32 to 95. - Added residual current coarse and fine measurement data to disturbance recorder description. - Event read mode parameter added to Modbus description. - HSO1 and HSO2 connection swapped in arc protection card (was way wrong before). - Updated IO1 and IO2 rated current range. - Added inches to Dimensions and installation chapter. - Added raising frames, wall mounting bracket, combiflex frame to order code. - Added logical input and logical output function descriptions. - Additions to Abbreviations chapter. - Added button test description to Local panel structure chapter. - Added note to Configuring user levels and passwords chapter that AQ-250 frame units generate a time-stamped event from locking and unlocking user levels. - Added note to Configuring user levels and passwords chapter that user level with a password automatically locks itself after 30 minutes of inactivity. - Added more "Tripped stage" indications and fault types to Measurement value recorder function. - Updated: Digital input activation and release threshold setting ranges and added drop-off delay setting. - Added sample rate to voltage and current measurement tech data. - Fixed overvoltage, undervoltage, neutral overvoltage and sequence voltage stage misspelled IDMT curve formula. - Z< removed from the Connections images. - Note added to power protection tech data.
Revision	2.04
Date	8.6.2021
Changes	<ul style="list-style-type: none"> - Increased the consistency in terminology - Various image upgrades - Visual update to the order codes
Revision	2.05
Date	22.6.2021

Changes	<ul style="list-style-type: none"> - Fixed phase current measurement continuous thermal withstand from 30A to 20A. - Fixed lots of timing errors written to registers table. "Prefault" is -200 ms from Start event, "Pretrigger" is -20 ms from trip (or start if fault doesn't progress to trip), "Fault" is start (or trip if fault doesn't progress to trip). - Added event history technical data
Revision	2.06
Date	21.6.2022
Changes	<ul style="list-style-type: none"> - Improved descriptions generally in many chapters. - Improved readability of a lot of drawings and images. - Order codes have been revised. - Added LN mode parameters to all functions (On, Blocked, Test, Test/Blocked, Off). - Added color themes parameter description. - Improved color sleep mode description. - Improved alarm function color behavior description and images. - Added operation time with different measurement values vs setting ratio in instant operation mode to non-directional overcurrent function description. - Fixed bias calculation formula for restricted earth fault function. Was correctly in the code, just written wrong in the manual. - Added 30 s pretriggering time for disturbance recorder (AQ-250 devices only). - Added new trip detections and fault types to measurement value recorder. - Added user description parameter descriptions for digital inputs, digital outputs, logical inputs, logical outputs and GOOSE inputs. - Arc point sensor HSO1 and HSO2 position fixed. - Added spare part codes and compatibilities to option cards.
Revision	2.07
Date	7.7.2022
Changes	<ul style="list-style-type: none"> - Added voltage THD function description. - Added THD voltage measurements. - Fixed number of logical inputs. - Added common signals function description. - Added PTP time synchronization description. - Added Modbus Gateway description. - Added more fault types to Measurement value recorder (VREC) function.
Revision	2.08
Date	8.9.2022
Changes	<ul style="list-style-type: none"> - Added stage forcing parameter to function descriptions. - Fixes to "Real time signals to comm" description. - Added "Ethernet port" parameter description to IEC61850, IEC104 and Modbus TCP descriptions. - Removed "Measurement update interval" settings from Modbus description. No longer in use. - Renamed "System integration" chapter to "Communication" and restructured the chapters to be closer to how they are in the menus. - Added "Event logger" chapter. - Added more descriptions to new IEC 61850 ed2 GOOSE parameters. - Added "Condition monitoring / CB wear" description to object description. - Added "User button" description. - Added logical device and logical node mode descriptions.
Revision	2.09

Date	14.3.2023
Changes	<ul style="list-style-type: none"> - Updated the Arcteq logo on the cover page and refined the manual's visual look. - Added the "Safety information" chapter and changed the notes throughout the document accordingly. - Changed the "IED user interface" chapter's title to "Device user interface" and replaced all 'IED' terms with 'device' or 'unit'. - Updated the rated values for the change-over CPU digital outputs in "Technical data". - Updated the input impedance for the voltage measurement module in "Technical data". - Added double ethernet port configuration parameters to "Connections menu" chapter. - Added event overload detection description to "Event logger" chapter.

1.2 Version 1 revision notes

Table. 1.2 - 2. Version 1 revision notes

Revision	1.00
Date	20.1.2017
Changes	<ul style="list-style-type: none"> • The first revision for AQ-M255.
Revision	1.01
Date	5.1.2018
Changes	<ul style="list-style-type: none"> • Measurement value recorder description added. • ZCT connection added to the current measurement description. • Internal harmonics blocking added to the I> ,I0> , and I0dir> function descriptions. • Non-standard delay curves added. • Event lists revised on several functions. • RTD & mA card description improved. • Ring-lug CT card option description added. • Fault view description added. • New U> and U< function measurement modes documented. • Order code revised.
Revision	1.02
Date	14.8.2018
Changes	<ul style="list-style-type: none"> • Added the mA output option card description and updated the order code. • Added the HMI display technical data.

1.3 Safety information

This document contains important instructions that should be saved for future use. Read the document carefully before installing, operating, servicing, or maintaining this equipment. Please read and follow all the instructions carefully to prevent accidents, injury and damage to property.

Additionally, this document contains four (4) types of special messages to call the reader's attention to useful information as follows:



NOTICE!

"Notice" messages indicate relevant factors and conditions to the the concept discussed in the text, as well as to other relevant advice.



CAUTION!

"Caution" messages indicate a potentially hazardous situation which, if not avoided, **could** result in minor or moderate personal injury, in equipment/property damage, or software corruption.



WARNING!

"Warning" messages indicate a potentially hazardous situation which, if not avoided, **could** result in death or serious personal injury as well as serious damage to equipment/property.



DANGER!

"Danger" messages indicate an imminently hazardous situation which, if not avoided, **will** result in death or serious personal injury.

These symbols are added throughout the document to ensure all users' personal safety and to avoid unintentional damage to the equipment or connected devices.

Please note that although these warnings relate to direct damage to personnel and/or equipment, it should be understood that operating damaged equipment may also lead to further, indirect damage to personnel and/or equipment. Therefore, we expect any user to fully comply with these special messages.

1.4 Abbreviations

AI – Analog input

AR – Auto-recloser

ASDU – Application service data unit

AVR – Automatic voltage regulator

BCD – Binary-coded decimal

CB – Circuit breaker

CBFP – Circuit breaker failure protection

CLPU – Cold load pick-up

CPU – Central processing unit

CT – Current transformer

CTM – Current transformer module

CTS – Current transformer supervision

DG – Distributed generation

DHCP – Dynamic Host Configuration Protocol

DI – Digital input

DO – Digital output

DOL – Direct-on-line

DR – Disturbance recorder

DT – Definite time

FF – Fundamental frequency

FFT – Fast Fourier transform

FTP – File Transfer Protocol

GI – General interrogation

HMI – Human-machine interface

HR – Holding register

HV – High voltage

HW – Hardware

IDMT – Inverse definite minimum time

IGBT – Insulated-gate bipolar transistor

I/O – Input and output

IRIG-B – Inter-range instruction group, timecode B

LCD – Liquid-crystal display

LED – Light emitting diode

LV – Low voltage

NC – Normally closed

NO – Normally open

NTP – Network Time Protocol

RMS – Root mean square

RSTP – Rapid Spanning Tree Protocol

RTD – Resistance temperature detector

RTU – Remote terminal unit

SCADA – Supervisory control and data acquisition

SG – Setting group

SOTF – Switch-on-to-fault

SW – Software

THD – Total harmonic distortion

TRMS – True root mean square

VT – Voltage transformer

VTM – Voltage transformer module

VTS – Voltage transformer supervision

2 General

The AQ-M255 motor protection device is a member of the AQ 250 product line. The hardware and software are modular: the hardware modules are assembled and configured according to the application's I/O requirements and the software determines the available functions. This manual describes the specific application of the AQ-M255 motor protection device. For other AQ 200 and AQ 250 series products please consult their respective device manuals.

AQ-M255 offers a modular motor protection and control solution for motors with a large I/O capacity. There are up to eleven (11) option card slots available for additional I/O or communication cards for more comprehensive monitoring and control applications. AQ-M255 communicates using various protocols including the IEC 61850 substation communication standard.

3 Device user interface

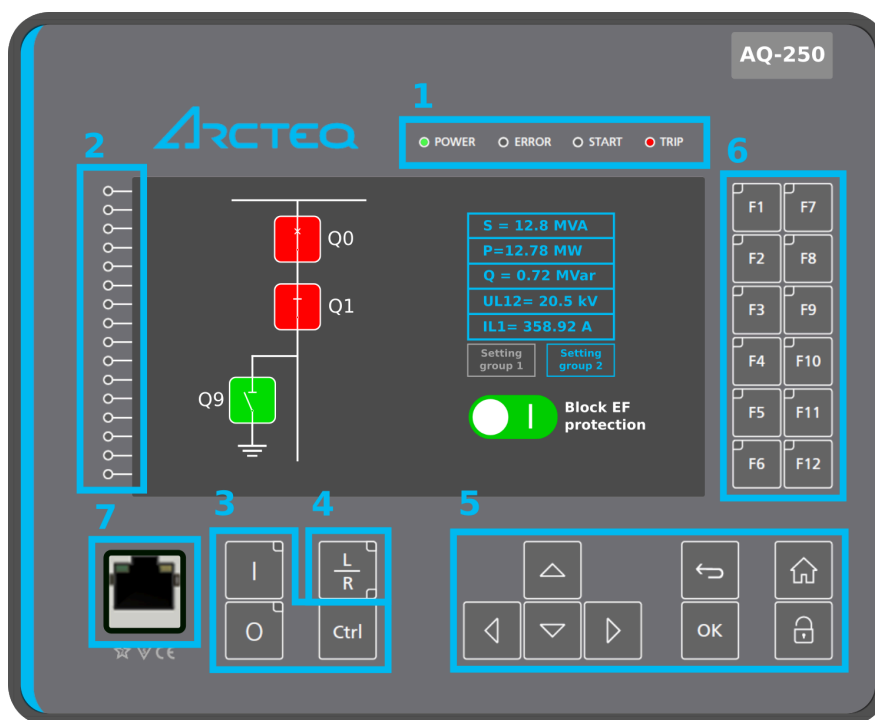
3.1 Panel structure

The user interface section of an AQ 200 or AQ 250 series device is divided into two user interface sections: one for the hardware and the other for the software. You can access the software interface either through the front panel or through the AQtivate 200 freeware software suite.

3.1.1 Local panel structure

The front panel of AQ-250 series devices have multiple LEDs, control buttons and a local RJ-45 Ethernet port for configuration. Each unit is also equipped with an RS-485 serial interface and an RJ-45 Ethernet interface on the back of the device.

Figure. 3.1.1 - 1. Local panel structure.



1. Four (4) default LEDs: "Power", "Error", "Start" (configurable) and "Trip" (configurable).
2. Sixteen (16) freely configurable LEDs (red, orange, green) with programmable legend texts.
3. Three (3) object control buttons: Choose the controllable object with the Ctrl button and control the breaker or other object with the I and the O buttons.
4. The L/R button switches between the local and the remote control modes.
5. Eight (8) buttons for device local programming: the four navigation arrows, the Back and the OK buttons, the Home and the password activation buttons).
6. Twelve (12) freely configurable function buttons (F1...F12). Each button has a freely configurable LED (red, orange, green).
7. One (1) RJ-45 Ethernet port for device configuration.

When the unit is powered on, the green "Power" LED is lit. When the red "Error" LED is lit, the device has an internal (hardware or software) error that affects the operation of the unit. The activation of the yellow "Start" LED and the red "Trip" LED are based on the setting the user has put in place in the software.

The sixteen freely configurable LEDs are located on the left side of the display. Their activation and color (green, orange, red) are based on the settings the user has put in place in the software.

The view in the screen is freely configurable. Virtual switches and buttons can be added which can be used to change the setting groups or control the device's general logic locally or remotely. The status of the object (circuit breaker, disconnecter) can be displayed on the screen. All measured and calculated values regardless of the magnitude category (current, voltage, power, energy, frequency, etc.) can be shown on the screen.

Holding the I (object control) button down for five seconds brings up the button test menu. It displays all the physical buttons on the front panel. Pressing any of the listed buttons marks them as tested. When all buttons are marked as having been tested, the device will return back to the default view.

3.2 Configuring user levels and their passwords

As a factory default, no user level is locked with a password in a device. In order to activate the different user levels, click the **Lock** button in the device's HMI and set the desired passwords for the different user levels.

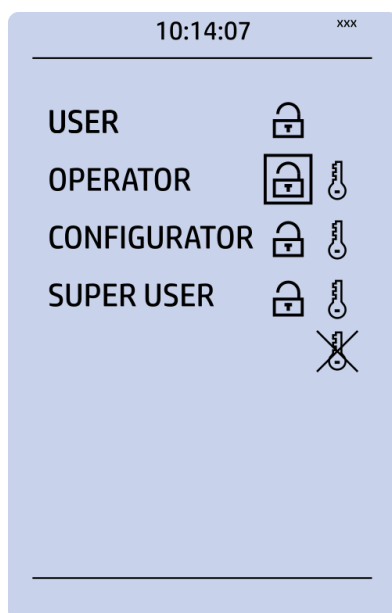


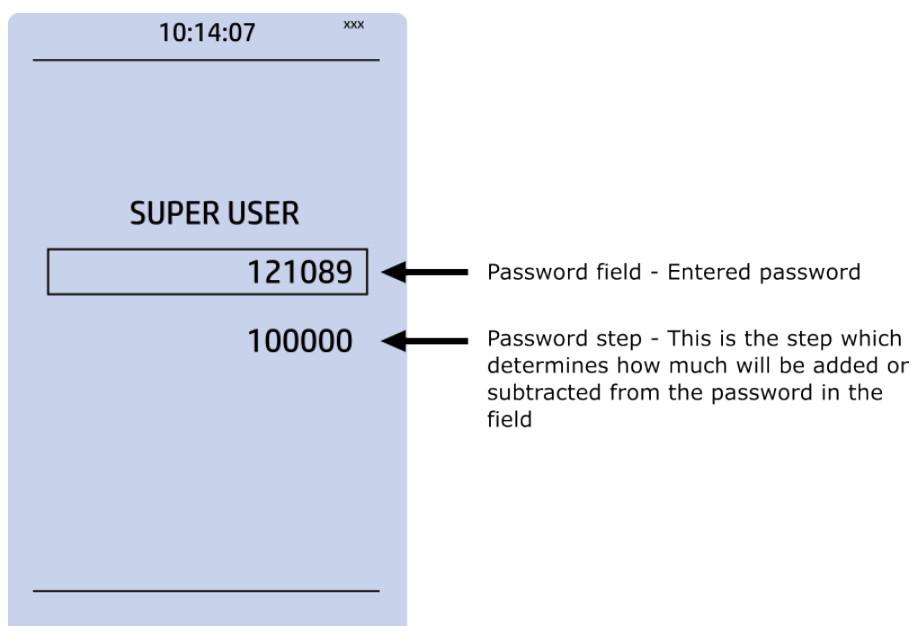
NOTICE!

Passwords can only be set locally in an HMI.

A number of stars are displayed in the upper right corner of the HMI; these indicate the current user level. The different user levels and their star indicators are as follows (also, see the image below for the HMI view):

- Super user (***)
- Configurator (**)
- Operator (*)
- User (-)





You can set a new password for a user level by selecting the key icon next to the user level's name. After this you can lock the user level by pressing the **Return** key while the lock is selected. If you need to change the password, you can select the key icon again and give a new password. Please note that in order to do this the user level whose password is being changed must be unlocked.

As mentioned above, the access level of the different user levels is indicated by the number of stars. The required access level to change a parameter is indicated with a star (*) symbol if such is required. As a general rule the access levels are divided as follows:

- *User*: Can view any menus and settings but cannot change any settings, nor operate breakers or other equipment.
- *Operator*: Can view any menus and settings but cannot change any settings BUT can operate breakers and other equipment.
- *Configurator*: Can change most settings such as basic protection pick-up levels or time delays, breaker control functions, signal descriptions etc. and can operate breakers and other equipment.
- *Super user*: Can change any setting and can operate breakers and other equipment.



NOTICE!

Unlocking and locking a user level generates a time-stamped event to the event log in all AQ 250 series devices.



NOTICE!

Any user level with a password automatically locks itself after half an hour (30 minutes) of inactivity.

4 Functions

4.1 Functions included in AQ-M255

The AQ-M255 motor protection relay includes the following functions as well as the number of stages in those functions.

Table. 4.1 - 3. Protection functions of AQ-M255.

Name (number of stages)	IEC	ANSI	Description
NOC (4)	I> I>> I>>> I>>>>	50/51	Non-directional overcurrent protection
DOC (4)	I _{dir} > I _{dir} >> I _{dir} >>> I _{dir} >>>>	67	Directional overcurrent protection
NEF (4)	I ₀ > I ₀ >> I ₀ >>> I ₀ >>>>	50N/51N	Non-directional earth fault protection
DEF (4)	I _{0dir} > I _{0dir} >> I _{0dir} >>> I _{0dir} >>>>	67N/32N	Directional earth fault protection
OV (4)	U> U>> U>>> U>>>>	59	Overvoltage protection
UV (4)	U< U<< U<<< U<<<<	27	Undervoltage protection
NOV (4)	U ₀ > U ₀ >> U ₀ >>> U ₀ >>>>	59N	Neutral overvoltage protection
FRQV (8)	f> f>> f>>> f>>>> f< f<< f<<< f<<<<	81O/81U	Overfrequency and underfrequency protection
ROCOF (8)	df/dt>/< (1...8)	81R	Rate-of-change of frequency

Name (number of stages)	IEC	ANSI	Description
CUB (4)	I2> I2>> I2>>> I2>>>>	46/46R/46L	Negative sequence overcurrent/ phase current reversal/ current unbalance protection
VUB (4)	U1/U2>/< U1/U2>>/<< U1/U2>>>/<<< U1/ U2>>>>/<<<<	47/27P/59PN	Sequence voltage protection
HOC (4)	Ih> Ih>> Ih>>> Ih>>>>	50H/51H/68H	Harmonic overcurrent protection
CBFP (1)	CBFP	50BF/52BF	Circuit breaker failure protection
REF (1)	I0d>	87N	Low-impedance or high-impedance restricted earth fault/cable end differential protection
MST	-	-	Motor status monitoring
TOLM (1)	TM>	49M	Machine thermal overload protection
LCR (1)	Ist>	48/14	Motor startup/locked rotor monitoring
FSP (1)	N>	66	Frequent start protection
NUC (1)	I<	37	Non-directional undercurrent protection
MJP (1)	Im>	51M	Mechanical jam protection
UPF (1)	PF<	55	Power factor protection
RTD (1...16)	-	-	RTD alarms (Resistance temperature detector)
PQS (4)	P, Q, S>/< P, Q, S>>/<< P, Q, S>>>/<<< P, Q, S>>>>/<<<<	32	Power protection
PGS (1)	PGx>/<	99	Programmable stage
ARC (1)	IArc>/I0Arc>	50Arc/50NArc	Arc fault protection (optional)

Table. 4.1 - 4. Control functions of AQ-M255.

Name	IEC	ANSI	Description
SGS	-	-	Setting group selection
OBJ	-	-	Object control and monitoring (10 objects available)
CIN	-	-	Indicator object monitoring (10 indicator available)

Table. 4.1 - 5. Monitoring functions of AQ-M255.

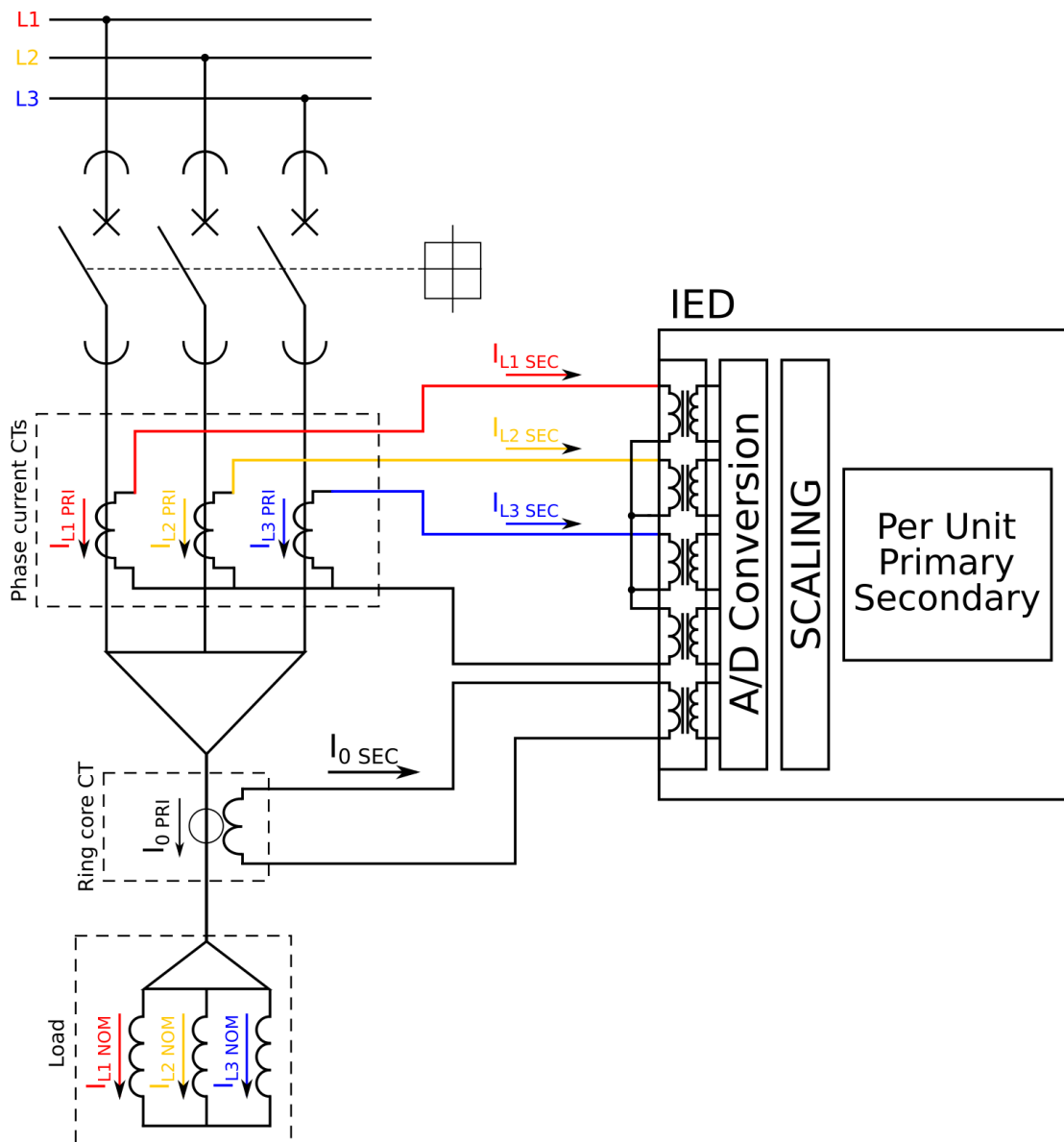
Name	IEC	ANSI	Description
CTS	-	-	Current transformer supervision
VTS	-	60	Voltage transformer supervision
DR	-	-	Disturbance recorder
CBW	-	-	Circuit breaker wear monitor
THD	-	-	Total harmonic distortion
RHC	-	-	Running hour counter
MREC	-	-	Measurement recorder
VREC	-	-	Measurement value recorder

4.2 Measurements

4.2.1 Current measurement and scaling

The current measurement module (CT module, or CTM) is used for measuring the currents from current transformers. The measured values are processed into the measurement database and they are used by measurement and protection functions. It is essential to understand the concept of current measurements to be able to get correct measurements.

Figure. 4.2.1 - 2. Current measurement terminology.



PRI: The primary current, i.e. the current which flows in the primary circuit and through the primary side of the current transformer.

SEC: The secondary current, i.e. the current which the current transformer transforms according to its ratios. This current is measured by the device.

NOM: The nominal primary current of the protected object.

For the measurements to be correct the user needs to ensure that the measurement signals are connected to the correct inputs, that the current direction is connected to the correct polarity, and that the scaling is set according to the nominal values of the current transformer.

The device calculates the scaling factors based on the set values of the CT primary, the CT secondary and the nominal current settings. The device measures the secondary current, the current output from the current transformer installed into application's primary circuit. The rated primary and secondary currents of the CT need to be set for the device to "know" the primary and per-unit values. With motors and other specific electrical apparatus protections, the motor's nominal current should be set for the values to be in per unit with regards to the apparatus nominal instead of the CT nominal. This is not always mandatory as some devices still require manual calculations for the correct settings; however, setting the motors nominal current makes motor protection much easier and more straightforward. In modern protection devices this scaling calculation is done internally after the current transformer's primary current, secondary current and motor nominal current are set.

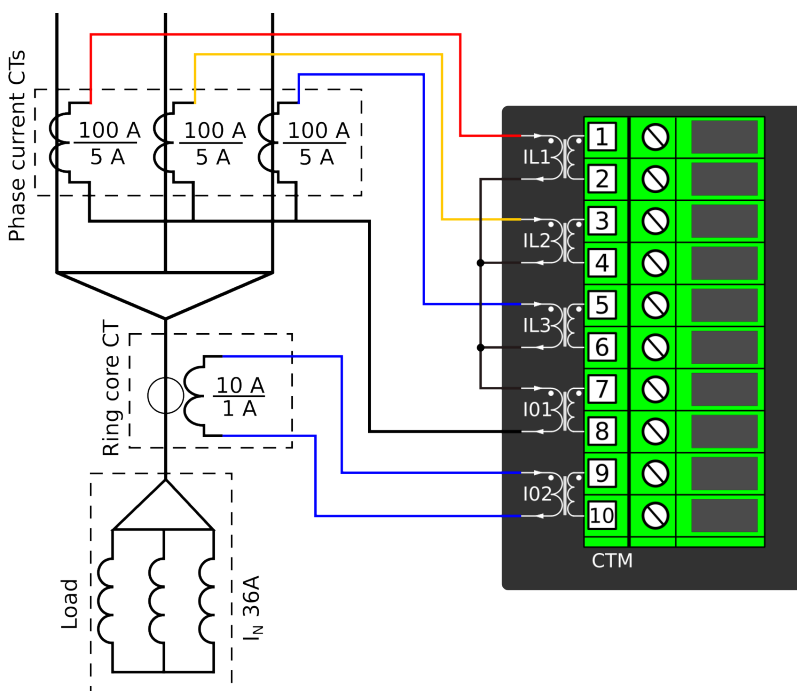
Normally, the primary current ratings for phase current transformers are 10 A, 12.5 A, 15 A, 20 A, 25 A, 30 A, 40 A, 50 A, 60 A and 75 A as well as their decimal multiples, while the secondary current ratings are 1 A and 5 A. Other, non-standard ratings can be directly connected as the scaling settings are flexible and have large ranges. For example, the ring core current transformer ratings may vary. Ring core current transformers are commonly used for sensitive earth fault protection and their rated secondary current may be as low as 0.2 A in some cases.

The following chapter is an example on how to set the scaling of the current measurements for the selected current transformer and system load.

Example of CT scaling

The following figure presents how CTs are connected to the device's measurement inputs. It also shows example CT ratings and nominal current of the load.

Figure. 4.2.1 - 3. Connections.



The following table presents the initial data of the connection.

Table. 4.2.1 - 6. Initial data.

<p>Phase current CT:</p> <ul style="list-style-type: none"> CT primary: 100 A CT secondary: 5 A 	<p>Ring core CT in Input I02:</p> <ul style="list-style-type: none"> I0CT primary: 10 A I0CT secondary: 1 A 	<p>Load (nominal): 36 A</p>
--	--	--

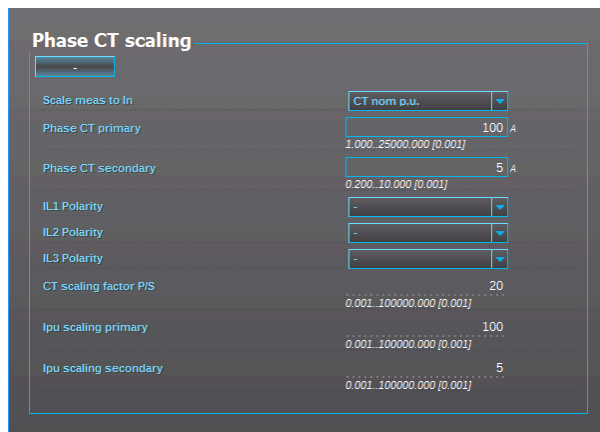
- The phase currents are connected to the I01 residual via a Holmgren connection.
- The starpoint of the phase current CT's secondary current is towards the line.

Phase CT scaling

Next, to scale the current to per-unit values, we have to select whether the basis of the phase CT scaling is the protected object's nominal current or the CT primary value.

If the CT values are chosen to be the basis for the per-unit scaling, the option "CT nom. p.u." is selected for the "Scale meas to In" setting (see the image below).

Figure. 4.2.1 - 4. Setting the phase current transformer scalings to CT nominal.



Once the setting have been sent to the device, device calculates the scaling factors and displays them for the user. The "CT scaling factor P/S" describes the ratio between the primary current and the secondary current. The per-unit scaling factors ("Ipu scaling") for both primary and secondary values are also displayed (in this case they are the set primary and secondary currents of the CT).

If the protected object's nominal current is chosen to be the basis for the per-unit scaling, the option "Object in p.u." is selected for the "Scale meas to In" setting (see the image below).

Figure. 4.2.1 - 5. Setting the phase current transformer scalings to the protected object's nominal current.



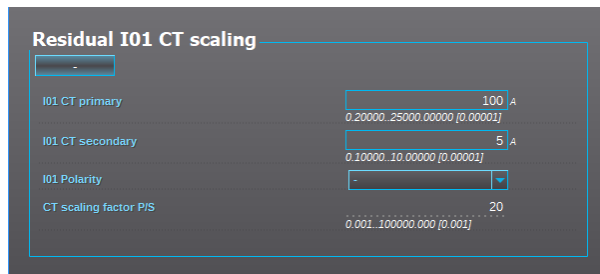
Once the measurement scaling is tied to the protected object's nominal current, the user must set the appropriate input for the "Nominal current In" setting. One can now see the differences between the two scaling options (CT nominal vs. object nominal). The "CT scaling factor P/S" is the direct ratio between the set CT current values, and the "CT scaling factor NOM" is now the ratio between the set CT primary and the nominal current. The "Ipu scaling primary" is now equal to the set nominal current, and the "Ipu scaling secondary" is the ratio between the nominal current and the "CT scaling factor P/S".

Residual I0 CT scaling

Next, we set the residual IO CT scalings according to how the phase current CTs and the ring core CT are connected to the module (see the Connections image at the beginning of this chapter).

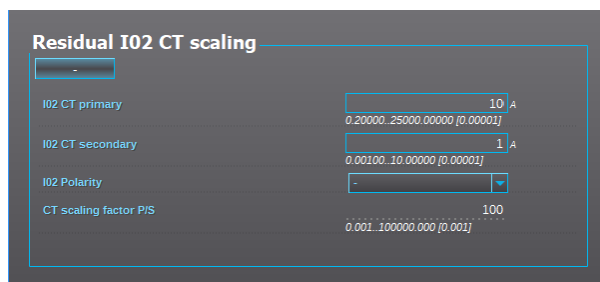
The phase current CTs are connected to the module via a Holmgren (summing) connection, which requires the use of coarse residual current measurement settings: the "I01 CT" settings are set according to the phase current CTs' ratings (100/5 A).

Figure. 4.2.1 - 6. Residual I01 CT scaling (coarse).



The ring core CT is connected to the CTM directly, which requires the use of sensitive residual current measurement settings: the "I02 CT" settings are set according to the ring core CT's ratings (10/1 A).

Figure. 4.2.1 - 7. Residual I02 CT scaling (sensitive).



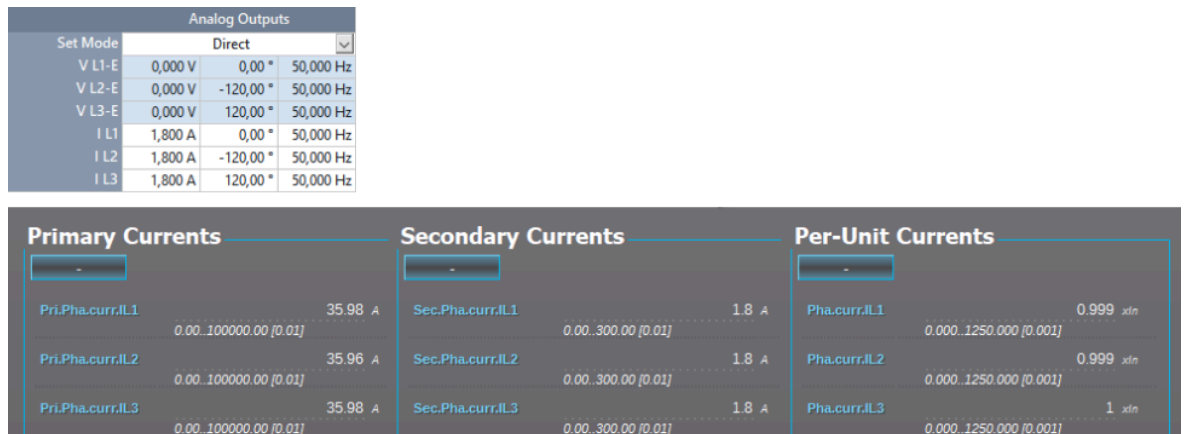
Displaying the scaling

Depending on whether the scaling was done based on the CT primary values or the protected object's nominal current, the measurements are displayed slightly differently. The first of the two images shows how the measurements are displayed when the CT primary values are the basis for the scaling; the second shows them when the protected object's nominal current is the basis for the scaling.

Figure. 4.2.1 - 8. Scalings display (based on the CT nominal).



Figure. 4.2.1 - 9. Scalings display (based on the protected object's nominal current).

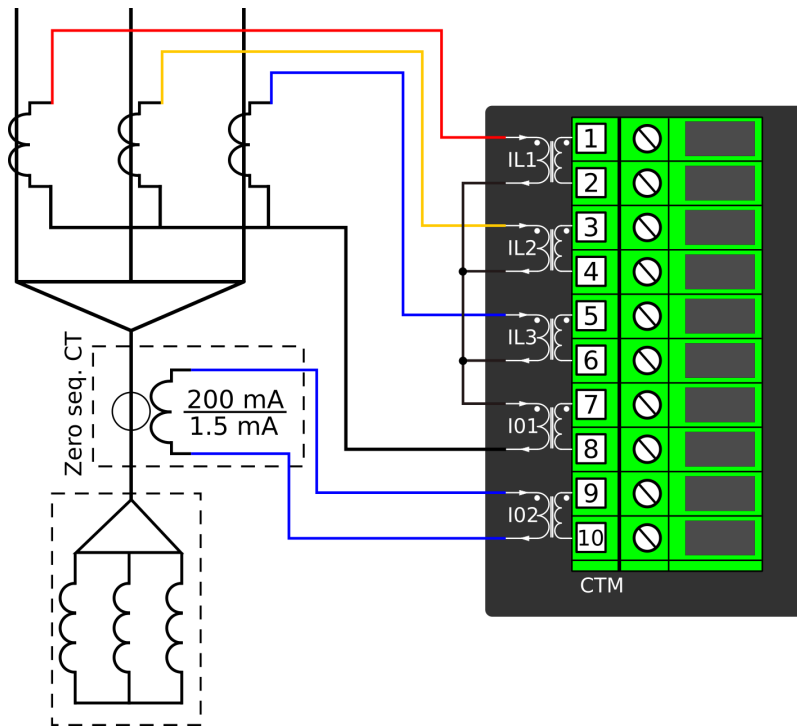


As the images above show, the scaling selection does not affect how primary and secondary currents are displayed (as actual values). The only effect is that the per-unit system in the device is scaled either to the CT nominal or to the object nominal, making the settings input straightforward.

Example of zero sequence CT scaling

Zero sequence CT scaling (ZCT scaling) is done when a zero sequence CT instead of a ring core CT is part of the measurement connection. In such a case the zero sequence CT should be connected to the I02 channel which has lower CT scaling ranges (see the image below).

Figure. 4.2.1 - 10. Connections of ZCT scaling.



Troubleshooting

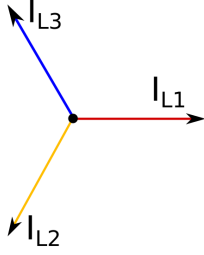
When the measured current values differ from the expected current values, the following table offers possible solutions for the problems.



WARNING!

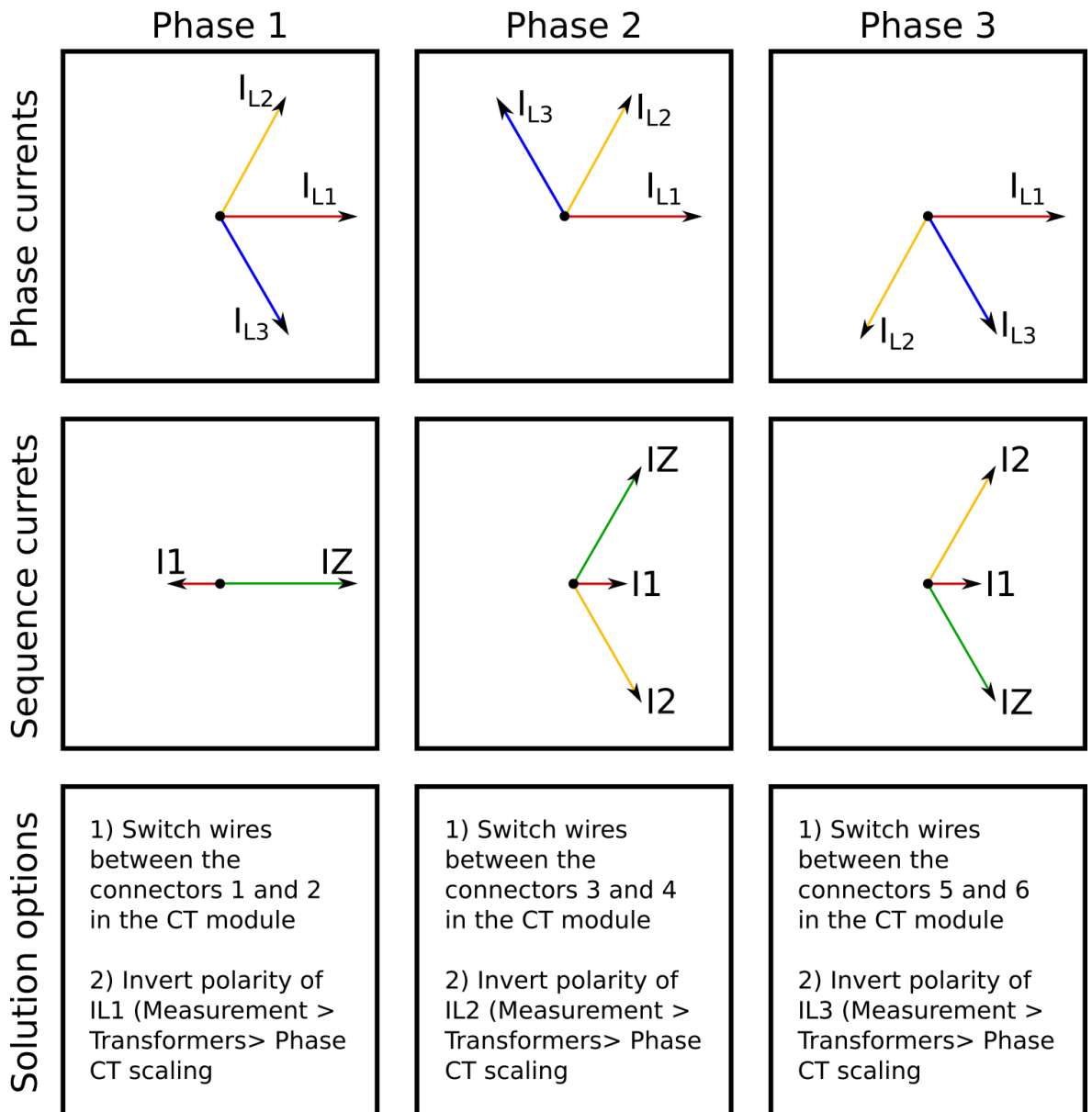
If you work with energized CTs, extreme caution needs to be taken when checking the connections! An opened CT secondary circuit may generate dangerously high voltages. A "buzzing" sound from the connector can indicate an open circuit.

Problem	Solution
The measured current amplitude in all phases does not match the injected current.	The scaling settings may be wrong, check that the settings match with the connected current transformer (<i>Measurement</i> → <i>Transformers</i> → <i>Phase CT scaling</i>). Also check that the "Scale meas. to In" is set accordingly. If possible, check the actual CTs and their ratings as there may have been a need to change the original plan.
The measured current amplitude does not match one of the measured phases./ The calculated I0 is measured even though it should not.	Check the wiring connections between the injection device or the CTs and the device.

Problem	Solution
<p>The measured current amplitudes are OK but the angles are strange./ The phase unbalance protection trips immediately after activation./ The earth fault protection trips immediately after activation.</p>	<p>The phase currents are connected to the measurement module but the order or polarity of one or all phases is incorrect. In device settings, go to <i>Measurement</i> → <i>Phasors</i> and check the "Phase current vectors" diagram. When all connections are correct, the diagram (symmetric feeding) should look like this:</p>  <p>See the following tables for the most common problems with phase polarity and network rotation (mixed phases).</p>

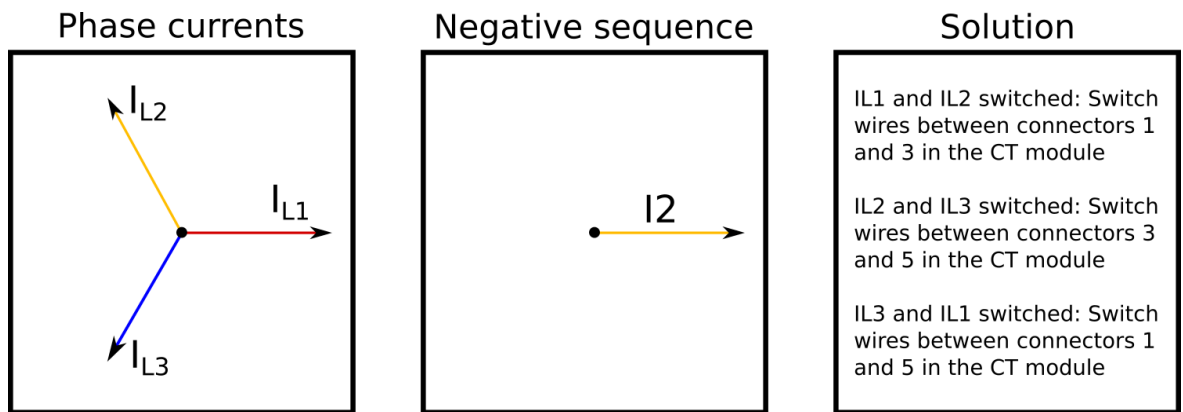
The following image presents the most common problems with phase polarity. Problems with phase polarity are easy to find because the vector diagram points towards the opposite polarity when a phase has been incorrectly connected.

Figure. 4.2.1 - 11. Common phase polarity problems.



The following image presents the most common problems with network rotation (mix phases). These problems can be difficult to find because the measurement result is always the same in the device. If two phases are mixed together, the network rotation always follows the pattern IL1-IL3-IL2 and the measured negative sequence current is therefore always 1.00 (in. p.u.).

Figure. 4.2.1 - 12. Common network rotation (mixed phases) problems.



Settings

Table. 4.2.1 - 7. Settings of the Phase CT scaling.

Name	Unit	Range	Step	Default	Description
Scale measurement to In	-	0: CT nom p.u. 1: Object In p.u.	-	0: CT nom p.u.	The selection of the reference used in the device's per-unit system scaling. Either the set phase current CT primary or the protected object's nominal current.
Phase CT primary	A	1.000...25 000.000	0.001	100.000	The rated primary current of the current transformer.
Phase CT secondary	A	0.200...10.000	0.001	5.000	The rated secondary current of the current transformer.
Nominal current In	A	1.000...25 000.000	0.001	100.000	The nominal current of the protected object. This setting is only visible if the option "Object In p.u." has been selected in the "Scale measurement to In" setting.
IL1 Polarity	-	0: - 1: Invert	-	0: -	The selection of the first current measurement channel's (IL1) polarity (direction). The default setting is for the positive current to flow from connector 1 to connector 2, with the secondary currents' starpoint pointing towards the line.
IL2 Polarity	-	0: - 1: Invert	-	0: -	The selection of the second current measurement channel's (IL2) polarity (direction). The default setting is for the positive current to flow from connector 3 to connector 4, with the secondary currents' starpoint pointing towards the line.
IL3 Polarity	-	0: - 1: Invert	-	0: -	The selection of the third current measurement channel's (IL3) polarity (direction). The default setting is for the positive current to flow from connector 5 to connector 6, with the secondary currents' starpoint pointing towards the line.
CT scaling factor P/S	-	-	-	-	A feedback value; the calculated scaling factor that is the ratio between the primary current and the secondary current.

Name	Unit	Range	Step	Default	Description
CT scaling factor NOM	-	-	-	-	A feedback value; the calculated scaling factor that is the ratio between the set primary current and the set nominal current. This parameter is only visible if the option "Object In p.u." has been selected in the "Scale measurement to In" setting.
Ipu scaling primary	-	-	-	-	A feedback value; the scaling factor for the primary current's per-unit value.
Ipu scaling secondary	-	-	-	-	A feedback value; the scaling factor for the secondary current's per-unit value.

Table. 4.2.1 - 8. Settings of the Residual I01 CT scaling.

Name	Unit	Range	Step	Default	Description
I01 CT primary	A	0.200 00...25 000.000 00	0.000 01	100.000 00	The rated primary current of the current transformer.
I01 CT secondary	A	0.100 00...10.000 00	0.000 01	1.000 00	The rated secondary current of the current transformer.
I01 Polarity	-	0: - 1: Invert	-	0: -	The selection of the coarse residual measurement channel's (I01) polarity (direction). The default setting is for the positive current to flow from connector 7 to connector 8.
CT scaling factor P/S	-	-	-	-	A feedback value; the calculated scaling factor that is the ratio between the primary current and the secondary current.

Table. 4.2.1 - 9. Settings of the Residual I02 CT scaling.

Name	Unit	Range	Step	Default	Description
I02 CT primary	A	0.200 00...25 000.000 00	0.000 01	100.000 00	The rated primary current of the current transformer.
I02 CT secondary	A	0.001 00...10.000 00	0.000 01	0.200 00	The rated secondary current of the current transformer.
I02 Polarity	-	0: - 1: Invert	-	0: -	The selection of the sensitive residual measurement channel's (I02) polarity (direction). The default setting is for the positive current to flow from connector 9 to connector 10.
CT scaling factor P/S	-	-	-	-	A feedback value; the calculated scaling factor that is the ratio between the primary current and the secondary current.

Measurements

The following measurements are available in the measured current channels.

Table. 4.2.1 - 10. Per-unit phase current measurements.

Name	Unit	Range	Step	Description
Phase current ILx ("Pha.curr.ILx")	× In	0.000...1 250.000	0.001	The RMS current measurement (in p.u.) from each of the phase current channels.
Phase current ILx TRMS ("Pha.curr.ILx TRMS")	× In	0.00...1 250.00	0.01	The TRMS current (inc. harmonics up to 31 st) measurement (in p.u.) from each of the phase current channels.
Peak-to-peak current ILx ("P-P curr.ILx")	× In	0.00...500.00	0.01	The peak-to-peak current measurement (in p.u.) from each of the phase current channels.

Table. 4.2.1 - 11. Primary phase current measurements.

Name	Unit	Range	Step	Description
Primary phase current ILx ("Pri.Pha.curr.ILx")	A	0.00...1 000 000.00	0.01	The primary RMS current measurement from each of the phase current channels.
Primary phase current ILx TRMS ("Pha.curr.ILx TRMS Pri")	A	0.00...1 000 000.00	0.01	The primary TRMS current (inc. harmonics up to 31 st) measurement from each of the phase current channels.

Table. 4.2.1 - 12. Secondary phase current measurements.

Name	Unit	Range	Step	Description
Secondary phase current ILx ("Sec.Pha.curr.ILx")	A	0.00...300.00	0.01	The primary RMS current measurement from each of the phase current channels.
Secondary phase current ILx TRMS ("Pha.curr.ILx TRMS Sec")	A	0.00...300.00	0.01	The primary TRMS current (inc. harmonics up to 31 st) measurement from each of the phase current channels.

Table. 4.2.1 - 13. Phase angle measurements.

Name	Unit	Range	Step	Description
Phase angle ILx ("Pha.angle ILx")	deg	0.00...360.00	0.01	The phase angle measurement from each of the three phase current inputs.

Table. 4.2.1 - 14. Per-unit residual current measurements.

Name	Unit	Range	Step	Description
Residual current I0x ("Res.curr.I0x")	× In	0.00...1 250.00	0.01	The RMS current measurement (in p.u.) from the residual current channel I01 or I02.
Calculated I0	× In	0.00...1 250.00	0.01	The RMS current measurement (in p.u.) from the calculated I0 current channel.
Phase current I0x TRMS ("Res.curr.I0x TRMS")	× In	0.00...1 250.00	0.01	The TRMS current (inc. harmonics up to 31 st) measurement (in p.u.) from the residual current channel I01 or I02.
Peak-to-peak current I0x ("P-P curr.I0x")	× In	0.00...500.00	0.01	The peak-to-peak current measurement (in p.u.) from the residual current channel I01 or I02.

Table. 4.2.1 - 15. Primary residual current measurements.

Name	Unit	Range	Step	Description
Primary residual current I0x ("Pri.Res.curr.I0x")	A	0.00...1 000 000.00	0.01	The primary RMS current measurement from the residual current channel I01 or I02.
Primary calculated I0 ("Pri.calc.I0")	A	0.00...1 000 000.00	0.01	The primary RMS current measurement from the calculated current channel I0.
Primary residual current I0x TRMS ("Res.curr.I0x TRMS Pri")	A	0.00...1 000 000.00	0.01	The TRMS current (inc. harmonics up to 31 st) measurement from the primary residual current channel I01 or I02.

Table. 4.2.1 - 16. Secondary residual current measurements.

Name	Unit	Range	Step	Description
Secondary residual current I0x ("Sec.Res.curr.I0x")	A	0.00...300.00	0.01	The secondary RMS current measurement from the residual current channel I01 or I02.
Secondary calculated I0 ("Sec.calc.I0")	A	0.00...300.00	0.01	The secondary RMS current measurement from the calculated current channel I0.
Secondary residual current I0x TRMS (Res.curr.I0x TRMS Sec")	A	0.00...300.00	0.01	The secondary TRMS current (inc. harmonics up to 31 st) measurement from the secondary residual current channel I01 or I02.

Table. 4.2.1 - 17. Residual phase angle measurements.

Name	Unit	Range	Step	Description
Residual current angle I0x ("Res.curr.angle I0x")	deg	0.00...360.00	0.01	The residual current angle measurement from the I01 or I02 current input.
calc.I0 Pha.angle	deg	0.00...360.00	0.01	The calculated residual current angle measurement.

Table. 4.2.1 - 18. Per-unit sequence current measurements.

Name	Unit	Range	Step	Description
Positive sequence current	× In	0.00...1 250.00	0.01	The measurement (in p.u.) from the calculated positive sequence current.
Negative sequence current	× In	0.00...1 250.00	0.01	The measurement (in p.u.) from the calculated negative sequence current.
Zero sequence current	× In	0.00...1 250.00	0.01	The measurement (in p.u.) from the calculated zero sequence current.

Table. 4.2.1 - 19. Primary sequence current measurements.

Name	Unit	Range	Step	Description
Primary positive sequence current ("Pri.Positivesequence curr.")	A	0.00...1 000 000.00	0.01	The primary measurement from the calculated positive sequence current.
Primary negative sequence current ("Pri.Negative sequence curr.")	A	0.00...1 000 000.00	0.01	The primary measurement from the calculated negative sequence current.
Primary zero sequence current ("Pri.Zero sequence curr.")	A	0.00...1 000 000.00	0.01	The primary measurement from the calculated zero sequence current.

Table. 4.2.1 - 20. Secondary sequence current measurements.

Name	Unit	Range	Step	Description
Secondary positive sequence current ("Sec.Positive sequence curr.")	A	0.00...300.00	0.01	The secondary measurement from the calculated positive sequence current.
Secondary negative sequence current ("Sec.Negative sequence curr")	A	0.00...300.00	0.01	The secondary measurement from the calculated negative sequence current.

Name	Unit	Range	Step	Description
Secondary zero sequence current ("Sec.Zero sequence curr.")	A	0.00...300.00	0.01	The secondary measurement from the calculated zero sequence current.

Table. 4.2.1 - 21. Sequence phase angle measurements.

Name	Unit	Range	Step	Description
Positive sequence current angle ("Positive sequence curr.angle")	deg	0.00...360.00	0.01	The calculated positive sequence current angle.
Negative sequence current angle ("Negative sequence curr.angle")	deg	0.00...360.00	0.01	The calculated negative sequence current angle.
Zero sequence current angle ("Zero sequence curr.angle")	deg	0.00...360.00	0.01	The calculated zero sequence current angle.

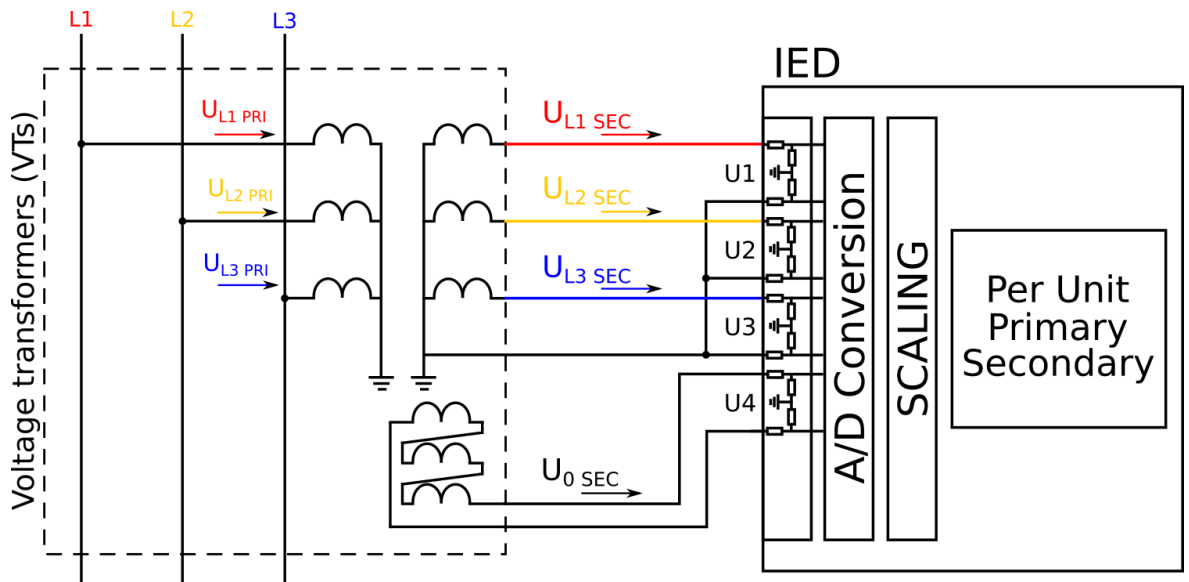
Table. 4.2.1 - 22. Harmonic current measurements.

Name		Range	Step	Description
Harmonics calculation values ("Harm Abs.or Perc.")	-	0: Percent 1: Absolute	-	Defines whether the harmonics are calculated as percentage or absolute values.
Harmonics display	-	0: Per unit 1: Primary A 2: Secondary A	-	Defines how the harmonics are displayed: in p.u values, as primary current values, or as secondary current values.
Maximum harmonics value ("Ixx maximum harmonic")	A	0.00...100 000.00	0.01	Displays the maximum harmonics value of the selected current input I _{Lx} or I _{0x} .
Fundamental frequency ("Ixx fundamental")	A	0.00...100 000.00	0.01	Displays the current value of the fundamental frequency (RMS) from the selected current input I _{Lx} or I _{0x} .
Ixx harmonics (2 nd ...31 st harmonic)	A	0.00...100 000.00	0.01	Displays the selected harmonic from the current input I _{Lx} or I _{0x} .
Ixx Amplitude THD	%	0.000...100.000	0.001	Amplitude ratio THD voltage. Recognized by IEC.
Ixx Power THD	%	0.000...100.000	0.001	Power ratio THD voltage. Recognized by the IEEE.

4.2.2 Voltage measurement and scaling

The voltage measurement module (VT module, or VTM) is used for measuring the voltages from voltage transformers. The measured values are processed into the measurement database and they are used by measurement and protection functions (the protection function availability depends of the device type). It is essential to understand the concept of voltage measurements to be able to get correct measurements.

Figure. 4.2.2 - 13. Voltage measurement terminology



PRI: The primary voltage, i.e. the voltage in the primary circuit which is connected to the primary side of the voltage transformer.

SEC: The secondary voltage, i.e. the voltage which the voltage transformer transforms according to the ratio. This voltage is measured by the device.

For the measurements to be correct the user needs to ensure that the measurement signals are connected to the correct inputs, that the voltage direction correct, and that the scaling is set correctly.

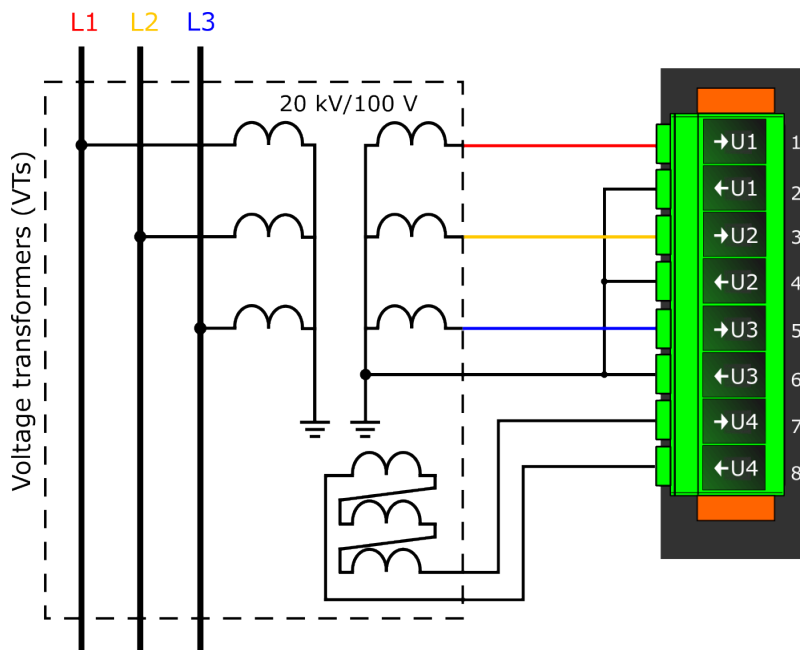
The device calculates the scaling factors based on the set VT primary, and secondary voltage values. The device measures secondary voltages, which are the voltage outputs from the VT installed into the application's primary circuit. The voltage can be measured directly from the system as well (up to 400 V nominal line to neutral voltage). When connecting voltage directly, measuring mode must be set to 3LN+U4 mode. The rated primary and secondary voltages of the VT need to be set for the device to "know" the primary and per-unit values. In modern protection devices this scaling calculation is done internally after the voltage transformer's primary and secondary voltages are set.

Normally, the primary line-to-line voltage rating for VTs is 400 V...60 kV, while the secondary voltage ratings are 100 V...210 V. Non-standard ratings can also be directly connected as the scaling settings are flexible and have large ranges.

Example of VT scaling

The following figure presents how VTs are connected to the device's measurement inputs. It also shows the VT ratings. In the figure below, three line-to-neutral voltages are connected along with the zero sequence voltage; therefore, the 3LN+U4 mode must be selected and the U4 channel must be set as U0. Other possible connections are presented later in this chapter.

Figure. 4.2.2 - 14. Connections.



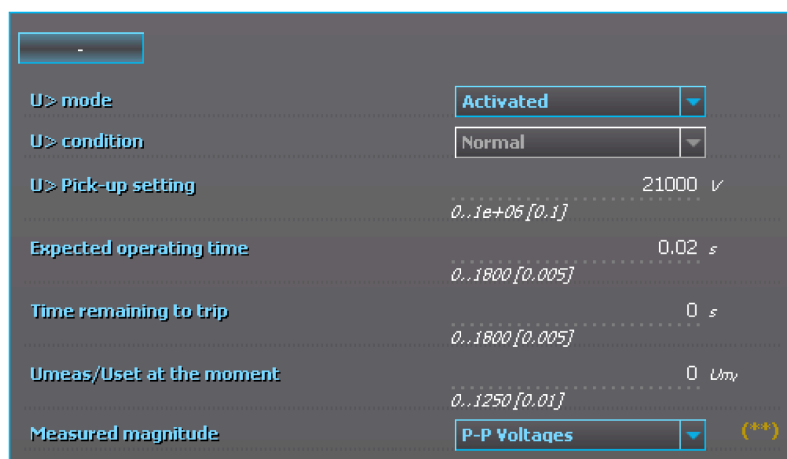
The following table presents the initial data of the connection.

Table. 4.2.2 - 23. Initial data.

Phase voltage VT - VT primary: 20 000 V - VT secondary: 100 V	Zero sequence voltage VT - U4 VT primary: 20 000 V - U4 VT secondary: 100 V
- the zero sequence voltage is connected similarly to line-to-neutral voltages (+U0). - in case wiring is incorrect, all polarities can be individually switched by 180 degrees in the device.	

If the protection is voltage-based, the supervised voltage can be based either on line-to-line voltages or on line-to-earth voltages. This selection is defined in the "Measured magnitude" of each protection stage menu separately (*Protection* → *Voltage* → [protection stage menu] → *INFO*; see the image below). The number of available protection functions depends on the device type.

Figure. 4.2.2 - 15. Selecting the measured magnitude.

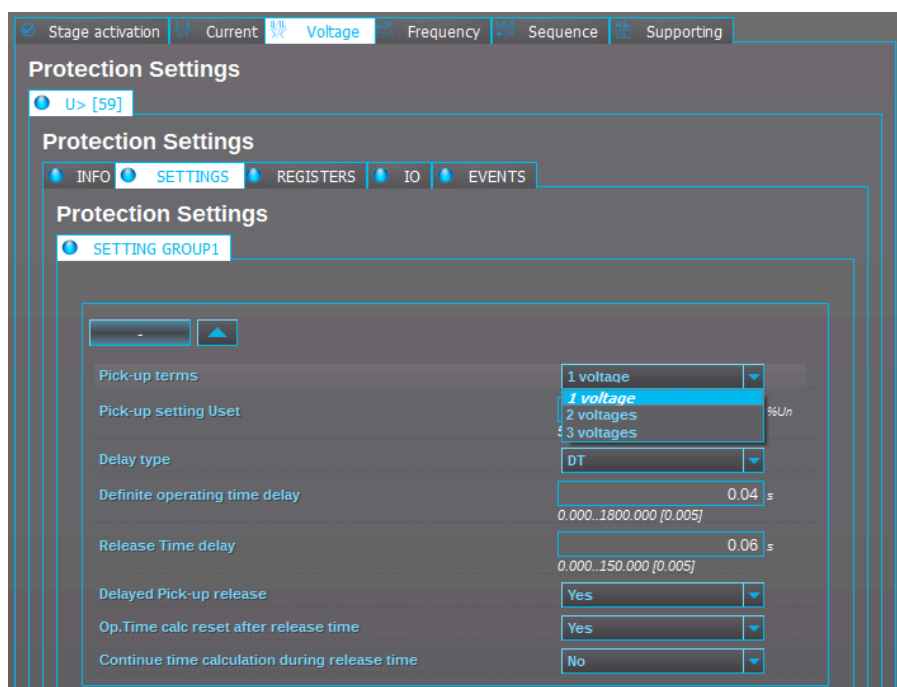


Voltage protection itself is based on the nominal voltage. A 20 000 V nominal voltage equals a 100 % setting in voltage-based protection functions. A 120 % trip setting in the overvoltage stage equals to 24 000 V on the primary level (in this case a 20 % increase equals 4 000 V).

Once the settings have been sent to the device, device calculates the scaling factors and displays them for the user. The "VT scaling factor P/S" describes the ratio between the primary voltage and the secondary voltage. The per-unit scaling factors ("VT scaling factor p.u.") for both primary and secondary values are also displayed.

The triggering of a voltage protection stage can be based on one, two, or three voltages (the "Pick-up terms" setting at *Protection* → *Voltage* → [protection stage menu] → *Settings*). Fault loops are either line-to-line or line-to-neutral according to the "Measured magnitude" setting. As a default, the activation of any one voltage trips the voltage protection stage.

Figure. 4.2.2 - 16. Selecting the operating mode.

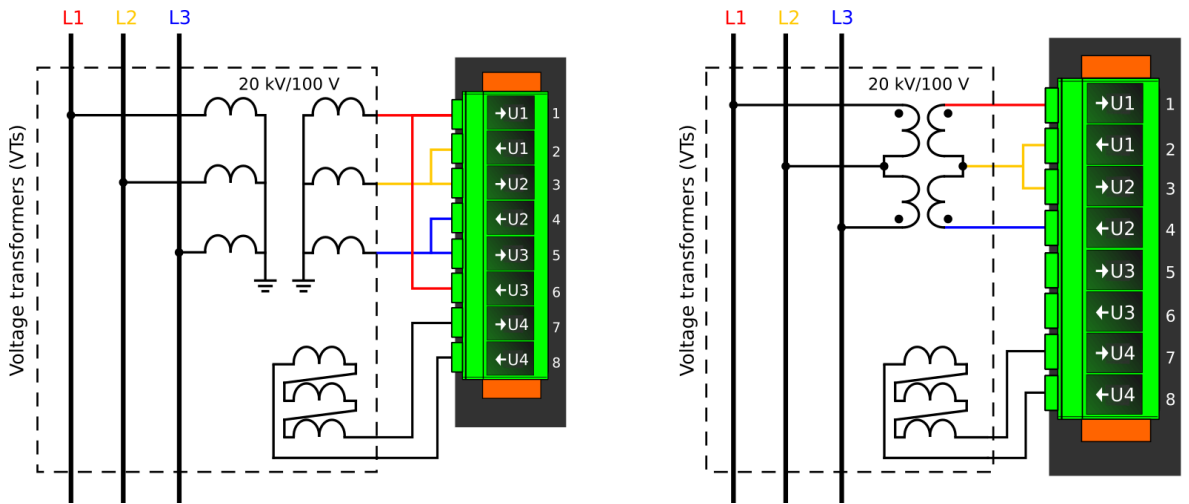


There are several different ways to use all four voltage channels. The voltage measurement modes are the following:

- 3LN+U4 (three line-to-neutral voltages and U4 can be used for either zero sequence voltage or synchrochecking)
- 3LL+U4 (three line-to-line voltages and U4 can be used either for zero sequence voltage or synchrochecking)
- 2LL+U3+U4 (two line-to-line voltages and the U3 and the U4 channels can be used for synchrochecking, zero sequence voltage, or for both)

The 3LN+U0 is the most common voltage measurement mode. See below for example connections of voltage line-to-line measurement (3LL on the left, 2LL on the right).

Figure. 4.2.2 - 17. Example connections for voltage line-to-line measurement.

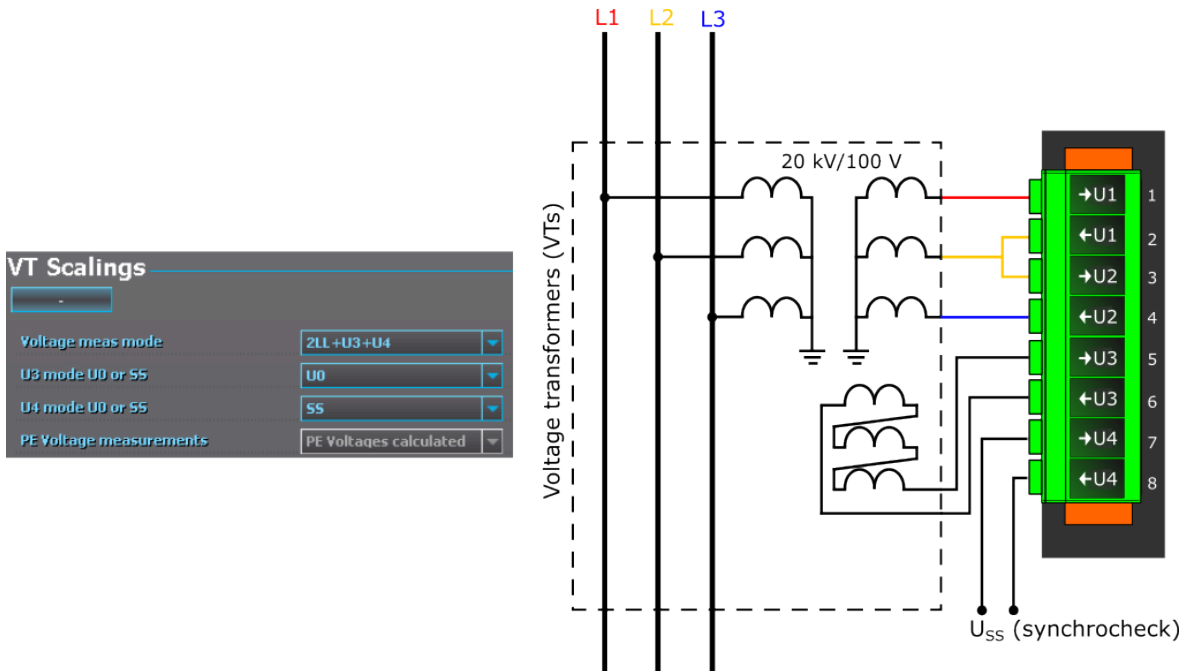


If only two line-to-line voltages are measured, the third one (U_{L31}) is calculated based on the U_{L12} and U_{L23} vectors. When measuring line-to-line voltages, the line-to-neutral voltages can also be calculated as long as the value of U_0 is measured and known.

The voltage measurement channel U4 can also be used to measure either the zero sequence voltage (U_0) or the side 2 voltage of the circuit breaker (Synchrocheck). If the 2LL+U3+U4 mode is selected, the third channel (U3) can be used for this purpose. Please note that U_0 can only be measured by using a single channel.

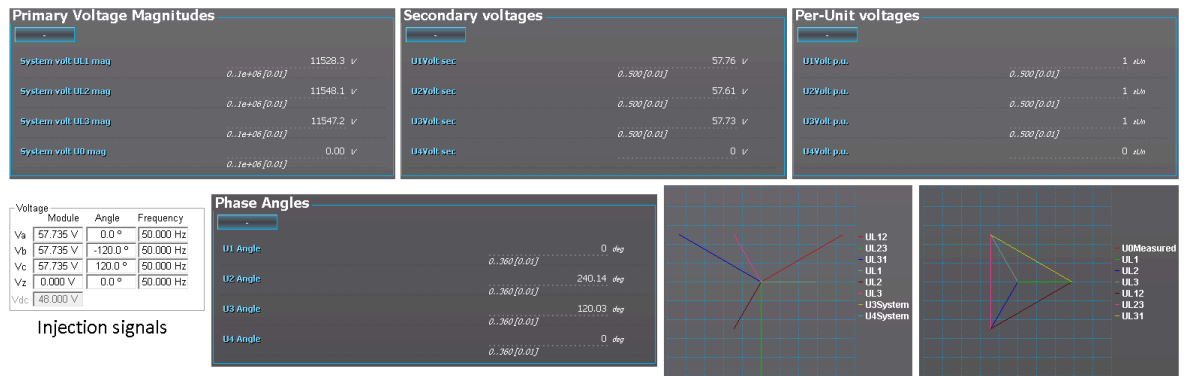
In the image below is an example of 2LL+U0+SS, that is, two line-to-line measurements with the zero sequence voltage and voltage from side 2 for Synchrocheck. Since U_0 is available, line-to-neutral voltages can be calculated.

Figure. 4.2.2 - 18. 2LL+U0+SS settings and connections.



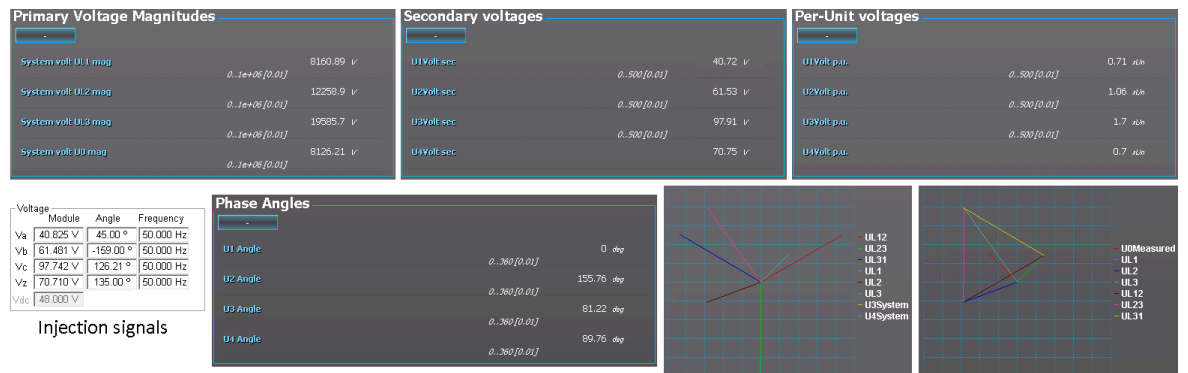
The image collection below presents the device's behavior when nominal voltage is injected into the device via secondary test equipment. The measurement mode is 3LN+U4 which means that the device is measuring line-to-neutral voltages. The VT scaling has been set to 20 000 : 100 V. The U4 channel measures the zero sequence voltage which has the same ratio (20 000 : 100 V).

Figure. 4.2.2 - 19. Measurement behavior when nominal voltage injected.



The image collection below presents the device's behavior when voltage is injected into the device via secondary test equipment during an earth fault. The measurement mode is 3LN+U4 which means that the device is measuring line-to-neutral voltages. The VT scaling has been set to 20 000 : 100 V. The U4 channel measures the zero sequence voltage which has the same ratio (20 000 : 100 V).

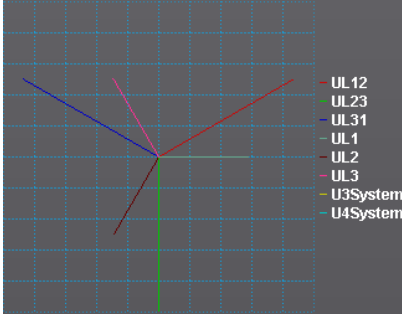
Figure. 4.2.2 - 20. Device behavior when voltage injected during an earth fault.



Troubleshooting

When the measured voltage values differ from the expected voltage values, the following table offers possible solutions for the problems.

Problem	Check / Resolution
The measured voltage amplitude in all phases does not match the injected voltage.	The scaling settings or the voltage measurement mode may be wrong, check that the settings match with the connected voltage transformer (<i>Measurement</i> → <i>Transformers</i> → <i>VT Module</i>).
The measured voltage amplitude does not match one of the measured phases./ The calculated U0 is measured even though it should not.	Check the wiring connections between the injection device or the VTs and the device.

Problem	Check / Resolution
<p>The measured voltage amplitudes are OK but the angles are strange./</p> <p>The voltage unbalance protection trips immediately after activation./</p> <p>The earth fault protection trips immediately after it is activated and voltage calculated.</p>	<p>The voltages are connected to the measurement module but the order or polarity of one or all phases is incorrect. In device settings, go to <i>Measurement</i> → <i>Phasors</i> and check the "System voltage vectors" diagram. When all connections are correct, the diagram (symmetric feeding) should look like this:</p> 

Settings

Table. 4.2.2 - 24. Settings of the VT scaling.

Name	Unit	Range	Step	Default	Description
Voltage measurement mode	-	0: 3LN+U4 1: 3LL+U4 2: 2LL+U3+U4	-	0: 3LN+U4	The device's voltage wiring method. The voltages are scaled according the set voltage measurement mode.
U3 mode U0 or SS	-	0: Not Used 1: U0 2: SS	-	0: Not Used	The voltage channel U3 can be used to measure zero sequence voltage (U0) or the Synchrocheck voltage (SS). If neither is needed, the (default) option "Not Used" should be active. This setting is only valid if the "2LL+U3+U4" mode is selected.
U0 (U3) Measured from	-	0: Broken Delta 1: Neutral point 2: Open delta	-	0: Broken delta	Defines how the secondary voltage is scaled to the primary. Does not affect how protection operates, it only affects the displayed primary voltages. This parameter is visible when the "U3 mode U0 or SS" has been set to the "U0" mode.
U4 mode U0 or SS	-	0: Not Used 1: U0 2: SS	-	0: Not Used	The voltage channel U4 can be used to measure zero sequence voltage (U0) or the Synchrocheck voltage (SS). If neither is needed, the (default) option "Not Used" should be active.
U0 (U4) Measured from	-	0: Broken Delta 1: Neutral point 2: Open delta	-	0: Broken delta	Defines how the secondary voltage is scaled to the primary. Does not affect how protection operates, it only affects the displayed primary voltages. This parameter is visible when the "U4 mode U0 or SS" has been set to the "U0" mode.
Voltage memory	-	0: Disabled 1: Activated	-	0: Disabled	Activates the voltage memory. The "Voltage memory" chapter describes the function in more detail.

Name	Unit	Range	Step	Default	Description
P-E Voltage measurements	-	0: No P-E voltages available 1: P-E Voltages calculated 2: P-E Voltages measured	-	-	Indicates whether or not phase-to-earth voltages are available. Also indicates whether P-E voltages are measured from the voltage channels directly or if they are calculated from measured line-to-line and zero sequence voltages.
VT primary	V	1.0...1 000 000.0	0.1	20 000.0	The rated primary voltage of the voltage transformer.
VT secondary	V	0.2...400.0	0.1	100.0	The rated secondary voltage of the voltage transformer.
U3 Res/SS VT primary	V	1.0...1 000 000	0.1	20 000.0	The primary nominal voltage of the connected U0 or SS VT. This setting is only valid if the "2LL+U3+U4" mode is selected.
U3 Res/SS VT secondary	V	0.2...400.0	0.1	100.0	The secondary nominal voltage of the connected U0 or SS VT. This setting is only valid if the "2LL+U3+U4" mode is selected.
U4 Res/SS VT primary	V	1.0...1 000 000.0	0.1	20 000.0	The primary nominal voltage of the connected U0 or SS VT.
U4 Res/SS VT secondary	V	0.2...400.0	0.1	100.0	The secondary nominal voltage of the connected U0 or SS VT.
U1 Polarity	-	0: - 1: Invert	-	0: -	The selection of the first voltage measurement channel's (U1) polarity (direction). The default setting is for the positive voltage to flow from connector 1 to connector 2, with the secondary voltage's starpoint pointing towards the line.
U2 Polarity	-	0: - 1: Invert	-	0: -	The selection of the second voltage measurement channel's (U2) polarity (direction). The default setting is for the positive voltage to flow from connector 1 to connector 2, with the secondary voltage's starpoint pointing towards the line.
U3 Polarity	-	0: - 1: Invert	-	0: -	The selection of the third voltage measurement channel's (U3) polarity (direction). The default setting is for the positive voltage to flow from connector 1 to connector 2, with the secondary voltage's starpoint pointing towards the line.
U4 Polarity	-	0: - 1: Invert	-	0: -	The selection of the fourth voltage measurement channel's (U4) polarity (direction). The default setting is for the positive voltage to flow from connector 1 to connector 2, with the secondary voltage's starpoint pointing towards the line.
VT scaling factor P/S	-	-	-	-	A feedback value; the calculated scaling factor that is the ratio between the primary voltage and the secondary voltage.
VT scaling factor p.u. Pri	-	-	-	-	A feedback value; the scaling factor for the primary voltage's per-unit value.
VT scaling factor p.u. Sec	-	-	-	-	A feedback value; the scaling factor for the secondary voltage's per-unit value.

Name	Unit	Range	Step	Default	Description
U3 VT scaling factor P/S U0/SS	-	-	-	-	A feedback value; the scaling factor that is the ratio between the U3 channel's primary and secondary voltages. This setting is only valid if the "2LL+U3+U4" mode is selected.
U3 scaling factor p.u. Pri	-	-	-	-	A feedback value for channel U3; the scaling factor for the primary voltage's per-unit value. This setting is only valid if the "2LL+U3+U4" mode is selected.
U3 scaling factor p.u. Sec	-	-	-	-	A feedback value for channel U3; the scaling factor for the secondary voltage's per-unit value. This setting is only valid if the "2LL+U3+U4" mode is selected.
U4 VT scaling factor P/S U0/SS	-	-	-	-	A feedback value; the scaling factor that is the ration between the U4 channel's primary and secondary voltages. This setting is only valid is the "2LL+U3+U4" mode is selected.
U4 scaling factor p.u. Pri	-	-	-	-	A feedback value for channel U4; the scaling factor for the primary voltage's per-unit value. This setting is only valid if the "2LL+U3+U4" mode is selected.
U4 scaling factor p.u. Sec	-	-	-	-	A feedback value for channel U4; the scaling factor for the secondary voltage's per-unit value. This setting is only valid if the "2LL+U3+U4" mode is selected.

Measurements

The following measurements are available in the measured voltage channels.

Table. 4.2.2 - 25. Per-unit voltage measurements.

Name	Unit	Range	Step	Description
Voltage Ux ("UxVolt p.u.")	$\times U_n$	0.00...500.00	0.01	The RMS voltage measurement (in p.u.) from each of the voltage channels.
Voltage Ux TRMS ("UxVolt TRMS p.u.")	$\times U_n$	0.00...500.00	0.01	The TRMS voltage (inc. harmonics up to 31 st) measurement (in p.u.) from each of the voltage channels.

Table. 4.2.2 - 26. Secondary voltage measurements.

Name	Unit	Range	Step	Description
Secondary voltage Ux ("Ux Volt sec")	V	0.00...500.00	0.01	The secondary RMS voltage measurement from each of the voltage channels.
Secondary voltage Ux TRMS ("UxVolt TRMS sec")	V	0.00...500.00	0.01	The secondary TRMS voltage (inc. harmonics up to 31 st) measurement from each of the voltage channels.

Table. 4.2.2 - 27. Voltage phase angle measurements.

Name	Unit	Range	Step	Description
Ux Angle	deg	0.00...360.00	0.01	The phase angle measurement from each of the four voltage inputs.

Table. 4.2.2 - 28. Per-unit sequence voltage measurements.

Name	Unit	Range	Step	Description
Positive sequence voltage ("Pos.seq.Volt.p.u.")	\times U_n	0.00...500.00	0.01	The measurement (in p.u.) from the calculated positive sequence voltage.
Negative sequence voltage ("Neg.seq.Volt.p.u.")	\times U_n	0.00...500.00	0.01	The measurement (in p.u.) from the calculated negative sequence voltage.
Zero sequence voltage ("Zero.seq.Volt.p.u.")	\times U_n	0.00...500.00	0.01	The measurement (in p.u.) from the calculated zero sequence voltage.

Table. 4.2.2 - 29. Primary sequence voltage measurements.

Name	Unit	Range	Step	Description
Primary positive sequence voltage ("Pos.seq.Volt.pri")	V	0.00...1 000 000.00	0.01	The primary measurement from the calculated positive sequence voltage.
Primary negative sequence voltage ("Neg.seq.Volt.pri")	V	0.00...1 000 000.00	0.01	The primary measurement from the calculated negative sequence voltage.
Primary zero sequence voltage ("Zero.seq.Volt.pri")	V	0.00...1 000 000.00	0.01	The primary measurement from the calculated zero sequence voltage.

Table. 4.2.2 - 30. Secondary sequence voltage measurements.

Name	Unit	Range	Step	Description
Secondary positive sequence voltage ("Pos.seq.Volt.sec")	V	0.00...4 800.00	0.01	The secondary measurement from the calculated positive sequence voltage.
Secondary negative sequence voltage ("Neg.seq.Volt.sec")	V	0.00...4 800.00	0.01	The secondary measurement from the calculated negative sequence voltage.
Secondary zero sequence voltage ("Zero.seq.Volt.sec")	V	0.00...4 800.00	0.01	The secondary measurement from the calculated zero sequence voltage.

Table. 4.2.2 - 31. Sequence voltage angle measurements.

Name	Unit	Range	Step	Description
Positive sequence voltage angle ("Pos.seq.Volt.Angle")	deg	0.00...360.00	0.01	The calculated positive sequence voltage angle.
Negative sequence voltage angle ("Neg.seq.Volt.Angle")	deg	0.00...360.00	0.01	The calculated negative sequence voltage angle.
Zero sequence voltage angle ("Zero.seq.Volt.Angle")	deg	0.00...360.00	0.01	The calculated zero sequence voltage angle.

Table. 4.2.2 - 32. System primary voltage measurements.

Name	Unit	Range	Step	Description
System voltage magnitude UL12 ("System volt UL12 mag")	V	0.00...1000000.00	0.01	The primary RMS line-to-line UL12 voltage (measured or calculated). You can also select the row where the unit for this is kV.
System voltage magnitude UL23 ("System volt UL23 mag")	V	0.00...1000000.00	0.01	The primary RMS line-to-line UL23 voltage (measured or calculated). You can also select the row where the unit for this is kV.
System voltage magnitude UL31 ("System volt UL31 mag")	V	0.00...1000000.00	0.01	The primary RMS line-to-line UL31 voltage (measured or calculated). You can also select the row where the unit for this is kV.
System voltage magnitude UL1 ("System volt UL1 mag")	V	0.00...1000000.00	0.01	The primary RMS line-to-neutral UL1 voltage (measured or calculated). You can also select the row where the unit for this is kV.
System voltage magnitude UL2 ("System volt UL2 mag")	V	0.00...1000000.00	0.01	The primary RMS line-to-neutral UL2 voltage (measured or calculated). You can also select the row where the unit for this is kV.

Name	Unit	Range	Step	Description
System voltage magnitude UL3 ("System volt UL3 mag")	V	0.00...1000 000.00	0.01	The primary RMS line-to-neutral UL3 voltage (measured or calculated). You can also select the row where the unit for this is kV.
System voltage magnitude U0 ("System volt U0 mag")	V	0.00...1000 000.00	0.01	The primary RMS zero sequence U0 voltage (measured or calculated). You can also select the row where the unit for this is kV. There is also a row where the unit is %.
System voltage magnitude U3 ("System volt U3 mag")	V	0.00...1000 000.00	0.01	The primary measured RMS Synchrocheck voltage (SS). This magnitude is displayed only when the "2LL+U3+U4" mode is selected and both U3 and U4 are in use. You can also select the row where the unit for this is kV.
System voltage magnitude U4 ("System volt U4 mag")	V	0.00...1000 000.00	0.01	The primary measured RMS Synchrocheck voltage (SS). This magnitude is displayed only when the "2LL+U3+U4" mode is selected and both U3 and U4 are in use. You can also select the row where the unit for this is kV.

Table. 4.2.2 - 33. Primary system voltage angles.

Name	Unit	Range	Step	Description
System voltage angle UL12 ("System volt UL12 ang")	deg	0.00...360.00	0.01	The primary line-to-line angle UL12 (measured or calculated).
System voltage angle UL23 ("System volt UL23 ang")	deg	0.00...360.00	0.01	The primary line-to-line angle UL23 (measured or calculated).
System voltage angle UL31 ("System volt UL31 ang")	deg	0.00...360.00	0.01	The primary line-to-line angle UL23 (measured or calculated).

Name	Unit	Range	Step	Description
System voltage angle UL1 ("System volt UL1 ang")	deg	0.00...360.00	0.01	The primary line-to-neutral angle UL1 (measured or calculated).
System voltage angle UL2 ("System volt UL2 ang")	deg	0.00...360.00	0.01	The primary line-to-neutral angle UL2 (measured or calculated).
System voltage angle UL3 ("System volt UL3 ang")	deg	0.00...360.00	0.01	The primary line-to-neutral angle UL3 (measured or calculated).
System voltage angle U0 ("System volt U0 ang")	deg	0.00...360.00	0.01	The primary zero sequence angle U0 (measured or calculated).
System voltage angle U3 ("System volt U3 ang")	deg	0.00...360.00	0.01	The primary measured Synchrocheck angle SS. This magnitude is only valid when the "2LL+U3+U4" mode is selected and both U3 and U4 are in use.
System voltage angle U4 ("System volt U4 ang")	deg	0.00...360.00	0.01	The primary measured Synchrocheck angle SS. This magnitude is displayed only when the "2LL+U3+U4" mode is selected and both U3 and U4 are in use.

Table. 4.2.2 - 34. Harmonic voltage measurements.

Name	Unit	Range	Step	Description
Harmonics calculation values ("Harm Abs.or Perc.")	-	0: Percent 1: Absolute	-	Defines whether the harmonics are calculated as percentages or absolute values.
Harmonics display	-	0: Per unit 1: Primary V 2: Secondary V	-	Defines how the harmonics are displayed: in p.u. values, as primary voltage values, or as secondary voltage values.
Maximum harmonics value ("UxMaxH")	V	0.00...100 000.00	0.01	Displays the maximum harmonics value of the selected voltage input Ux.

Name	Unit	Range	Step	Description
Fundamental frequency ("Ux Fund")	V	0.00...100 000.00	0.01	Displays the voltage value of the fundamental frequency value (RMS) of the selected voltage input Ux.
Ux harmonics (2 nd ...31 st harmonic)	V	0.00...100 000.00	0.01	Displays the selected harmonic from the voltage input Ux.
Ux Amplitude THD	%	0.000...100.000	0.001	Amplitude ratio THD voltage. Recognized by IEC.
Ux Power THD	%	0.000...100.000	0.001	Power ratio THD voltage. Recognized by the IEEE.

4.2.3 Voltage memory

Certain protection functions (such as impedance or directional overcurrent) use the relay's measured current and voltage to determine whether the electrical network fault appears to be inside the protected area. The determination is made by comparing the angle between the operating quantity (zone/tripping area) and the actual measured quantity. The function then produces an output when the required terms are met.

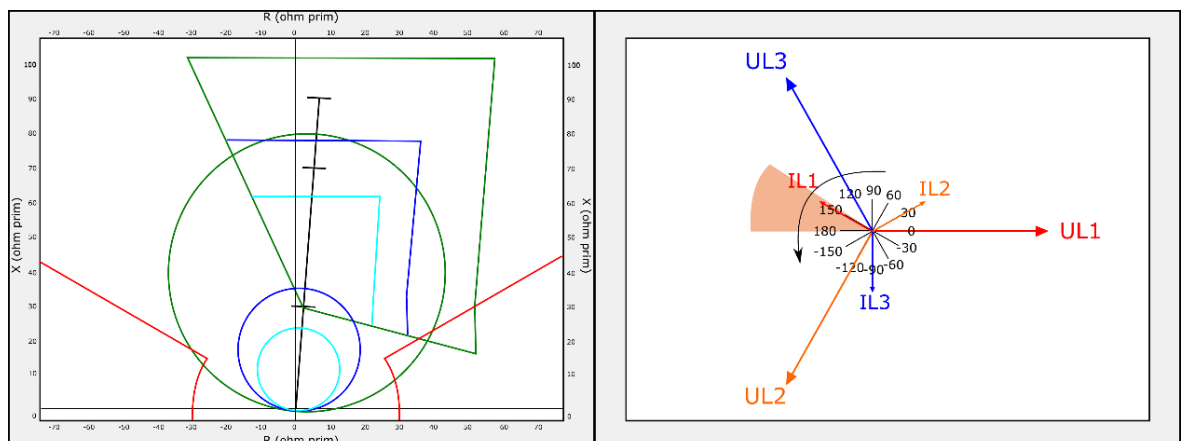
In close-in faults the system voltage on the secondary side may fall down to a few volts or close to nothing. In such cases, when the measured voltage is absent, the fault direction cannot be solved. As backup, non-directional protection can be used for tripping, but in such cases the selectivity of the network will reduce. However, an angle memory for voltage can be used to prevent this from happening. An adjustable voltage level with pre-fault voltage angles can be used as a reference for fault direction and/or distance. The reference can be set manually for duration. Thanks to the configurable voltage memory even time-delayed backup tripping can be initiated.

The user can activate voltage memory (and find all related settings) by following this path in relay settings: *Measurement* → *Transformers* → *VT Module (3U/4U) 1* → *Voltage memory* ("Activated"/"Disabled").

The activation of voltage memory depends of following criteria:

1. All used line-to-line or line-to-neutral voltages need to be below the set value for the "VMEM activation voltage" parameter.
2. At least one phase current must be above the set value for the "Measured current condition 3I>" parameter. This setting limit is optional.

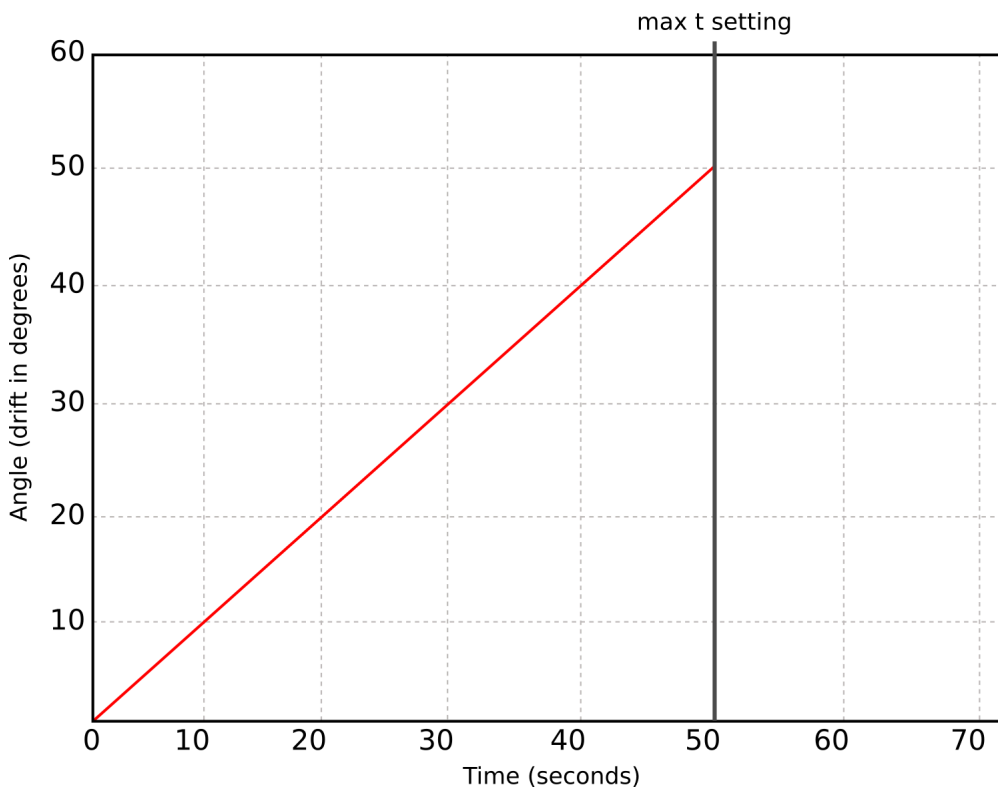
Figure. 4.2.3 - 21. Distance protection characteristics and directional overcurrent.



Voltage memory activates when the above-mentioned criteria are met. Voltage memory uses the "VMEM activation voltage" parameter as voltage amplitude even when the actual measured voltage has decreased below it or close to zero. The angle used by this function is the one captured the moment before the fault occurred and voltage memory was activated. When voltage memory is activated, the output "Voltage memory on" signal is activated. This signal can be found in the device's I/O matrix.

While voltage memory is active, voltages are absent and therefore angle measurement is not possible. Healthy state angles (before a fault) are used during a fault. This is why a drift between the assumed voltage angle and the actual measured phase current angle takes place. While voltage memory is used, the angle of phase currents drifts approximately one degree for each passing second (see the graph below).

Figure. 4.2.3 - 22. Voltage angle drift.



The blocking signal for voltage memory can be found among other stage-related settings in the tab *VT Module (3U/4U) 1*. The blocking signal is checked in the beginning of each program cycle.

Measured input

The function block uses analog voltage and current measurements' RMS values.

Table. 4.2.3 - 35. Measurement inputs of the voltage memory function.

Signal	Description	Time base
IL1RMS	RMS measurement of phase L1 (A) current	5ms
IL2RMS	RMS measurement of phase L2 (B) current	5ms
IL3RMS	RMS measurement of phase L3 (C) current	5ms
U ₁ RMS	RMS measurement of voltage U ₁ /V	5ms

Signal	Description	Time base
U ₂ RMS	RMS measurement of voltage U ₂ /V	5ms
U ₃ RMS	RMS measurement of voltage U ₃ /V	5ms
U ₄ RMS	RMS measurement of voltage U ₄ /V	5ms

Voltage measurement modes 3LN and 3LL use three voltage inputs: channels U_A, U_B and U_C. When the voltage mode is set to 2LL, only two channels (U_A and U_B) are in use, and the memory is based on the line-to-line voltages U₁₂ and U₃₂. When the mode 2LL+U₀ is used, the memory is based on calculated phase-to-neutral voltages.

Pick-up

VMEM activation voltage and Measured current condition 3I>

When the voltage memory function is enabled, it activates when all line voltages drop below the "VMEM activation voltage" threshold limit. This limit can be set to be anything between 2...50 V AC. When "Measured current condition 3I>" is used, activation cannot be based on just the voltage. Therefore, at least one of the three-phase currents must also rise above the set current pick-up setting.

VMEM max active time

Voltage memory can be active for a specific period of time, set in "VMAX active time". It can be anything between 0.02...50.00 seconds. The function supports the definite time (DT) delay type. It depends on the application for how long the memory should be used. During massive bolted faults, the fault should be cleared and the breaker opened as soon as possible; therefore, a short operating time for voltage memory is usually applied. A typical delay for voltage memory is between 0.5...1.0 s. When the operating time passes and voltage memory is no longer used, directional overcurrent and/or distance protection goes to the unidirectional mode to secure a safe tripping. The memory uses longer operating times when a backup protection is applied (e.g. in distance-protection zones are farther away).

Forced CT f tracking on VMEM

While fixed frequency tracking is used, all protection stage-based sampling (apart from frequency protection) is based on a set fixed frequency such as 50 Hz or 60 Hz. When the frequency drops massively during a fault while angle memory is in use, it is also possible that the frequency of the system starts to fluctuate. In such cases, if current sampling of used protection stages is based on 50/60 Hz, there could be an error in current magnitude and in angle measurement. To minimize these errors, it is recommended that the frequency is measured and protection-based sampling from the current is performed while voltages are gone.

When the "Forced CT f tracking" parameter is activated and voltages are gone, the frequency from the selected current-based reference channel 3 (the current from IL3) is used for current sampling. This eliminates any possible measurement errors in the fixed frequency mode.

Figure. 4.2.3 - 23. Frequency reference channels.



For example, let us say a 500 A current is measured on the primary side while the fixed frequency is set to 50 Hz. This results in the frequency dropping to 46 Hz, while the actual current measurement would be 460 A. Therefore, the system would have an error of 40 A.

Events

The voltage memory function (abbreviated "M1VT" in event block names) generates events from the status changes in various activities. The user can select which event messages are stored in the main event buffer: ON, OFF, or both.

Table. 4.2.3 - 36. Event messages.

Event block name	Event names
M1VT1	Voltage memory enabled
M1VT1	Voltage memory disabled
M1VT1	Voltage low detected ON
M1VT1	Voltage low detected OFF
M1VT1	Current high detected ON
M1VT1	Current high detected OFF
M1VT1	Frequency tracked from CT ON
M1VT1	Frequency tracked from CT OFF
M1VT1	Using Voltage memory ON
M1VT1	Using Voltage memory OFF
M1VT1	Voltage memory blocked ON
M1VT1	Voltage memory blocked OFF

4.2.4 Power and energy calculation

The devices that are equipped with both a voltage and a current measurement card can calculate power, and can therefore have power-based protection and monitoring functions (the number of available functions depends of the device type). In addition to power calculations, energy magnitudes are also calculated.

Power is divided into three magnitudes: apparent power (S), active power (P) and reactive power (Q). Energy measurement calculates magnitudes for active and reactive energy. Energy can flow to the forward direction (exported) or to the reverse direction (imported).

If a unit has more than one CT measurement module, the user can choose which module's current measurement is used by the power calculation.

Line-to-neutral voltages available

Power is calculated from line-to-neutral voltages and phase currents. If line-to-line voltages are connected, the device can calculate line-to-neutral voltages based on the measured zero sequence voltage. The following equations apply for power calculations with the line-to-neutral mode and the line-to-line voltage mode (with U0 connected and measured):

Figure. 4.2.4 - 24. Three-phase power (S) calculation.

$$S_{L1} = U_{L1} \times I_{L1}$$

$$S_{L2} = U_{L2} \times I_{L2}$$

$$S_{L3} = U_{L3} \times I_{L3}$$

$$S = S_{L1} + S_{L2} + S_{L3}$$

Figure. 4.2.4 - 25. Three-phase active power (P) calculation.

$$P_{L1} = U_{L1} \times I_{L1} \cos \varphi$$

$$P_{L2} = U_{L2} \times I_{L2} \cos \varphi$$

$$P_{L3} = U_{L3} \times I_{L3} \cos \varphi$$

$$P = P_{L1} + P_{L2} + P_{L3}$$

In these equations, phi (φ) is the angle difference between voltage and current.

Figure. 4.2.4 - 26. Three-phase reactive power (Q) calculation.

$$Q_{L1} = U_{L1} \times I_{L1} \sin \varphi$$

$$Q_{L2} = U_{L2} \times I_{L2} \sin \varphi$$

$$Q_{L3} = U_{L3} \times I_{L3} \sin \varphi$$

$$Q = Q_{L1} + Q_{L2} + Q_{L3}$$

Active power can be to the forward or the reverse direction. The direction of active power can be indicated with the power factor (Cos (φ), or Cosine phi), which is calculated according the following formula:

$$3PH \text{ Cos}(\text{phi}) = P/S$$

$$L1 \text{ Cos}(\text{phi}) = P_{L1}/S_{L1}$$

$$L2 \text{ Cos}(\text{phi}) = P_{L2}/S_{L2}$$

$$L3 \text{ Cos}(\text{phi}) = P_{L3}/S_{L3}$$

The direction of reactive power is divided into four quadrants. Reactive power may be inductive or capacitive on both forward and reverse directions. Reactive power quadrant can be indicated with Tan (φ) (tangent phi), which is calculated according the following formula:


Name	Range	Step	Default	Description
3ph reactive energy measurement	0: Disabled 1: Enabled	-	0: Disabled	Enables/disables the reactive and apparent energy measurement.
3ph energy megas or kilos	0: Mega 1: Kilo	-	0: Mega	Defines whether energy is measured with the prefix 'kilo' (10^3) or 'mega' (10^6).
Edit energy values	0: Disabled 1: Enabled	-	0: Disabled	When this parameter is enabled it is possible to manually edit exported and imported active energy values. <div style="border: 1px solid black; padding: 5px; width: fit-content;">  <p>NOTICE! "E 3ph M or k" parameter has to be set to "kilo" for this feature to function.</p> </div>
Invert imp/exp energy directions	0: Not inverted 1: Inverted	-	0: Not inverted	Inverts the direction of imported and exported energy without affecting the direction of power calculation.
Nominal power kVA	0.10...500000.00kVA	0.01kVA	100kVA	Defines the nominal power of the protected object.
PQ Quadrant	0: Undefined 1: Q1 Fwd Ind 2: Q2 Rev Cap 3: Q3 Rev Ind 4: Q4 Fwd Cap	-	0: Undefined	Indicates what the power PQ quadrant is at that moment.
VA Quadrant	0: Undefined 1: Q1 Fwd Cap AV 2: Q2 Rev Ind AV 3: Q3 Rev Cap VA 4: Q4 Fwd Ind VA	-	0: Undefined	Indicates what the power VA quadrant is at that moment.
Reset energy calculators ("Reset 3ph Energies")	0: - 1: Reset	-	0: -	Resets the memory of the three-phase energy calculators. Goes automatically back to the "-" state after the reset is finished.
Phase active energy measurement	0: Disabled 1: Enabled	-	0: Disabled	Enables/disables the active energy per phase measurement.
Phase reactive energy measurement	0: Disabled 1: Enabled	-	0: Disabled	Enables/disables the reactive energy per phase measurement.
Phase energies megas or kilos	0: Mega 1: Kilo	-	0: Mega	Defines whether energy (per phase) is measured with the prefix 'kilo' (10^3) or 'mega' (10^6).
Reset energy calculators (per phase) ("Reset E per phase")	0: - 1: Reset	-	0: -	Resets the memory of the individual phase energy calculator. Goes automatically back to the "-" state after the reset is finished.

Table. 4.2.4 - 38. Energy Dose Counter 1 settings

Name	Range	Step	Default	Description
Energy dose counter mode	0: Disabled 1: Activated	-	0: Disabled	Enables/disables energy dose counters generally.
Energy dose counter LN mode	1: On 2: Blocked 3: Test 4: Test/Blocked 5: Off	-	0: On	Set mode of DOS block. This parameter is visible only when <i>Allow setting of individual LN mode</i> is enabled in <i>General</i> menu.
Energy dose counter LN behaviour	1: On 2: Blocked 3: Test 4: Test/Blocked 5: Off	-	-	Displays the mode of DOS block. This parameter is visible only when <i>Allow setting of individual LN mode</i> is enabled in <i>General</i> menu.
Clear pulse counter	0: - 1: Clear	-	0: -	Resets the "DC 1...4 Pulses sent" counters back to zero.
DC 1...4 enable	0: Disabled 1: Enabled	-	0: Disabled	Enables/disables the energy dose counter 1...4 individually.
DC 1...4 Input signal select	0: 3PH.Fwd.Act.EP 1: 3PH.Rev.Avt.EP 2: 3PH.Fwd.React.EQ.CAP 3: 3PH.Fwd.React.EQ.IND 4: 3PH.Rev.React.EQ.CAP 5: 3PH.Rev.React.EQ.IND	-	0: 3PH.Fwd.Act.EP	Selects whether the energy is active or reactive, whether the direction of the energy is forward or reverse, and whether reactive energy is inductive or capacitive.
DC 1...4 Input signal	$-1 \times 10^6 \dots 1 \times 10^6$	0.01	-	The total amount of energy consumed.
DC 1...4 Pulse magnitude	0...1800kW/var	0.005kW/ var	1kW/Var	The set pulse size. An energy pulse is given every time the set magnitude is exceeded.
DC 1...4 Pulse length	0...1800s	0.005s	1s	The total length of a control pulse.
DC1...4 Pulses sent	0...4 294 967 295	1	-	Indicates the total number of pulses sent.

Table. 4.2.4 - 39. DC 1...4 Pulse out settings

Name	Range	Step	Default	Description
DC 1...4 Pulse out	OUT1...OUTx	-	None selected	The selection of the controlled physical outputs.

Power measurements

The following power calculations are available when the voltage and the current cards are available.

Table. 4.2.4 - 40. Three-phase power calculations.

Name	Unit	Range	Step	Description
3PH Apparent power (S)	kVA	-1x10 ⁶ ...1x10 ⁶	0.01	The total three-phase apparent power in kilo-volt-ampere
3PH Active power (P)	kW	-1x10 ⁶ ...1x10 ⁶	0.01	The total three-phase active power in kilowatts
3PH Reactive power (Q)	kVar	-1x10 ⁶ ...1x10 ⁶	0.01	The total three-phase reactive power in kilovars
3PH Apparent power (S MVA)	MVA	-1x10 ⁵ ...1x10 ⁵	0.01	The total three-phase apparent power in megawatts
3PH Active power (P MW)	MW	-1x10 ⁵ ...1x10 ⁵	0.01	The total three-phase active power in mewatts
3PH Reactive power (QMVar)	MVar	-1x10 ⁵ ...1x10 ⁵	0.01	The total three-phase active power in megavars
3PH Tan(phi)	-	-1x10 ⁶ ...1x10 ⁶	0.01	The direction of three-phase active power
3PH Cos(phi)	-	-1x10 ⁶ ...1x10 ⁶	0.01	The direction of three-phase reactive power
3PH Power factor	-	-1x10 ⁶ ...1x10 ⁶	0.0001	The three-phase power factor

Table. 4.2.4 - 41. Single-phase power calculations (L1...L3).

Name	Unit	Range	Step	Description
Lx Apparent power (S)	kVA	-1x10 ⁶ ...1x10 ⁶	0.01	The apparent power of Phase Lx in kilo-volt-amperes
Lx Active power (P)	kW	-1x10 ⁶ ...1x10 ⁶	0.01	The active power of Phase Lx in kilowatts
Lx Reactive power (Q)	kVar	-1x10 ⁶ ...1x10 ⁶	0.01	The reactive power of Phase Lx kilovars
Lx Tan(phi)	-	-1x10 ⁶ ...1x10 ⁶	0.01	The direction of Phase Lx's active power
Lx Cos(phi)	-	-1x10 ⁶ ...1x10 ⁶	0.01	The direction of Phase Lx's reactive power
Lx Power factor	-	-1x10 ⁶ ...1x10 ⁶	0.0001	The power factor of Phase Lx

Energy measurements

The following energy calculations are available when the voltage and the current cards are available. Please note that the unit prefix is determined by the user's selection between 'kilo' and 'mega' in "Three-phase energy prefix ("E 3ph M or k")" under the general "Power and energy measurement settings".

Table. 4.2.4 - 42. Three-phase energy calculations.

Name	Range	Step	Description
Exported Active Energy (P) (kWh or MWh)	-999 999 995 904.00...999 999 995 904.00	0.01	The total amount of exported active energy.

Name	Range	Step	Description
Imported Active Energy (P) (kWh or MWh)	-999 999 995 904.00...999 999 995 904.00	0.01	The total amount of imported active energy.
Active Energy (P) Export/Import balance (kWh or MWh)	-999 999 995 904.00...999 999 995 904.00	0.01	The sum of imported and exported active energy.
Exported (Q) while Export (P) (kVarh or MVarh)	-999 999 995 904.00...999 999 995 904.00	0.01	The total amount of exported reactive energy while active power is exported.
Imported (Q) while Export (P). (kVarh or MVarh)	-999 999 995 904.00...999 999 995 904.00	0.01	Total amount of imported reactive energy while active energy is exported.
Reactive energy (Q) balance while export (P) (kVarh or MVarh)	-999 999 995 904.00...999 999 995 904.00	0.01	The sum of imported and exported reactive capacitive energy while active power is exported.
Exported (Q) while Import (P) (kVarh or MVarh)	-999 999 995 904.00...999 999 995 904.00	0.01	The total amount of exported reactive energy while active energy is imported.
Imported (Q) while Import (P) (kVarh or MVarh)	-999 999 995 904.00...999 999 995 904.00	0.01	The total amount of imported reactive energy while active energy is imported.
Reactive energy (Q) balance while Import (P) (kVarh or MVarh)	-999 999 995 904.00...999 999 995 904.00	0.01	The sum of imported and exported reactive energy while active energy is imported.
Apparent Energy (S) while Export (P) (kVAh or MVAh)	-999 999 995 904.00...999 999 995 904.00	0.01	The total amount of exported apparent energy while active energy is exported.
Apparent Energy (S) while Import (P) (kVAh or MVAh)	-999 999 995 904.00...999 999 995 904.00	0.01	The total amount of exported apparent energy while active energy is imported.

Table. 4.2.4 - 43. Single-phase energy calculations (L1...L3).

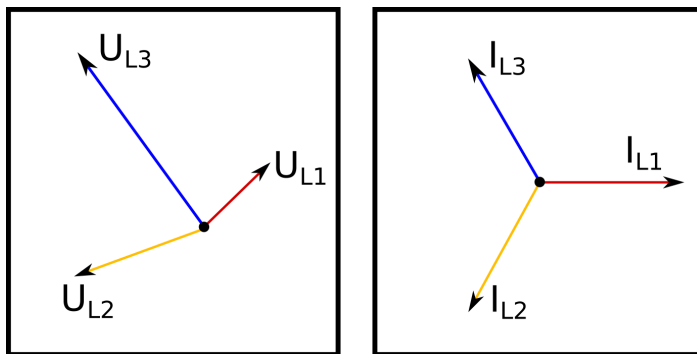
Name	Range	Step	Description
Export Active Energy Lx (kWh or MWh)	$-1 \times 10^9 \dots 1 \times 10^9$	0.01	The exported active energy of the phase.
Import Active Energy (kWh or MWh)	$-1 \times 10^9 \dots 1 \times 10^9$	0.01	The imported active energy of the phase.
Active Energy (P) Export/Import balance (kWh or MWh)	$-1 \times 10^9 \dots 1 \times 10^9$	0.01	The sum of the phase's imported and exported active energy.
Exported (Q) while Export (P) Lx (kVarh or MVarh)	$-1 \times 10^9 \dots 1 \times 10^9$	0.01	The exported reactive energy of the phase while active energy is exported.
Imported (Q) while Export (P) Lx (kVarh or MVarh)	$-1 \times 10^9 \dots 1 \times 10^9$	0.01	The imported reactive energy of the phase while active energy is exported.

Name	Range	Step	Description
Reactive Energy (Q) balance while Export (P) Lx (kVarh or MVarh)	-1x10 ⁹ ...1x10 ⁹	0.01	The sum of the phase's imported and exported reactive energy while active energy is exported.
Exported (Q) while Import (P) Lx (kVarh or MVarh)	-1x10 ⁹ ...1x10 ⁹	0.01	The exported reactive energy of the phase while active energy is imported.
Imported (Q) while Import (P) Lx (kVarh or MVarh)	-1x10 ⁹ ...1x10 ⁹	0.01	The imported reactive energy of the phase while active energy is imported.
Reactive energy (Q) balance while Import (P) Lx (kVarh or MVarh)	-1x10 ⁹ ...1x10 ⁹	0.01	The sum of the phase's imported and exported reactive energy while active energy is imported.
Apparent Energy (S) while Export (P) Lx	-1x10 ⁹ ...1x10 ⁹	0.01	The apparent energy of the phase while active energy is exported.
Apparent Energy (S) while Import (P) Lx	-1x10 ⁹ ...1x10 ⁹	0.01	The apparent energy of the phase while active energy is imported.

Calculation examples

Here is an example of power calculation. Both wiring methods (line-to-line and line-to-neutral) are checked with the same signal injection. The voltage scaling is set to 20 000 : 100 V and the current scaling is set to 1000 : 5 A.

Voltages (line-to-neutral):	Currents:
$U_{L1} = 40.825 \text{ V}, 45.00^\circ$	$I_{L1} = 2.5 \text{ A}, 0.00^\circ$
$U_{L2} = 61.481 \text{ V}, -159.90^\circ$	$I_{L2} = 2.5 \text{ A}, -120.00^\circ$
$U_{L3} = 97.742 \text{ V}, 126.21^\circ$	$I_{L3} = 2.5 \text{ A}, 120.00^\circ$



$$S_{L1} = U_{L1} \times I_{L1} = 40.825 \text{ V} \times 2.5 \text{ A} = 102 \text{ VA (secondary)} \quad \mathbf{4.08 \text{ MVA (primary)}}$$

$$P_{L1} = U_{L1} \times I_{L1} \cos \varphi = 40.825 \text{ V} \times 2.5 \text{ A} \cos(45^\circ - 0^\circ) = 72.2 \text{ W (secondary)} \quad \mathbf{2.89 \text{ MW (primary)}}$$

$$Q_{L1} = U_{L1} \times I_{L1} \sin \varphi = 40.825 \text{ V} \times 2.5 \text{ A} \sin(45^\circ - 0^\circ) = 72.2 \text{ var (secondary)} \quad \mathbf{2.89 \text{ MVar (primary)}}$$

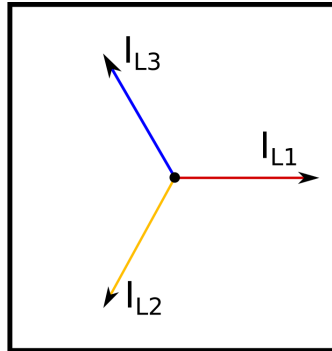
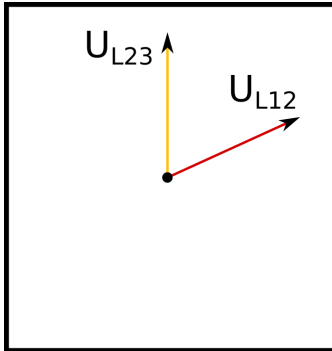
$$L1 \tan(\phi) = Q_{L1}/P_{L1} = 2.89/2.89 = \mathbf{1.00}$$

$$L1 \cos(\phi) = P_{L1}/S_{L1} = 2.89/4.08 = \mathbf{0.71}$$

Name	Value	Name	Value	Name	Value	Name	Value
L1 (S)	4.08 MVA	L2 (S)	6.15 MVA	L3 (S)	9.77 MVA	3PH (S)	20.00 MVA

Name	Value	Name	Value	Name	Value	Name	Value
L1 (P)	2.89 MW	L2 (P)	4.72 MW	L3 (P)	9.71 MW	3PH (P)	17.32 MW
L1 (Q)	2.89 Mvar	L2 (Q)	-3.94 Mvar	L3 (Q)	1.06 Mvar	3PH (Q)	0.01 Mvar
L1 Tan	1.00	L2 Tan	-0.83	L3 Tan	0.11	3PH Tan	0.00
L1 Cos	0.71	L2 Cos	0.77	L3 Cos	0.99	3PH Cos	0.87

Voltages (line-to-line):	Currents:
$U_{L12} = 100.00 \text{ V}, 30.00^\circ$	$I_{L1} = 2.5 \text{ A}, 0.00^\circ$
$U_{L23} = 100.00 \text{ V}, -90.00^\circ$	$I_{L2} = 2.5 \text{ A}, -120.00^\circ$
	$I_{L3} = 2.5 \text{ A}, 120.00^\circ$



$$S = U_{12} \times I_{L1} + U_{23} \times I_{L2}$$

$$S = 100 \text{ V} \times 2.5 \text{ A} + 100 \text{ V} \times 2.5 \text{ A} = 500 \text{ VA (sec)} \quad \mathbf{20.00 \text{ MVA (pri)}}$$

$$P = U_{12} \times I_{L1} \cos(-\varphi) + U_{23} \times I_{L2} \cos(\varphi)$$

$$P = 100 \text{ V} \times 2.5 \text{ A} \cos-(30^\circ - 0^\circ) + 100 \text{ V} \times 2.5 \text{ A} \cos(270^\circ - 240^\circ) = 433 \text{ W (sec)} \quad \mathbf{17.32 \text{ MW (pri)}}$$

$$Q = U_{12} \times I_{L1} \sin(-\varphi) + U_{23} \times I_{L2} \sin(\varphi)$$

$$Q = 100 \text{ V} \times 2.5 \text{ A} \sin-(30^\circ - 0^\circ) + 100 \text{ V} \times 2.5 \text{ A} \sin(270^\circ - 240^\circ) = 0 \text{ var (sec)} \quad \mathbf{0 \text{ Mvar (pri)}}$$

$$3PH \text{ Tan}(\phi) = Q/P = 0.01/17.32 = \mathbf{0.00}$$

$$3PH \text{ Cos}(\phi) = P/S = 17.32/20.00 = \mathbf{0.87}$$

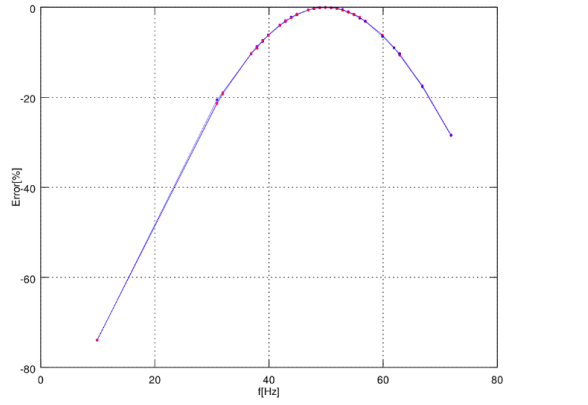
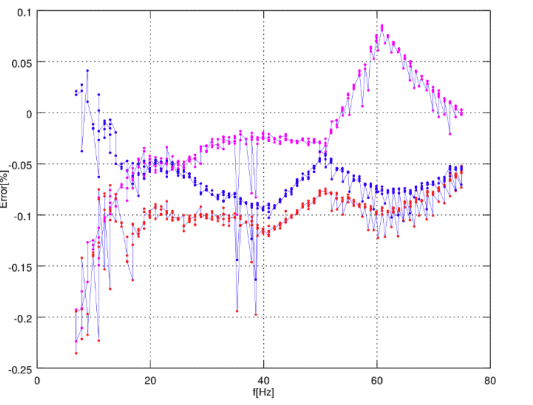
Name	Values
3PH (S)	20.00 MVA
3PH (P)	17.32 MW
3PH (Q)	0.00 Mvar
3PH Tan	0.00
3PH Cos	0.87

4.2.5 Frequency tracking and scaling

Measurement sampling can be set to the frequency tracking mode or to the fixed user-defined frequency sampling mode. The benefit of frequency tracking is that the measurements are within a pre-defined accuracy range even when the fundamental frequency of the power system changes.

Frequency independent current and voltage measurement accuracy is achieved with algorithms specified in patent US 10,809,287.

Table. 4.2.5 - 44. Frequency tracking effect (FF changes from 6 Hz to 75 Hz).

	
<p>The measurement error with a fixed 50 Hz sampling frequency when the frequency changes. The constant current is 5 A, the frequency sweep is from 6 Hz to 75 Hz.</p>	<p>The measurement error with frequency tracking when the frequency changes. The constant current is 5 A, the frequency sweep is from 6 Hz to 75 Hz.</p>

As the figures above show, the sampling frequency has a major effect on the device's measurement accuracy. If the sampling is not tracked to the system frequency, for example a 10 Hz difference between the measured and the set system frequency can give a measurement error of over 5 %. The figures also show that when the frequency is tracked and the sampling is adjusted according to the detected system frequency, the measurement accuracy has an approximate error of 0.1... - 0.2 % error in the whole frequency range.

AQ -200 series devices have a measurement accuracy that is independent of the system frequency. This has been achieved by adjusting the sample rate of the measurement channels according to the measured system frequency; this way the FFT calculation always has a whole power cycle in the buffer. The measurement accuracy is further improved by Arcteq's patented calibration algorithms that calibrate the analog channels against eight (8) system frequency points for both magnitude and angle. This frequency-dependent correction compensates the frequency dependencies in the used, non-linear measurement hardware and improves the measurement accuracy significantly. Combined, these two methods give an accurate measurement result that is independent of the system frequency.

Troubleshooting

When the measured current, voltage or frequency values differ from the expected values, the following table offers possible solutions for the problems.

Problem	Check / Resolution
The measured current or voltage amplitude is lower than it should be./ The values are "jumping" and are not stable.	The set system frequency may be wrong. Please check that the frequency settings match the local system frequency, or change the measurement mode to "Tracking" (<i>Measurement</i> → <i>Frequency</i> → "Smpl mode") so the device adjusts the frequency itself.
The frequency readings are wrong.	In Tracking mode the device may interpret the frequency incorrectly if no current is injected into the CT (or voltage into the VT). Please check the frequency measurement settings (<i>Measurement</i> → <i>Frequency</i>).

Settings

Table. 4.2.5 - 45. Settings of the frequency tracking.

Name	Range	Step	Default	Description
Sampling mode	0: Fixed 1: Tracking	-	0: Fixed	Defines which measurement sampling mode is in use: the fixed user-defined frequency, or the tracked system frequency.
System nominal frequency	7.000...75.000Hz	0.001Hz	50Hz	The user-defined system nominal frequency that is used when the "Sampling mode" setting has been set to "Fixed".
Tracked system frequency	0.000...75.000Hz	0.001Hz	-	Displays the rough measured system frequency.
Sampling frequency in use	0.000...75.000Hz	0.001Hz	-	Displays the tracking frequency that is in use at that moment.
Frequency reference 1	0: None 1: CT1IL1 2: CT2IL1 3: VT1U1 4: VT2U1	-	1: CT1IL1	The first reference source for frequency tracking.
Frequency reference 2	0: None 1: CT1IL2 2: CT2IL2 3: VT1U2 4: VT2U2	-	1: CT1IL2	The second reference source for frequency tracking.
Frequency reference 3	0: None 1: CT1IL3 2: CT2IL3 3: VT1U3 4: VT2U3	-	1: CT1IL3	The third reference source for frequency tracking.

Name	Range	Step	Default	Description
Frequency tracking quality	0: No trackable channels 1: Reference 1 trackable 2: Reference 2 trackable 3: References 1 & 2 trackable 4: Reference 3 trackable 5: Reference 1 & 3 trackable 6: References 2 & 3 trackable 7: All references trackable	-	-	Defines the frequency tracker quality. If the measured current (or voltage) amplitude is below the threshold, the channel tracking quality is 0 and cannot be used for frequency tracking. If all channels' magnitudes are below the threshold, there are no trackable channels.
Frequency measurement in use	0: No track ch 1: Ref1 2: Ref2 3: Ref3	-	-	Indicates which reference is used at the moment for frequency tracking.
Start behavior	0: Start tracking immediately 1: First nominal or tracked	-	0: Start tracking immediately	Defines the how the tracking starts. Tracking can start immediately, or there can be a set delay time between the receiving of the first trackable channel and the start of the tracking.
Start sampling with	0: Use track frequency 1: Use nom frequency	-	0: Use track frequency	Defines the start of the sampling. Sampling can begin with a previously tracked frequency, or with a user-set nominal frequency.
Use nominal frequency until	0...1800.000s	0.005s	0.100s	Defines how long the nominal frequency is used after the tracking has started. This setting is only valid when the "Sampling mode" setting is set to "Tracking" and when the "Start behavior" is set to "First nominal or tracked".
Tracked f channel A	0.000...75.000Hz	0.001Hz	-	Displays the rough value of the tracked frequency in Channel A.
Tracked f channel B	0.000...75.000Hz	0.001Hz	-	Displays the rough value of the tracked frequency in Channel B.
Tracked f channel C	0.000...75.000Hz	0.001Hz	-	Displays the rough value of the tracked frequency in Channel C.
Alg f fast	0.000...75.000Hz	0.001Hz	-	Frequency measurement built from tracked frequencies and U4 voltage channel samples.
Alg f avg	0.000...75.000Hz	0.001Hz	-	Averaged frequency measurement built from tracked frequencies and U4 voltage channel samples.
System measured frequency	0: One f measured 1: Two f measured 2: Three f measured	-	-	Displays the amount of frequencies that are measured.

Name	Range	Step	Default	Description
f.atm. Protections	0.000...75.000Hz	0.001Hz	-	Frequency measurement value used by protection functions. When frequency is not measurable this value returns to value set to "System nominal frequency" parameter.
f.atm. Display	0.000...75.000Hz	0.001Hz	-	Frequency measurement value used in display. When frequency is not measurable this value is "0 Hz".
f measurement from	0: Not measurable 1: Avg Ref 1 2: Avg Ref 2 3: Avg Ref 3 4: Track Ref 1 5: Track Ref 2 6: Track Ref 3 7: Fast Ref 1 8: Fast Ref 2 9: Fast Ref 3	-	-	Displays which reference is used for frequency measurement.
SS1.meas.frqs	0.000...75.000Hz	0.001Hz	-	Displays frequency used by "system set" channel 1 and 2.
SS2.meas.frqs				
SS1f meas.from	0: Not measurable 1: Fast Ref U3 2: Fast Ref U4	-	-	Displays which voltage channel frequency reference is used by "system set" voltage channel.
SS2f meas.from	0: Not measurable 1: Fast Ref U4	-	-	Displays if U4 channel frequency reference is measurable or not when the channel has been set to "system set" mode.

4.3 General menu

The *General* menu consists of basic settings and indications of the device. Additionally, the all activated functions and their status are displayed in the *Protection*, *Control* and *Monitor* profiles.

Table. 4.3 - 46. The *General* menu read-only parameters

Name	Description
Serial number	The unique serial number identification of the unit.
Firmware version	The firmware software version of the unit.
Hardware configuration	The order code identification of the unit.
System phase rotating order at the moment	The selected system phase rotating order. Can be changed with parameter "System phase rotating order".
UTC time	The UTC time value which the device's clock uses.

Table. 4.3 - 47. Parameters and indications in the *General* menu.

Name	Range	Default	Description
Device name	-	Unitname	The file name uses these fields when loading the .aqs configuration file from the AQ-200 unit.
Device location	-	Unitlocation	
Enable stage forcing	0: Disabled 1: Enabled	0: Disabled	When this parameter is enabled it is possible for the user to force the protection, control and monitoring functions to different statuses like START and TRIP. This is done in the function's <i>Info</i> page with the <i>Force status to</i> parameter.
Allow setting of device mode	0: Prohibited 1: From HMI/setting tool only 2: Allowed	0: Prohibited	Allows global mode to be modified from setting tool, HMI and IEC61850. Prohibited: Cannot be changed. From HMI/setting tool only: Can only be changed from the setting tool or HMI Allowed: Can be changed from the setting tool, HMI, and IEC 61850 client.
Allow setting of individual LN mode	0: Prohibited 1: From HMI/setting tool only 2: Allowed	0: Prohibited	Allow local modes to be modified from setting tool, HMI and IEC61850. Prohibited: Cannot be changed. From HMI/setting tool only: Can only be changed from the setting tool or HMI Allowed: Can be changed from the setting tool, HMI, and IEC 61850 client.
System phase rotating order	0: A-B-C 1: A-C-B	0: A-B-C	Allows the user to switch the expected order in which the phase measurements are wired to the unit.
Language	0: User defined 1: English 2: Finnish 3: Swedish 4: Spanish 5: French 6: German 7: Russian 8: Ukrainian	1: English	Changes the language of the parameter descriptions in the HMI. If the language has been set to "Other" in the settings of the AQtivate setting tool, AQtivate follows the value set into this parameter.
AQtivate ethernet port	1: All 2: COM A 3: Double Ethernet card	1: All	If the device has a double Ethernet option card it is possible to choose which ports are available for connecting with AQtivate software.
Clear events	0: - 1: Clear	0: -	Clears the event history recorded in the AQ-200 device.
Display brightness	0...8	4	Changes the display brightness. Brightness level 0 turns the display off.
Display sleep timeout	0...3600s	0s	If no buttons are pressed after a set time, the display changes the brightness to whatever is set on the "Display sleep brightness" parameter. If set to 0 s, this feature is not in use. When the device is in sleep mode pressing any of the buttons on the front panel of the device will wake the display.

Name	Range	Default	Description
Display sleep brightness	0...8	0	Defines the brightness of the display when the set display sleep timeout has elapsed. The brightness level "0" turns the display off.
Return to default view	0...3600s	0s	If the user navigates to a menu and gives no input after a period of time defined with this parameter, the unit automatically returns to the default view. If set to 0 s, this feature is not in use.
LED test	0: - 1: Activated	0: -	When activated, all LEDs are lit up. LEDs with multiple possible colors blink each color.
LCD restart	0: - 1: Restart	0: -	When activated, display restarts.
Display color theme	0: Light theme 1: Dark theme	0: Light theme	Defines the color theme used in the HMI.
Reset latches	0: - 1: Reset	0: -	Resets the latched signals in the logic and the matrix. When a reset command is given, the parameter automatically returns back to "-".
Measurement recorder	0: Disabled 1: Enabled	0: Disabled	Enables the measurement recorder tool, further configured in <i>Tools → Misc → Measurement recorder</i> .
I/O default object selection	0: OBJ1 1: OBJ2 2: OBJ3 3: OBJ4 4: OBJ5 5: OBJ6 6: OBJ7 7: OBJ8 8: OBJ9 9: OBJ10	0: OBJ1	"I" and "0" push buttons on the front panel of the device have an indication LED. This parameter defines which objects' status push buttons follow when lighting up the LEDs.
Device Mode	1: On 2: Blocked 3: Test 4: Test/ Blocked 5: Off	1: On	Set mode of device block. This parameter is visible only when <i>Allow setting of device mode</i> is enabled in <i>General</i> menu.
Reconfigure mimic	0: - 1: Reconfigure	0: -	Reloads the mimic to the unit.

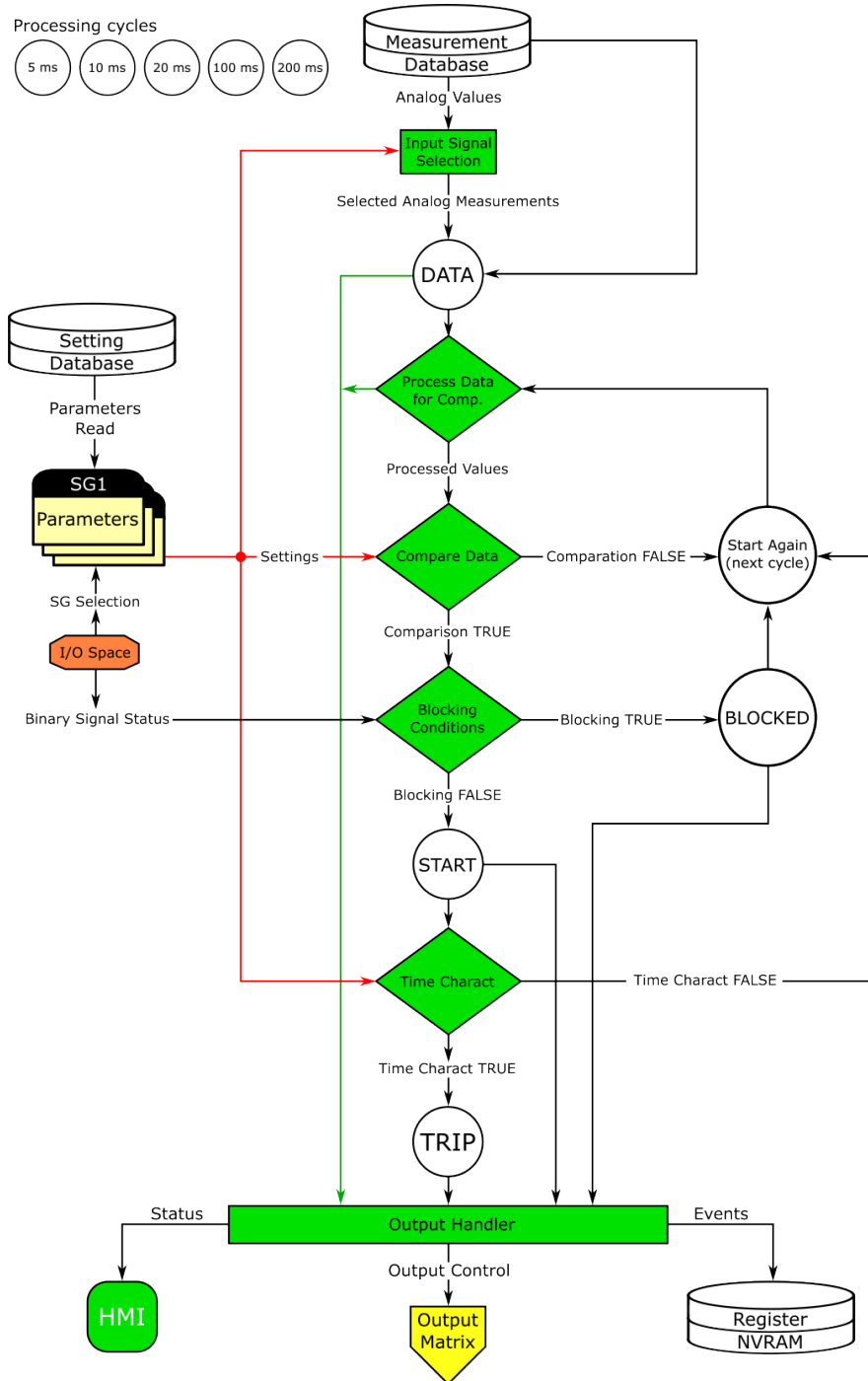
Table. 4.3 - 48. General menu logical inputs.

Name	Description
Reset last fault registers	Signal set to this point can be used for resetting latest recorded fault register.
Reset latches	Signals set to this point can be used for resetting latched signals. An alternative to using the "Back" button on the front panel of the device.
Ph.Rotating Logic control 0=A-B-C, 1=A-C-B	Signals set to this point can be used for switching the expected phase rotating order.

4.4 Protection functions

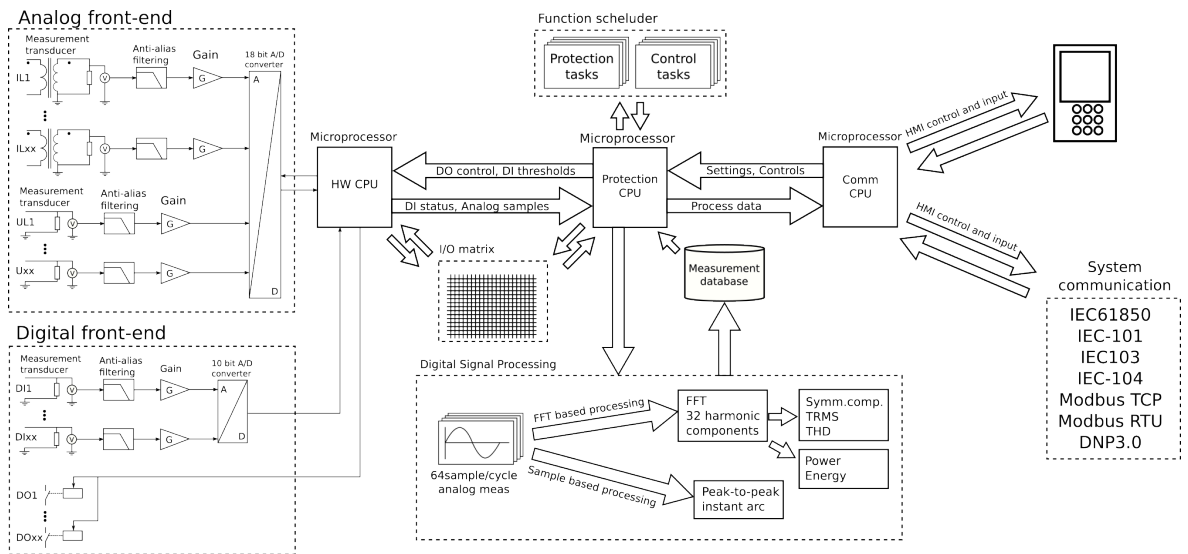
4.4.1 General properties of a protection function

The following flowchart describes the basic structure of any protection function. The basic structure is composed of analog measurement values being compared to the pick-up values and operating time characteristics.



The protection function is run in a completely digital environment with a protection CPU microprocessor which also processes the analog signals transformed into the digital form.

Figure. 4.4.1 - 27. Principle diagram of the protection relay platform.

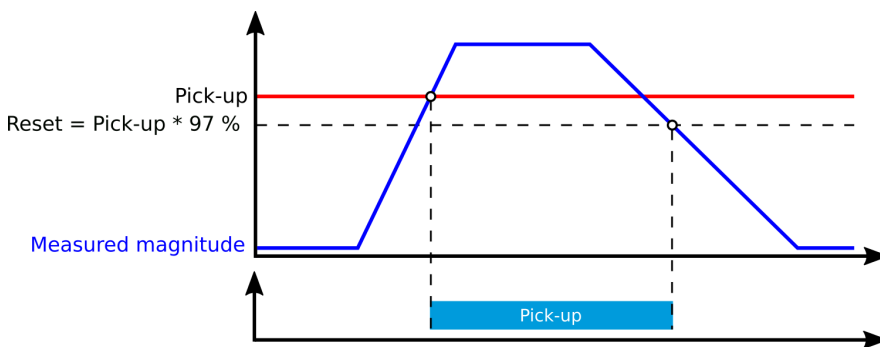


In the following chapters the common functionalities of protection functions are described. If a protection function deviates from this basic structure, the difference is described in the corresponding chapter of the manual.

Pick-up

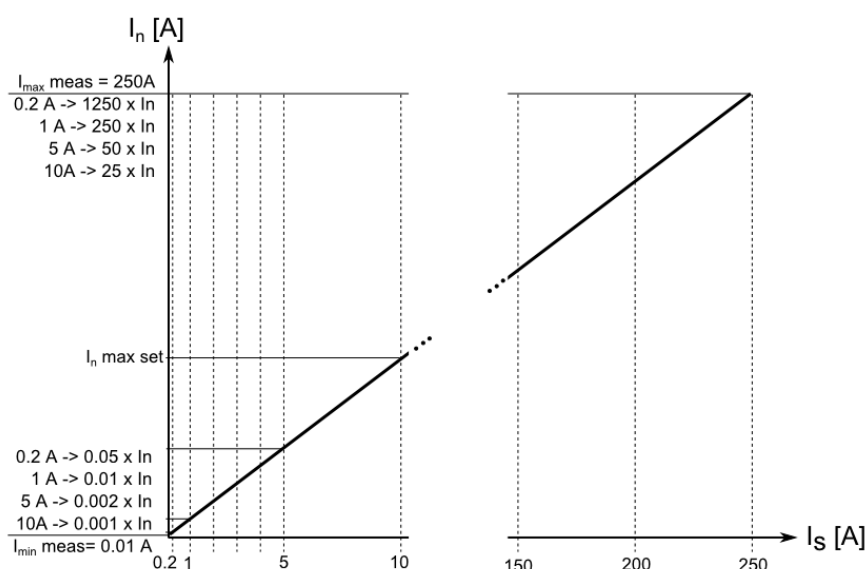
The X_{Set} parameter defines the pick-up level of the function, and this in turn defines the maximum or minimum allowed measured magnitude (in per unit, absolute or percentage value) before the function takes action. The function constantly calculates the ratio between the pick-up parameter set by the user and the measured magnitude (X_m). The reset ratio of 97 % is built into the function and is always relative to the X_{Set} value. If a function's pick-up characteristics vary from this description, they are defined in the function section in the manual.

Figure. 4.4.1 - 28. Pick up and reset.



The pick-up activation of the function is not directly equal to the START signal generation of the function. The START signal is allowed if a blocking condition is not active.

Figure. 4.4.1 - 29. Measurement range in relation to the nominal current.



The I_n magnitude refers to the user set nominal current which can range from 0.2...10 A, typically 0.2 A, 1A or 5 A. With its own current measurement card, the device will measure secondary currents from 0.001 A up to 250 A. To this relation the pick-up setting in secondary amperes will vary.

Function blocking

The blocking signals are checked in the beginning of each program cycle. A blocking signal is received from the blocking matrix for the function dedicated input. If the blocking signal is not activated when the pick-up element activates, a START signal is generated and the function proceeds to the time characteristics calculation.

If the blocking signal is active when pick-up element activates, a BLOCKED signal is generated and the function will not process the situation further. If the START function has been activated before the blocking signal, it resets and the release time characteristics are processed similarly to when the pick-up signal is reset.

The blocking of the function causes an HMI display event and a time stamped blocking event with information of the startup current values and its fault type to be issued.

The variables users can set are binary signals from the system. The blocking signal needs to reach the device minimum of 5 ms before the set operating delay has passed in order for the blocking to activate in time.

Operating time characteristics for trip and reset

The operating timers' behavior during a function can be set for trip signal and for the release of the function in case the pick-up element is reset before the trip time has been reached. There are three basic operating modes available for the function:

- Instant operation: activates the trip signal with no additional time delay simultaneously with the start signal.
- Definite time operation (DT): activates the trip signal after a user-defined time delay regardless of the measured current as long as the current is above or below the X_{set} value and thus the pick-up element is active (independent time characteristics).
- Inverse definite minimum time (IDMT): activates the trip signal after a time which is in relation to the set pick-up value X_{set} and the measured value X_m (dependent time characteristics).

Both IEC and IEEE/ANSI standard characteristics as well as user settable parameters are available for the IDMT operation. Please note that in the IDMT mode *Definite (Min)* operating time delay is also determines the minimum time for protection tripping (see the figure below). If this function is not desired the parameter should be set to 0 seconds.

Figure. 4.4.1 - 30. Operating time delay: *Definite (Min)* and the minimum for tripping.

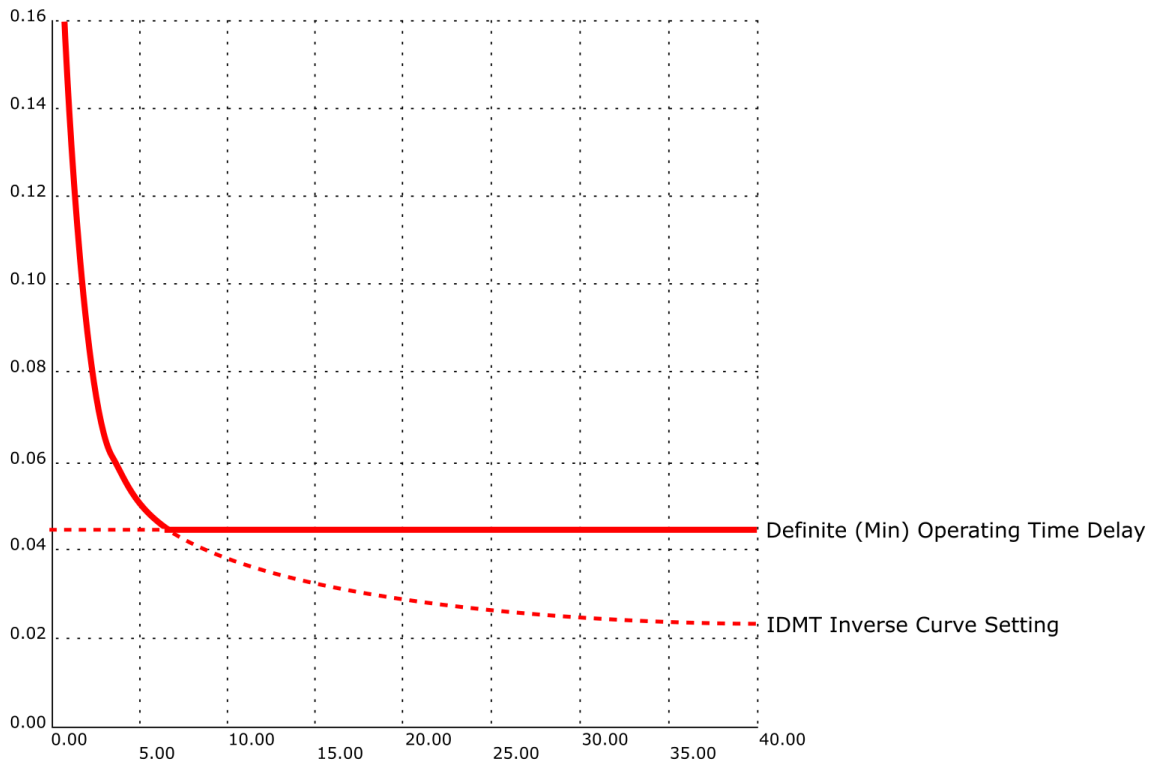


Table. 4.4.1 - 49. Operating time characteristics setting parameters (general).

Name	Range	Step	Default	Description
Delay type	0: DT 1: IDMT	-	0: DT	Selects the delay type for the time counter. The selection is made between dependent (IDMT) and independent (DT) characteristics.
Definite (min) operating time delay	0.000...1800.000s	0.005s	0.040s	When the "Delay type" parameter is set to "DT", this parameter acts as the expected operating time for the protection function. When set to 0 s, the stage operates instantaneously without any additional delay. When the parameter is set to 0.005...1800 s, the stage operates as independent delayed. When the "Delay type" parameter has been set to "IDMT", this parameter can be used to determine the minimum operating time for the protection function. Example of this is presented in the figure above.
Delay curve series	0: IEC 1: IEEE	-	0: IEC	Selects whether the delay curve series for an IDMT operation follows either IEC or IEEE/ANSI standard defined characteristics. This setting is active and visible when the "Delay type" parameter is set to "IDMT".

Name	Range	Step	Default	Description
Delay characteristics IEC	0: NI 1: EI 2: VI 3: LTI 4: Param	-	0: NI	Selects the IEC standard delay characteristics. The options include the following: Normally Inverse ("NI"), Extremely Inverse ("EI"), Very Inverse ("VI") and Long Time Inverse ("LTI") characteristics. Additionally, the "Param" option allows the tuning of the constants A and B which then allows the setting of characteristics following the same formula as the IEC curves mentioned here. This setting is active and visible when the "Delay type" parameter is set to "IDMT" and the "Delay curve series" parameter is set to "IEC".
Delay characteristics IEEE	0: ANSI NI 1: ANSI VI 2: ANSI EI 3: ANSI LTI 4: IEEE MI 5: IEEE VI 6: IEEE EI 7: Param	-	0: ANSI NI	Selects the IEEE and ANSI standard delay characteristics. The options for ANSI include the following: Normal Inverse ("ANSI NI"), Very Inverse ("ANSI VI"), Extremely inverse ("ANSI EI"), Long time inverse ("ANSI LTI") characteristics. IEEE: Moderately Inverse ("IEEE MI"), Very Inverse ("IEEE VI"), Extremely Inverse ("IEEE EI") characteristics. Additionally, the "Param" option allows the tuning of the constants A, B and C which then allows the setting of characteristics following the same formula as the IEEE curves mentioned here. This setting is active and visible when the "Delay type" parameter is set to "IDMT" and the "Delay curve series" parameter is set to "IEEE".
Time dial setting k	0.01...25.00s	0.01s	0.05s	Defines the time dial/multiplier setting for IDMT characteristics. This setting is active and visible when the "Delay type" parameter is set to "IDMT".
A	0.0000...250.0000	0.0001	0.0860	Defines the Constant A for IEC/IEEE characteristics. This setting is active and visible when the "Delay type" parameter is set to "IDMT" and the "Delay characteristic" parameter is set to "Param".
B	0.0000...5.0000	0.0001	0.1850	Defines the Constant B for IEC/IEEE characteristics. This setting is active and visible when the "Delay type" parameter is set to "IDMT" and the "Delay characteristic" parameter is set to "Param".
C	0.0000...250.0000	0.0001	0.0200	Defines the Constant C for IEEE characteristics. This setting is active and visible when the "Delay type" parameter is set to "IDMT" and the "Delay characteristic" parameter is set to "Param".

Figure. 4.4.1 - 31. Inverse operating time formulas for IEC and IEEE standards.

IEC	IEEE/ANSI																																																			
$t = \frac{kA}{\left(\frac{I_m}{I_{set}}\right)^B - 1}$	$t = k \left(\frac{A}{\left(\frac{I_m}{I_{set}}\right)^C - 1} + B \right)$																																																			
<p>t = Operating delay (s) k = Time dial setting I_m = Measured maximum current I_{set} = Pick-up setting A = Operating characteristics constant B = Operating characteristics constant</p>	<p>t = Operating delay (s) k = Time dial setting I_m = Measured maximum current I_{set} = Pick-up setting A = Operating characteristics constant B = Operating characteristics constant C = Operating characteristics constant</p>																																																			
<p>Standard delays IEC constants</p> <table border="1"> <thead> <tr> <th>Type</th> <th>A</th> <th>B</th> </tr> </thead> <tbody> <tr> <td>Normally Inverse (NI)</td> <td>0,14</td> <td>0,02</td> </tr> <tr> <td>Extremely Inverse (EI)</td> <td>80</td> <td>2</td> </tr> <tr> <td>Very Inverse (VI)</td> <td>13,5</td> <td>1</td> </tr> <tr> <td>Long Time Inverse (LTI)</td> <td>120</td> <td>1</td> </tr> </tbody> </table>	Type	A	B	Normally Inverse (NI)	0,14	0,02	Extremely Inverse (EI)	80	2	Very Inverse (VI)	13,5	1	Long Time Inverse (LTI)	120	1	<p>Standard delays ANSI constants</p> <table border="1"> <thead> <tr> <th>Type</th> <th>A</th> <th>B</th> <th>C</th> </tr> </thead> <tbody> <tr> <td>Normally Inverse (NI)</td> <td>8,934</td> <td>0,1797</td> <td>2,094</td> </tr> <tr> <td>Very Inverse (VI)</td> <td>3,922</td> <td>0,0982</td> <td>2</td> </tr> <tr> <td>Extremely Inverse (EI)</td> <td>5,64</td> <td>0,02434</td> <td>2</td> </tr> <tr> <td>Long Time Inverse (LTI)</td> <td>5,614</td> <td>2,186</td> <td>1</td> </tr> </tbody> </table> <p>Standard delays IEEE constants</p> <table border="1"> <thead> <tr> <th>Type</th> <th>A</th> <th>B</th> <th>C</th> </tr> </thead> <tbody> <tr> <td>Moderately Inverse (MI)</td> <td>0,0515</td> <td>0,114</td> <td>0,02</td> </tr> <tr> <td>Very Inverse (VI)</td> <td>19,61</td> <td>0,491</td> <td>2</td> </tr> <tr> <td>Extremely Inverse (EI)</td> <td>28,2</td> <td>0,1217</td> <td>2</td> </tr> </tbody> </table>	Type	A	B	C	Normally Inverse (NI)	8,934	0,1797	2,094	Very Inverse (VI)	3,922	0,0982	2	Extremely Inverse (EI)	5,64	0,02434	2	Long Time Inverse (LTI)	5,614	2,186	1	Type	A	B	C	Moderately Inverse (MI)	0,0515	0,114	0,02	Very Inverse (VI)	19,61	0,491	2	Extremely Inverse (EI)	28,2	0,1217	2
Type	A	B																																																		
Normally Inverse (NI)	0,14	0,02																																																		
Extremely Inverse (EI)	80	2																																																		
Very Inverse (VI)	13,5	1																																																		
Long Time Inverse (LTI)	120	1																																																		
Type	A	B	C																																																	
Normally Inverse (NI)	8,934	0,1797	2,094																																																	
Very Inverse (VI)	3,922	0,0982	2																																																	
Extremely Inverse (EI)	5,64	0,02434	2																																																	
Long Time Inverse (LTI)	5,614	2,186	1																																																	
Type	A	B	C																																																	
Moderately Inverse (MI)	0,0515	0,114	0,02																																																	
Very Inverse (VI)	19,61	0,491	2																																																	
Extremely Inverse (EI)	28,2	0,1217	2																																																	

Non-standard delay characteristics

In addition to the previously mentioned delay characteristics, some functions also have delay characteristics that deviate from the IEC or IEEE standards. These functions are the following:

- overcurrent stages
- residual overcurrent stages
- directional overcurrent stages
- directional residual overcurrent stages.

The setting parameters and their ranges are documented in the chapters of the respective function blocks.

Table. 4.4.1 - 50. Inverse operating time formulas for nonstandard characteristics.

RI-type	RD-type
Used to get time grading with mechanical relays	Mostly used in earth fault protection which grants selective tripping even in non-directional protection
$t = \frac{k}{0.339 - 0.236 * \frac{I_{set}}{I_m}}$	$t = 5.8 - 1.35 * \ln \left(\frac{I_m}{k * I_{set}} \right)$
<p>t = Operating delay (s) k = Time dial setting I_m = Measured maximum current I_{set} = Pick-up setting</p>	<p>t = Operating delay (s) k = Time dial setting I_m = Measured maximum current I_{set} = Pick-up setting</p>

Table. 4.4.1 - 51. Setting parameters for reset time characteristics.

Name	Range	Step	Default	Description
Delayed pick-up release	0: No 1: Yes	-	1: Yes	Resetting characteristics selection (either time-delayed or instant) after the pick-up element is released. If activated, the START signal is reset after a set release time delay.
Release time delay	0.000...150.000s	0.005s	0.06s	Resetting time. The time allowed between pick-ups if the pick-up has not led into a trip operation. If the "Delayed pick-up release" setting is active, the START signal is held on for the duration of the timer.
Op.Time calculation reset after release time	0: No 1: Yes	-	1: Yes	Operating timer resetting characteristics selection. When active, the operating time counter is reset after a set release time if the pick-up element is not activated during this time. When disabled, the operating time counter is reset directly after the pick-up element is reset.
Continue time calculation during release time	0: No 1: Yes	-	0: No	Time calculation characteristics selection. If activated, the operating time counter continues until a set release time even if the pick-up element is reset.

The behavior of the stages with different release time configurations are presented in the figures below.

Figure. 4.4.1 - 32. No delayed pick-up release.

Delayed pick-up release: Disabled

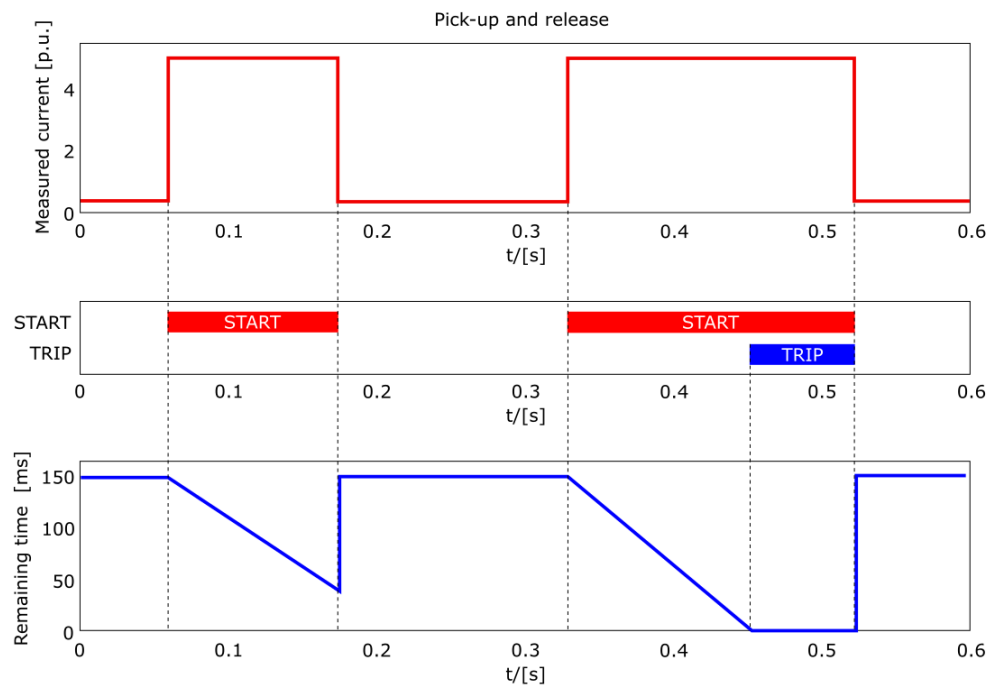


Figure. 4.4.1 - 33. Delayed pick-up release, delay counter is reset at signal drop-off.

Delayed pick-up release: Enabled
 Op.time calc reset after release time: Disabled
 Continue time calculation during release time: Disabled

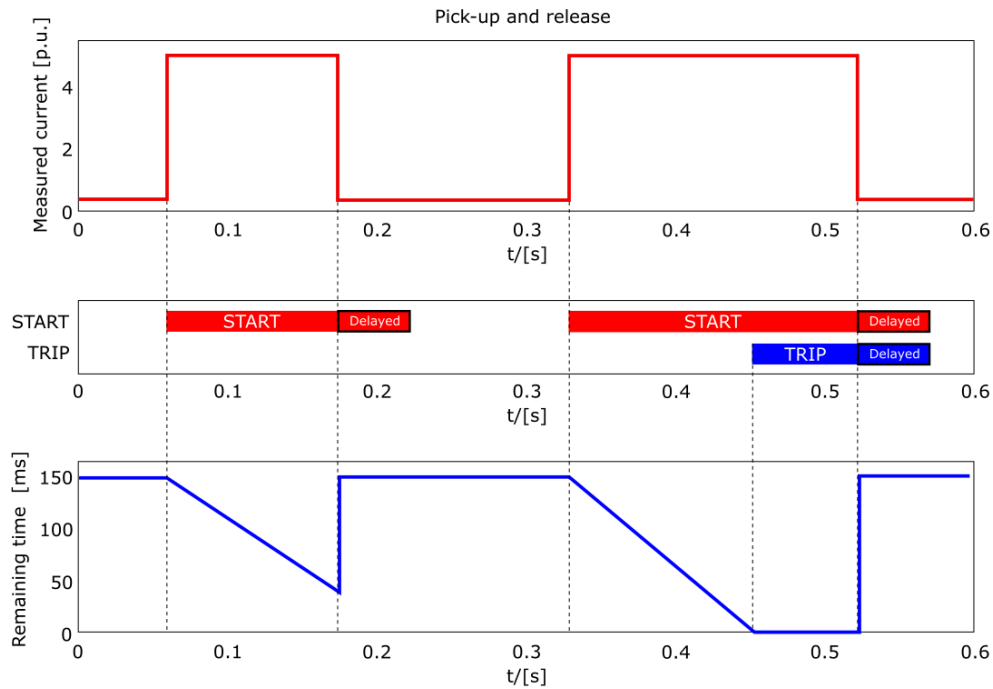


Figure. 4.4.1 - 34. Delayed pick-up release, delay counter value is held during the release time.

Delayed pick-up release: Enabled
 Op.time calc reset after release time: Enabled
 Continue time calculation during release time: Disabled

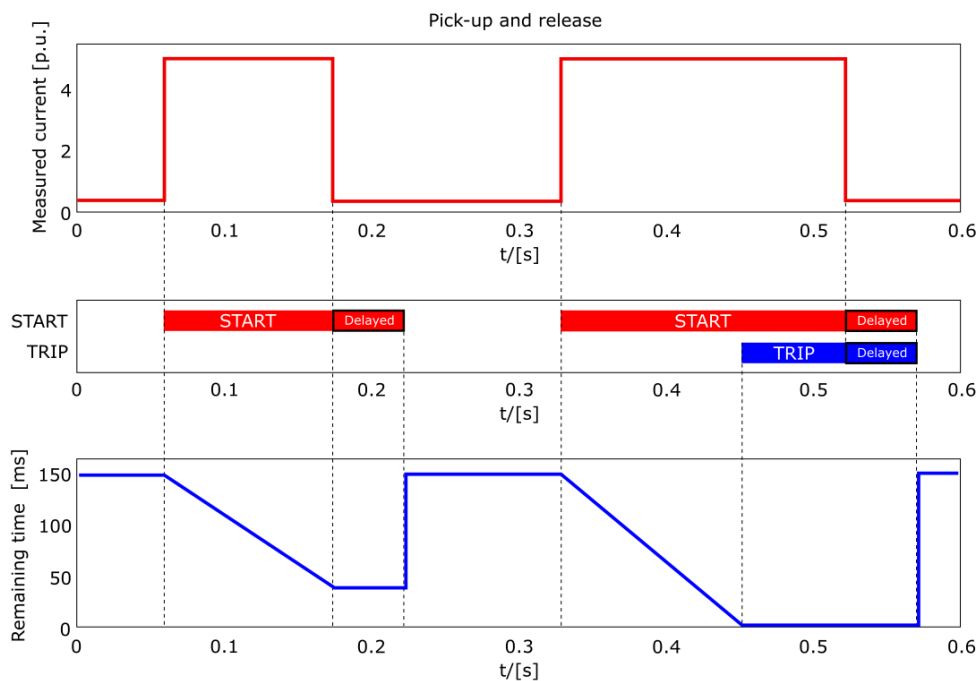
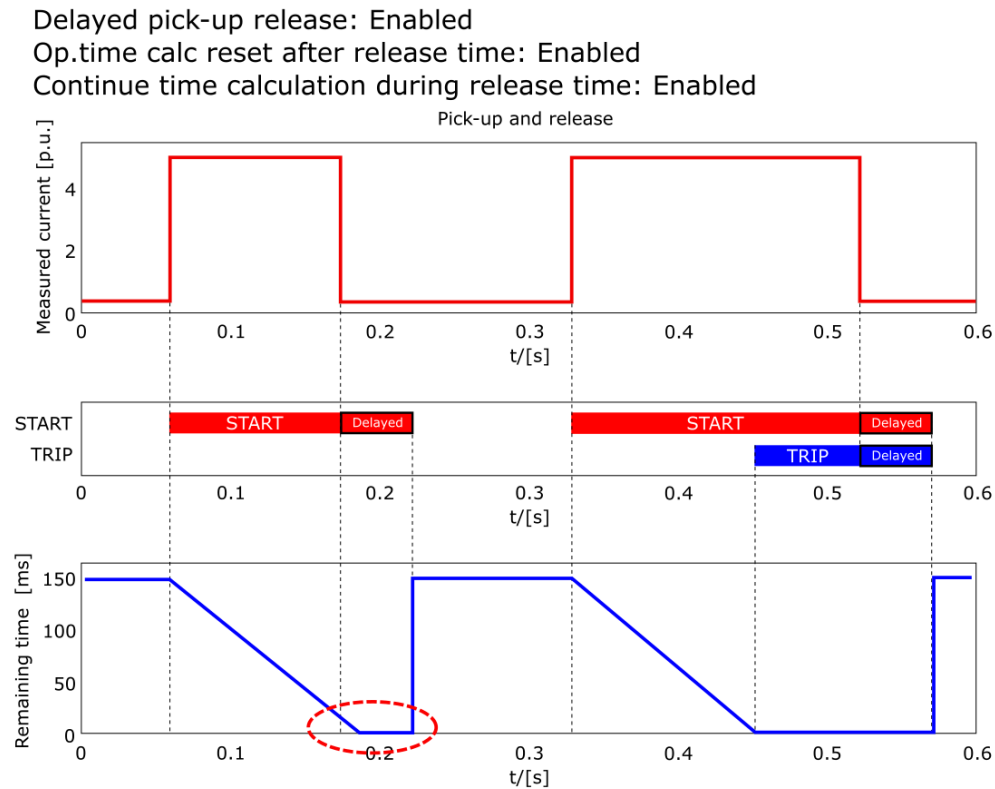


Figure. 4.4.1 - 35. Delayed pick-up release, delay counter value is decreasing during the release time.



The resetting characteristics can be set according to the application. The default setting is delayed 60 ms and the time calculation is held during the release time.

When using the release delay option where the operating time counter is calculating the operating time during the release time, the function will not trip if the input signal is not activated again during the release time counting.

Stage forcing

It is possible to test the logic, event processing and the operation of the relay's protection system by controlling the state of the protection functions manually without injecting any current into the device with stage forcing. To enable *Stage forcing* set the *Enable stage forcing* to ENABLED in the *General* menu. After this it is possible to control the status of a protection function (Normal, Start, Trip, Blocked etc.) in the *Info* page of the function.



NOTICE!

When *Stage forcing* is enabled protection functions will also change state through user input. Injected currents/voltages also affect the behavior of the device. Regardless, it is recommended to disable *Stage Forcing* after testing has ended.

4.4.2 Non-directional overcurrent protection ($I >$; 50/51)

The non-directional overcurrent function is used for instant and time-delayed overcurrent and short-circuit protection. The number of stages in the function depends on the relay model. The operating decisions are based on phase current magnitude, constantly measured by the function. The available phase current magnitudes are equal to RMS values, to TRMS values (including harmonics up to 32nd), or to peak-to-peak values. The blocking signal and the setting group selection control the operating characteristics of the function during normal operation, i.e. the user or user-defined logic can change function parameters while the function is running.

The non-directional overcurrent function uses a total of eight (8) separate setting groups which can be selected from one common source.

The function can operate on instant or time-delayed mode. In time-delayed mode the operation can be selected between definite time (DT) mode and inverse definite minimum time (IDMT) mode. The IDMT operation supports both IEC and ANSI standard time delays as well as custom parameters. The function includes CT saturation checking which allows the function to start and operate accurately during CT saturation.

The operational logic consists of the following:

- input magnitude selection
- input magnitude processing
- saturation check
- threshold comparator
- block signal check
- time delay characteristics
- output processing.

The basic design of the protection function is the three-pole operation.

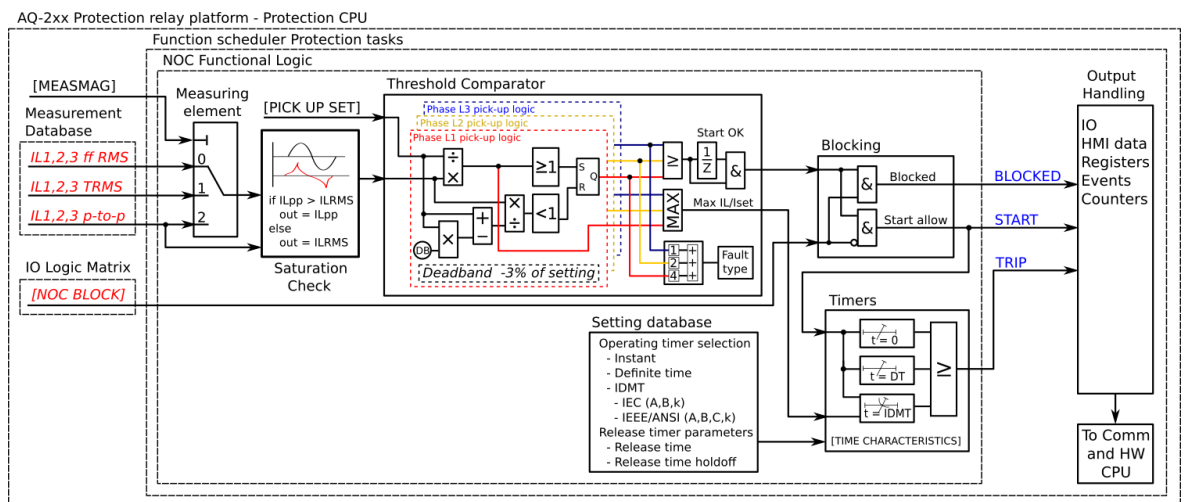
The inputs for the function are the following:

- operating mode selections
- setting parameters
- digital inputs and logic signals
- measured and pre-processed current magnitudes.

The function's outputs are START, TRIP and BLOCKED signals which can be used for direct I/O controlling and user logic programming. The function generates general time-stamped ON/OFF events to the common event buffer from each of the three (3) output signals. In the instant operating mode the function outputs START and TRIP events simultaneously with an equivalent time stamp. The time stamp resolution is 1 ms. The function also provides a resettable cumulative counter for the START, TRIP and BLOCKED events.

The following figure presents a simplified function block diagram of the non-directional overcurrent function.

Figure. 4.4.2 - 36. Simplified function block diagram of the I> function.



Measured input

The function block uses analog current measurement values. However, when the peak-to-peak mode is selected for the function's "Measured magnitude" setting, the values are taken directly from the samples. The user can select the monitored magnitude to be equal either to RMS values, to TRMS values from the whole harmonic specter of 32 components, or to peak-to-peak values. A -20ms averaged value of the selected magnitude is used for pre-fault data registering.

Table. 4.4.2 - 52. Measurement inputs of the I> function.

Signal	Description	Time base
IL1RMS	RMS measurement of phase L1 (A) current	5ms
IL2RMS	RMS measurement of phase L2 (B) current	5ms
IL3RMS	RMS measurement of phase L3 (C) current	5ms
IL1TRMS	TRMS measurement of phase L1 (A) current	5ms
IL2TRMS	TRMS measurement of phase L2 (B) current	5ms
IL3TRMS	TRMS measurement of phase L3 (C) current	5ms
IL1PP	Peak-to-peak measurement of phase L1 (A) current	5ms
IL2PP	Peak-to-peak measurement of phase L2 (B) current	5ms
IL3PP	Peak-to-peak measurement of phase L3 (C) current	5ms

The selection of the used AI channel is made with a setting parameter. In all possible input channel variations the pre-fault condition is presented with a 20 ms averaged history value from -20 ms from START or TRIP event.

General settings

The following general settings define the general behavior of the function. These settings are static i.e. it is not possible to change them by editing the setting group.

Table. 4.4.2 - 53. General settings of the function.

Name	Range	Default	Description
Setting control from comm bus	1: Disabled 2: Allowed	1: Disabled	Activating this parameter allows changing the pick-up level of the protection stage via SCADA.
I> LN mode	1: On 2: Blocked 3: Test 4: Test/Blocked 5: Off	0: On	Set mode of NOC block. This parameter is visible only when <i>Allow setting of individual LN mode</i> is enabled in <i>General</i> menu.

Name	Range	Default	Description
I> force status to	0: Normal 1: Start 2: Trip 3: Blocked 4: Start A 5: Start B 6: Start C 7: Trip A 8: Trip B 9: Trip C 10: Start AB 11: Start BC 12: Start CA 13: Start ABC 14: Trip AB 15: Trip BC 16: Trip CA 17: Trip ABC	0: Normal	Force the status of the function. Visible only when <i>Enable stage forcing</i> parameter is enabled in <i>General</i> menu.
Measured magnitude	1: RMS 2: TRMS 3: Peak-to-peak	1: RMS	Defines which available measured magnitude is used by the function.

Pick-up

The I_{set} setting parameter controls the pick-up of the I> function. This defines the maximum allowed measured current before action from the function. The function constantly calculates the ratio between the I_{set} and the measured magnitude (I_m) for each of the three phases. The reset ratio of 97 % is built into the function and is always relative to the I_{set} value. The setting value is common for all measured phases, and when the I_m exceeds the I_{set} value (in single, dual or all phases) it triggers the pick-up operation of the function.

Table. 4.4.2 - 54. Pick-up settings.

Name	Description	Range	Step	Default
I_{set}	Pick-up setting	$0.10...50.00 \times I_n$	$0.01 \times I_n$	$1.20 \times I_n$

The pick-up activation of the function is not directly equal to the START signal generation of the function. The START signal is allowed if the blocking condition is not active.

Read-only parameters

The relay's *Info* page displays useful, real-time information on the state of the protection function. It is accessed either through the relay's HMI display, or through the setting tool software when it is connected to the relay and its Live Edit mode is active.

Table. 4.4.2 - 55. Information displayed by the function.

Name	Range	Step	Description
I> LN behaviour	1: On 2: Blocked 3: Test 4: Test/Blocked 5: Off	-	Displays the mode of NOC block. This parameter is visible only when <i>Allow setting of individual LN mode</i> is enabled in <i>General</i> menu.
I> condition	0: Normal 1: Start 2: Trip 3: Blocked	-	Displays status of the protection function.
I> phases condition	0: Normal 1: Start A 2: Start B 3: Start C 4: Trip A 5: Trip B 6: Trip C 7: Start AB 8: Start BC 9: Start CA 10: Start ABC 11: Trip AB 12: Trip BC 13: Trip CA 14: Trip ABC	-	Displays the status of phases individually.
Expected operating time	-1800.000...1800.000s	0.005s	Displays the expected operating time when a fault occurs. When IDMT mode is used, the expected operating time depends on the measured highest phase current value. If the measured current changes during a fault, the expected operating time changes accordingly.
Time remaining to trip	0.000...1800.000s	0.005s	When the function has detected a fault and counts down time towards a trip, this displays how much time is left before tripping occurs.
I _{meas} /I _{set} at the moment	0.00...1250.00	0.01	The ratio between the highest measured phase current and the pick-up value.

Function blocking

The block signal is checked in the beginning of each program cycle. The blocking signal is received from the blocking matrix in the function's dedicated input. Additionally, the non-directional overcurrent function includes an internal inrush harmonic blocking option which is applied according to the parameters set by the user. If the blocking signal is not activated when the pick-up element activates, a START signal is generated and the function proceeds to the time characteristics calculation.

Table. 4.4.2 - 56. Internal inrush harmonic blocking settings.

Name	Range	Step	Default	Description
Inrush harmonic blocking (internal-only trip)	0: No 1: Yes	-	0: No	Enables and disables the 2 nd harmonic blocking.
2 nd harmonic blocking limit (I _{harm} /I _{fund})	0.10...50.00%I _{fund}	0.01%I _{fund}	0.01%I _{fund}	Defines the limit of the 2 nd harmonic blocking.

If the blocking signal is active when the pick-up element activates, a BLOCKED signal is generated and the function does not process the situation further. If the START function has been activated before the blocking signal, it resets and the release time characteristics are processed similarly to when the pick-up signal is reset.

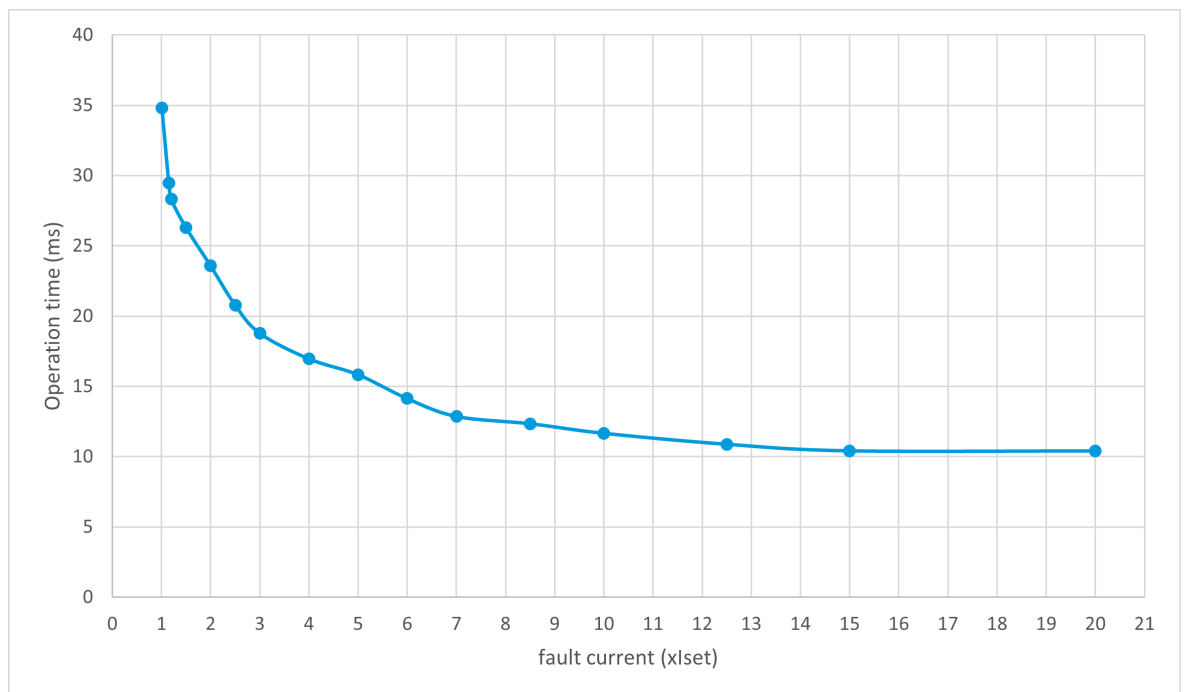
The blocking of the function causes an HMI display event and a time stamped blocking event with information of the startup current values and its fault type to be issued.

The variables the user can set are binary signals from the system. The blocking signal needs to reach the device minimum of 5 ms before the set operating delay has passed in order for the blocking to activate in time.

Operating time characteristics for trip and reset

This function supports definite time delay (DT) and inverse definite minimum time delay (IDMT). For detailed information on these delay types please refer to the chapter "[General properties of a protection function](#)" and its section "[Operating time characteristics for trip and reset](#)".

Figure. 4.4.2 - 37. Typical operation time delays with different current to setting ratios in instant operation mode.



Events and registers

The non-directional overcurrent function (abbreviated "NOC" in event block names) generates events and registers from the status changes in START, TRIP and BLOCKED. The user can select which event messages are stored in the main event buffer: ON, OFF, or both. The function offers four (4) independent stages; the events are segregated for each stage operation.

The events triggered by the function are recorded with a time stamp and with process data values.

Table. 4.4.2 - 57. Event messages.

Event block name	Event names
NOC1	Start ON
NOC1	Start OFF
NOC1	Trip ON
NOC1	Trip OFF
NOC1	Block ON
NOC1	Block OFF
NOC1	Phase A Start ON
NOC1	Phase A Start OFF
NOC1	Phase B Start ON
NOC1	Phase B Start OFF
NOC1	Phase C Start ON
NOC1	Phase C Start OFF
NOC1	Phase A Trip ON
NOC1	Phase A Trip OFF
NOC1	Phase B Trip ON
NOC1	Phase B Trip OFF
NOC1	Phase C Trip ON
NOC1	Phase C Trip OFF
NOC2	Start ON
NOC2	Start OFF
NOC2	Trip ON
NOC2	Trip OFF
NOC2	Block ON
NOC2	Block OFF
NOC2	Phase A Start ON

Event block name	Event names
NOC2	Phase A Start OFF
NOC2	Phase B Start ON
NOC2	Phase B Start OFF
NOC2	Phase C Start ON
NOC2	Phase C Start OFF
NOC2	Phase A Trip ON
NOC2	Phase A Trip OFF
NOC2	Phase B Trip ON
NOC2	Phase B Trip OFF
NOC2	Phase C Trip ON
NOC2	Phase C Trip OFF
NOC3	Start ON
NOC3	Start OFF
NOC3	Trip ON
NOC3	Trip OFF
NOC3	Block ON
NOC3	Block OFF
NOC3	Phase A Start ON
NOC3	Phase A Start OFF
NOC3	Phase B Start ON
NOC3	Phase B Start OFF
NOC3	Phase C Start ON
NOC3	Phase C Start OFF
NOC3	Phase A Trip ON
NOC3	Phase A Trip OFF
NOC3	Phase B Trip ON
NOC3	Phase B Trip OFF
NOC3	Phase C Trip ON
NOC3	Phase C Trip OFF
NOC4	Start ON
NOC4	Start OFF

Event block name	Event names
NOC4	Trip ON
NOC4	Trip OFF
NOC4	Block ON
NOC4	Block OFF
NOC4	Phase A Start ON
NOC4	Phase A Start OFF
NOC4	Phase B Start ON
NOC4	Phase B Start OFF
NOC4	Phase C Start ON
NOC4	Phase C Start OFF
NOC4	Phase A Trip ON
NOC4	Phase A Trip OFF
NOC4	Phase B Trip ON
NOC4	Phase B Trip OFF
NOC4	Phase C Trip ON
NOC4	Phase C Trip OFF

The function registers its operation into the last twelve (12) time-stamped registers; this information is available for all provided instances separately. The register of the function records the ON event process data for START, TRIP or BLOCKED. The table below presents the structure of the function's register content.

Table. 4.4.2 - 58. Register content.

Date and time	Event	Fault type	Pre-trigger current	Fault current	Pre-fault current	Trip time remaining	Used SG
dd.mm.yyyy hh:mm:ss.mss	Event name	L1-E...L1-L2-L3	Start/Trip -20ms current	Start/ Trip current	Start -200ms current	0 ms...1800s	Setting group 1...8 active

4.4.3 Non-directional earth fault protection (I0>; 50N/51N)

The non-directional earth fault function is used for instant and time-delayed earth fault protection. The number of stages in the function depend on the device model. The operating characteristics are based on the selected neutral current magnitudes which the function measures constantly. The available analog measurement channels are I01 and I02 (residual current measurement) and I0Calc (residual current calculated from phase current). The user can select these channels to use RMS values, TRMS values (including harmonics up to 32nd), or peak-to-peak values. The blocking signal and the setting group selection control the operating characteristics of the function during normal operation, i.e. the user or user-defined logic can change function parameters while the function is running.

The non-directional earth fault function uses a total of eight (8) separate setting groups which can be selected from one common source.

The function can operate on instant or time-delayed mode. In the time-delayed mode the operation can be selected for definite time (DT) or for inverse definite minimum time (IDMT); the IDMT operation supports both IEC and ANSI standard time delays as well as custom parameters. The function includes the checking of CT saturation which allows the function to start and operate accurately even during CT saturation.

The operational logic consists of the following:

- input magnitude selection
- input magnitude processing
- saturation check
- threshold comparator
- block signal check
- time delay characteristics
- output processing.

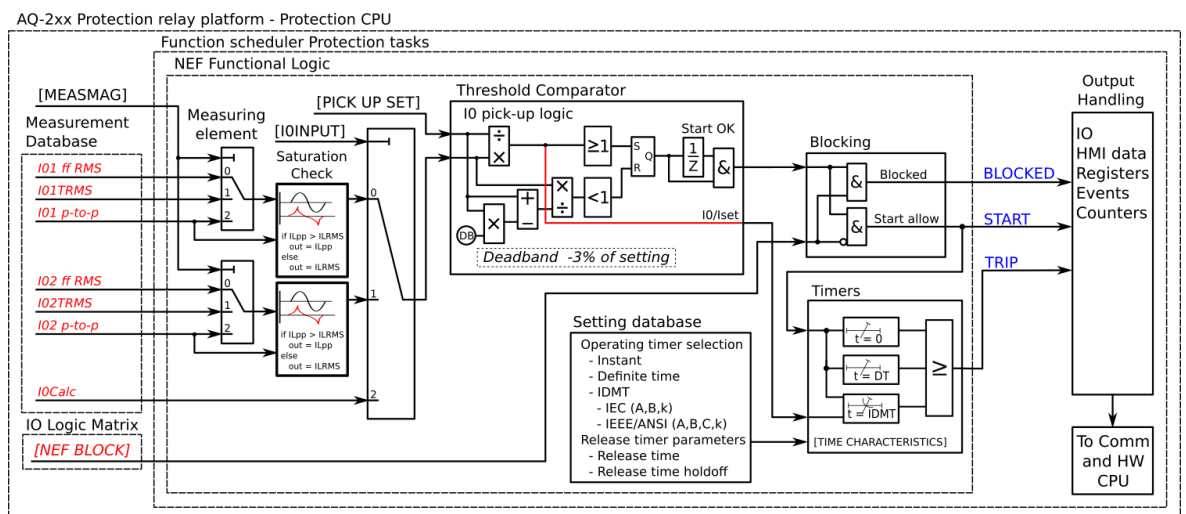
The inputs for the function are the following:

- operating mode selections
- setting parameters
- digital inputs and logic signals
- measured and pre-processed current magnitudes.

The function's outputs are START, TRIP and BLOCKED signals which can be used for direct I/O controlling and user logic programming. The function generates general time-stamped ON/OFF events to the common event buffer from each of the three (3) output signals. In the instant operating mode the function outputs START and TRIP events simultaneously with an equivalent time stamp. The time stamp resolution is 1 ms. The function also provides a resettable cumulative counter for the START, TRIP and BLOCKED events.

The following figure presents a simplified function block diagram of the non-directional earth fault function.

Figure. 4.4.3 - 38. Simplified function block diagram of the I0> function.



Measured input

The function block uses analog current measurement values. The user can select the monitored magnitude to be equal either to RMS values, to TRMS values, or to peak-to-peak values. TRMS mode uses values from the whole harmonic spectrum of 32 components. Peak-to-peak mode picks measurement values directly from the samples. A -20 ms averaged value of the selected magnitude is used for pre-fault data registering.

Table. 4.4.3 - 59. Measurement inputs of the I0> function.

Signal	Description	Time base
I01RMS	RMS measurement of coarse residual current measurement input I01	5 ms
I01TRMS	TRMS measurement of coarse residual current measurement input I01	5 ms
I01PP	Peak-to-peak measurement of coarse residual current measurement input I01	5 ms
I02RMS	RMS measurement of sensitive residual current measurement input I02	5 ms
I02TRMS	TRMS measurement of coarse sensitive current measurement input I02	5 ms
I02PP	Peak-to-peak measurement of sensitive residual current measurement input I02	5 ms
I0Calc	RMS value of the calculated zero sequence current from the three phase currents	5 ms

The selection of the used AI channel is made with a setting parameter. In all possible input channel variations the pre-fault condition is presented with a 20 ms averaged history value from -20 ms from a START or TRIP event.

General settings

The following general settings define the general behavior of the function. These settings are static i.e. it is not possible to change them by editing the setting group.

Table. 4.4.3 - 60. General settings of the function.

Name	Range	Default	Description
Setting control from comm bus	1: Disabled 2: Allowed	1: Disabled	Activating this parameter permits changing the pick-up level of the protection stage via SCADA.
I0> LN mode	1: On 2: Blocked 3: Test 4: Test/Blocked 5: Off	1: On	Set mode of NEF block. This parameter is visible only when Allow setting of individual LN mode is enabled in General menu.
I0> force status to	0: Normal 1: Start 2: Trip 3: Blocked	0: Normal	Force the status of the function. Visible only when <i>Enable stage forcing</i> parameter is enabled in <i>General</i> menu.

Name	Range	Default	Description
Measured magnitude	1: RMS 2: TRMS 3: Peak-to-peak	1: RMS	Defines which available measured magnitude is used by the function. This parameter is available when "Input selection" has been set to "I01" or "I02".
Input selection	1: I01 2: I02 3: I0Calc	1: I01	Defines which measured residual current is used by the function.

Pick-up

The I_{0set} setting parameter controls the the pick-up of the I0> function. This defines the maximum allowed measured current before action from the function. The function constantly calculates the ratio between the I_{0set} and the measured magnitude (I_m) for each of the three phases. The reset ratio of 97 % is built into the function and is always relative to the I_{0set} value. The setting value is common for all measured phases. When the I_m exceeds the I_{0set} value (in single, dual or all phases) it triggers the pick-up operation of the function.

Table. 4.4.3 - 61. Pick-up settings.

Name	Description	Range	Step	Default
I_{0set}	Pick-up setting	$0.0001 \dots 40.00 \times I_n$	$0.0001 \times I_n$	$1.20 \times I_n$

The pick-up activation of the function is not directly equal to the START signal generation of the function. The START signal is allowed if the blocking condition is not active.

Read-only parameters

The relay's *Info* page displays useful, real-time information on the state of the protection function. It is accessed either through the relay's HMI display, or through the setting tool software when it is connected to the relay and its Live Edit mode is active.

Table. 4.4.3 - 62. Information displayed by the function.

Name	Range	Step	Description
I0> LN behaviour	1: On 2: Blocked 3: Test 4: Test/Blocked 5: Off	-	Displays the mode of NEF block. This parameter is visible only when <i>Allow setting of individual LN mode</i> is enabled in <i>General</i> menu.
I0> condition	0: Normal 1: Start 2: Trip 3: Blocked	-	Displays status of the protection function.
Detected I0 angle	$-360.00 \dots 360.00$ deg	0.01 deg	Angle of I0 against reference. If phase voltages are available, positive sequence voltage angle is used as reference. If voltages are not available, positive sequence current angle is used as reference.

Name	Range	Step	Description
Detected fault type	0: - 1: A-G-R 2: B-G-F 3: C-G-R 4: A-G-F 5: B-G-R 6: C-G-F	-	Displays the detected fault type and direction of previous fault. "A/B/C" stand for one of the three phases. "G" stands for "ground". "F" stands for "forward" direction and "R" stands for "reverse" direction.
Expected operating time	-1800.000...1800.000 s	0.005 s	Displays the expected operating time when a fault occurs. When IDMT mode is used, the expected operating time depends on the measured current value. If the measured current changes during a fault, the expected operating time changes accordingly.
Time remaining to trip	0.000...1800.000 s	0.005 s	When the function has detected a fault and counts down time towards a trip, this displays how much time is left before tripping occurs.
I_{meas}/I_{set} at the moment	0.00...1250.00	0.01	The ratio between the measured current and the pick-up value.

Function blocking

The block signal is checked in the beginning of each program cycle. The blocking signal is received from the blocking matrix in the function's dedicated input. Additionally, non-directional earth fault protection includes an internal inrush harmonic blocking option which is applied according to the parameters set by the user. If the blocking signal is not activated when the pick-up element activates, a START signal is generated and the function proceeds to the time characteristics calculation.

Table. 4.4.3 - 63. Internal inrush harmonic blocking settings.

Name	Description	Range	Step	Default
Inrush harmonic blocking (internal-only trip)	2 nd harmonic blocking enable/disable	0: No 1: Yes	-	0: No
2 nd harmonic block limit (I_{harm}/I_{fund})	2 nd harmonic blocking limit	0.10...50.00% I_{fund}	0.01% I_{fund}	0.01% I_{fund}

If the blocking signal is active when the pick-up element activates, a BLOCKED signal is generated and the function does not process the situation further. If the START function has been activated before the blocking signal, it resets and processes the release time characteristics similarly to when the pick-up signal is reset.

The blocking of the function causes an HMI display event and a time-stamped blocking event with information of the startup current values and its fault type to be issued.

The variables the user can set are binary signals from the system. The blocking signal needs to reach the device minimum of 5 ms before the set operating delay has passed in order for the blocking to activate in time.

Operating time characteristics for trip and reset

This function supports definite time delay (DT) and inverse definite minimum time delay (IDMT). For detailed information on these delay types please refer to the chapter "[General properties of a protection function](#)" and its section "[Operating time characteristics for trip and reset](#)".

Events and registers

The non-directional earth fault function (abbreviated "NEF" in event block names) generates events and registers from the status changes in START, TRIP and BLOCKED. The user can select which event messages are stored in the main event buffer: ON, OFF, or both. The function offers four (4) independent stages; the events are segregated for each stage operation.

The events triggered by the function are recorded with a time stamp and with process data values.

Table. 4.4.3 - 64. Event messages.

Event block name	Event names
NEF1	Start ON
NEF1	Start OFF
NEF1	Trip ON
NEF1	Trip OFF
NEF1	Block ON
NEF1	Block OFF
NEF2	Start ON
NEF2	Start OFF
NEF2	Trip ON
NEF2	Trip OFF
NEF2	Block ON
NEF2	Block OFF
NEF3	Start ON
NEF3	Start OFF
NEF3	Trip ON
NEF3	Trip OFF
NEF3	Block ON
NEF3	Block OFF
NEF4	Start ON
NEF4	Start OFF
NEF4	Trip ON
NEF4	Trip OFF
NEF4	Block ON
NEF4	Block OFF

The function registers its operation into the last twelve (12) time-stamped registers. The register of the function records the ON event process data for START, TRIP or BLOCKED. The table below presents the structure of the function's register content.

Table. 4.4.3 - 65. Register content.

Date and time	Event	Fault type	Pre-trigger current	Fault current	Pre-fault current	Trip time remaining	Used SG
dd.mm.yyyy hh:mm:ss.mss	Event name	A-G- R...C- G-F	Start/trip -20 ms current	Start/Trip current	Start -200ms current	0 ms...1800s	Setting group 1...8 active

4.4.4 Directional overcurrent protection (Idir>; 67)

The directional overcurrent function is used for instant and time-delayed overcurrent and short-circuits. A device with both voltage and current protection modules can have four (4) available stages of the function (Idir>, Idir>>, Idir>>>, Idir>>>>). The operating decisions are based on phase current magnitudes which the function constantly measures. The selectable monitored phase current magnitudes are equal to RMS values, to TRMS values (including harmonics up to 31st), or to peak-to-peak values. The blocking signal and the setting group selection control the operating characteristics of the function during normal operation, i.e. the user or user-defined logic can change function parameters while the function is running.

The directional overcurrent function uses a total of eight (8) separate setting groups which can be selected from one common source.

The function can operate on instant or time-delayed mode. In time-delayed mode the operation can be selected between definite time (DT) mode and inverse definite minimum time (IDMT). The IDMT operation supports both IEC and ANSI standard time delays as well as custom parameters. The function includes CT saturation checking which allows the function to start and operate accurately during CT saturation.

The operational logic consists of the following:

- input magnitude selection
- input magnitude and angle processing
- saturation check
- threshold comparator
- block signal check
- time delay characteristics
- output processing.

The basic design of the protection function is the three-pole operation.

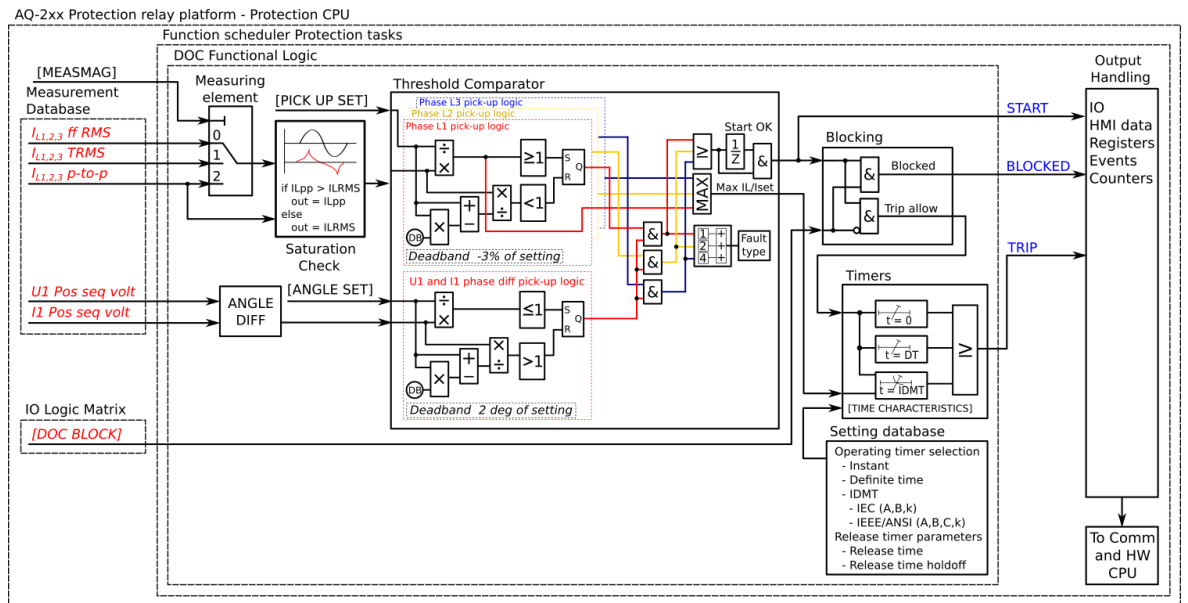
The inputs for the function are the following:

- operating mode selections
- setting parameters
- digital inputs and logic signals
- measured and pre-processed current magnitudes.

The function's outputs are START, TRIP and BLOCKED signals which can be used for direct I/O controlling and user logic programming. The function generates general time-stamped ON/OFF events to the common event buffer from each of the three (3) output signals. In the instant operating mode the function outputs START and TRIP events simultaneously with an equivalent time stamp. The time stamp resolution is 1 ms. The function also provides a resettable cumulative counter for the START, TRIP and BLOCKED events.

The following figure presents a simplified function block diagram of the directional overcurrent function.

Figure. 4.4.4 - 39. Simplified function block diagram of the Idir> function.



Measured input

The function block uses analog current measurement values. The user can select the monitored magnitude to be equal either to RMS values, to TRMS values, or to peak-to-peak values. TRMS mode uses values from the whole harmonic spectrum of 32 components. Peak-to-peak mode picks measurement values directly from the samples. A -20 ms averaged value of the selected magnitude is used for pre-fault data registering.

The fault current angle is based on the comparison between the positive sequence voltage U_1 and the positive sequence current I_1 . If the positive sequence voltage is not available (three line-to-line voltages but no U_0), the voltage angle is based on a faulty phase line-to-line voltage. If the voltage drops below 1 V in the secondary side during a fault, the voltage memory is used for 0.5 seconds. After that the reference angle of voltage is forced to 0° .

Table. 4.4.4 - 66. Measurement inputs of the Idir> function.

Signal	Description	Time base
IL1RMS	RMS measurement of phase L1 (A) current	5ms
IL2RMS	RMS measurement of phase L2 (B) current	5ms
IL3RMS	RMS measurement of phase L3 (C) current	5ms
IL1TRMS	TRMS measurement of phase L1 (A) current	5ms
IL2TRMS	TRMS measurement of phase L2 (B) current	5ms

Signal	Description	Time base
IL3TRMS	TRMS measurement of phase L3 (C) current	5ms
IL1PP	Peak-to-peak measurement of phase L1 (A) current	5ms
IL2PP	Peak-to-peak measurement of phase L2 (B) current	5ms
IL3PP	Peak-to-peak measurement of phase L3 (C) current	5ms
U ₁ RMS	RMS measurement of voltage U ₁ /V	5ms
U ₂ RMS	RMS measurement of voltage U ₂ /V	5ms
U ₃ RMS	RMS measurement of voltage U ₃ /V	5ms
U ₄ RMS	RMS measurement of voltage U ₄ /V	5ms

The selection of the used AI channel is made with a setting parameter. In all possible input channel variations the pre-fault condition is presented with a 20 ms averaged history value from -20 ms from START or TRIP event.

General settings

The following general settings define the general behavior of the function. These settings are static i.e. it is not possible to change them by editing the setting group.

Table. 4.4.4 - 67. General settings of the function.

Name	Range	Default	Description
Idir> LN mode	1: On 2: Blocked 3: Test 4: Test/ Blocked 5: Off	1: On	Set mode of DOC block. This parameter is visible only when <i>Allow setting of individual LN mode</i> is enabled in <i>General</i> menu.
Idir> force status to	0: Normal 1: Start 2: Trip 3: Blocked	0: Normal	Force the status of the function. Visible only when <i>Enable stage forcing</i> parameter is enabled in <i>General</i> menu.
Measured magnitude	1: RMS 2: TRMS 3: Peak-to-peak	1: RMS	Defines which available measured magnitude is used by the function.

Pick-up

The I_{set} setting parameter controls the pick-up of the I> function. This defines the maximum allowed measured current before action from the function. The function constantly calculates the ratio between the I_{set} and the measured magnitude (I_m) for each of the three phases. The reset ratio of 97 % is built into the function and is always relative to the I_{set} value. The setting value is common for all measured phases, and when the I_m exceeds the I_{set} value (in single, dual or all phases) it triggers the pick-up operation of the function.

The trip characteristic can be set to directional or non-directional. In the non-directional mode only the pick-up value of the positive sequence current magnitude must be fulfilled in order for the function to trip. In the directional mode the fault must also be in the monitored direction to fulfill the terms to trip. By default, the tripping area is $\pm 88^\circ$ (176°). The reference angle is based on the calculated positive sequence voltage U_1 angle. If the U_1 voltage is not available and only line-to-line voltages are measured, the reference angle is based on a healthy line-to-line voltage. During a short-circuit the reference angle is based on impedance calculation.

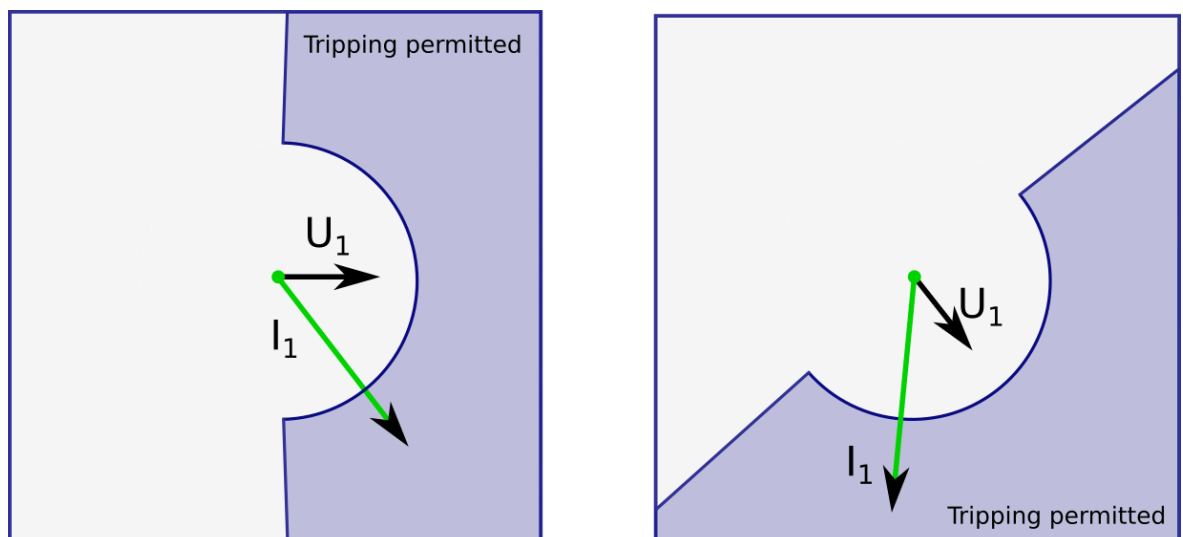
If the voltage drops below 1 V in the secondary side, the angle memory is used for 0.5 seconds. The angle memory forces the reference angle to be equal to the value measured or calculated before the fault. The angle memory captures the measured voltage angle 100 ms before the fault starts. After 0.5 seconds the angle memory is no longer used, and the reference angle is forced to 0° . The inbuilt reset ratio for the tripping area angle is 2° .

Table. 4.4.4 - 68. Pick-up settings.

Name	Description	Range	Step	Default
Characteristic direction	Switches between directional and non-directional overcurrent mode.	Directional Non-directional	-	Directional
Operating sector size (+ / -)	Pick-up area size in degrees.	$\pm 1.0 \dots 170.0^\circ$	0.1°	$\pm 88^\circ$
Operating sector center	Turns the operating sector	$-180.0 \dots 180.0^\circ$	0.1°	0°
Pick-up setting I_{set}	Pick-up setting	$0.10 \dots 40.00 \times I_n$	$0.01 \times I_n$	$1.20 \times I_n$

The pick-up activation of the function is not directly equal to the START signal generation of the function. The START signal is allowed also when the blocking condition is active.

Figure. 4.4.4 - 40. Angle tracking of the I_{dir} function (3LN/3LL + U_0 mode).



Please note in the picture above that the tripping area is linked to the angle of the positive sequence voltage U_1 . The angle of the positive sequence current I_1 is compared to U_1 angle, and if the fault is in the correct direction, it is possible to perform a trip when the amplitude of I_{L1} , I_{L2} or I_{L3} increases above the pick-up limit.

If the 3LL mode is used without the U_0 measurement in a single-phase fault situation, the voltage reference comes from the healthy phase and the current reference from the faulty phase. In a short-circuit the angle comes from impedance calculation.

Figure. 4.4.4 - 41. Operation sector area when the sector center has been set to -45 degrees.

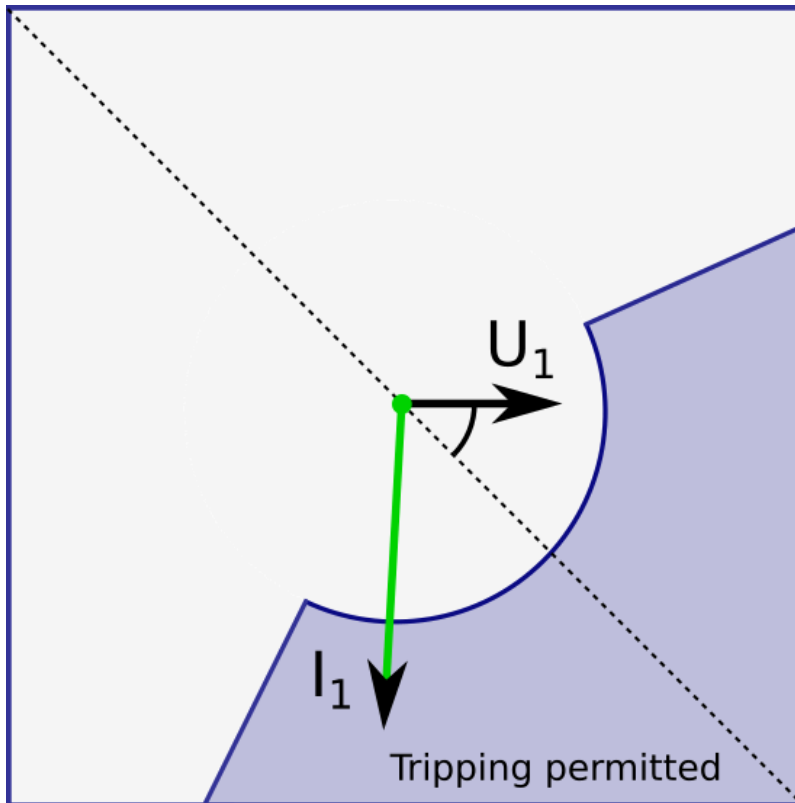
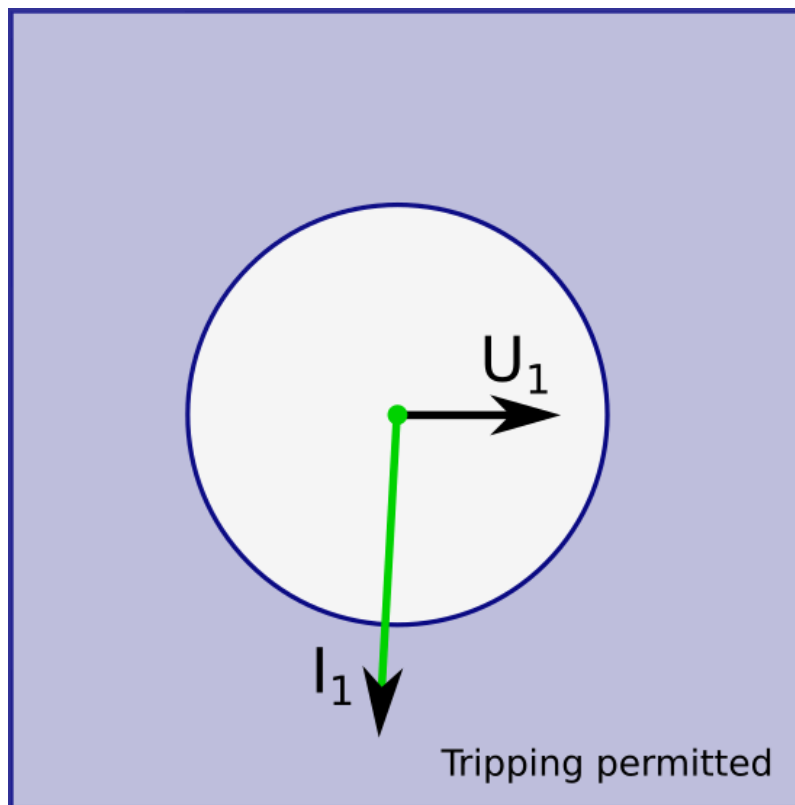


Figure. 4.4.4 - 42. When I_{dir} function has been set to "Non-directional" the function works basically just like a traditional non-directional overcurrent protection function.



Read-only parameters

The relay's *Info* page displays useful, real-time information on the state of the protection function. It is accessed either through the relay's HMI display, or through the setting tool software when it is connected to the relay and its Live Edit mode is active.

Table. 4.4.4 - 69. Information displayed by the function.

Name	Range	Step	Description
I_{dir} > LN behaviour	1: On 2: Blocked 3: Test 4: Test/Blocked 5: Off	-	Displays the mode of DOC block. This parameter is visible only when <i>Allow setting of individual LN mode</i> is enabled in <i>General</i> menu.
Operating angle now	-360.00...360.00deg	0.01deg	The positive sequence current angle in relation to the positive sequence voltage.
Expected operating time	0.000...1800.00s	0.005s	Displays the expected operating time when a fault occurs. When IDMT mode is used, the expected operating time depends on the highest measured phase current value. If the measured current changes during a fault, the expected operating time changes accordingly.
Time remaining to trip	-1800.000...1800.00s	0.005s	When the function has detected a fault and counts down time towards a trip, this displays how much time is left before tripping occurs.

Name	Range	Step	Description
I_{meas}/I_{set} at the moment	0.00...1250.00 I_m/I_{set}	0.01 I_m/I_{set}	The ratio between the highest measured phase current and the pick-up value.

Function blocking

The block signal is checked in the beginning of each program cycle. The blocking signal is received from the blocking matrix in the function's dedicated input. Additionally, the directional overcurrent function includes an internal inrush harmonic blocking option which is applied according to the parameters set by the user. When the pick-up element activates, a START signal is generated and the function proceeds to the time characteristics calculation.

Table. 4.4.4 - 70. Internal inrush harmonic blocking settings.

Name	Description	Range	Step	Default
Inrush harmonic blocking (internal-only trip)	Enables and disables the 2 nd harmonic blocking.	0: No 1: Yes	-	0: No
2 nd harmonic blocking limit (I_{harm}/I_{fund})	The 2 nd harmonic blocking limit.	0.10...50.00% I_{fund}	0.01% I_{fund}	0.01% I_{fund}

If the blocking signal is active when the pick-up element activates, a BLOCKED signal is generated and the function does not process the situation further. If the START function has been activated before the blocking signal, time characteristics are reset and the release time characteristics are processed similarly to when the pick-up signal is reset.

The blocking of the function causes an HMI display event and a time-stamped blocking event with information of the startup current values and its fault type to be issued.

The variables the user can set are binary signals from the system. The blocking signal needs to reach the device minimum of 5 ms before the set operating delay has passed in order for the blocking to activate in time.

Operating time characteristics for trip and reset

This function supports definite time delay (DT) and inverse definite minimum time delay (IDMT). For detailed information on these delay types please refer to the chapter "[General properties of a protection function](#)" and its section "[Operating time characteristics for trip and reset](#)".

Events and registers

The directional overcurrent function (abbreviated "DOC" in event block names) generates events and registers from the status changes in START, TRIP and BLOCKED. The user can select which event messages are stored in the main event buffer: ON, OFF, or both. The function offers four (4) independent stages; the events are segregated for each stage operation.

The events triggered by the function are recorded with a time stamp and with process data values.

Table. 4.4.4 - 71. Event messages.

Event block name	Event names
DOC1	Start ON

Event block name	Event names
DOC1	Start OFF
DOC1	Trip ON
DOC1	Trip OFF
DOC1	Block ON
DOC1	Block OFF
DOC1	No voltage, Blocking ON
DOC1	Voltage measurable, Blocking OFF
DOC1	Measuring live angle ON
DOC1	Measuring live angle OFF
DOC1	Using voltmem ON
DOC1	Using voltmem OFF
DOC2	Start ON
DOC2	Start OFF
DOC2	Trip ON
DOC2	Trip OFF
DOC2	Block ON
DOC2	Block OFF
DOC2	No voltage, Blocking ON
DOC2	Voltage measurable, Blocking OFF
DOC2	Measuring live angle ON
DOC2	Measuring live angle OFF
DOC2	Using voltmem ON
DOC2	Using voltmem OFF
DOC3	Start ON
DOC3	Start OFF
DOC3	Trip ON
DOC3	Trip OFF
DOC3	Block ON
DOC3	Block OFF
DOC3	No voltage, Blocking ON
DOC3	Voltage measurable, Blocking OFF

Event block name	Event names
DOC3	Measuring live angle ON
DOC3	Measuring live angle OFF
DOC3	Using voltmem ON
DOC3	Using voltmem OFF
DOC4	Start ON
DOC4	Start OFF
DOC4	Trip ON
DOC4	Trip OFF
DOC4	Block ON
DOC4	Block OFF
DOC4	No voltage, Blocking ON
DOC4	Voltage measurable, Blocking OFF
DOC4	Measuring live angle ON
DOC4	Measuring live angle OFF
DOC4	Using voltmem ON
DOC4	Using voltmem OFF

The function registers its operation into the last twelve (12) time-stamped registers; this information is available for all provided instances separately. The register of the function records the ON event process data for START, TRIP or BLOCKED. The table below presents the structure of the function's register content.

Table. 4.4.4 - 72. Register content.

Register name	Description
Date and time	dd.mm.yyyy hh:mm:ss.mss
Event	Event name
Fault type	L1-E...L1-L2-L3
Pre-trigger current	Start/Trip -20ms current
Fault current	Start/Trip current
Pre-fault current	Start -200ms averages
Trip time remaining	0s...1800s
Used SG	Setting group 1...8 active
Operating angle	0...250°

4.4.5 Directional earth fault protection (I0dir>; 67N/32N)

The directional earth fault function is used for instant and time-delayed earth fault protection. A device with both voltage and current protection modules can have four (4) stages in the function (I0dir>, I0dir>>, I0dir>>>, I0dir>>>>). The operating decisions are based on selected neutral current and voltage magnitudes which the function constantly measures. The available residual current magnitudes are RMS values, TRMS values (including harmonics up to 31st), or peak-to-peak values that come from inputs I01 or I02 (residual current measurement) or from I0Calc (residual current calculated from phase current measurements). The current angle is compared to the angle of measured or calculated zero sequence voltage. A certain amount of zero sequence voltage has to be present to activate the trip. The blocking signal and the setting group selection control the operating characteristics of the function during normal operation, i.e. the user or user-defined logic can change function parameters while the function is running.

The directional earth fault function uses a total of eight (8) separate setting groups which can be selected from one common source.

The function can operate on instant or time-delayed mode. In the time-delayed mode the operation can be selected for definite time (DT) or for inverse definite minimum time (IDMT); the IDMT operation supports both IEC and ANSI standard time delays as well as custom parameters.

The operational logic consists of the following:

- input magnitude selection
- input magnitude processing
- threshold comparator
- angle check
- block signal check
- time delay characteristics
- output processing.

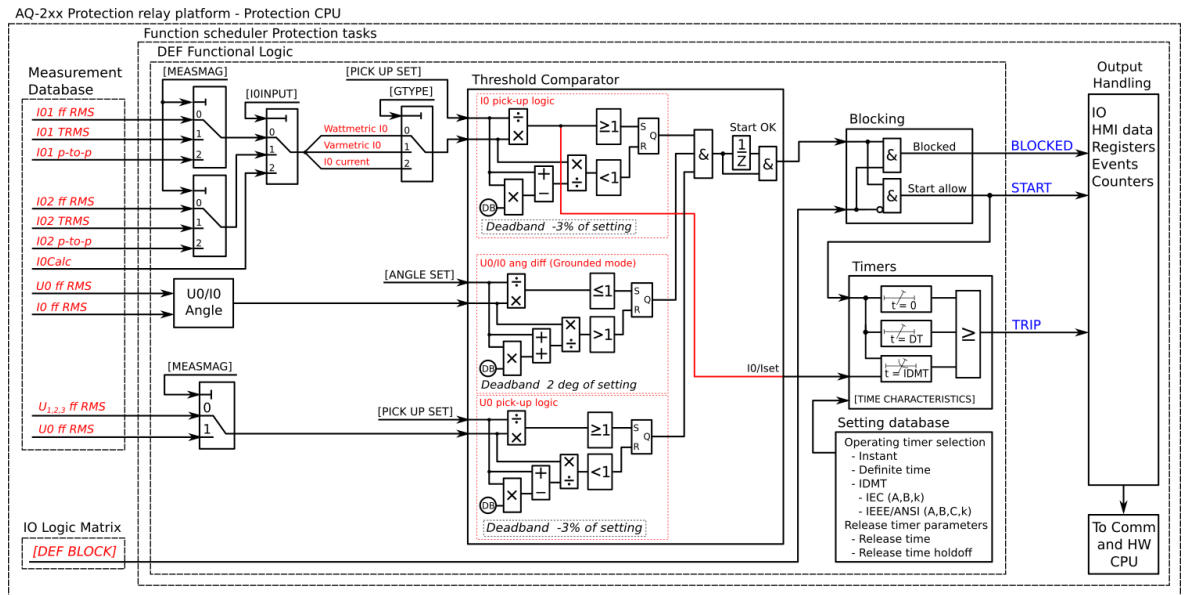
The inputs for the function are the following:

- operating mode selections
- setting parameters
- digital inputs and logic signals
- measured and pre-processed current magnitudes.

The function's outputs are START, TRIP and BLOCKED signals which can be used for direct I/O controlling and user logic programming. The function generates general time-stamped ON/OFF events to the common event buffer from each of the three (3) output signals. In the instant operating mode the function outputs START and TRIP events simultaneously with an equivalent time stamp. The time stamp resolution is 1 ms. The function also provides a cumulative counter for the START, TRIP and BLOCKED events.

The following figure presents a simplified function block diagram of the directional earth fault function.

Figure. 4.4.5 - 43. Simplified function block diagram of the I0dir> function.



Measured input

The function block uses analog current measurement values. The user can select the monitored magnitude to be equal either to RMS values, to TRMS values, or to peak-to-peak values. TRMS mode uses values from the whole harmonic spectrum of 32 components. Peak-to-peak mode picks measurement values directly from the samples. A -20 ms averaged value of the selected magnitude is used for pre-fault data registering.

The fault current angle is based on comparing the neutral voltage U_0 angle to the residual current I_0 angle. Both I_0 and U_0 must be above the squelch limit to be able to detect the angle. The squelch limit for the I_0 current is $0.01 \times I_n$ and for the U_0 voltage $0.01 \times U_n$.

Table. 4.4.5 - 73. Measurement inputs of the I0dir> function.

Signal	Description	Time base
I01RMS	RMS measurement of coarse residual current measurement input I01	5ms
I01TRMS	TRMS measurement of coarse residual current measurement input I01	5ms
I01PP	Peak-to-peak measurement of coarse residual current measurement input I01	5ms
I02RMS	RMS measurement of sensitive residual current measurement input I02	5ms
I02TRMS	TRMS measurement of coarse sensitive current measurement input I02	5ms
I02PP	Peak-to-peak measurement of sensitive residual current measurement input I02	5ms
I0Calc	RMS value of the calculated residual current from the three phase currents	5ms
U0RMS	RMS measurement of zero sequence voltage measurement input U0	5ms
U0Calc	RMS value of the calculated zero sequence voltage from the three phase voltages	5ms

The selection of the used AI channel is made with a setting parameter. In all possible input channel variations the pre-fault condition is presented with a 20 ms averaged history value from -20 ms from a START or TRIP event.

General settings

The following general settings define the general behavior of the function. These settings are static i.e. it is not possible to change them by editing the setting group.

Table. 4.4.5 - 74. General settings of the function.

Name	Range	Default	Description
I0dir> LN mode	1: On 2: Blocked 3: Test 4: Test/ Blocked 5: Off	1: On	Set mode of DEF block. This parameter is visible only when <i>Allow setting of individual LN mode</i> is enabled in <i>General</i> menu.
I0dir> force status to	0: Normal 1: Start 2: Trip 3: Blocked 4: Unearthed Start 5: Unearthed Trip 6: Compensated Start 7: Compensated Trip	0: Normal	Force the status of the function. Visible only when <i>Enable stage forcing</i> parameter is enabled in <i>General</i> menu.
U0 directional phase	1: U0 2: -U0	1: U0	If the connected neutral voltage polarity is opposite to the connected residual current, this parameter can swap the angle reference.
U0> Meas input select	1: Select 2: U0 Calculated 3: U3 Input 4: U4 Input	1: Select	Defines which available neutral voltage measurement is used. Available neutral voltages depend on measurement settings (<i>Measurements</i> → <i>Transformers</i> → <i>VT module</i>).
Measured magnitude	1: RMS 2: TRMS 3: Peak-to-peak	1: RMS	Defines which available measured magnitude is used by the function. This parameter is available when "Input selection" has been set to "I01" or "I02".
Input selection	1: I01 2: I02 3: I0Calc	1: I01	Defines which measured residual current is used by the function.

Pick-up

The the pick-up of the I0dir> function is controlled by the $I0_{set}$ setting parameter and the $U0_{set}$ setting parameter. The former defines the maximum allowed measured current, while the latter defines the maximum allowed measured voltage and checks the angle difference before action from the function. The function constantly calculates the ratio between the $I0_{set}$ and the $U0_{set}$ and the measured magnitudes (I_m and U_m). The reset ratio of 97 % is built into the function and is always relative to the $I0_{set}$ (or $U0_{set}$) value. When the I_m exceeds the $I0_{set}$ value it triggers the pick-up operation of the function.

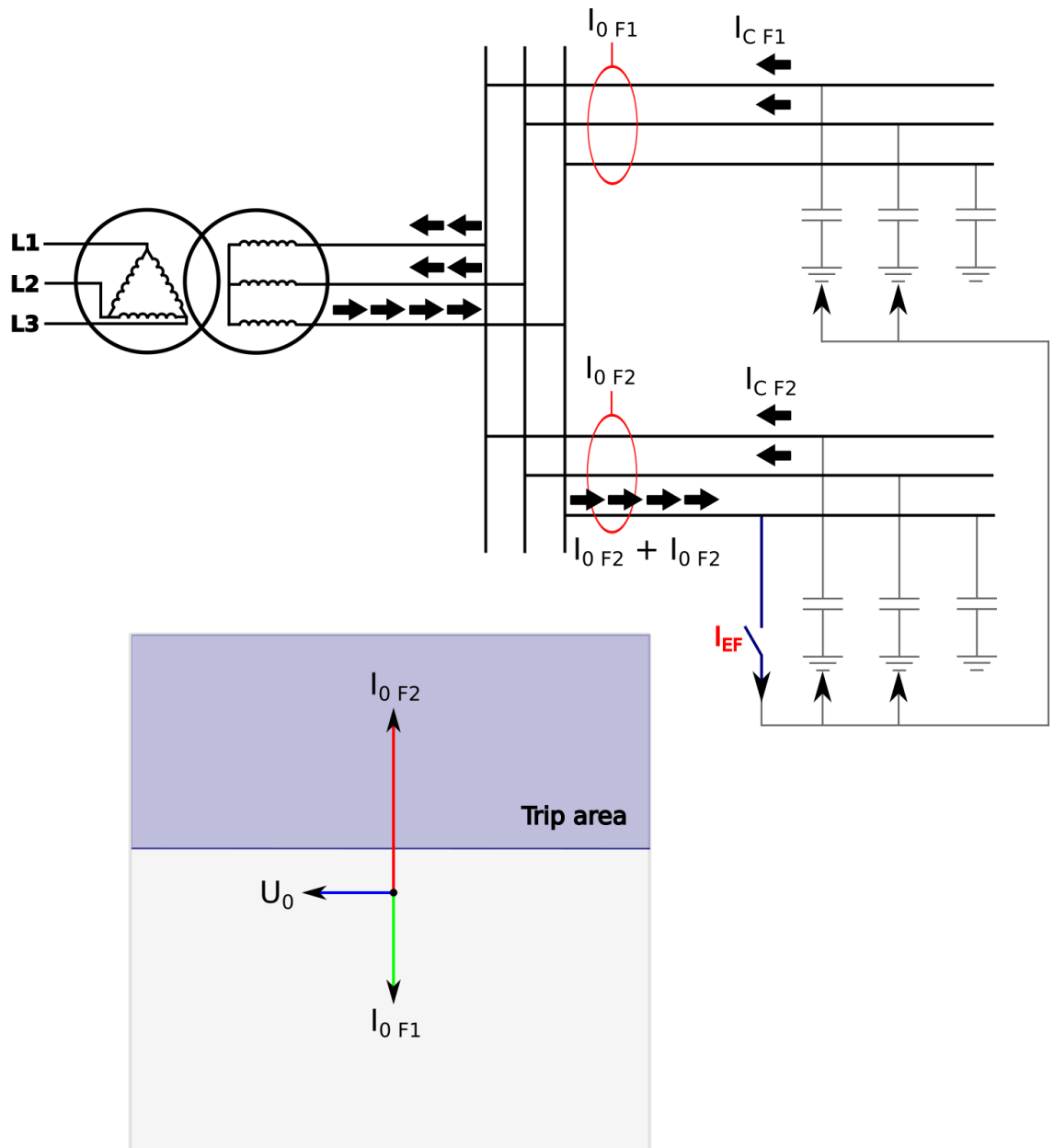
Table. 4.4.5 - 75. Pick-up settings.

Name	Description	Range	Step	Default
I_{0set}	Pick-up setting	$0.005...40.00 \times I_n$	$0.001 \times I_n$	$1.20 \times I_n$
U_{0set}	Pick-up setting	$1...75\%U_n$	$0.01\%U_n$	$20\%U_n$
Grounding type	Network grounding method	1: Unearthed [32N Var] 2: Petersen coil GND [32N Watt] 3: Grounded [67N] 4: I_{0Cos} & I_{0Sin} broad range with MCD [32N Var/Watt]	-	1: Unearthed
Multi-criteria detection	Activation of detecting healthy or unhealthy feeder by analyzing symmetrical components of currents and voltages. Visible when earthing type is set to I_{0Cos} & I_{0Sin} broad range mode.	1: Not used 2: Used	-	1: Not used
Unearthed/Compensated border angle	Dividing the angle between unearthed and compensated tripping (see description later in this document). Visible when earthing type is set to I_{0Cos} & I_{0Sin} broad range mode.	$-45.0...90^\circ$	0.1°	45°
Angle	Tripping area size (earthed network)	$\pm 45.0...135.0^\circ$	0.1°	$\pm 88^\circ$
Angle offset	Protection area direction (earthed network)	$0.0...360.0^\circ$	0.1°	0.0°
Angle blinder	I_0 angle blinder (Petersen coil earthed)	$-90.0...0.0^\circ$	0.1°	-90°

The pick-up activation of the function is not directly equal to the START signal generation of the function. The START signal is allowed if the blocking condition is not active.

Unearthed network

Figure. 4.4.5 - 44. Angle tracking of I_{0dir} function (unearthed network model) (32N)



When the unearthed (capacitive) network mode is chosen, the device expects the fault current to be lagging zero sequence voltage by 90 degrees. Healthy phases of healthy feeders produce capacitive current during earth fault just like a faulty feeder but the current is floating towards the busbar and through an incoming transformer or a earthing transformer and into a faulty feeder. Healthy feeders do not trip since capacitive current is floating to the opposite direction and selective tripping can be ensured.

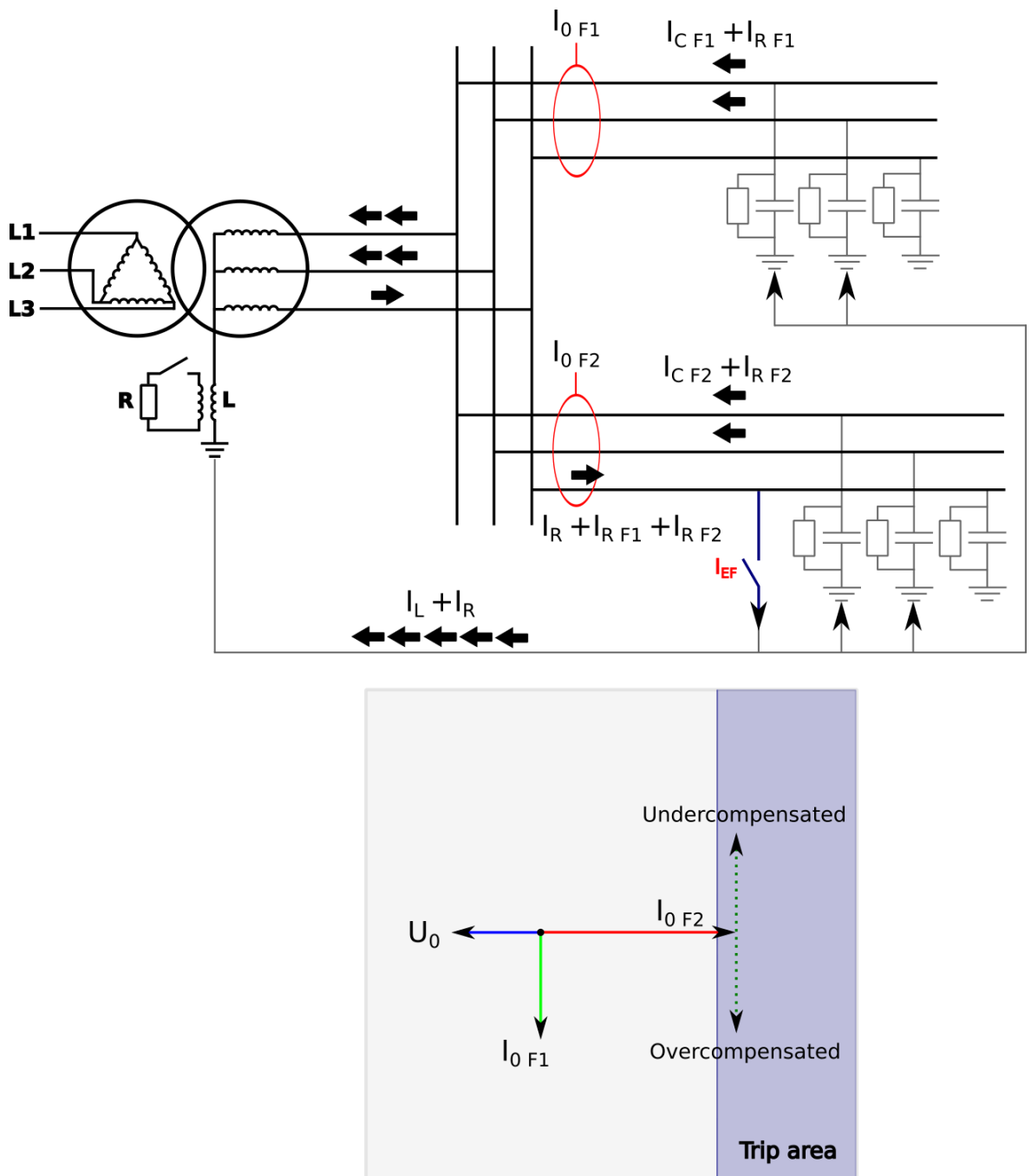
The amplitude of the fault current depends on the capacitance of the network. The outgoing feeders are the sources for capacitive currents. The bigger the network the greater the capacitive current during a fault. Each outgoing feeder produces capacitance according to the zero sequence capacitive reactance of the line (ohms per kilometer). It is normal that in cable networks fault currents are higher than in overhead lines.

The resistance of the fault affects the size of the voltage drop during a fault. In direct earth fault the zero sequence voltage amplitude is equal to the system's line-to-earth voltage. In direct earth fault the voltage of a faulty phase drops close to zero and healthy phase voltages increase to the amplitude of line-to-line voltages.

Petersen coil earthed (Compensated) network (32N)

There are many benefits to a Petersen coil earthed network. The amount of automatic reclosing is highly decreased and the maintenance of the breakers is therefore diminished. Arc faults die on their own, and cables and equipment suffer less damage. In emergency situations a line with an earth fault can be used for a specific time.

Figure. 4.4.5 - 45. Angle tracking of I_{0dir} function (Petersen coil earthed network model).

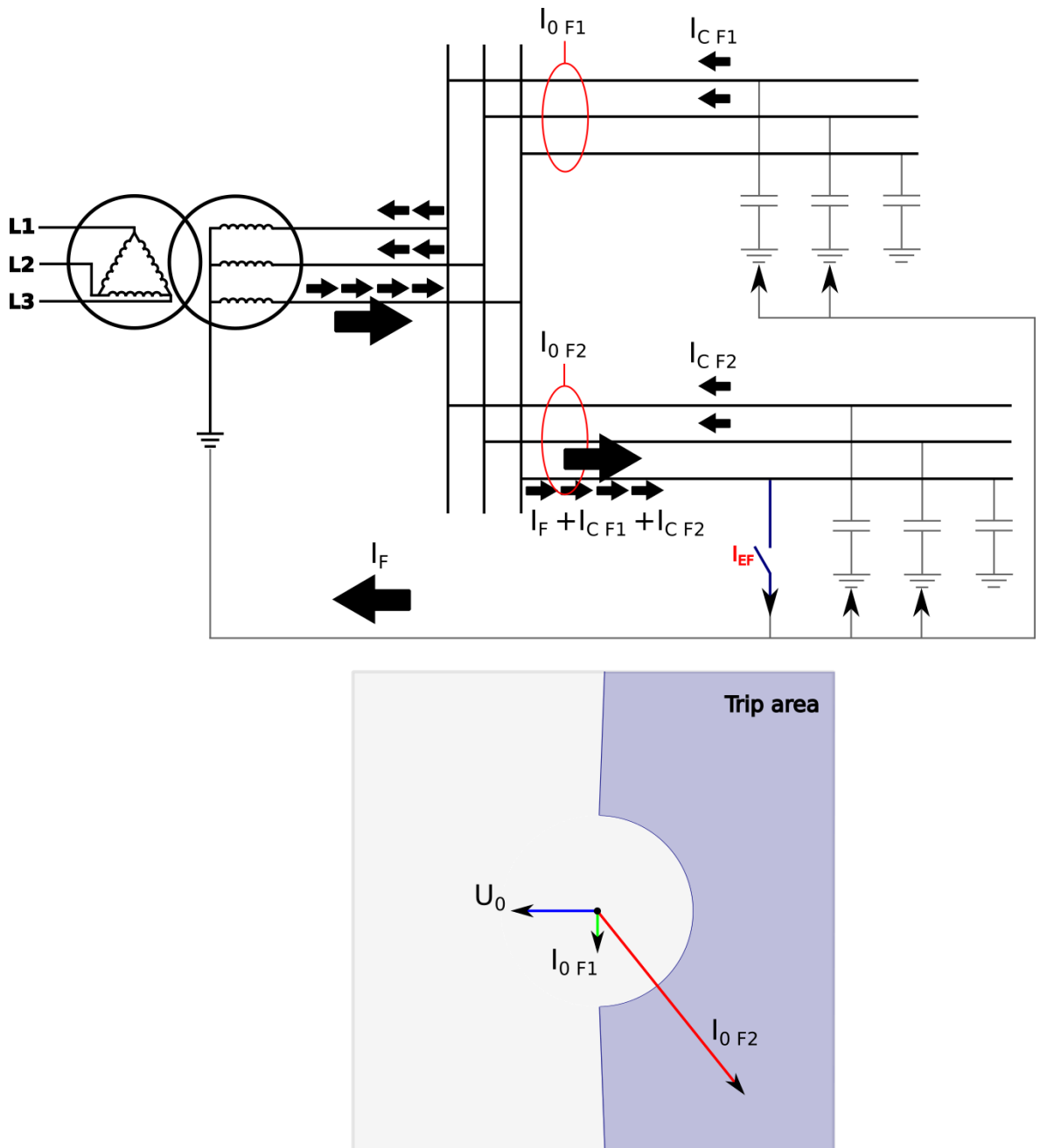


When the Petersen coil earthed (compensated) network mode is chosen, the device expects the fault current to be in the opposite direction to the zero sequence voltage. Healthy phases of both healthy and faulty feeders produce a capacitive current similar to the unearthed network. The inductance of the Petersen coil compensates the capacitive current and therefore the residual current in a fault location is close to zero. The size of the inductance is chosen according to the prospective earth fault current of the network. The desired compensation grade is achieved when the K factor is close to 1.0 and the network is fully compensated. The network is overcompensated when the K factor is greater than 1.0, and undercompensated when the K factor is smaller than 1.0.

The inductance connected to the star point of an incoming transformer or -as in most cases- to a earthing transformer compensates the capacitance of the network; however, this prevents the capacitive fault current to be measured. The fault detection is handled by connecting the resistance in parallel with the inductance. This resistance includes the amplitude of the fault current. In undercompensated or overcompensated situations the resistive component does not change during the fault; therefore, selective tripping is ensured even when the network is slightly undercompensated or overcompensated.

Directly earthed or small impedance network (67N)

Figure. 4.4.5 - 46. Angle tracking of I_{0dir} function (directly earthed or small impedance network).



In a directly earthed network the amplitude of a single-phase fault current is similar to the amplitude of a short-circuit current. Directly earthed or small impedance network schemes are normal in transmission, distribution and industry.

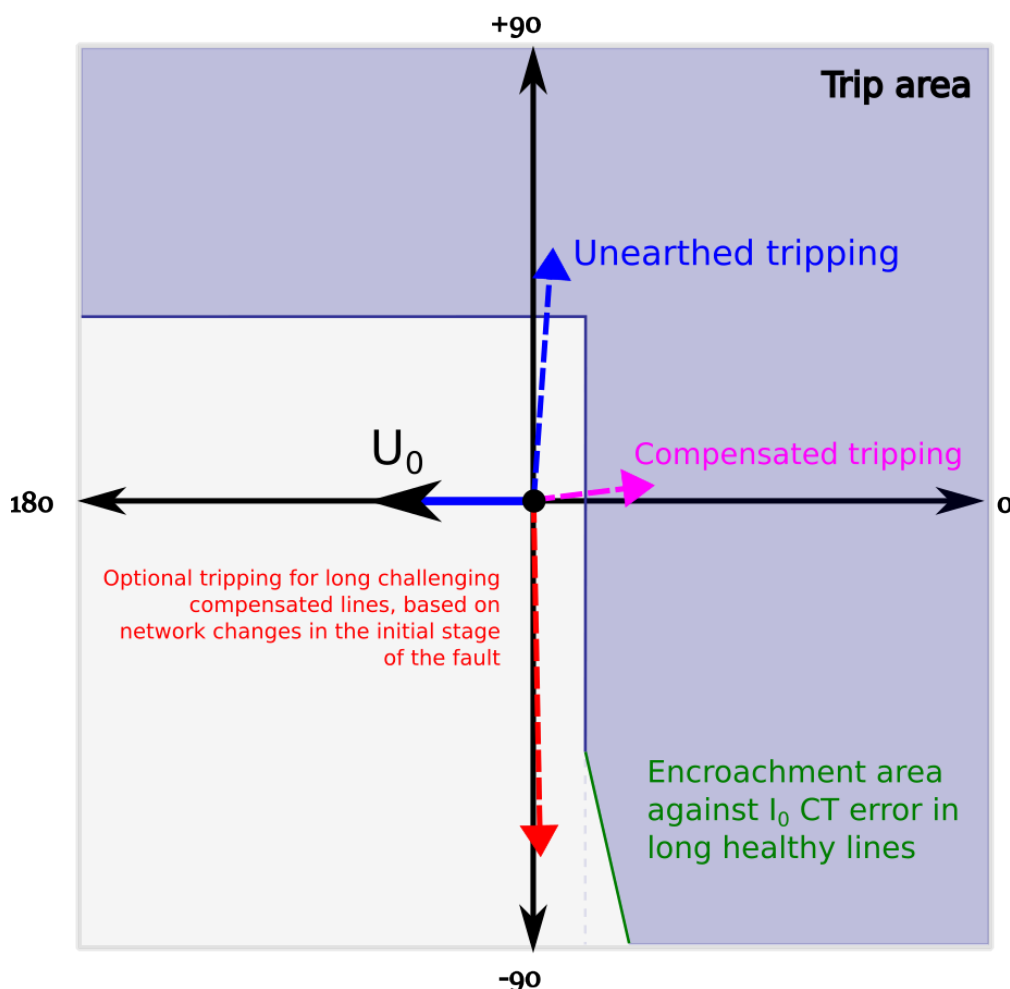
The phase angle setting of the tripping area is adjustable as is the base direction of the area (angle offset).

Broad range mode with multi-criteria detection for unearthed and compensated networks

When detecting earth faults in compensated long-distance cables and overhead lines, it is in some cases difficult to distinguish between a healthy and a faulty feeder. Merely measuring the angle and the magnitude of residual voltage and currents is not always enough, as changes in symmetrical components of phase currents and voltages are also needed. Additionally, when protecting feeders from earth faults, two modes are used depending on the network status (unearthed or compensated). When changing between these two statuses the setting group must be changed, and especially with distributed compensation the change may be difficult or impossible to arrange. Finally, in a compensated network protection the relay with traditional algorithms may sporadically detect an earth fault in a long healthy feeder due to CT errors. For all these reasons, Arcteq has developed an improved alternative to these traditional directional earth fault protections.

Figure. 4.4.5 - 47. Angle tracking of the I0dir> function (broad range mode).

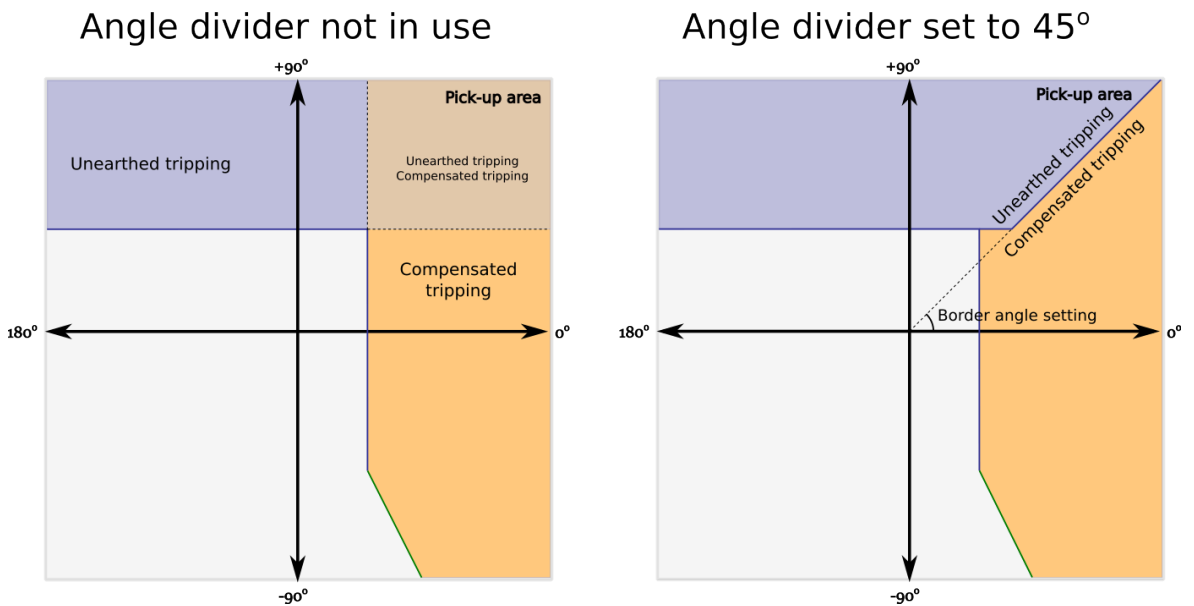
New broadrange mode



The new broad range mode is capable of detecting an earth fault directionally in both unearthed and compensated networks not only by combining the two stages together but by using a new multi-criteria detection. This optional additional tripping condition for compensated networks uses Arcteq's patented, high-resolution intermittent earth fault algorithm with added symmetrical component calculation of phase currents and voltages. If this mode is activated, the alarming criteria is comprised of a measured residual current in the fourth quadrant and the symmetrical components of voltages and currents detecting a fault. No extra parameterization is required compared to the traditional method. The multi-criteria algorithm can be tested with COMTRADE files supplied by Arcteq. The function requires a connection of three-phase currents, residual current and residual voltage to operate correctly.

To avoid unnecessary alarms the user can add an encroachment area against IO CT errors in compensated long healthy lines.

Figure. 4.4.5 - 48. Effect of angle divider when in use and when disabled.



To receive a more accurate indication as to whether the fault was in a compensated or an unearthed network the angle divider can divide the area which would otherwise be overlapped between the two network models. By default the setting is 45 degrees. When the divider is disabled the angle is set to zero degrees.

Read-only parameters

The relay's *Info* page displays useful, real-time information on the state of the protection function. It is accessed either through the relay's HMI display, or through the setting tool software when it is connected to the relay and its Live Edit mode is active.

Table. 4.4.5 - 76. Information displayed by the function.

Name	Range	Step	Description
I0dir> LN behaviour	1: On 2: Blocked 3: Test 4: Test/Blocked 5: Off	1: On	Set mode of NOC block. This parameter is visible only when <i>Allow setting of individual LN mode</i> is enabled in <i>General</i> menu.

Name	Range	Step	Description
I0dir> condition	0: Normal 1: Start 2: Trip 3: Blocked	-	Displays the status of the protection function.
U0> Measuring now	0: No U0 avail! 1: U0Calc 2: U3 Input 3: U4 Input	-	Displays which voltage channel is used by the function. If no voltage channel has been selected the function defaults to calculated residual voltage if line-to-neutral voltages have been connected to device. If no channel is set to "U0" mode and line-to-line voltages are connected, no residual voltage is available and "No U0 avail!" will be displayed.
U0> Pick-up setting	0.0...1 000 000V	0.1V	The required residual voltage on the primary side for the relay to trip.
Detected U0/ I0 angle (fi)	-360.00...360.00deg	0.01deg	The angle in degrees between the monitored residual voltage and the current.
I0 Magnitude	0.000...250.000×I0n	0.001×I0n	The per-unit-value of the monitored residual current.
I0 Wattmetric I0xCos(fi)	-250.000...250.000×I0n	0.001×I0n	The wattmetric per-unit-value of the monitored residual current.
I0 Varmetric I0xSin(fi)	-250.000...250.000×I0n	0.001×I0n	The varmetric per-unit-value of the monitored residual current.
I0 direction now	0: Undefined 1: Forward 2: Reverse	-	The detected direction of the residual current.
I0 meas/ I0 set now	-250.000...250.000×I0n	0.001×I0n	The ratio between the monitored residual current and the pick-up value.
U0 measurement now	0.000...500.000%U0n	0.001%U0n	The measured voltage in the chosen voltage channel.
Expected operating time	0.000...1800.000s	0.005s	Displays the expected operating time when a fault occurs. When IDMT mode is used, the expected operating time depends on the measured current value. If the measured current changes during a fault, the expected operating time changes accordingly.
Time remaining to trip	-1800.000...1800.000s	0.005s	When the function has detected a fault and counts down time towards a trip, this displays how much time is left before tripping occurs.

Function blocking

The block signal is checked in the beginning of each program cycle. The blocking signal is received from the blocking matrix in the function's dedicated input. Additionally, the directional earth fault protection function includes an internal inrush harmonic blocking option which is applied according to the parameters set by the user. If the blocking signal is not activated when the pick-up element activates, a START signal is generated and the function proceeds to the time characteristics calculation.

Table. 4.4.5 - 77. Internal inrush harmonic blocking settings.

Name	Description	Range	Step	Default
Inrush harmonic blocking (internal-only trip)	Enables and disables the 2 nd harmonic blocking.	0: No 1: Yes	-	0: No
2 nd harmonic blocking limit (I _{harm} /I _{fund})	The 2 nd harmonic blocking limit.	0.10...50.00%I _{fund}	0.01%I _{fund}	0.01%I _{fund}

If the blocking signal is active when the pick-up element activates, a BLOCKED signal is generated and the function does not process the situation further. If the START function has been activated before the blocking signal, it resets and the release time characteristics are processed similarly to when the pick-up signal is reset.

The blocking of the function causes an HMI display event and a time-stamped blocking event with information of the startup current values and its fault type to be issued.

The variables the user can set are binary signals from the system. The blocking signal needs to reach the device minimum of 5 ms before the set operating delay has passed in order for the blocking to activate in time.

Operating time characteristics for trip and reset

This function supports definite time delay (DT) and inverse definite minimum time delay (IDMT). For detailed information on these delay types please refer to the chapter "[General properties of a protection function](#)" and its section "[Operating time characteristics for trip and reset](#)".

Events and registers

The directional overcurrent function (abbreviated "DEF" in event block names) generates events and registers from the status changes in START, TRIP and BLOCKED. The user can select which event messages are stored in the main event buffer: ON, OFF, or both. The function offers four (4) independent stages; the events are segregated for each stage operation.

The events triggered by the function are recorded with a time stamp and with process data values.

Table. 4.4.5 - 78. Event messages.

Event block name	Event name
DEF1	Start ON
DEF1	Start OFF
DEF1	Trip ON
DEF1	Trip OFF
DEF1	Block ON
DEF1	Block OFF
DEF1	I0Cosfi Start ON
DEF1	I0Cosfi Start OFF
DEF1	I0Sinf1 Start ON

Event block name	Event name
DEF1	I0Sinfi Start OFF
DEF1	I0Cosfi Trip ON
DEF1	I0Cosfi Trip OFF
DEF1	I0Sinfi Trip ON
DEF1	I0Sinfi Trip OFF
DEF2	Start ON
DEF2	Start OFF
DEF2	Trip ON
DEF2	Trip OFF
DEF2	Block ON
DEF2	Block OFF
DEF2	I0Cosfi Start ON
DEF2	I0Cosfi Start OF
DEF2	I0Sinfi Start ON
DEF2	I0Sinfi Start OFF
DEF2	I0Cosfi Trip ON
DEF2	I0Cosfi Trip OFF
DEF2	I0Sinfi Trip ON
DEF2	I0Sinfi Trip OFF
DEF3	Start ON
DEF3	Start OFF
DEF3	Trip ON
DEF3	Trip OFF
DEF3	Block ON
DEF3	Block OFF
DEF3	I0Cosfi Start ON
DEF3	I0Cosfi Start OFF
DEF3	I0Sinfi Start ON
DEF3	I0Sinfi Start OFF
DEF3	I0Cosfi Trip ON
DEF3	I0Cosfi Trip OFF

Event block name	Event name
DEF3	I0Sinfi Trip ON
DEF3	I0Sinfi Trip OFF
DEF4	Start ON
DEF4	Start OFF
DEF4	Trip ON
DEF4	Trip OFF
DEF4	Block ON
DEF4	Block OFF
DEF4	I0Cosfi Start ON
DEF4	I0Cosfi Start OFF
DEF4	I0Sinfi Start ON
DEF4	I0Sinfi Start OFF
DEF4	I0Cosfi Trip ON
DEF4	I0Cosfi Trip OFF
DEF4	I0Sinfi Trip ON
DEF4	I0Sinfi Trip OFF

The function registers its operation into the last twelve (12) time-stamped registers; this information is available for all provided instances separately. The register of the function records the ON event process data for START, TRIP or BLOCKED. The table below presents the structure of the function's register content.

Table. 4.4.5 - 79. Register content.

Register	Description
Event	Event name
Date and time	dd.mm.yyyy hh:mm:ss.mss
I ₀ pre-triggering current	Start/Trip -20ms current
I ₀ fault current	Start/Trip current
Fault capacitive I ₀	Start/Trip capacitive current
Fault resistive I ₀	Start/Trip resistive current
Fault U ₀ (%)	Start/Trip voltage (percentage of nominal)
Fault U ₀ (V)	Start/Trip voltage (in Volts)
I ₀ fault angle	0...360°

Register	Description
Trip time remaining	0 ms...1800s
Used SG	Setting group 1...8 active
Network GND	Unearthed, Petersen coil earthed, Earthed network
I_0 pre-fault current	Start -200ms current

4.4.6 Negative sequence overcurrent/ phase current reversal/ current unbalance protection ($I_2 >$; 46/46R/46L)

The current unbalance function is used for instant and time-delayed unbalanced network protection and for detecting broken conductors. The number of stages in the function depends on the relay model. The operating decisions are based on negative and positive sequence current magnitudes which the function constantly measures. In the broken conductor mode (I_2/I_1) the minimum allowed loading current is also monitored in the phase current magnitudes.

There are two possible operating modes available: the I_2 mode monitors the negative sequence current, while the I_2/I_1 mode monitors the ratio between the negative sequence current and the positive sequence current. The relay calculates the symmetrical component magnitudes in use from the phase current inputs I_{L1} , I_{L2} and I_{L3} . The zero sequence current is also recorded into the registers as well as the angles of the positive, negative and zero sequence currents in order to better verify any fault cases. The blocking signal and the setting group selection control the operating characteristics of the function during normal operation, i.e. the user or user-defined logic can change function parameters while the function is running.

The current unbalance function uses a total of eight (8) separate setting groups which can be selected from one common source.

The function can operate on instant or time-delayed mode. In time-delayed mode the operation can be selected between definite time (DT) or inverse definite minimum time (IDMT). The IDMT operation supports both IEC and ANSI standard time delays as well as custom parameters.

The operational logic consists of the following:

- input magnitude selection
- input magnitude processing
- threshold comparator
- block signal check
- time delay characteristics
- output processing.

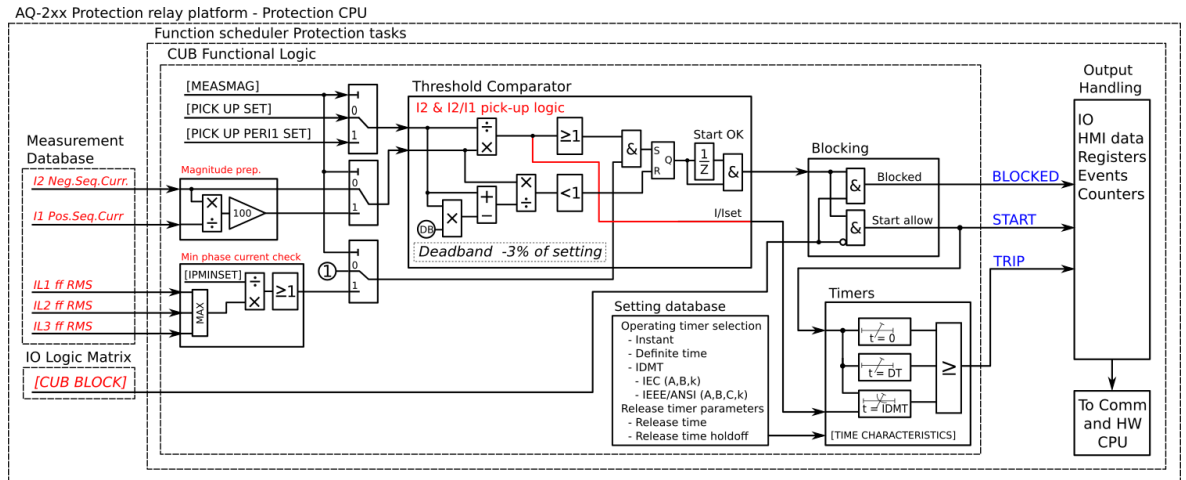
The inputs for the function are the following:

- operating mode selections
- setting parameters
- digital inputs and logic signals
- measured and pre-processed current magnitudes.

The function's outputs are START, TRIP and BLOCKED signals which can be used for direct I/O controlling and user logic programming. The function generates general time-stamped ON/OFF events to the common event buffer from each of the three (3) output signals. In instant operating mode the function outputs START and TRIP events simultaneously with an equivalent time stamp. The time stamp resolution is 1 ms. The function also provides a resettable cumulative counter for the START, TRIP and BLOCKED events.

The following figure presents a simplified function block diagram of the current unbalance function.

Figure. 4.4.6 - 49. Simplified function block diagram of the I2> function.



Measured input

The function block uses analog current measurement values and always uses calculated positive and negative sequence currents. In the broken conductor mode (I2/I1) the function also uses the RMS values of all phase currents to check the minimum current. Zero sequence and component sequence angles are used for fault registering and for fault analysis processing. A -20 ms averaged value of the selected magnitude is used for pre-fault data registering.

Table. 4.4.6 - 80. Measurement inputs of the I2> function.

Signal	Description	Time base
I1	Positive sequence current magnitude	5 ms
I2	Negative sequence current magnitude	5 ms
Iz	Zero sequence current magnitude	5 ms
I1 ANG	Positive sequence current angle	5 ms
I2 ANG	Negative sequence current angle	5 ms
Iz ANG	Zero sequence current angle	5 ms
IL1RMS	Phase L1 (A) measured RMS current	5 ms
IL2RMS	Phase L2 (B) measured RMS current	5 ms
IL3RMS	Phase L3 (C) measured RMS current	5 ms

General settings

The following general settings define the general behavior of the function. These settings are static i.e. it is not possible to change them by editing the setting group.

Table. 4.4.6 - 81. General settings of the function.

Name	Range	Default	Description
I2> LN mode	1: On 2: Blocked 3: Test 4: Test/ Blocked 5: Off	1: On	Set mode of CUB block. This parameter is visible only when <i>Allow setting of individual LN mode</i> is enabled in <i>General</i> menu.
I2> force status to	0: Normal 1: Start 2: Trip 3: Blocked	0: Normal	Force the status of the function. Visible only when <i>Enable stage forcing</i> parameter is enabled in <i>General</i> menu.
Measured magnitude	1: I2pu 2: I2/I1	1: I2pu	Defines whether the ratio between the positive and the negative sequence currents are supervised or whether only the negative sequence is used in detecting unbalance.

Pick-up

The setting parameters I_{2set} and $I_{2/I1set}$ control the the pick-up of the I2> function. They define the maximum allowed measured negative sequence current or the negative/positive sequence current ratio before action from the function. The function constantly calculates the ratio between the I_{set} and the measured magnitude (I_m). The reset ratio of 97 % is built into the function and is always relative to the I_{xset} value. The reset ratio is the same for both modes.

Table. 4.4.6 - 82. Pick-up settings.

Name	Description	Range	Step	Default
I2set	Pick-up setting for I2 mode.	0.01...40.00×I _n	0.01×I _n	0.2×I _n
I2/I1set	Pick-up setting for I2/I1 mode	1...200%	0.01%	20%

The pick-up activation of the function is not directly equal to the START signal generation of the function. The START signal is allowed if the blocking condition is not active.

Read-only parameters

The relay's *Info* page displays useful, real-time information on the state of the protection function. It is accessed either through the relay's HMI display, or through the setting tool software when it is connected to the relay and its Live Edit mode is active.

Table. 4.4.6 - 83. Information displayed by the function.

Name	Range	Step	Description
I2> LN behaviour	1: On 2: Blocked 3: Test 4: Test/ Blocked 5: Off	-	Displays the mode of CUB block. This parameter is visible only when <i>Allow setting of individual LN mode</i> is enabled in <i>General</i> menu.

Name	Range	Step	Description
I2> condition	0: Normal 1: Start 2: Trip 3: Blocked	-	Displays the status of the protection function.

Function blocking

The block signal is checked in the beginning of each program cycle. The blocking signal is received from the blocking matrix in the function's dedicated input. If the blocking signal is not activated when the pick-up element activates, a START signal is generated and the function proceeds to the time characteristics calculation.

If the blocking signal is active when the pick-up element activates, a BLOCKED signal is generated and the function does not process the situation further. If the START function has been activated before the blocking signal, it resets and processes the release time characteristics similarly to when the pick-up signal is reset.

The blocking of the function causes an HMI display event and a time-stamped blocking event with information of the startup current values and its fault type to be issued.

The variables the user can set are binary signals from the system. The blocking signal needs to reach the device minimum of 5 ms before the set operating delay has passed in order for the blocking to activate in time.

Operating time characteristics for trip and reset

The operating timers' behavior during a function can be set for TRIP signal and also for the release of the function in case the pick-up element is reset before the trip time has been reached. There are three basic operating modes available for the function:

- Instant operation: gives the TRIP signal with no additional time delay simultaneously with the start signal.
- Definite time operation (DT): gives the TRIP signal after a user-defined time delay regardless of the measured current as long as the current is above or below the I_{set} value and thus the pick-up element is active (independent time characteristics).
- Inverse definite minimum time (IDMT): gives the TRIP signal after a time which is in relation to the set pick-up value I_{set} and the measured current I_m (dependent time characteristics).

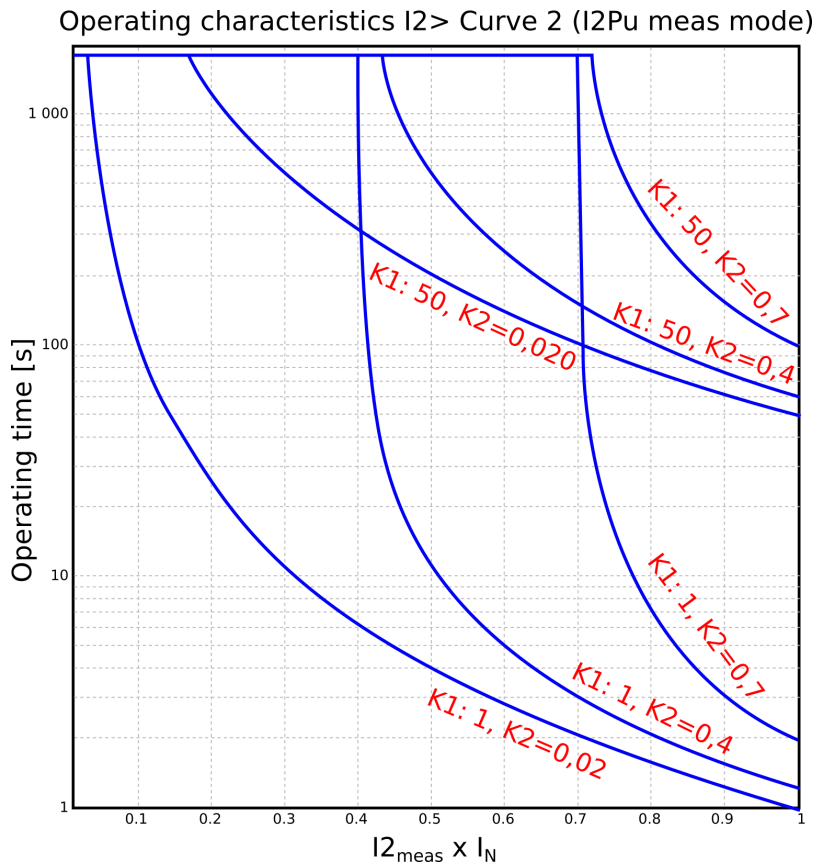
Both IEC and IEEE/ANSI standard characteristics as well as user settable parameters are available for the IDMT operation.

Unique to the current unbalance protection is the availability of the "Curve2" delay which follows the formula below:

$$t = \frac{k}{I_{2meas}^2 - I_{set}^2}$$

- t = Operating time
- I_{2meas} = Calculated negative sequence
- k = Constant k value (user settable delay multiplier)
- I_{set} = Pick-up setting of the function

Figure. 4.4.6 - 50. Operation characteristics curve for I2> Curve2.



For a more detailed description on the time characteristics and their setting parameters, please refer to the "[General properties of a protection function](#)" chapter and its "[Operating time characteristics for trip and reset](#)" section.

The user can reset characteristics through the application. The default setting is a 60 ms delay; the time calculation is held during the release time.

In the release delay option the operating time counter calculates the operating time during the release. When using this option the function does not trip if the input signal is not re-activated while the release time count is on-going.

Events and registers

The current unbalance function (abbreviated "CUB" in event block names) generates events and registers from the status changes in START, TRIP, and BLOCKED. The user can select the status ON or OFF for messages in the main event buffer. The function offers four (4) independent stages; the events are segregated for each stage operation.

The triggering event of the function (START, TRIP or BLOCKED) is recorded with a time stamp and with process data values.

Table. 4.4.6 - 84. Event messages.

Event block name	Event names
CUB1	Start ON
CUB1	Start OFF

Event block name	Event names
CUB1	Trip ON
CUB1	Trip OFF
CUB1	Block ON
CUB1	Block OFF
CUB2	Start ON
CUB2	Start OFF
CUB2	Trip ON
CUB2	Trip OFF
CUB2	Block ON
CUB2	Block OFF
CUB3	Start ON
CUB3	Start OFF
CUB3	Trip ON
CUB3	Trip OFF
CUB3	Block ON
CUB3	Block OFF
CUB4	Start ON
CUB4	Start OFF
CUB4	Trip ON
CUB4	Trip OFF
CUB4	Block ON
CUB4	Block OFF

The function registers its operation into the last twelve (12) time-stamped registers. The register of the function records the ON event process data for START, TRIP or BLOCKED. The table below presents the structure of the function's register content.

Table. 4.4.6 - 85. Register content.

Date and time	Event	Pre-trigger current	Fault current	Pre-fault current	Fault currents	Trip time remaining	Used SG
dd.mm.yyyy hh:mm:ss.mss	Event name	Start/Trip -20ms current	Start/Trip current	Start -200ms current	I1, I2, IZ mag. and ang.	0 ms...1800s	Setting group 1...8 active

4.4.7 Harmonic overcurrent protection ($I_h >$; 50H/51H/68H)

The harmonic overcurrent function is used for non-directional instant and time-delayed overcurrent detection and clearing. The number of stages in the function depends on the relay model. The function constantly measures the selected harmonic component of the selected measurement channels, the value being either absolute value or relative to the RMS value. The blocking signal and the setting group selection control the operating characteristics of the function during normal operation, i.e. the user or user-defined logic can change function parameters while the function is running.

The non-directional harmonic overcurrent function uses a total of eight (8) separate setting groups which can be selected from one common source.

The function can operate on instant or time-delayed mode. Either START or TRIP signal can be used when the instant mode is selected to block other protection stages. In time-delayed mode the operation can be selected between definite time (DT) mode and inverse definite minimum time (IDMT) mode. The START signal can be used to block other stages; if the situation lasts longer, the TRIP signal can be used on other actions as time-delayed. The IDMT operation supports both IEC and ANSI standard time delays as well as custom parameters.

The operational logic consists of the following:

- input magnitude selection
- input magnitude processing
- saturation check
- threshold comparator
- block signal check
- time delay characteristics
- output processing.

The basic design of the protection function is the three-pole operation.

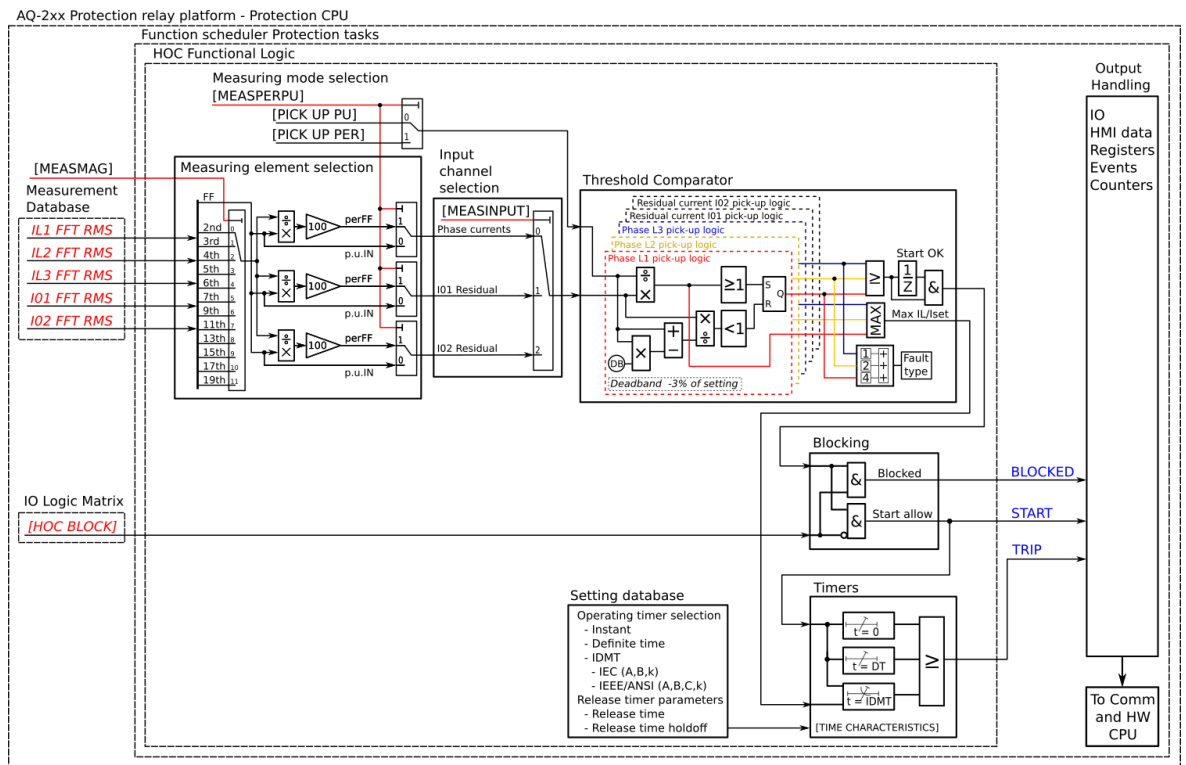
The inputs of the function are the following:

- operating mode selections
- setting parameters
- digital inputs and logic signals
- measured and pre-processed current magnitudes.

The function's outputs are START, TRIP and BLOCKED signals which can be used for direct I/O controlling and user logic programming. The function generates general time-stamped ON/OFF events to the common event buffer from each of the three (3) output signals. In the instant operating mode the function outputs START and TRIP events simultaneously with an equivalent time stamp. The time stamp resolution is 1 ms. The function also provides a resettable cumulative counter for the START, TRIP and BLOCKED events.

The following figure presents a simplified function block diagram of the non-directional harmonic overcurrent function.

Figure. 4.4.7 - 51. Simplified function block diagram of the lh> function.



Measured input

The function block uses analog current measurement values from phase or residual currents. Each measurement input of the function block uses RMS values and harmonic components of the selected current input. The user can select the monitored magnitude to be equal to the per-unit RMS values of the harmonic component, or to the harmonic component percentage content compared to the RMS values. A -20 ms averaged value of the selected magnitude is used for pre-fault data registering.

Table. 4.4.7 - 86. Measurement inputs of the lh> function.

Signal	Description	Time base
IL1FFT	The magnitudes (RMS) of phase L1 (A) current components: - Fundamental - 2 nd harmonic - 3 rd harmonic - 4 th harmonic - 5 th harmonic - 6 th harmonic - 7 th harmonic - 9 th harmonic - 11 th harmonic - 13 th harmonic - 15 th harmonic - 17 th harmonic - 19 th harmonic.	5 ms

Signal	Description	Time base
IL2FFT	<p>The magnitudes (RMS) of phase L2 (B) current components:</p> <ul style="list-style-type: none"> - Fundamental - 2nd harmonic - 3rd harmonic - 4th harmonic - 5th harmonic - 6th harmonic - 7th harmonic - 9th harmonic - 11th harmonic - 13th harmonic - 15th harmonic - 17th harmonic - 19th harmonic. 	5 ms
IL3FFT	<p>The magnitudes (RMS) of phase L3 (C) current components:</p> <ul style="list-style-type: none"> - Fundamental - 2nd harmonic - 3rd harmonic - 4th harmonic - 5th harmonic - 6th harmonic - 7th harmonic - 9th harmonic - 11th harmonic - 13th harmonic - 15th harmonic - 17th harmonic - 19th harmonic. 	5 ms
I01FFT	<p>The magnitudes (RMS) of residual I0₁ current components:</p> <ul style="list-style-type: none"> - Fundamental - 2nd harmonic - 3rd harmonic - 4th harmonic - 5th harmonic - 6th harmonic - 7th harmonic - 9th harmonic - 11th harmonic - 13th harmonic - 15th harmonic - 17th harmonic - 19th harmonic. 	5 ms

Signal	Description	Time base
I02FFT	The magnitudes (RMS) of residual I02 current components: - Fundamental - 2 nd harmonic - 3 rd harmonic - 4 th harmonic - 5 th harmonic - 6 th harmonic - 7 th harmonic - 9 th harmonic - 11 th harmonic - 13 th harmonic - 15 th harmonic - 17 th harmonic - 19 th harmonic.	5 ms

The selection of the used AI channel, the monitored harmonic, and the monitoring type (per unit or percentage of fundamental frequency) are made with setting parameters. In all possible input channel variations the pre-fault condition is presented with a 20 ms averaged history value from -20 ms from START or TRIP event.

General settings

The function can be set to monitor the ratio between the measured harmonic and either the measured fundamental component or the per unit value of the harmonic current. The user must select the correct measurement input.

Table. 4.4.7 - 87. Operating mode selection settings.

Name	Range	Default	Description
Ih> LN mode	1: On 2: Blocked 3: Test 4: Test/ Blocked 5: Off	1: On	Set mode of HOC block. This parameter is visible only when <i>Allow setting of individual LN mode</i> is enabled in <i>General</i> menu.
Ih> force status to	0: Normal 1: Start 2: Trip 3: Blocked	0: Normal	Force the status of the function. Visible only when <i>Enable stage forcing</i> parameter is enabled in <i>General</i> menu.

Name	Range	Default	Description
Harmonic selection	2 nd harmonic 3 rd harmonic 4 th harmonic 5 th harmonic 6 th harmonic 7 th harmonic 9 th harmonic 11 th harmonic 13 th harmonic 15 th harmonic 17 th harmonic 19 th harmonic	2 nd harmonic	Selection of the monitored harmonic component.
Per unit or relative	$\times I_n$ Ih/IL	$\times I_n$	Selection of the monitored harmonic mode. Either directly per unit $\times I_n$ or in relation to the fundamental frequency magnitude.
Measurement input	IL1/IL2/ IL3 I01 I02	IL1/IL2/ IL3	Selection of the measurement input (either phase current or residual current).

Each function stage provides these same settings. Multiple stages of the function can be set to operate independently of each other.

Pick-up

The setting parameter I_{hset} per unit or Ih/IL (depending on the selected operating mode) controls the pick-up of the Ih> function. This defines the maximum allowed measured current before action from the function. The function constantly calculates the ratio between the I_{hset} per unit or Ih/IL and the measured magnitude (I_m) for each of the three phases. The reset ratio of 97 % is built into the function and is always relative to the I_{hset} per unit or Ih/IL value. The setting value is common for all measured phases, and when the I_m exceeds the I_{set} value (in single, dual or all phases) it triggers the pick-up operation of the function.

Table. 4.4.7 - 88. Pick-up settings.

Name	Range	Step	Default	Description
Ihset pu	0.05...2.00 $\times I_n$	0.01 $\times I_n$	0.20 $\times I_n$	Pick-up setting (per unit monitoring)
Ih/IL	5.00...200.00%	0.01%	20.00%	Pick-up setting (percentage monitoring)

The pick-up activation of the function is not directly equal to the START signal generation of the function. The START signal is allowed if the blocking condition is not active.

Read-only parameters

The relay's *Info* page displays useful, real-time information on the state of the protection function. It is accessed either through the relay's HMI display, or through the setting tool software when it is connected to the relay and its Live Edit mode is active.

Table. 4.4.7 - 89. Information displayed by the function.

Name	Range	Step	Description
lh> behaviour	1: On 2: Blocked 3: Test 4: Test/Blocked 5: Off	-	Displays the mode of HOC block. This parameter is visible only when <i>Allow setting of individual LN mode</i> is enabled in <i>General</i> menu.
lh> condition	0: Normal 1: Start 2: Trip 3: Blocked	-	Displays the status of the protection function.
lh meas/ lh set now	0.00...100000.00I _m /I _{set}	0.01I _m /I _{set}	The ratio between the monitored residual current and the pick-up value.
Expected operating time	0.000...1800.000s	0.005s	Displays the expected operating time when a fault occurs. When IDMT mode is used, the expected operating time depends on the measured voltage value. If the measured voltage changes during a fault, the expected operating time changes accordingly.
Time remaining to trip	-1800.000...1800.000s	0.005s	When the function has detected a fault and counts down time towards a trip, this displays how much time is left before tripping occurs.

Function blocking

The block signal is checked in the beginning of each program cycle. The blocking signal is received from the blocking matrix in the function's dedicated input. If the blocking signal is not activated when the pick-up element activates, a START signal is generated and the function proceeds to the time characteristics calculation.

If the blocking signal is active when the pick-up element activates, a BLOCKED signal is generated and the function does not process the situation further. If the START function has been activated before the blocking signal, it resets and the release time characteristics are processed similarly to when the pick-up signal is reset.

The blocking of the function causes an HMI display event and a time-stamped blocking event with information of the startup current values and its fault type to be issued.

The variables the user can set are binary signals from the system. The blocking signal needs to reach the device minimum of 5 ms before the set operating delay has passed in order for the blocking to activate in time.

Operating time characteristics for trip and reset

This function supports definite time delay (DT) and inverse definite minimum time delay (IDMT). For detailed information on these delay types please refer to the chapter "[General properties of a protection function](#)" and its section "[Operating time characteristics for trip and reset](#)".

Events and registers

The harmonic overcurrent function (abbreviated "HOC" in event block names) generates events and registers from the status changes in START, TRIP and BLOCKED. The user can select which event messages are stored in the main event buffer: ON, OFF, or both. The function offers four (4) independent stages; the events are segregated for each stage operation.

The events triggered by the function are recorded with a time stamp and with process data values.

Table. 4.4.7 - 90. Event description.

Event block name	Event names
HOC1	Start ON
HOC1	Start OFF
HOC1	Trip ON
HOC1	Trip OFF
HOC1	Block ON
HOC1	Block OFF
HOC2	Start ON
HOC2	Start OFF
HOC2	Trip ON
HOC2	Trip OFF
HOC2	Block ON
HOC2	Block OFF
HOC3	Start ON
HOC3	Start OFF
HOC3	Trip ON
HOC3	Trip OFF
HOC3	Block ON
HOC3	Block OFF
HOC4	Start ON
HOC4	Start OFF
HOC4	Trip ON

Event block name	Event names
HOC4	Trip OFF
HOC4	Block ON
HOC4	Block OFF

The function registers its operation into the last twelve (12) time-stamped registers. The register of the function records the ON event process data for START, TRIP or BLOCKED. The table below presents the structure of the function's register content.

Table. 4.4.7 - 91. Register content.

Date and time	Event	Fault type	Pre-trigger current	Fault current	Pre-fault current	Trip time remaining	Used SG
dd.mm.yyyy hh:mm:ss.mss	Event name	L1-G...L1-L2-L3	Start/Trip -20ms current	Start/ Trip current	Start -200ms current	0 ms...1800s	Setting group 1...8 active

4.4.8 Circuit breaker failure protection (CBFP; 50BF/52BF)

The circuit breaker failure protection function is used for monitoring the circuit breaker operation after it has received a TRIP signal. The function can also be used to retrip a failing breaker; if the retrip fails, an incomer breaker can be tripped by using the function's CBFP output. The retrip functionality can be disabled if the breaker does not have two trip coils.

The function can be triggered by the following:

- overcurrent (phase and residual)
- digital output monitor
- digital signal
- any combination of the above-mentioned triggers.

In the current-dependent mode the function constantly measures phase current magnitudes and the selected residual current. In the signal-dependent mode any of the device's binary signals (trips, starts, logical signals etc.) can be used to trigger the function. In the digital output-dependent mode the function monitors the status of the selected output relay control signal. The blocking signal and the setting group selection control the operating characteristics of the function during normal operation, i.e. the user or user-defined logic can change function parameters while the function is running.

The circuit breaker failure protection function uses a total of eight (8) separate setting groups which can be selected from one common source. Additionally, the function's operating mode can be changed via setting group selection.

The operational logic consists of the following:

- input magnitude processing
- input magnitude selection
- threshold comparator
- block signal check
- time delay characteristics
- output processing.

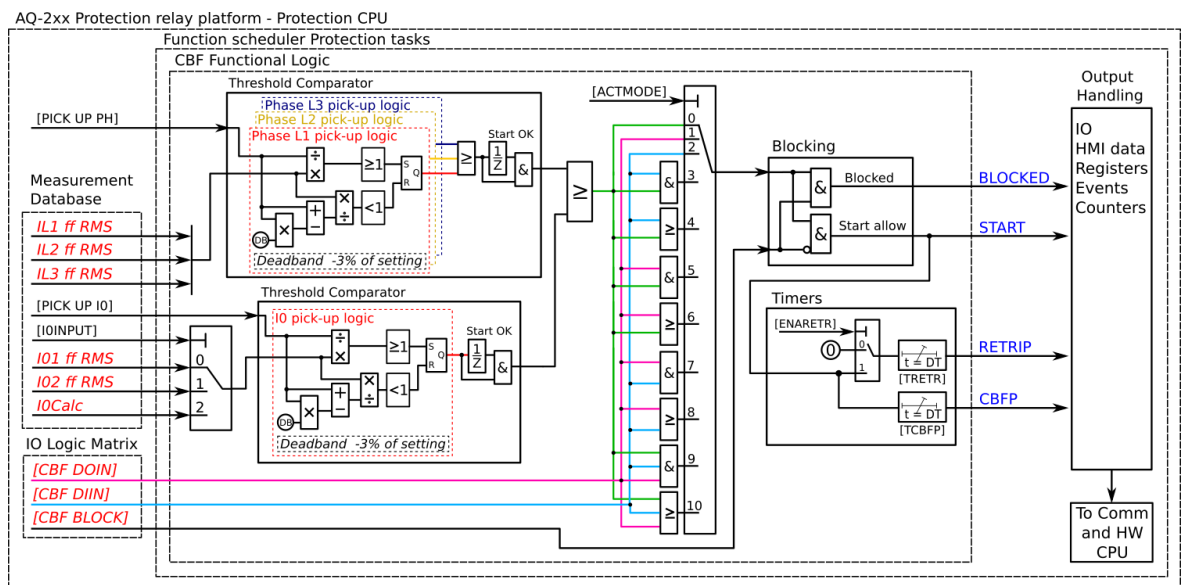
The inputs of the function are the following:

- operating mode selections
- setting parameters
- digital input signals
- measured and pre-processed current magnitudes.

The function's outputs are CBFP START, RETRIP, CBFP ACT and BLOCKED signals which can be used for direct I/O controlling and user logic programming. The function generates general time-stamped ON/OFF events to the common event buffer from each of the two (2) output signals. The time stamp resolution is 1 ms. The function also provides a resettable cumulative counters for RETRIP, CBFP, CBFP START and BLOCKED events.

The following figure presents a simplified function block diagram of the circuit breaker failure protection function.

Figure. 4.4.8 - 52. Simplified function block diagram of the CBFP function.



Measured input

The function block uses analog current measurement values. It always uses the RMS magnitude of the current measurement input. The user can select IO1, IO2 or the calculated IO for the residual current measurement. A -20 ms averaged value of the selected magnitude is used for pre-fault data registering.

Table. 4.4.8 - 92. Measurement inputs of the CBFP function.

Signal	Description	Time base
IL1RMS	RMS measurement of phase L1 (A) current	5ms
IL2RMS	RMS measurement of phase L2 (B) current	5ms
IL3RMS	RMS measurement of phase L3 (C) current	5ms
IO1RMS	RMS measurement of residual input IO1	5ms
IO2RMS	RMS measurement of residual input IO2	5ms
IOCalc	Calculated residual current from the phase current inputs	5ms

Signal	Description	Time base
DOIN	Monitors digital output relay status	5ms
DIIN	Monitors digital input status	5ms

The selection of the used AI channel is made with a setting parameter. In all possible input channel variations the pre-fault condition is presented with a 20 ms averaged history value from -20 ms from START or TRIP event.

General settings

The following general settings define the general behavior of the function. These settings are static i.e. it is not possible to change them by editing the setting group.

Table. 4.4.8 - 93. CBFP monitoring signal definitions.

Name	Description
Signal in monitor	Defines which TRIP events of the used protection functions trigger the CBFP countdown. For the CBFP function to monitor the signals selected here, the "Operation mode selection" parameter must be set to a mode that includes signals (e.g. "Signals only", "Signals or DO", "Current and signals and DO").
Trip monitor	Defines which output relay of the used protection functions trigger the CBFP countdown. For the CBFP function to monitor the output relays selected here, the "Operation mode selection" parameter must be set to a mode that includes digital outputs (e.g. "DO only", "Current and DO", "Current or signals or DO").

Table. 4.4.8 - 94. General settings of the function.

Name	Range	Default	Description
CBFP LN mode	1: On 2: Blocked 3: Test 4: Test/ Blocked 5: Off	1: On	Set mode of CBF block. This parameter is visible only when <i>Allow setting of individual LN mode</i> is enabled in <i>General</i> menu.
CBFP force status to	0: Normal 1: Start 2: ReTrip 3: CBFP 4: Blocked	0: Normal	Force the status of the function. Visible only when <i>Enable stage forcing</i> parameter is enabled in <i>General</i> menu.

Pick-up

The setting parameters I_{set} and IO_{set} control the pick-up and the activation of the current-dependent CBFP function. They define the minimum allowed measured current before action from the function. The function constantly calculates the ratio between the I_{set} or the IO_{set} and the measured magnitude (I_m) for each of the three phases and the selected residual current input. The reset ratio of 97 % is built into the function and is always relative to the I_{set} value. The setting value is common for all measured phases. When the I_m exceeds the I_{set} value (in single, dual or all phases) it triggers the pick-up operation of the function.

Table. 4.4.8 - 95. Operating mode and input signals selection.

Name	Range	Step	Default	Description
I0Input	0: Not in use 1: I01 2: I02 3: I0Calc	-	0: Not in use	Selects the residual current monitoring source, which can be either from the two separate residual measurements (I01 and I02) or from the phase current's calculated residual current.
Actmode	0: Current only 1: DO only 2: Signals only 3: Current and DO 4: Current or DO 5: Current and signals 6: Current or signals 7: Signals and DO 8: Signals or DO 9: Current or DO or signals 10: Current and DO and Signals	-	0: Current only	Selects the operating mode. The mode can be dependent on current measurement, binary signal status, output relay status ("DO"), or a combination of the three.

Table. 4.4.8 - 96. Pick-up settings.

Name	Range	Step	Default	Description
I _{set}	0.01...40.00×I _n	0.01×I _n	0.20×I _n	The pick-up threshold for the phase current measurement. This setting limit defines the upper limit for the phase current pick-up element.
I0 _{set}	0.005...40.000×I _n	0.001×I _n	1.200×I _n	The pick-up threshold for the residual current measurement. This setting limit defines the upper limit for the phase current pick-up element.

The pick-up activation of the function is not directly equal to the START signal generation of the function. The START signal is allowed if the blocking condition is not active. There is no delay between the activation of the monitored signal and the activation of the pick-up when using binary signals.

Read-only parameters

The relay's *Info* page displays useful, real-time information on the state of the protection function. It is accessed either through the relay's HMI display, or through the setting tool software when it is connected to the relay and its Live Edit mode is active.

Table. 4.4.8 - 97. Information displayed by the function.

Name	Range	Description
CBFP LN behaviour	1: On 2: Blocked 3: Test 4: Test/Blocked 5: Off	Displays the mode of CBF block. This parameter is visible only when <i>Allow setting of individual LN mode</i> is enabled in <i>General</i> menu.
CBFP condition	0: Normal 1: Start 2: ReTrip 3: CBFP On 4: Blocked	Displays status of the protection function.

Function blocking

The block signal is checked in the beginning of each program cycle. The blocking signal is received from the blocking matrix in the function's dedicated input. If the blocking signal is not activated when the pick-up element activates, a START signal is generated and the function proceeds to the time characteristics calculation.

If the blocking signal is active when the pick-up element activates, a BLOCKED signal is generated and the function does not process the situation further. If the START function has been activated before the blocking signal, it resets and processes the release time characteristics similarly to when the pick-up signal is reset.

The blocking of the function causes an HMI display event and a time-stamped blocking event with information of the startup current values and its fault type to be issued.

The variables the user can set are binary signals from the system. The blocking signal needs to reach the device minimum of 5 ms before the set operating delay has passed in order for the blocking to activate in time.

Operating time characteristics

The operating timers' behavior during a function can be set depending on the application. The same pick-up signal starts both timers. When retrip is used the time grading should be set as follows: the sum of specific times (i.e. the retrip time, the expected operating time, and the pick-up conditions' release time) is shorter the set CBFP time. This way, when retripping another breaker coil clears the fault, any unnecessary function triggers are avoided.

The following table presents the setting parameters for the function's operating time characteristics.

Table. 4.4.8 - 98. Setting parameters for operating time characteristics.

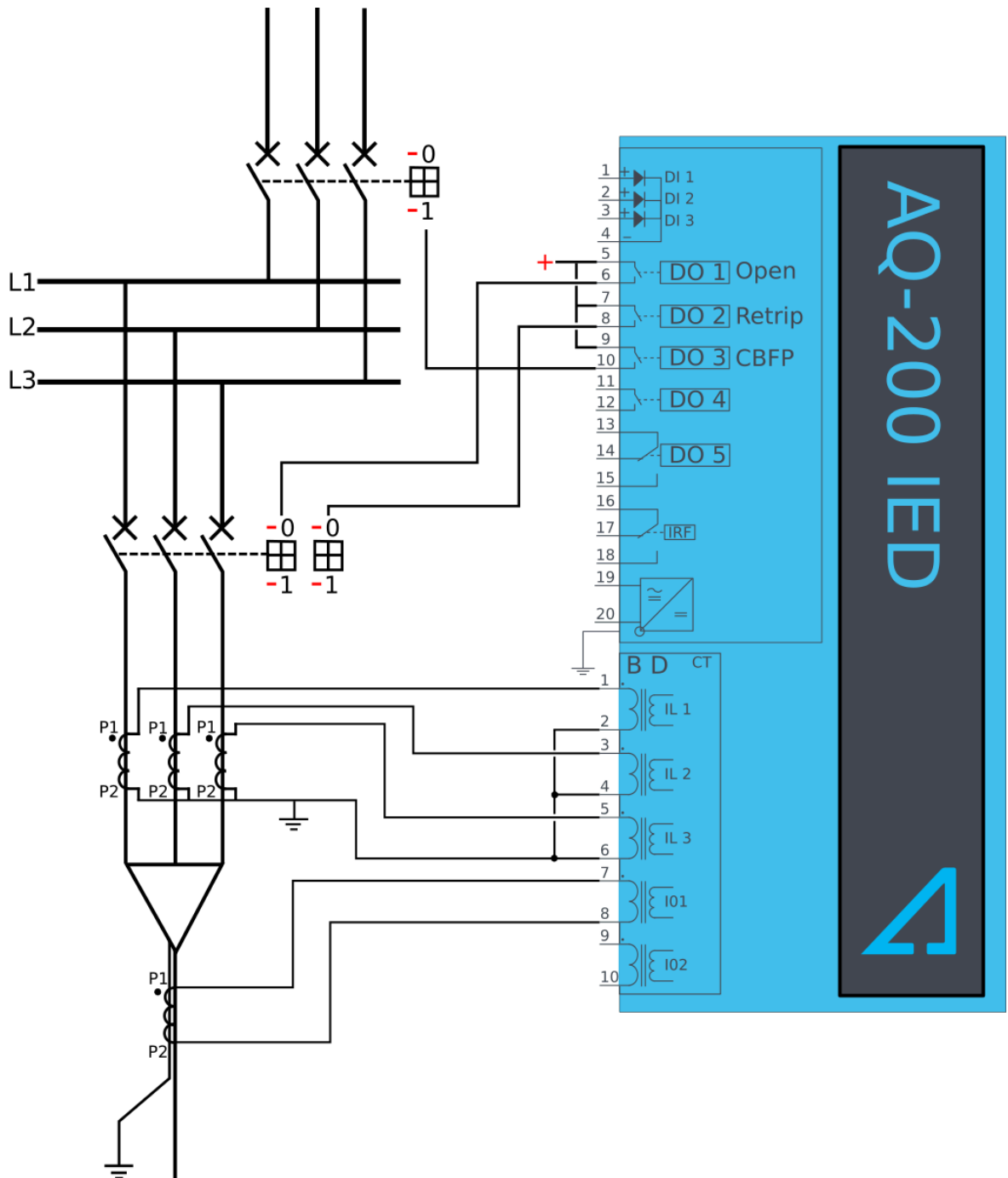
Name	Range	Step	Default	Description
Retrip	0: No 1: Yes	-	1: Yes	Retrip enabled or disabled. When the retrip is disabled, the output will not be visible and the TRetr setting parameter will not be available.
Retrip time delay	0.000...1800.000s	0.005s	0.100s	Retrip start the timer. This setting defines how long the starting condition has to last before a RETRIP signal is activated.

Name	Range	Step	Default	Description
CBFP	0.000...1800.000s	0.005s	0.200s	CBFP starts the timer. This setting defines how long the starting condition has to last before the CBFP signal is activated.

The following figures present some typical cases of the CBFP function.

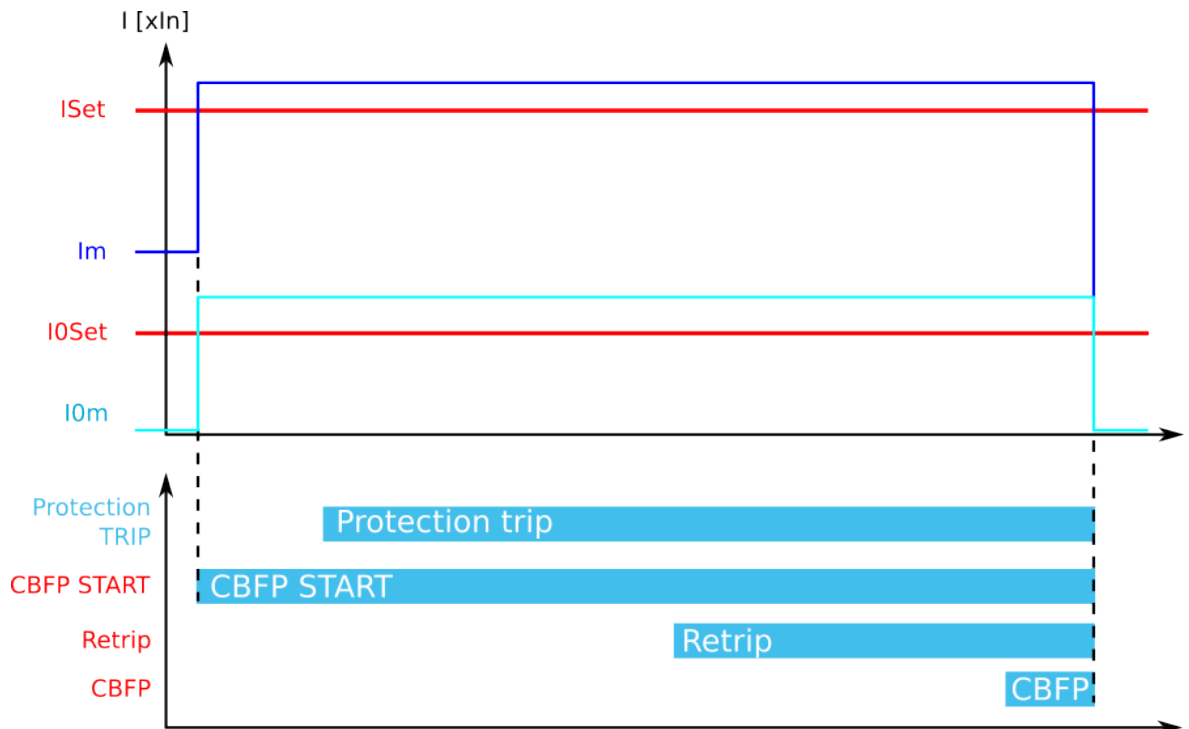
Trip, Retrip and CBFP in the device configuration

Figure. 4.4.8 - 53. Wiring diagram when Trip, Retrip and CBFP are configured to the device.



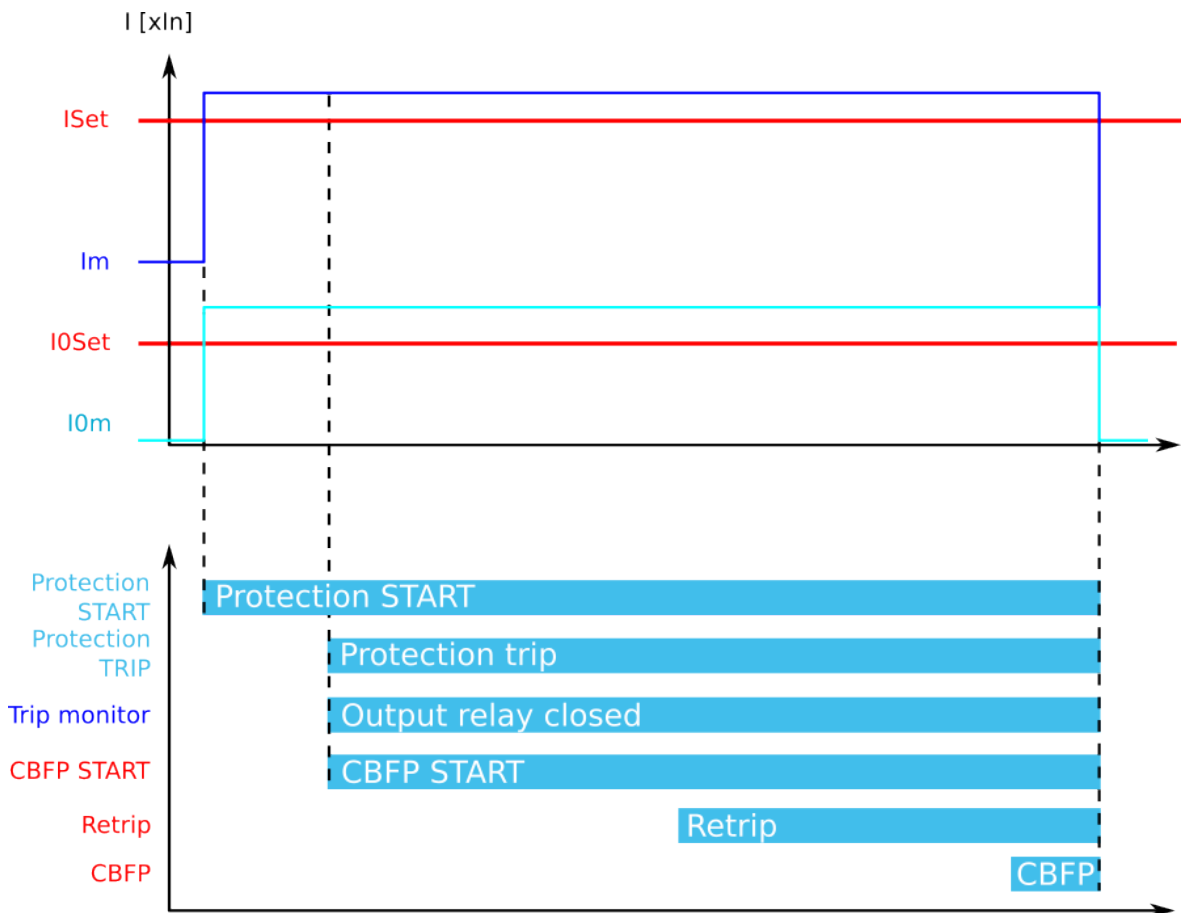
The retrip functionality can be used in applications whose circuit breaker has a retrip or a redundant trip coil available. The TRIP signal is normally wired to the breaker's trip coil from the device's trip output. The retrip is wired from its own device output contact in parallel with the circuit breaker's redundant trip coil. The CBFP signal is normally wired from its device output contact to the incomer breaker. Below are a few operational cases regarding the various applications.

Figure. 4.4.8 - 54. Retrip and CBFP when "Current" is the selected criterion.



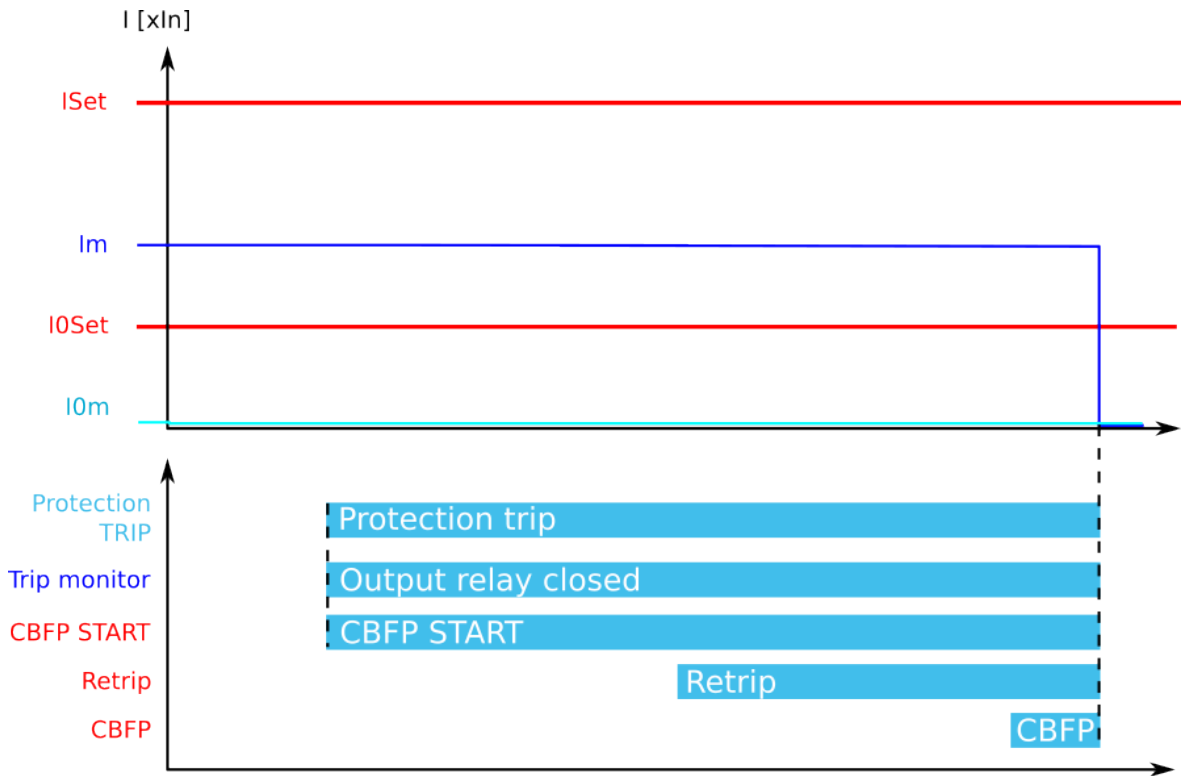
When the current threshold setting of I_{set} and/or I_{oSet} is exceeded, the current-based protection is activated and the counters for RETRIP and CBFP start calculating the set operating time. The tripping of the primary protection stage is not monitored in this configuration. Therefore, if the current is not reduced below the setting limit, a RETRIP signal is sent to the redundant trip coil. If the current is not reduced within the set time limit, the function also sends a CBFP signal to the incomer breaker. If the primary protection function clears the fault, both counters (RETRIP and CBFP) are reset as soon as the measured current is below the threshold settings.

Figure. 4.4.8 - 55. Retrip and CBFP when "Current and DO" is the selected criterion.



When the current threshold setting of I_{set} and/or I_{Oset} is exceeded, the current-based protection is activated. At the same time, the counters for RETRIP and CBFP are halted until the monitored output contact is controlled (that is, until the primary protection operates). When the tripping signal reaches the primary protection stage, the RETRIP and CBFP counters start calculating the set operating time. The tripping of the primary protection stage is constantly monitored in this configuration. If the current is not reduced below the setting limit or the primary stage tripping signal is not reset, a RETRIP signal is sent to the redundant trip coil. If the retripping fails and the current is not reduced below the setting limit or the primary stage tripping signal is not reset, the function also sends a CBFP signal to the incomer breaker. If the primary protection function clears the fault, both counters (RETRIP and CBFP) are reset as soon as the measured current is below the threshold settings or the tripping signal is reset. This configuration allows the CBFP to be controlled with current-based functions alone, and other function trips can be excluded from the CBFP functionality.

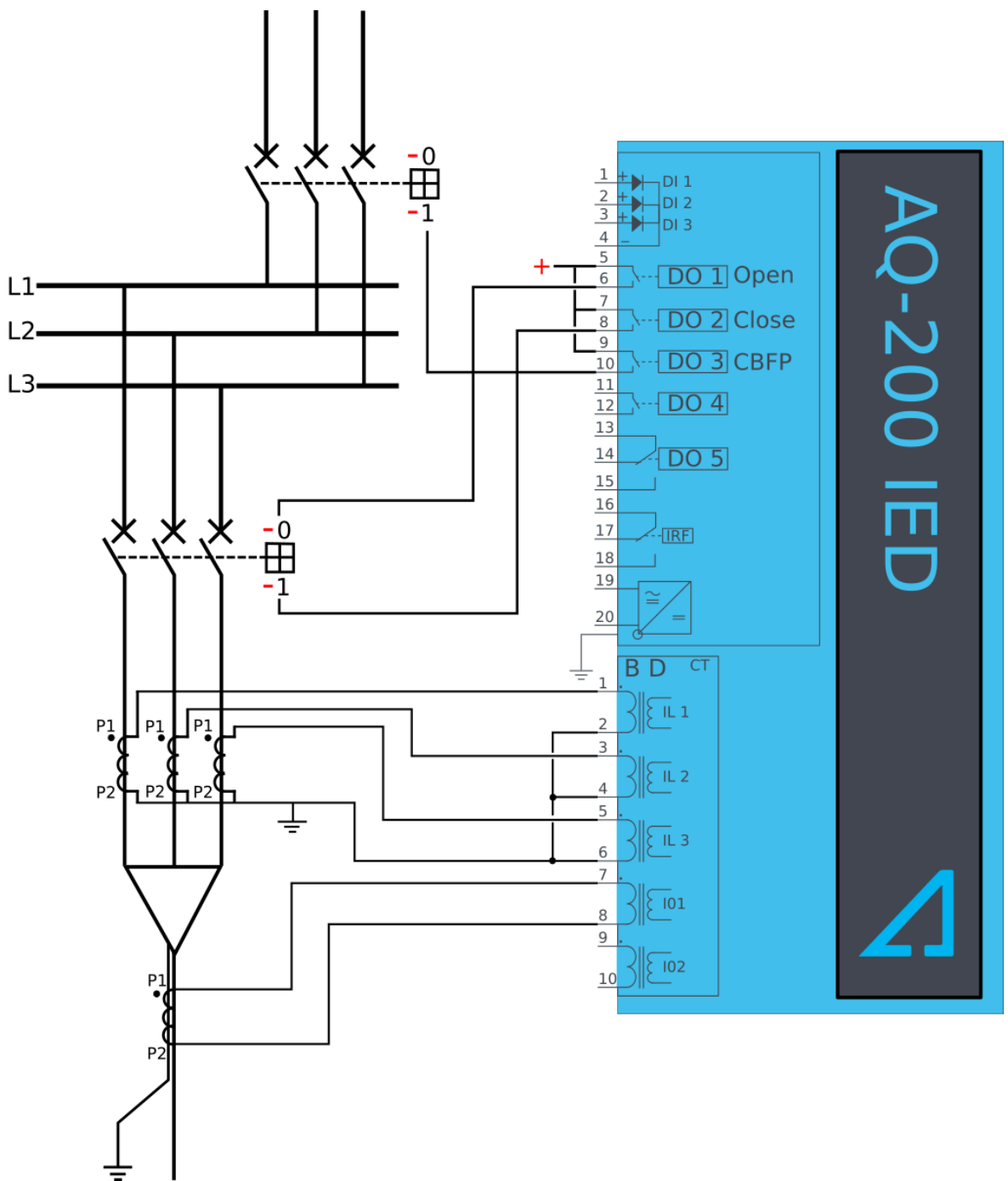
Figure. 4.4.8 - 56. Retrip and CBFP when "Current or DO" is the selected criterion.



When the current threshold setting of I_{set} and/or I_{Oset} is exceeded, or the TRIP signal reaches the primary protection stage, the function starts counting down towards the RETRIP and CBFP signals. The tripping of the primary protection stage is constantly monitored in this configuration regardless of the current's status. The pick-up of the CBFP is active unless the current is reduced below the setting limit and the primary stage tripping signal is reset. If either of these conditions is met (i.e. the current is above the limit or the signal is active) for the duration of the set RETRIP time delay, a RETRIP signal is sent to the redundant trip coil. If either of the conditions is active for the duration of the set CBFP time delay, a CBFP signal is sent to the incomer breaker. If the primary protection function clears the fault, both counters (RETRIP and CBFP) are reset as soon as the measured current is below the threshold settings and the tripping signal is reset. This configuration allows the CBFP to be controlled with current-based functions alone, with added security from current monitoring. Other function trips can also be included in the CBFP functionality.

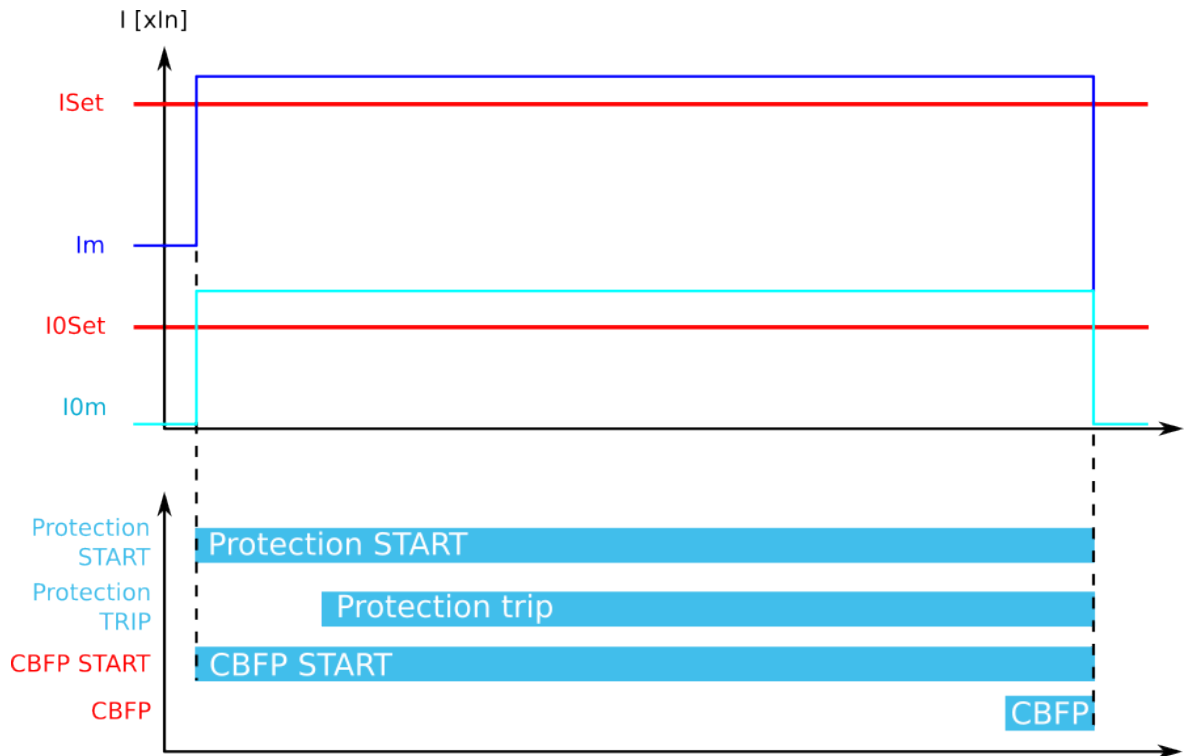
Trip and CBFP in the device configuration

Figure. 4.4.8 - 57. Wiring diagram when Trip and CBFP are configured to the device.



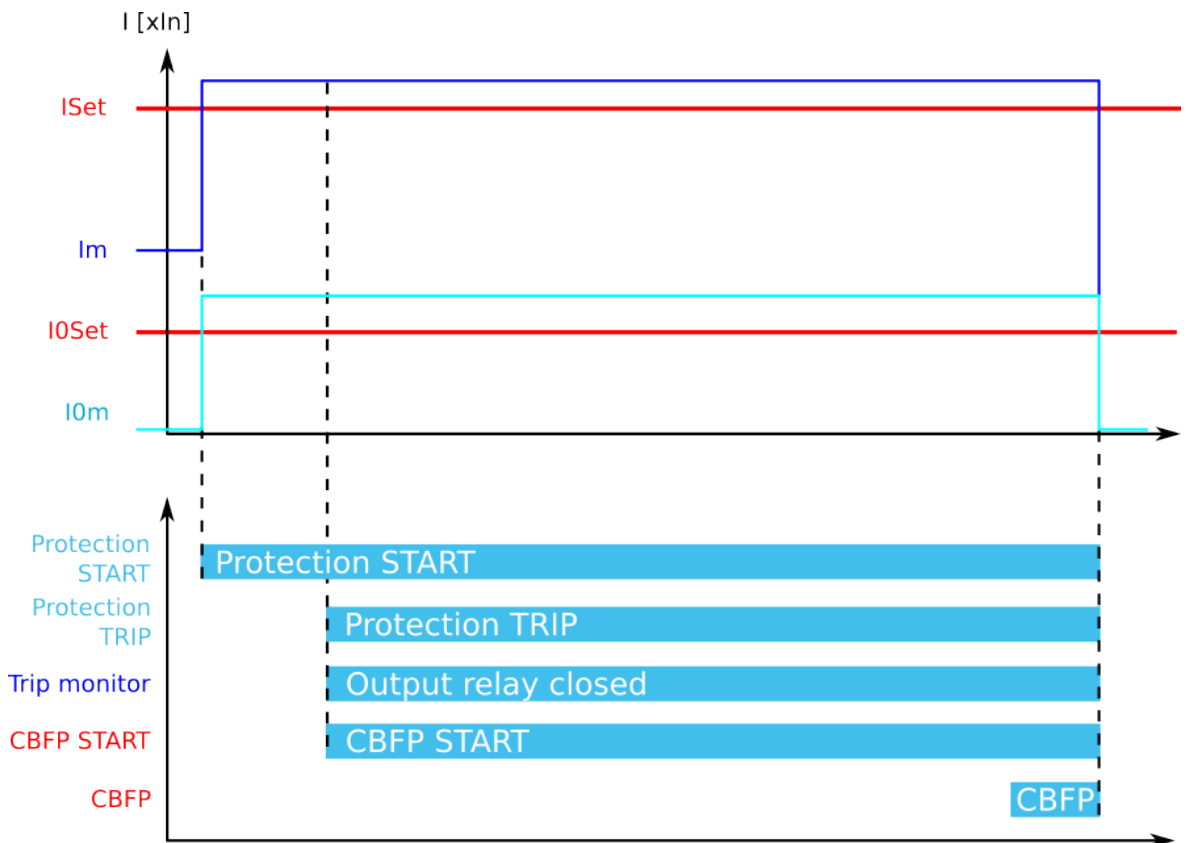
Probably the most common application is when the device's trip output controls the circuit breaker trip coil, while one dedicated CBFP contact controls the CBFP function. Below are a few operational cases regarding the various applications and settings of the CBFP function.

Figure. 4.4.8 - 58. CBFP when "Current" is the selected criterion.



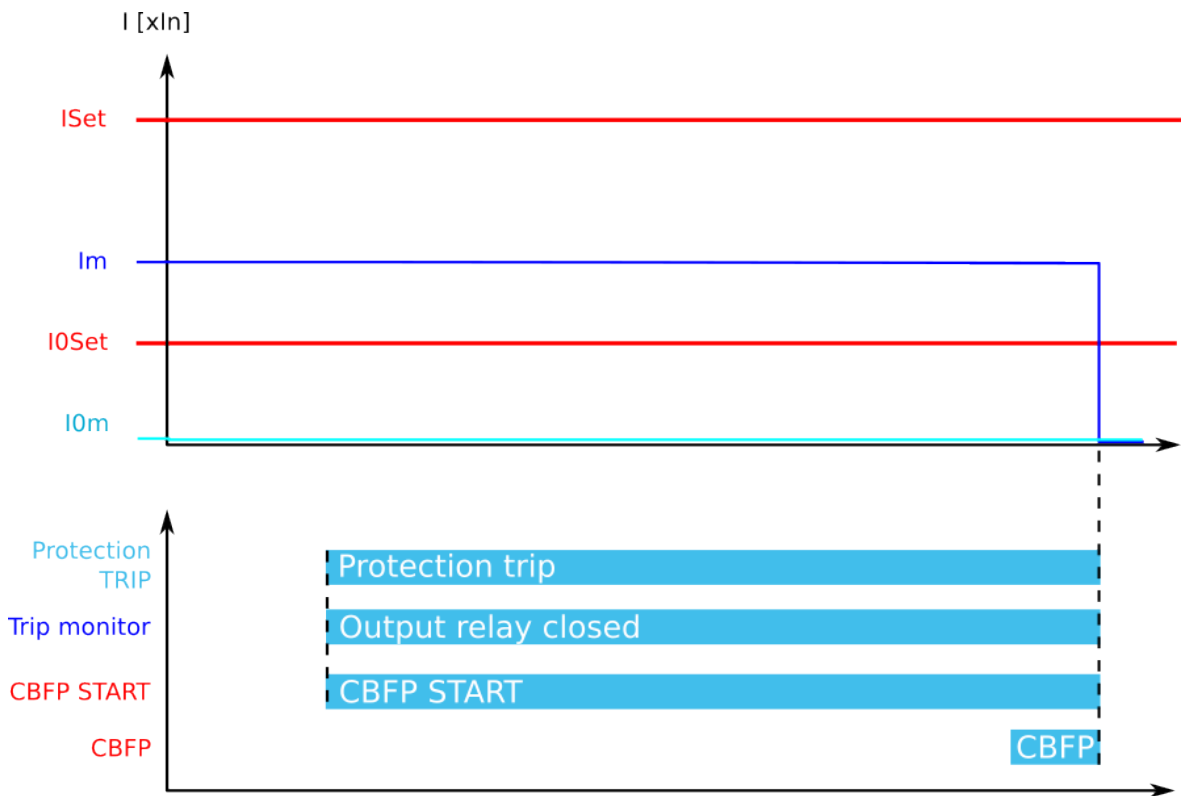
When the current threshold setting of I_{set} and/or I_{Oset} is exceeded, the current-based protection is activated and the counter for CBFP starts calculating the set operating time. The tripping of the primary protection stage is not monitored in this configuration. Therefore, if the current is not reduced below the setting limit, a CBFP signal is sent to the incomer breaker. If the primary protection function clears the fault, the counter for CBFP resets as soon as the measured current is below the threshold settings.

Figure. 4.4.8 - 59. CBFP when "Current and DO" is the selected criterion.



When the current threshold setting of I_{Set} and/or I_{Oset} is exceeded, the current-based protection is activated. At the same time, the counter for CBFP is halted until the monitored output contact is controlled (that is, until the primary protection operates). When the tripping signal reaches the primary protection stage, the CBFP counter starts calculating the set operating time. The tripping of the primary protection stage is constantly monitored in this configuration. If the current is not reduced below the setting limit or the primary stage tripping signal is not reset, a CBFP signal is sent to the incomer breaker. The time delay counter for CBFP is reset as soon as the measured current is below the threshold settings or the tripping signal is reset. This configuration allows the CBFP to be controlled by current-based functions alone, and other function trips can be excluded from the CBFP functionality.

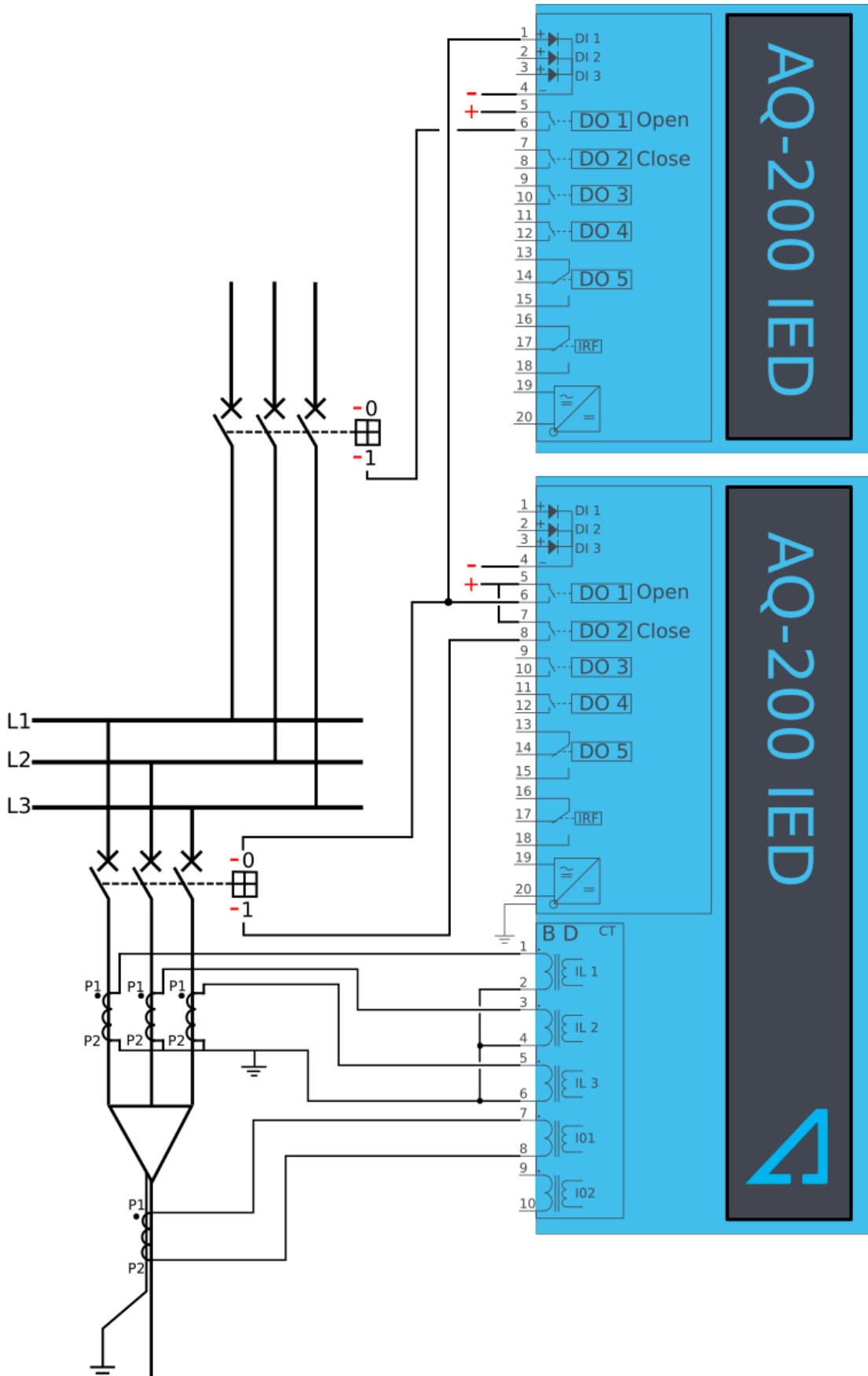
Figure. 4.4.8 - 60. CBFP when "Current or DO" is the selected criterion.



When the current threshold setting of I_{set} and/or I_{Oset} is exceeded, or the TRIP signal reaches the primary protection stage, the function starts counting down towards the CBFP signal. The tripping of the primary protection stage is constantly monitored in this configuration regardless of the current's status. The pick-up of the CBFP is active unless the current is reduced below the setting limit and the primary stage tripping signal is reset. If either of these conditions is met (i.e. the current is above the limit or the signal is active) for the duration of the set CBFP time delay, a CBFP signal is sent to the incomer breaker. The time delay counter for CBFP is reset as soon as the measured current is below the threshold settings and the tripping signal is reset. This configuration allows the CBFP to be controlled by current-based functions alone, with added security from current monitoring. Other function trips can also be included to the CBFP functionality.

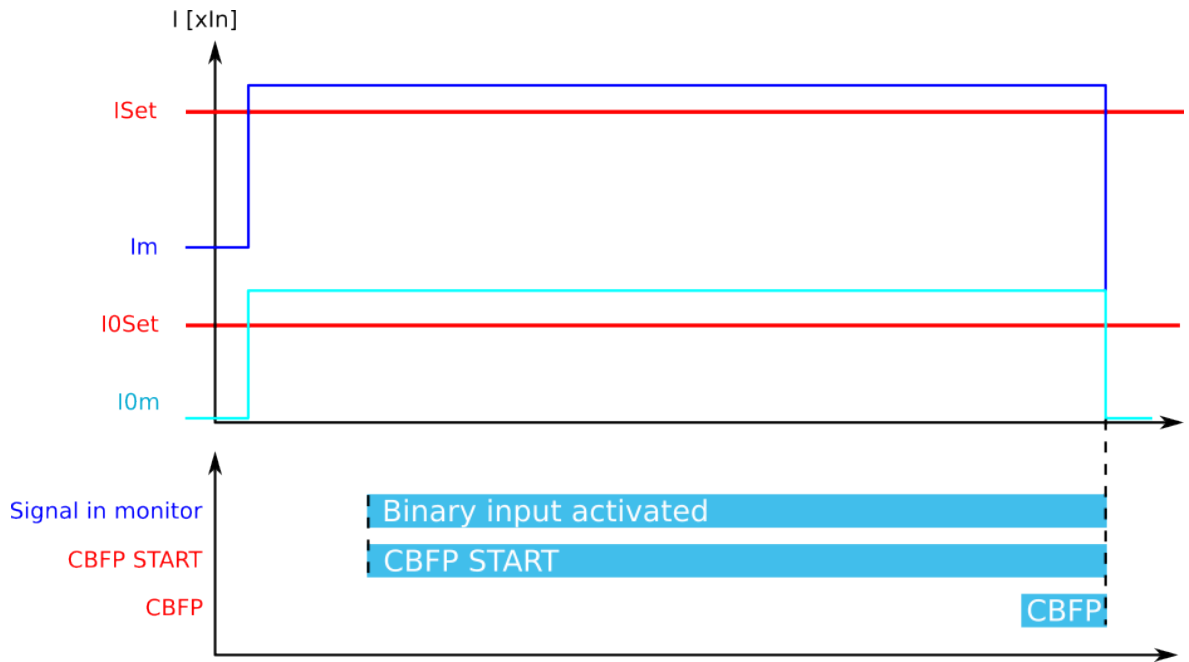
Device configuration as a dedicated CBFP unit

Figure. 4.4.8 - 61. Wiring diagram when the device is configured as a dedicated CBFP unit.



Some applications require a dedicated circuit breaker protection unit. When the CBFP function is configured to operate with a digital input signal, it can be used in these applications. When a device is used for this purpose, the tripping signal is wired to the device's digital input and the device's own TRIP signal is used only for the CBFP purpose. In this application's incomer the RETRIP and CBFP signals are also available with different sets of requirements. The RETRIP signal can be used for tripping the section's feeder breaker and the CBFP signal for tripping the incomer. The following example does not use retripping and the CBFP signal is used as the incomer trip from the outgoing breaker trip signal. The TRIP signal can also be transported between different devices by using GOOSE messages.

Figure. 4.4.8 - 62. Dedicated CBFP operation from digital input signal.



In this mode the CBFP operates only from a digital input signal. Both current and output relay monitoring can be used. The counter for the CBFP signal begins when the digital input is activated. If the counter is active until the CBFP counter is used, the device issues a CBFP command to the incomer breaker. In this application the device tripping signals from all outgoing feeders can be connected to one, dedicated CBFP device which operates either on current-based protection or on all possible faults' CBFP protection.

Events and registers

The circuit breaker failure protection function (abbreviated "CBF" in event block names) generates events and registers from the status changes in RETRIP, in CBFP-activated and CBFP-blocked signals, as well as in internal pick-up comparators. The user can select which event messages are stored in the main event buffer: ON, OFF, or both.

The events triggered by the function are recorded with a time stamp and with process data values.

Table. 4.4.8 - 99. Event messages.

Event block name	Event names
CBF1	Start ON
CBF1	Start OFF

Event block name	Event names
CBF1	Retrip ON
CBF1	Retrip OFF
CBF1	CBFP ON
CBF1	CBFP OFF
CBF1	Block ON
CBF1	Block OFF
CBF1	DO monitor ON
CBF1	DO monitor OFF
CBF1	Signal ON
CBF1	Signal OFF
CBF1	Phase current ON
CBF1	Phase current OFF
CBF1	Res current ON
CBF1	Res current OFF

The function registers its operation into the last twelve (12) time-stamped registers. The register of the function records the ON event process data for ACTIVATED, BLOCKED, etc. The table below presents the structure of the function's register content.

Table. 4.4.8 - 100. Register content.

Date and time	Event	Max phase current	Residual current	Time to RETR	Time to CBFP	Used SG
dd.mm.yyyy hh:mm:ss.mss	Event name	Highest phase current	I01, I02 channel or calculated residual current	Time remaining to retrip activation	Time remaining to CBFP activation	Setting group 1...8 active

4.4.9 Low-impedance or high-impedance restricted earth fault/ cable end differential protection (I0d>; 87N)

The low-impedance or high-impedance restricted earth fault function is used for residual differential current measurement for transformers. This function can also be used as the cable end differential function. The operating principle is low-impedance differential protection with bias characteristics the user can set. A differential current is calculated with the sum of the phase currents and the selected residual current input. In cable end differential mode the function provides natural measurement unbalance compensation for higher operating sensitivity in monitoring cable end faults.

The restricted earth fault function constantly monitors phase currents and selected residual current instant values as well as calculated bias current and differential current magnitudes.

The blocking signal and the setting group selection control the operating characteristics of the function during normal operation, i.e. the user or user-defined logic can change function parameters while the function is running.

The function uses a total of eight (8) separate setting groups which can be selected from one common source. The operating mode of the function can be changed via setting group selection.

The operational logic consists of the following:

- input magnitude selection
- input magnitude processing
- differential characteristic comparator
- block signal check
- output processing.

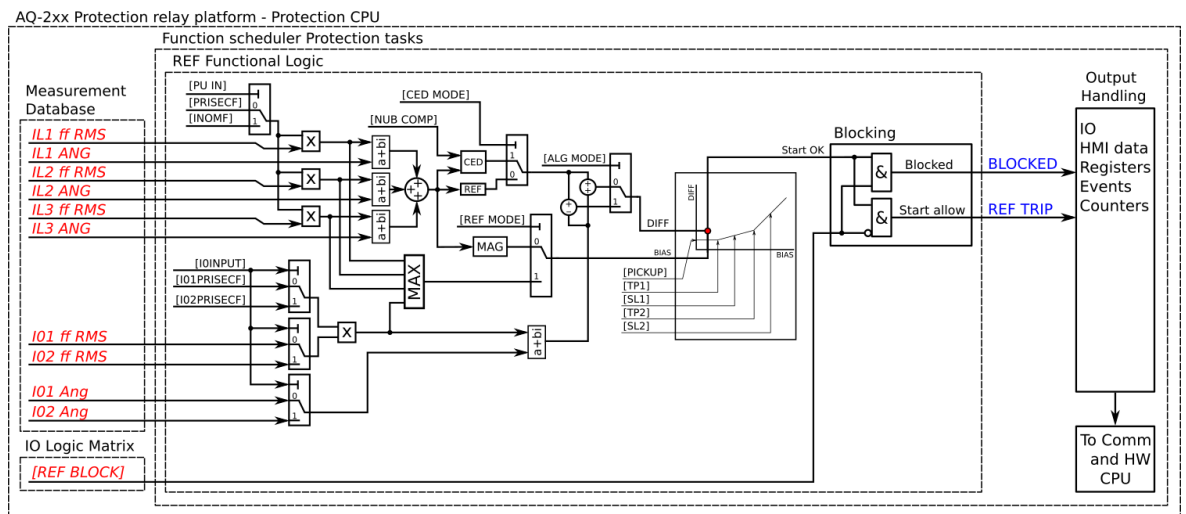
The inputs for the function are the following:

- setting parameters
- measured and pre-processed current magnitudes.

The function's outputs are TRIP and BLOCKED signals which can be used for direct I/O controlling and user logic programming. The function generates general time-stamped ON/OFF events to the common event buffer from each of the two (2) output signals. The time stamp resolution is 1 ms. The function also provides a resettable cumulative counter for the REF, TRIP and BLOCKED events.

The following figure presents a simplified function block diagram of the restricted earth fault function.

Figure. 4.4.9 - 63. Simplified function block diagram of the I0d> function.



Measured input

The function block uses analog current measurement values. It uses the RMS magnitude of the current measurement inputs. Both calculated residual currents and measured residual currents are always used. The user can select inputs I01 or I02 for residual current measurement.

Please note that when the function is in cable end differential mode, the difference is only calculated when the measured I0 current is available.

Table. 4.4.9 - 101. Measurement inputs of the I0d> function.

Signal	Description	Time base
IL1RMS	RMS measurement of phase L1 (A) current	5ms
IL2RMS	RMS measurement of phase L2 (B) current	5ms
IL3RMS	RMS measurement of phase L3 (C) current	5ms
I01RMS	RMS measurement of residual input I01	5ms
I02RMS	RMS measurement of residual input I02	5ms
IL1Ang	Angle of phase L1 (A) current	5ms
IL2 Ang	Angle of phase L2 (B) current	5ms
IL3 Ang	Angle of phase L3 (C) current	5ms
I01 Ang	Angle of residual input I01	5ms
I02 Ang	Angle of residual input I02	5ms

The selection of the used AI channel is made with a setting parameter.

General settings

The following general settings define the general behavior of the function. These settings are static i.e. it is not possible to change them by editing the setting group.

Table. 4.4.9 - 102. General settings.

Name	Range	Default	Description
I0d> LN mode	1: On 2: Blocked 3: Test 4: Test/ Blocked 5: Off	1: On	Set mode of NOC block. This parameter is visible only when <i>Allow setting of individual LN mode</i> is enabled in <i>General</i> menu.
I0d> force status to	0: Normal 1: Trip 2: Blocked	0: Normal	Force the status of the function. Visible only when <i>Enable stage forcing</i> parameter is enabled in <i>General</i> menu.
Restricted earth fault (REF) or Cable End Differential	0: REF 1: CED	0: REF	Selection of the operating characteristics. If REF is selected, the function operates with normal accuracies. If CED is selected, the natural unbalance created by the phase current CT:s can be compensated for more sensitive operation. The default setting is REF.
Compenstate natural unbalance	0:- 1: Comp	-	When activated while the line is energized, the currently present calculated residual current is compensated to 0. This compensation only has an effect in the CED mode.

Operating characteristics

The current-dependent pick-up and activation of the function are controlled by setting parameters, which define the current calculating method used as well as the operating characteristics.

Table. 4.4.9 - 103. Pick-up settings.

Name	Range	Step	Default	Description
I0 Input	0: I01 1: I02	-	0: I01	Selection of the used residual current measurement input.
I0 Direction	0: Add 1: Subtract	-	0: Add	Differential current calculation mode. This matches the directions of the calculated and measured residual currents to the application. The default setting (0: Add) means that $I0Calc + I01$ or $I0Calc + I02$ in a through fault yields no differential current. See figures below for connection examples.
Bias current calculation	0: Residual current $(3I0 + I0Calc)/2$ 1: Maximum (Phase and I0 max)	-	0: Residual current	Selection of the bias current calculation. Differential characteristics biasing can use either the calculated residual current averages or the maximum of all measured currents. The residual current mode is more sensitive while the maximum current is coarser.
I0d> pick-up	0.01...50.00% (of I_n)	0.01%	10%	Setting for basic sensitivity of the differential characteristics.
Turnpoint 1	0.01...50.00 $\times I_n$	0.01 $\times I_n$	1.00 $\times I_n$	Setting for first turn point in the bias axe of the differential characteristics.
Slope 1	0.01...150.00%	0.01%	10.00%	Setting for the first slope of the differential characteristics.
Turnpoint 2	0.01...50.00 $\times I_n$	0.01 $\times I_n$	3.00 $\times I_n$	Setting for second turn point in the bias axe of the differential characteristics.
Slope 2	0.01...250.00%	0.01%	40.00%	Setting for the second slope of the differential characteristics.

Figure. 4.4.9 - 64. "I0 direction" parameter must be set to "Subtract" when current transformers are facing the same direction.

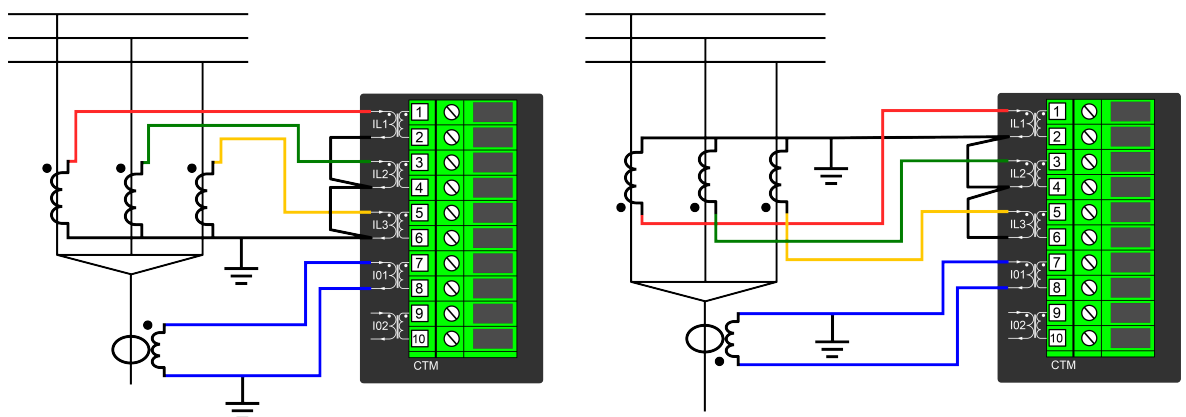
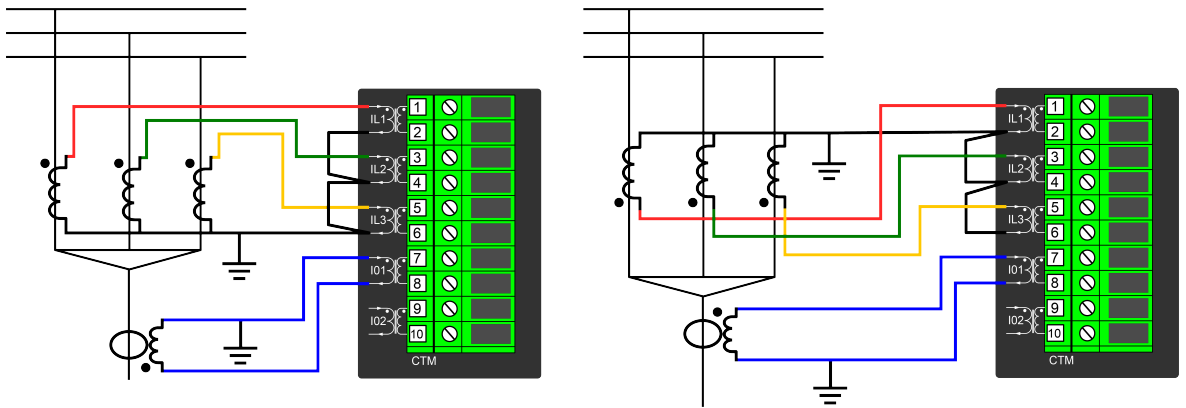


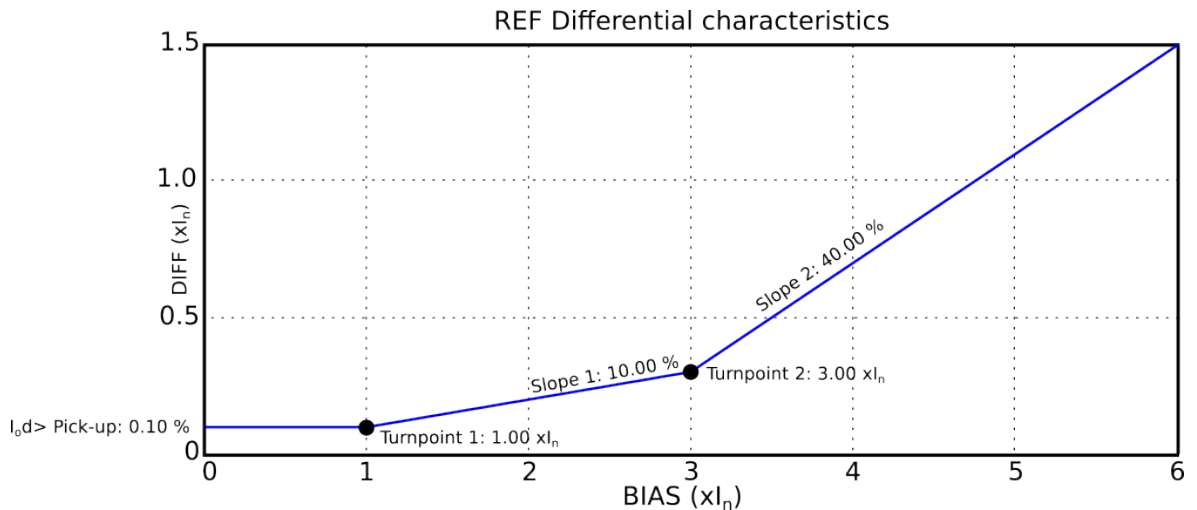
Figure. 4.4.9 - 65. "I0 direction" parameter must be set to "Add" when current transformers are facing each other or away from each other.



The pick-up settings can be selected via setting groups. The pick-up activation of the function is not directly equal to the TRIP signal generation of the function. The TRIP signal is allowed if the blocking condition is not active.

The following figure presents the differential characteristics with default settings.

Figure. 4.4.9 - 66. Differential characteristics for the I0d> function with default settings.



The equations for the differential characteristics are the following:

Figure. 4.4.9 - 67. Differential current (the calculation is based on user-selected inputs and direction).

$$I_{Diff+I01} = (\overline{IL1} + \overline{IL2} + \overline{IL3}) + \overline{I01}$$

$$I_{Diff-I01} = (\overline{IL1} + \overline{IL2} + \overline{IL3}) - \overline{I01}$$

$$I_{Diff+I02} = (\overline{IL1} + \overline{IL2} + \overline{IL3}) + \overline{I02}$$

$$I_{Diff-I02} = (\overline{IL1} + \overline{IL2} + \overline{IL3}) - \overline{I02}$$

Figure. 4.4.9 - 68. Bias current (the calculation is based on the user-selected mode).

$$I_{Bias\ average\ I01} = \frac{|\overline{IL1} + \overline{IL2} + \overline{IL3}| + |\overline{I01}|}{2}$$

$$I_{Bias\ average\ I02} = \frac{|\overline{IL1} + \overline{IL2} + \overline{IL3}| + |\overline{I02}|}{2}$$

$$I_{Bias\ max\ I01} = MAX(|IL1|, |IL2|, |IL3|, |I01|)$$

$$I_{Bias\ max\ I02} = MAX(|IL1|, |IL2|, |IL3|, |I02|)$$

Figure. 4.4.9 - 69. Characteristics settings.

$$Diff_{bias < TP1} = I0_{d > pick-up}$$

$$Diff_{bias TP1...TP2} = SL1 \times (Ix - TP1) + I0_{d > pick-up}$$

$$Diff_{bias > TP2} = SL2 \times (Ix - TP2) + SL1 \times (TP2 - TP1) + I0_{d > pick-up}$$

Read-only parameters

The relay's *Info* page displays useful, real-time information on the state of the protection function. It is accessed either through the relay's HMI display, or through the setting tool software when it is connected to the relay and its Live Edit mode is active.

Table. 4.4.9 - 104. Information displayed by the function.

Name	Range	Description
I0d> LN behaviour	1: On 2: Blocked 3: Test 4: Test/ Blocked 5: Off	Set mode of REF block. This parameter is visible only when <i>Allow setting of individual LN mode</i> is enabled in <i>General</i> menu.
I0d> condition	0: Normal 1: Trip 2: Blocked	Displays the status of the protection function.

Function blocking

The block signal is checked in the beginning of each program cycle. The blocking signal is received from the blocking matrix in the function's dedicated input. If the blocking signal is not activated when the pick-up element activates, a TRIP signal is generated and the function proceeds to the time characteristics calculation.

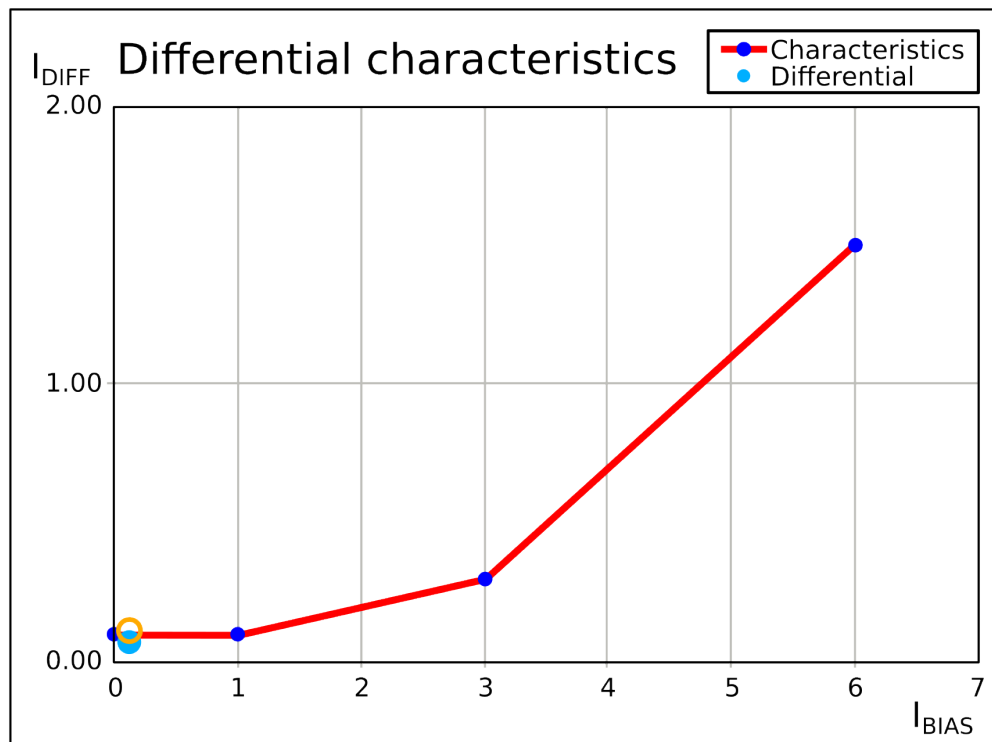
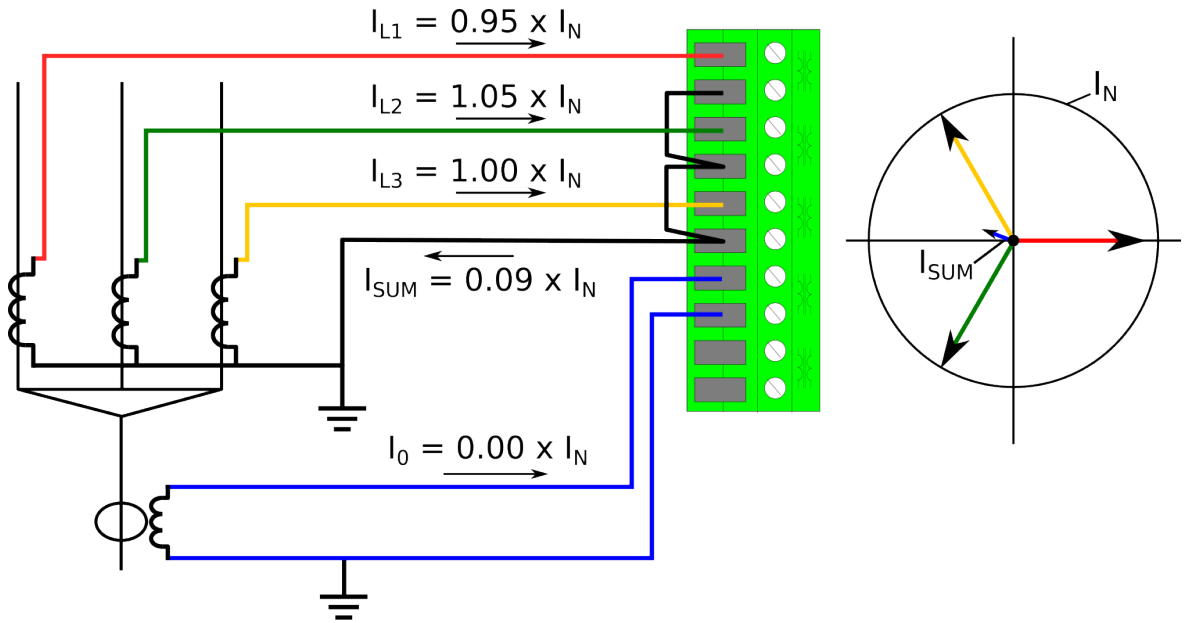
If the blocking signal is active when the pick-up element activates, a BLOCKED signal is generated and the function does not process the situation further. If the TRIP function has been activated before the blocking signal, it resets and processes the release time characteristics similarly to when the pick-up signal is reset.

The blocking of the function causes an HMI display event and a time-stamped blocking event with information of the startup current values and its fault type to be issued.

The variables the user can set are binary signals from the system. The blocking signal needs to reach the device minimum of 5 ms before the set operating delay has passed in order for the blocking to activate in time.

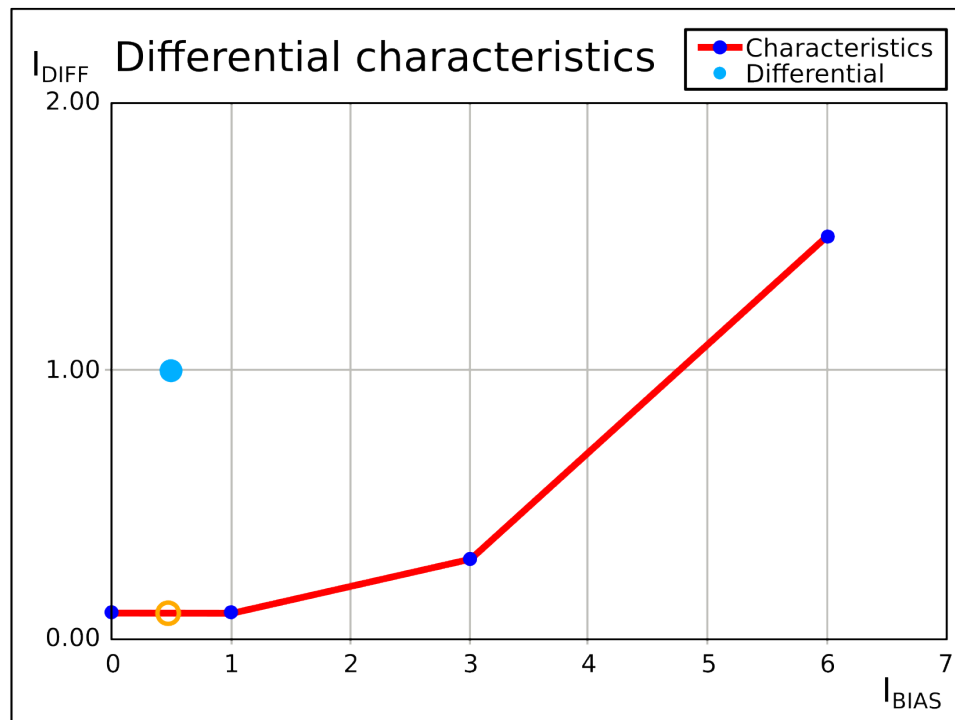
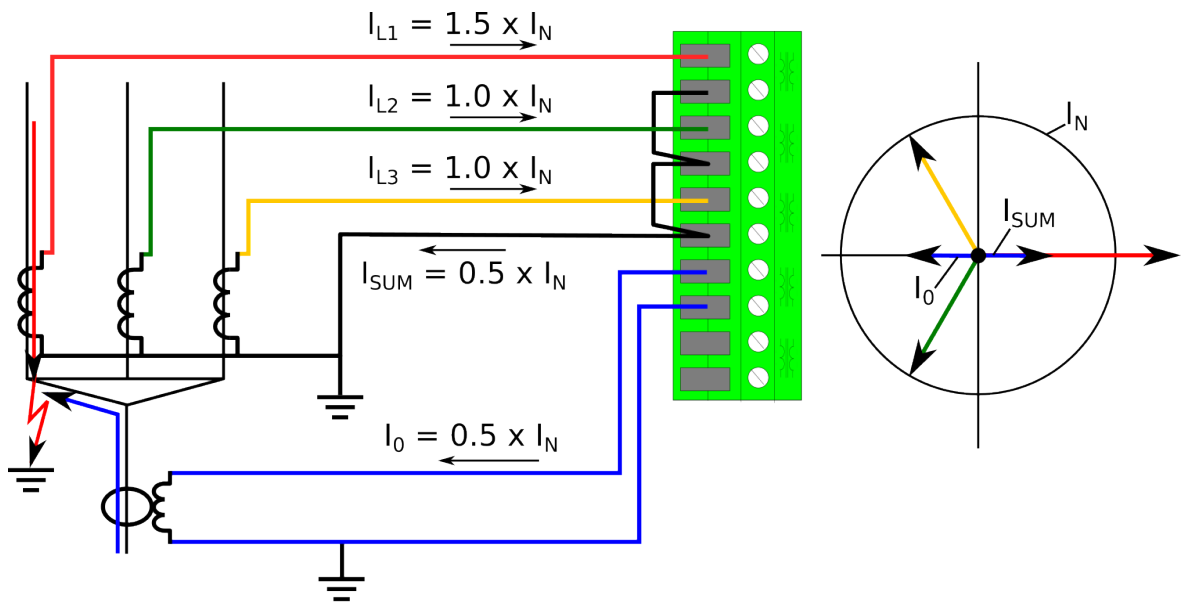
The following figures present some typical applications for this function.

Figure. 4.4.9 - 70. Cable end differential with natural unbalance in the phase current measurement.



When calculating residual current from the phase currents, the natural unbalance can be around 10 % while the used CTs are still within the promised 5P class (which is probably the most common CT accuracy class). When the current natural unbalance is compensated in this situation, the differential settings may be set to be more sensitive and the natural unbalance does not, therefore, affect the calculation.

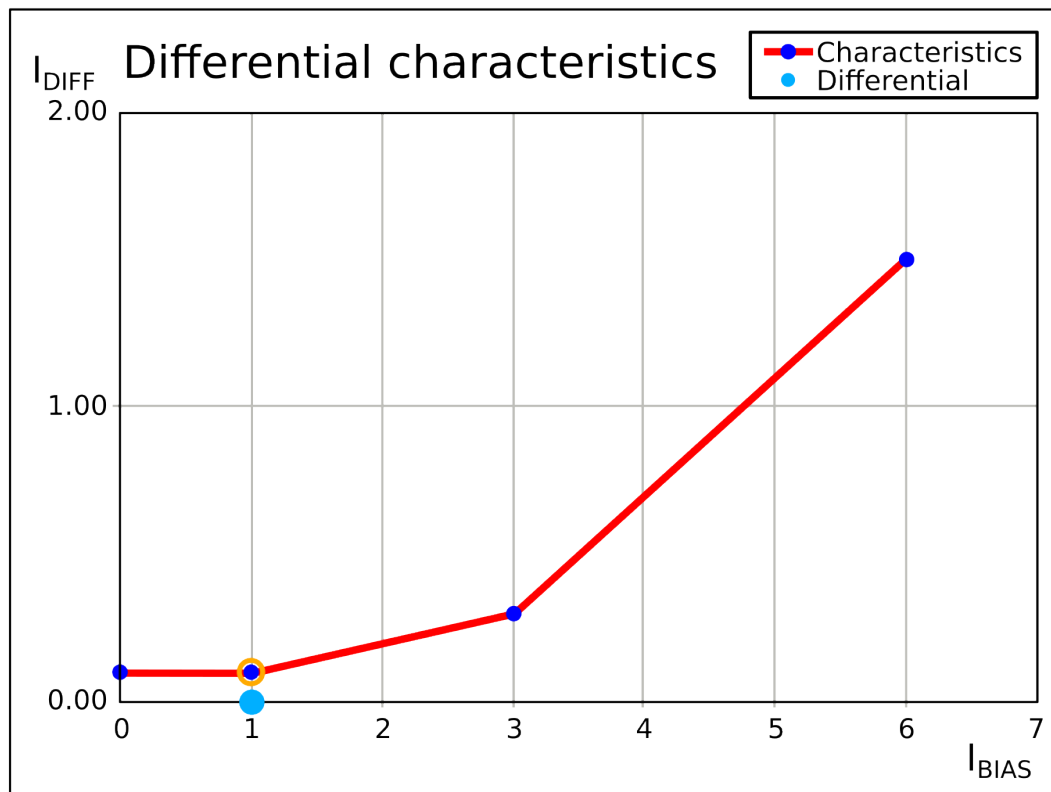
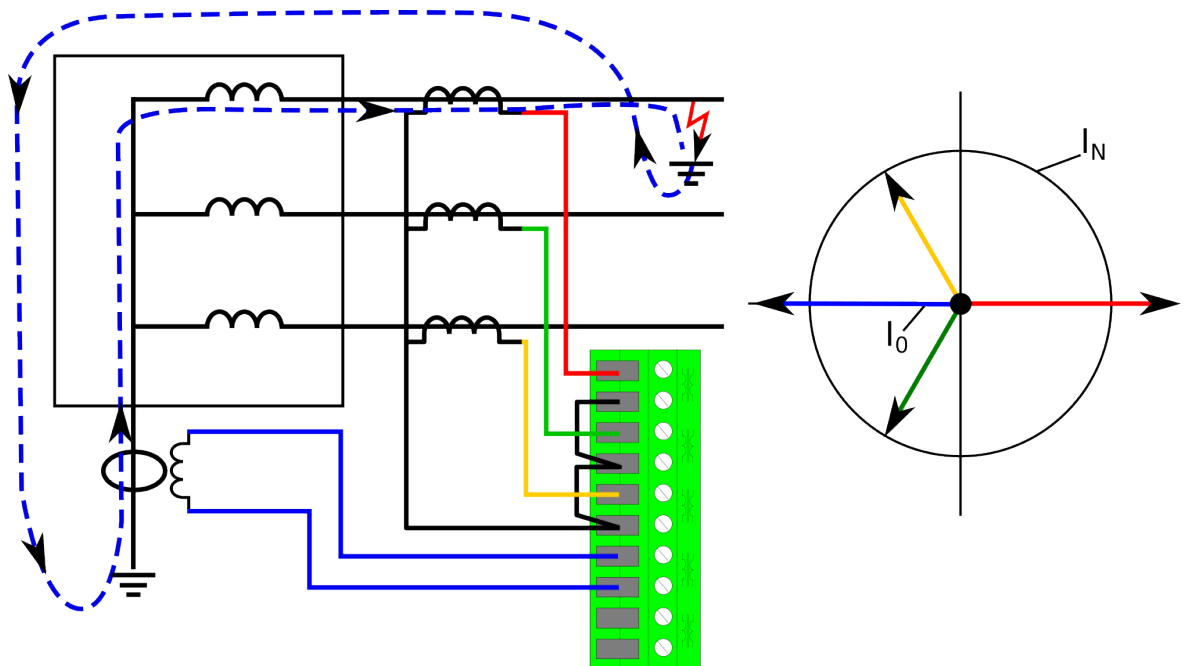
Figure. 4.4.9 - 71. Cable end differential when a fault occurs.



If a starting fault occurs in the cable end, the CED mode catches the difference between the ingoing and the outgoing residual currents. The resulting signal can be used for alarming or tripping purposes for the feeder with the failing cable end. The user can freely change both the settings and the sensitivity of the algorithm.

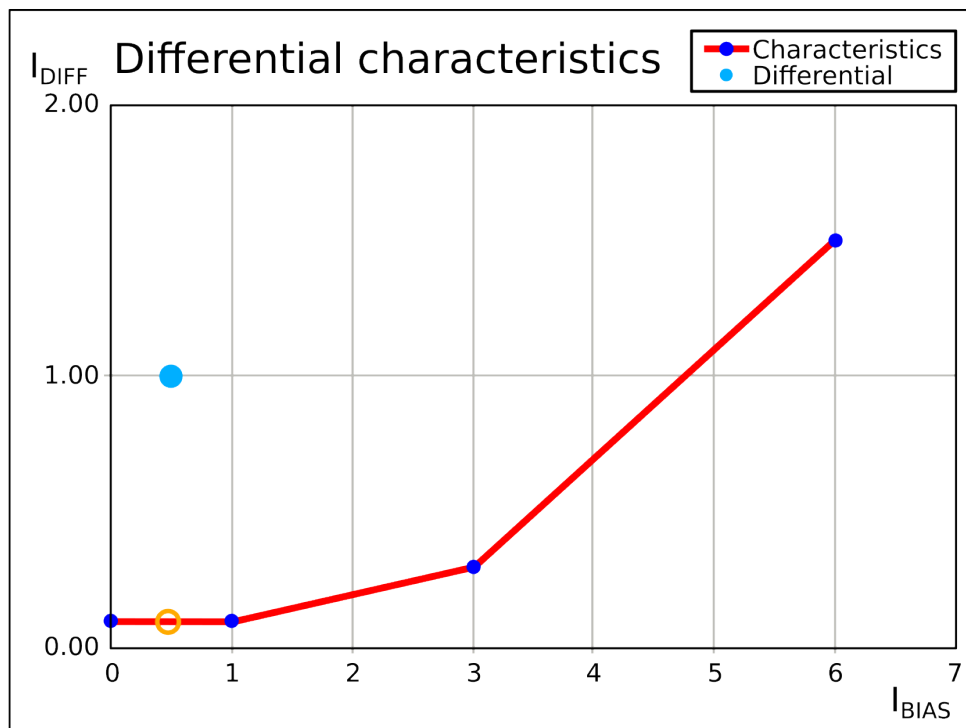
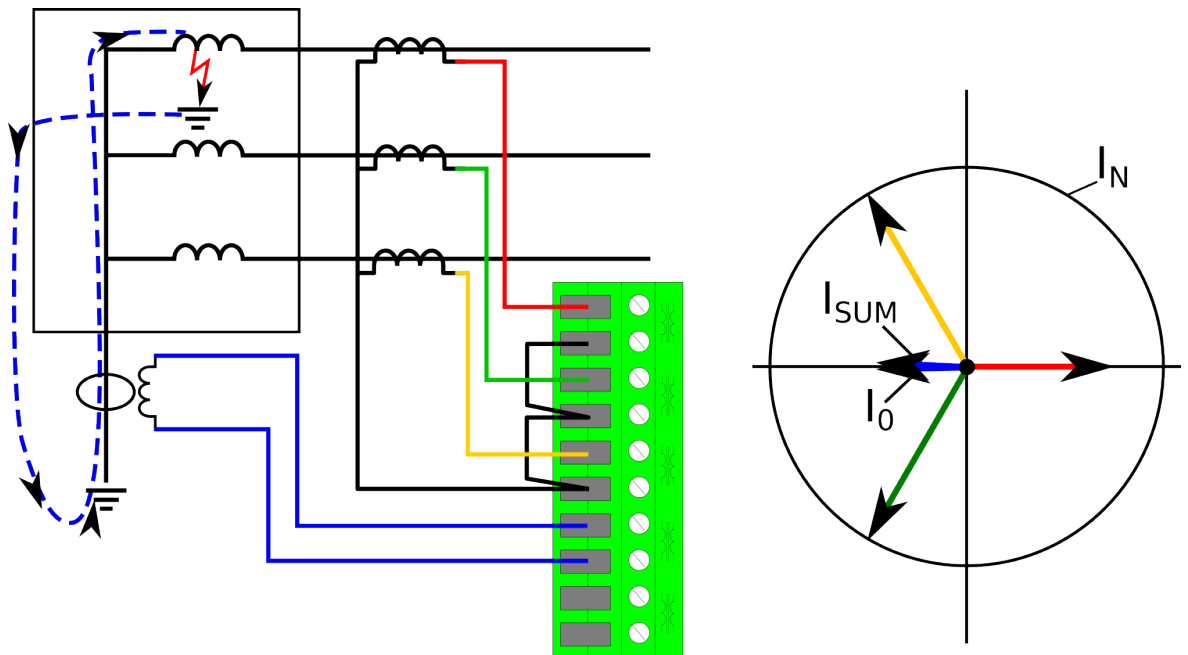
Restricted earth fault protection is usually used in the Y winding of a power transformer. This function is needed to prevent the main differential protection from being tripped by faults occurring outside the protection area; in some cases, the function has to be disabled or its sensitivity limited to catch earth faults inside the protection area. For this purpose, the restricted earth fault function is stable since it only monitors the side it is wired to, and compares the calculated and measured residual currents. During an outside earth fault the circulating residual current in the faulty phase winding does not cause a trip because the comparison of the measured starpoint current and the calculated residual current differential is close to zero.

Figure. 4.4.9 - 72. Restricted earth fault outside a Y winding transformer.



If the fault is located inside of the transformer and thus inside of the protection area, the function catches the fault with high sensitivity. Since the measured residual current now flows in the opposite direction than in the outside fault situation, the measured differential current is high.

Figure. 4.4.9 - 73. Restricted earth fault inside a Y winding transformer.



Events and registers

The restricted earth fault function (abbreviated "REF" in event block names) generates events and registers from the status changes in TRIP-activated and BLOCKED signals. The user can select which event messages are stored in the main event buffer: ON, OFF, or both.

The events triggered by the function are recorded with a time stamp and with process data values.

Table. 4.4.9 - 105. Event messages.

Event block name	Event names
REF1	I0d> (87N) Trip ON
REF1	I0d> (87N) Trip OFF
REF1	I0d> (87N) Block ON
REF1	I0d> (87N) Block OFF

The function registers its operation into the last twelve (12) time-stamped registers. The register of the function records the ON event process data for ACTIVATED, BLOCKED, etc. The table below presents the structure of the function's register content.

Table. 4.4.9 - 106. Register content.

Date and time	Event	Trigger currents	Maximum trigger currents	Residual currents	Used SG
dd.mm.yyyy hh:mm:ss.mss	Event name	Biascurrent Diffcurrent Characteristics diff	Biascurrent max Diffcurrent max Characteristics diff max	I0Calc I0 meas	Setting group 1...8 active

4.4.10 Overvoltage protection (U>; 59)

The overvoltage function is used for instant and time-delayed overvoltage protection. Each device with a voltage protection module has four (4) available stages of the function (U>, U>>, U>>>, U>>>>). The function constantly measures phase voltage magnitudes or line-to-line magnitudes. Overvoltage protection is based on line-to-line RMS measurement or to line-to-neutral RMS measurement (as the user selects). If the protection is based on line-to-line voltage, overvoltage protection is not affected by earth faults in isolated or compensated networks. The blocking signal and the setting group selection control the operating characteristics of the function during normal operation, i.e. the user or user-defined logic can change function parameters while the function is running.

The overvoltage function uses a total of eight (8) separate setting groups which can be selected from one common source.

The function can operate on instant or time-delayed mode. In time-delayed mode the operation can be selected between definite time (DT) mode and inverse definite minimum time (IDMT).

The operational logic consists of the following:

- input magnitude selection
- input magnitude processing
- threshold comparator
- block signal check
- time delay characteristics
- output processing.

The inputs for the function are the following:

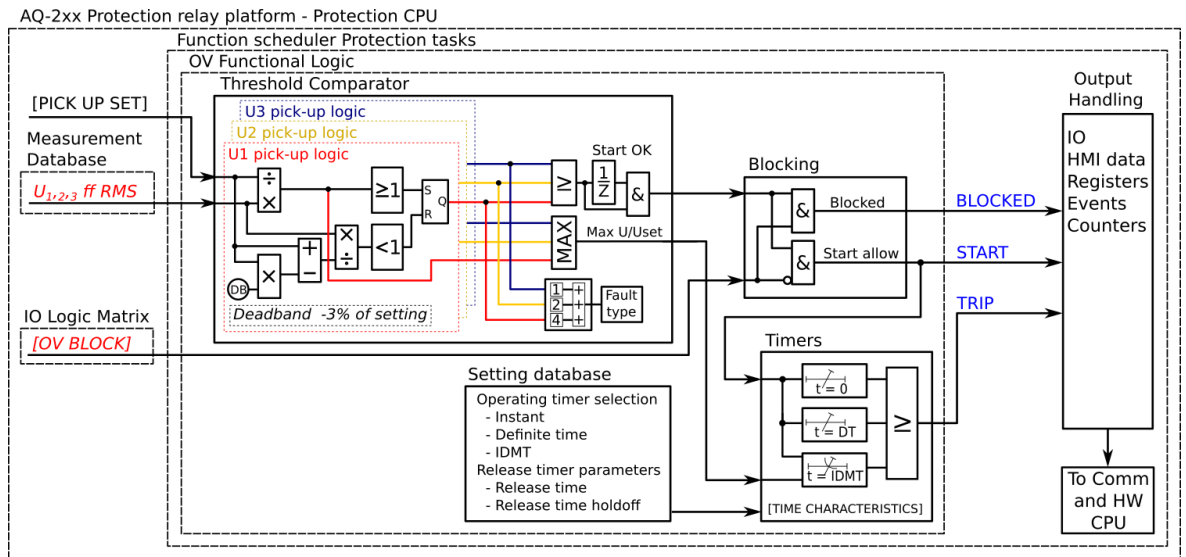
- operating mode selections
- setting parameters
- digital inputs and logic signals

- measured and pre-processed voltage magnitudes.

The function's outputs are START, TRIP and BLOCKED signals which can be used for direct I/O controlling and user logic programming. The function generates general time-stamped ON/OFF events to the common event buffer from each of the three (3) output signals. In the instant operating mode the function outputs START and TRIP events simultaneously with an equivalent time stamp. The time stamp resolution is 1 ms. The function also provides a resettable cumulative counter for the START, TRIP and BLOCKED events.

The following figure presents a simplified function block diagram of the overvoltage function.

Figure. 4.4.10 - 74. Simplified function block diagram of the U> function.



Measured input

The function block uses analog voltage measurement values. The monitored magnitudes are equal to RMS values. A -20 ms averaged value of the selected magnitude is used for pre-fault data registering.

Table. 4.4.10 - 107. Measurement input of the U> function.

Signal	Description	Time base
U _{L12} RMS	RMS measurement of voltage U _{L12} /V	5ms
U _{L23} RMS	RMS measurement of voltage U _{L23} /V	5ms
U _{L31} RMS	RMS measurement of voltage U _{L31} /V	5ms
U _{L1} RMS	RMS measurement of voltage U _{L1} /V	5ms
U _{L2} RMS	RMS measurement of voltage U _{L2} /V	5ms
U _{L3} RMS	RMS measurement of voltage U _{L3} /V	5ms

Table. 4.4.10 - 108. Measured magnitude selection settings.

Name	Description	Range	Step	Default
Measured magnitude	Selection of phase-to-phase or phase-to-earth voltages. Additionally, the U3 or U4 input can be assigned as the voltage channel to be supervised.	0: P-P voltages 1: P-E voltages 2: U3 input (2LL-U3SS) 3: U4 input (SS)	-	0: P-P voltages

The selection of the AI channel in use is made with a setting parameter. In all possible input channel variations the pre-fault condition is presented with a 20 ms averaged history value from -20 ms from START or TRIP event.

Figure. 4.4.10 - 75. Selectable measurement magnitudes with 3LN+U4 VT connection.

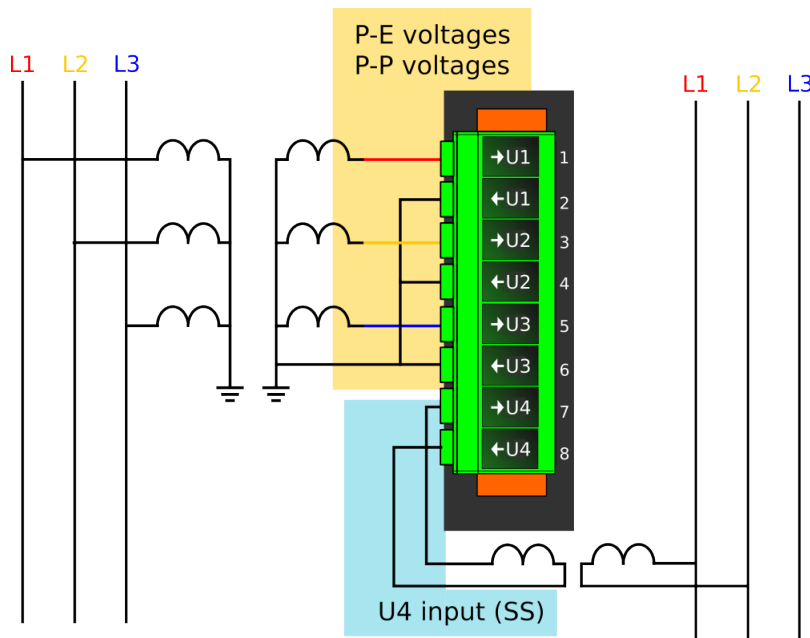


Figure. 4.4.10 - 76. Selectable measurement magnitudes with 3LL+U4 VT connection (P-E voltages not available without residual voltage).

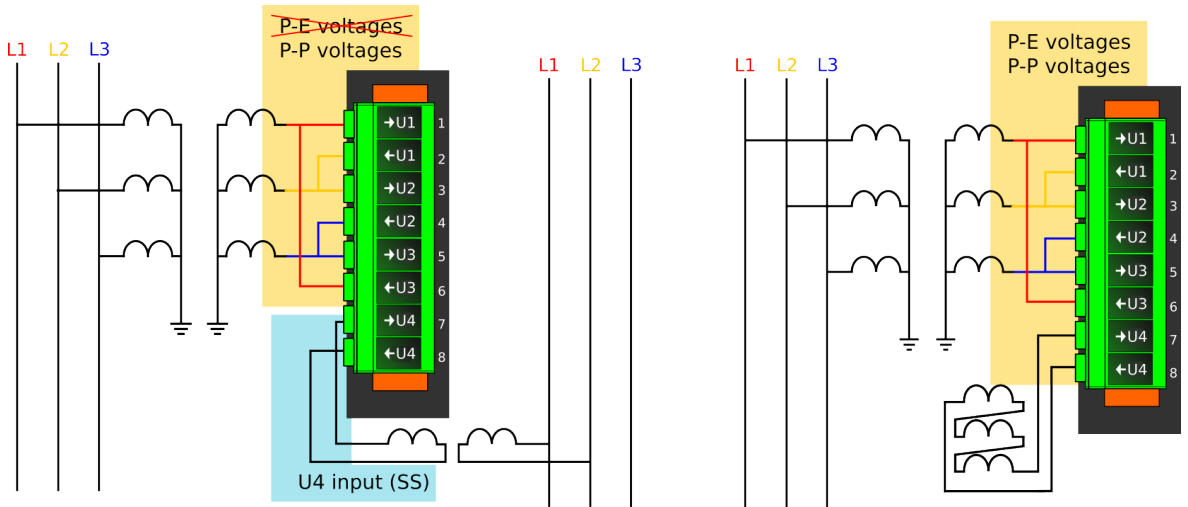
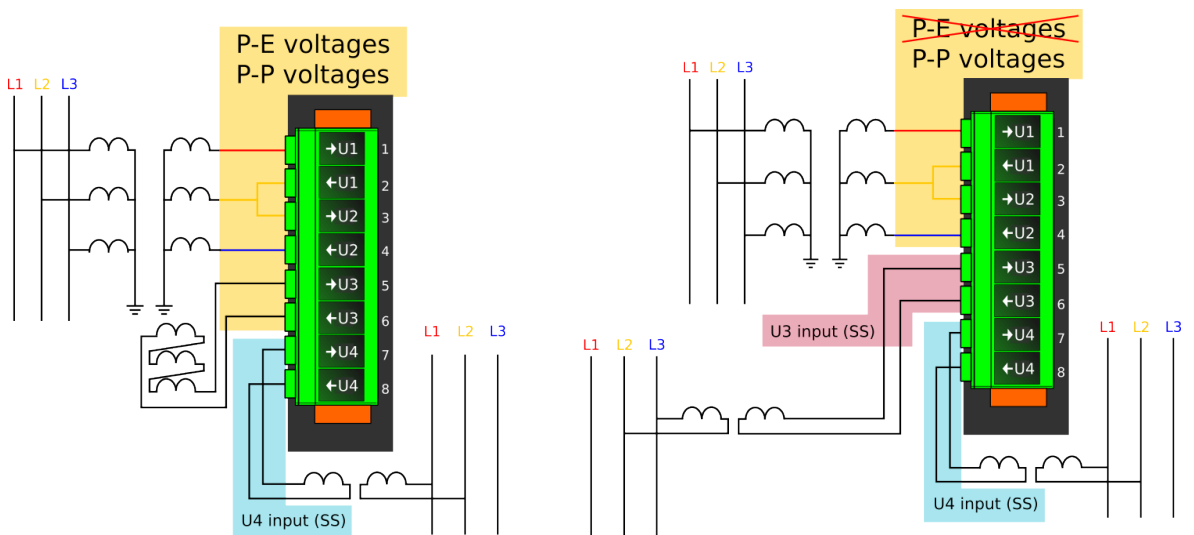


Figure. 4.4.10 - 77. Selectable measurement magnitudes with 2LL+U3+U4 VT connection (P-E voltages not available without residual voltage).



P-P Voltages and *P-E Voltages* selections follow phase-to-neutral or phase-to-phase voltages in the first three voltage channels (or two first voltage channels in the 2LL+U3+U4 mode). *U4 input* selection follows the voltage in Channel 4. *U3Input* selection only follows the voltage in Channel 3 if the 2LL+U3+U4 mode is in use.

General settings

The following general settings define the general behavior of the function. These settings are static i.e. it is not possible to change them by editing the setting group.

Table. 4.4.10 - 109. General settings of the function.

Name	Range	Default	Description
U> LN mode	1: On 2: Blocked 3: Test 4: Test/Blocked 5: Off	0: On	Set mode of OV block. This parameter is visible only when <i>Allow setting of individual LN mode</i> is enabled in <i>General</i> menu.
U> force status to	0: Normal 1: Start 2: Trip 3: Blocked	0: Normal	Force the status of the function. Visible only when <i>Enable stage forcing</i> parameter is enabled in <i>General</i> menu.

Pick-up

The U_{set} setting parameter controls the pick-up of the U> function. This defines the maximum allowed measured voltage before action from the function. The function constantly calculates the ratio between the U_{set} and the measured magnitude (U_m) for each of the three voltages. The reset ratio of 97 % is built into the function and is always relative to the U_{set} value. The setting value is common for all measured amplitudes, and when the U_m exceeds the U_{set} value (in single, dual or all voltages) it triggers the pick-up operation of the function.

Table. 4.4.10 - 110. Pick-up settings.

Name	Description	Range	Step	Default
Operation mode	Pick-up criteria selection	0: 1 voltage 1: 2 voltages 2: 3 voltages	-	0: 1 voltage
U_{set}	Pick-up setting	50.00...150.00% U_n	0.01% U_n	105% U_n

The pick-up activation of the function is not directly equal to the START signal generation of the function. The START signal is allowed if the blocking condition is not active.

Read-only parameters

The relay's *Info* page displays useful, real-time information on the state of the protection function. It is accessed either through the relay's HMI display, or through the setting tool software when it is connected to the relay and its Live Edit mode is active.

Table. 4.4.10 - 111. Information displayed by the function.

Name	Range	Step	Description
U> LN behaviour	1: On 2: Blocked 3: Test 4: Test/Blocked 5: Off	-	Displays the mode of OV block. This parameter is visible only when <i>Allow setting of individual LN mode</i> is enabled in <i>General</i> menu.

Name	Range	Step	Description
U< pick-up setting	0.0...1 000 000.0V	0.1V	The primary voltage required for tripping. The displayed pick-up voltage level depends on the pick-up setting and the voltage transformer settings.
Expected operating time	0.000...1800.000s	0.005s	Displays the expected operating time when a fault occurs. When IDMT mode is used, the expected operating time depends on the measured voltage value. If the measured voltage changes during a fault, the expected operating time changes accordingly.
Time remaining to trip	-1800.000...1800.000s	0.005s	When the function has detected a fault and counts down time towards a trip, this displays how much time is left before tripping occurs.
$U_{A(B)}$ meas/ U_{set} at the moment	0.00...1250.00 U_m/U_{set}	0.01 U_m/U_{set}	The ratio between U_A or U_{AB} voltage and the pick-up value.
$U_{B(c)}$ meas/ U_{set} at the moment	0.00...1250.00 U_m/U_{set}	0.01 U_m/U_{set}	The ratio between U_B or U_{BC} voltage and the pick-up value.
$U_{C(A)}$ meas/ U_{set} at the moment	0.00...1250.00 U_m/U_{set}	0.01 U_m/U_{set}	The ratio between U_C or U_{CA} voltage and the pick-up value.
U_{meas}/U_{set} at the moment	0.00...1250.00 U_m/U_{set}	0.01 U_m/U_{set}	The ratio between the measured voltage and the pick-up value.

Function blocking

The block signal is checked in the beginning of each program cycle. The blocking signal is received from the blocking matrix in the function's dedicated input. If the blocking signal is not activated when the pick-up element activates, a START signal is generated and the function proceeds to the time characteristics calculation.

If the blocking signal is active when the pick-up element activates, a BLOCKED signal is generated and the function does not process the situation further. If the START function has been activated before the blocking signal, it resets and the release time characteristics are processed similarly to when the pick-up signal is reset.

The blocking of the function causes an HMI display event and a time-stamped blocking event with information of the startup voltage values and its fault type to be issued.

The variables the user can set are binary signals from the system. The blocking signal needs to reach the device minimum of 5 ms before the set operating delay has passed in order for the blocking to activate in time.

Operating time characteristics for trip and reset

The operating timers' behavior during a function can be set for TRIP signal and also for the release of the function in case the pick-up element is reset before the trip time has been reached. There are three basic operating modes available for the function:

- Instant operation: gives the TRIP signal with no additional time delay simultaneously with the START signal.
- Definite time operation (DT): gives the TRIP signal after a user-defined time delay regardless of the measured voltage as long as the voltage is above the U_{set} value and thus the pick-up element is active (independent time characteristics).
- Inverse definite minimum time (IDMT): gives the TRIP signal after a time which is in relation to the set pick-up voltage U_{set} and the measured voltage U_m (dependent time characteristics).

The IDMT function follows this formula:

$$t = \frac{k}{\left(\frac{U_m}{U_s}\right)^a - 1}$$

Where:

- t = operating time
- k = time dial setting
- U_m = measured voltage
- U_s = pick-up setting
- a = IDMT Multiplier setting

The following table presents the setting parameters for the function's time characteristics.

Table. 4.4.10 - 112. Setting parameters for operating time characteristics.

Name	Range	Step	Default	Description
Delay type	1: DT 2: IDMT	-	1: DT	Selection of the delay type time counter. The selection possibilities are dependent (IDMT, Inverse Definite Minimum Time) and independent (DT, Definite Time) characteristics.
Definite operating time delay	0.000...800.000s	0.005s	0.040s	Definite time operating delay. The setting is active and visible when DT is the selected delay type. When set to 0.000 s, the stage operates as instant stage without added delay. When the parameter is set to 0.005...1800 s, the stage operates as independent delayed.
Time dial setting k	0.01...60.00s	0.01s	0.05s	This setting is active and visible when IDMT is the selected delay type. Time dial/multiplier setting for IDMT characteristics.
IDMT Multiplier	0.01...25.00s	0.01s	1.00s	This setting is active and visible when IDMT is the selected delay type. IDMT time multiplier in the U_m/U_{set} power.

Table. 4.4.10 - 113. Setting parameters for reset time characteristics.

Name	Range	Step	Default	Description
Release time delay	0.000...150.000s	0.005s	0.06s	Resetting time. The time allowed between pick-ups if the pick-up has not led to a trip operation. During this time the START signal is held on for the timers if the delayed pick-up release is active.

Name	Range	Step	Default	Description
Delayed pick-up release	1: No 2: Yes	-	1: Yes	Resetting characteristics selection either as time-delayed or as instant after the pick-up element is released. If activated the START signal is reset after the set release time delay.
Time calc reset after release time	1: No 2: Yes	-	2: Yes	Operating timer resetting characteristics selection. When active, the operating time counter is reset after a set release time if the pick-up element is not activated during this time. When disabled, the operating time counter is reset directly after the pick-up element is reset.
Continue time calculation during release time	1: No 2: Yes	-	1: No	Time calculation characteristics selection. If activated, the operating time counter is continuing until a set release time has passed even if the pick-up element is reset.

The user can reset characteristics through the application. The default setting is a 60 ms delay; the time calculation is held during the release time.

In the release delay option the operating time counter calculates the operating time during the release. When using this option the function does not trip if the input signal is not re-activated while the release time count is on-going.

Events and registers

The overvoltage function (abbreviated "OV" in event block names) generates events and registers from the status changes in START, TRIP, and BLOCKED. The user can select which event messages are stored in the main event buffer: ON, OFF, or both. The function offers four (4) independent stages; the events are segregated for each stage operation.

The events triggered by the function are recorded with a time stamp and with process data values.

Table. 4.4.10 - 114. Event messages.

Event block name	Event names
OV1	Start ON
OV1	Start OFF
OV1	Trip ON
OV1	Trip OFF
OV1	Block ON
OV1	Block OFF
OV2	Start ON
OV2	Start OFF
OV2	Trip ON
OV2	Trip OFF
OV2	Block ON

Event block name	Event names
OV2	Block OFF
OV3	Start ON
OV3	Start OFF
OV3	Trip ON
OV3	Trip OFF
OV3	Block ON
OV3	Block OFF
OV4	Start ON
OV4	Start OFF
OV4	Trip ON
OV4	Trip OFF
OV4	Block ON
OV4	Block OFF

The function registers its operation into the last twelve (12) time-stamped registers; this information is available for all provided instances separately. The register of the function records the ON event process data for START, TRIP or BLOCKED. The table below presents the structure of the function's register content.

Table. 4.4.10 - 115. Register content.

Date and time	Event	Fault type	Pre-trigger voltage	Fault voltage	Pre-fault voltage	Trip time remaining	Used SG
dd.mm.yyyy hh:mm:ss.mss	Event name	L1-E... L1-L2-L3	Start/Trip -20ms voltage	Start/Trip voltage	Start -200ms voltage	0 s...1800s	Setting group 1...8 active

4.4.11 Undervoltage protection (U<; 27)

The undervoltage function is used for instant and time-delayed undervoltage protection. Each device with a voltage protection module has four (4) available stages of the function (U>, U>>, U>>>, U>>>>). The function constantly measures phase voltage magnitudes or line-to-line voltage magnitudes. Undervoltage protection is based on line-to-line voltages or to line-to-neutral voltages (as the user selects). If the protection is based on line-to-line voltage, undervoltage protection is not affected by earth faults in isolated or compensated networks. Undervoltage protection has two blocking stages: internal blocking (based on voltage measurement and low voltage), or external blocking (e.g. during voltage transformer fuse failure). The blocking signal and the setting group selection control the operating characteristics of the function during normal operation, i.e. the user or user-defined logic can change function parameters while the function is running.

The undervoltage function uses a total of eight (8) separate setting groups which can be selected from one common source.

The function can operate on instant or time-delayed mode. In time-delayed mode the operation can be selected between definite time (DT) mode and inverse definite minimum time (IDMT).

The operational logic consists of the following:

- input magnitude selection
- input magnitude processing
- threshold comparator
- two block signal checks (undervoltage block or stage external signal)
- time delay characteristics
- output processing.

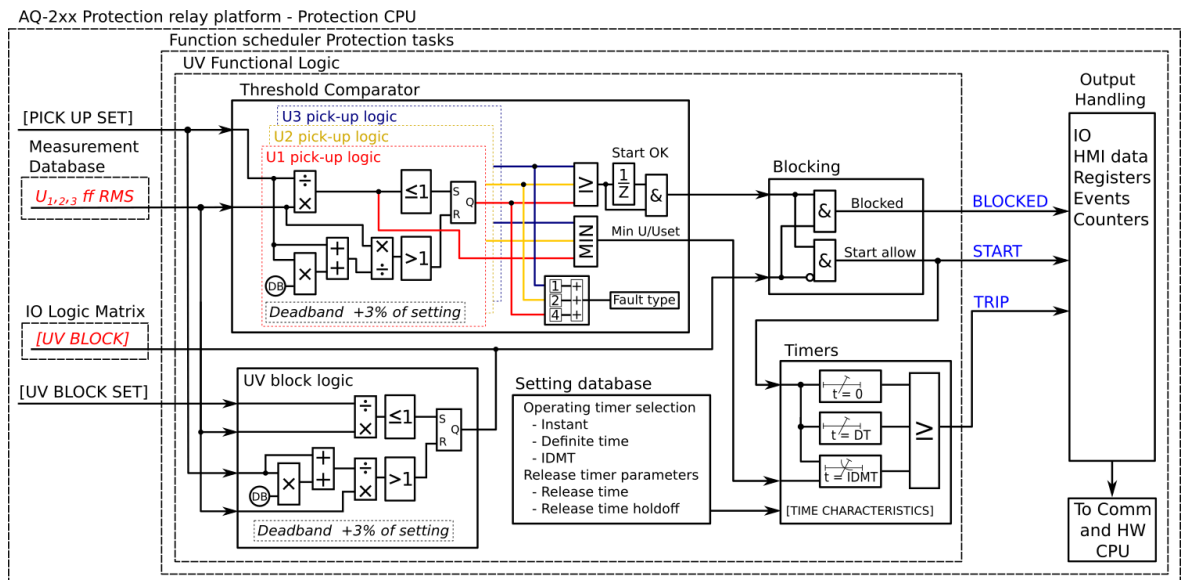
The inputs for the function are the following:

- operating mode selections
- setting parameters
- digital inputs and logic signals
- measured and pre-processed voltage magnitudes.

The function's outputs are START, TRIP and BLOCKED signals which can be used for direct I/O controlling and user logic programming. The function generates general time-stamped ON/OFF events to the common event buffer from each of the three (3) output signals. In the instant operating mode the function outputs START and TRIP events simultaneously with an equivalent time stamp. The time stamp resolution is 1 ms. The function also provides a resettable cumulative counter for the START, TRIP and BLOCKED events.

The following figure presents a simplified function block diagram of the undervoltage function.

Figure. 4.4.11 - 78. Simplified function block diagram of the U< function.



Measured input

The function block uses analog voltage measurement values. The monitored voltage magnitudes are equal to RMS values. A -20 ms averaged value of the selected magnitude is used for pre-fault data registering.

Table. 4.4.11 - 116. Measurement inputs of the U< function.

Signal	Description	Time base
U _{L12} RMS	RMS measurement of voltage U _{L12} /V	5ms
U _{L23} RMS	RMS measurement of voltage U _{L23} /V	5ms
U _{L31} RMS	RMS measurement of voltage U _{L31} /V	5ms
U _{L1} RMS	RMS measurement of voltage U _{L1} /V	5ms
U _{L2} RMS	RMS measurement of voltage U _{L2} /V	5ms
U _{L3} RMS	RMS measurement of voltage U _{L3} /V	5ms

Table. 4.4.11 - 117. Measured magnitude selection settings.

Name	Description	Range	Step	Default
Measured magnitude	Selection of P-P or P-E voltages. Additionally, the U3 or U4 input can be assigned as the voltage channel to be supervised.	0: P-P voltages 1: P-E voltages 2: U3 input (2LL-U3SS) 3: U4 input (SS)	-	0: P-P voltages

The selection of the AI channel in use is made with a setting parameter. In all possible input channel variations the pre-fault condition is presented with a 20 ms averaged history value from -20 ms from START or TRIP event.

Figure. 4.4.11 - 79. Selectable measurement magnitudes with 3LN+U4 VT connection.

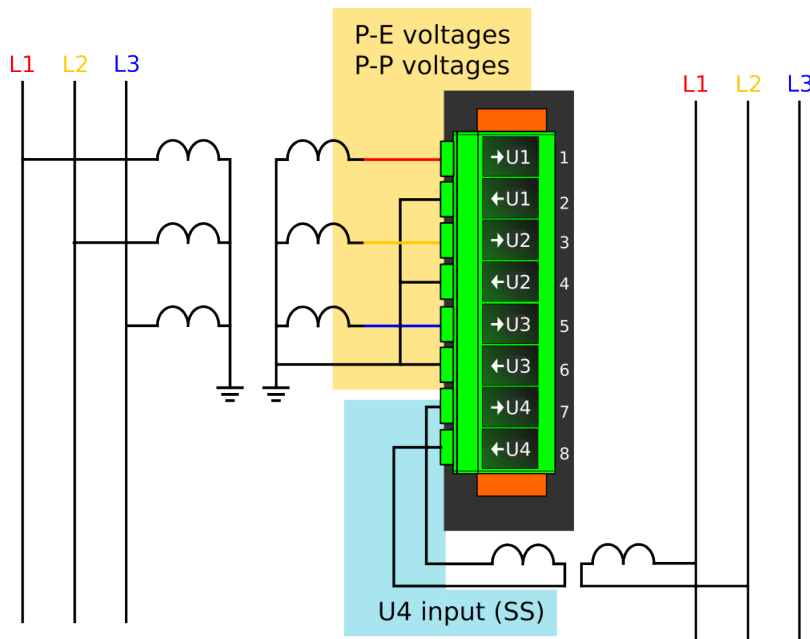


Figure. 4.4.11 - 80. Selectable measurement magnitudes with 3LL+U4 VT connection (P-E voltages not available without residual voltage).

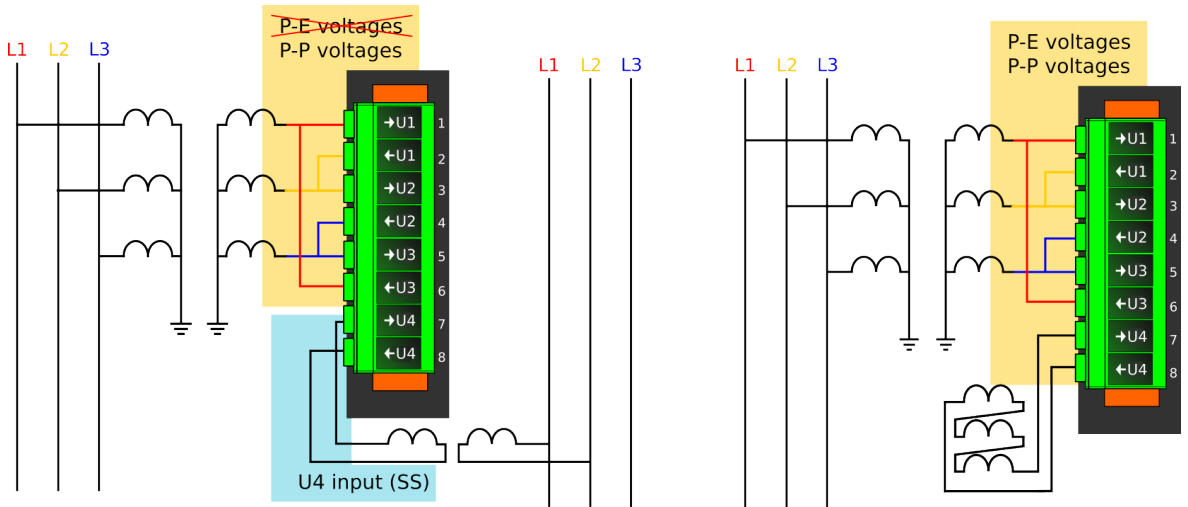
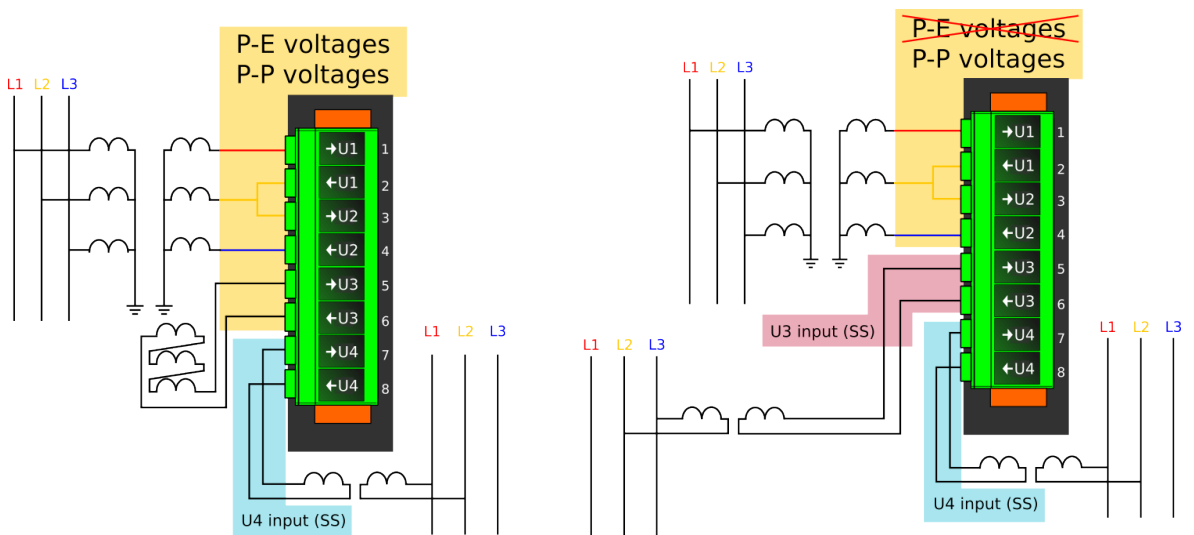


Figure. 4.4.11 - 81. Selectable measurement magnitudes with 2LL+U4 VT connection (P-E voltages not available without residual voltage).



P-P Voltages and *P-E Voltages* selections follow phase-to-neutral or phase-to-phase voltages in the first three voltage channels (or two first voltage channels in the 2LL+U3+U4 mode). *U4 input* selection follows the voltage in Channel 4. *U3Input* selection only follows the voltage in Channel 3 if the 2LL+U3+U4 mode is in use.

General settings

The following general settings define the general behavior of the function. These settings are static i.e. it is not possible to change them by editing the setting group.

Table. 4.4.11 - 118. General settings of the function.

Name	Range	Default	Description
U< LN mode	1: On 2: Blocked 3: Test 4: Test/Blocked 5: Off	0: On	Set mode of UV block. This parameter is visible only when <i>Allow setting of individual LN mode</i> is enabled in <i>General</i> menu.
U< force status to	0: Normal 1: Start 2: Trip 3: Blocked	0: Normal	Force the status of the function. Visible only when <i>Enable stage forcing</i> parameter is enabled in <i>General</i> menu.

Pick-up

The U_{set} setting parameter controls the pick-up of the U< function. This defines the minimum allowed measured voltage before action from the function. The function constantly calculates the ratio between the U_{set} and the measured magnitude (U_m) for each of the three voltages. The reset ratio of 103 % is built into the function and is always relative to the U_{set} value. The setting value is common for all measured amplitudes, and when the U_m exceeds the U_{set} value (in single, dual or all voltages) it triggers the pick-up operation of the function.

Table. 4.4.11 - 119. Pick-up settings.

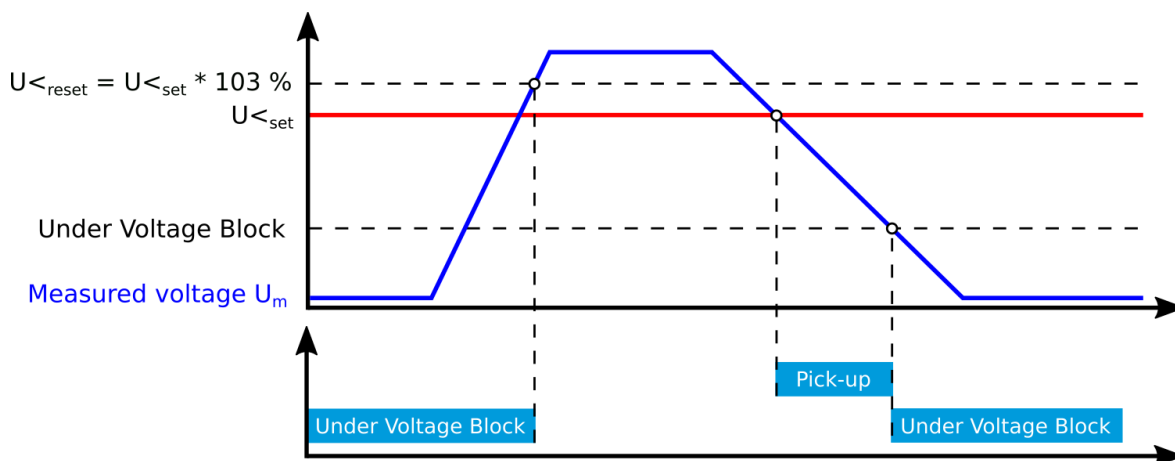
Name	Description	Range	Step	Default
U_{set}	Pick-up setting	0.00...120.00% U_n	0.01% U_n	60% U_n
U Block setting	Block setting. If set to zero, blocking is not in use. The operation is explained in the next chapter.	0.00...100.00% U_n	0.01% U_n	10% U_n

The pick-up activation of the function is not directly equal to the START signal generation of the function. The START signal is allowed if the blocking condition is not active.

Using *Block setting* to prevent nuisance trips

It is recommended to use the *Block setting* parameter to prevent the relay from tripping in a situation where the network is de-energized. When the measured voltage drops below the set value, the relay does not give a tripping signal. If the measured voltage has dropped below the *Block setting* parameter, the blocking continues until all of the line voltages have increased above the U< pick-up setting. Please see the image below for a visualization of this function. If the block level is set to zero (0), blocking is not in use.

Figure. 4.4.11 - 82. Example of the block setting operation.



Read-only parameters

The relay's *Info* page displays useful, real-time information on the state of the protection function. It is accessed either through the relay's HMI display, or through the setting tool software when it is connected to the relay and its Live Edit mode is active.

Table. 4.4.11 - 120. Information displayed by the function.

Name	Range	Step	Description
U< LN behaviour	1: On 2: Blocked 3: Test 4: Test/Blocked 5: Off	-	Displays the mode of UV block. This parameter is visible only when <i>Allow setting of individual LN mode</i> is enabled in <i>General</i> menu.
U< pick-up setting	0.0...1 000 000.0V	0.1V	The primary voltage required for tripping. The displayed pick-up voltage level depends on the pick-up setting and the voltage transformer settings.
U< block setting	0.0...1 000 000.0V	0.1V	The primary voltage level required for trip blocking. If the measured voltage is below this value, the network is considered de-energized and the function will not trip. To deactivate the blocking the measured voltage must exceed the pick-up setting value.
Expected operating time	0.000...1800.000s	0.005s	Displays the expected operating time when a fault occurs. When IDMT mode is used, the expected operating time depends on the measured voltage value. If the measured voltage changes during a fault, the expected operating time changes accordingly.
Time remaining to trip	-1800.000...1800.000s	0.005s	When the function has detected a fault and counts down time towards a trip, this displays how much time is left before tripping occurs.
U _{A(B)} meas/U _{set} at the moment	0.00...1250.00U _m /U _{set}	0.01U _m /U _{set}	The ratio between U _A or U _{AB} voltage and the pick-up value.

Name	Range	Step	Description
$U_{B(c)}$ $_{meas}/U_{set}$ at the moment	0.00...1250.00 U_m/U_{set}	0.01 U_m/U_{set}	The ratio between U_B or U_{BC} voltage and the pick-up value.
$U_{C(A)}$ $_{meas}/U_{set}$ at the moment	0.00...1250.00 U_m/U_{set}	0.01 U_m/U_{set}	The ratio between U_C or U_{CA} voltage and the pick-up value.
U_{meas}/U_{set} at the moment	0.00...1250.00 U_m/U_{set}	0.01 U_m/U_{set}	The ratio between the lowest measured phase or line voltage and the pick-up value.

Function blocking

The block signal is checked in the beginning of each program cycle. The blocking signal is received from the blocking matrix in the function's dedicated input. If the blocking signal is not activated when the pick-up element activates, a START signal is generated and the function proceeds to the time characteristics calculation.

If the blocking signal is active when the pick-up element activates, a BLOCKED signal is generated and the function does not process the situation further. If the START function has been activated before the blocking signal, it resets and the release time characteristics are processed similarly to when the pick-up signal is reset.

The blocking of the function causes an HMI display event and a time-stamped blocking event with information of the startup voltage values and its fault type to be issued.

The variables the user can set are binary signals from the system. The blocking signal needs to reach the device minimum of 5 ms before the set operating delay has passed in order for the blocking to activate in time.

Operating time characteristics for trip and reset

The operating timers' behavior during a function can be set for TRIP signal and also for the release of the function in case the pick-up element is reset before the trip time has been reached. There are three basic operating modes available for the function:

- Instant operation: gives the TRIP signal with no additional time delay simultaneously with the START signal.
- Definite time operation (DT): gives the TRIP signal after a user-defined time delay regardless of the measured voltage as long as the voltage is above the U_{set} value and thus the pick-up element is active (independent time characteristics).
- Inverse definite minimum time (IDMT): gives the TRIP signal after a time which is in relation to the set pick-up voltage U_{set} and the measured voltage U_m (dependent time characteristics).

The IDMT function follows this formula:

$$t = \frac{k}{1 - \left(\frac{U_m}{U_s}\right)^a}$$

Where:

- t = operating time
- k = time dial setting
- U_m = measured voltage
- U_s = pick-up setting
- a = IDMT multiplier setting

The following table presents the setting parameters for the function's time characteristics.

Table. 4.4.11 - 121. Setting parameters for operating time characteristics.

Name	Range	Step	Default	Description
Delay type	1: DT 2: IDMT	-	1: DT	Selection of the delay type time counter. The selection possibilities are dependent (IDMT, Inverse Definite Minimum Time) and independent (DT, Definite Time) characteristics.
Definite operating time delay	0.000...1800.000s	0.005s	0.040s	Definite time operating delay. This setting is active and visible when DT is the selected delay type. When set to 0.000 s, the stage operates as instant stage without added delay. When the parameter is set to 0.005...1800 s, the stage operates as independent delayed.
Time dial setting k	0.01...60.00s	0.01s	0.05s	This setting is active and visible when IDMT is the selected delay type. Time dial/multiplier setting for IDMT characteristics.
IDMT Multiplier	0.01...25.00s	0.01s	1.00s	This setting is active and visible when IDMT is the selected delay type. IDMT time multiplier in the U_m/U_{set} power.

Table. 4.4.11 - 122. Setting parameters for reset time characteristics.

Name	Range	Step	Default	Description
Release time delay	0.000...150.000s	0.005s	0.06s	Resetting time. The time allowed between pick-ups if the pick-up has not led to a trip operation. During this time the START signal is held on for the timers if the delayed pick-up release is active.
Delayed pick-up release	1: No 2: Yes	-	2: Yes	Resetting characteristics selection, either time-delayed or instant after the pick-up element is released. If activated, the START signal is reset after a set release time delay.
Time calc reset after release time	1: No 2: Yes	-	2: Yes	Operating timer resetting characteristics selection. When activated, the operating time counter is reset after a set release time if the pick-up element is not activated during this time. When disabled, the operating time counter is reset directly after the pick-up element reset.
Continue time calculation during release time	1: No 2: Yes	-	1: No	Time calculation characteristics selection. If activated, the operating time counter continues until a set release time even when the pick-up element is reset.

The user can reset characteristics through the application. The default setting is a 60 ms delay; the time calculation is held during the release time.

In the release delay option the operating time counter calculates the operating time during the release. When using this option the function does not trip if the input signal is not re-activated while the release time count is on-going.

Events and registers

The undervoltage function (abbreviated "UV" in event block names) generates events and registers from the status changes in START, TRIP, and BLOCKED. The user can select which event messages are stored in the main event buffer: ON, OFF, or both. The function offers four (4) independent stages; the events are segregated for each stage operation.

The events triggered by the function are recorded with a time stamp and with process data values.

Table. 4.4.11 - 123. Event messages.

Event block name	Event names
UV1	Start ON
UV1	Start OFF
UV1	Trip ON
UV1	Trip OFF
UV1	Block ON
UV1	Block OFF
UV1	Undervoltage Block ON
UV1	Undervoltage Block OFF
UV2	Start ON
UV2	Start OFF
UV2	Trip ON
UV2	Trip OFF
UV2	Block ON
UV2	Block OFF
UV2	Undervoltage Block ON
UV2	Undervoltage Block OFF
UV3	Start ON
UV3	Start OFF
UV3	Trip ON
UV3	Trip OFF
UV3	Block ON
UV3	Block OFF

Event block name	Event names
UV3	Undervoltage Block ON
UV3	Undervoltage Block OFF
UV4	Start ON
UV4	Start OFF
UV4	Trip ON
UV4	Trip OFF
UV4	Block ON
UV4	Block OFF
UV4	Undervoltage Block ON
UV4	Undervoltage Block OFF

The function registers its operation into the last twelve (12) time-stamped registers; this information is available for all provided instances separately. The register of the function records the ON event process data for START, TRIP or BLOCKED. The table below presents the structure of the function's register content.

Table. 4.4.11 - 124. Register content.

Date and time	Event	Fault type	Pre-trigger voltage	Fault voltage	Pre-fault voltage	Trip time remaining	Used SG
dd.mm.yyyy hh:mm:ss.mss	Event name	A...A- B-C	Start/Trip -20ms voltage	Start/Trip voltage	Start -200ms voltage	0 ms...1800s	Setting group 1...8 active

4.4.12 Neutral overvoltage protection (U0>; 59N)

The neutral overvoltage function is used for non-directional instant and time-delayed earth fault protection. Each device with a voltage protection module has four (4) available stages of the function (U0>, U0>>, U0>>>, U0>>>>). The function constantly measures phase-to-earth voltage magnitudes and calculates the zero sequence component. Neutral overvoltage protection is scaled to line-to-line RMS level. When the line-to-line voltage of a system is 100 V in the secondary side, the earth fault is 100 % of the U_n and the calculated zero sequence voltage reaches $100/\sqrt{3} \text{ V} = 57.74 \text{ V}$.

Below is the formula for symmetric component calculation (and therefore to zero sequence voltage calculation).

$$U_0 = 1/3(U_{L1} + U_{L2} + U_{L3})$$

$$U_{L1...3} = \text{Line to neutral voltages}$$

Below are some examples of zero sequence calculation.

Figure. 4.4.12 - 83. Normal situation.

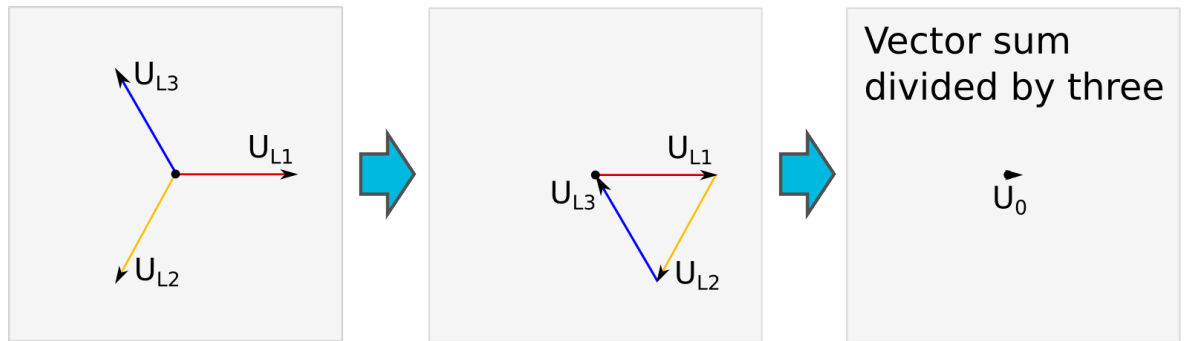


Figure. 4.4.12 - 84. Earth fault in isolated network.

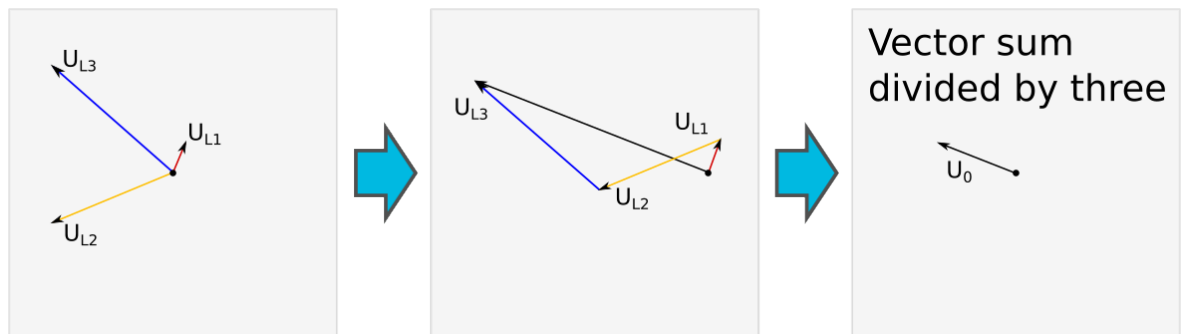
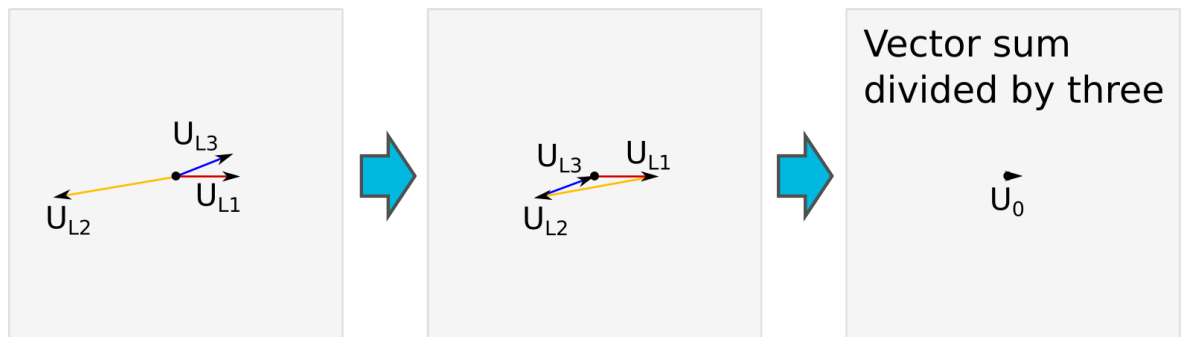


Figure. 4.4.12 - 85. Close-distance short-circuit between phases 1 and 3.



The monitored voltage magnitudes are equal to RMS values. The blocking signal and the setting group selection control the operating characteristics of the function during normal operation, i.e. the user or user-defined logic can change function parameters while the function is running.

The neutral overvoltage function uses a total of eight (8) separate setting groups which can be selected from one common source.

The function can operate on instant or time-delayed mode. In the time-delayed mode the operation can be selected for definite time (DT) or for inverse definite minimum time (IDMT); the IDMT operation supports both IEC and ANSI standard time delays as well as custom parameters.

The operational logic consists of the following:

- input magnitude selection
- input magnitude processing
- threshold comparator
- block signal check
- time delay characteristics

- output processing.

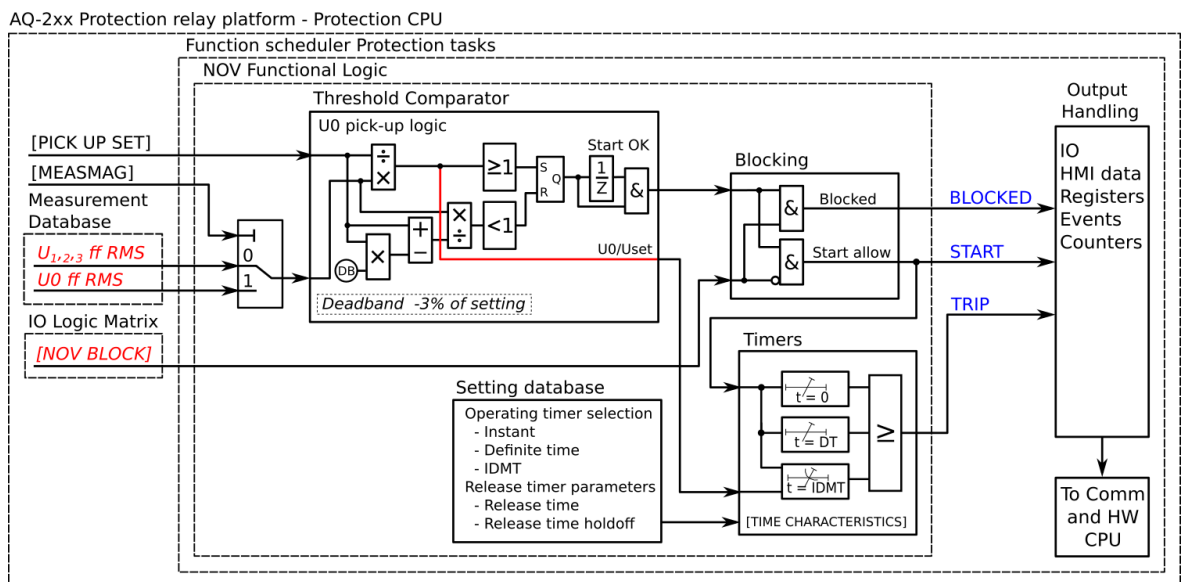
The inputs for the function are the following:

- operating mode selections
- setting parameters
- digital inputs and logic signals
- measured and pre-processed voltage magnitudes.

The function's outputs are START, TRIP and BLOCKED signals which can be used for direct I/O controlling and user logic programming. The function generates general time-stamped ON/OFF events to the common event buffer from each of the three (3) output signals. In the instant operating mode the function outputs START and TRIP events simultaneously with an equivalent time stamp. The time stamp resolution is 1 ms. The function also provides a cumulative counter for the START, TRIP and BLOCKED events.

The following figure presents a simplified function block diagram of the neutral overvoltage function.

Figure. 4.4.12 - 86. Simplified function block diagram of the U0> function.



Measured input

The function block uses analog voltage measurement values. The function block uses RMS values. A -20 ms averaged value of the selected magnitude is used for pre-fault data registering.

Table. 4.4.12 - 125. Measurement inputs of the U0> function.

Signal	Description	Time base
U0RMS	RMS measurement of voltage U0/V	5ms
UL1RMS	RMS measurement of voltage UL1/V	5ms
UL2RMS	RMS measurement of voltage UL2/V	5ms
UL3RMS	RMS measurement of voltage UL3/V	5ms

The selection of the AI channel currently in use is made with a setting parameter. In all possible input channel variations the pre-fault condition is presented with a 20 ms averaged history value from -20 ms from a START or TRIP event.

General settings

The following general settings define the general behavior of the function. These settings are static i.e. it is not possible to change them by editing the setting group.

Table. 4.4.12 - 126. General settings of the function.

Name	Range	Default	Description
U0> LN mode	1: On 2: Blocked 3: Test 4: Test/ Blocked 5: Off	0: On	Set mode of NOV block. This parameter is visible only when <i>Allow setting of individual LN mode</i> is enabled in <i>General</i> menu.
U0> force status to	0: Normal 1: Start 2: Trip 3: Blocked	0: Normal	Force the status of the function. Visible only when <i>Enable stage forcing</i> parameter is enabled in <i>General</i> menu.
U0> meas input select	1: Select 2: U0Calc 3: U3 Input 4: U4 Input	1: Select	Defines which available measured magnitude is used by the function. U0Calc calculates the voltage from phase voltages. Please note that U3 Input and U4 Input selections are available only if the channel has been set to U0 mode at <i>Measurements</i> → <i>Transformers</i> → <i>VT module</i> .

Pick-up

The U_{set} setting parameter controls the pick-up of the U0> function. This defines the maximum allowed measured voltage before action from the function. The function constantly calculates the ratio between the U_{set} and the measured magnitude (U_m) for neutral voltage. The reset ratio of 97 % is built into the function and is always relative to the U_{set} value. The setting value is common for all measured amplitudes, and when the U_m exceeds the U_{set} value it triggers the pick-up operation of the function.

Table. 4.4.12 - 127. Pick-up settings.

Name	Description	Range	Step	Default
Pick-up setting U0set>	Pick-up setting	1.00...99.00%U _n	0.01%U _n	20.00%U _n

The pick-up activation of the function is not directly equal to the START signal generation of the function. The START signal is allowed if the blocking condition is not active.

Read-only parameters

The relay's *Info* page displays useful, real-time information on the state of the protection function. It is accessed either through the relay's HMI display, or through the setting tool software when it is connected to the relay and its Live Edit mode is active.

Name	Range	Step	Description
U0> LN mode behaviour	1: On 2: Blocked 3: Test 4: Test/Blocked 5: Off	-	Displays the mode of NOV block. This parameter is visible only when <i>Allow setting of individual LN mode</i> is enabled in <i>General</i> menu.
U0> Measuring now	0: No U0 avail! 1: U0Calc 2: U3 Input 3: U4 Input	-	Displays which voltage channel is used by the function. If no voltage channel has been selected the function defaults to calculated residual voltage if line-to-neutral voltages have been connected to device. If no channel is set to "U0" mode and line-to-line voltages are connected, no residual voltage is available and "No U0 avail!" will be displayed.
U0> Pick-up setting	0.0...1 000 000.0V	0.1V	Primary voltage required for tripping. The displayed pick-up voltage level depends on the chosen U0 measurement input selection, on the pick-up settings and on the voltage transformer settings.
Expected operating time	0.000...1800.000s	0.005s	Displays the expected operating time when a fault occurs. When IDMT mode is used, the expected operating time depends on the measured voltage value. If the measured voltage changes during a fault, the expected operating time changes accordingly.
Time remaining to trip	-1800.000...1800.000s	0.005s	When the function has detected a fault and counts down time towards a trip, this displays how much time is left before tripping occurs.
U _{meas} /U _{set} at the moment	0.00...1250.00	0.01	The ratio between the measured or calculated neutral voltage and the pick-up value.

Function blocking

The block signal is checked in the beginning of each program cycle. The blocking signal is received from the blocking matrix in the function's dedicated input. If the blocking signal is not activated when the pick-up element activates, a START signal is generated and the function proceeds to the time characteristics calculation.

If the blocking signal is active when the pick-up element activates, a BLOCKED signal is generated and the function does not process the situation further. If the START function has been activated before the blocking signal, it resets and the release time characteristics are processed similarly to when the pick-up signal is reset.

The blocking of the function causes an HMI display event and a time-stamped blocking event with information of the startup voltage values and its fault type to be issued.

The variables the user can set are binary signals from the system. The blocking signal needs to reach the device minimum of 5 ms before the set operating delay has passed in order for the blocking to activate in time.

Operating time characteristics for trip and reset

The operating timers' behavior during a function can be set for TRIP signal and also for the release of the function in case the pick-up element is reset before the trip time has been reached. There are three basic operating modes available for the function:

- Instant operation: gives the TRIP signal with no additional time delay simultaneously with the START signal.
- Definite time operation (DT): gives the TRIP signal after a user-defined time delay regardless of the measured or calculated voltage as long as the voltage is above the U_{set} value and thus the pick-up element is active (independent time characteristics).
- Inverse definite minimum time (IDMT): gives the TRIP signal after a time which is in relation to the set pick-up voltage U_{set} and the measured voltage U_m (dependent time characteristics).

The IDMT function follows this formula:

$$t = \frac{k}{\left(\frac{U_m}{U_s}\right)^a - 1}$$

Where:

- t = operating time
- k = time dial setting
- U_m = measured voltage
- U_s = pick-up setting
- a = IDMT multiplier setting

The following table presents the setting parameters for the function's time characteristics.

Table. 4.4.12 - 128. Setting parameters for operating time characteristics.

Name	Range	Step	Default	Description
Delay type	1: DT 2: IDMT	-	1: DT	Selection of the delay type time counter. The selection possibilities are dependent (IDMT, Inverse Definite Minimum Time) and independent (DT, Definite Time) characteristics.
Definite operating time delay	0.000...1800.000s	0.005s	0.040s	Definite time operating delay. The setting is active and visible when DT is the selected delay type. When set to 0.000 s, the stage operates as instant without added delay. When the parameter is set to 0.005...1800 s, the stage operates as independent delayed.
Time dial setting k	0.01...60.00s	0.01s	0.05s	The setting is active and visible when IDMT is the selected delay type. Time dial/multiplier setting for IDMT characteristics.
IDMT Multiplier	0.01...25.00s	0.01s	1.00s	The setting is active and visible when IDMT is the selected delay type. IDMT time multiplier in the U_m/U_{set} power.

Table. 4.4.12 - 129. Setting parameters for reset time characteristics.

Name	Range	Step	Default	Description
Release time delay	0.000...150.000s	0.005s	0.06s	Resetting time. Time allowed between pick-ups if the pick-up has not led to a trip operation. During this time the START signal is held on for the timers if the delayed pick-up release is active.
Delayed pick-up release	1: No 2: Yes	-	2: Yes	Resetting characteristics selection either as time-delayed or as instant after the pick-up element is released. If activated, the START signal is reset after a set release time delay.
Time calc reset after release time	1: No 2: Yes	-	2: Yes	Operating timer resetting characteristics selection. When active, the operating time counter is reset after a set release time if the pick-up element is not activated during this time. When disabled, the operating time counter is reset directly after the pick-up element reset.
Continue time calculation during release time	1: No 2: Yes	-	1: No	Time calculation characteristics selection. If activated, the operating time counter continues until a set release time has passed even if the pick-up element is reset.

The user can reset characteristics through the application. The default setting is a 60 ms delay; the time calculation is held during the release time.

In the release delay option the operating time counter calculates the operating time during the release. When using this option the function does not trip if the input signal is not re-activated while the release time count is on-going.

Events and registers

The neutral overvoltage function (abbreviated "NOV" in event block names) generates events and registers from the status changes in START, TRIP, and BLOCKED. The user can select which event messages are stored in the main event buffer: ON, OFF, or both. The function offers four (4) independent stages; the events are segregated for each stage operation.

The events triggered by the function are recorded with a time stamp and with process data values.

Table. 4.4.12 - 130. Event messages.

Event block name	Event names
NOV1	Start ON
NOV1	Start OFF
NOV1	Trip ON
NOV1	Trip OFF
NOV1	Block ON
NOV1	Block OFF
NOV2	Start ON

Event block name	Event names
NOV2	Start OFF
NOV2	Trip ON
NOV2	Trip OFF
NOV2	Block ON
NOV2	Block OFF
NOV3	Start ON
NOV3	Start OFF
NOV3	Trip ON
NOV3	Trip OFF
NOV3	Block ON
NOV3	Block OFF
NOV4	Start ON
NOV4	Start OFF
NOV4	Trip ON
NOV4	Trip OFF
NOV4	Block ON
NOV4	Block OFF

The function registers its operation into the last twelve (12) time-stamped registers; this information is available for all provided instances separately. The register of the function records the ON event process data for START, TRIP or BLOCKED. The table below presents the structure of the function's register content.

Table. 4.4.12 - 131. Register content.

Date and time	Event	Fault type	Pre-trigger voltage	Fault voltage	Pre-fault voltage	Trip time remaining	Used SG
dd.mm.yyyy hh:mm:ss.mss	Event name	L1-G...L1-L2-L3	Start/Trip -20ms voltage	Start/ Trip voltage	Start -200ms voltage	0 ms...1800s	Setting group 1...8 active

4.4.13 Sequence voltage protection ($U1/U2 > / < ; 47/27P/59PN$)

The sequence voltage function is used for instant and time-delayed voltage protection. It has positive and negative sequence protection for both overvoltage and undervoltage (the user selects the needed function). Each device with a voltage protection module has four (4) available stages of the function. The function constantly measures the RMS value of phase-to-earth voltage magnitudes, or line-to-line and neutral voltage magnitudes to calculate the positive or negative sequence voltage. The user can select the voltage used. Sequence voltage is based on the system's line-to-line voltage level. Protection stages can be set to protect against both undervoltage and overvoltage. The blocking signal and the setting group selection control the operating characteristics of the function during normal operation, i.e. the user or user-defined logic can change function parameters while the function is running.

Positive sequence voltage calculation

Below is the formula for symmetric component calculation (and therefore to positive sequence voltage calculation).

$$U1 = \frac{1}{3} (U_{L1} + aU_{L2} + a^2U_{L3})$$

$$a = 1 \angle 120^\circ$$

$$a^2 = 1 \angle 240^\circ$$

$U_{L1...3}$ = Line to neutral voltages

In what follows are three examples of positive sequence calculation (positive sequence component vector).

Figure. 4.4.13 - 87. Normal situation.

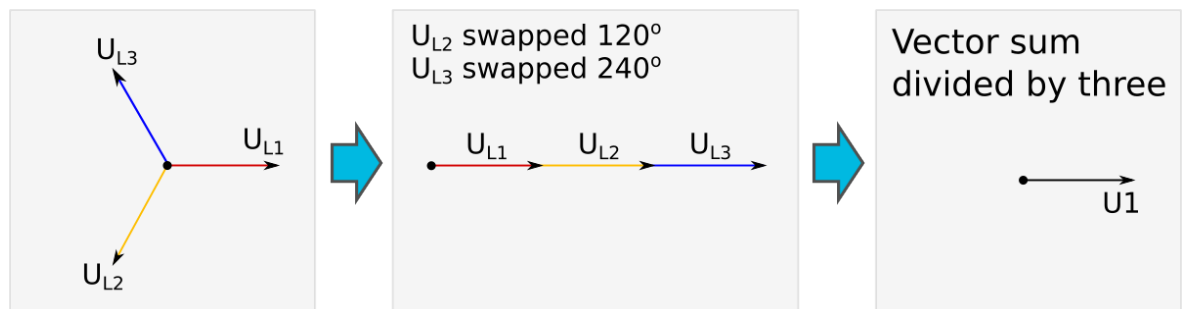


Figure. 4.4.13 - 88. Earth fault in an isolated network.

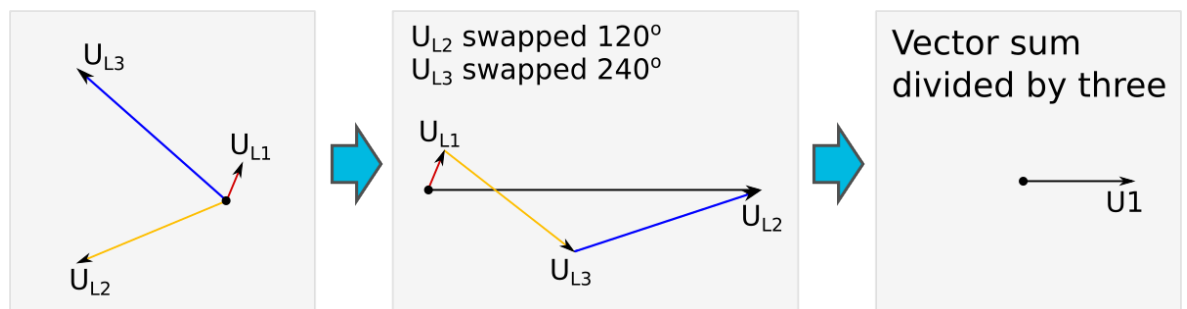
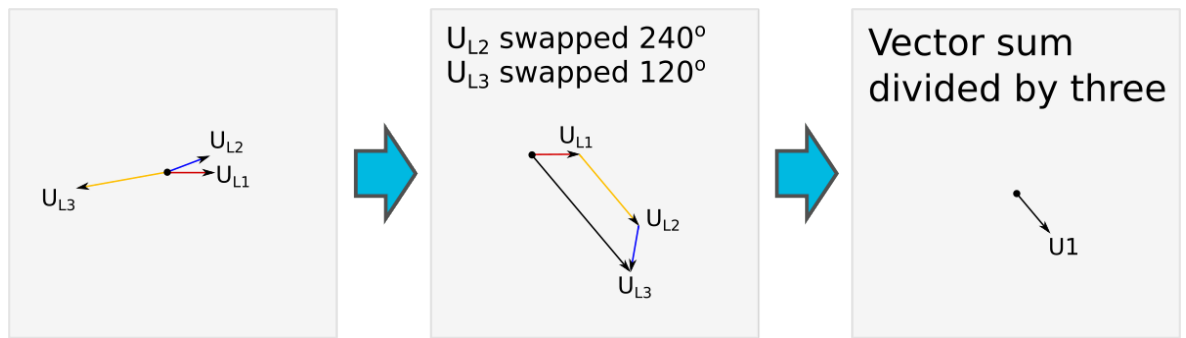


Figure. 4.4.13 - 89. Close-distance short-circuit between phases 1 and 3.



Negative sequence voltage calculation

Below is the formula for symmetric component calculation (and therefore to negative sequence voltage calculation).

$$U_2 = \frac{1}{3} (U_{L1} + a^2 U_{L2} + a U_{L3})$$

$$a = 1 \angle 120^\circ$$

$$a^2 = 1 \angle 240^\circ$$

$U_{L1...3}$ = Line to neutral voltages

In what follows are three examples of negative sequence calculation (negative sequence component vector).

Figure. 4.4.13 - 90. Normal situation.

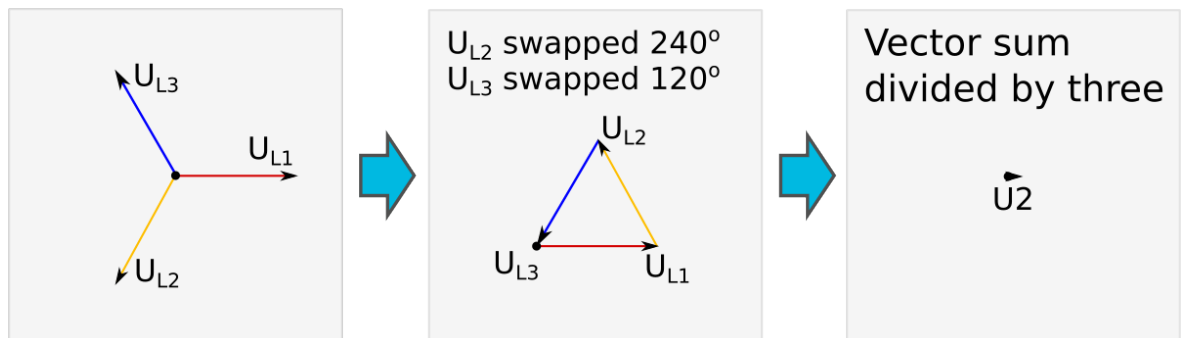


Figure. 4.4.13 - 91. Earth fault in isolated network.

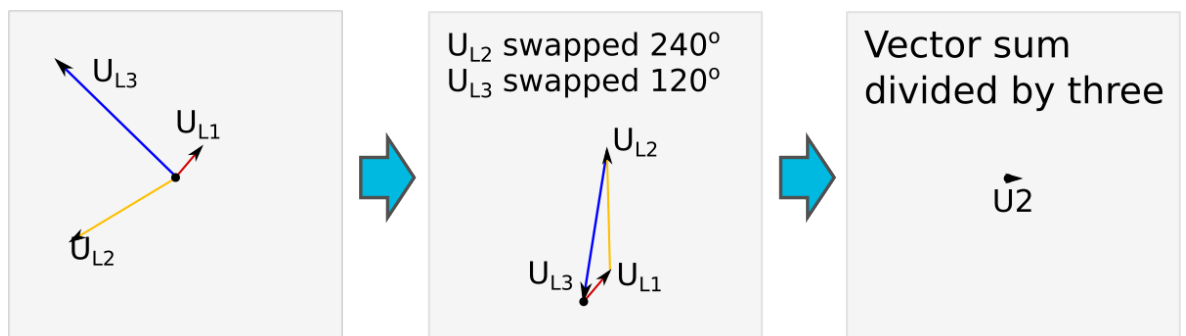
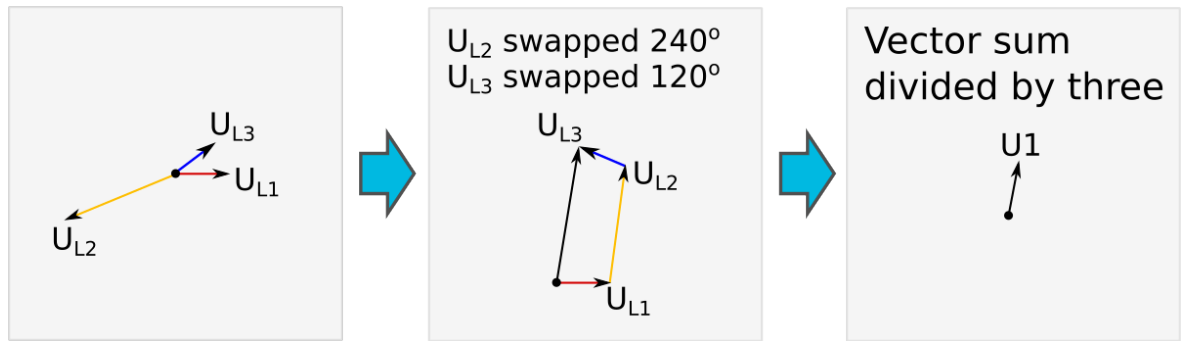


Figure. 4.4.13 - 92. Close-distance short-circuit between phases 1 and 3.



The sequence voltage function uses a total of eight (8) separate setting groups which can be selected from one common source.

The function can operate on instant or time-delayed mode. In time-delayed mode the operation can be selected between definite time (DT) mode and inverse definite minimum time (IDMT).

The operational logic consists of the following:

- input magnitude selection
- input magnitude processing
- threshold comparator
- block signal check
- time delay characteristics
- output processing.

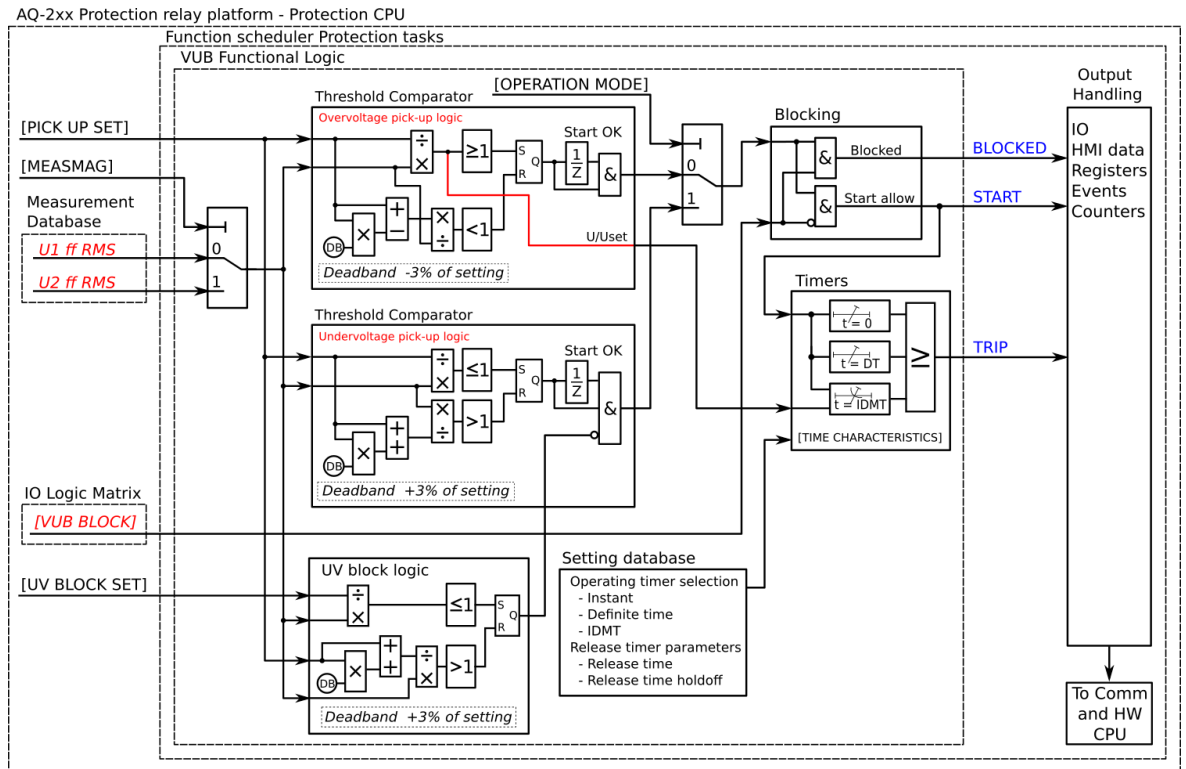
The inputs for the function are the following:

- operating mode selections
- setting parameters
- digital inputs and logic signals
- measured and pre-processed voltage magnitudes.

The function's outputs are START, TRIP and BLOCKED signals which can be used for direct I/O controlling and user logic programming. The function generates general time-stamped ON/OFF events to the common event buffer from each of the three (3) output signal. In the instant operating mode the function outputs START and TRIP events simultaneously with an equivalent time stamp. The time stamp resolution is 1 ms. The function also a resettable cumulative counter for the START, TRIP and BLOCKED events.

The following figure presents a simplified function block diagram of the sequence voltage function.

Figure. 4.4.13 - 93. Simplified function block diagram of the U1/U2>/< function.



Measured input

The function block uses analog voltage measurement values and always uses RMS values. A -20 ms averaged value of the selected magnitude is used for pre-fault data registering.

Table. 4.4.13 - 132. Measurement inputs of the U1/U2>/< function.

Signal	Description	Time base
U ₁ RMS	RMS measurement of voltage U ₁ /V	5ms
U ₂ RMS	RMS measurement of voltage U ₂ /V	5ms
U ₃ RMS	RMS measurement of voltage U ₃ /V	5ms

In RMS values the pre-fault condition is presented with 20 ms averaged history value from -20 ms of START or TRIP event.

General settings

The following general settings define the general behavior of the function. These settings are static i.e. it is not possible to change them by editing the setting group.

Table. 4.4.13 - 133. General settings of the function.

Name	Range	Default	Description
U1/2 >/< LN mode	1: On 2: Blocked 3: Test 4: Test/Blocked 5: Off	0: On	Set mode of VUB block. This parameter is visible only when <i>Allow setting of individual LN mode</i> is enabled in <i>General</i> menu.
U1/2 >/< force status to	0: Normal 1: Start 2: Trip 3: Blocked	0: Normal	Force the status of the function. Visible only when <i>Enable stage forcing</i> parameter is enabled in <i>General</i> menu.
Measured magnitude	1: U1 Positive sequence voltage 2: U2 Negative sequence voltage	1: U1 Positive sequence voltage	Selects which calculated voltage is supervised.

Pick-up

The U_{set} setting parameter controls the pick-up of the U1/U2>/< function. This defines the maximum or minimum allowed calculated U1 or U2 voltage before action from the function. The function constantly calculates the ratio between the U_{set} and the calculated U1 or U2 magnitude (U_C). The monitored voltage is chosen in the *Info* page with the parameter *Measured magnitude*. The reset ratio of 97 % in overvoltage applications is built into the function and is always relative to the U_{set} value. The reset ratio of 103 % in undervoltage applications is built into the function and is always relative to the U_{set} value. When the U_C goes above or below the U_{set} value it triggers the pick-up operation of the function.

Table. 4.4.13 - 134. Pick-up settings.

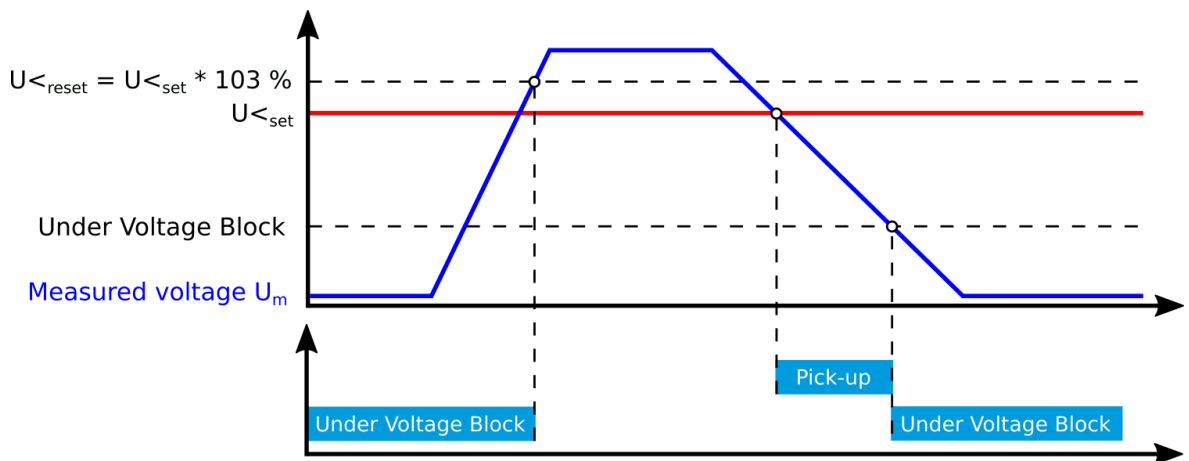
Name	Description	Range	Step	Default
Pick-up terms	Selects whether the function picks-up when the monitored voltage is under or over the set pick-up value.	Over > Under <	-	Over >
U_{set}	Pick-up setting	5.00...150.00% U_N	0.01% U_N	105% U_N
U_{blk}	Undervoltage blocking (visible when the pick-up term is Under <)	0.00...80.00% U_N	0.01% U_N	5% U_N

The pick-up activation of the function is not directly equal to the START signal generation of the function. The START signal is allowed if the blocking condition is not active.

Using *Block setting* to prevent nuisance trips

It is recommended to use the *Under block setting* U_{blk} parameter when Under < is the chosen tripping condition to prevent the relay from tripping in a situation where the network is de-energized. When the measured voltage drops below the set value, the relay does not give a tripping signal. If the measured voltage has dropped below the *Under block setting* U_{blk} parameter, the blocking continues until all of the line voltages have increased above the U< pick-up setting. Please see the image below for a visualization of this function. If the block level is set to zero (0), blocking is not in use.

Figure. 4.4.13 - 94. Example of the block setting operation.



Read-only parameters

The relay's *Info* page displays useful, real-time information on the state of the protection function. It is accessed either through the relay's HMI display, or through the setting tool software when it is connected to the relay and its Live Edit mode is active.

Table. 4.4.13 - 135. Information displayed by the function.

Name	Range	Step	Description
U1/2 >/< LN behaviour	1: On 2: Blocked 3: Test 4: Test/Blocked 5: Off	-	Displays the mode of VUB block. This parameter is visible only when <i>Allow setting of individual LN mode</i> is enabled in <i>General</i> menu.
U1/2 >/< Pick-up setting	0.0...1 000 000.0V	0.1V	The primary voltage required for tripping. The displayed pick-up voltage level depends on the pick-up setting and the voltage transformer settings.
Expected operating time	0.000...1800.000s	0.005s	Displays the expected operating time when a fault occurs. When IDMT mode is used, the expected operating time depends on the measured voltage value. If the measured voltage changes during a fault, the expected operating time changes accordingly.
Time remaining to trip	-1800.000...1800.000s	0.005s	When the function has detected a fault and counts down time towards a trip, this displays how much time is left before tripping occurs.
U_{meas}/U_{set} at the moment	0.00...1250.00 U_m/U_{set}	0.01 U_m/U_{set}	The ratio between the measured voltage and the pick-up value.

Function blocking

The block signal is checked in the beginning of each program cycle. The blocking signal is received from the blocking matrix in the function's dedicated input. If the blocking signal is not activated when the pick-up element activates, a START signal is generated and the function proceeds to the time characteristics calculation.

If the blocking signal is active when the pick-up element activates, a BLOCKED signal is generated and the function does not process the situation further. If the START function has been activated before the blocking signal, it resets and the release time characteristics are processed similarly to when the pick-up signal is reset.

The blocking of the function causes an HMI display event and a time-stamped blocking event with information of the startup voltage values and its fault type to be issued.

The variables the user can set are binary signals from the system. The blocking signal needs to reach the device minimum of 5 ms before the set operating delay has passed in order for the blocking to activate in time.

Operating time characteristics for trip and reset

The operating timers' behavior during a function can be set for TRIP signal and also for the release of the function in case the pick-up element is reset before the trip time has been reached. There are three basic operating modes available for the function:

- Instant operation: gives the TRIP signal with no additional time delay simultaneously with the START signal.
- Definite time operation (DT): gives the TRIP signal after a user-defined time delay regardless of the measured or calculated voltage as long as the voltage is above the U_{set} value and thus the pick-up element is active (independent time characteristics).
- Inverse definite minimum time (IDMT): gives the TRIP signal after a time which is in relation to the set pick-up voltage U_{set} and the measured voltage U_m (dependent time characteristics).

The IDMT function follows one of the following formulas:

$$\begin{array}{cc} \text{Overvoltage} & \text{Undervoltage} \\ t = \frac{k}{\left(\frac{U_m}{U_s}\right)^a - 1} & t = \frac{k}{1 - \left(\frac{U_m}{U_s}\right)^a} \end{array}$$

Where:

- t = operating time
- k = time dial setting
- U_m = measured voltage
- U_s = pick-up setting
- a = IDMT multiplier setting

The following table presents the setting parameters for the function's time characteristics.

Table. 4.4.13 - 136. Setting parameters for operating time characteristics.

Name	Range	Step	Default	Description
Delay type	1: DT 2: IDMT	-	1: DT	Selection of the delay type time counter. The selection possibilities are dependent (IDMT, Inverse Definite Minimum Time) and independent (DT, Definite Time) characteristics.
Definite operating time delay	0.000...1800.000s	0.005s	0.040s	Definite time operating delay. The setting is active and visible when DT is the selected delay type. When set to 0.000 s, the stage operates as instant without added delay. When the parameter is set to 0.005...1800 s, the stage operates as independent delayed.

Name	Range	Step	Default	Description
Time dial setting k	0.01...60.00s	0.01s	0.05s	The setting is active and visible when IDMT is the selected delay type. Time dial/multiplier setting for IDMT characteristics.
IDMT Multiplier	0.01...25.00s	0.01s	1.00s	The setting is active and visible when IDMT is the selected delay type. IDMT time multiplier in the U_m/U_{set} power.

Table. 4.4.13 - 137. Setting parameters for reset time characteristics.

Name	Range	Step	Default	Description
Release time delay	0.000...150.000s	0.005s	0.06s	Resetting time. Time allowed between pick-ups if the pick-up has not led to a trip operation. During this time the START signal is held on for the timers if the delayed pick-up release is active.
Delayed pick-up release	1: No 2: Yes	-	2: Yes	Resetting characteristics selection either as time-delayed or as instant after the pick-up element is released. If activated, the START signal is reset after a set release time delay.
Time calc reset after release time	1: No 2: Yes	-	2: Yes	Operating timer resetting characteristics selection. When active, the operating time counter is reset after a set release time if the pick-up element is not activated during this time. When disabled, the operating time counter is reset directly after the pick-up element reset.
Continue time calculation during release time	1: No 2: Yes	-	1: No	Time calculation characteristics selection. If activated, the operating time counter continues until a set release time has passed even if the pick-up element is reset.

The user can reset characteristics through the application. The default setting is a 60 ms delay; the time calculation is held during the release time.

In the release delay option the operating time counter calculates the operating time during the release. When using this option the function does not trip if the input signal is not re-activated while the release time count is on-going.

Events and registers

The sequence voltage function (abbreviated "VUB" in event block names) generates events and registers from the status changes in START, TRIP and BLOCKED. The user can select which event messages are stored in the main event buffer: ON, OFF, or both. The function offers four (4) independent stages; the events are segregated for each stage operation.

The events triggered by the function are recorded with a time stamp and with process data values.

Table. 4.4.13 - 138. Event messages.

Event block name	Event names
VUB1	Start ON

Event block name	Event names
VUB1	Start OFF
VUB1	Trip ON
VUB1	Trip OFF
VUB1	Block ON
VUB1	Block OFF
VUB2	Start ON
VUB2	Start OFF
VUB2	Trip ON
VUB2	Trip OFF
VUB2	Block ON
VUB2	Block OFF
VUB3	Start ON
VUB3	Start OFF
VUB3	Trip ON
VUB3	Trip OFF
VUB3	Block ON
VUB3	Block OFF
VUB4	Start ON
VUB4	Start OFF
VUB4	Trip ON
VUB4	Trip OFF
VUB4	Block ON
VUB4	Block OFF

The function registers its operation into the last twelve (12) time-stamped registers; this information is available for all provided instances separately. The register of the function records the ON event process data for START, TRIP or BLOCKED. The table below presents the structure of the function's register content.

Table. 4.4.13 - 139. Register content.

Date and time	Event	Pre-trigger voltage	Fault voltage	Pre-fault voltage	Trip time remaining	Used SG
dd.mm.yyyy hh:mm:ss.mss	Event name	Start/Trip -20ms voltage	Start/Trip voltage	Start -200ms voltage	0 ms...1800s	Setting group 1...8 active

4.4.14 Overfrequency and underfrequency protection ($f > / <$; 81O/81U)

The frequency protection function can be used both in overfrequency and in underfrequency situations, and it has four (4) stages for both. Frequency protection can be applied to protect feeder, bus, transformer, motor and generator applications. The difference between the generated power and the load demand can cause the frequency to drop below or rise above the allowed level. When the consumption is larger than the generated power, the frequency may drop. When more power is generated than is consumed, overfrequency can occur.

In generator applications too big a load or a malfunction in the power controller can cause the frequency to decrease. Underfrequency causes damage to turbine wings through vibration as well as heating due to increased iron losses, dropped cooling efficiency and over-magnetization in step-up transformers. Overfrequency protection prevents the generator from running too fast which can cause damage to the generator turbine.

Underfrequency and overfrequency protection can be used as an indicator of an accidental island operation in distributed generation and in some consumers (as it is unlikely that the consumed and generated power are the same). Overfrequency is also often used to control power generation to keep the system's frequency consistent.

Each stage can be activated and deactivated individually. After the $f > / <$ mode has been activated (*Protection* → *Stage activation* → *Frequency stages*), the user can activate and deactivate the individual stages at will (*Protection* → *Frequency* → *Frequency protection f > / <* → *INFO* → *Stage operational setup*).

The frequency protection function uses a total of eight (8) separate setting groups which can be selected from one common source.

The function can operate on instant or time-delayed mode.

The operational logic consists of the following:

- input magnitude processing
- threshold comparator
- block signal check
- time delay characteristics
- output processing.

The inputs for the function are the following:

- operating mode selections
- setting parameters
- digital inputs and logic signals
- measured and pre-processed frequency magnitudes.

The function's outputs are START, TRIP and BLOCKED signals which can be used for direct I/O controlling and user logic programming. The function generates general time-stamped ON/OFF events to the common event buffer from each of the three (3) output signal. In the instant operating mode the function outputs START and TRIP events simultaneously with an equivalent time stamp. The time stamp resolution is 1 ms. The function also provides a resettable cumulative counter for the START, TRIP and BLOCKED events.

The following figures present simplified function block diagrams of the frequency function.

Figure. 4.4.14 - 95. Simplified function block diagram of the $f >$ function.

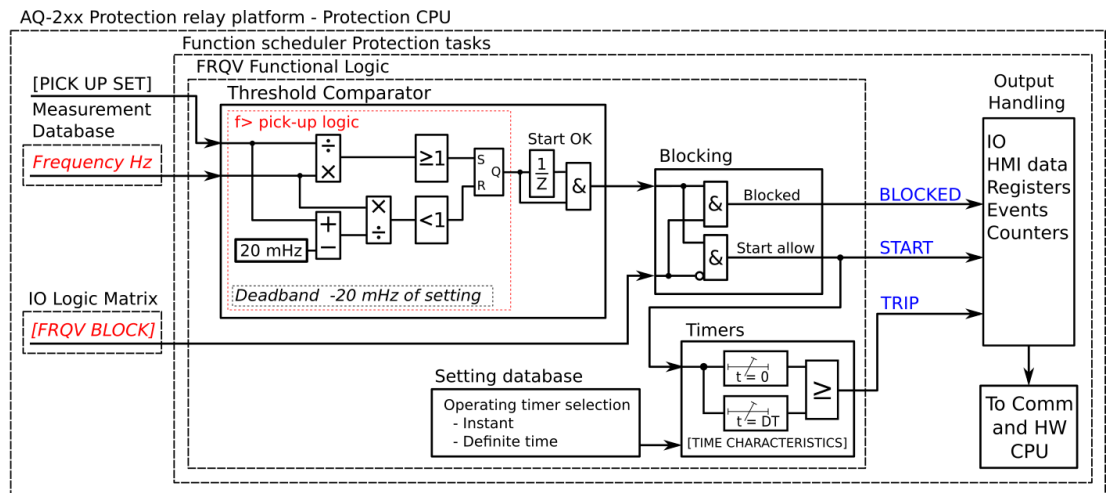
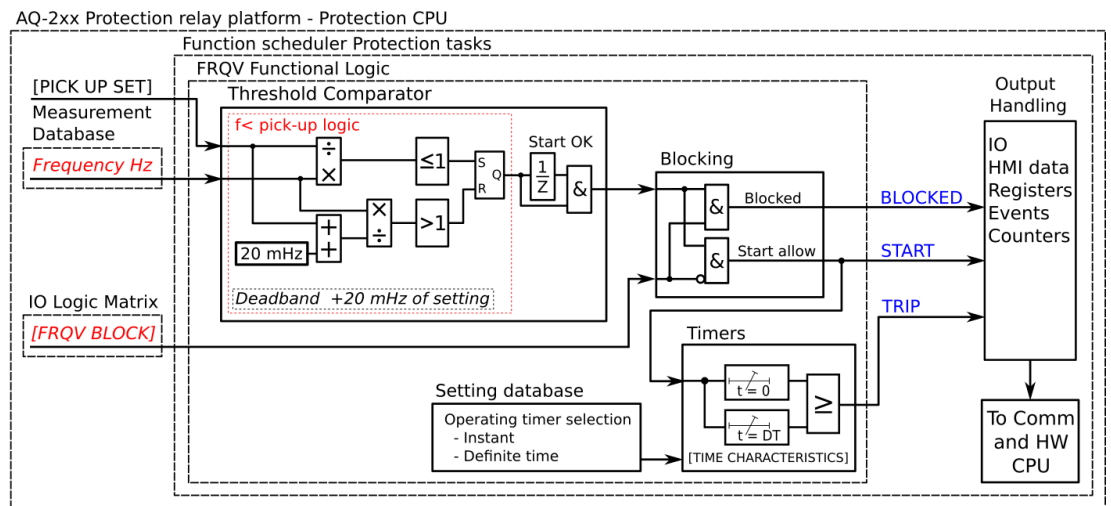


Figure. 4.4.14 - 96. Simplified function block diagram of the $f <$ function.



Measured input

The frequency protection function compares the measured frequency to the pick-up setting (given in Hz). The source of the measured frequency depends on the user-defined tracking reference which can be chosen from the *Frequency* tab of the *Measurement* menu.

Table. 4.4.14 - 140. Measurement inputs of the $f > / <$ function.

Signals	Description	Time base
VT1 U1, U2, U3	L-N voltages of the first voltage transformer	5ms
VT2 U1, U2, U3	L-N voltages of the second voltage transformer	5ms

General settings

The following general settings define the general behavior of the function. These settings are static i.e. it is not possible to change them by editing the setting group.

Table. 4.4.14 - 141. General settings of the function.

Name	Range	Default	Description
f</> LN mode	1: On 2: Blocked 3: Test 4: Test/Blocked 5: Off	0: On	Set mode of FRQV block. This parameter is visible only when <i>Allow setting of individual LN mode</i> is enabled in <i>General</i> menu.
f> enable f>> enable f>>> enable f>>>> enable f< enable f<< enable f<<< enable f<<<< enable	1: No 2: Yes	0: No	Enables or disables the stage.
f> force status to f>> force status to f>>> force status to f>>>> force status to f< force status to f<< force status to f<<< force status to f<<<< force status to	0: Normal 1: Start 2: Trip 3: Blocked	0: Normal	Force the status of the function. Visible only when <i>Enable stage forcing</i> parameter is enabled in <i>General</i> menu.

Pick-up and time delay

The $f_{set>}$, $f_{set>>}$, etc.setting parameters control the pick-up of each stage of the f>/< function. They define the maximum or minimum allowed measured frequency before action from the function. The function constantly calculates the ratio between the pick-up setting and the measured frequency. The reset ratio of 20mHz is built into the function and is always relative to the pick-up value.

Table. 4.4.14 - 142. Pick-up settings.

Name	Description	Range	Step	Default
f> used in setting group f>> used in setting group f>>> used in setting group f>>>> used in setting group f< used in setting group f<< used in setting group f<<< used in setting group f<<<< used in setting group	Enables or disables the protection stage in the setting group.	0: No 1: Yes	-	0: No
fset> fset>> fset>>> fset>>>>	Pick-up setting	10.00...80.00Hz	0.01Hz	51Hz
fset< fset<< fset<<< fset<<<<	Pick-up setting	5.00...75.00Hz	0.01Hz	49Hz
f> operating time f>> operating time f>>> operating time f>>>> operating time f< operating time f<< operating time f<<< operating time f<<<< operating time	Operation time	0.000...1800.00s	0.005s	0.1s

The pick-up activation of the function is not directly equal to the START signal generation of the function. The START signal is allowed if the blocking condition is not active.

Operating time characteristics for trip and reset

This function supports definite time delay (DT). For detailed information on these delay types please refer to the chapter "[General properties of a protection function](#)" and its section "[Operating time characteristics for trip and reset](#)".

Read-only parameters

The relay's *Info* page displays useful, real-time information on the state of the protection function. It is accessed either through the relay's HMI display, or through the setting tool software when it is connected to the relay and its Live Edit mode is active.

Table. 4.4.14 - 143. Information displayed by the function.

Name	Range	Step	Description
f</> LN behaviour	1: On 2: Blocked 3: Test 4: Test/Blocked 5: Off	-	Displays the mode of FRQV block. This parameter is visible only when <i>Allow setting of individual LN mode</i> is enabled in <i>General</i> menu.
f</> condition	0: Normal 1: Start 2: Trip 3: Blocked	-	Displays the status of the protection function.
f meas / f set	0.000...20.000f _m /f _{set}	0.001f _m /f _{set}	The ratio between the measured frequency and the pick-up value.
Expected operating time	0.000...1800.000s	0.005s	Displays the expected operating time when a fault occurs.
Time remaining to trip	-1800.000...1800.000s	0.005s	When the function has detected a fault and counts down time towards a trip, this displays how much time is left before tripping occurs.

Function blocking

The block signal is checked in the beginning of each program cycle. The blocking signal is received from the blocking matrix in the function's dedicated input. If the blocking signal is not activated when the pick-up element activates, a START signal is generated and the function proceeds to the time characteristics calculation.

If the blocking signal is active when the pick-up element activates, a BLOCKED signal is generated and the function does not process the situation further. If the START function has been activated before the blocking signal, it resets and the release time characteristics are processed similarly to when the pick-up signal is reset.

The blocking of the function causes an HMI display event and a time-stamped blocking event with information of the startup frequency values.

The variables the user can set are binary signals from the system. The blocking signal needs to reach the device minimum of 5 ms before the set operating delay has passed in order for the blocking to activate in time.

Events and registers

The frequency function (abbreviated "FRQV" in event block names) generates events and registers from the status changes in START, TRIP and BLOCKED. The user can select which event messages are stored in the main event buffer: ON, OFF, or both.

The events triggered by the function are recorded with a time stamp and with process data values.

Table. 4.4.14 - 144. Event messages.

Event block name	Event names
FRQV1	f> Start ON

Event block name	Event names
FRQV1	f> Start OFF
FRQV1	f> Trip ON
FRQV1	f> Trip OFF
FRQV1	f>> Start ON
FRQV1	f>> Start OFF
FRQV1	f>> Trip ON
FRQV1	f>> Trip OFF
FRQV1	f>>> Start ON
FRQV1	f>>> Start OFF
FRQV1	f>>> Trip ON
FRQV1	f>>> Trip OFF
FRQV1	f>>>> Start ON
FRQV1	f>>>> Start OFF
FRQV1	f>>>> Trip ON
FRQV1	f>>>> Trip OFF
FRQV1	f< Start ON
FRQV1	f< Start OFF
FRQV1	f< Trip ON
FRQV1	f< Trip OFF
FRQV1	f<< Start ON
FRQV1	f<< Start OFF
FRQV1	f<< Trip ON
FRQV1	f<< Trip OFF
FRQV1	f<<< Start ON
FRQV1	f<<< Start OFF
FRQV1	f<<< Trip ON
FRQV1	f<<< Trip OFF
FRQV1	f<<<< Start ON
FRQV1	f<<<< Start OFF
FRQV1	f<<<< Trip ON
FRQV1	f<<<< Trip OFF

Event block name	Event names
FRQV1	f> Block ON
FRQV1	f> Block OFF
FRQV1	f>> Block ON
FRQV1	f>> Block OFF
FRQV1	f>>> Block ON
FRQV1	f>>> Block OFF
FRQV1	f>>>> Block ON
FRQV1	f>>>> Block OFF
FRQV1	f< Block ON
FRQV1	f< Block OFF
FRQV1	f<< Block ON
FRQV1	f<< Block OFF
FRQV1	f<<< Block ON
FRQV1	f<<< Block OFF
FRQV1	f<<<< Block ON
FRQV1	f<<<< Block OFF

The function registers its operation into the last twelve (12) time-stamped registers. The table below presents the structure of the function's register content.

Table. 4.4.14 - 145. Register content.

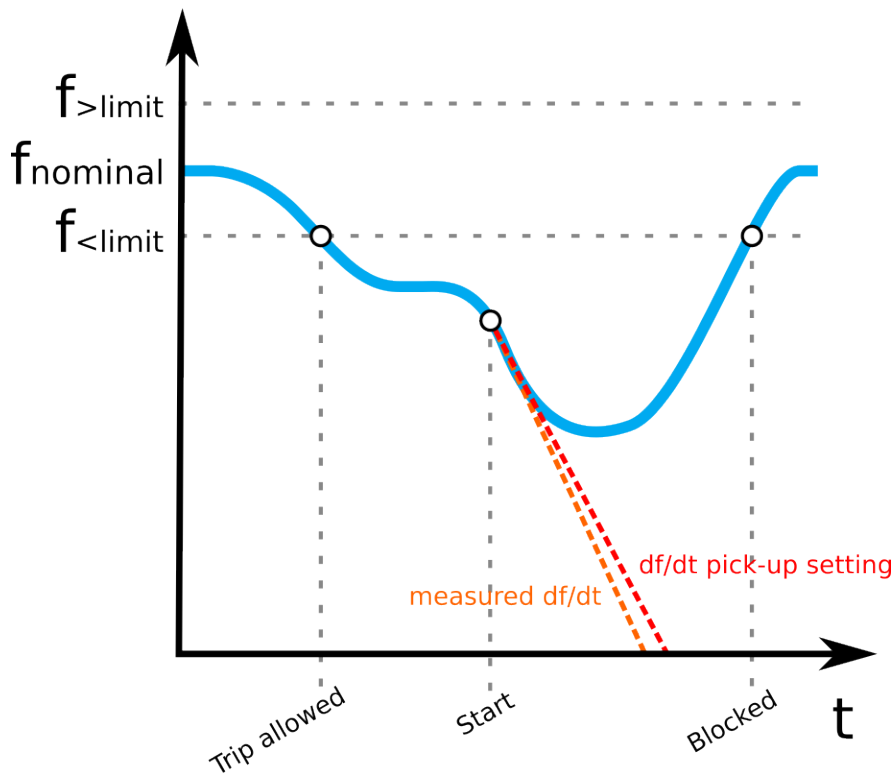
Date and time	Event	f Pre-trig (Hz)	f Fault (Hz)	Used SG
dd.mm.yyyy hh:mm:ss.mss	Event name	Start/Trip –20ms frequency	Fault frequency	Setting group 1...8 active

4.4.15 Rate-of-change of frequency (df/dt>/<; 81R)

The rate-of-change of frequency function is used to detect fast drops or increases in frequency. If the load changes fast this function detects and clears the frequency-based faults faster than conventional underfrequency and overfrequency protections. One of the most common causes for the frequency to deviate from its nominal value is an unbalance between the generated power and the load demand. If the unbalance is big the frequency changes rapidly.

The rate-of-change of frequency protection can also be applied to detect a loss of mains situation. Loss of mains is a situation where a part of the network (incorporating generation) loses its connection with the rest of the system (i.e. becomes an islanded network). A generator that is not disconnected from the network can cause safety hazards. A generator can also be automatically reconnected to the network, which can cause damage to the generator and the network.

Figure. 4.4.15 - 97. Operation of the $df/dt > / <$ function when the frequency starts but doesn't trip.



The figure above presents an example of the $df/dt > / <$ function's operation when the frequency is decreasing. If the $f <_{limit}$ and/or $f >_{limit}$ is activated, the function does not trip no matter how fast the measured frequency changes if it's over the $f <_{limit}$ or under $f >_{limit}$. As can be seen in the figure above, when the frequency decreases under the $f <_{limit}$, tripping is allowed although the change of frequency is not yet fast enough for the function to trip. Later the frequency makes a fast dip and as a result the change of frequency is faster than the set pick-up value which then causes the relay to operate.

Each stage can be activated and deactivated individually. After the $f > / <$ mode has been activated (*Protection → Stage activation → Frequency stages*), the user can activate and deactivate the individual stages at will (*Protection → Frequency → Frequency protection $f > / <$ → INFO → Stage operational setup*).

The frequency protection function uses a total of eight (8) separate setting groups which can be selected from one common source.

The function can operate on instant or time-delayed mode.

The operational logic consists of the following:

- input magnitude processing
- threshold comparator
- block signal check
- time delay characteristics
- output processing.

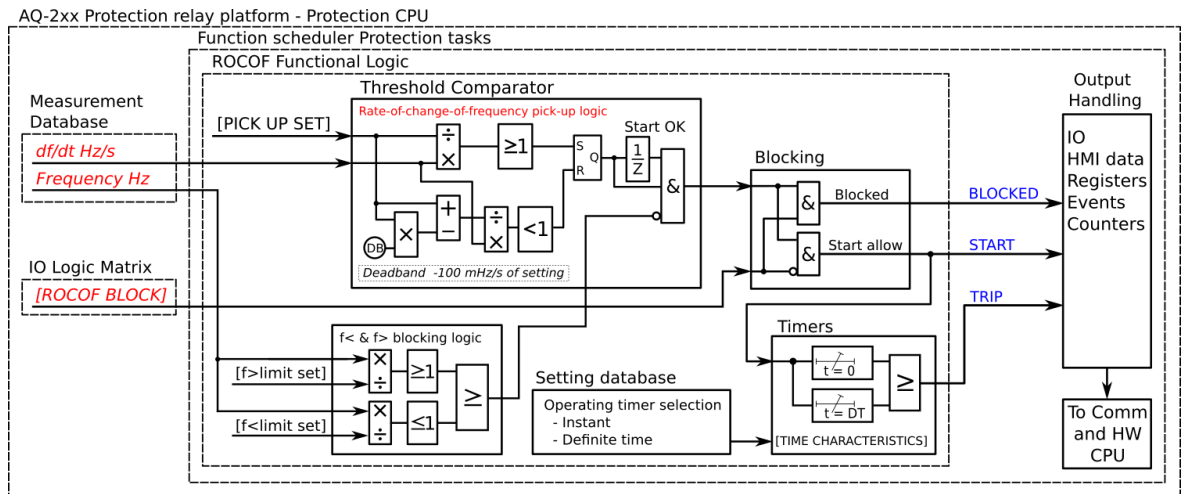
The inputs for the function are the following:

- operating mode selections
- setting parameters
- digital inputs and logic signals
- measured and pre-processed frequency magnitudes.

The function's outputs are START, TRIP and BLOCKED signals which can be used for direct I/O controlling and user logic programming. The function generates general time-stamped ON/OFF events to the common event buffer from each of the three (3) output signals. In the instant operating mode the function outputs START and TRIP events simultaneously with an equivalent time stamp. The time stamp resolution is 1 ms. The function also provides a resettable cumulative counter for the START, TRIP and BLOCKED events.

The following figure presents a simplified function block diagram of the $df/dt > / <$ function.

Figure. 4.4.15 - 98. Simplified function block diagram of the $df/dt > / <$ function.



Measured input

The rate-of-change of frequency protection function compares the measured $df/dt > / <$ ratio to the pick-up setting (given in Hz/s). The source of the measured frequency depends on the user-defined tracking reference which can be changed from the *Frequency* tab of the *Measurement* menu. There are three (3) frequency references available:

- Frequency reference 1: CT1IL1, CT2IL1, VT1U1, VT2U1
- Frequency reference 2: CT1IL2, CT2IL2, VT1U2, VT2U2
- Frequency reference 3: CT1IL3, CT2IL3, VT1U3, VT2U3.

Table. 4.4.15 - 146. Measurement inputs of the $df/dt > / <$ function.

Signals	Description	Time base
VT1 U1, U2, U3	L-N voltages of the first voltage transformer	5 ms
VT2 U1, U2, U3	L-N voltages of the second voltage transformer	5 ms

General settings

The following general settings define the general behavior of the function. These settings are static i.e. it is not possible to change them by editing the setting group.

Table. 4.4.15 - 147. General settings of the function.

Name	Range	Step	Default	Description
df/dt >/< LN mode	1: On 2: Blocked 3: Test 4: Test/Blocked 5: Off	-	0: On	Set mode of DFT block. This parameter is visible only when <i>Allow setting of individual LN mode</i> is enabled in <i>General</i> menu.
Max allowed df/dt rate	0.10...50.00Hz/s	0.10Hz/s	20Hz/s	If df/dt rate exceeds this setting, the function is blocked.
df/dt >/< (1...8) enable	1: No 2: Yes	-	1: No	Enables or disables the stage.
df/dt >/< (1...8) force status to	0: Normal 1: Start 2: Trip 3: Blocked	-	0: Normal	Force the status of the function. Visible only when <i>Enable stage forcing</i> parameter is enabled in <i>General</i> menu.

Pick-up and time delay

The df/dt >/< (1) pick-up, df/dt >/< (2) pick-up, etc. setting parameters control the pick-up of each stage of the df/dt >/< function. They define the maximum or minimum allowed change of frequency before action from the function. The function constantly calculates the ratio between the pick-up setting and the measured df/dt >/<. The reset ratio of +/- 100 mHz/s is built into the function and is always relative to the pick-up value. The f >/< limit value is used to block the function from operating near the nominal frequency.

Table. 4.4.15 - 148. Pick-up settings.

Name	Description	Range	Step	Default
df/dt >/< (1...8) used in setting group	Enables the protection stage in setting group.	0: No 1: Yes	-	0: No
df/dt >/< (1...8) operating mode	Defines the operation mode of the protection stage. In "Rising" mode df/dt function can trip only from increasing frequency. In "Falling" mode df/dt function can trip only from decreasing frequency. "Both" allows df/dt to trip from both.	0: Rising 1: Falling 2: Both	-	0: Rising
df/dt >/< (1...8) frequency limit	Displays if frequency limits are used or not.	0: Not used 1: Use f limit	-	0: Not used
df/dt >/< (1...8) pick-up	Pick-up setting.	0.01...10.00Hz/s	0.01Hz/s	0.2Hz/s
df/dt >/< (1...8) f < limit	Underfrequency limit. Tripping is permitted when measured frequency is under this value. This parameter is visible only when operation mode is set to "Falling" or "Both".	7.00...65.00Hz/s	0.01Hz/s	49.95Hz/s
df/dt >/< (1...8) f > limit	Overfrequency limit. Tripping is permitted if measured frequency is above this value. This parameter is visible only when operation mode is set to "Rising" or "Both".	10.00...70.00Hz/s	0.01Hz/s	51Hz/s

Name	Description	Range	Step	Default
df/dt >/< (1...8) operating time	Operation time delay.	0.000...1800.000s	0.005s	0.1s

The pick-up activation of the function is not directly equal to the START signal generation of the function. The START signal is allowed if the blocking condition is not active.

Operating time characteristics for trip and reset

This function supports definite time delay (DT). For detailed information on these delay types please refer to the chapter "[General properties of a protection function](#)" and its section "[Operating time characteristics for trip and reset](#)".

Read-only parameters

The relay's *Info* page displays useful, real-time information on the state of the protection function. It is accessed either through the relay's HMI display, or through the setting tool software when it is connected to the relay and its Live Edit mode is active.

Table. 4.4.15 - 149. Information displayed by the function.

Name	Range	Step	Description
df/dt >/< LN behaviour	1: On 2: Blocked 3: Test 4: Test/Blocked 5: Off	-	Displays the mode of DFT block. This parameter is visible only when <i>Allow setting of individual LN mode</i> is enabled in <i>General</i> menu.
Measured df/dt	0.000...20.000Hz/s	0.001Hz/s	Rate-of-change-of-frequency at the moment.
df/dt >/< (1...8) condition	0: Normal 1: Start 2: Trip 3: Blocked	-	Displays the status of the protection function.
df/dt >/< (1...8) df/dt meas / df/dt set	0.000...20.000p.u.	0.005p.u.	The ratio between the rate-of-change-of-frequency and the pick-up value.
Expected operating time	0.000...1800.000s	0.005s	Displays the expected operating time when a fault occurs.
Time remaining to trip	-1800.000...1800.000s	0.005s	When the function has detected a fault and counts down time towards a trip, this displays how much time is left before tripping occurs.

Function blocking

The block signal is checked in the beginning of each program cycle. The blocking signal is received from the blocking matrix in the function's dedicated input. If the blocking signal is not activated when the pick-up element activates, a START signal is generated and the function proceeds to the time characteristics calculation.

If the blocking signal is active when the pick-up element activates, a BLOCKED signal is generated and the function does not process the situation further. If the START function has been activated before the blocking signal, it resets and the release time characteristics are processed similarly to when the pick-up signal is reset.

The blocking of the function causes an HMI display event and a time-stamped blocking event with information of the startup frequency values.

The variables the user can set are binary signals from the system. The blocking signal needs to reach the device minimum of 5 ms before the set operating delay has passed in order for the blocking to activate in time.

Events and registers

The rate-of-change of frequency function (abbreviated "DFT" in event block names) generates events and registers from the status changes in START, TRIP and BLOCKED. The user can select which event messages are stored in the main event buffer: ON, OFF, or both.

The events triggered by the function are recorded with a time stamp and with process data values.

Table. 4.4.15 - 150. Event messages.

Event block name	Event names
DFT1	df/dt>/< (1) Start ON
DFT1	df/dt>/< (1) Start OFF
DFT1	df/dt>/< (1) Trip ON
DFT1	df/dt>/< (1) Trip OFF
DFT1	df/dt>/< (2) Start ON
DFT1	df/dt>/< (2) Start OFF
DFT1	df/dt>/< (2) Trip ON
DFT1	df/dt>/< (2) Trip OFF
DFT1	df/dt>/< (3) Start ON
DFT1	df/dt>/< (3) Start OFF
DFT1	df/dt>/< (3) Trip ON
DFT1	df/dt>/< (3) Trip OFF
DFT1	df/dt>/< (4) Start ON
DFT1	df/dt>/< (4) Start OFF
DFT1	df/dt>/< (4) Trip ON
DFT1	df/dt>/< (4) Trip OFF
DFT1	df/dt>/< (5) Start ON
DFT1	df/dt>/< (5) Start OFF
DFT1	df/dt>/< (5) Trip ON

Event block name	Event names
DFT1	df/dt>/< (5) Trip OFF
DFT1	df/dt>/< (6) Start ON
DFT1	df/dt>/< (6) Start OFF
DFT1	df/dt>/< (6) Trip ON
DFT1	df/dt>/< (6) Trip OFF
DFT1	df/dt>/< (7) Start ON
DFT1	df/dt>/< (7) Start OFF
DFT1	df/dt>/< (7) Trip ON
DFT1	df/dt>/< (7) Trip OFF
DFT1	df/dt>/< (8) Start ON
DFT1	df/dt>/< (8) Start OFF
DFT1	df/dt>/< (8) Trip ON
DFT1	df/dt>/< (8) Trip OFF
DFT1	df/dt>/< (1) Block ON
DFT1	df/dt>/< (1) Block OFF
DFT1	df/dt>/< (2) Block ON
DFT1	df/dt>/< (2) Block OFF
DFT1	df/dt>/< (3) Block ON
DFT1	df/dt>/< (3) Block OFF
DFT1	df/dt>/< (4) Block ON
DFT1	df/dt>/< (4) Block OFF
DFT1	df/dt>/< (5) Block ON
DFT1	df/dt>/< (5) Block OFF
DFT1	df/dt>/< (6) Block ON
DFT1	df/dt>/< (6) Block OFF
DFT1	df/dt>/< (7) Block ON
DFT1	df/dt>/< (7) Block OFF
DFT1	df/dt>/< (8) Block ON
DFT1	df/dt>/< (8) Block OFF

The function registers its operation into the last twelve (12) time-stamped registers. The table below presents the structure of the function's register content.

Table. 4.4.15 - 151. Register content.

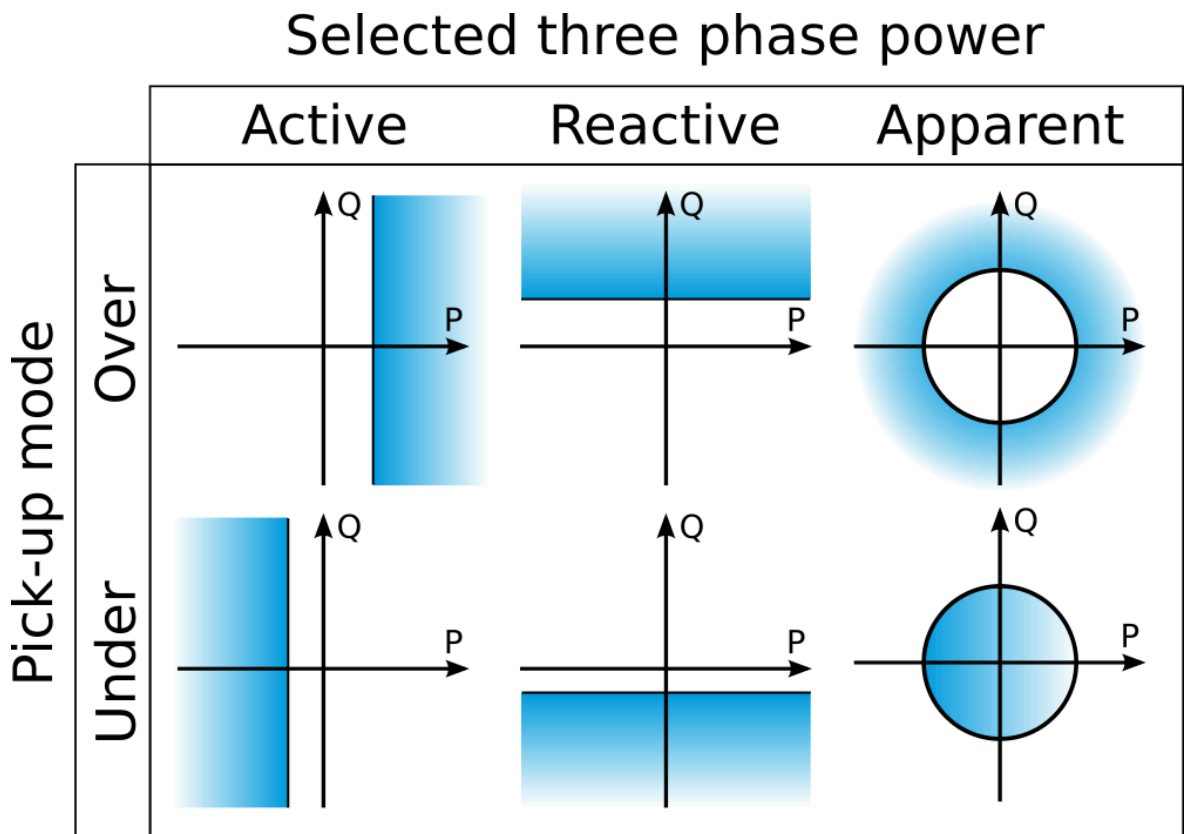
Date and time	Event	df/dt>/< Pre-trig (Hz/s)	f Pre-trig (Hz)	df/dt>/< Fault (Hz/s)	f Fault (Hz)	Used SG
dd.mm.yyyy hh:mm:ss.mss	Event name	Start/Trip -20ms df/dt>/<	Start/Trip -20ms frequency	Fault df/ dt>/<	Fault frequency	Setting groups 1...8 active

4.4.16 Power protection (P, Q, S)>/<; 32)

The power protection function is for instant and time-delayed, three-phase overpower or underpower protection (active, reactive, or apparent). The user can select the operating mode with parameter settings.

The figure below presents the pick-up areas of the function's different modes, displayed in a PQ diagram.

Figure. 4.4.16 - 99. PQ diagram of the pick-up areas in various modes.



The power protection function uses a total of eight (8) separate setting groups which can be selected from one common source.

The function can operate on instant or time-delayed mode.

The operational logic consists of the following:

- input magnitude selection
- input magnitude processing
- threshold comparator
- two block signal checks

- time delay characteristics
- output processing.

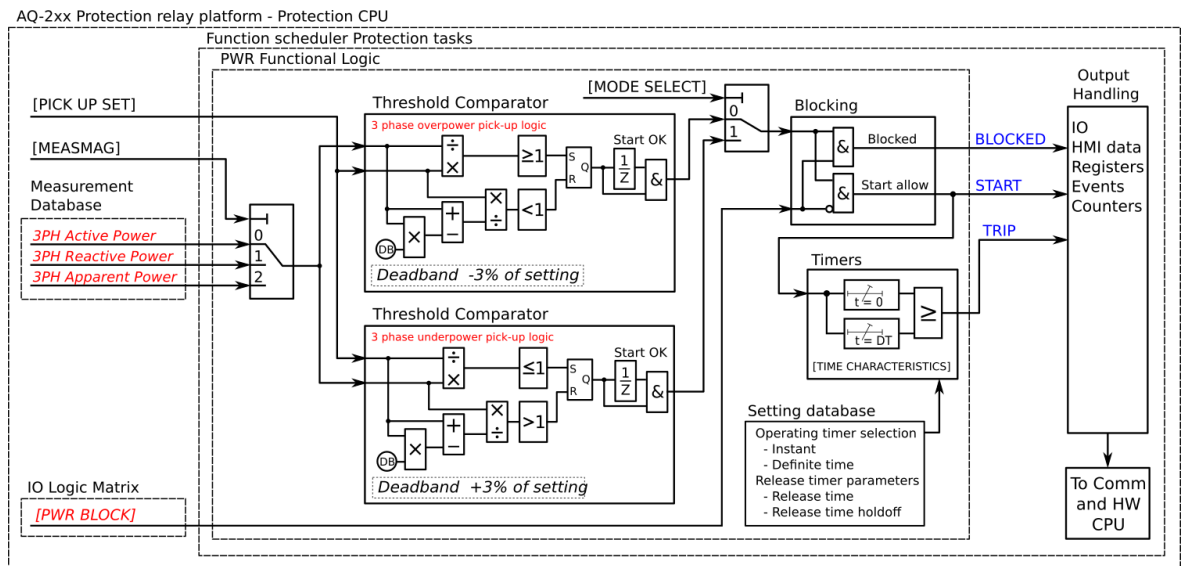
The inputs for the function are the following:

- operating mode selections
- setting parameters
- digital inputs and logic signals
- measured and pre-processed power magnitudes.

The function's outputs are START, TRIP and BLOCKED signals which can be used for direct I/O controlling and user logic programming. The function generates general time-stamped ON/OFF events to the common event buffer from each of the three (3) output signals. In the instant operating mode the function outputs START and TRIP events simultaneously with an equivalent time stamp. The time stamp resolution is 1 ms. The function also a resettable cumulative counter for the START, TRIP and BLOCKED events.

The following figure presents a simplified function block diagram of the power protection function.

Figure. 4.4.16 - 100. Simplified function block diagram of the power protection function.



Measured input

The function block uses three-phase power values (active, reactive, or apparent). A -20 ms averaged value is used for pre-fault data registering. The used power measurement value depends on user input. If the protection relay has more than one CT module, the *Measured side* parameter determines which current measurement is used for power measurement.

Table. 4.4.16 - 152. Measurement inputs of the power protection function.

Signal	Description	Time base
3PH active power (P)	Total three-phase active power	5ms
3PH reactive power (Q)	Total three-phase reactive power	5ms
3PH apparent power	Total three-phase apparent power	5ms

General settings

The following general settings define the general behavior of the function. These settings are static i.e. it is not possible to change them by editing the setting group.

Table. 4.4.16 - 153. General settings of the function.

Name	Range	Default	Description
PQS>/< LN mode	1: On 2: Blocked 3: Test 4: Test/Blocked 5: Off	0: On	Set mode of PWR block. This parameter is visible only when <i>Allow setting of individual LN mode</i> is enabled in <i>General</i> menu.
PQS>/< force status to	0: Normal 1: Start 2: Trip 3: Blocked	0: Normal	Force the status of the function. Visible only when <i>Enable stage forcing</i> parameter is enabled in <i>General</i> menu.

Pick-up

The PQS>/< setting parameter controls the pick-up of the power protection function. This defines the maximum or minimum allowed measured three-phase power (active, reactive, or apparent) before action from the function. The function constantly calculates the ratio between the PQS>/< and the measured power magnitude. The reset ratios of 97 % (pick-up mode "Over") and 103 % (pick-up mode "Under") are built into the function and is always relative to the pick-up value.

Table. 4.4.16 - 154. Pick-up settings.

Name	Description	Range	Step	Default
Measured magnitude	Defines which three phase power is used: Active, reactive or apparent power.	0: P3PH 1: Q3PH 2: S3PH	-	0: P3PH
Nominal MVA reference	Defines whether the used nominal power is set manually or if transformer or generator status monitoring function defines the nominal power automatically.	0: Set manually 1: Use Gen nom MVA 2: Use Trafo nom MVA	-	0: Set manually
Set nominal MVA	Nominal MVA used by the function. This parameter is visible only when "Nominal MVA reference" parameter is set to "Set manually"	0.0001...1000.0000MVA	0.0001MVA	10MVA
Pick-up mode	Defines whether the function operates in underpower or overpower protection mode.	0: > Over 1: < Under	-	0: Over
Pick-up	Pick-up setting. Related to the nominal power set by the user.	-500.000...500.000%	0.005%	0%

The pick-up activation of the function is not directly equal to the START signal generation of the function. The START signal is allowed if the blocking condition is not active.

Read-only parameters

The relay's *Info* page displays useful, real-time information on the state of the protection function. It is accessed either through the relay's HMI display, or through the setting tool software when it is connected to the relay and its Live Edit mode is active.

Table. 4.4.16 - 155. Information displayed by the function.

Name	Range	Step	Description
PQS>/< LN behaviour	1: On 2: Blocked 3: Test 4: Test/Blocked 5: Off	-	Displays the mode of PWR block. This parameter is visible only when <i>Allow setting of individual LN mode</i> is enabled in <i>General</i> menu.
PQS>/< condition	0: Normal 1: Start 2: Trip 3: Blocked	-	Displays the status of the protection function.
Nominal MVA used	0.000...1800.000MVA	0.001MVA	Displays the nominal power used by the function. This parameter is displayed if "Nominal MVA reference" parameter has been set to "Use Gen nom MVA" or "Use Trafo nom MVA".
Pick-up setting	-1800.000...1800.000MVA	0.001MVA	Pick-up setting used at the moment by the function. Value of this parameter can change if setting group has been changed.
Measurement now	-1800.000...1800.000MVA	0.001MVA	Measured active, reactive or apparent power at the moment.
Meas/Set at the moment	-1250.00...1250.00p.u.	0.01p.u.	Ratio between the measured power and pick-up setting.
Meas/Nom at the moment	-1250.00...1250.00p.u.	0.01p.u.	Ratio between the measured power and used nominal power value.
Expected operating time	0.000...1800.000s	0.005s	Displays the expected operating time when a fault occurs.
Time remaining to trip	-1800.000...1800.000s	0.005s	When the function has detected a fault and counts down time towards a trip, this displays how much time is left before tripping occurs.

Function blocking

The block signal is checked in the beginning of each program cycle. The blocking signal is received from the blocking matrix in the function's dedicated input. If the blocking signal is not activated when the pick-up element activates, a START signal is generated and the function proceeds to the time characteristics calculation.

If the blocking signal is active when the pick-up element activates, a BLOCKED signal is generated and the function does not process the situation further. If the START function has been activated before the blocking signal, it resets and the release time characteristics are processed similarly to when the pick-up signal is reset.

The blocking of the function causes an HMI display event and a time-stamped blocking event with information of the startup voltage values and its fault type to be issued.

The variables the user can set are binary signals from the system. The blocking signal needs to reach the device minimum of 5 ms before the set operating delay has passed in order for the blocking to activate in time.

Operating time characteristics for trip and reset

This function supports definite time delay (DT). For detailed information on these delay types please refer to the chapter "[General properties of a protection function](#)" and its section "[Operating time characteristics for trip and reset](#)".

Events and registers

The power protection function (abbreviated "PWR" in event block names) generates events and registers from the status changes in START, TRIP and BLOCKED. The user can select which event messages are stored in the main event buffer: ON, OFF, or both. The function offers four (4) independent stages; the events are segregated for each stage operation.

The events triggered by the function are recorded with a time stamp and with process data values.

Table. 4.4.16 - 156. Event messages.

Event block name	Event names
PWR1	Start ON
PWR1	Start OFF
PWR1	Trip ON
PWR1	Trip OFF
PWR1	Block ON
PWR1	Block OFF
PWR2	Start ON
PWR2	Start OFF
PWR2	Trip ON
PWR2	Trip OFF
PWR2	Block ON
PWR2	Block OFF
PWR3	Start ON
PWR3	Start OFF
PWR3	Trip ON
PWR3	Trip OFF
PWR3	Block ON
PWR3	Block OFF
PWR4	Start ON

Event block name	Event names
PWR4	Start OFF
PWR4	Trip ON
PWR4	Trip OFF
PWR4	Block ON
PWR4	Block OFF

The function registers its operation into the last twelve (12) time-stamped registers. The register of the function records the ON event process data for START, TRIP or BLOCKED. The table below presents the structure of the function's register content.

Table. 4.4.16 - 157. Register content.

Date and time	Event	Pre-trigger power	Fault power	Pre-fault power	Trip time remaining	Used SG
dd.mm.yyyy hh:mm:ss.mss	Event name	Start/Trip -20ms power	Start/Trip -20ms power	Start -200ms power	0 ms...1800s	Setting group 1...8 active

4.4.17 Motor status monitoring

The motor status monitoring function is designed to be the one place where the user can set up all necessary motor data and select the used motor protection functions. Settings related to the protection functions can also be edited inside each function and any changes are updated into this function as well. In addition to the motor data settings, this function counts the number of times the motor starts, the number of times the motor start has succeeded, and the number of times the motor has been stopped. The function also keeps track of the running time and the starting time. Additionally, the function has a cumulative counter that tells the overall time the motor has been stopped, and it shows the last time the motor was stopped.

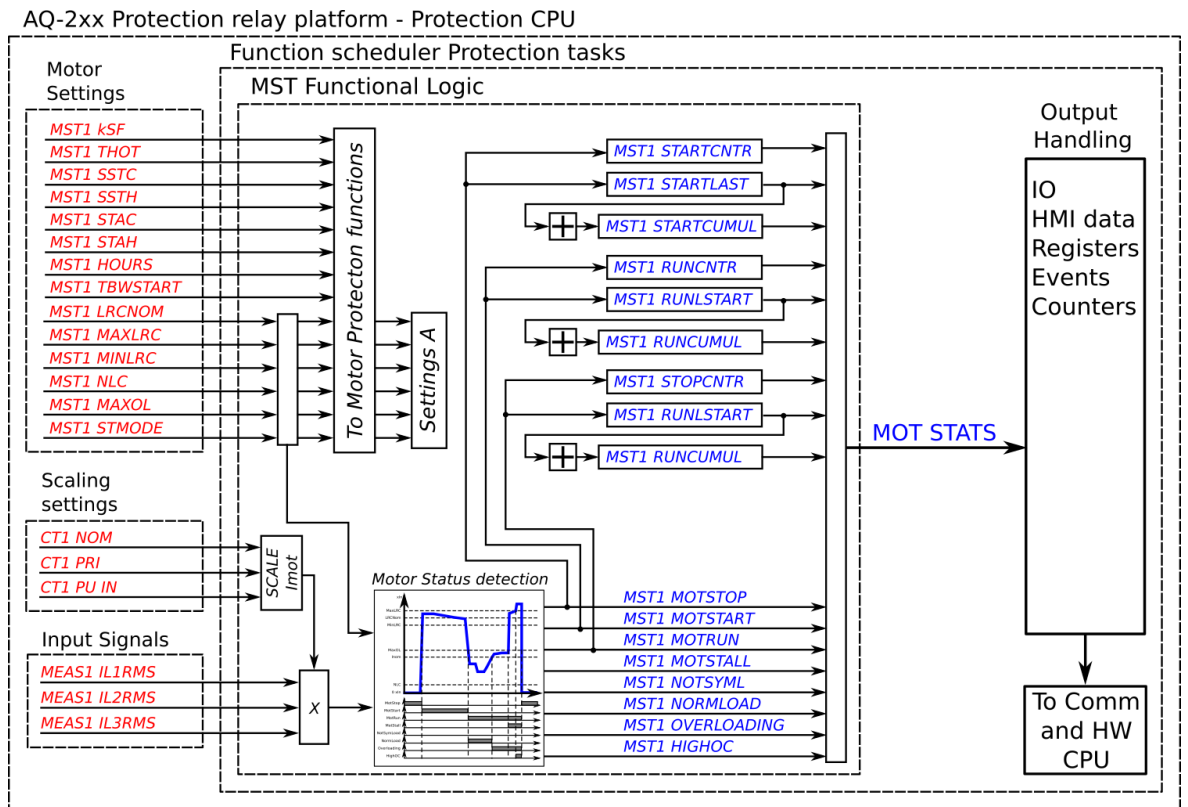
The outputs for the function are the following:

- motor stopped
- motor starting
- motor running
- motor stalled
- missing phase
- load normal
- overloading
- high overcurrent signals.

The signals can be used in indication or in application logics. They are also the basis of the events the function generates (if so chosen).

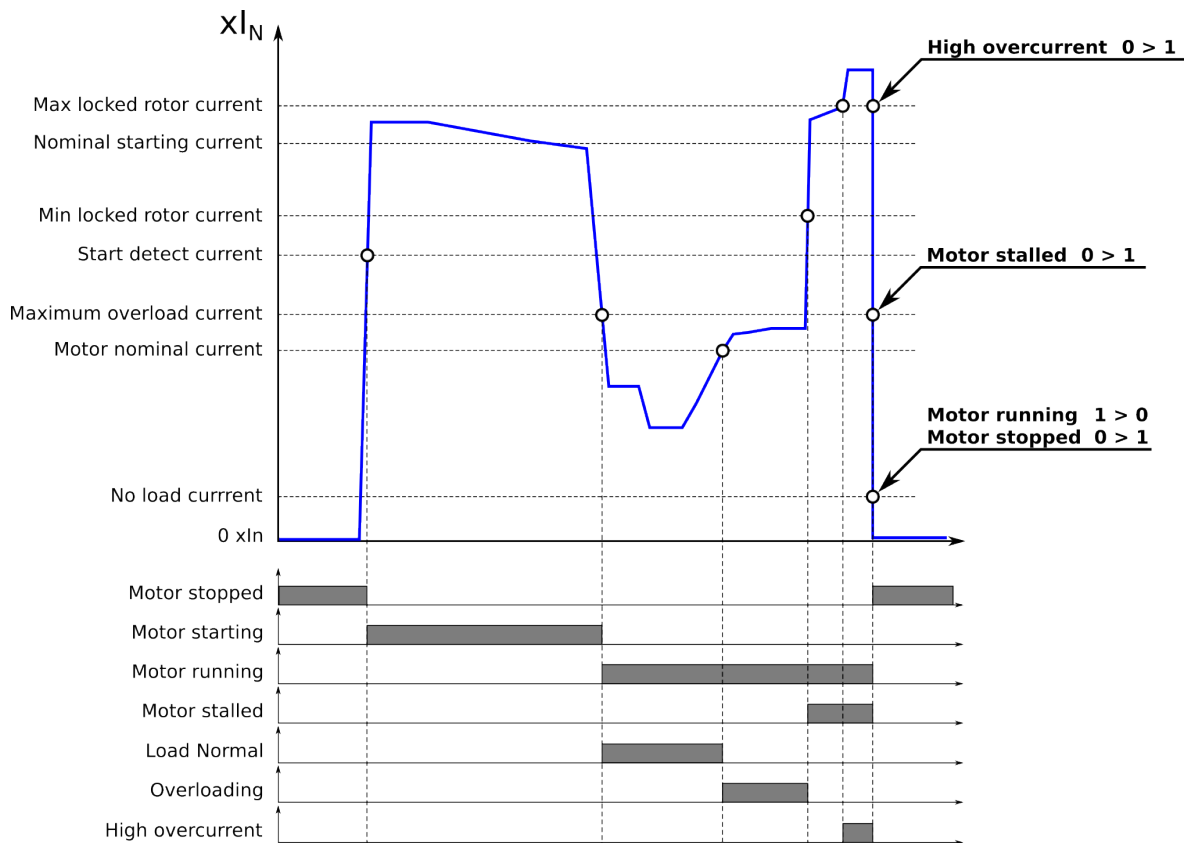
The following figure presents a simplified function block diagram of the motor status monitoring function.

Figure. 4.4.17 - 101. Simplified function block diagram of the motor status monitoring function.



The function's outputs are dependent on the motor data the user has set. The following two diagram present the function's outputs in various situations.

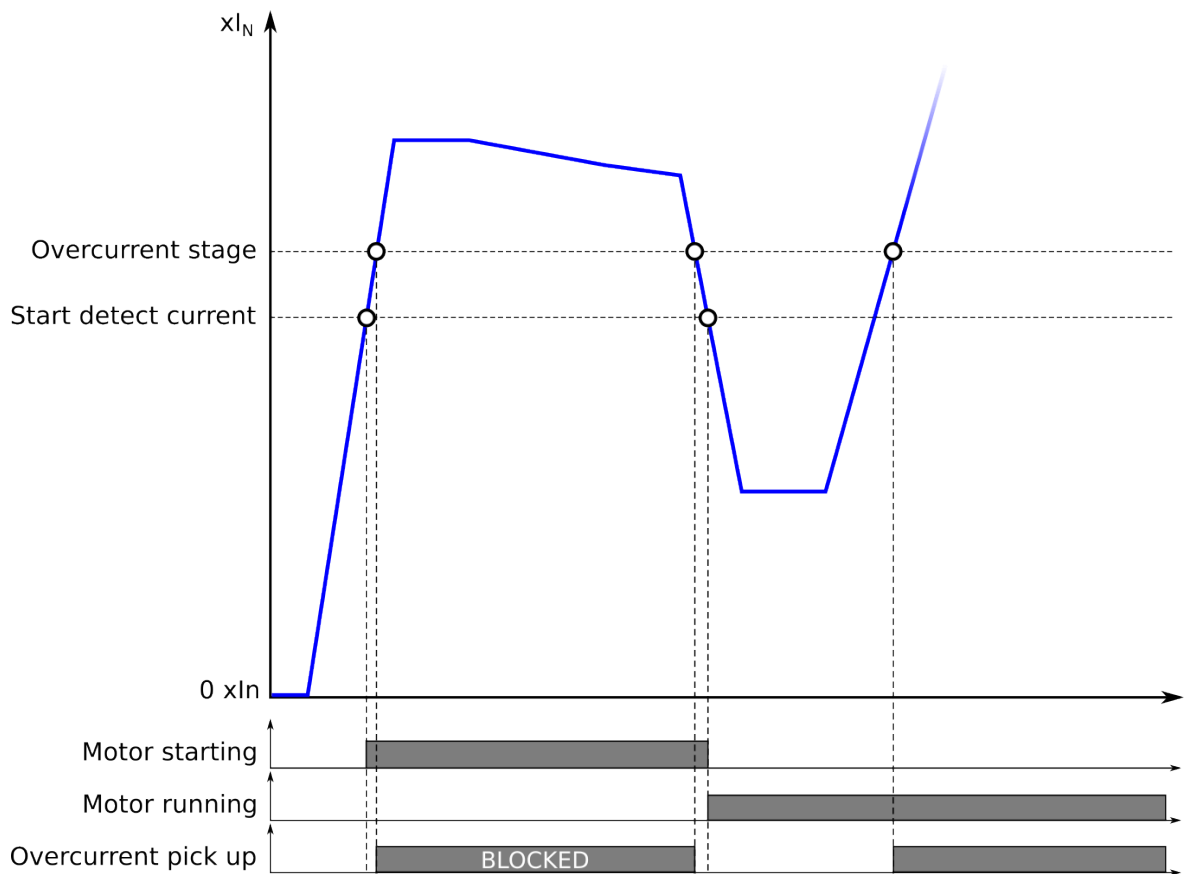
Figure. 4.4.17 - 102. Activation of the function's outputs.



The **Motor stopped** signal is activated when the current is below the “No load current” limit for longer than 10 ms. When the current increases from this status to above the “Start detect current” setting, a start of the motor is detected and the **Motor starting** signal is activated. If the current stays below the “Max locked rotor current” setting, the start-up situation continues. When the current decreases below the “Maximum overload current” setting, the start situation is considered to be over and the motor running, resulting in the activation of the **Motor running** signal. When the measured current is between the “No load current” and the “Motor nominal current” (including the service factor and the ambient temperature factor), the load is considered to be normal, activating the **Load Normal** signal. If the current then starts rising, and exceeds the “Motor nominal current” setting but does not exceed the “Maximum overload current” setting, the **Overloading** signal is activated. If the current does exceed the “Maximum overload current” setting, the **Motor stalled** signal is activated. If the current exceeds the “Max locked rotor current” setting, the **High overcurrent** signal is activated. When the measured current decreases below the “No load current” setting, the **Motor stopped** signal is activated again. The **Missing phase** signal is activated only if one of the phases is lost during **Motor starting** or **Motor running** and the measured current in that phase is reduced below the “No load current” setting.

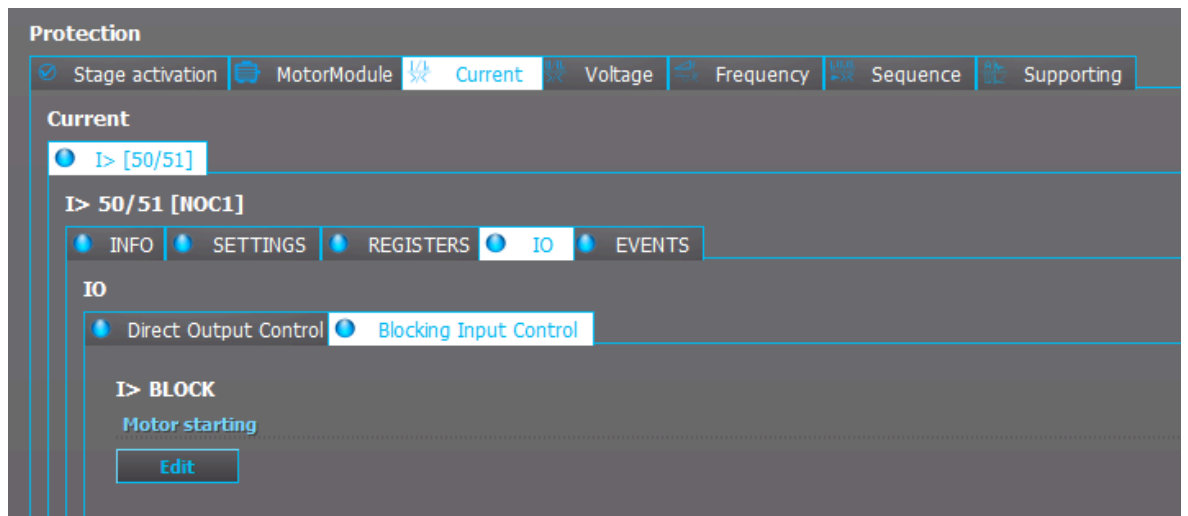
These motor status signals can be used in the motor protection scheme to block overcurrent stages, to change setting groups, and to release blockings (e.g if something happens during start-up).

Figure. 4.4.17 - 103. Example of application: motor starting scheme and using motor status signals.



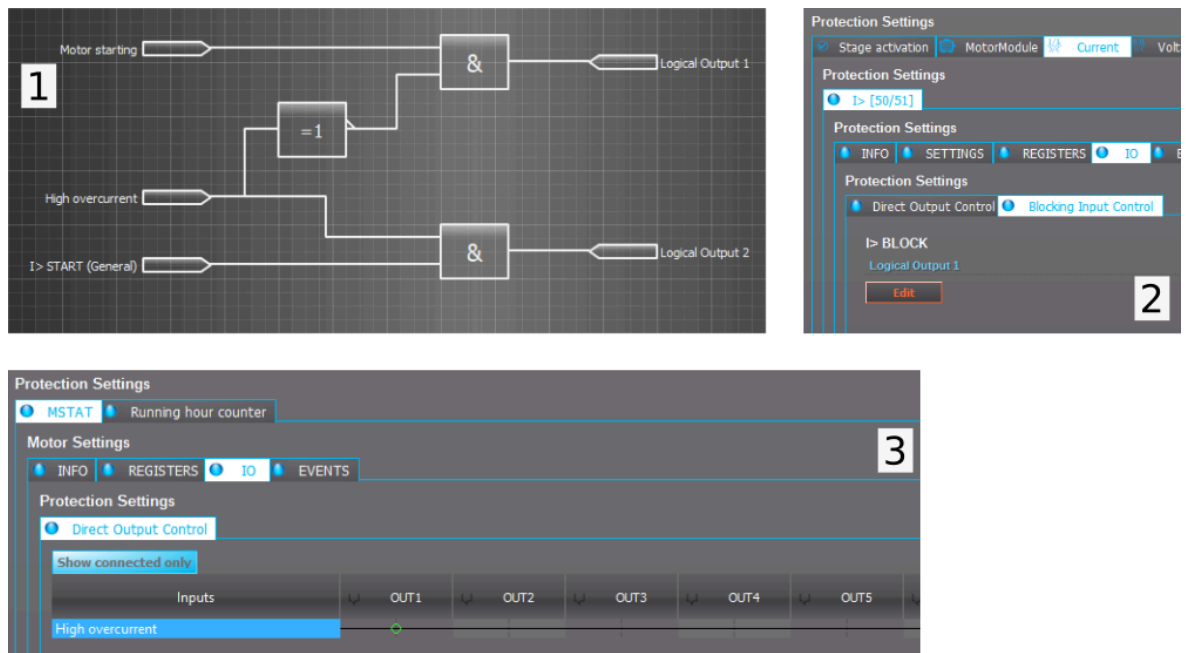
When a motor is starting, an overcurrent stage with a low pick-up setting is either blocked or –as in some relays– the setting value is multiplied by a prescribed factor. This prevents the protection stage from activating and the motor from starting, especially when the low-set overcurrent stage has an operating time that is shorter than the start-up time of the protected motor. The figure above presents how the **START** signals behave during a motor start-up. Also note that the *Motor starting* signal can be used to block the overcurrent stage.

Figure. 4.4.17 - 104. Blocking application in the relay configuration.



In the example above, problems may arise if, during the start-up of a motor, a short-circuit fault occurs while the overcurrent stage is blocked. This may make the fault clearing take longer as the relay still considers the situation part of starting. In this case the following logic can be used to prevent prolonging of the fault clearing time during the start-up of the motor. The main benefit of this logic is that there is no need to spend another protection stage for short-circuit faults: the one stage that is set below the starting current of the motor can also be used for short-circuits and overcurrent faults. See below for a more detailed description of the logic in question.

Figure. 4.4.17 - 105. Motor start up overcurrent control logic.



Picture 1 (upper left). During a start-up, the MST1_MOTSTART signal is connected to the LOGIC_OUT1 signal with an AND gate, and to the MST1_HIGHOC signal (the function's high overcurrent detection) with a NOT gate. The overcurrent (I>) stage is blocked when a motor starts, but the blocking is released if a high overcurrent is detected during the start-up process. The user can choose to combine the high overcurrent detection with the NOC1_START signal with an AND gate, and use the LOGIC_OUT2 signal (for example) to change the active setting group of the I> function to operate instantly.

Picture 2 (upper right). The LOGIC_OUT1 signal is connected to the I> blocking input (NOC1, first stage overcurrent) function to block the stage in motor start-ups.

Picture 3 (bottom). The high overcurrent detection signal can also be directly connected to the output relay. This way there is no need for extra logics for fault clearing control which makes fault clearing very fast.

Alternatively, the user can release the tripping of the I> stage by letting the overcurrent function operate on its set timer settings when a high overcurrent is detected. However, this requires that the motor start detection current is set below the overcurrent stage.

Settings and signals

The settings of the motor status monitoring function are mostly shared with other motor protection functions in the device's motor module. The following table shows these other functions that also use these settings.

Table. 4.4.17 - 158. Settings of the motor status monitoring function and how they are shared by other protection functions.

Name	Range	Step	Default	Protection functions	Description
MST LN mode	1: On 2: Blocked 3: Test 4: Test/ Blocked 5: Off	-	1: On	-	Set mode of MST block. This parameter is visible only when <i>Allow setting of individual LN mode</i> is enabled in <i>General</i> menu.
MST LN behaviour	1: On 2: Blocked 3: Test 4: Test/ Blocked 5: Off	-	-	-	Displays the mode of MST block. This parameter is visible only when <i>Allow setting of individual LN mode</i> is enabled in <i>General</i> menu.
MST force status to	0: NoForce 1: MotStop 2: MotStart 3: MotRun 4: MotStall 5: LoadNotSym 6: NormLoad 7: Overload 8: HighOverload	-	0: Normal	-	Force the status of the function. Visible only when <i>Enable stage forcing</i> parameter is enabled in <i>General</i> menu.
Motor Start	0: DOL 1: Star-Delta 2: Soft start	-	0: DOL	- Motor status monitoring - Motor start monitoring (Ist>; 48)	The motor starting mode selection. The user can select between Direct On Line (DOL), Star-Delta and Soft start in future releases.
Motor In Scaled	0.1...40.0xI _n	0.1xI _n	-	- Motor status monitoring - Machine thermal overload protection (Tm>; 49M) - Motor start monitoring (Ist>; 48) - Undercurrent (I<; 37) - Load jam protection (Im>; 51M)	The motor's nominal current scaled to per unit. If the user selects <i>Object In</i> in the CT settings, this value should be 1.00. If scaled to the CT nominal, this value may vary.

Name	Range	Step	Default	Protection functions	Description
Motor In A	0.1...5000 A	0.1 A	-	- Motor status monitoring - Machine thermal overload protection (Tm>; 49M) - Motor start monitoring (Ist>; 48) - Undercurrent (I<; 37) - Load jam protection (Im>; 51M)	The motor's nominal current in amperes.
Nominal starting current	0.1...40.0xI _N	0.1xI _N	6.0xI _N	- Motor status monitoring - Machine thermal overload protection (Tm>; 49M) - Motor start monitoring (Ist>; 48) - Load jam protection (Im>; 51M)	The motor's locked rotor current with the nominal voltage. This setting is used for automatic curve selection and calculation. Also, the nominal starting capacity calculation is based on this value.
Nominal starting current A	0.1...5000A	0.1A	-	- Motor status monitoring - Machine thermal overload protection (Tm>; 49M) - Motor start monitoring (Ist>; 48) - Load jam protection (Im>; 51M)	The motor's locked rotor current in amperes.
Start detect current	0.1...40.0xI _N	0.1xI _N	1.5xI _N	- Motor status monitoring - Motor start monitoring (Ist>; 48)	The motor starting current detection limit. When in DOL or Star-Delta mode, this setting defines the motor starting moment when the measured current exceeds both the no-load current limit and the start detect current limit within a ten-millisecond period. If the current increases slower, it is not defined as a motor start.
Start detect current A	0.1...5000A	0.1A	-	- Motor status monitoring - Motor start monitoring (Ist>; 48)	The motor's starting current detection limit in amperes.

Name	Range	Step	Default	Protection functions	Description
Min locked rotor current	0.1...40.0xI _N	0.1xI _N	3.5xI _N	- Motor status monitoring - Machine thermal overload protection (T _m >; 49M) - Motor start monitoring (I _{st} >; 48) - Load jam protection (I _m >; 51M)	The motor's minimum locked rotor current. This setting defines the current limit for when this current is exceeded while the automatic curve selection and the control only short time constant (stall) are in use.
Min locked rotor current A	0.1...5000A	0.1A	-	- Motor status monitoring - Machine thermal overload protection (T _m >; 49M) - Motor start monitoring (I _{st} >; 48) - Load jam protection (I _m >; 51M)	The motor's minimum locked rotor current. This setting defines the current limit for when this current is exceeded while the automatic curve selection and the control only short time constant (stall) are in use.
Max locked rotor current	0.1...40.0xI _N	0.1xI _N	7.5xI _N	- Motor status monitoring - Machine thermal overload protection (T _m >; 49M) - Motor start monitoring (I _{st} >; 48) - Load jam protection (I _m >; 51M)	Maximum locked rotor current of the motor. This setting defines the current limit which is maximum current for the motor to draw in locked rotor situation (starting or stalled). If the measured current exceeds this setting limit it is considered to be overcurrent fault and corresponding measures can be applied to disconnect the feeder and motor from the supply.
Max locked rotor current A	0.1...5000A	0.1A	-	- Motor status monitoring - Machine thermal overload protection (T _m >; 49M) - Motor start monitoring (I _{st} >; 48) - Load jam protection (I _m >; 51M)	The maximum locked rotor current in amperes.

Name	Range	Step	Default	Protection functions	Description
Max overload current	0.1...40.0xI _N	0.1xI _N	2.0xI _N	- Motor status monitoring - Machine thermal overload protection (T _m >; 49M) - Motor start monitoring (I _{st} >; 48) - Load jam protection (I _m >; 51M)	The motor's maximum overload current. Exceeding this setting stalls the motor. This setting defines when the thermal replica switches to the short (stall) time constant. As long as the current stays below this setting value, the motor should run even when overloaded.
Max overload current A	0.1...5000A	0.1A	-	- Motor status monitoring - Machine thermal overload protection (T _m >; 49M) - Motor start monitoring (I _{st} >; 48) - Load jam protection (I _m >; 51M)	The motor's maximum overload current in amperes.
No load current <	0.1...40.0xI _N	0.1xI _N	0.2xI _N	- Motor status monitoring - Machine thermal overload protection (T _m >; 49M) - Undercurrent (I<; 37)	The motor's no load current. This setting defines the "Stopped" condition when the current is below this setting value. Also, when the current is below this value, the undercurrent protection stage is locked.
No load current < A	0.1...5000A	0.1A	-	- Motor status monitoring - Machine thermal overload protection (T _m >; 49M) - Undercurrent (I<; 37)	The motor's no load current in amperes.

Name	Range	Step	Default	Protection functions	Description
Motor service factor	0.01...5.00xI _n	0.01xI _n	1.00xI _n	<ul style="list-style-type: none"> - Motor status monitoring - Machine thermal overload protection (Tm>; 49M) 	Service factor which corrects the maximum allowed loading according to various conditions (e.g. installation, construction, etc.) which vary from the presumption conditions. Frequently motors are stamped to a service factor of 1.15: this means that they can withstand a continuous 15% overloading from the rated current (as this is not necessary in all conditions, it is recommended to consult the motor's datasheet or manual for details). If the service factor is not known, this parameter should be left at its default setting of 1.00 x I _n .
Hot condition theta limit	0.0...100.0%	0.1%	70%	<ul style="list-style-type: none"> - Motor status monitoring - Frequent start protection (N>; 48) - Machine thermal overload protection (Tm>; 49M) - Motor start monitoring (Ist>; 48) - Load jam protection (Im>; 51M) 	Setting the motor's thermal limit in a hot or a cold situation. When this setting value is not exceed while a locked rotor situation occurs, the function uses a cold stall curve adjusted with the actually used thermal capacity. The function uses a hot stall curve when this setting value is exceeded. This setting also applies to starts when the hot/cold selection is in use. Please note that using this setting requires that the Machine thermal overload protection (Tm>) function is activated and in use.
Safe stall time cold	0.1...600.0s	0.1s	20.0s	<ul style="list-style-type: none"> - Motor status monitoring - Frequent start protection (N>; 48) - Machine thermal overload protection (Tm>; 49M) - Motor start monitoring (Ist>; 48) - Load jam protection (Im>; 51M) 	The safe stall time when the motor is cold. Unless this value is specified, it is set to be equal to the hot stall time. Most probably this leads to overprotection with the cold motor stall (best case scenario). This setting value is used for the cold thermal stall curve selection in automatic control. This parameter is also used in the motor start-up and the number of starts calculations.

Name	Range	Step	Default	Protection functions	Description
Safe stall time hot	0.1...600.0s	0.1s	15.0s	- Motor status monitoring - Frequent start protection (N>; 48) - Machine thermal overload protection (Tm>; 49M) - Motor start monitoring (Ist>; 48) - Load jam protection (Im>; 51M)	The safe stall time when the motor is hot. This setting value is used for the hot thermal stall curve selection in automatic control. This parameter is also used in the motor start-up and the number of starts calculations.
Starts when cold	1...100	1	3	- Motor status monitoring - Frequent start protection (N>; 48)	The number of allowed starts per x hours for a cold motor.
Starts when hot	1...100	1	2	- Motor status monitoring - Frequent start protection (N>; 48)	The number of allowed starts per x hours for a hot motor.
Starts in hours	1...100h	1h	1h	- Motor status monitoring - Frequent start protection (N>; 48)	The number of hours when the parameters of the number of allowed starts (hot and cold) apply.
Min time between starts	0.1...600.0s	0.1s	20.0s	- Motor status monitoring - Frequent start protection (N>; 48)	The minimum time between starts or start attempts.

Table. 4.4.17 - 159. Output signals of the motor status monitoring function.

Name	Description
Motor stopped	The Motor stopped signal is active when the function detects a current below the set value of "No load current". This signal presents a situation when a motor is not running.
Motor starting	The Motor starting signal is active when a motor start-up is detected. In DOL mode, the signal is active when the measured current exceeds the "Start detect current" (from the Motor stopped situation); the signal deactivates when the current decreases below the "Max overloading current".

Name	Description
Motor running	The Motor running signal is active when the measured current is above the set "No load current" (as long as the Motor starting situation has passed). This signal is released when the measured current is below the "No load current" setting.
Motor stalled	The Motor stalled signal is active when the measured current exceeds the "Max overload current" setting (from the Motor running situation).
Missing phase	The Missing phase signal is activated when the measured current of one phase is below the "No load current" setting, and the measured currents of two phases are above the "Min locked rotor current" setting. This signal can be used for quickly halting the motor's start-up if one phase is lost and the motor cannot start.
Load Normal	The Load normal signal is active when the measured current is above the set "No load current" and below the motor's nominal current (including the ambient and service factor corrections).
Overloading	The Overloading signal is active when the measured current exceeds the motor's nominal current (including the ambient and service factor corrections) but does not exceed the "Max overload current" setting.
High overcurrent	The High overcurrent signal is active when the measured current is above the "Max locked rotor current" setting and presents a situation where the motor cannot start or stall. When this signal activates, it indicates a short-circuit fault and should immediately be used to halt start-up or stalled situations.

Events and registers

The motor status monitoring function (abbreviated "MST" in event block names) generates events from the detected motor status. The data register is available, based on the events.

Table. 4.4.17 - 160. Event messages.

Event block name	Event names
MST1	Motor Stopped OFF
MST1	Motor Starting ON
MST1	Motor Starting OFF
MST1	Motor Running ON
MST1	Motor Running OFF
MST1	Motor Stalled ON
MST1	Motor Stalled OFF
MST1	Load not symm ON
MST1	Load not symm OFF
MST1	Load normal ON
MST1	Load normal OFF
MST1	Overload ON
MST1	Overload OFF

Event block name	Event names
MST1	High Overcurrent ON
MST1	High Overcurrent OFF

The function registers its operation into the last twelve (12) time-stamped registers. The table below presents the structure of the function's register content.

Table. 4.4.17 - 161. Register content.

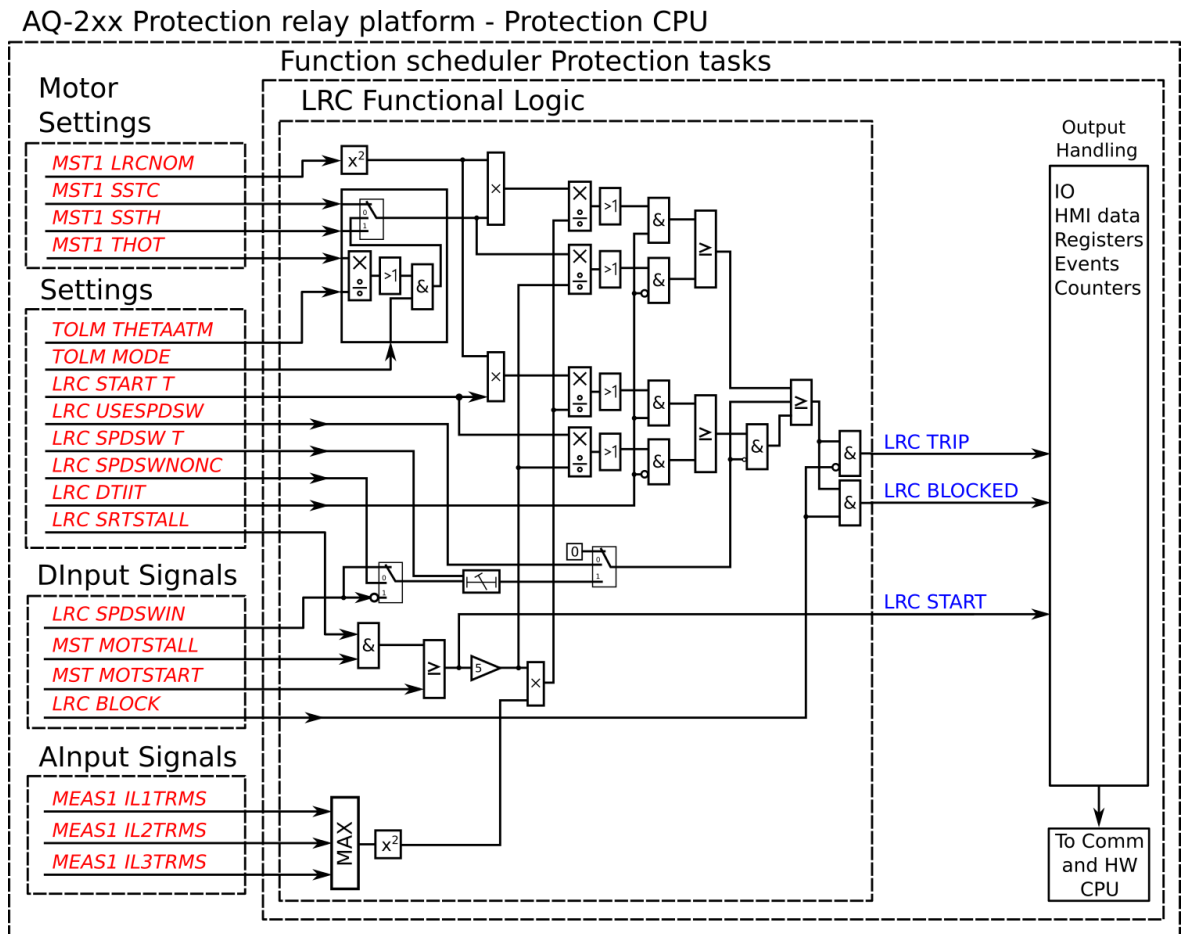
Date and time	Event	L1 current	L2 current	L3 current	Thermal delta	Motor load
dd.mm.yyyy hh:mm:ss.mss	Event name	Phase L1 current x I _n	Phase L2 current x I _n	Phase L3 current x I _n	Detected change in thermal capacity.	Motor loading when triggered.

4.4.18 Motor start/ locked rotor monitoring (Ist>; 48/14)

The motor start/locked rotor monitoring function is used for monitoring the start-up's duration as well as the start-up's stress on the motor. The function can also be used after starting locked rotor protection.

The operating principle of the function is either definite maximum locked rotor time monitoring, or inverse operating time based on the allowed I^2t calculation. When using the I^2t -calculated starting time, the maximum allowed starting time is automatically scaled according to the motor's current. For example, when the network voltage is lower and thus the starting current is also lower, the calculation gives the motor a longer starting time knowing these conditions prolong any start-up. The maximum allowed starting time can be set manually, or the function can be commanded to automatically follow the prescribed hot and cold safe stalling times of the motor manufacturer. Please note that this requires the following: the machine thermal overload protection function must be activated, it must pick-up the automatic safe stalling times, and the thermal status of the motor must be communicated to the Ist> function. The user can set both the allowed starting time and the speed switch input. The speed switch may be required by some high-mass applications when the start-up may last longer; the user should check and ensure that the motor is actually accelerating instead of standing still with its rotor locked.

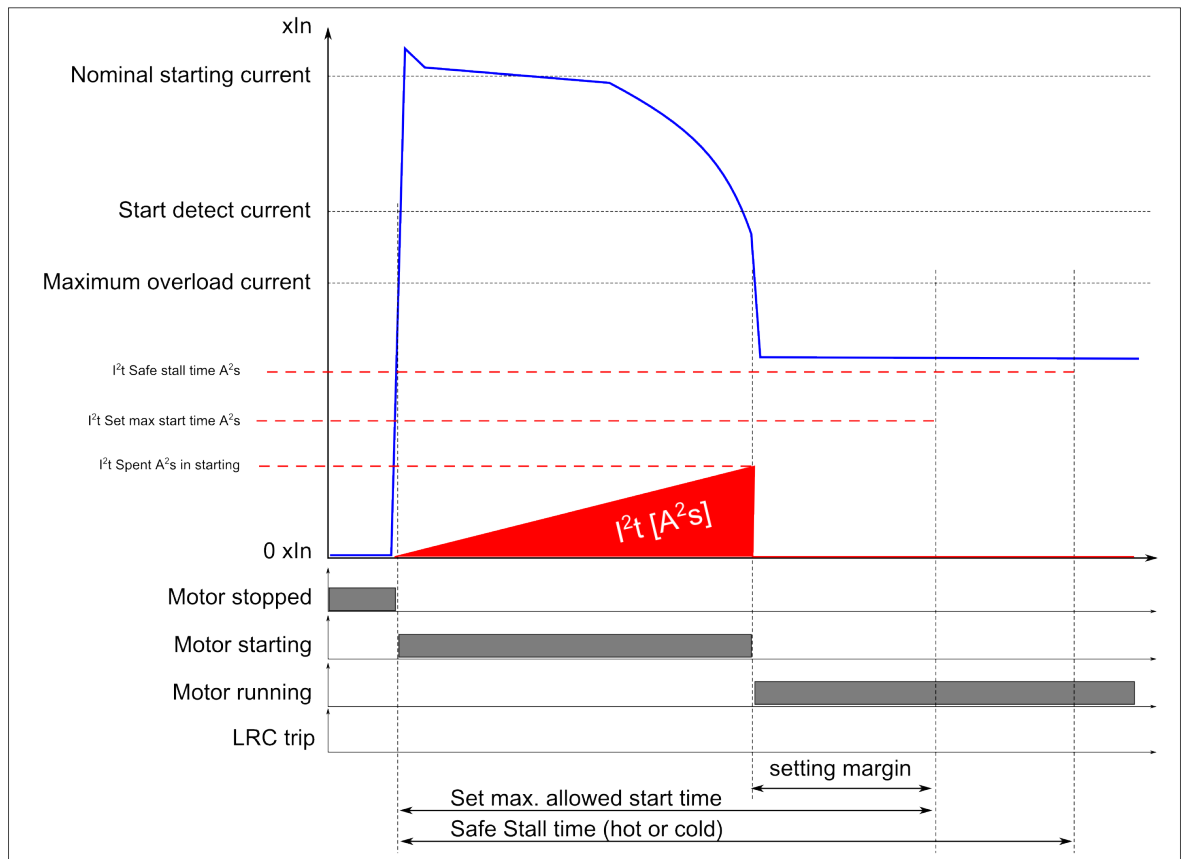
Figure. 4.4.18 - 106. Simplified function block diagram of the motor start/ locked rotor monitoring function.



A recommended setup for this function is for the I^2t mode to be used in starting; if motor running/locked rotor situations at times occur in some parts of the duty cycle during normal use, the locked rotor protection must also be applied. The following five figures present a number of suggested applications for the Ist function for various situations. It is advised that the speed switch –if available– is also used for the motor start monitoring, especially when the motor has a high load when starting, thus making the start-up take very long.

Figure. 4.4.18 - 107. Outputs in normal motor start, no speed switch.

LRC function outputs in normal motor start without speed switch

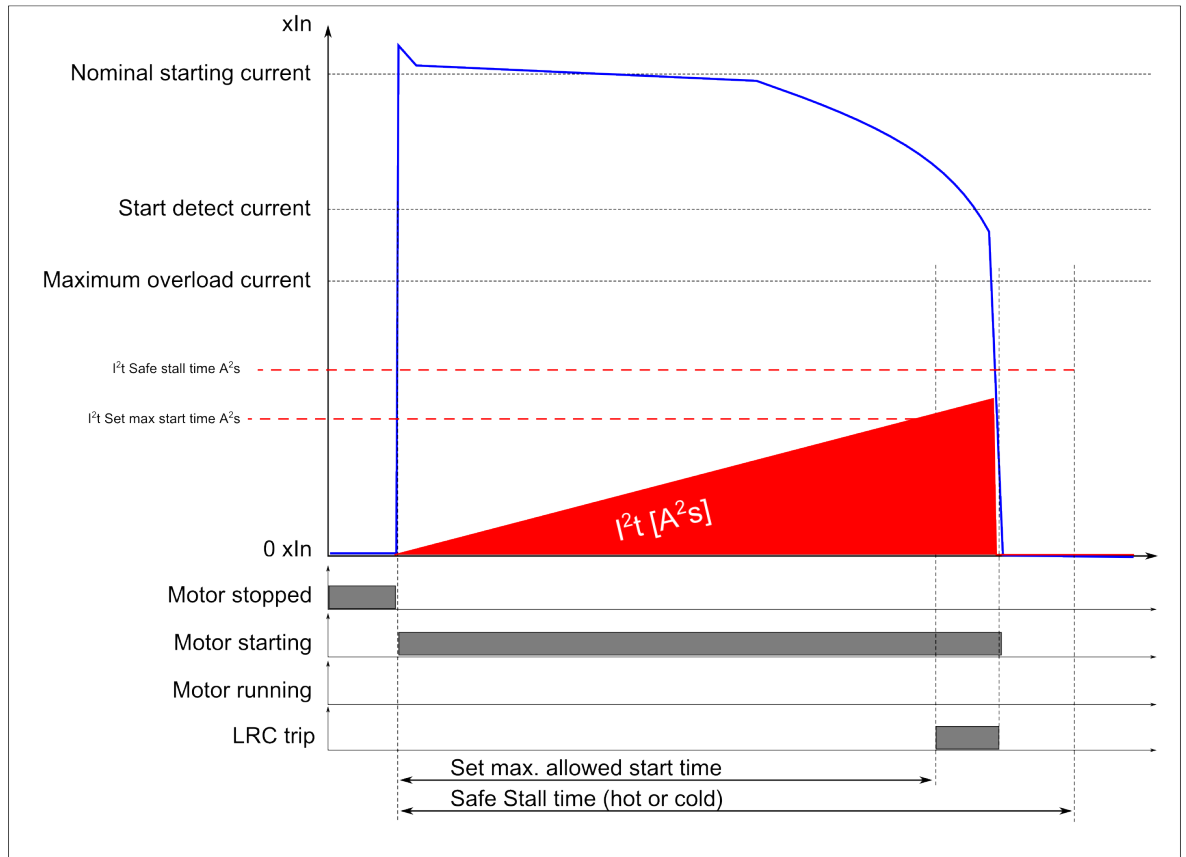


The $I_{st}>$ function should be set so that it takes into account the application's required starting time for a normal motor start. The setting of the function should include a setting margin for the expected starting time. If the starting of the motor is dependent on the process status (e.g. the motor's drive may have a full load or have no load when started), the setting should afford it the longest possible starting time as the status may affect the motor's starting time. If the start-up situation is supposed to always be the same, a sufficient setting for the function's starting monitor would be the expected starting time with an additional 10 % margin. During start-up the function monitors the accumulated I^2t value and when it drops below the calculated I^2t value, the function allows the starting process continue.

If the starting of the motor takes longer than the function's set value, the function trips the breaker and halts the starting process; if the motor cannot start normally there is something wrong with the application.

Figure. 4.4.18 - 108. Outputs when motor starting takes too long, no speed switch.

LRC function outputs in too long motor start without speed switch

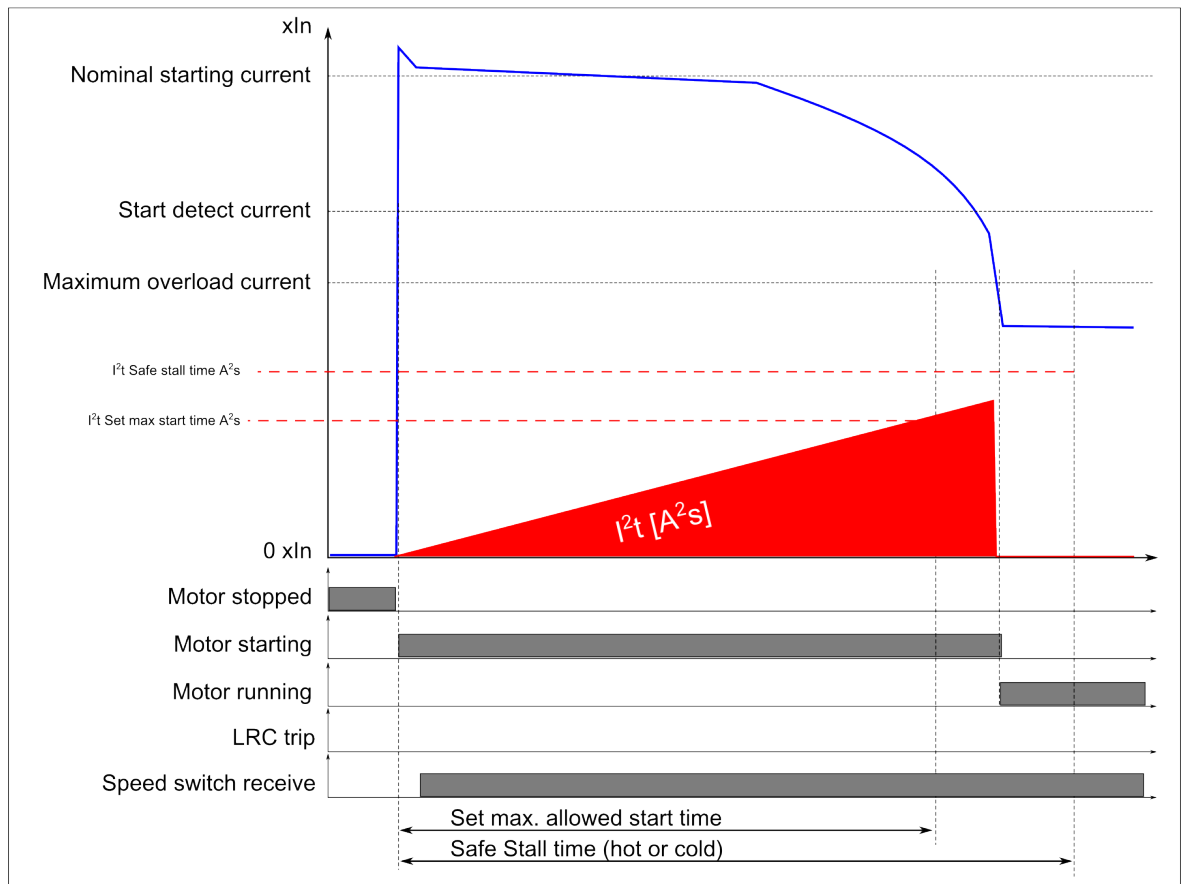


There are many reasons why the motor starting takes too long. These include problems in the drive or in the application. There may also be an issue with the feeding network: if the started motor is very large and the feeding network is weak, its voltage may drop and therefore the motor cannot provide the needed torque for normal starting, resulting in a prolonged start-up situation. This is why the I^2t mode is suggested as it can compensate for the voltage drop by taking the lower starting current caused by the lower voltage into account. If definite time is preferred for the $I_{st}>$ function, it may cause a situation where the starting is well in action but the user-allowed time is spent due to the lower current and lower torque caused by the network's low voltage. In this case the function may trip before the starting is over even though the motor is not yet stressed too much and could still continue the starting.

A speed switch –if available in the application– activates when the motor shaft rotates or accelerates, and it can be used to give the motor additional time for starting beyond the set maximum starting duration. If the speed switch is in use while a similar situation happens (that is, that the motor starting is taking longer than it should), the speed switch ensures that the start-up of the motor is still going fine and the function lets the starting process continue.

Figure. 4.4.18 - 109. Outputs in long motor starting, with a speed switch.

LRC function outputs in long motor start with speed switch

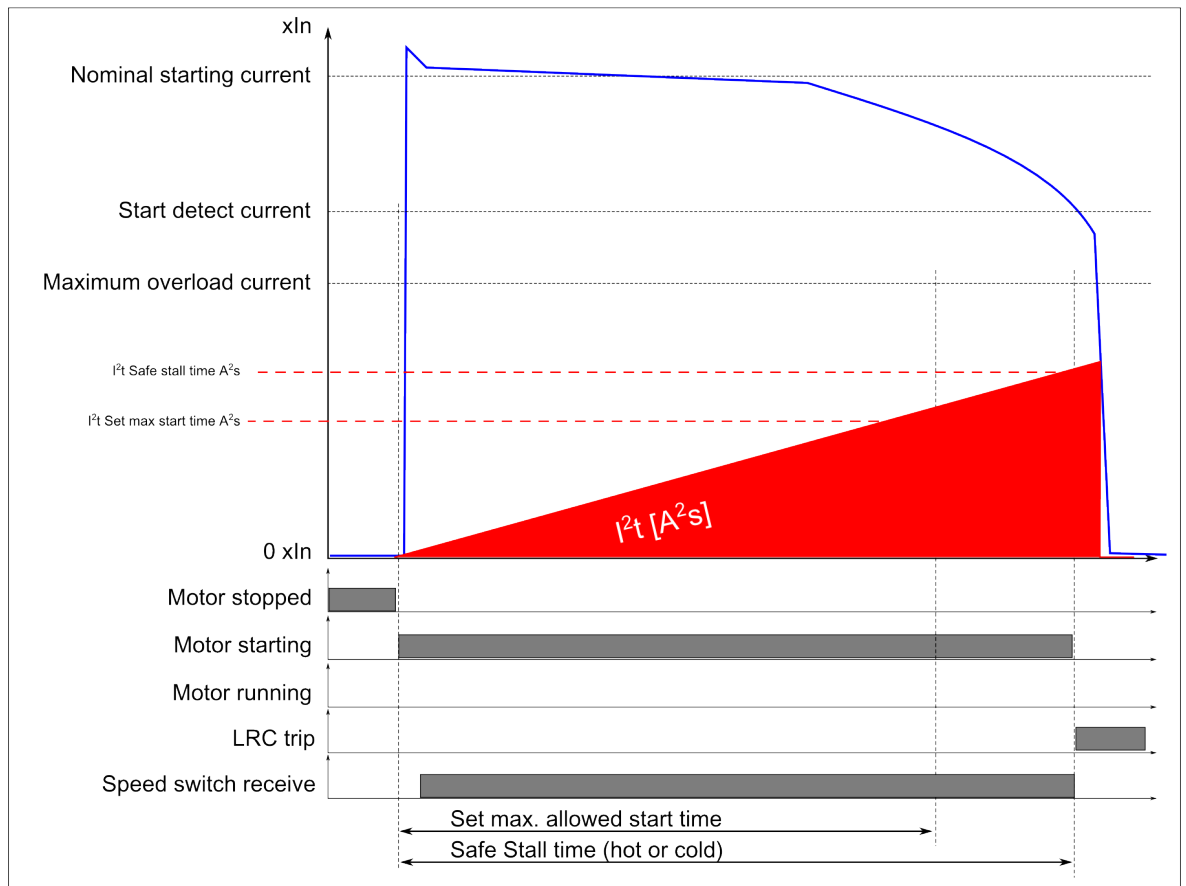


The speed switch is also useful when the motor start is naturally very long due to a high accelerating mass. In such applications a speed switch is required to know whether the start-up is actually happening, or whether the load is jammed and the motor is standing still with its rotor locked.

If the motor start-up with a speed switch exceeds the allowed safe stall time of the motor specifications, the function trips.

Figure. 4.4.18 - 110. Outputs when motor starting takes too long, with a speed switch.

LRC function outputs in prolonged long motor start with speed switch



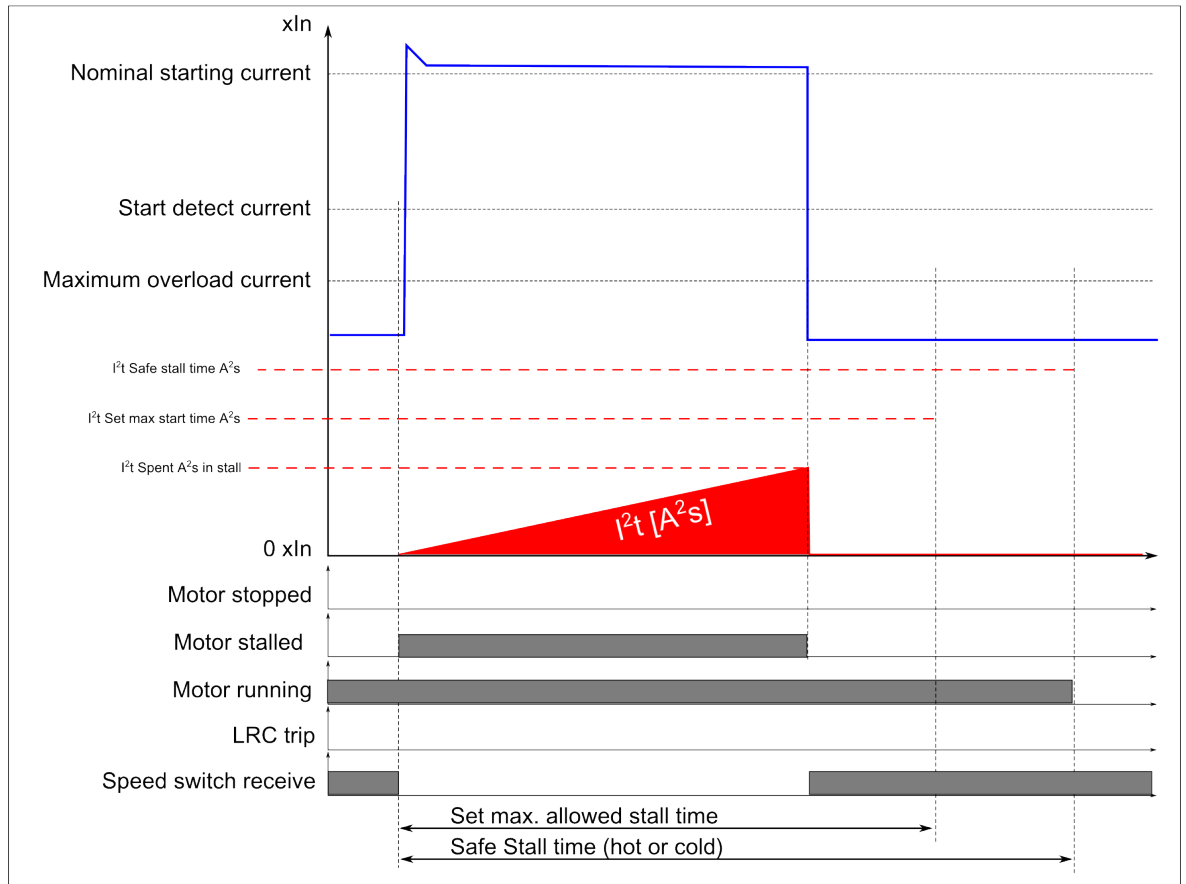
If the starting condition lasts longer than the safe stall time that has been set, the function trips the breaker. In this case the motor is either too small to accelerate within the give time frame or there is a problem with the load eventhough the motor is able to rotate. Letting the starting progress would endanger the motor.

The function can be set to monitor the situation if the motor stalls after it has started. There are the signals ("Mechanical jam" and "Motor stalled") available In the motor protection module, and both can be used to direct the tripping of the motor.

When the I_{st} function is in stall detection and monitor mode, it uses the same default settings for the motor stall than for the starting conditions. The function monitors either given definite time, or the I^2t value and the speed switch input. If given time is exceeded during the stall time the function initiates tripping of the motor from the stall condition.

Figure. 4.4.18 - 111. Motor stall monitoring.

LRC function outputs motor stall with speed switch



Settings and signals

The settings of the motor start/locked rotor monitoring function are mostly shared with other motor protection functions in the device's motor module. The following table shows the motor data settings of the `Ist>` function.

Name	Range	Step	Default	Protection functions	Description
<code>Ist></code> force status to	0: Normal 1: Start 2: Set time Trip 3: M cap Trip 4: Blocked	-	0: Normal	-	Force the status of the function. Visible only when <i>Enable stage forcing</i> parameter is enabled in <i>General</i> menu.
<code>Ist></code> LN mode	1: On 2: Blocked 3: Test 4: Test/Blocked 5: Off	-	1: On	-	Set mode of LCR block. This parameter is visible only when <i>Allow setting of individual LN mode</i> is enabled in <i>General</i> menu.

Name	Range	Step	Default	Protection functions	Description
Ist> LN behaviour	1: On 2: Blocked 3: Test 4: Test/Blocked 5: Off	-	-	-	Displays the mode of LCR block. This parameter is visible only when <i>Allow setting of individual LN mode</i> is enabled in <i>General</i> menu.
Motor Start	0: DOL 1: Y-delta 2: Soft start	-	0: DOL	- Motor status monitoring - Motor start monitoring (Ist>; 48/14)	The motor starting mode selection. The user can select between direct-on-line (DOL), Star-Delta and Soft start in future releases.
Motor In Scaled	0.1...40.0xI _n	0.1xI _n	-	- Motor status monitoring - Machine thermal overload protection (Tm>; 49M) - Motor start monitoring (Ist>; 48/14) - Undercurrent (I<; 37) - Mechanical jam protection (Im>; 51M)	The motor's nominal current scaled to per unit. If the user selects <i>Object In</i> in the CT settings, this value should be 1.00. If scaled to the CT nominal, this value may vary.
Motor In A	0.1...5000A	0.1A	-	- Motor status monitoring - Machine thermal overload protection (Tm>; 49M) - Motor start monitoring (Ist>; 48/14) - Undercurrent (I<; 37) - Mechanical jam protection (Im>; 51M)	The motor's nominal current in amperes.
Nominal starting current	0.1...40.0xI _n	0.1xI _n	6.0xI _n	- Motor status monitoring - Machine thermal overload protection (Tm>; 49M) - Motor start monitoring (Ist>; 48/14) - Mechanical jam protection (Im>; 51M)	The motor's locked rotor current with the nominal voltage. This setting is used for automatic curve selection and calculation. Also, the nominal starting capacity calculation is based on this value.

Name	Range	Step	Default	Protection functions	Description
Nominal starting current A	0.1...5000A	0.1A	-	- Motor status monitoring - Machine thermal overload protection (Tm>; 49M) - Motor start monitoring (Ist>; 48/14) - Mechanical jam protection (Im>; 51M)	The motor's locked rotor current in amperes.
Start detect current	0.1...40.0xI _n	0.1xI _n	1.5xI _n	- Motor status monitoring - Motor start monitoring (Ist>; 48/14)	The motor starting current detection limit. When in DOL or Star-Delta mode, this setting defines the motor starting moment when the measured current exceeds both the no-load current limit and the start detect current limit within a ten-millisecond period. If the current increases slower, it is not defined as a motor start.
Start detect current A	0.1...5000A	0.1A	-	- Motor status monitoring - Motor start monitoring (Ist>; 48/14)	The motor's starting current detection limit in amperes.
Min locked rotor current	0.1...40.0xI _n	0.1xI _n	3.5xI _n	- Motor status monitoring - Machine thermal overload protection (Tm>; 49M) - Motor start monitoring (Ist>; 48/14) - Mechanical jam protection (Im>; 51M)	The motor's minimum locked rotor current. This setting defines the current limit for when this current is exceeded while the automatic curve selection and the control only short time constant (stall) are in use.
Min locked rotor current A	0.1...5000A	0.1A	-	- Motor status monitoring - Machine thermal overload protection (Tm>; 49M) - Motor start monitoring (Ist>; 48/14) - Mechanical jam protection (Im>; 51M)	The motor's minimum locked rotor current. This setting defines the current limit for when this current is exceeded while the automatic curve selection and the control only short time constant (stall) are in use.

Name	Range	Step	Default	Protection functions	Description
Max locked rotor current	0.1...40.0xI _n	0.1xI _n	7.5xI _n	- Motor status monitoring - Machine thermal overload protection (T _m >; 49M) - Motor start monitoring (I _{st} >; 48/14) - Mechanical jam protection (I _m >; 51M)	Maximum locked rotor current of the motor. This setting defines the current limit which is maximum current for the motor to draw in locked rotor situation (starting or stalled). If the measured current exceeds this setting limit it is considered to be overcurrent fault and corresponding measures can be applied to disconnect the feeder and motor from the supply.
Max locked rotor current A	0.1...5000A	0.1A	-	- Motor status monitoring - Machine thermal overload protection (T _m >; 49M) - Motor start monitoring (I _{st} >; 48/14) - Mechanical jam protection (I _m >; 51M)	The maximum locked rotor current in amperes.
Max overload current	0.1...40.0xI _n	0.1xI _n	2.0xI _n	- Motor status monitoring - Machine thermal overload protection (T _m >; 49M) - Motor start monitoring (I _{st} >; 48/14) - Mechanical jam protection (I _m >; 51M)	The motor's maximum overload current. Exceeding this setting stalls the motor. This setting defines when the thermal replica switches to the short (stall) time constant. As long as the current stays below this setting value, the motor should run even when overloaded.
Max overload current A	0.1...5000A	0.1A	-	- Motor status monitoring - Machine thermal overload protection (T _m >; 49M) - Motor start monitoring (I _{st} >; 48/14) - Mechanical jam protection (I _m >; 51M)	The motor's maximum overload current in amperes.

Name	Range	Step	Default	Protection functions	Description
Hot condition theta limit	0.0...100.0%	0.1%	70%	<ul style="list-style-type: none"> - Motor status monitoring - Frequent start protection (N>; 48) - Machine thermal overload protection (Tm>; 49M) - Motor start monitoring (Ist>; 48/14) - Mechanical jam protection (Im>; 51M) 	Setting the motor's thermal limit for hot and cold situations. When this setting value is not exceeded while a locked rotor situation occurs, the function uses a cold stall curve adjusted with the actually used thermal capacity. The function uses a hot stall curve when this setting value is exceeded. This hot/cold selection also applies to starts. Please note that using this setting requires that the Machine thermal overload protection (Tm>) function is activated and in use.
Safe stall time cold	0.1...600.0s	0.1s	20.0s	<ul style="list-style-type: none"> - Motor status monitoring - Frequent start protection (N>; 48) - Machine thermal overload protection (Tm>; 49M) - Motor start monitoring (Ist>; 48/14) - Mechanical jam protection (Im>; 51M) 	The safe stall time when the motor is cold. Unless this value is specified, it is set to be equal to the hot stall time. Most probably this leads to overprotection with the cold motor stall (best case scenario). This setting value is used for the cold thermal stall curve selection in automatic control. This parameter is also used in the motor start-up and the number of starts calculations.
Safe stall time hot	0.1...600.0s	0.1s	15.0s	<ul style="list-style-type: none"> - Motor status monitoring - Frequent start protection (N>; 48) - Machine thermal overload protection (Tm>; 49M) - Motor start monitoring (Ist>; 48/14) - Mechanical jam protection (Im>; 51M) 	The safe stall time when the motor is hot. This setting value is used for the hot thermal stall curve selection in automatic control. This parameter is also used in the motor start-up and the number of starts calculations.

Table. 4.4.18 - 162. Settings of the Ist> function.

Name	Range	Step	Default	Description
Starting time	0.000...1800.000s	0.005s	0.040s	Motor starting time the user sets. This setting should include the expected normal starting time of the protected motor as well as the operating marginal.

Name	Range	Step	Default	Description
Definite time or I^2t	0: Definite 1: I^2t mode	-	0: Definite	Selection of the operating mode. If the I^2t mode is selected, the function monitors the heating effect as a function of the measured current. In the Definite time mode, the function only monitors the start/stall signal duration and compares it to the "Starting time" setting.
Speed switch in use	0: No 1: Yes	-	0: No	Selection of whether or not the speed switch is used in the application.
Speed SW wait time	0.000...1800.000s	0.005s	0.040s	The setting which determines how long the function waits for the speed switch to give a signal since the starting of the motor. If the speed switch is not activated during this set time, the starting of the motor is halted. This setting is visible only if the "Speed switch in use" setting is active.
Speed SW NO/NC	0: NO 1: NC	-	0: NO	The polarity of the speed switch signal, normally open ("NO") or normally closed ("NC"). This setting is visible only if the "Speed switch in use" setting is active.
Operating mode	0: Starts only 1: Starts and stall	-	0: Starts only	Operating mode selection of the function. This setting defines whether the function monitors only the start-up conditions of the motor, or both the start-up and stall conditions of the motor.

Table. 4.4.18 - 163. Output signals of the Ist> function.

Name	Description
Ist> START	The START output of the function. This signal activates when the starting conditions are met and the function is about to initiate a trip after the time calculation is finished.
Ist> TRIP	The TRIP output of the function. This signal activates when the pick-up and time conditions are met.
Ist> BLOCKED	The BLOCKED output of the function. This signal activates when the START output is activated but the function is blocked from operating normally.

Events and registers

The motor start/locked rotor monitoring function (abbreviated "LCR" in event block names) generates events from the detected motor status. The data register is available, based on the changes in the events.

Table. 4.4.18 - 164. Event messages.

Event block name	Event names
LCR1	Max. Start time exceed ON
LCR1	Max. Start time exceed OFF
LCR1	Set start time exceed ON
LCR1	Set start time exceed OFF

Event block name	Event names
LCR1	Speed Switch not received ON
LCR1	Speed Switch not received OFF
LCR1	Start ON
LCR1	Start OFF
LCR1	Set time Trip ON
LCR1	Set time Trip OFF
LCR1	Max cap Trip ON
LCR1	Max cap Trip OFF
LCR1	Blocked ON
LCR1	Blocked OFF

The function registers its operation into the last twelve (12) time-stamped registers. The table below presents the structure of the function's register content.

Table. 4.4.18 - 165. Register content.

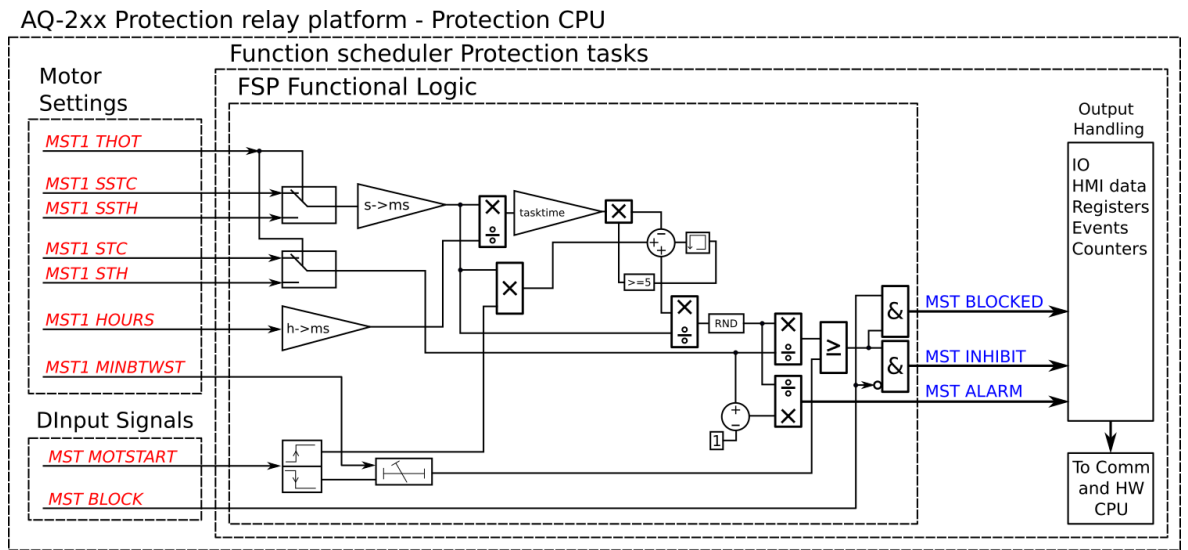
Date and time	Event	Start/ Stall time	Max. time used	Set time used	Thermal cap. used	L1 current	L2 current	L3 current	SG used
dd.mm.yyyy hh:mm:ss.mss	Event name	Recorded duration of stall/ start	Percentage used from max safe stall time	Percentage used from user set max time	Thermal capacity used	Phase L1 current $\times I_n$	Phase L2 current $\times I_n$	Phase L3 current $\times I_n$	Used setting group

4.4.19 Frequent start protection (N>: 66)

The frequent start protection function is used for monitoring and preventing the starting of the motor to happen too frequently. This function monitors the number of the starts the motor has used within a given time frame to ensure that the start stress does not exceed the limits stated by the manufacturer. The start-up situation is most stressful normal operation situation for motors that are started with Direct On Line; the manufacturer gives safe start limits with a specified time frame for both cold and hot motors in order to guarantee the motor's lifetime. Usually the manufacturers also specify the time between consequent starts. When a set number of starts have been used or a new start or start attempt is made too quickly after the previous start or start attempt, further starting attempts should be blocked by using the N> function, thus allowing the motor to cool down sufficiently before the next start attempt.

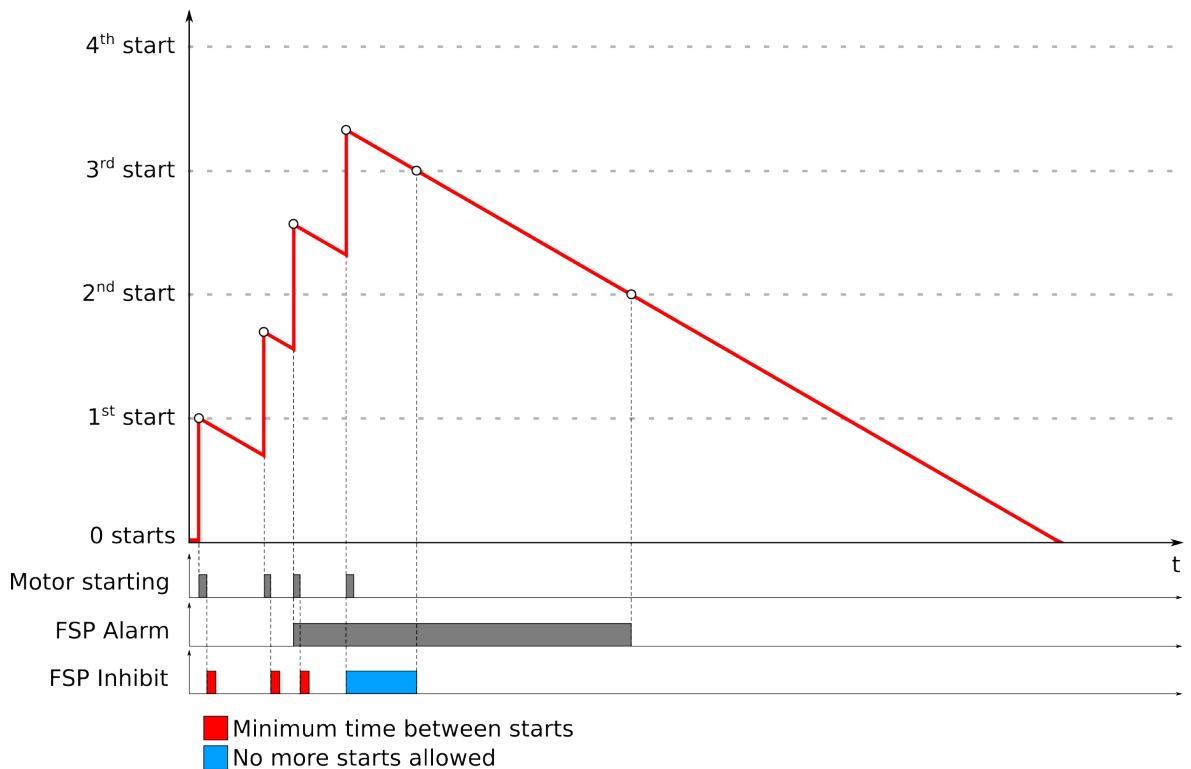
The frequent start protection function in a motor protection module operates with the motor status monitoring function and follows the motor data set there. Motor starting is monitored internally (MST signal out) in the N> function. The user only needs to activate the N> function and then do the following: set the number of allowed starts for hot and cold situations, set the minimum time between consequent starts, and set the limits of "Hot" and "Cold" situations. The thermal overload function also needs to be activated and set, if the user wants to use the hot and cold motor status separation.

Figure. 4.4.19 - 112. Simplified function block diagram of the N> function.



The operating principle of the frequent start protection function is to calculate an equivalent start stress in each start; the calculation is based on the set starts per hour and the safe stall time settings (hot and cold) regardless of the actual start duration. In each start attempt the function does the following calculation: a time equal to the safe stall time and is added to the starts counter, and the quotient of the safe stall time divided by the set starts time (in hours) is then subtracted from this sum. This way the start counter can be applied to follow the motor's thermal status and the number of starts per hour accurately.

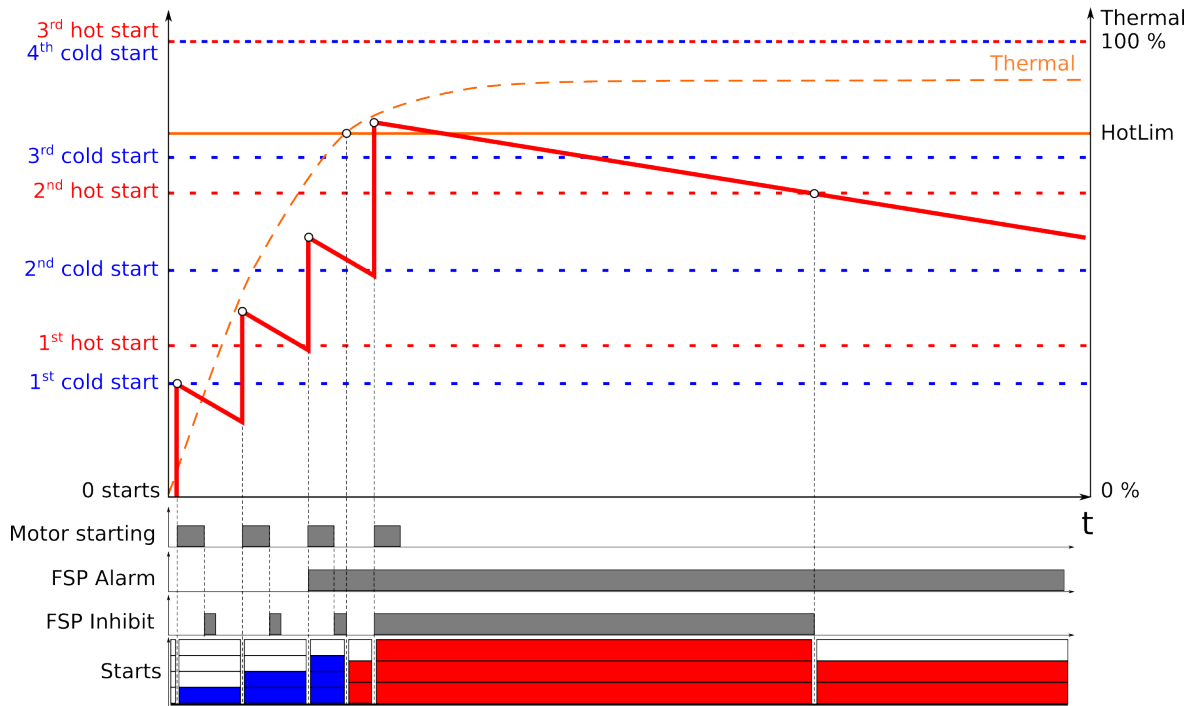
Figure. 4.4.19 - 113. Updating the function's start counter (image not to scale with regard to time).



In the example above the motor is allowed four starts within a specific time frame (t): the motor is started four times and the counter is updated accordingly. The function's alarm activates after the third start to indicate that only one more start is allowed. Once this start is used the function's restart inhibit is activated and it stays active until the motor can be started again.

The cumulative start-up counter is updated constantly in each program cycle, and the device shows the inhibit and alarm time as well as the number of used and available starts. The counter is updated in every start: the counter is increased by the product of the safe stall time multiplied by the nominal start-up current. In each start the counter is increased by this product which is then in every cycle deduct by starts/given time divided by program cycle time. This way the start-up counter can be precisely set for each motor.

Figure. 4.4.19 - 114. Updating the starts counter when thermal hot and cold status taken into consideration.



If a motor's thermal load is monitored, a correct number of starts can be allowed for the motor when the device can update the available starts online and precisely monitor the motor's status. In the example figure above, the motor is allowed four (4) starts when it is cold, and three (3) starts when it is hot. In the figure's situation the motor has been started three times cold and the hot limit is reached before the motor has started for the fourth time. Due to the three cold starts the counter only allows for one more start, as the motor has already been started three times cold. While the thermal status is "hot", the restart inhibit is activated and the start cooling time is counted according to the reduction rate for hot starts. Now, if the motor were stopped in this situation, the starts reduction would be counted according to "cold" motor status as the thermal load would reduce the count below the "hot" limit.

General settings

The following general settings define the general behavior of the function. These settings are static i.e. it is not possible to change them by editing the setting group.

Table. 4.4.19 - 166. General settings of the function.

Name	Range	Step	Default	Description
N > LN mode	1: On 2: Blocked 3: Test 4: Test/ Blocked 5: Off	-	0: On	Set mode of FSP block. This parameter is visible only when <i>Allow setting of individual LN mode</i> is enabled in <i>General</i> menu.

Read-only parameters

The relay's *Info* page displays useful, real-time information on the state of the protection function. It is accessed either through the relay's HMI display, or through the setting tool software when it is connected to the relay and its Live Edit mode is active.

Table. 4.4.19 - 167. Information displayed by the function.

Name	Range	Step	Description
N> LN behaviour	1: On 2: Blocked 3: Test 4: Test/Blocked 5: Off	-	Displays the mode of FSP block. This parameter is visible only when <i>Allow setting of individual LN mode</i> is enabled in <i>General</i> menu.
N> condition	0: Normal 1: Start 2: Trip 3: Blocked	-	Displays the status of the protection function.

Settings and signals

The settings of the frequent start protection are the directly stated motor data from the device's motor module. The following table shows the other functions that also use these settings. If these settings are edited through the frequent start protection function's setting view, they change in all other mentioned functions at the same time.

Table. 4.4.19 - 168. Motor data settings.

Name	Range	Step	Default	Protection functions	Description
Hot condition theta limit	0.0...100.0%	0.1%	70%	- Motor status monitoring - Frequent start protection (N>; 48) - Machine thermal overload protection (Tm>; 49M) - Motor start monitoring (Ist>; 48) - Load jam protection (Im>; 50M)	Setting the motor's thermal limit in a hot or a cold situation. When this setting value is not exceeded while a locked rotor situation occurs, the function uses a cold stall curve adjusted with the actually used thermal capacity. The function uses a hot stall curve when this setting value is exceeded. This setting also applies to starts when the hot/cold selection is in use. Please note that using this setting requires that the Machine thermal overload protection (Tm>) function is activated and in use.

Name	Range	Step	Default	Protection functions	Description
Safe stall time cold	0.1...600.0s	0.1s	20.0s	- Motor status monitoring - Frequent start protection (N>; 48) - Machine thermal overload protection (Tm>; 49M) - Motor start monitoring (Ist>; 48) - Load jam protection (Im>; 50M)	The safe stall time when the motor is cold. Unless this value is specified, it is set to be equal to the hot stall time. Most probably this leads to overprotection with the cold motor stall (best case scenario). This setting value is used for the cold thermal stall curve selection in automatic control. This parameter is also used in the motor start-up and the number of starts calculations.
Safe stall time hot	0.1...600.0s	0.1s	15.0s	- Motor status monitoring - Frequent start protection (N>; 48) - Machine thermal overload protection (Tm>; 49M) - Motor start monitoring (Ist>; 48) - Load jam protection (Im>; 50M)	The safe stall time when the motor is hot. This setting value is used for the hot thermal stall curve selection in automatic control. This parameter is also used in the motor start-up and the number of starts calculations.
Starts when cold	1...100	1	3	- Motor status monitoring - Frequent start protection (N>; 48)	The number of allowed starts per x hours for a cold motor.
Starts when hot	1...100	1	2	- Motor status monitoring - Frequent start protection (N>; 48)	The number of allowed starts per x hours for a hot motor.

Name	Range	Step	Default	Protection functions	Description
Starts in hours	1...100h	1h	1h	- Motor status monitoring - Frequent start protection (N>; 48)	The number of hours when the parameters of the number of allowed starts (hot and cold) apply.
Min time betw. starts	0.1...600.0s	0.1s	20.0s	- Motor status monitoring - Frequent start protection (N>; 48)	The minimum time between starts or start attempts.

Table. 4.4.19 - 169. Output signals of the N> function.

Name	Description
N> Alarm on	Alarm output of the function. This signal activates when there is one (1) start available for the motor.
N> Inhibit on	Inhibit output of the function. This signal activates when all available starts have been used and the motor is not allowed to start before the starts counter has one (1) or more starts available.
N> BLOCKED	Blocked output of the function. This signal activates when the function is activated but is blocked from operating normally.

Events and registers

The frequent start protection function (abbreviated "FSP" in event block names) generates events from the detected motor status. The data register is available, based on the changes in the events.

Table. 4.4.19 - 170. Event messages.

Event block name	Event names
FSP1	Alarm ON
FSP1	Alarm OFF
FSP1	Inhibit ON
FSP1	Inhibit OFF
FSP1	Blocked ON
FSP1	Blocked OFF

The function registers its operation into the last twelve (12) time-stamped registers. The table below presents the structure of the function's register content.

Table. 4.4.19 - 171. Register content.

Date and time	Event	Inhibit time on	Time since last start	Start count
dd.mm.yyyy hh:mm:ss.mss	Event name	If on, it shows how long the inhibit is active	Time elapsed from last starting	Starts used at the triggering moment

4.4.20 Non-directional undercurrent protection ($I_{<}$; 37)

The non-directional undercurrent function is used for monitoring motor loading especially in conveyor-type of applications. A sudden loss in the motor load indicates problems in the actual load rather than in the motor itself. In a conveyor application this may indicate a broken belt and the motor should be turned off immediately to avoid further problems. The cause may also be a mechanical breakdown of the apparatus the motor uses. In some cases this undercurrent function's output may be also used in an automation system to indicate that the device has finished its work load and is ready for a next task. In order to operate this function requires *motor running* status signal to be active. *Motor running* is connected internally from *Motor status monitoring* function. The operation of undercurrent protection is blocked when the motor is not running.

The non-directional undercurrent function is used for instant and time-delayed undercurrent protection. The operating decisions are based on phase current magnitude, constantly measured by the function. The available phase current magnitudes are equal to RMS values. The blocking signal and the setting group selection control the operating characteristics of the function during normal operation, i.e. the user or user-defined logic can change function parameters while the function is running.

The function's outputs are START, TRIP and BLOCKED signals which can be used for direct I/O controlling and user logic programming.. The undercurrent function uses a total of eight (8) separate setting groups which can be selected from one common source.

The function can operate on instant or time-delayed mode. In the time-delayed mode the operation can be set to operate on definite time (DT) delay.

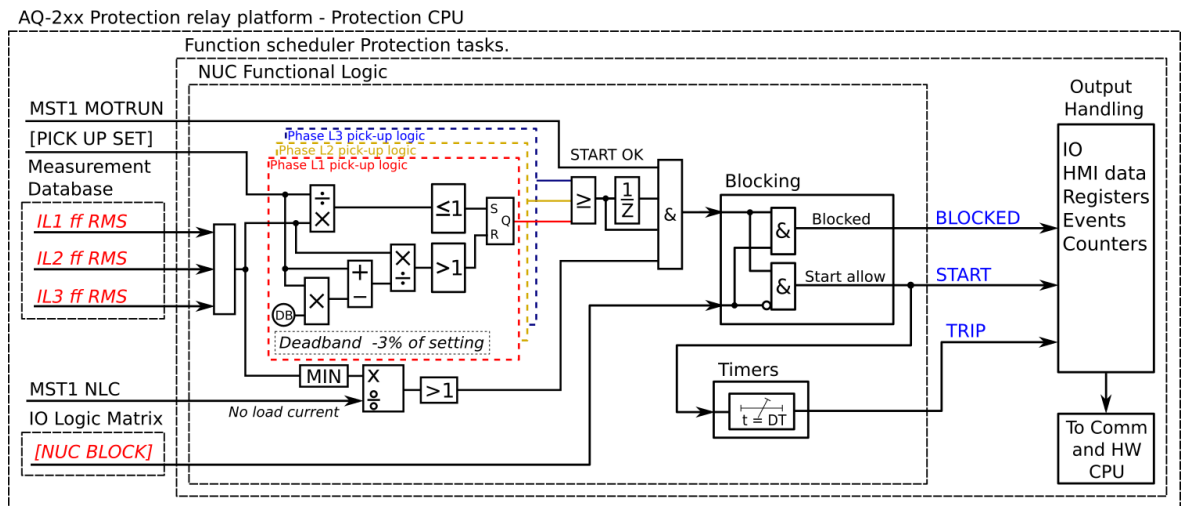
The inputs for the function are the following:

- setting parameters
- digital inputs and logic signals
- measured and pre-processed current magnitudes.

The function outputs the START, TRIP and BLOCKED signals which can be used for direct I/O controlling and user logic programming. The function generates general time-stamped ON/OFF events to the common event buffer from each of the three (3) output signals. In the instant operating mode the function outputs START and TRIP events simultaneously with an equivalent time stamp. The time stamp resolution is 1 ms. The function also provides a resettable cumulative counter for the START, TRIP and BLOCKED events.

The following figure presents a simplified function block diagram of the undercurrent function.

Figure. 4.4.20 - 115. Simplified function block diagram of the I< function.



Measured input

The function block uses analog current measurement values and uses RMS phase current measurements. A -20 ms averaged value of the selected magnitude is used for pre-fault data registering.

Table. 4.4.20 - 172. Measurement inputs of the I< function.

Signal	Description	Time base
IL1RMS	RMS measurement of phase L1 (A) current	5ms
IL2RMS	RMS measurement of phase L2 (B) current	5ms
IL3RMS	RMS measurement of phase L3 (C) current	5ms

In all possible input channel variations the pre-fault condition is presented with a 20 ms averaged history value from -20 ms from a START or TRIP event.

General settings

The following general settings define the general behavior of the function. These settings are static i.e. it is not possible to change them by editing the setting group.

Table. 4.4.20 - 173. General settings of the function.

Name	Range	Step	Default	Description
I< LN mode	1: On 2: Blocked 3: Test 4: Test/ Blocked 5: Off	-	0: On	Set mode of NUC block. This parameter is visible only when <i>Allow setting of individual LN mode</i> is enabled in <i>General</i> menu.

Name	Range	Step	Default	Description
I< force status to	0: Normal 1: Start 2: Trip 3: Blocked	-	0: Normal	Force the status of the function. Visible only when <i>Enable stage forcing</i> parameter is enabled in <i>General</i> menu.

Pick-up

The I_{set} setting parameter controls the the pick-up of the I< function. This defines the minimum allowed measured current before action from the function. The function constantly calculates the ratio between the I_{set} and the measured magnitude (I_m) for each of the three phases. The reset ratio of 103 % is built into the function and is always relative to the I_{set} value. The setting value is common for all measured phases. When the I_m exceeds the I_{set} value (in single, dual or all phases) it triggers the pick-up operation of the function.

Table. 4.4.20 - 174. Motor data settings.

Name	Range	Step	Default	Protection functions	Description
Motor In Scaled	0.1... 40.0 $\times I_n$	0.1 $\times I_n$	-	- Motor status monitoring - Machine thermal overload protection (Tm>; 49M) - Motor starting monitoring (Ist>; 48) - Undercurrent (I<; 37) - Load jam protection (Im>; 51M)	The motor's nominal current scaled to per unit. If the user selects <i>Object In</i> in the CT settings, this value should be 1.00. If scaled to the CT nominal, this value may vary.
Motor In A	0.1...5,000 A	0.1 A	-	- Motor status monitoring - Machine thermal overload protection (Tm>; 49M) - Motor starting monitoring (Ist>; 48) - Undercurrent (I<; 37) - Load jam protection (Im>; 51M)	The motor's nominal current in amperes.

Name	Range	Step	Default	Protection functions	Description
No load current<	0.1...40.0 x I _n	0.1 x I _n	0.2 x I _n	- Motor status monitoring - Machine thermal overload protection (T _m >; 49M) - Undercurrent (I<; 37)	The motor's no load current. This setting defines the "Stopped" condition when the current is below this setting value. Also, when the current is below this value, the undercurrent protection stage is locked.
No load current< A	0.1...5 000 A	0.1 A	-	- Motor status monitoring - Machine thermal overload protection (T _m >; 49M) - Undercurrent (I<; 37)	The motor's no load current in amperes.

Table. 4.4.20 - 175. Pick-up settings.

Name	Description	Range	Step	Default
I _{set}	Pick-up setting	0.10...40.00xI _n	0.01xI _n	0.5xI _n

The pick-up activation of the function is not directly equal to the START signal generation of the function. The START signal is allowed if the blocking condition is not active.

Operating time characteristics for trip and reset

This function supports definite time delay (DT). For detailed information on these delay types please refer to the chapter "[General properties of a protection function](#)" and its section "[Operating time characteristics for trip and reset](#)".

Read-only parameters

The relay's *Info* page displays useful, real-time information on the state of the protection function. It is accessed either through the relay's HMI display, or through the setting tool software when it is connected to the relay and its Live Edit mode is active.

Table. 4.4.20 - 176. Information displayed by the function.

Name	Range	Description
I< LN behaviour	1: On 2: Blocked 3: Test 4: Test/Blocked 5: Off	Displays the mode of NUC block. This parameter is visible only when <i>Allow setting of individual LN mode</i> is enabled in <i>General</i> menu.

Name	Range	Description
I< condition	0: Normal 1: Start 2: Trip 3: Blocked	Displays status of the protection function.
Expected operating time	0.000...1800.000s	Displays the expected operating time when a fault occurs.

Function blocking

The block signal is checked in the beginning of each program cycle. The blocking signal is received from the blocking matrix in the function's dedicated input. If the blocking signal is not activated when the pick-up element activates, a START signal is generated and the function proceeds to the time characteristics calculation.

If the blocking signal is active when the pick-up element activates, a BLOCKED signal is generated and the function does not process the situation further. If the START function has been activated before the blocking signal, it resets and the release time characteristics are processed similarly to when the pick-up signal is reset.

The blocking of the function causes an HMI display event and a time-stamped blocking event with information of the startup current values and its fault type to be issued.

The variables the user can set are binary signals from the system. The blocking signal needs to reach the device minimum of 5 ms before the set operating delay has passed in order for the blocking to activate in time.

Events and registers

The undercurrent function (abbreviated "NUC" in event block names) generates events and registers from the status changes in START, TRIP and BLOCKED. The user can select which event messages are stored in the main event buffer: ON, OFF, or both.

The events triggered by the function are recorded with a time stamp and with process data values.

Table. 4.4.20 - 177. Event messages.

Event block name	Event names
NUC1	Start ON
NUC1	Start OFF
NUC1	Trip ON
NUC1	Trip OFF
NUC1	Block ON
NUC1	Block OFF

The function registers its operation into the last twelve (12) time-stamped registers. The register of the function records the ON event process data for START, TRIP or BLOCKED. The table below presents the structure of the function's register content.

Table. 4.4.20 - 178. Register content.

Date and time	Event	Fault type	Pre-trigger current	Fault current	Prefault current	Trip time remaining	Used SG
dd.mm.yyyy hh:mm:ss.mss	Event name	L1-G...L1-L2-L3	Start/ Trip -20ms current	Start/ Trip current	Start -200ms current	0 ms...1800s	Setting group 1...8 active

4.4.21 Mechanical jam protection ($I_{m>}$; 51M)

The mechanical jam protection function is used for monitoring motor loading after motor starting. When a motor-run apparatus jams during its work load, this function can be used to disconnect the motor from the feeding network in order to avoid further damage to the motor drive. The function is active only after the motor has started, and it is blocked during motor starting. This is done through an internal connection of *Motor running* and through a *Motor starting* signal taken from the *Motor status monitoring* function. This function operates similarly to the motor starting/locked rotor function ($I_{st>}$; 48/14) although it operates on Definite Time delay and does not work during motor starting. Also, with the help of a dedicated locked rotor function and mechanical jam protection the user can divide all possible fault situations based on a quick definition of the fault types in relay events. Additionally, the $I_{st>}$ function's setup can be problematic with heavy inertia loads that experience a locked rotor situation during work load. Having separate functions for start-up and for mechanical jams divides the situations clearly; for example, the mechanical jam protection can be set to instant operation while the locked rotor function allows motor starting several tens of seconds.

The load jam protection function uses a total of eight (8) separate setting groups which can be selected from one common source.

The function can operate on instant or time-delayed mode. In the time-delayed mode the operation can be set to definite time (DT) delay.

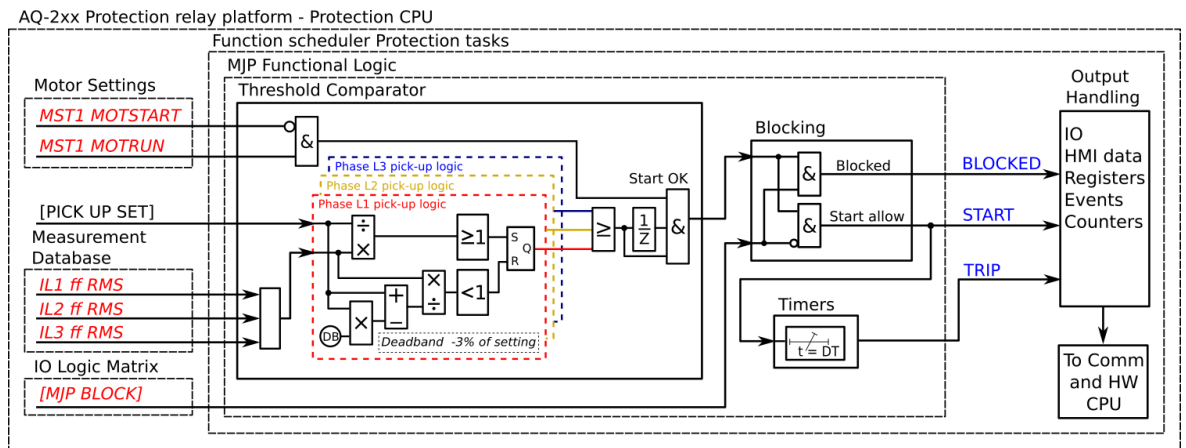
The inputs for the function are the following:

- setting parameters
- digital inputs and logic signals
- measured and pre-processed current magnitudes.

The function's outputs are START, TRIP and BLOCKED signals which can be used for direct I/O controlling and user logic programming. The function generates general time-stamped ON/OFF events to the common event buffer from each of the three (3) output signals. In the instant operating mode the function outputs START and TRIP events simultaneously with an equivalent time stamp. The time stamp resolution is 1 ms. The function also provides a cumulative counter for the START, TRIP and BLOCKED events.

The following figure presents a simplified function block diagram of the load jam protection function.

Figure. 4.4.21 - 116. Simplified function block diagram of the Im> function.



Measured input

The function block uses analog current measurement values and uses RMS phase current measurements. A -20 ms averaged value of the selected magnitude is used for pre-fault data registering.

Table. 4.4.21 - 179. Measurement inputs of the Im> function.

Signal	Description	Time base
IL1RMS	RMS measurement of phase L1 (A) current	5ms
IL2RMS	RMS measurement of phase L2 (B) current	5ms
IL3RMS	RMS measurement of phase L3 (C) current	5ms

The selection of the used AI channel is made with a setting parameter. In all possible input channel variations the pre-fault condition is presented with a 20 ms averaged history value from -20 ms from a START or TRIP event.

General settings

The following general settings define the general behavior of the function. These settings are static i.e. it is not possible to change them by editing the setting group.

Table. 4.4.21 - 180. General settings of the function.

Name	Range	Default	Description
Im> LN mode	1: On 2: Blocked 3: Test 4: Test/ Blocked 5: Off	0: On	Set mode of MJP block. This parameter is visible only when <i>Allow setting of individual LN mode</i> is enabled in <i>General</i> menu.

Name	Range	Default	Description
Im> force status to	0: Normal 1: Start 2: Trip 3: Blocked	0: Normal	Force the status of the function. Visible only when <i>Enable stage forcing</i> parameter is enabled in <i>General</i> menu.

Pick-up

The I_{set} setting parameter controls the pick-up of the Im> function. This defines the maximum allowed measured current before action from the function. The function constantly calculates the ratio between the I_{set} and the measured magnitude (I_m) for each of the three phases. The reset ratio of 97 % is built into the function and is always relative to the I_{set} value. The setting value is common for all measured phases, and when the I_m exceeds the I_{set} value (in single, dual or all phases) it triggers the pick-up operation of the function.

Table. 4.4.21 - 181. Motor data settings.

Name	Range	Step	Default	Prot.funcs.	Description
Motor In Scaled	0.1... 40.0xI _n	0.1xI _n	-	- Motor status monitoring - Machine thermal overload protection (Tm>; 49M) - Motor start monitoring (Ist>; 48) - Undercurrent (I<; 37) - Load jam protection (Im>; 51M)	The motor's nominal current scaled to per unit. If the user selects <i>Object In</i> in the CT settings, this value should be 1.00. If scaled to the CT nominal, this value may vary.
Motor In A	0.1...5 000.0A	0.1A	-	- Motor status monitoring - Machine thermal overload protection (Tm>; 49M) - Motor start monitoring (Ist>; 48) - Undercurrent (I<; 37) - Load jam protection (Im>; 51M)	The motor's nominal current in amperes.

Name	Range	Step	Default	Prot.funcs.	Description
Nominal starting current	0.1...40.0xI _n	0.1xI _n	6.0xI _n	- Motor status monitoring - Machine thermal overload protection (T _m >; 49 M) - Motor start monitoring (I _{st} >; 48) - Load jam protection (I _m >; 51M)	The motor's locked rotor current with the nominal voltage. This setting is used for automatic curve selection and calculation. Also, the nominal starting capacity calculation is based on this value.
Nominal starting current A	0.1...5000.0A	0.1A	-	- Motor status monitoring - Machine thermal overload protection (T _m >; 49M) - Motor start monitoring (I _{st} >; 48) - Load jam protection (I _m >; 51M)	The motor's locked rotor current in amperes.
Min locked rotor current	0.1...40.0xI _n	0.1xI _n	3.5xI _n	- Motor status monitoring - Machine thermal overload protection (T _m >; 49M) - Motor start monitoring (I _{st} >; 48) - Load jam protection (I _m >; 51M)	The motor's minimum locked rotor current. This setting defines the current limit for when this current is exceeded while the automatic curve selection and the control only short time constant (stall) are in use.
Min locked rotor current A	0.1...5000.0A	0.1A	-	- Motor status monitoring - Machine thermal overload protection (T _m >; 49M) - Motor start monitoring (I _{st} >; 48) - Load jam protection (I _m >; 51M)	The motor's minimum locked rotor current. This setting defines the current limit for when this current is exceeded while the automatic curve selection and the control only short time constant (stall) are in use.

Name	Range	Step	Default	Prot.funcs.	Description
Max locked rotor current	0.1...40.0xI _n	0.1xI _n	7.5xI _n	- Motor status monitoring - Machine thermal overload protection (T _m >; 49M) - Motor start monitoring (I _{st} >; 48) - Load jam protection (I _m >; 51M)	Maximum locked rotor current of the motor. This setting defines the current limit which is maximum current for the motor to draw in locked rotor situation (starting or stalled). If the measured current exceeds this setting limit it is considered to be overcurrent fault and corresponding measures can be applied to disconnect the feeder and motor from the supply.
Max locked rotor current A	0.1...5000.0A	0.1A	-	- Motor status monitoring - Machine thermal overload protection (T _m >; 49M) - Motor start monitoring (I _{st} >; 48) - Load jam protection (I _m >; 51M)	The maximum locked rotor current in amperes.
Max overload current	0.1...40.0xI _n	0.1xI _n	2.0xI _n	- Motor status monitoring - Machine thermal overload protection (T _m >; 49M) - Motor start monitoring (I _{st} >; 48) - Load jam protection (I _m >; 51M)	The motor's maximum overload current. Exceeding this setting stalls the motor. This setting defines when the thermal replica switches to the short (stall) time constant. As long as the current stays below this setting value, the motor should run even when overloaded.
Max overload current A	0.1...5000.0A	0.1A	-	- Motor status monitoring - Machine thermal overload protection (T _m >; 49M) - Motor start monitoring (I _{st} >; 48) - Load jam protection (I _m >; 51M)	The maximum overload current of the motor in amperes.

Name	Range	Step	Default	Prot.funcs.	Description
Hot condition theta limit	0.0...100.0%	0.1%	70%	- Motor status monitoring - Frequent start protection (N>; 48) - Machine thermal overload protection (Ist>; 48) - Load jam protection (Im>; 51M)	Setting the motor's thermal limit in a hot or a cold situation. When this setting value is not exceeded while a locked rotor situation occurs, the function uses a cold stall curve adjusted with the actually used thermal capacity. The function uses a hot stall curve when this setting value is exceeded. This setting also applies to starts when the hot/cold selection is in use. Please note that using this setting requires that the Machine thermal overload protection (Tm>) function is activated and in use.
Safe stall time cold	0.1...600.0s	0.1s	20.0s	- Motor status monitoring - Frequent start protection (N>; 48) - Machine thermal overload protection (Ist>; 48) - Load jam protection (Im>; 51M)	The safe stall time when the motor is cold. Unless this value is specified, it is set to be equal to the hot stall time. Most probably this leads to overprotection with the cold motor stall (best case scenario). This setting value is used for the cold thermal stall curve selection in automatic control. This parameter is also used in the motor start-up and the number of starts calculations.
Safe stall time hot	0.1...600.0s	0.1s	15.0s	- Motor status monitoring - Frequent start protection (N>; 48) - Machine thermal overload protection (Ist>; 48) - Load jam protection (Im>; 51M)	The safe stall time when the motor is hot. This setting value is used for the hot thermal stall curve selection in automatic control. This parameter is also used in the motor start-up and the number of starts calculations.

Table. 4.4.21 - 182. Pick-up settings.

Name	Description	Range	Step	Default
Iset	Pick-up setting	0.10...40.00xIn	0.10xIn	6.00xIn

The pick-up activation of the function is not directly equal to the START signal generation of the function. The START signal is allowed if the blocking condition is not active.

Operating time characteristics for trip and reset

This function supports definite time delay (DT). For detailed information on these delay types please refer to the chapter "[General properties of a protection function](#)" and its section "[Operating time characteristics for trip and reset](#)".

Read-only parameters

The relay's *Info* page displays useful, real-time information on the state of the protection function. It is accessed either through the relay's HMI display, or through the setting tool software when it is connected to the relay and its Live Edit mode is active.

Table. 4.4.21 - 183. Information displayed by the function.

Name	Range	Step	Description
Im> LN behaviour	1: On 2: Blocked 3: Test 4: Test/Blocked 5: Off	-	Displays the mode of MJP block. This parameter is visible only when <i>Allow setting of individual LN mode</i> is enabled in <i>General</i> menu.
Im> condition	0: Normal 1: Start 2: Trip 3: Blocked	-	Displays status of the protection function.
Expected operating time	0.000...1800.000s	0.005s	Displays the expected operating time when a fault occurs. When IDMT mode is used, the expected operating time depends on the measured highest phase current value. If the measured current changes during a fault, the expected operating time changes accordingly.
Time remaining to trip	-1800.000...1800.000s	0.005s	When the function has detected a fault and counts down time towards a trip, this displays how much time is left before tripping occurs.
I _{meas} /I _{set} at the moment	0.00...1250.00	0.01	The ratio between the highest measured phase current and the pick-up value.

Function blocking

The block signal is checked in the beginning of each program cycle. The blocking signal is received from the blocking matrix in the function's dedicated input. If the blocking signal is not activated when the pick-up element activates, a START signal is generated and the function proceeds to the time characteristics calculation.

If the blocking signal is active when the pick-up element activates, a BLOCKED signal is generated and the function does not process the situation further. If the START function has been activated before the blocking signal, it resets and the release time characteristics are processed similarly to when the pick-up signal is reset.

The blocking of the function causes an HMI display event and a time-stamped blocking event with information of the startup current values and its fault type to be issued.

The variables the user can set are binary signals from the system. The blocking signal needs to reach the device minimum of 5 ms before the set operating delay has passed in order for the blocking to activate in time.

Events and registers

The load jam protection function (abbreviated "MJP" in event block names) generates events and registers from the status changes in START, TRIP, and BLOCKED. The user can select which event messages are stored in the main event buffer: ON, OFF, or both.

The events triggered by the function are recorded with a time stamp and with process data values.

Table. 4.4.21 - 184. Event messages.

Event block name	Event names
MJP1	Start ON
MJP1	Start OFF
MJP1	Trip ON
MJP1	Trip OFF
MJP1	Block ON
MJP1	Block OFF

The function registers its operation into the last twelve (12) time-stamped registers. The register of the function records the ON event process data for START, TRIP or BLOCKED. The table below presents the structure of the function's register content.

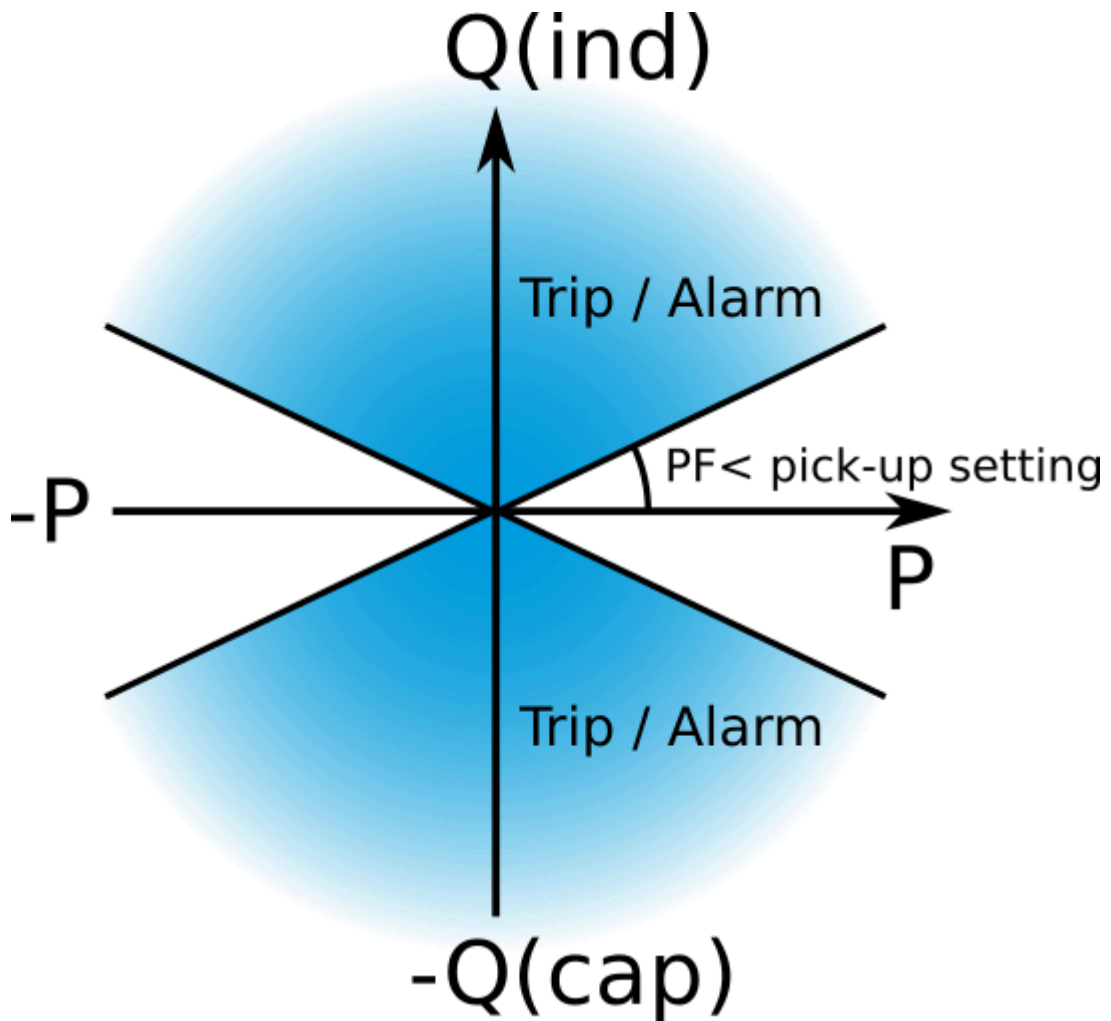
Table. 4.4.21 - 185. Register content.

Date and time	Event	Fault type	Pre-trigger current	Fault current	Pre-fault current	Trip time remaining	Used SG
dd.mm.yyyy hh:mm:ss.mss	Event name	L1-G...L1-L2-L3	Start/Trip -20ms current	Start/ Trip current	Start -200ms current	0 ms...1800s	Setting group 1...8 active

4.4.22 Power factor protection (PF<; 55)

The power factor protection function is the ratio of active power to apparent power ($\cos \phi = P/S$). In a fully resistive load the power factor is 1.00. In partially inductive loads the power factor is under 1.00. Power factor protection cannot detect a power factor value that is too low.

Figure. 4.4.22 - 117. Operating characteristics of power factor protection.



The power factor protection function uses a total of eight (8) separate setting groups which can be selected from one common source.

The operational logic consists of the following:

- input magnitude selection
- input magnitude processing
- saturation check
- threshold comparator
- block signal check
- time delay characteristics
- output processing.

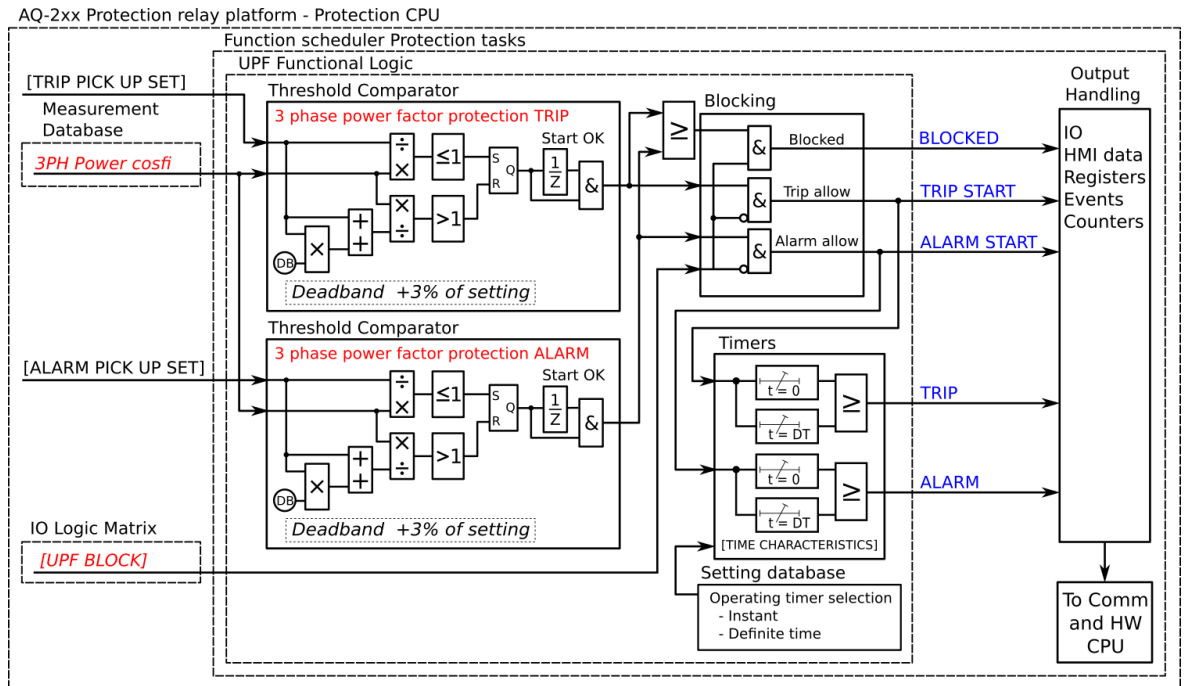
The inputs for the function are the following:

- operating mode selections
- setting parameters
- digital inputs and logic signals
- measured and pre-processed current magnitudes.

The function's outputs are ALARM START, ALARM, START, TRIP and BLOCKED signals which can be used for direct I/O controlling and user logic programming. The function generates general time-stamped ON/OFF events to the common event buffer from each of the five (5) output signals. In the instant operating mode the function outputs START and TRIP events simultaneously with an equivalent time stamp. The time stamp resolution is 1 ms. The function also provides a resettable cumulative counter for the ALARM START, ALARM, START, TRIP and BLOCKED events.

The following figure presents a simplified function block diagram of the power factor protection function.

Figure. 4.4.22 - 118. Simplified function block diagram of the PF> function.



Measured input

The function block uses power factor values. A -20 ms averaged value of the selected magnitude is used for pre-fault data registering.

Table. 4.4.22 - 186. Measurement inputs of the PF< function.

Signal	Description	Time base
3PH cos φ	Three-phase cos phi (power factor)	5ms

General settings

The following general settings define the general behavior of the function. These settings are static i.e. it is not possible to change them by editing the setting group.

Table. 4.4.22 - 187. General settings of the function.

Name	Range	Default	Description
PF< LN mode	1: On 2: Blocked 3: Test 4: Test/Blocked 5: Off	1: On	Set mode of UPF block. This parameter is visible only when <i>Allow setting of individual LN mode</i> is enabled in <i>General</i> menu.
PF< force status to	0: Normal 1: Start 2: Trip 3: Blocked 4: Alarm Start 5: Alarm	0: Normal	Force the status of the function. Visible only when <i>Enable stage forcing</i> parameter is enabled in <i>General</i> menu.

Pick-up

The *Pick-up setting PF< (lead or lag) Trip* and *Pick-up setting PF< (lead or lag) Alarm* setting parameters control the the pick-up of the PF< function. They define the minimum allowed power factor before action from the function. The function constantly calculates the ratio between the pick-up settings and the measured magnitude (power factor). The reset ratio of 103 % is built into the function and is always relative to the pick-up setting value.

Table. 4.4.22 - 188. Pick-up settings.

Name	Description	Range	Step	Default
Available modes	Enables or disables alarming.	0: Trips 1: Trips and alarms	-	1: Trips and alarms
Pick-up setting PF< (lead or lag) Trip	Pick-up setting for tripping	0.05...0.99	0.01	0.8
Pick-up setting PF< (lead or lag) Alarm	Pick-up setting for alarming. This parameter is only available when "Available modes" parameter has been set to "Trip and alarm".	0.05...0.99	0.01	0.9

The pick-up activation of the function is not directly equal to the START signal generation of the function. The START signal is allowed if the blocking condition is not active.

Read-only parameters

The relay's *Info* page displays useful, real-time information on the state of the protection function. It is accessed either through the relay's HMI display, or through the setting tool software when it is connected to the relay and its Live Edit mode is active.

Table. 4.4.22 - 189. Information displayed by the function.

Name	Range	Step	Description
------	-------	------	-------------

PF< LN behaviour	1: On 2: Blocked 3: Test 4: Test/Blocked 5: Off	-	Displays the mode of UPF block. This parameter is visible only when <i>Allow setting of individual LN mode</i> is enabled in <i>General</i> menu.
PF< condition	0: Normal 1: Start 2: Trip 3: Blocked 4: Alarm Start 5: Alarm	-	Displays status of the protection function.
Expected alarming time	0.000...1800.000s	0.005s	Displays the expected alarming time when a fault occurs.
Time remaining to alarm	0.000...1800.000s	0.005s	When the function has detected a fault and counts down time towards an alarm, this displays how much time is left before alarm is activated.
PF _{meas} / PF _{alarm} at the moment	0.00...1250.00	0.01	The ratio between the measured power factor and the alarm pick-up value.
Expected operating time	0.000...1800.000s	0.005s	Displays the expected operating time when a fault occurs.
Time remaining to trip	-1800.000...1800.000s	0.005s	When the function has detected a fault and counts down time towards a trip, this displays how much time is left before tripping occurs.
PF _{meas} / PF _{set} at the moment	0.00...1250.00	0.01	The ratio between the measured power factor and the pick-up value.

Function blocking

The block signal is checked in the beginning of each program cycle. The blocking signal is received from the blocking matrix in the function's dedicated input. If the blocking signal is not activated when the pick-up element activates, a START signal is generated and the function proceeds to the time characteristics calculation.

If the blocking signal is active when the pick-up element activates, a BLOCKED signal is generated and the function does not process the situation further. If the START function has been activated before the blocking signal, it resets and processes the release time characteristics similarly to when the pick-up signal is reset.

The blocking of the function causes an HMI display event and a time-stamped blocking event with information of the startup current values and its fault type to be issued.

The variables the user can set are binary signals from the system. The blocking signal needs to reach the device minimum of 5 ms before the set operating delay has passed in order for the blocking to activate in time.

Operating time characteristics for trip and reset

This function supports definite time delay (DT). For detailed information on these delay types please refer to the chapter "[General properties of a protection function](#)" and its section "[Operating time characteristics for trip and reset](#)".

Events and registers

The power factor protection function (abbreviated "UPF" in event block names) generates events and registers from the status changes in ALARM START, ALARM, START, TRIP and BLOCKED. The user can select which event messages are stored in the main event buffer: ON, OFF, or both.

The events triggered by the function are recorded with a time stamp and with process data values.

Table. 4.4.22 - 190. Event messages.

Event block name	Event names
UPF1	Block ON
UPF1	Block OFF
UPF1	Start ON
UPF1	Start OFF
UPF1	Trip ON
UPF1	Trip OFF
UPF1	Alarm Start ON
UPF1	Alarm Start OFF
UPF1	Alarm ON
UPF1	Alarm OFF

The function registers its operation into the last twelve (12) time-stamped registers. The register of the function records the ON event process data for START, TRIP or BLOCKED. The table below presents the structure of the function's register content.

Table. 4.4.22 - 191. Register content.

Date and time	Event	Pre-trigger PF	Fault PF	Pre-fault PF	Trip time remaining	Used SG
dd.mm.yyyy hh:mm:ss.mss	Event name	Start/Trip -20ms power factor	Start/Trip power factor	Start -200ms power factor	0 ms...1800s	Setting group 1...8 active

4.4.23 Machine thermal overload protection (TM>; 49M)

The thermal overload protection function for machines is used for the thermal capacity monitoring and protection of electric machines like synchronous and asynchronous motors and generators. This function can also be used for any applications with single or multiple time constants, such as inductor chokes, certain types of transformers and any other static units which do not have active cooling apart from cables and overhead lines.

The function constantly monitors the instant values of phase TRMS currents (including harmonics up to 31st) and calculates the set thermal replica status in 5 ms cycles. The function includes a total memory function of the load current conditions according to IEC 60255-8.

The function is based on a thermal replica which represents the protected object's thermal loading in relation to the effective current in the object. The thermal replica includes the calculated thermal capacity that the "memory" uses; it is an integral function which tells apart this function from a normal overcurrent function and its operating principle for overload protection applications.

In heating and cooling situations the thermal image for this function is calculated according to the two equations described below:

Figure. 4.4.23 - 119. Long time constant thermal image calculation.

$$\theta_{tL} = \left(\left(\theta_{t-1} - \left(\frac{I_{EM}}{I_N \times k_{SF} \times k_{AMB}} \right)^2 \times e^{-\frac{t}{\tau_{1h}/\tau_{1c0}/\tau_{1cr}}} \right) + \left(\frac{I_{EM}}{I_N \times k_{SF} \times k_{AMB}} \right)^2 \right) \times (1 - W_f)$$

Where:

- θ_{t-1} = Thermal image status in a previous calculation cycle (the memory of the function)
- I_{EM} = (see below)
- I_N = Current for the 100 % thermal capacity to be used (pick-up current in p.u., with this current t_{max} achieved in time t)
- k_{SF} = Loading factor (service factor) coefficient, the maximum allowed load current in p.u., depending on the protected object
- k_{AMB} = Temperature correction factor, either from a linear approximation or from a settable ten-point thermal capacity curve
- e = Euler's number
- t = Calculation time step in seconds (0.005 s)
- τ_{1h} = Long thermal heating time constant of the protected object (in minutes)
- τ_{1c0} = Long thermal cooling time constant (motor stopped) of the protected object (in minutes)
- τ_{1cr} = Long thermal cooling time constant (motor running) of the protected object (in minutes)
- W_f = Correction factor between the times t_1 and t_2

Figure. 4.4.23 - 120. Short time constant thermal image calculation.

$$\theta_{tS} = \left(\left(\theta_{t-1} - \left(\frac{I_{EM}}{I_N \times k_{SF} \times k_{AMB}} \right)^2 \times e^{-\frac{t}{\tau_{2h}/\tau_{2c}}} \right) + \left(\frac{I_{EM}}{I_N \times k_{SF} \times k_{AMB}} \right)^2 \right) \times W_f$$

Where:

- θ_{t-1} = Thermal image status in a previous calculation cycle (the memory of the function)
- I_{EM} = (see below)
- I_N = Current for the 100 % thermal capacity to be used (pick-up current in p.u., with this current t_{max} achieved in time t)
- k_{SF} = Loading factor (service factor) coefficient, the maximum allowed load current in p.u. value, depending on the protected object
- k_{AMB} = Temperature correction factor, either from a linear approximation or from a settable ten-point thermal capacity curve
- e = Euler's number
- t = Calculation time step in seconds (0.005 s)
- τ_{2h} = Short thermal heating time constant of the protected object (in minutes)
- τ_{2c} = Short thermal cooling time constant of the protected object (in minutes)
- W_f = Correction factor between the times t_1 and t_2

The equation below is that of the effective current of the protected object including the TRMS measurement maximum phase current as well as a possible phase current unbalance condition.

$$I_{EM} = \sqrt{\left(\left(1 + \left(\frac{I_2}{I_1} \right)^2 \times k_{NPS} \right) \times I_{MAX}^2 \right)}$$

Where:

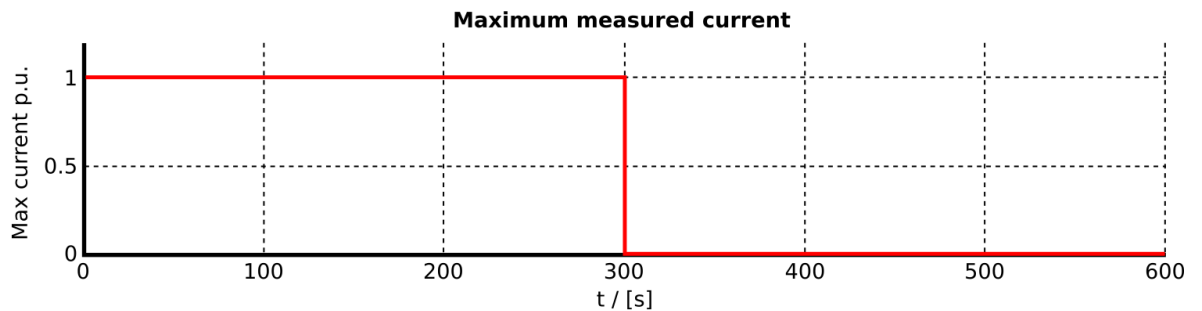
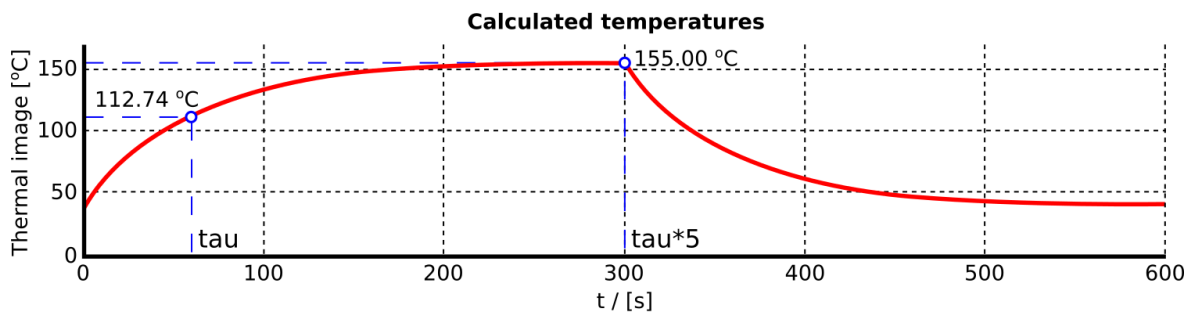
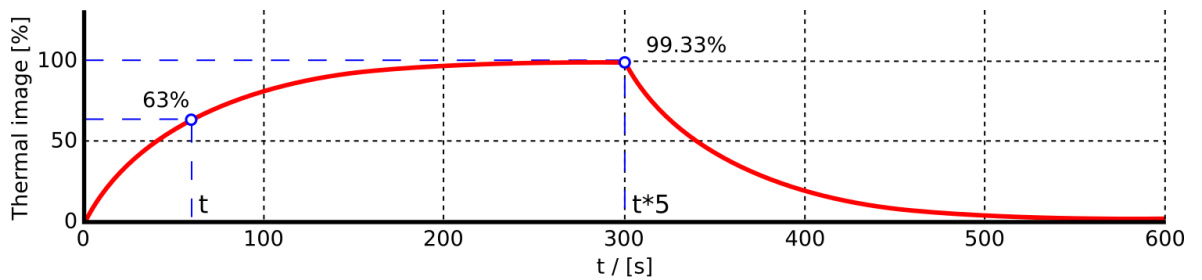
- I_1 = Calculated positive sequence current of the measured RMS phase currents
- I_2 = Calculated negative sequence current of the measured RMS phase currents
- k_{NPS} = Correction factor of the NPS current biasing to the equivalent current calculation
- I_{MAX} = Measured maximum of the three TRMS phase currents

The thermal image status ($\theta_t\%$, in percentages of the maximum thermal capacity used) calculation is based on the sum of the long and short time constant thermal image calculation:

$$\theta_{t\%} = (\theta_{tL} + \theta_{tS}) \times 100\%$$

The basic operating principle of the thermal replica is based on the nominal temperature rise, which is achieved when the protected object is loaded with a nominal load in a nominal ambient temperature. When the object is loaded with a nominal load for a time equal to its heating constant tau (τ), 63% of the nominal thermal capacity is used. When the loading continues until five times this given constant, the used thermal capacity approaches 100 % indefinitely but never exceeds it. With a single time constant model the cooling of the object follows this same behavior, the reverse of the heating when the current feeding is completely zero.

Figure. 4.4.23 - 121. Thermal image calculation with nominal conditions: single time constant thermal replica.



Settings

- | | |
|--------------------|--------------------------------|
| Qt-1 = 0.01 % | Max. temperature rise = 115 °C |
| tau = 1.00 minutes | Ambient temperature = 40 °C |
| Serv.Fact = 1.00 | Max End. Temp = 155.00 °C |
| | Temp k fact = 1.00 |

The described behavior is based on the assumption that the monitored object has a homogenous body which generates and dissipates heat with a rate proportional to the temperature rise caused by the current squared. Installation conditions considering the prevailing conditions in the thermal replica are compensated with the ambient temperature coefficient which is constantly calculated and changing when using RTD sensor for the measurement. When the ambient temperature of the protected object is stable it can be set manually.

The ambient temperature compensation takes into account the set minimum and maximum temperatures and the load capacity of the protected object as well as the measured or set ambient temperature. The formulas below present examples of the calculation of the ambient temperature coefficient (a linear correction factor to the maximum allowed current):

$$t_{Amb < t_{min}} = k_{min}$$

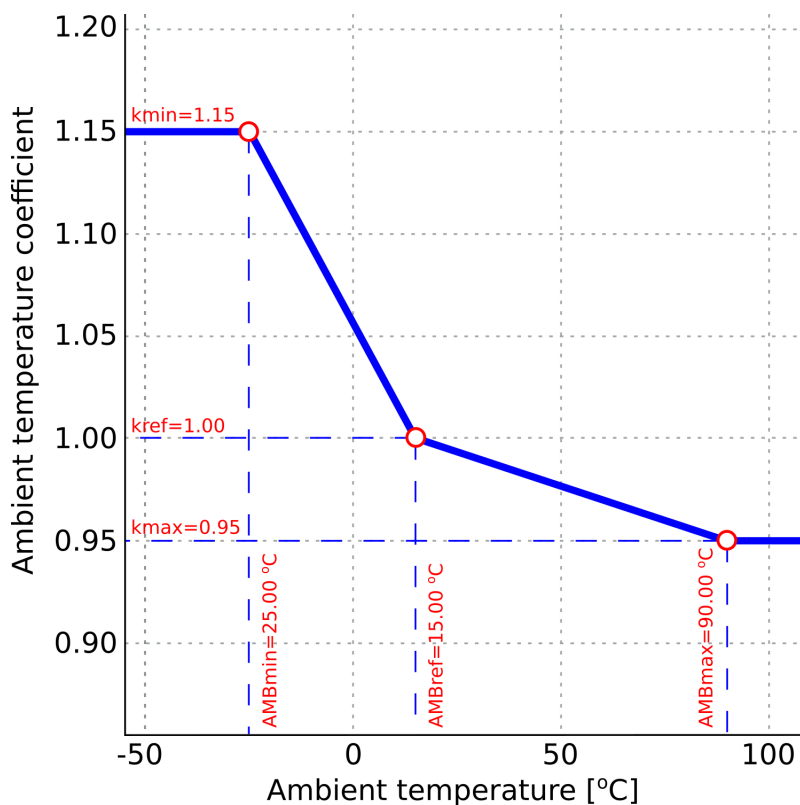
$$t_{Amb < t_{ref}} = \left(\frac{1 - k_{min}}{t_{ref} - t_{min}} \times (t_{AMB} - t_{min}) \right) + k_{min}$$

$$t_{Amb > t_{ref}} = \left(\frac{k_{max} - 1}{t_{max} - t_{ref}} \times (t_{AMB} - t_{ref}) \right) + 1.0$$

$$t_{Amb > t_{max}} = k_{max}$$

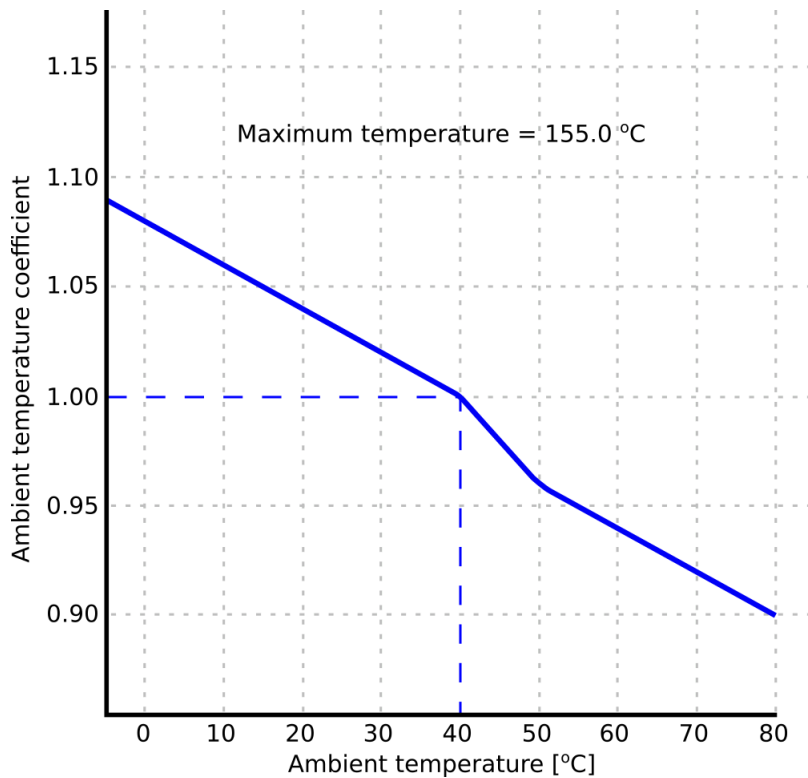
- t_{amb} = Measured (set) ambient temperature (can be set in °C or °F)
- t_{max} = Maximum temperature (can be set in °C or °F) for the protected object
- k_{max} = Ambient temperature correction factor for the maximum temperature
- t_{min} = Minimum temperature (can be set in °C or °F) for the protected object
- k_{min} = Ambient temperature correction factor for the minimum temperature
- t_{ref} = Ambient temperature reference (can be set in °C or °F, the temperature in which the given manufacturer presumptions apply and the temperature correction factor is 1.0)

Figure. 4.4.23 - 122. Ambient temperature coefficient calculation (linear approximation, three points).



This ambient temperature coefficient relates to a nominal reference temperature. The default is +40 °C (the standard ambient temperature rating for machines) which gives the coefficient value of 1.00 for the thermal replica. The settable thermal capacity curve uses linear interpolation for ambient temperature correction with a maximum of ten (10) pairs of temperature–correction factor pairs. The temperature and coefficient pairs are set to the TM> function's settable correction curve.

Figure. 4.4.23 - 123. Ambient temperature coefficient calculation (linear approximation, indefinite points).



As mentioned in the previous diagram, the reference temperature for electric machines usually is +40 °C; this gives a correction coefficient of 1.00 which can be referred to as the nominal temperature in this case. The correction curve does not need to be set with as many points as there are available. The minimum setting is two pairs and the result is a straight line, for which the linear approximation is the better choice.

Multiple time constants

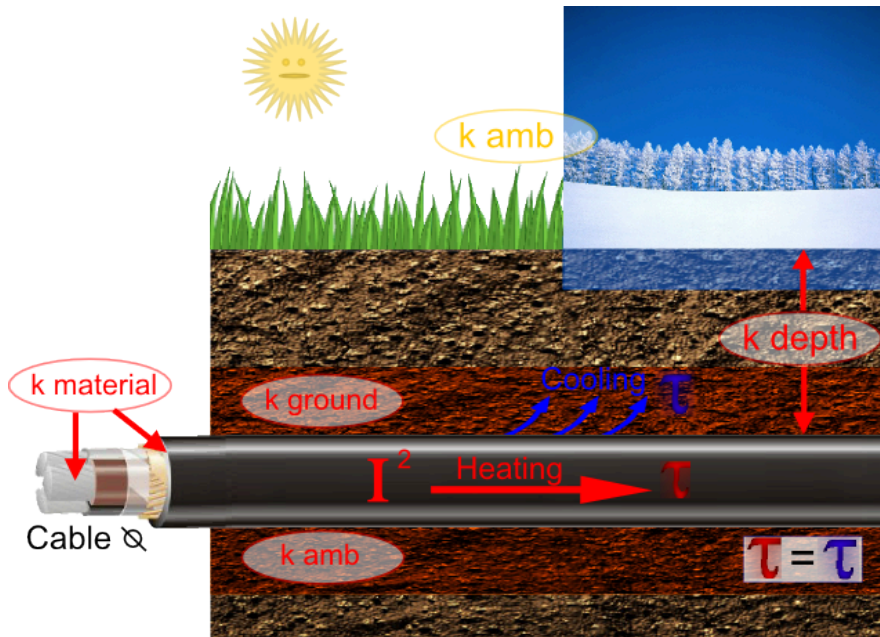
The thermal behaviour of the single time constant model was presented in the introduction of this chapter. However, it is not the optimal solution for electric machines, especially when the motor is stopped and started frequently. The following explains the main reasons as well as the differences between the single and the multiple time constant models.

By the terms of electrical machine the thermal behavior and time constants varies in between of heating and cooling as well as at certain point within heating and cooling when the loading current is decreased or increased instantly to minimum or maximum. In practice this means that the thermal replica needs to have more settable time constants than one common constant for heating and cooling, as is the case with single time constant objects like cables.

The most common practice is to separate the minimum settable time constants for heating and cooling. The main reason for this is fairly simple: the rotating machine (especially a motor) usually has a cooling fan in the same shaft with its drive, and it cools both the motor and its own surface when the motor is running. Unfortunately, the cooling stops when the motor stops, and the time constant becomes longer as the heat is slower to dissipate into the surrounding air. The cooling time constant (τ_c) may be the same as the heating time constant (τ_h) if the machine has active cooling. Additionally, the starting method (DOL/Soft start/Y-delta) also tells whether there is a need for another time constant (locked rotor, overloading situations) in order to achieve a suitable thermal image for the machine.

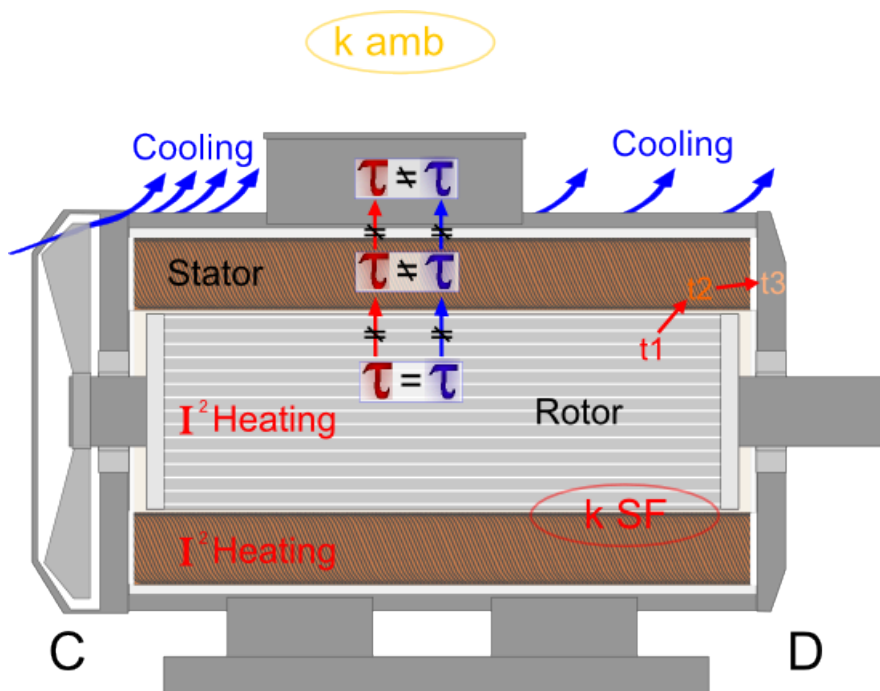
The following figure presents the various differences to consider when solve the time constants in the motor (as compared to single time constant objects like cables).

Figure. 4.4.23 - 124. Factors affecting the cooling and current-carrying capacity of a cable.



The current-carrying capacity of a cable mostly depends on the conductor's material and its diameter. The second most important factor is the cable's insulating material and how much it can withstand temperature. As can be seen in the image above, all factors (apart from the air temperature) are quite stable, especially when the cable lies below the ground frost limit in places where the outside temperature can dip well below 0 °C. The heat conduction from the cable into the surrounding ground is the same, regardless whether the cable is heating or cooling. The composition of the soil defines how well the ground conducts heat. However, these loading factors only affect the maximum current-carrying capacity of the cable; they are not the cable's time constants. The only time constant to consider is the heating time constant, which is equal to the cooling time constant for underground cables.

Figure. 4.4.23 - 125. Simplified motor construction and time constants.



Any normal induction machine such as electric motors have the following major components:

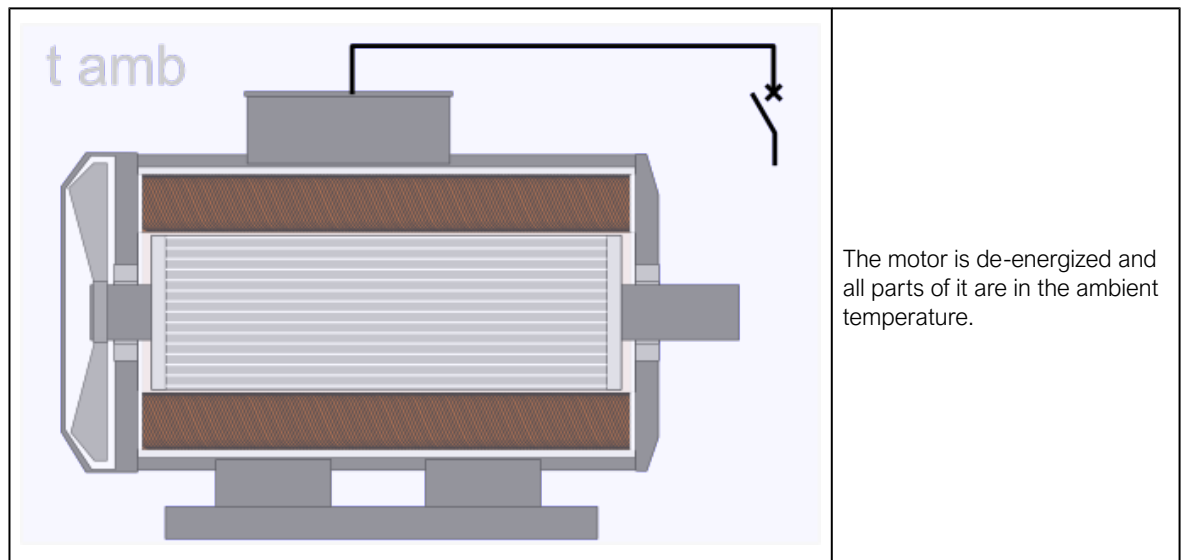
- the rotor: rotates, its shaft used as a power outlet for the motor (drive end),
- the stator: generates the electromagnetic field which induces into the rotor and makes it rotate (hence the name "induction motor"),
- the body: contains the stator and rotor.

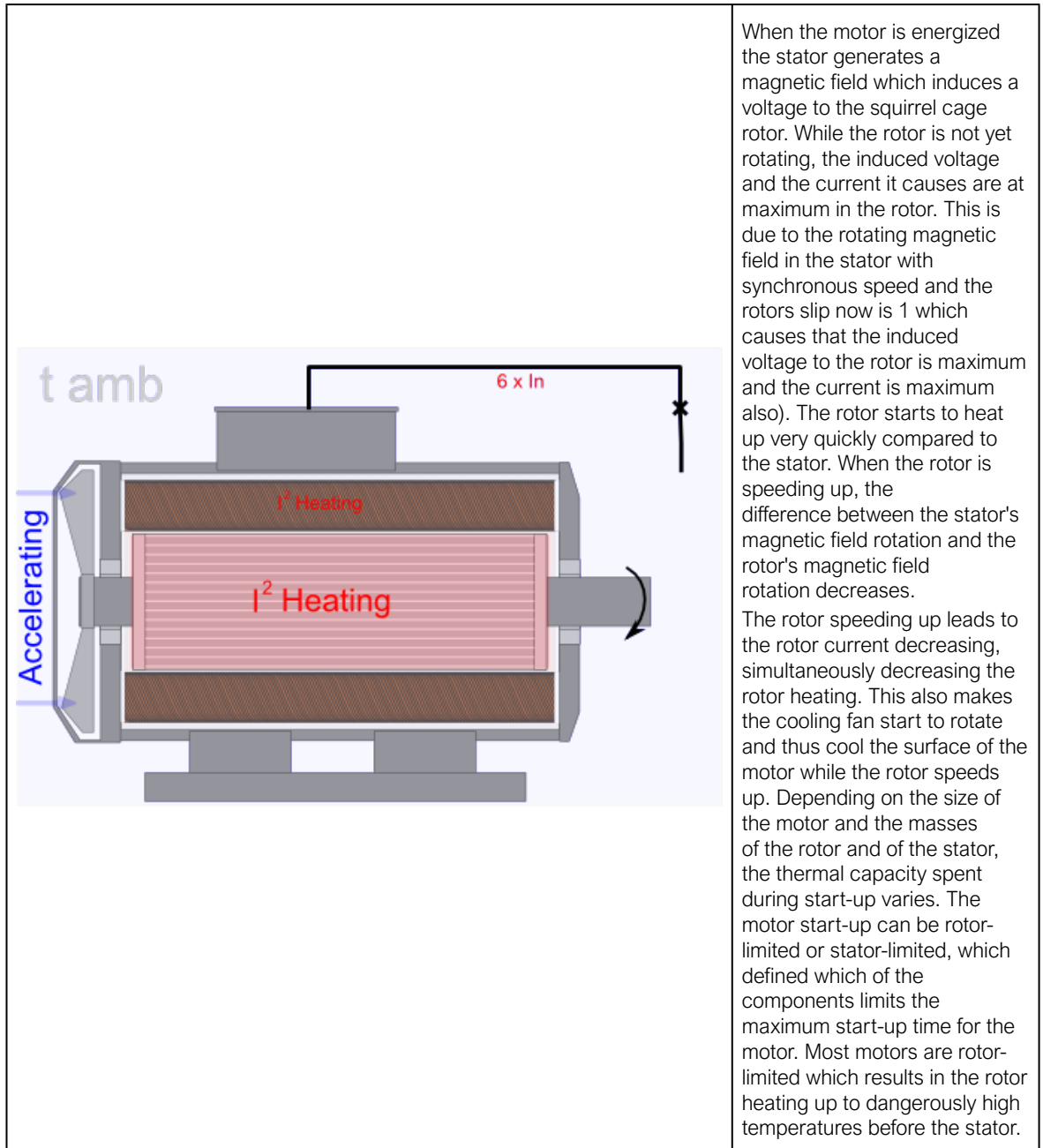
Motors always have some kind of a cooling system. The most common cooling system is the rotor's shaft-mounted fan (cooling end). Bigger motors or slowly rotating motors can have additional fans or liquid cooling.

By observing motor thermal properties, one can find several very different components which all have their own thermal time constants. The rotor has a constant that is the same for both heating and cooling ($\tau_h = \tau_c$), the stator has a constant where the heating time constant is different from the cooling constant ($\tau_h \neq \tau_c$), and even the motor body has its own time constant for heating and cooling. Keeping the rotor and the stator from being overheated are required for the overall motor protection as it can cause insulator damage in the stator and melt the rotor bars. Both of these faults result in the malfunction of the motor.

When considering the thermal behavior, one can see another fundamental difference between single and multiple time constant objects like cables and electric motors. While the cable loading may vary during the operating conditions, currents higher than the nominal current are not part of the normal usage but always indicate a fault of some sort. Motor with direct-on-line (DOL) starting have a high starting current (up to $6-7 \times I_n$) and heat generation that are part of its normal operation and happen every time the motor is started. The following figure describes the process of motor heating from the ambient temperature to the nominal temperature with direct-on-line (DOL) starting.

Table. 4.4.23 - 192. Motor heating during DOL starting.





When the motor is energized the stator generates a magnetic field which induces a voltage to the squirrel cage rotor. While the rotor is not yet rotating, the induced voltage and the current it causes are at maximum in the rotor. This is due to the rotating magnetic field in the stator with synchronous speed and the rotors slip now is 1 which causes that the induced voltage to the rotor is maximum and the current is maximum also). The rotor starts to heat up very quickly compared to the stator. When the rotor is speeding up, the difference between the stator's magnetic field rotation and the rotor's magnetic field rotation decreases. The rotor speeding up leads to the rotor current decreasing, simultaneously decreasing the rotor heating. This also makes the cooling fan start to rotate and thus cool the surface of the motor while the rotor speeds up. Depending on the size of the motor and of the masses of the rotor and of the stator, the thermal capacity spent during start-up varies. The motor start-up can be rotor-limited or stator-limited, which defined which of the components limits the maximum start-up time for the motor. Most motors are rotor-limited which results in the rotor heating up to dangerously high temperatures before the stator.

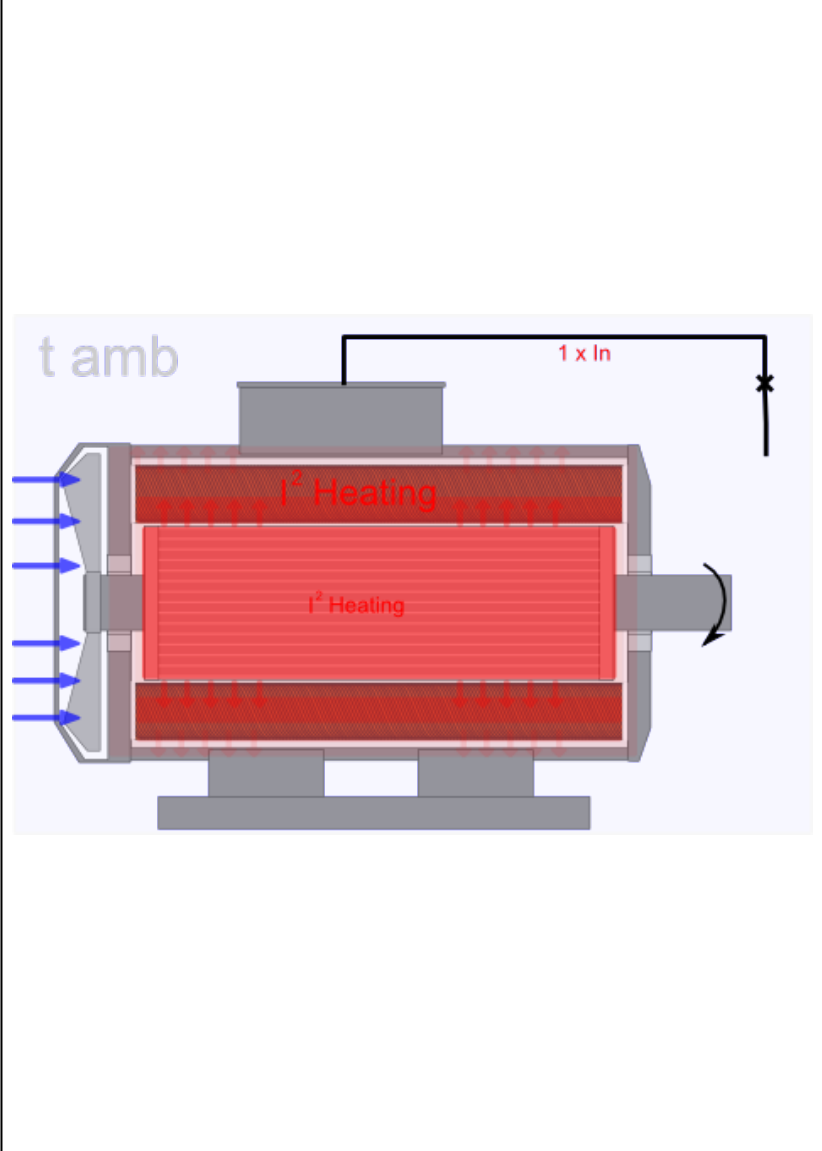
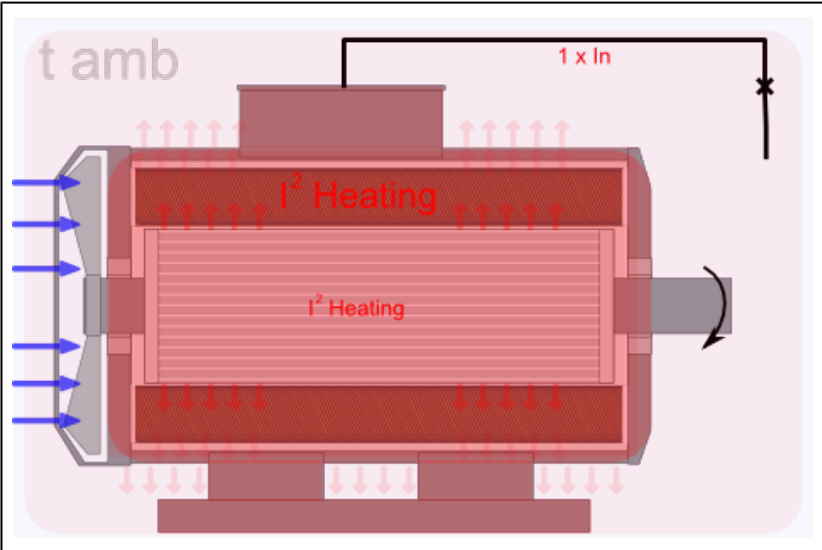
	<p>Once the motor has started and is running with or without a load, the heat generation is switched between the rotor and the stator. When the rotor's rotating is within the range of the nominal slip, the magnetic fields of the rotor and the stator "cut" within the nominal designed range and therefore the voltage and the current it causes in the rotor are also within the nominal range. Now, when the motor is loaded or overloaded while still rotating, the generated overheating is only experienced by the stator (unless the load is so big that it stalls the motor and the motor thinks it is back at the start with a non-rotating rotor). The cooling of the motor with a rotor shaft-mounted fan is operational after the starting. Additionally, the stator windings conduct the heat generated in the rotor during starting and into the motor's body. This heat transfer (rotor to stator, stator to body) also depends on the masses of motor's components. In big motors the body can be slightly warm while the rotor and/or stator have completely melted because they have not been able to transfer the heat quickly enough into the body.</p>
---	---

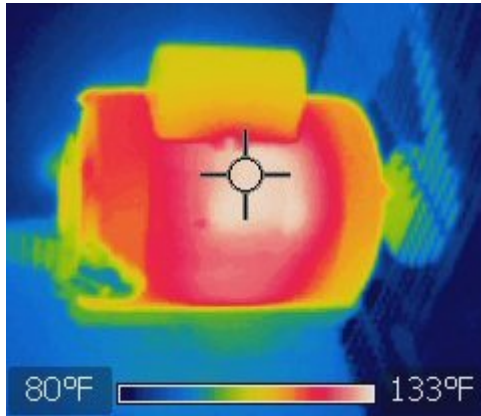
Table. 4.4.23 - 193. Motor heating during overloading and motor cooling.

	<p>The motor is said to be running in its nominal temperature, when the motor is run with a nominal load, it has enough time for the temperatures to stabilize (5 x time constant) and the final temperatures are reached. Now, the heat transfer is stabilized and the heat generated in the motor is transferred to the surrounding air and the temperatures of the internal components are not increasing any longer.</p>
--	--

	<p>If the motor is overloaded, the stator winding starts to heat up according to its heating time constant. If the overload is not released in time, it can lead to the melting of the stator's winding insulations which in turn leads to a short-circuit; the motor is said to "burn". This situation does not differ much from the rotor's nominal conditions. When the load increases, the slip increases slightly as well and causes a small increase to the induced voltage and current. However, when rotating the heating does not differ significantly from the nominal load.</p>
	<p>When a hot motor is de-energized the temperatures inside the motor start to stabilize. The hottest part of the motor is the rotor: its heat is transferred to the motor body through the stator windings and from the body to the surrounding air. This is why it seems that the motor body's temperature keeps rising even after a surface-cooled motor is stopped. The stopped motor cooling follows the same equation than heating, with one exception: when the surrounding air is not moving (as the fan has stopped) and the air temperature is increasing, the cooling is faster in the beginning and slows over time as the temperature difference decreases (since heat is transferred slower than in the beginning of the cooling). When the motor is run with a cyclic load, the start and stop applications for the cooling of the motor have to be modeled accurately in the thermal replica in order to avoid a situation where the calculated used thermal capacity "runs" from the actual used thermal capacity causing the protection to overshoot significantly.</p>

The previous figures presented the thermal behavior of a motor on a theoretical level. In reality, the temperature of a rotor inside the motor windings can also be measured with RTD elements. The rotor temperature is highest on the drive end because the cooling is the weakest there (as can be seen in the image below).

Figure. 4.4.23 - 126. Running motor's temperature with thermal image camera.



Measuring the rotor's temperature is very complicated due to its rotating nature. This is why normally there are no measurements available and why the protection of the rotor always requires a calculated thermal image. Relying solely on the measurements from RTDs installed in the motor's stator windings is not recommended as they may not be in the actual hot spot and thus give false readings. For these reasons motor protection should not be either thermal images or RTDs but rather a combination of them both for accurate monitoring of the motor's temperature.

Thermal image modeling in protection relays requires certain things to be ensured for the model to correctly match the motor thermal behavior. As was seen in the previous section, a motor usually has many states which differ from one another in terms of heating and of the parts in danger of damage. Sometimes the thermal image needs to be adjusted and fine-tuned for the application so that it matches the motor's actual temperature perfectly. This is why the thermal replica needs to offer enough setting points for various situations where the motor may be running at that time. The relay needs to recognize these situations so that the thermal model can be updated correctly.

Thermal image characteristics and operating modes

To demonstrate the various settings available in the thermal image, the following figure presents the data from a field test: a motor was loaded with a stable load, run until the final temperature was reached and then de-energized and left to cool. The motor temperature was monitored with RTDs installed into the drive end of the relay. The motor was loaded with a nominal current, its service factor was 1.15 and the ambient temperature was measured to be 24 degrees Celsius. In this case the motor was started without a load, and the loading was increased directly after starting in order to concentrate the heating effects of stable loading.

Figure. 4.4.23 - 127. Measured motor temperature in heating/cooling test.

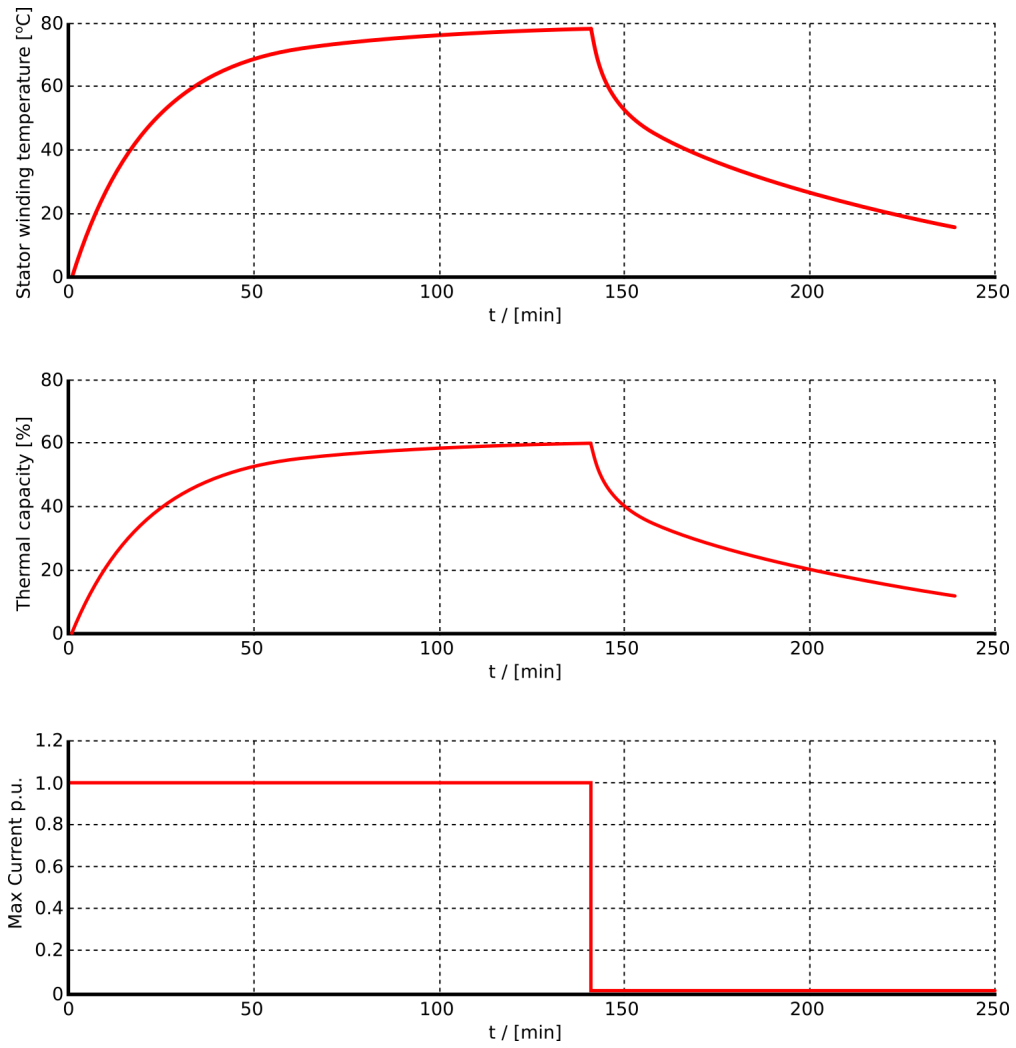
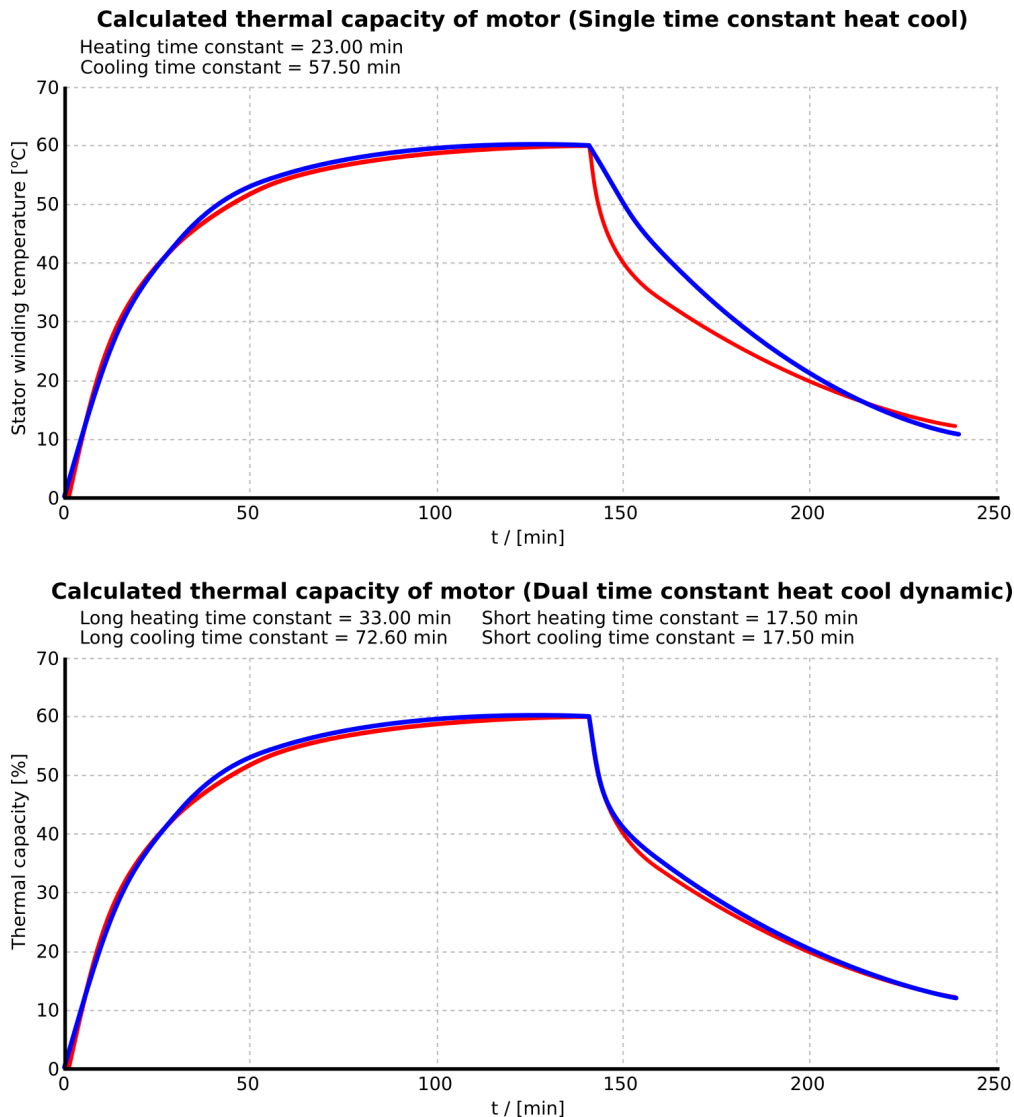


Figure. 4.4.23 - 128. Matching thermal replicas to the measured thermal capacity of the motor.

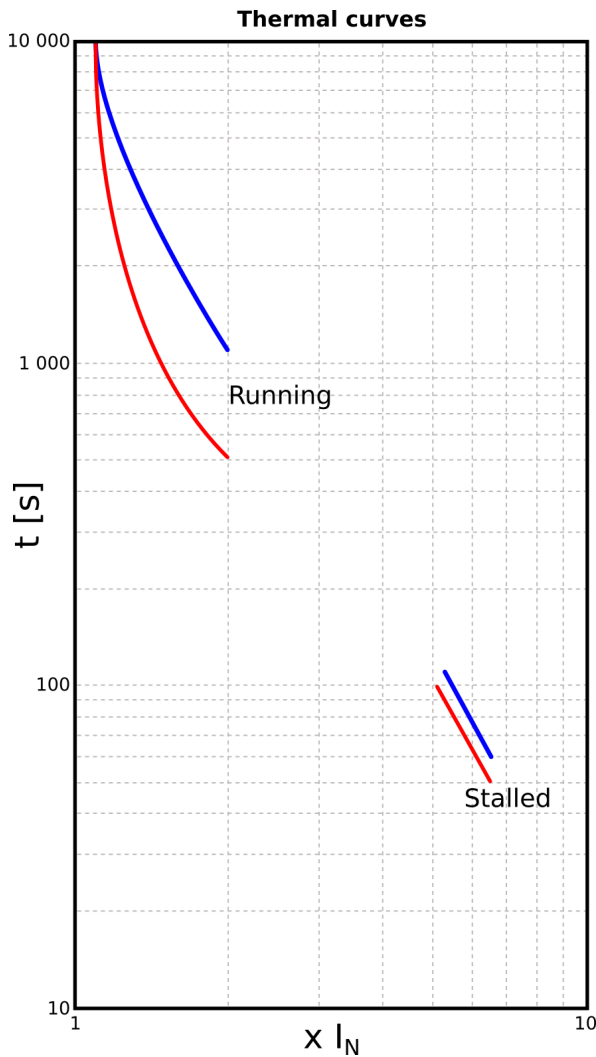


As can be seen in the figures above, when the motor is loaded with a constant current both of the replicas (single and dual time constant) follow the motor heating quite accurately. The operational difference is during cooling. With a single cooling time constant the replica does not follow the actual cooling of the motor and the match can be said to be very poor. With dynamically-controlled cooling time constants the match is very accurate. If this motor were used for cyclic loads with repeating cooling times, the single time constant model would stretch into the next duty cycle and probably cause unnecessary alarms or even trips even though the motor were still running in safe temperatures.

Thermal trip curves

Motor thermal curves are useful when studying motor heating in possible overload and start-up situations. These are usually available upon request from manufacturers, and the relay operation can be set according to these.

Figure. 4.4.23 - 129. Example of thermal limit curves in a motor.



From motor thermal limit curves –if available– one can see the time constants for overloading as well as the safe stall times for hot and cold situations. Additionally, the cooling time constant must be checked from the motor datasheet or alternatively measured. From the image above one can estimate the safe stall time in cold situations to be approximately 80 seconds, and in hot situation approximately 67 seconds. When the thermal limit curves are available, the operation of the thermal replica can be set very accurately for both overloading and stall conditions.

The cooling time constant as presented in the previous example is very crucial in the case of variable duty cycle motor applications. If the motor is continuously running with a constant load, the cooling time constant is not that significant and can be estimated to be e.g. two to three times longer than the heating time constant.

Figure. 4.4.23 - 130. Comparing single time constant thermal replica tripping curves to given motor thermal characteristics.

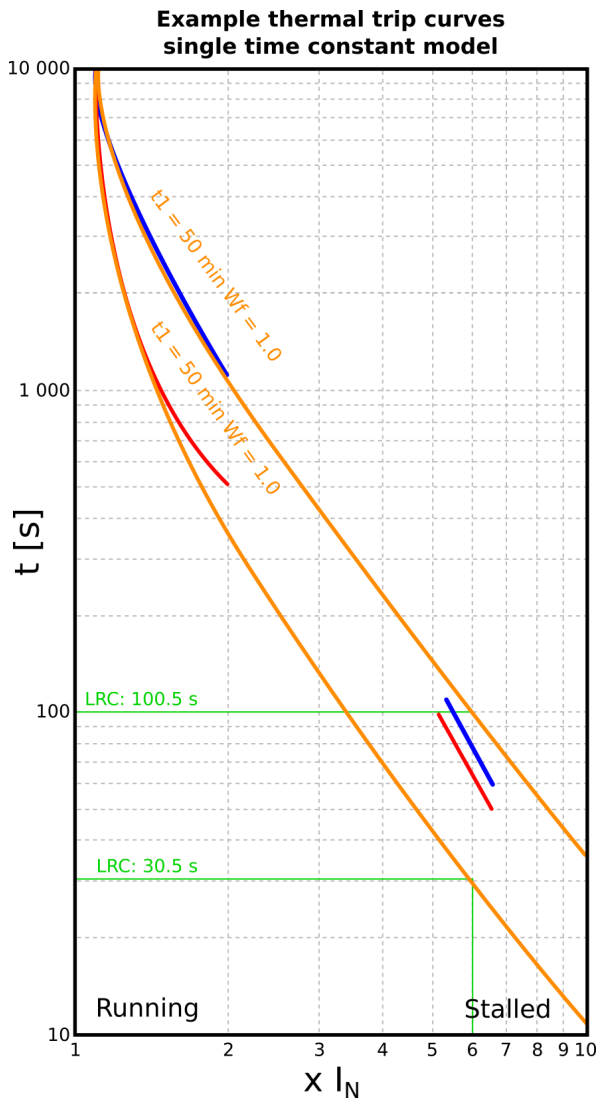
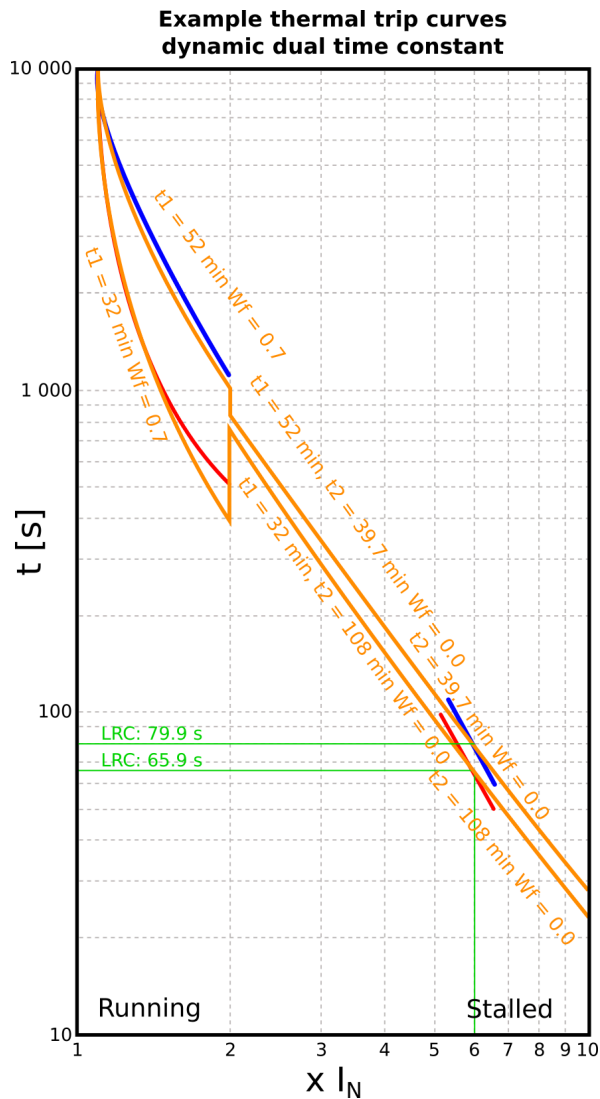


Figure. 4.4.23 - 131. Comparing dual time constant thermal replica tripping curves to given motor thermal characteristics.



As the figures above have shown, with estimated time constants from the motor thermal limit curves the single time constant model underprotects the motor in the stall condition when the motor is cold. When the motor is hot the model overprotects with a heavy hand, allowing the motor only 30.5 seconds of stalling time of the approximately 67 seconds the motor can withstand. When dual time constants and dynamic time constants are in use, the relay automatically selects the correct tripping curves for the thermal replica according to the settings, producing therefore an exact thermal image response (as compared to the single time constant thermal image). In overload conditions the response from both of the thermal replicas is acceptable as even a small overshoot is noticed when the motor is hot. In the curve simulations the hot condition was defined as 70 % of the thermal capacity.

The following figures present the tripping and cooling curves of the thermal replica.

Version: 2.09

Figure. 4.4.23 - 132. Thermal tripping curves with single time constant, pre-load 0% (cold).

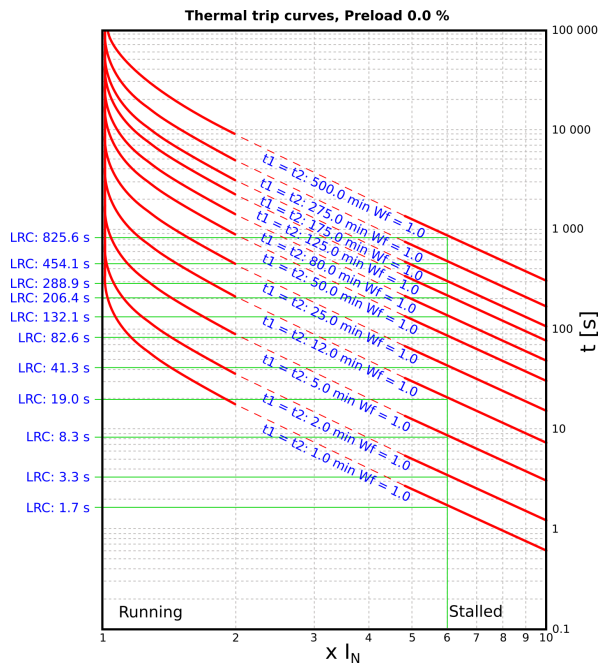


Figure. 4.4.23 - 133. Thermal tripping curves with single time constant, pre-load 90% (hot).

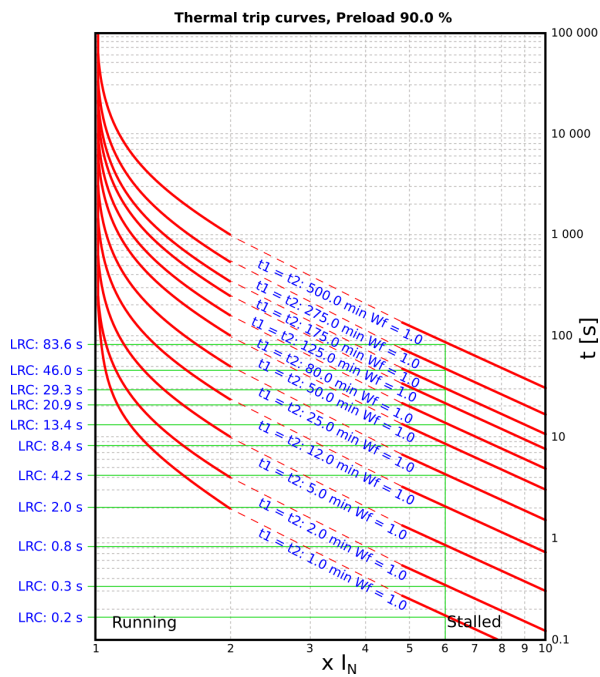


Figure. 4.4.23 - 134. Thermal tripping curves with dual dynamic time constants and correction factor, pre-load 0% (cold)

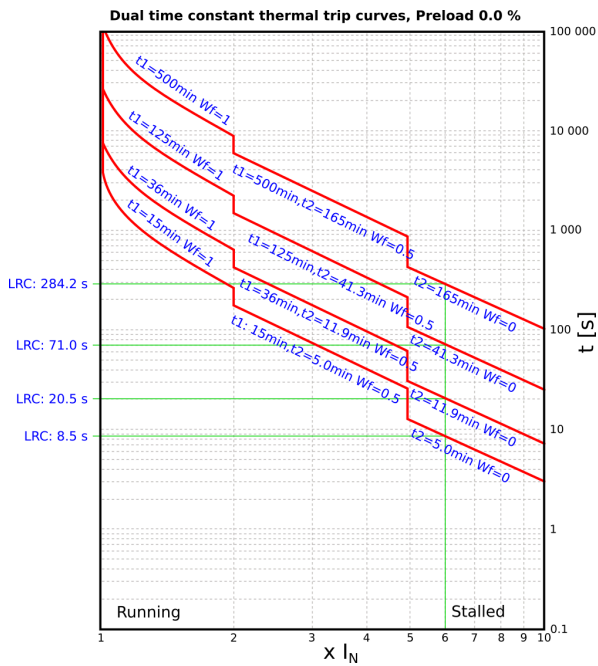


Figure. 4.4.23 - 135. Thermal tripping curves with dual dynamic time constants and correction factor, pre-load 90% (hot).

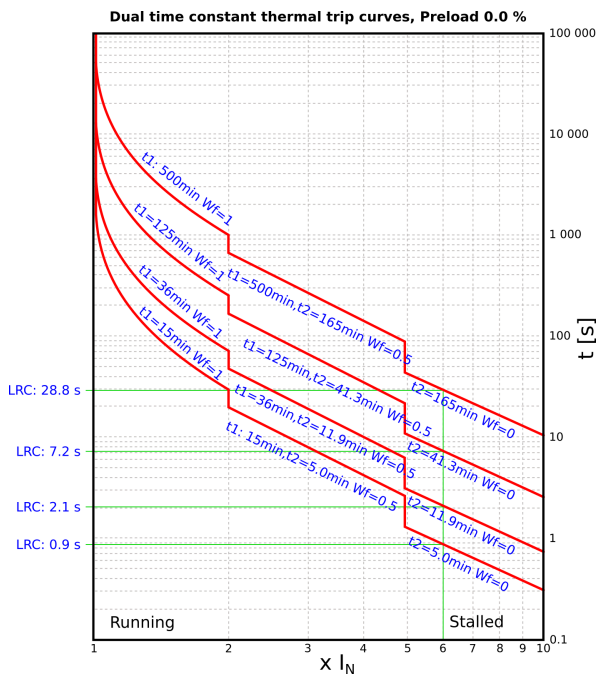


Figure. 4.4.23 - 136. Thermal cooling curves, single cooling time constant.

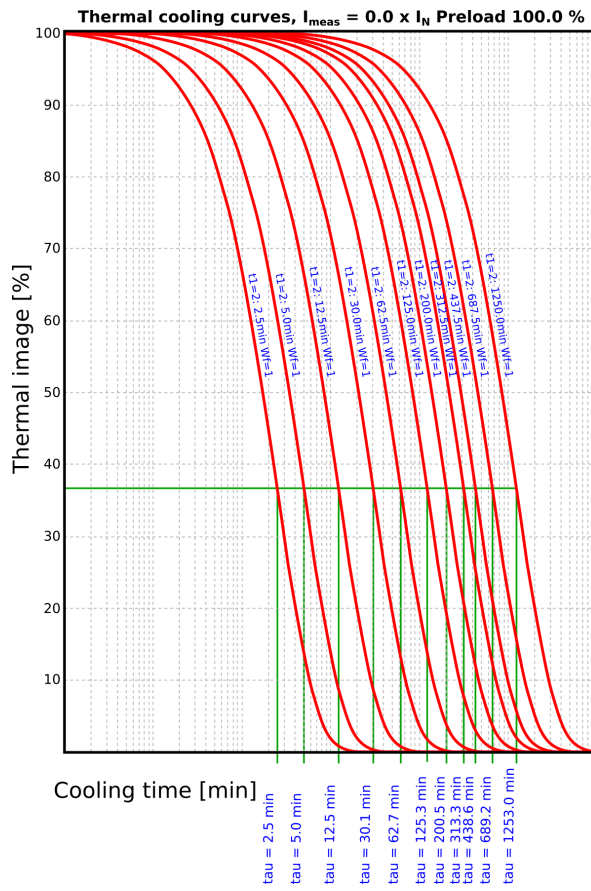


Figure. 4.4.23 - 137. Thermal cooling curves, dynamic dual time constant.

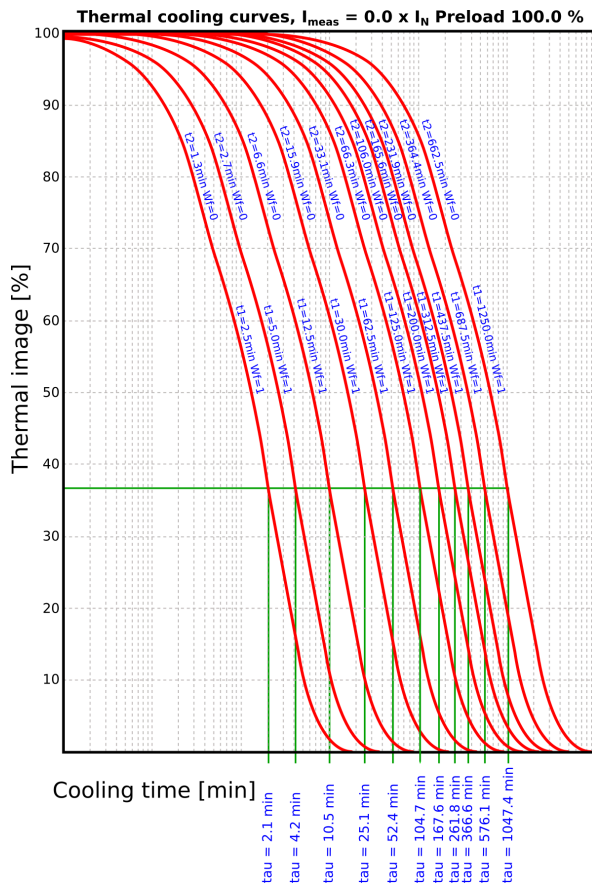


Figure. 4.4.23 - 138. Thermal cooling curves, dynamic triple time constant (motor is running without load in the first part with dedicated time constant).

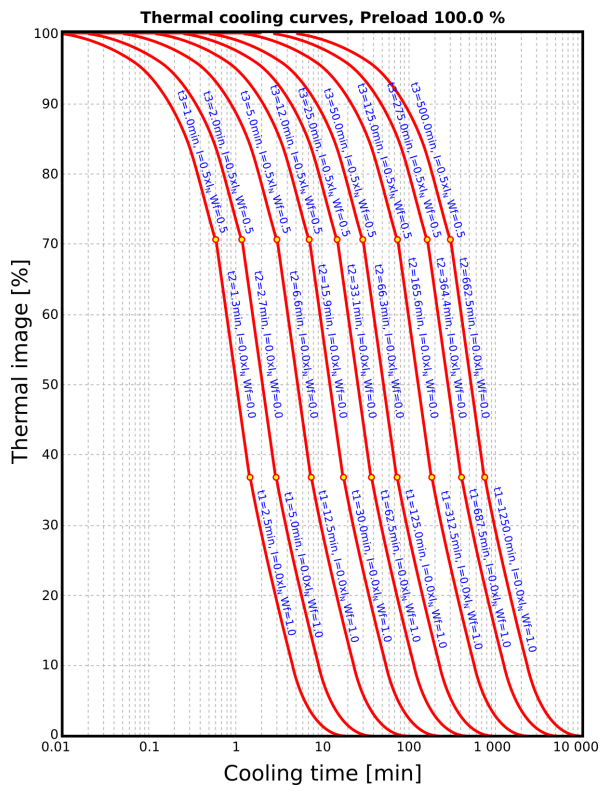


Figure. 4.4.23 - 139. NPS-biased thermal trip curves with k_{NPS} value of 1.

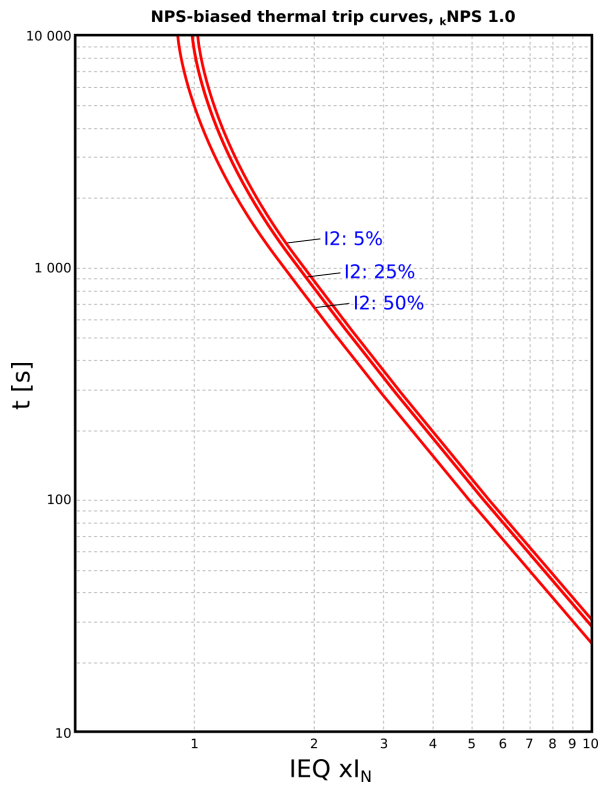


Figure. 4.4.23 - 140. NPS-biased thermal trip curves with k_{NPS} value of 3.

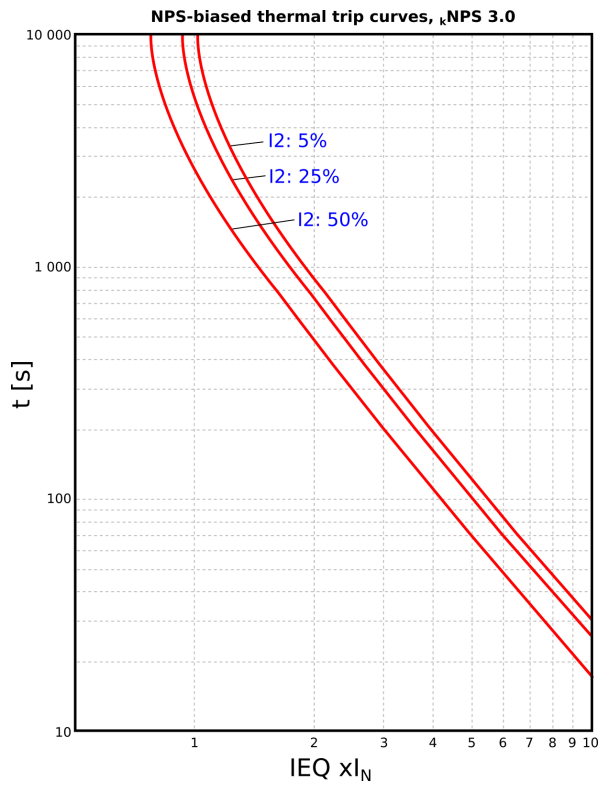


Figure. 4.4.23 - 141. NPS-biased thermal trip curves with k_{NPS} value of 7.

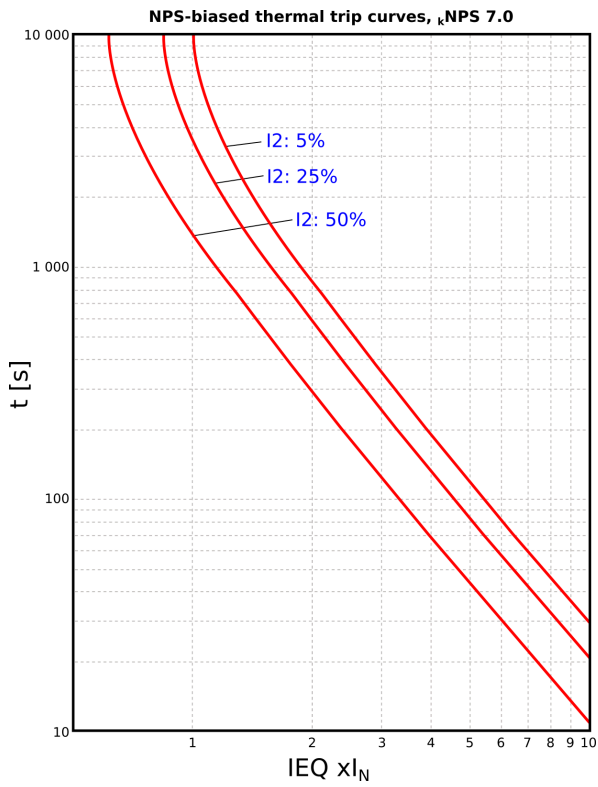
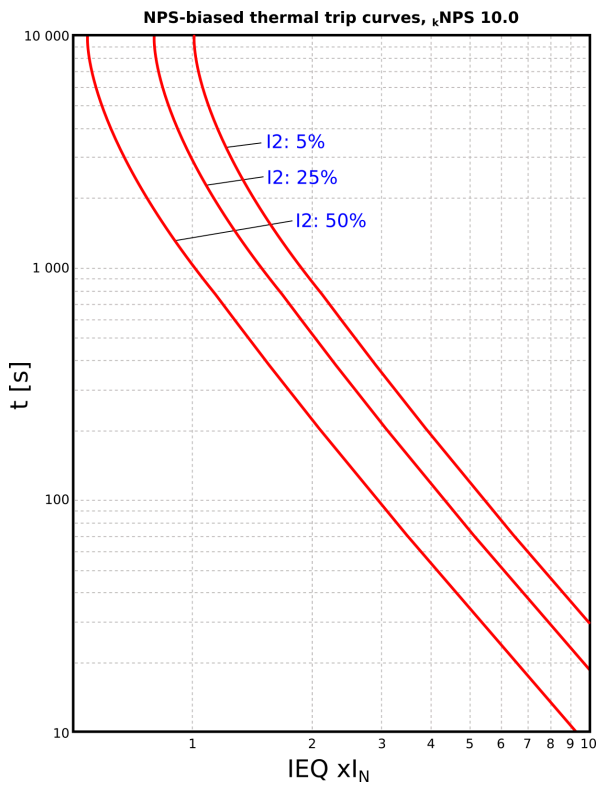


Figure. 4.4.23 - 142. NPS-biased thermal trip curves with k_{NPS} value of 10.



Function inputs and outputs

The blocking signal and the setting group selection control the operating characteristics of the function during normal operation, i.e. the user or user-defined logic can change function parameters while the function is running.

The machine thermal overload protection function uses a total of eight (8) separate setting groups which can be selected from one common source.

The operational logic consists of the following:

- input magnitude processing
- thermal replica
- comparator
- block signal check
- output processing.

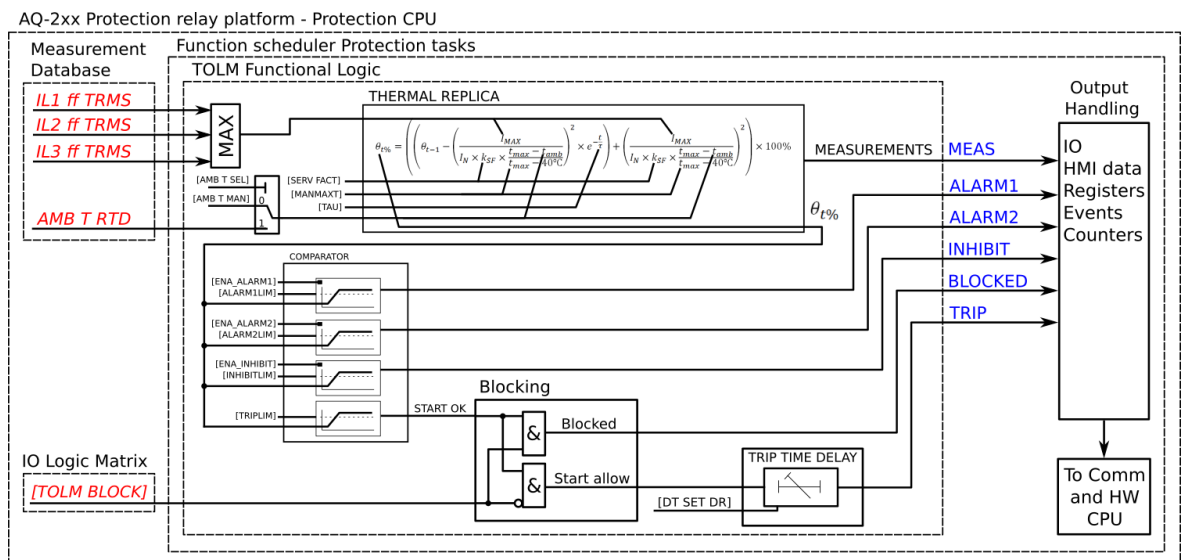
The inputs for the function are the following:

- setting parameters
- measured and pre-processed current magnitudes.

The function's output signals can be used for direct I/O controlling and user logic programming. The function generates general time-stamped ON/OFF events to the common event buffer from each of the output signals. The time stamp resolution is 1 ms. The function also provides a resettable cumulative counter for the TRIP, ALARM 1, ALARM 2, INHIBIT and BLOCKED events.

The following figure presents a simplified function block diagram of the machine thermal overload protection function.

Figure. 4.4.23 - 143. Simplified function block diagram of the TM> function.



Measured input

The function block uses analog phase current measurement values. The function block uses TRMS values from the whole harmonic spectrum of 32 components.

Table. 4.4.23 - 194. Measurement inputs of the TM> function.

Signal	Description	Time base
IL1TRMS	TRMS measurement of phase L1 (A) current	5ms
IL2TRMS	TRMS measurement of phase L2 (B) current	5ms
IL3TRMS	TRMS measurement of phase L3 (C) current	5ms
I1	Positive sequence current	5ms
I2	Negative sequence current	5ms
RTD	Temperature measurement for the ambient correction	5ms

Setting parameters

Table. 4.4.23 - 195. General settings (not selectable under setting groups)

Name	Range	Default	Description
TM> LN mode	1: On 2: Blocked 3: Test 4: Test/ Blocked 5: Off	1: On	Displays the mode of TOLM block. This parameter is visible only when <i>Allow setting of individual LN mode</i> is enabled in <i>General</i> menu.
TM> mode	0: Disabled 1: Activated	0: Disabled	The selection of the function is activated or disabled in the configuration. By default it is not in use.
TM> Status Force to	0: Normal 1: Blocked 2: Alarm1 On 3: Alarm2 On 4: Inhibit On 5: Trip On	0: Normal	Force the status of the function. Visible only when <i>Enable stage forcing</i> parameter is enabled in <i>General</i> menu.
Temp C or F deg	0: C 1: F	0: C	The selection of whether the temperature values of the thermal image and RTD compensation are shown in Celsius or in Fahrenheit.

Table. 4.4.23 - 196. Settings of the motor status monitoring function and how they are shared by other protection functions.

Name	Range	Step	Default	Prot.funcs.	Description
Motor In Scaled	0.1...40.0xI _n	0.1xI _n	-	- motor status monitoring - machine thermal overload protection (TM>; 49M) - motor start/locked rotor monitoring (Ist>; 48/14) - non-directional undercurrent protection (I<; 37) - mechanical jam protection (Im>; 51M)	The motor's nominal current scaled to per unit. If the user selects <i>Object In</i> in the CT settings, this value should be 1.00. If scaled to the CT nominal, this value may vary.
Motor In A	0.1 ... 5000.0A	0.1A	-	- motor status monitoring - machine thermal overload protection (TM>; 49M) - motor start/locked rotor monitoring (Ist>; 48/14) - non-directional undercurrent protection (I<; 37) - mechanical jam protection (Im>; 51M)	The motor's nominal current in amperes.
Nominal starting current	0.1...40.0xI _n	0.1xI _n	6.0xI _n	- motor status monitoring - machine thermal overload protection (TM>; 49M) - motor start/locked rotor monitoring (Ist>; 48/14) - mechanical jam protection (Im>; 51M)	The motor's locked rotor current with the nominal voltage. This setting is used for automatic curve selection and calculation. Also, the nominal starting capacity calculation is based on this value.

Name	Range	Step	Default	Prot.funcs.	Description
Nominal starting current A	0.1...5000.0A	0.1A	-	- motor status monitoring - machine thermal overload protection (TM>; 49M) - motor start/locked rotor monitoring (Ist>; 48/14) - mechanical jam protection (Im>; 51M)	The motor's locked rotor current in amperes.
Min locked rotor current	0.1...40.0xI _n	0.1xI _n	3.5xI _n	- motor status monitoring - machine thermal overload protection (TM>; 49M) - motor start/locked rotor monitoring (Ist>; 48/14) - mechanical jam protection (Im>; 51M)	The motor's minimum locked rotor current. This setting defines the current limit for when this current is exceeded while the automatic curve selection and the control only short time constant (stall) are in use.
Min locked rotor current A	0.1...5000.0A	0.1A	-	- motor status monitoring - machine thermal overload protection (TM>; 49M) - motor start/locked rotor monitoring (Ist>; 48/14) - mechanical jam protection (Im>; 51M)	The motor's minimum locked rotor current. This setting defines the current limit for when this current is exceeded while the automatic curve selection and the control only short time constant (stall) are in use.
Max locked rotor current	0.1...40.0xI _n	0.1xI _n	7.5xI _n	- motor status monitoring - machine thermal overload protection (TM>; 49M) - motor start/locked rotor monitoring (Ist>; 48/14) - mechanical jam protection (Im>; 51M)	The maximum locked rotor current of the motor. This setting defines the current limit which is maximum current for the motor to draw in locked rotor situation (starting or stalled). If the measured current exceeds this setting limit it is considered to be overcurrent fault and corresponding measures can be applied to disconnect the feeder and motor from the supply.

Name	Range	Step	Default	Prot.funcs.	Description
Max locked rotor current A	0.1...5000.0A	0.1A	-	- motor status monitoring - machine thermal overload protection (TM>; 49M) - motor start/locked rotor monitoring (Ist>; 48/14) - mechanical jam protection (Im>; 51M)	The maximum locked rotor current in amperes.
Max overload current	0.1...40.0xI _n	0.1xI _n	2.0xI _n	- motor status monitoring - machine thermal overload protection (TM>; 49M) - motor start/locked rotor monitoring (Ist>; 48/14) - mechanical jam protection (Im>; 51M)	The motor's maximum overload current. Exceeding this setting stalls the motor. This setting defines when the thermal replica switches to the short (stall) time constant. As long as the current stays below this setting value, the motor should run even when overloaded.
Max overload current A	0.1...5000.0A	0.1A	-	- motor status monitoring - machine thermal overload protection (TM>; 49M) - motor start/locked rotor monitoring (Ist>; 48/14) - mechanical jam protection (Im>; 51M)	The maximum overload current of the motor in amperes.
No load current <	0.1...40.0xI _n	0.1xI _n	0.2xI _n	- motor status monitoring - machine thermal overload protection (TM>; 49M) - non-directional undercurrent protection (I<; 37)	The motor's no load current. This setting defines the "Stopped" condition when the current is below this setting value. Also, when the current is below this value, the undercurrent protection stage is locked.

Name	Range	Step	Default	Prot.funcs.	Description
No load current < A	0.1...5000.0A	0.1A	-	- motor status monitoring - machine thermal overload protection (TM>; 49M) - non-directional undercurrent protection (I<; 37)	The motor's no load current in amperes.
Motor service factor	0.01...5.00xI _n	0.01xI _n	1.00xI _n	- motor status monitoring - machine thermal overload protection (TM>; 49M)	Service factor which corrects the maximum allowed loading according to various conditions (e.g. installation, construction, etc.) which vary from the presumption conditions. Frequently motors are stamped to a service factor of 1.15: this means that they can withstand a continuous 15% overloading from the rated current (as this is not necessary in all conditions, it is recommended to consult the motor's datasheet or manual for details). If the service factor is not known, this parameter should be left at its default setting of 1.00 x I _n .
Hot condition theta limit	0.0...100.0%	0.1%	70%	- motor status monitoring - frequent start protection (N>) - machine thermal overload protection (TM>; 49M) - motor start/locked rotor monitoring (Ist>; 48/14) - mechanical jam protection (Im>; 51M)	Setting the thermal limit for a hot motor and a cold motor. When this setting value is not exceeded while a locked rotor situation occurs, the function uses a cold stall curve adjusted with the actually used thermal capacity. The function uses a hot stall curve when this setting value is exceeded. This also applies to starts when the motor is hot or cold. Please note that using this setting requires that the Machine thermal overload protection (TM>) function is activated and in use.
Safe stall time cold	0.1...600.0s	0.1s	20.0s	- motor status monitoring - machine thermal overload protection (TM>; 49M) - motor start/locked rotor monitoring (Ist>; 48/14) - mechanical jam protection (Im>; 51M) - frequent start protection (N>; 66)	The safe stall time when the motor is cold. Unless this value is specified, it is set to be equal to the hot stall time. Most probably this leads to overprotection with the cold motor stall (best case scenario). This setting value is used for the cold thermal stall curve selection in automatic control. This parameter is also used in the motor start-up and the number of starts calculations.

Name	Range	Step	Default	Prot.funcs.	Description
Safe stall time hot	0.1...600.0s	0.1s	15.0s	- motor status monitoring - machine thermal overload protection (TM>; 49M) - Motor start/locked rotor monitoring (Ist>; 48/14) - mechanical jam protection (Im>; 51M) - frequent start protection (N>; 66)	The safe stall time when the motor is hot. This setting value is used for the hot thermal stall curve selection in automatic control. This parameter is also used in the motor start-up and the number of starts calculations.

Table. 4.4.23 - 197. Motor's thermal image settings.

Name	Range	Step	Default	Description
Pick-up current	0.00...40.00xI _n	0.01xI _n	1.00xI _n	The current for 100 % thermal capacity to be used (the pick-up current in p.u., this current t_{max} achieved in $t \times 5$).
NPS-biasing in use	0: No NPS-biasing 1: NPS-biasing in use	-	0: No NPS-biasing in use	The selection of whether or not the thermal replica reference current is biased with the NPS current.
NPS-bias factor	0.1...10.0	0.1	3.0	The negative sequence current biasing factor. This factor depends on the motor's construction and is in relation to the positive and negative sequence rotor resistances. A typical value for this is the default setting 3.0.
Time constants	0: Single 1: Multiple	-	0: Single	The selection of whether the thermal replica uses single or multiple heating and cooling time constants. If "Single" is selected, only the time constants Long heating (cold) and Long cool Stop are shown. If "Multiple" is selected, all available time constants are shown.
Estimate short TC and timings	0: Set manually 1: Estimate (online)	-	0: Set manually	The selection of whether the relay estimates short time constants for heating and cooling. It also selects the timing for short and long time constants when the motor is stopped.
Long heat T const (cold)	0...500.0min	1.0min	10.0min	The setting for the long heating time constant. This setting is for "Cold" motor conditions and is used when the calculated thermal capacity is below the set value for "Hot condition theta limit".
Long heat T const (hot)	0...500.0min	1.0min	10.0min	The setting for the long heating time constant. This setting is for "Hot" motor conditions and is used when the calculated thermal capacity is above the set value for "Hot condition theta limit". This setting can be modified for when the motor's thermal characteristics vary between "hot" and "cold" situation. If the characteristics do not change, this setting should be the same as the setting value of "Long heat T const (cold)". This setting is visible when the time constant option "Multiple" is selected.

Name	Range	Step	Default	Description
Long cool T const Run	0...3000.0min	1.0min	10.0min	The setting for the long cooling time constant for the "Run" condition of the motor. When the motor cools while running, its time constant is not the same as the stopped cooling constant but instead typically a lot shorter (since the motor cooling fan is active). This setting may need the testing of the motor cooling characteristics. If unknown, this setting should be the same as the setting value of "Long Cool T const Stop" (slower cooling) or "Long heat T const" (faster cooling). This setting is visible when the time constant option "Multiple" is selected.
Long cool T const Stop	0...3000.0min	1.0min	10.0min	The setting for the stopped motor cooling time constant. When the motor is stopped, the thermal replica calculates the cooling according to this setting value. Typically this time constant is about 2.5 – 3.5 times the heating time constant.
Short heat T const (cold)	0...500.0min	1.0min	10.0min	The setting for short heating time constant for "cold" motor status. This time constant defines the locked rotor and stalled tripping curve selection. While this setting is not the safe stall time directly, it defines the used tripping curve for the locked rotor condition. This setting is visible when the time constants option "Multiple" and the "Set manually" option from "Estimate short TC and timings" are both selected.
Short heat T const (cold) est	0...500.0min	1.0min	10.0min	The estimated setting for short heating time constant for "cold" motor status. This time constant defines the locked rotor and stalled tripping curve selection. This setting value is calculated based on the information given by the locked rotor current (LRC) and the cold safe stall time. This setting value is visible when the time constants option "Multiple" and the "Estimate" option from "Estimate short TC and timings" are both selected.
Short heat T const (hot)	0...500.0min	1.0min	10.0min	The setting for short heating time constant for "hot" motor status. This time constant defines the locked rotor and stalled tripping curve selection. While this setting is not the safe stall time directly, it defines the used tripping curve for the locked rotor condition. This setting is visible when the time constants option "Multiple" and the "Set manually" option from "Estimate short TC and timings" are both selected.
Short heat T const (hot) est	0...500.0min	1.0min	10.0min	The estimated setting for short heating time constant for "hot" motor status. This time constant defines the locked rotor and stalled tripping curve selection. This setting value is calculated based on the information given by the LRC and the hot safe stall time. This setting value is visible when the time constants option "Multiple" and the "Estimate" option from "Estimate short TC and timings" are both selected.
Short cool T const	0...3000.0min	1.0min	10.0min	The setting for the short cooling time constant. This value is the same for both running and stopped conditions, and typically it is the same between heating and cooling. This setting is visible when the time constants option "Multiple" and the "Set manually" option from "Estimate short TC and timings" are both selected.

Name	Range	Step	Default	Description
Wf factor for L/S T const	0.0...1.0	0.1	0.5	The correction factor between the currently used long and short time constants. With this setting the heating and cooling calculations can be fine-tuned. A setting value of 0.5 means that 50 % of the heating or cooling calculation is based on the long time constant and another 50 % is based on the short time constant. A setting value of 0.0 means the calculation is completely based on the short time constant, while a value of 1.0 means it is completely based on the long time constant. This setting value is visible when the time constants option "Multiple" is selected.
T const dyn. balancing	0: Fixed 1: Dynamic	-	0: Fixed	The selection of whether or not the thermal replica balances and switches the time constants dynamically based on the detected motor status. The switching is based on the settings given for maximum overload current and for minimum locked rotor current. If "Dynamic" is selected, the thermal replica switches the time constants. If "Fixed" is selected, no time constants are switched. This setting value is visible when the time constants option "Multiple" is selected.
Short cool T used when stop	0.0...3000min	0.1min	30.0min	The setting for how long the short cooling time constant is used when the motor is stopped. The cooling is typically faster in right after the motor has stopped. This setting may need adjusting depending on the application for a perfect match. This setting value is visible when the time constants option "Multiple" is selected.
Short cool T used when stop (est)	0.0...3000min	0.1min	30.0min	The estimated setting for how long the short cooling time constant is used when the motor is stopped. The cooling is typically faster right after the motor has stopped. This setting value is visible when the time constants option "Multiple" is selected.
Cold reset default theta	0.0...150.0%	0.1%	60.0%	The default theta when the function is restarted. It is also possible to fully reset the thermal element. This parameter can be used when testing the function to manually set the current thermal cap to any value.

Table. 4.4.23 - 198. Environmental settings

Name	Range	Step	Default	Description
Dev. temp (tmax)	0: A 1: B 2: F 3: H 4: Manual set	-	2: F	The maximum allowed temperature for the protected object. The default setting is "F" which is +155 °C.
Obj. max. temp (tmax = 100 %)	0...500 deg	1 deg	125 deg	Visible when the Dev. temp. (tmax) is set to "4: Manual set".
Ambient temp. sel.	0: Manual set 1: RTD	-	0: Manual set	The selection of whether the thermal image biasing uses a fixed or a measured ambient temperature.

Name	Range	Step	Default	Description
Man. amb. temp. set.	0...500 deg	1 deg	40 deg	The manual fixed ambient temperature setting for thermal image biasing. Underground cables commonly use +15 °C. This setting is visible if "Ambient temp. sel." is set to "Manual set".
RTD amb. temp. read.	0...500 deg	1 deg	40 deg	The RTD ambient temperature reading for the thermal image biasing. This setting is visible if "Ambient temp. sel." is set to "RTD".
Ambient lin. or curve	0: Linear est. 1: Set curve	-	0: Linear est	The selection of how to correct the ambient temperature, either by internally calculated compensation based on end temperatures or by a user-settable curve. The default setting is "0: Linear est." which means the internally calculated correction for ambient temperature.
Temp. reference (tref) $k_{amb} = 1.0$	-60...500 deg	1 deg	15 deg	The temperature reference setting. The manufacturer's temperature presumptions apply and the thermal correction factor is 1.00 (rated temperature). For underground cables the set value for this is usually 15 °C and for cables in the air it is usually 25 °C. This setting is visible if "Ambient lin. or curve" is set to "Linear est."
Max. ambient temp.	0...500 deg	1 deg	45 deg	The maximum ambient temperature setting. If the measured temperature is more than the maximum set temperature, the set correction factor for the maximum temperature is used. This setting is visible if "Ambient lin. or curve" is set to "Linear est."
k at max. amb. temp.	0.01...5.00 x I_n	0.01 x I_n	1.00 x I_n	The temperature correction factor for the maximum ambient temperature setting. This setting is visible if "Ambient lin. or curve" is set to "Linear est."
Min. ambient temp.	-60...500 deg	1 deg	0 deg	The minimum ambient temperature setting. If the measured temperature is below the minimum set temperature, the set correction factor for minimum temperature is used. This setting is visible if "Ambient lin. or curve" is set to "Linear est."
k at min. amb. temp.	0.01...5.00 x I_n	0.01 x I_n	1.00 x I_n	The temperature correction factor for the minimum ambient temperature setting. This setting is visible if "Ambient lin. or curve" is set to "Linear est."
Amb. temp. ref. 1...10	-50.0...500.0 deg	0.1 deg	15 deg	The temperature reference points for the user-settable ambient temperature coefficient curve. This setting is visible if "Ambient lin. or curve" is set to "Set curve".
Amb. temp. k1...k10	0.01...5.00	1.00	0.01	The coefficient value for the temperature reference point. The coefficient and temperature reference points must be set as pairs. This setting is visible if "Ambient lin. or curve" is set to "Set curve".
Add curvepoint 3...10	0: Not used 1: Used	-	0: Not used	The selection of whether or not the curve temperature/coefficient pair is in use. The minimum number to be set for the temperature/coefficient curve is two pairs and the maximum is ten pairs. If the measured temperature is below the set minimum temperature reference or above the maximum set temperature reference, the used temperature coefficient is the first or last value in the set curve. This setting is visible if "Ambient lin. or curve" is set to "Set curve".

Operating characteristics

The operating characteristics of the machine thermal overload protection function are completely controlled by the thermal image. The thermal capacity value calculated from the thermal image can set the I/O controls with ALARM 1, ALARM 2, INHIBIT and TRIP signals.

Table. 4.4.23 - 199. Pick-up settings.

Name	Range	Step	Default	Description
Enable TM> Alarm 1	0: Disabled 1: Enabled	-	0: Disabled	Enabling/disabling the ALARM 1 signal and the I/O.
TM> Alarm 1 level	0.0...150.0 %	0.1 %	40 %	ALARM 1 activation threshold.
Enable TM> Alarm 2	0: Disabled 1: Enabled	-	0: Disabled	Enabling/disabling the ALARM 2 signal and the IO.
TM> Alarm 2 level	0.0...150.0 %	0.1 %	40 %	ALARM 2 activation threshold.
Enable TM> Rest Inhibit	0: Disabled 1: Enabled	-	0: Disabled	Enabling/disabling the INHIBIT signal and the IO.
TM> Inhibit level	0.0...150.0 %	0.1 %	80 %	INHIBIT activation threshold.
TM> Trip level	0.0...150.0 %	0.1 %	100 %	TRIP activation threshold.
TM> Trip delay	0.000...3600.000 s	0.005 s	0.000 s	The trip signal's additional delay. This delay delays the trip signal generation by a set time. The default setting is 0.000 s which does not give an added time delay for the trip signal.

The pick-up activation of the function is direct for all other signals except the TRIP signal which also has a blocking check before the signal is generated.

Function blocking

The block signal is checked in the beginning of each program cycle. The blocking signal is received from the blocking matrix in the function's dedicated input. If the blocking signal is not activated when the pick-up element activates, a START signal is generated and the function proceeds to the time characteristics calculation.

If the blocking signal is active when the pick-up element activates, a BLOCKED signal is generated and the function does not process the situation further. If the START function has been activated before the blocking signal, it resets and processes the release time characteristics similarly to when the pick-up signal is reset.

The blocking of the function causes an HMI display event and a time-stamped blocking event with information of the startup current values and its fault type to be issued.

The variables the user can set are binary signals from the system. The blocking signal needs to reach the device minimum of 5 ms before the set operating delay has passed in order for the blocking to activate in time.

Measurements and indications

The function outputs measured process data from the following magnitudes:

Table. 4.4.23 - 200. General status codes.

Name	Range	Description
TM> LN behaviour	1: On 2: Blocked 3: Test 4: Test/Blocked 5: Off	Displays the mode of TOLM block. This parameter is visible only when <i>Allow setting of individual LN mode</i> is enabled in <i>General</i> menu.
TM> Condition	0: Normal 1: Alarm 1 ON 2: Alarm 2 ON 3: Inhibit ON 4: Trip ON 5: Blocked	The function's operating condition. No outputs are controlled when the status is "Normal".
Motor status	0: Stopped 1: Stalled 2: Just Stopped 3: Overloading 4: Running normal	The function's thermal image status. When the measured current is below 1 % of the nominal current, the status "Light/No load" is shown. When the measured current is below the trip limit, the status "Load normal" is shown. When the measured current is above the pick-up limit but below $2 \times I_n$, the status "Overloading" is shown. When the measured current is above $2 \times I_n$, the status "High overload" is shown.
TM> Setting alarm	0: SF setting ok 1: Service factor set fault. Override to 1.0	Indicates if SF setting has been set wrong and the actually used setting is 1.0. Visible only when there is a setting fault.
TM> Setting alarm	0: Ambient setting ok 1: Ambient t set fault. Override to 1.0	Indicates if ambient temperature settings have been set wrong and actually used setting is 1.0. Visible only when there is a setting fault.
TM> Setting alarm	0: Nominal current calc ok 1: Nominal current set fault. Override to 1.0	Indicates if nominal current calculation is set wrong and actually used setting is 1.0. Visible only when there is a setting fault.

Name	Range	Description
TM> Setting alarm	0: Ambient setting ok 1: Inconsistent setting of ambient k	Indicates if ambient k setting has been set wrong. Visible only when there is a setting fault.

Table. 4.4.23 - 201. Measurements.

Name	Range	Description / values
Currents	0: Primary A 1: Secondary A 2: Per unit	The active phase current measurement from IL1 (A), IL2 (B) and IL3 (C) phases in given scalings.
Thermal image	0: Thermal image calc.	<ul style="list-style-type: none"> - TM> Trip expect mode: No trip expected/Trip expected - TM> Time to 100 % theta: Time to reach the 100 % thermal cap - TM> Rreference T curr.: reference/pick-up value (IEQ) - TM> Active meas. curr.: the measured maximum TRMS current at a given moment - TM> T est. with act. curr.: estimation of the used thermal capacity including the current at a given moment - TM> T at a given moment: the thermal capacity used at that moment
	1: Temp. estimates	<ul style="list-style-type: none"> - TM> Used k for amb. temp: the ambient correction factor at a givenmoment - TM> Max. temp. rise all.: the maximum allowed temperature rise - TM> Temp. rise atm: the calculated temperature rise at a given moment - TM> Hot spot estimate: the estimated hot spot temperature including the ambient temperature - TM> Hot spot max. all.: the maximum allowed temperature for the object
	2: Timing status	<ul style="list-style-type: none"> - TM> Trip delay remaining: the time to reach 100% theta - TM> Trip time to rel.: the time to reach theta while staying below the trip limit during cooling - TM> Alarm 1 time to rel.: the time to reach theta while staying below the Alarm 1 limit during cooling - TM> Alarm 2 time to rel.: the time to reach theta while staying below the Alarm 2 limit during cooling - TM> Inhibit time to rel.: the time to reach theta while staying below the Inhibit limit during cooling

Table. 4.4.23 - 202. Counters.

Name	Description / values
Alarm1 inits	The number of times the function has activated the Alarm 1 output
Alarm2 inits	The number of times the function has activated the Alarm 2 output
Restart inhibits	The number of times the function has activated the Restart inhibit output
Trips	The number of times the function has tripped
Trips Blocked	The number of times the function trips has been blocked

Events and registers

The machine thermal overload protection function (abbreviated "TOLM" in event block names) generates events and registers from the status changes in TRIP and BLOCKED signals. The user can select which event messages are stored in the main event buffer: ON, OFF, or both.

The events triggered by the function are recorded with a time stamp and with process data values.

Table. 4.4.23 - 203. Event messages.

Event block name	Description
TOLM1	Alarm1 ON
TOLM1	Alarm1 OFF
TOLM1	Alarm2 ON
TOLM1	Alarm2 OFF
TOLM1	Inhibit ON
TOLM1	Inhibit OFF
TOLM1	Trip ON
TOLM1	Trip OFF
TOLM1	Block ON
TOLM1	Block OFF

The function registers its operation into the last twelve (12) time-stamped registers. The register of the function records the ON event process data for TRIP, BLOCKED, etc. signals. The table below presents the structure of the function's register content.

Table. 4.4.23 - 204. Register content.

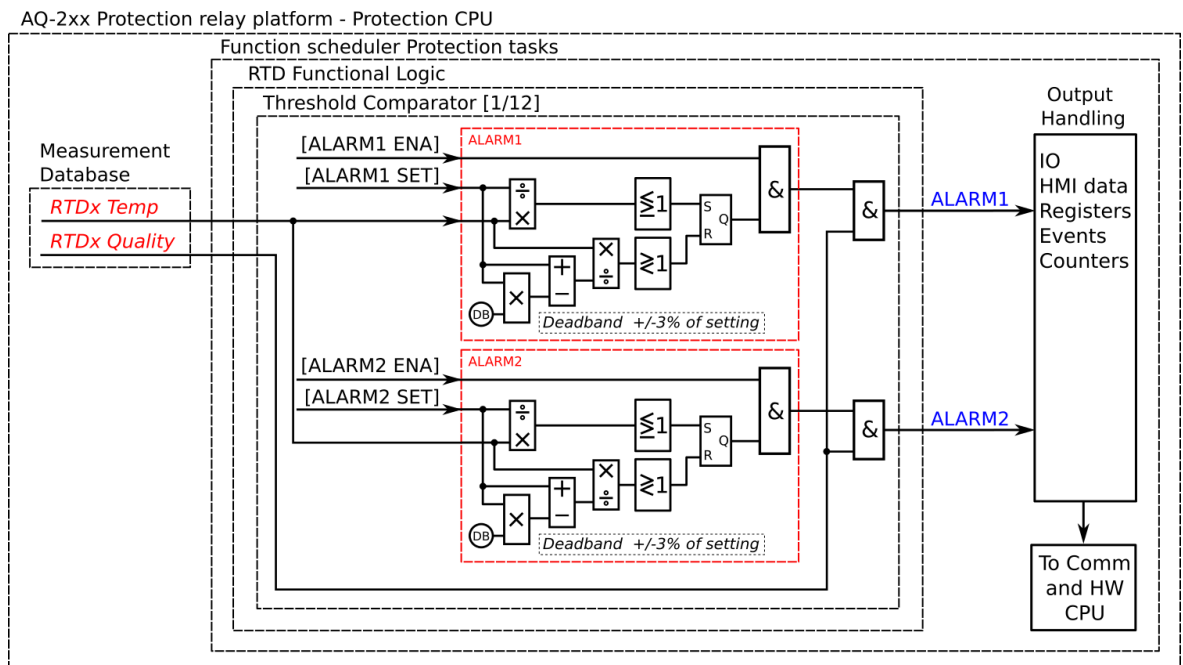
Name	Event names
Date and time	dd.mm.yyyy hh:mm:ss.mss
Event	Event name
Time to reach 100 % theta	seconds
Ref. T current	$x I_n$
Active meas. current	$x I_n$
T at a given moment	%
Max. temp. rise allowed	degrees
Temp. rise at a given moment	degrees
Hot spot estimate	degrees
Hot spot max. all.	degrees

Name	Event names
Trip delay rem.	Remaining time to trip in seconds
Used SG	Setting group 1...8 active

4.4.24 Resistance temperature detectors (RTD)

Resistance temperature detectors (or RTDs) can be used to measure both temperatures of motors/ generators and ambient temperatures. Typically an RTD is a thermocouple or of type PT100. Up to three (3) separate RTD modules based on an external Modbus are supported; each can hold up to eight (8) measurement elements. Up to two (2) separate RTD option cards are supported by this function. Sixteen (16) individual element monitors can be set for this alarm function, and each of those can be set to alarm two (2) separate alarms from one selected input. The user can set alarms and measurements to be either in degrees Celsius or Fahrenheit.

The following figure shows the principal structure of the resistance temperature detection function.



Settings

Table. 4.4.24 - 205. General settings of the function.

Name	Range	Default	Description
RTD LN mode	1: On 2: Blocked 3: Test 4: Test/ Blocked 5: Off	0: On	Set mode of RTD block. This parameter is visible only when <i>Allow setting of individual LN mode</i> is enabled in <i>General</i> menu.

Name	Range	Default	Description
RTD LN behaviour	1: On 2: Blocked 3: Test 4: Test/Blocked 5: Off	-	Displays the mode of RTD block. This parameter is visible only when <i>Allow setting of individual LN mode</i> is enabled in <i>General</i> menu.

Setting up an RTD measurement, the user first needs to set the measurement module to scan the wanted RTD elements. A multitude of Modbus-based modules are supported. Communication requires bitrate, databits, parity, stopbits and Modbus I/O protocol to be set; this is done at *Communication* → *Connections*. Once communication is set, the wanted channels are selected at *Communication* → *Protocols* → *ModbusIO*. Then the user selects the measurement module from the three (3) available modules (A, B and C), as well as the poll address. Additionally, both the module type and the polled channels need to be set. When using a thermocouple module, the thermo element type also needs to be set for each of the measurement channels. Once these settings are done the RTDs are ready for other functions.

Table. 4.4.24 - 206. Function settings for Channel x (Sx).

Name	Range	Step	Default	Description
S1...S16 enable	0: No 1: Yes	-	0: No	Enables/disables the selection of sensor measurements and alarms.
S1...S16 module	0: InternalRTD1 1: InternalRTD2 2: ExtModuleA 3: ExtModuleB 4: ExtModuleC	-	0: InternalRTD1	Selects the measurement module. Internal RTD modules are option cards installed to the relay. External modules are Modbus based external devices.
S1...S16 channel	0: Channel 0 1: Channel 1 3: Channel 2 4: Channel 3 5: Channel 4 6: Channel 5 7: Channel 6 8: Channel 7	-	0: Channel 0	Selects the measurement channel in the selected module.
S1...S16 Deg C/Dec F	0: Deg C 1: Deg F	-	0: Deg C	Selects the measurement temperature scale (Celsius or Fahrenheit).
S1...S16 Measurement	-	-	-	Displays the measurement value in the selected temperature scale.
S1...S16 Sensor	0: Ok 1: Invalid	-	-	Displays the measured sensor's data validity. If the sensor reading has any problems, the sensor data is set to "Invalid" and the alarms are not activated.
S1...S16 Enable alarm 1	0: Disable 1: Enable	-	0: Disable	Enables/disables the selection of Alarm 1 for the measurement channel x.
S1...S16 Alarm1 >/<	0: > 1: <	-	0: >	Selects whether the alarm activates when measurement is above or below the pick-up setting value.

Name	Range	Step	Default	Description
S1...S16 Alarm1	-101.0...2000.0deg	0.1deg	0.0deg	Sets the pick-up value for Alarm 1. The alarm is activated if the measurement goes above or below this setting mode (depends on the selected mode in "Sx Alarm1 >/<").
S1...S16 sensor	0: Ok 1: Invalid	-	-	Displays the measured sensor's data validity. If the sensor reading has any problems, the sensor data is set to "Invalid" and the alarms are not activated.
S1...S16 Enable alarm 2	0: Disable 1: Enable	-	0: Disable	Enables/disables the selection of Alarm 2 for the measurement channel x.
S1...S16 Alarm2 >/<	0: > 1: <	-	0: >	Selects whether the measurement is above or below the setting value.
S1...S16 Alarm2	-101.0...2000.0deg	0.1deg	0.0deg	Sets the value for Alarm 2. The alarm is activated if the measurement goes above or below this setting mode (depends on the selected mode in "Sx Alarm2 >/<").

Function can be set to monitor the measurement data from previously set RTD channels. A single channel can be set to have several alarms if the user sets the channel to multiple sensor inputs. In each sensor setting the user can select the monitored module and channel, as well as the monitoring and alarm setting units (°C or °F). The alarms can be enabled, given a setting value (in degrees), and be set to trigger either above or below the setting value. There are sixteen (16) available sensor inputs in the function. An active alarm requires a valid channel measurement. It can be invalid if communication is not working or if a sensor is broken.

When the RTDs have been set, the values can be read to SCADA (or some other control system). The alarms can also be used for direct output control as well as in logics.

Events

The resistance temperature detector function (abbreviated "RTD" in event block names) generates events and registers from the status changes in ALARM and MEAS INVALID. The user can select which event messages are stored in the main event buffer: ON, OFF, or both. The function offers sixteen (16) independent stages; the events are segregated for each stage operation.

The events triggered by the function are recorded with a time stamp and with process data values. The function registers its operation into the last twelve (12) time-stamped registers.

Table. 4.4.24 - 207. Event messages.

Event block name	Event names
RTD1	S1 Alarm1 ON
RTD1	S1 Alarm1 OFF
RTD1	S1 Alarm2 ON
RTD1	S1 Alarm2 OFF
RTD1	S2 Alarm1 ON

Event block name	Event names
RTD1	S2 Alarm1 OFF
RTD1	S2 Alarm2 ON
RTD1	S2 Alarm2 OFF
RTD1	S3 Alarm1 ON
RTD1	S3 Alarm1 OFF
RTD1	S3 Alarm2 ON
RTD1	S3 Alarm2 OFF
RTD1	S4 Alarm1 ON
RTD1	S4 Alarm1 OFF
RTD1	S4 Alarm2 ON
RTD1	S4 Alarm2 OFF
RTD1	S5 Alarm1 ON
RTD1	S5 Alarm1 OFF
RTD1	S5 Alarm2 ON
RTD1	S5 Alarm2 OFF
RTD1	S6 Alarm1 ON
RTD1	S6 Alarm1 OFF
RTD1	S6 Alarm2 ON
RTD1	S6 Alarm2 OFF
RTD1	S7 Alarm1 ON
RTD1	S7 Alarm1 OFF
RTD1	S7 Alarm2 ON
RTD1	S7 Alarm2 OFF
RTD1	S8 Alarm1 ON
RTD1	S8 Alarm1 OFF
RTD1	S8 Alarm2 ON
RTD1	S8 Alarm2 OFF
RTD1	S9 Alarm1 ON
RTD1	S9 Alarm1 OFF
RTD1	S9 Alarm2 ON
RTD1	S9 Alarm2 OFF

Event block name	Event names
RTD1	S10 Alarm1 ON
RTD1	S10 Alarm1 OFF
RTD1	S10 Alarm2 ON
RTD1	S10 Alarm2 OFF
RTD1	S11 Alarm1 ON
RTD1	S11 Alarm1 OFF
RTD1	S11 Alarm2 ON
RTD1	S11 Alarm2 OFF
RTD1	S12 Alarm1 ON
RTD1	S12 Alarm1 OFF
RTD1	S12 Alarm2 ON
RTD1	S12 Alarm2 OFF
RTD1	S13 Alarm1 ON
RTD1	S13 Alarm1 OFF
RTD1	S13 Alarm2 ON
RTD1	S13 Alarm2 OFF
RTD1	S14 Alarm1 ON
RTD1	S14 Alarm1 OFF
RTD1	S14 Alarm2 ON
RTD1	S14 Alarm2 OFF
RTD1	S15 Alarm1 ON
RTD1	S15 Alarm1 OFF
RTD1	S15 Alarm2 ON
RTD1	S15 Alarm2 OFF
RTD1	S16 Alarm1 ON
RTD1	S16 Alarm1 OFF
RTD1	S16 Alarm2 ON
RTD1	S16 Alarm2 OFF
RTD2	S1 Meas Ok
RTD2	S1 Meas Invalid
RTD2	S2 Meas Ok

Event block name	Event names
RTD2	S2 Meas Invalid
RTD2	S3 Meas Ok
RTD2	S3 Meas Invalid
RTD2	S4 Meas Ok
RTD2	S4 Meas Invalid
RTD2	S5 Meas Ok
RTD2	S5 Meas Invalid
RTD2	S6 Meas Ok
RTD2	S6 Meas Invalid
RTD2	S7 Meas Ok
RTD2	S7 Meas Invalid
RTD2	S8 Meas Ok
RTD2	S8 Meas Invalid
RTD2	S9 Meas Ok
RTD2	S9 Meas Invalid
RTD2	S10 Meas Ok
RTD2	S10 Meas Invalid
RTD2	S11 Meas Ok
RTD2	S11 Meas Invalid
RTD2	S12 Meas Ok
RTD2	S12 Meas Invalid
RTD2	S13 Meas Ok
RTD2	S13 Meas Invalid
RTD2	S14 Meas Ok
RTD2	S14 Meas Invalid
RTD2	S15 Meas Ok
RTD2	S15 Meas Invalid
RTD2	S16 Meas Ok
RTD2	S16 Meas Invalid

4.4.25 Programmable stage (PGx>/<; 99)

The programmable stage is a stage that the user can program to create more advanced applications, either as an individual stage or together with programmable logic. The relay has ten programmable stages, and each can be set to follow one to three analog measurements. The programmable stages have three available pick up terms options: overX, underX and rate-of-change of the selected signal. Each stage includes a definite time delay to trip after a pick-up has been triggered.

The programmable stage cycle time is 5 ms. The pick-up delay depends on which analog signal is used as well as its refresh rate (typically under a cycle in a 50 Hz system).

The number of programmable stages to be used is set in the *INFO* tab. When this function has been set as "Activated", the number of programmable stages can be set anywhere between one (1) and ten (10) depending on how many the application needs. In the image below, the number of programmable stages have been set to two which makes PS1 and PS2 to appear. Inactive stages are hidden until they are activated.

Please note that setting the number of available stages does not activate those stages, as they also need to be enabled individually with the *PSx >/< Enabled* parameter. When enabled an active stage shows its current state (condition), the expected operating time and the time remaining to trip under the activation parameters. If a stage is not active the *PSx >/< condition* parameter will merely display "Disabled".

The function's outputs are START, TRIP and BLOCKED signals. The programmable stage function uses a total of eight (8) separate setting groups which can be selected from one common source.

The function can operate on instant or time-delayed mode. Definite time (DT) delay can be selected in the In time-delayed mode.

The inputs for the function are the following:

- operating mode selections
- setting parameters
- digital inputs and logic signals
- measured and pre-processed magnitudes.

The function's outputs are START, TRIP and BLOCKED signals which can be used for direct I/O controlling and user logic programming. The function generates general time-stamped ON/OFF events to the common event buffer from each of the three (3) output signals. In the instant operating mode the function outputs START and TRIP events simultaneously with an equivalent time stamp. The time stamp resolution is 1 ms. The function also provides a resettable cumulative counter for the START, TRIP and BLOCKED events.

General settings

The following general settings define the general behavior of the function. These settings are static i.e. it is not possible to change them by editing the setting group.

Table. 4.4.25 - 208. General settings of the function.

Name	Range	Description
PSx >/< LN mode	1: On 2: Blocked 3: Test 4: Test/ Blocked 5: Off	Set mode of PGS block. This parameter is visible only when <i>Allow setting of individual LN mode</i> is enabled in <i>General</i> menu.

Name	Range	Description
PSx >/< LN behaviour	1: On 2: Blocked 3: Test 4: Test/ Blocked 5: Off	Displays the mode of PGS block. This parameter is visible only when <i>Allow setting of individual LN mode</i> is enabled in <i>General</i> menu.
PSx >/< Available stages	1...10	Defines the available amount of stages.
PSx >/< Enabled	0: Disabled 1: Enabled	Enables the stage.
PSx >/< Force status to	0: Normal 1: Start 2: Trip 3: Blocked	Force the status of the function. Visible only when <i>Enable stage forcing</i> parameter is enabled in <i>General</i> menu.
PSx >/< Measurement setting	0: One magnitude comp 1: Two magnitude comp 2: Three magnitude comp	Defines how many measurement magnitudes are used by the stage.
PSx >/< Magnitude handling ("Two magnitude comp" selected)	0: Mag1 x Mag2	Multiplies Signal 1 by Signal 2. The comparison uses the product of this calculation.
	1: Mag1 / Mag2	Divides Signal 1 by Signal 2. The comparison uses the product of this calculation.
	2: Max (Mag1, Mag2)	The bigger value of the chosen signals is used in the comparison.
	3: Min (Mag1, Mag2)	The smaller value of the chosen signals is used in the comparison.
	4: Mag1 OR Mag2	Either of the chosen signals has to fulfill the pick-up condition. Both signals have their own pick-up setting.
	5: Mag1 AND Mag2	Both of the chosen signals have to fulfill the pick-up condition. Both signals have their own pick-up setting.
	6: Mag1 – Mag2	Subtracts Signal 2 from Signal 1. The comparison uses the product of this calculation.
PSx >/< Magnitude handling ("Three magnitude comp" selected)	0: Mag1 x Mag2 x Mag3	Multiplies Signals 1, 2 and 3. The comparison uses the product of this calculation.
	1: Max (Mag1, Mag2, Mag3);	The biggest value of the chosen signals is used in the comparison.
	2: Min (Mag1, Mag2, Mag3)	The smallest value of the chosen signals is used in the comparison.
	3: Mag1 OR Mag2 OR Mag3	Any of the signals fulfills the pick-up condition. Each signal has their own pick-up setting.

Name	Range	Description
	4: Mag1 AND Mag2 AND Mag3	All of the signals need to fulfill the pick-up condition. Each signal has their own pick-up setting.
	5: (Mag1 OR Mag2) AND Mag3	Signals 1 OR 2 AND 3 need to fulfill the pick-up condition. Each signal has their own pick-up setting.
PSx Magnitude selection	0: Currents 1: Voltages 2: Powers 3: Impedances and admittances 4: Others	Defines the measurement type used by the stage
PSx MagnitudeX	See table below.	Defines the measurement used by the stage. Available parameters depend on selected measurement type.
PSx MagnitudeX multiplier	-5 000 000...5 000 000	Multiplies the selected measurement. 1 by default (no multiplication). See section "Magnitude multiplier" for more information.

Analog values

The numerous analog signals have been divided into categories to help the user find the desired value.

Table. 4.4.25 - 209. Phase and residual current measurements (IL1, IL2, IL3, Io1 and Io2)

Name	Description
ILx ff (p.u.)	Fundamental frequency RMS value (in p.u.)
ILx 2 nd h.	ILx 2 nd harmonic value (in p.u.)
ILx 3 rd h.	ILx 3 rd harmonic value (in p.u.)
ILx 4 th h.	ILx 4 th harmonic value (in p.u.)
ILx 5 th h.	ILx 5 th harmonic value (in p.u.)
ILx 7 th h.	ILx 7 th harmonic value (in p.u.)
ILx 9 th h.	ILx 9 th harmonic value (in p.u.)
ILx 11 th h.	ILx 11 th harmonic value (in p.u.)
ILx 13 th h.	ILx 13 th harmonic value (in p.u.)
ILx 15 th h.	ILx 15 th harmonic value (in p.u.)
ILx 17 th h.	ILx 17 th harmonic value (in p.u.)
ILx 19 th h.	ILx 19 th harmonic value (in p.u.)
ILx TRMS	ILx TRMS value (in p.u.)

Name	Description
ILx Ang	ILx Angle (degrees)

Table. 4.4.25 - 210. Other current measurements

Name	Description
I0Z Mag	Zero sequence current value (in p.u.)
I0CALC Mag	Calculated I0 value (in p.u.)
I1 Mag	Positive sequence current value (in p.u.)
I2 Mag	Negative sequence current value (in p.u.)
I0CALC Ang	Angle of calculated residual current (degrees)
I1 Ang	Angle of positive sequence current (degrees)
I2 Ang	Angle of negative sequence current (degrees)
I01ResP	I01 primary current of a current-resistive component
I01CapP	I01 primary current of a current-capacitive component
I01ResS	I01 secondary current of a current-resistive component
I01CapS	I01 secondary current of a current-capacitive component
I02ResP	I02 primary current of a current-resistive component
I02CapP	I02 primary current of a current-capacitive component
I02ResS	I02 secondary current of a current-resistive component
I02CapS	I02 secondary current of a current-capacitive component

Table. 4.4.25 - 211. Voltage measurements

Name	Description
UL12Mag	UL12 Primary voltage V
UL23Mag	UL23 Primary voltage V
UL31Mag	UL31 Primary voltage V
UL1Mag	UL1 Primary voltage V
UL2Mag	UL2 Primary voltage V
UL3Mag	UL3 Primary voltage V
UL12Ang	UL12 angle (degrees)
UL23Ang	UL23 angle (degrees)
UL31Ang	UL31 angle (degrees)

Name	Description
UL1Ang	UL1 angle (degrees)
UL2Ang	UL2 angle (degrees)
UL3Ang	UL3 angle (degrees)
U0Ang	UL0 angle (degrees)
U0CalcMag	Calculated residual voltage
U1 pos.seq.V Mag	Positive sequence voltage
U2 neg.seq.V Mag	Negative sequence voltage
U0CalcAng	Calculated residual voltage angle (degrees)
U1 pos.seq.V Ang	Positive sequence voltage angle (degrees)
U2 neg.seq.V Ang	Negative sequence voltage angle (degrees)

Table. 4.4.25 - 212. Power measurements

Name	Description
S3PH	Three-phase apparent power S (kVA)
P3PH	Three-phase active power P (kW)
Q3PH	Three-phase reactive power Q (kvar)
tanfi3PH	Three-phase active power direction
cosfi3PH	Three-phase reactive power direction
SLx	Phase apparent power L1 / L2 / L3 S (kVA)
PLx	Phase active power L1 / L2 / L3 P (kW)
QLx	Phase reactive power L1 / L2 / L3 Q (kVar)
tanfiLx	Phase active power direction L1 / L2 / L3
cosfiLx	Phase reactive power direction L1 / L2 / L3

Table. 4.4.25 - 213. Phase-to-phase and phase-to-neutral impedances, resistances and reactances

Name	Description
RLxPri	Resistance R L12, L23, L31, L1, L2, L3 primary (Ω)
XLxPri	Reactance X L12, L23, L31, L1, L2, L3 primary (Ω)
ZLxPri	Impedance Z L12, L23, L31, L1, L2, L3 primary (Ω)
RLxSec	Resistance R L12, L23, L31, L1, L2, L3 secondary (Ω)
XLxSec	Reactance X L12, L23, L31, L1, L2, L3 secondary (Ω)

Name	Description
ZLxSec	Impedance Z L12, L23, L31, L1, L2, L3 secondary (Ω)
ZLxAngle	Impedance Z L12, L23, L31, L1, L2, L3 angle

Table. 4.4.25 - 214. Other impedances, resistances and reactances

Name	Description
RSeqPri	Positive Resistance R primary (Ω)
XSeqPri	Positive Reactance X primary (Ω)
RSeqSec	Positive Resistance R secondary (Ω)
XSeqSec	Positive Reactance X secondary (Ω)
ZSeqPri	Positive Impedance Z primary (Ω)
ZSeqSec	Positive Impedance Z secondary (Ω)
ZSeqAngle	Positive Impedance Z angle

Table. 4.4.25 - 215. Conductances, susceptances and admittances (L1, L2, L3)

Name	Description
GLxPri	Conductance G L1, L2, L3 primary (mS)
BLxPri	Susceptance B L1, L2, L3 primary (mS)
YLxPriMag	Admittance Y L1, L2, L3 primary (mS)
GLxSec	Conductance G L1, L2, L3 secondary (mS)
BLxSec	Susceptance B L1, L2, L3 secondary (mS)
YLxSecMag	Admittance Y L1, L2, L3 secondary (mS)
YLxAngle	Admittance Y L1, L2, L3 angle (degrees)

Table. 4.4.25 - 216. Other conductances, susceptances and admittances

Name	Description
G0Pri	Conductance G0 primary (mS)
B0Pri	Susceptance B0 primary (mS)
G0Sec	Conductance G0 secondary (mS)
B0Sec	Susceptance B0 secondary (mS)
Y0Pri	Admittance Y0 primary (mS)
Y0Sec	Admittance Y0 secondary (mS)

Name	Description
Y0Angle	Admittance Y0 angle

Table. 4.4.25 - 217. Other measurements

Name	Description
System f.	System frequency
Ref f1	Reference frequency 1
Ref f2	Reference frequency 2
M Thermal T	Motor thermal temperature
F Thermal T	Feeder thermal temperature
T Thermal T	Transformer thermal temperature
RTD meas 1...16	RTD measurement channels 1...16
Ext RTD meas 1...8	External RTD measurement channels 1...8 (ADAM)
mA input 7,8,15,16	mA input channels 7, 8, 15, 16
ASC 1...4	Analog scaled curves 1...4

Magnitude multiplier

Programmable stages can be set to follow one, two or three analog measurements with the *PSx >/< Measurement setting* parameter. The user must choose a measurement signal value to be compared to the set value, and possibly also set a scaling for the signal. The image below is an example of scaling: a primary neutral voltage has been scaled to a percentage value for easier handling when setting up the comparator.

The scaling factor was calculated by taking the inverse value of a 20 kV system:

$$k = \frac{1}{20\,000\text{ V}/\sqrt{3}} = 0.008\,66$$

When this multiplier is in use, the full earth fault neutral voltage is 11 547 V primary which is then multiplied with the above-calculated scaling factor, inverting the final result to 100%. This way a pre-processed signal is easier to set, although it is also possible to just use the scaling factor of 1.0 and set the desired pick-up limit as the primary voltage. Similarly, any chosen measurement value can be scaled to the desired form.

Read-only parameters

The relay's *Info* page displays useful, real-time information on the state of the protection function. It is accessed either through the relay's HMI display, or through the setting tool software when it is connected to the relay and its Live Edit mode is active.

Table. 4.4.25 - 218. Information displayed by the function.

Name	Range	Description
PSx >/< LN behaviour	1: On 2: Blocked 3: Test 4: Test/Blocked 5: Off	Displays the mode of PGS block. This parameter is visible only when <i>Allow setting of individual LN mode</i> is enabled in <i>General</i> menu.
Condition	0: Normal 1: Start 2: Trip 3: Blocked	Displays status of the function.
Expected operating time	-1800.000...1800.000s	Displays the expected operating time when a fault occurs.
Time remaining to trip	0.000...1800.000s	When the function has detected a fault and counts down time towards a trip, this displays how much time is left before tripping occurs.
PSx Scaled magnitude X	-5 000 000...5 000 000	Displays measurement value after multiplying it the value set to <i>PSx Magnitude multiplier</i> .
PSx >/< MeasMag1/ MagSet1 at the moment	-5 000 000...5 000 000	The ratio between measured magnitude and the pick-up setting.
PSx >/< MeasMag2/ MagSet2 at the moment	-5 000 000...5 000 000	The ratio between measured magnitude and the pick-up setting.
PSx >/< MeasMag3/ MagSet3 at the moment	-5 000 000...5 000 000	The ratio between measured magnitude and the pick-up setting.
PSx >/< CalcMeasMag/ MagSet at the moment	-5 000 000...5 000 000	The ratio between calculated magnitude and the pick-up setting.

Pick-up

The *Pick-up setting Mag* setting parameter controls the pick-up of the PGx>/< function. This defines the maximum or minimum allowed measured magnitude before action from the function. The function constantly calculates the ratio between the set and the measured magnitudes. The user can set the reset hysteresis in the function (by default 3 %). It is always relative to the *Pick-up setting Mag* value.

Table. 4.4.25 - 219. Pick-up settings.

Name	Range	Step	Default	Description
PS# Pick-up term Mag#	0: Over > 1: Over (abs) > 2: Under < 3: Under (abs) < 4: Delta set (%) +/- > 5: Delta abs (%) > 6: Delta +/- measval 7: Delta abs measval	-	0: Over	Comparator mode for the magnitude. See "Comparator modes" section below for more information.
PS# Pick-up setting Mag#/calc >/<	-5 000 000.0000...5 000 000.0000	0.0001	0.01	Pick-up magnitude
PS# Setting hysteresis Mag#	0.0000...50.0000%	0.0001%	3%	Setting hysteresis
Definite operating time delay	0.000...1800.000s	0.005s	0.04s	Delay setting
Release time delays	0.000...1800.000s	0.005s	0.06s	Pick-up release delay

The pick-up activation of the function is not directly equal to the START signal generation of the function. The START signal is allowed if the blocking condition is not active.

Comparator modes

When setting the comparators, the user must first choose a comparator mode.

Table. 4.4.25 - 220. Comparator modes

Mode	Description
0: Over >	Greater than. If the measured signal is greater than the set pick-up level, the comparison condition is fulfilled.
1: Over (abs) >	Greater than (absolute). If the absolute value of the measured signal is greater than the set pick-up level, the comparison condition is fulfilled.
2: Under <	Less than. If the measured signal is less than the set pick-up level, the comparison condition is fulfilled. The user can also set a blocking limit: the comparison is not active when the measured value is less than the set blocking limit.
3: Under (abs) <	Less than (absolute). If the absolute value of the measured signal is less than the set pick-up level, the comparison condition is fulfilled. The user can also set a blocking limit: the comparison is not active when the measured value is less than the set blocking limit.
4: Delta set (%) +/- >	Relative change over time. If the measured signal changes more than the set relative pick-up value in 20 ms, the comparison condition is fulfilled. The condition is dependent on direction.

Mode	Description
5: Delta abs (%) >	Relative change over time (absolute). If the measured signal changes more than the set relative pick-up value in 20 ms in either direction, the comparison condition is fulfilled. The condition is not dependent on direction.
6: Delta +/- measval	Change over time. If the measured signal changes more than the set pick-up value in 20 ms, the comparison condition is fulfilled. The condition is dependent on direction.
7: Delta abs measval	Change over time (absolute). If the measured signal changes more than the set pick-up value in 20 ms in either direction, the comparison condition is fulfilled. The condition is not dependent on direction.

The pick-up level is set individually for each comparison. When setting up the pick-up level, the user needs to take into account the modes in use as well as the desired action. The pick-up limit can be set either as positive or as negative. Each pick-up level has a separate hysteresis setting which is 3 % by default.

The user can set the operating and releasing time delays for each stage.

Function blocking

The block signal is checked in the beginning of each program cycle. The blocking signal is received from the blocking matrix in the function's dedicated input. If the blocking signal is not activated when the pick-up element activates, a START signal is generated and the function proceeds to the time characteristics calculation.

If the blocking signal is active when the pick-up element activates, a BLOCKED signal is generated and the function does not process the situation further. If the START function has been activated before the blocking signal, it resets and the release time characteristics are processed similarly to when the pick-up signal is reset.

The blocking of the function causes an HMI display event and a time-stamped blocking event with information of the startup values of the selected signal and its fault type to be issued.

The variables the user can set are binary signals from the system. The blocking signal needs to reach the device minimum of 5 ms before the set operating delay has passed in order for the blocking to activate in time.

Events and registers

The programmable stage function (abbreviated "PGS" in event block names) generates events and registers from the status changes in START, TRIP, and BLOCKED. The user can select which event messages are stored in the main event buffer: ON, OFF, or both.

The events triggered by the function are recorded with a time stamp and with process data values.

Table. 4.4.25 - 221. Event messages.

Event block name	Event names
PGS1	PS1 >/< Start ON
PGS1	PS1 >/< Start OFF
PGS1	PS1 >/< Trip ON
PGS1	PS1 >/< Trip OFF

Event block name	Event names
PGS1	PS1 >/< Block ON
PGS1	PS1 >/< Block OFF
PGS1	PS2 >/< Start ON
PGS1	PS2 >/< Start OFF
PGS1	PS2 >/< Trip ON
PGS1	PS2 >/< Trip OFF
PGS1	PS2 >/< Block ON
PGS1	PS2 >/< Block OFF
PGS1	PS3 >/< Start ON
PGS1	PS3 >/< Start OFF
PGS1	PS3 >/< Trip ON
PGS1	PS3 >/< Trip OFF
PGS1	PS3 >/< Block ON
PGS1	PS3 >/< Block OFF
PGS1	PS4 >/< Start ON
PGS1	PS4 >/< Start OFF
PGS1	PS4 >/< Trip ON
PGS1	PS4 >/< Trip OFF
PGS1	PS4 >/< Block ON
PGS1	PS4 >/< Block OFF
PGS1	PS5 >/< Start ON
PGS1	PS5 >/< Start OFF
PGS1	PS5 >/< Trip ON
PGS1	PS5 >/< Trip OFF
PGS1	PS5 >/< Block ON
PGS1	PS5 >/< Block OFF
PGS1	reserved
PGS1	reserved
PGS1	PS6 >/< Start ON
PGS1	PS6 >/< Start OFF
PGS1	PS6 >/< Trip ON

Event block name	Event names
PGS1	PS6 >/< Trip OFF
PGS1	PS6 >/< Block ON
PGS1	PS6 >/< Block OFF
PGS1	PS7 >/< Start ON
PGS1	PS7 >/< Start OFF
PGS1	PS7 >/< Trip ON
PGS1	PS7 >/< Trip OFF
PGS1	PS7 >/< Block ON
PGS1	PS7 >/< Block OFF
PGS1	PS8 >/< Start ON
PGS1	PS8 >/< Start OFF
PGS1	PS8 >/< Trip ON
PGS1	PS8 >/< Trip OFF
PGS1	PS8 >/< Block ON
PGS1	PS8 >/< Block OFF
PGS1	PS9 >/< Start ON
PGS1	PS9 >/< Start OFF
PGS1	PS9 >/< Trip ON
PGS1	PS9 >/< Trip OFF
PGS1	PS9 >/< Block ON
PGS1	PS9 >/< Block OFF
PGS1	PS10 >/< Start ON
PGS1	PS10 >/< Start OFF
PGS1	PS10 >/< Trip ON
PGS1	PS10 >/< Trip OFF
PGS1	PS10 >/< Block ON
PGS1	PS10 >/< Block OFF

The function registers its operation into the last twelve (12) time-stamped registers. The register of the function records the ON event process data for START, TRIP or BLOCKED. The table below presents the structure of the function's register content.

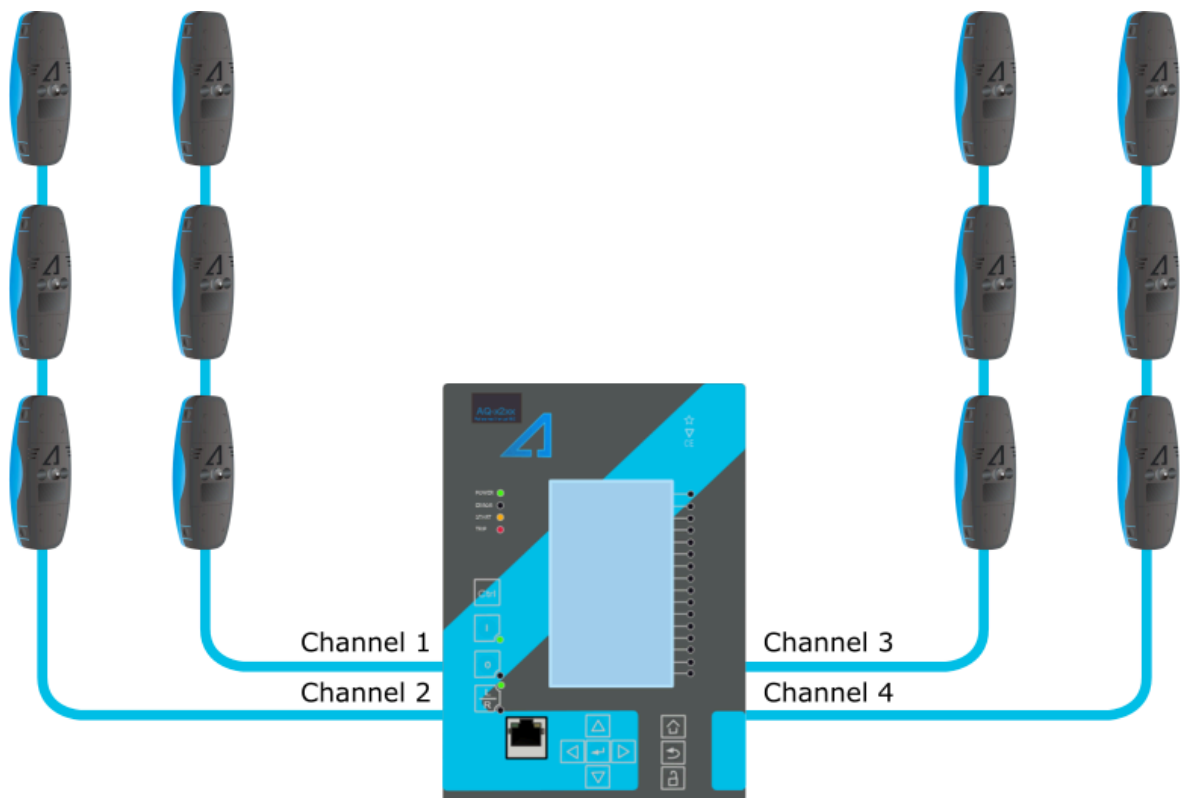
Table. 4.4.25 - 222. Register content.

Date and time	Event	>/< Mag#	Mag#/Set#	Trip time remaining	Used SG
dd.mm.yyyy hh:mm:ss.mss	Event name	The numerical value of the magnitude	Ratio between the measured magnitude and the pick-up setting	0 ms...1800s	Setting group 1...8 active

4.4.26 Arc fault protection (IArc>/IOArc>; 50Arc/50NArc)

Arc faults occur for a multitude of reasons: e.g. insulation failure, incorrect operation of the protected device, corrosion, overvoltage, dirt, moisture, incorrect wiring, or even because of aging caused by electric load. It is important to detect the arc as fast as possible in order to minimize its effects. Using arc sensors to detect arc faults is much faster than merely measuring currents and voltages. In busbar protection devices with normal protection can be too slow to disconnect arcs within a safe time frame. For example, it may be necessary to delay operation time for hundreds of milliseconds when setting up an overcurrent protection relay to control the feeder breakers to achieve selectivity. This delay can be avoided by using arc protection. The arc protection card has a high-speed output to trip signals faster as well as to extend the speed of arc protection.

Figure. 4.4.26 - 144. Protection relay equipped with arc protection.



The arc protection card has four (4) sensor channels, and up to three (3) arc point sensors can be connected to each channel. The sensor channels support Arcteq AQ-01 (light sensing) and AQ-02 (pressure and light sensing) units. Optionally, the protection function can also be applied with a phase current or a residual current condition: the function trips only if the light and overcurrent conditions are met.

The outputs of the function are the following:

- Light In
- Pressure In

- Arc binary input signal status
- Zone trip
- Zone blocked
- Sensor fault signals.

The arc protection function uses a total of eight (8) separate setting groups which can be selected from one common source.

Table. 4.4.26 - 223. Output signals of the IArc>/IOArc> function.

Outputs	Activation condition
Channel 1 Light In Channel 2 Light In Channel 3 Light In Channel 4 Light In	The arc protection card's sensor channel detects light.
Channel 1 Pressure In Channel 2 Pressure In Channel 3 Pressure In Channel 4 Pressure In	The arc protection card's sensor channel detects pressure.
ARC Binary input signal	The arc protection card's binary input is energized.
I/O Arc> Ph. curr. START I/O Arc> Res. curr. START	The measured phase current or the residual current is over the set limit.
I/O Arc> Ph. curr. BLOCKED I/O Arc> Res. curr. BLOCKED	The phase current or the residual current measurement is blocked by an input.
I/O Arc> Zone 1 TRIP I/O Arc> Zone 2 TRIP I/O Arc> Zone 3 TRIP I/O Arc> Zone 4 TRIP	All required conditions for tripping the zone are met (light OR light and current).
I/O Arc> Zone 1 BLOCKED I/O Arc> Zone 2 BLOCKED I/O Arc> Zone 3 BLOCKED I/O Arc> Zone 4 BLOCKED	All required conditions for tripping the zone are met (light OR light and current) but the tripping is blocked by an input.
I/O Arc> S1 Sensor fault I/O Arc> S2 Sensor fault I/O Arc> S3 Sensor fault I/O Arc> S4 Sensor fault	The detected number of sensors in the channel does not match the settings.

Outputs	Activation condition
I/I0 Arc> IO unit fault	The number of connected AQ-100 series units does not match the number of units set in the settings.

The operational logic consists of the following:

- input magnitude selection
- input magnitude processing
- threshold comparator
- block signal check
- output processing.

The inputs for the function are the following:

- operating mode selections
- setting parameters
- digital inputs and logic signals
- measured and pre-processed current magnitudes.

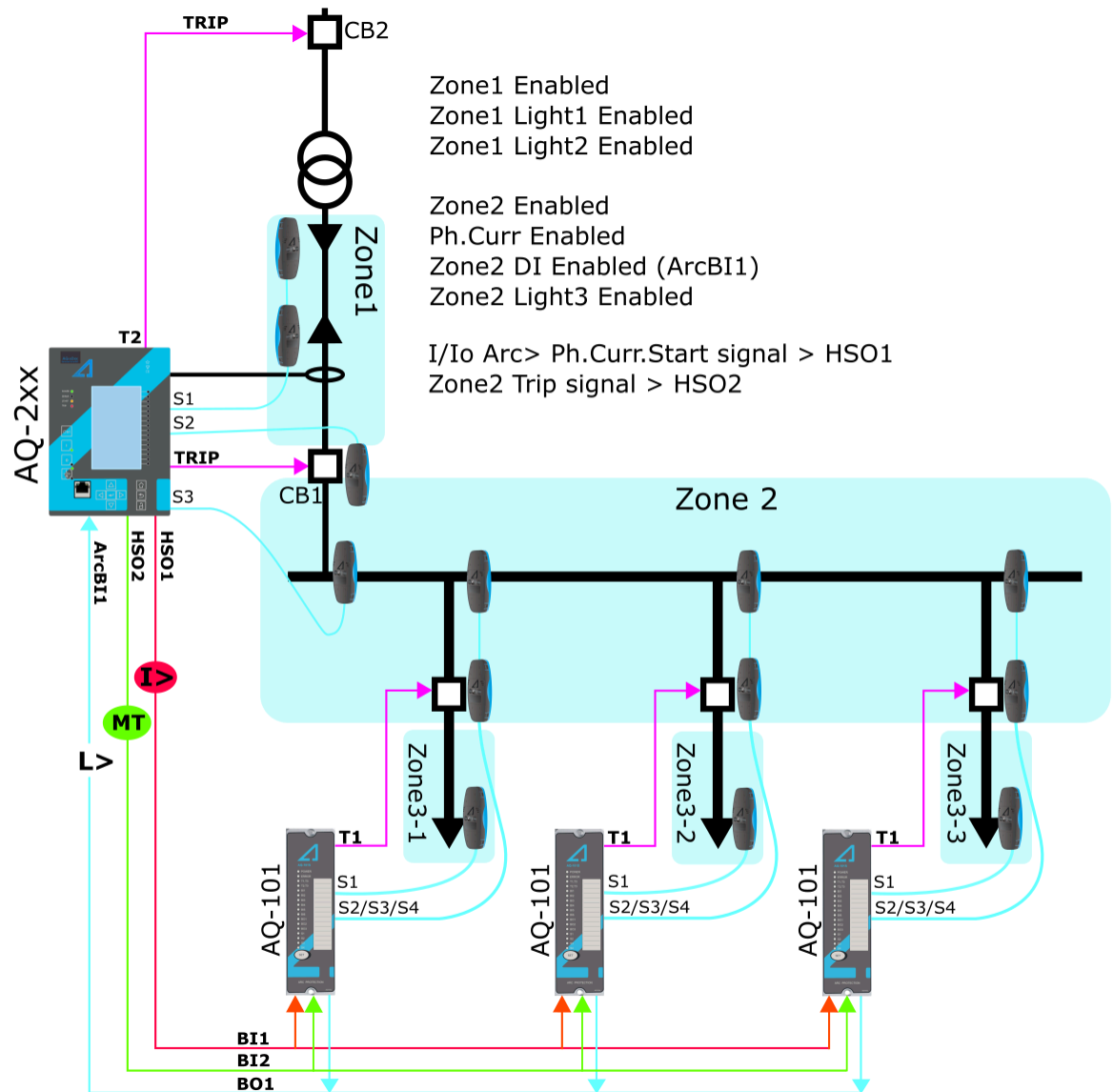
The function's outputs are TRIP, BLOCKED, light sensing etc. signals which can be used for direct I/O controlling and user logic programming. The function generates general time-stamped ON/OFF events to the common event buffer from each of the 26 output signals. The time stamp resolution is 1 ms. The function also a resettable cumulative counter for the TRIP and BLOCKED events for each zone.

Example of scheme setting

The following examples helps the user better understand how the arc protection function is set. In the examples AQ-101 models are used to extend the protection of Zone 2 and to protect each outgoing feeder (Zone 3).

Scheme IA1 is a single-line diagram with AQ-2xx series relays and with AQ-101 arc protection relays. The settings are for an incomer AQ-200 relay.

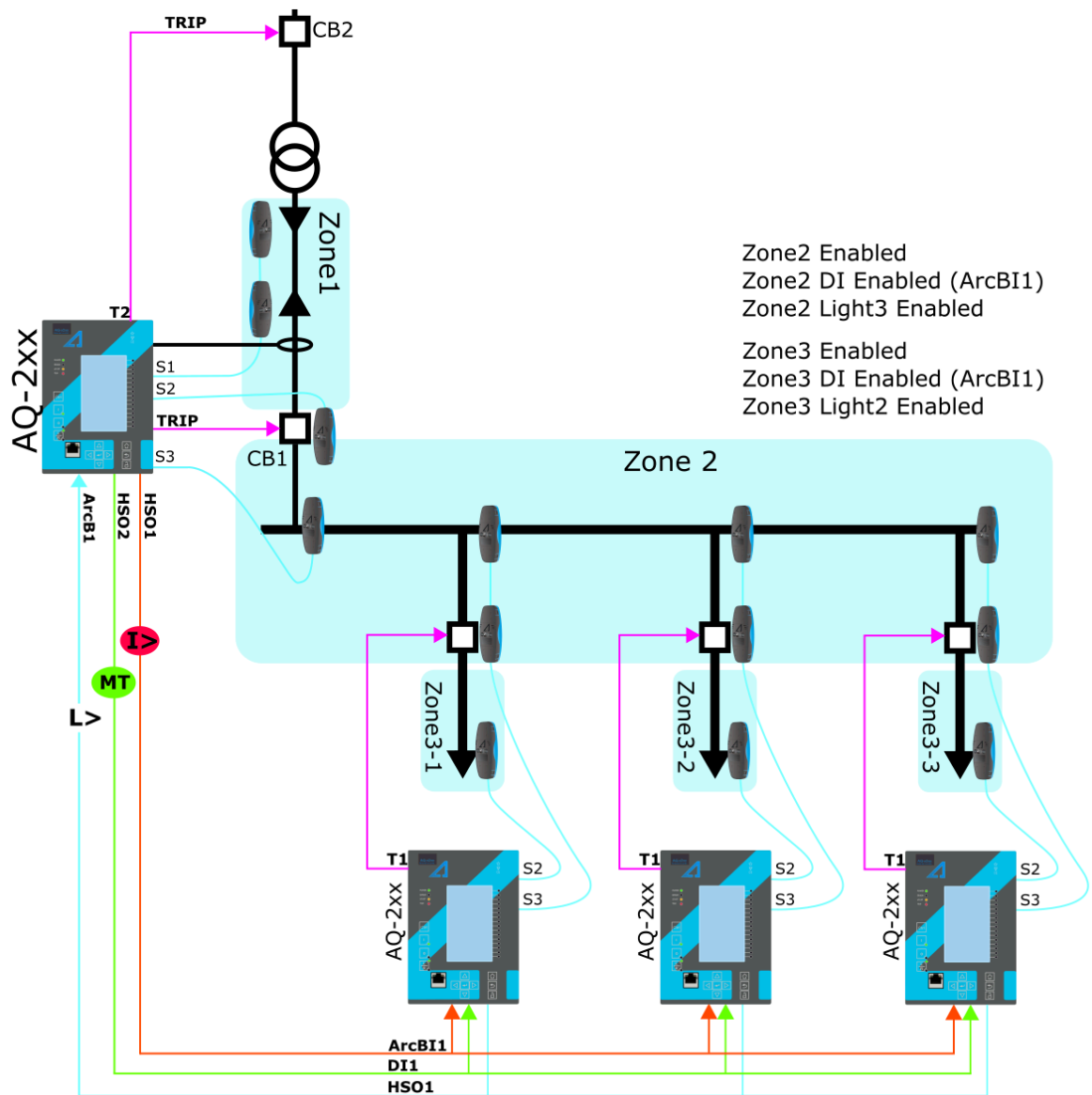
Figure. 4.4.26 - 145. Scheme IA1 (with AQ-101 arc protection relays).



To set the zones for the AQ-2xx models sensor channels start by enabling the protected zones (in this case, Zones 1 and 2). Then define which sensor channels are sensing which zones (in this case, sensor channels S1 and S2 are protecting Zone 1). Enable Light 1 of Zone 1 as well as Light 2 of Zone 2. The sensor channel S3 deals with Zone 2. Enable Light 3 of Zone 2. The high-speed output contacts HSO1 and HSO2 have been set to send overcurrent and master trip signals to the AQ-101 arc protection relays. The AQ-100 series units send out test pulses in specific intervals to check the health of the wiring between the AQ-100 series units. The parameter *I/Io Arc > Self supervision test pulse* should be activated when connecting the AQ-100 series units to the AQ-200 series arc protection card to prevent the pulses from activating ArcBI1.

The next example is almost like the previous one: it is also a single-line diagram with AQ-2xx series relays. However, this time each outgoing feeder has an AQ-2xx protection relay instead of an AQ-101 arc protection relay.

Figure. 4.4.26 - 146. Scheme IA1 (with AQ-200 protection relays).



The settings for the relay supervising the incoming feeder are the same as in the first example. The relays supervising the busbar and the outgoing feeder, however, have a different setting. Both Zones 2 and 3 need to be enabled as there are sensors connected to both Zone 2 and 3 starts. Sensors connected to the channel S3 are in Zone 2. Then enable Light 3 of Zone 2. The sensor connected to the channel S2 is in Zone 3. Then enable Light 2 of Zone 3.

If any of the channels have a pressure sensing sensor, enable it the same way as the regular light sensors. If either phase overcurrent or residual overcurrent is needed for the tripping decision, they can be enabled in the same way as light sensors in the zone. When a current channel is enabled, the measured current needs to be above the set current limit in addition to light sensing.

Measured input

Arc protection uses samples based on current measurements. If the required number of samples is found to be above the setting limit, the current condition activates. The arc protection can alternatively use either phase currents or residual currents in the tripping decision.

General settings

The following general settings define the general behavior of the function. These settings are static i.e. it is not possible to change them by editing the setting group.

Table. 4.4.26 - 224. General settings of the function.

Name	Range	Default	Description
I/I0 Arc> LN mode	1: On 2: Blocked 3: Test 4: Test/ Blocked 5: Off	1: On	Set mode of ARC block. This parameter is visible only when <i>Allow setting of individual LN mode</i> is enabled in <i>General</i> menu.
I/I0 Arc> force status to	0: Normal 1: PH curr blocked 2: PH curr Start 3: ResCurr Blocked 4: ResCurr Start 5: Zone 1 Trip 6: Zone1 Blocked 7: Zone2 Trip 8: Zone2 Blocked 9: Zone3 Trip 10: Zone3 Blocked 11: Zone4 Trip 12: Zone4 Blocked	0: Normal	Force the status of the function. Visible only when <i>Enable stage forcing</i> parameter is enabled in <i>General</i> menu.
Channel 1 sensors	0: No sensors 1: 1 sensor 2: 2 sensors 3: 3 sensors	1: No sensors	Defines the number of sensors connected to the channel (channels 1/2/3/4).
Channel 2 sensors			
Channel 3 sensors			
Channel 4 sensors			
Channel 1 sensor status	0: Sensors OK 1: Configuration fault state	-	Displays the status of the sensor channel. If the number of sensors connected to the channel does not match with the set "Channel 1/2/3/4 sensors" setting, this parameter will go to the "Configuration fault" state.

Name	Range	Default	Description
Channel 2 sensor status			
Channel 3 sensor status			
Channel 4 sensor status			

Pick-up

The pick-up of each zone of the Iarc>/IOarc> function is controlled by one of the following: the phase current pick-up setting, the residual current pick-up setting, or the sensor channels. The pick-up setting depends on which of these are activated in the zone.

Table. 4.4.26 - 225. Enabled Zone pick-up settings.

Name	Description	Range	Step	Default
Phase current pick-up	The phase current measurement's pick-up value (in p.u.).	0.05...40.00 x I _n	0.01 x I _n	1.2 x I _n
IO input selection	Selects the residual current channel (IO1 or IO2).	0: None 1: IO1 2: IO2	-	0: None
Res.current pick-up	The residual current measurement's pick-up value (in p.u.).	0.05...40.00 x I _{0n}	0.01 x I _{0n}	1.2 x I _{0n}
Zone1/2/3/4 Enabled	Enables the chosen zone. Up to 4 zones can be enabled.	0: Disabled 1: Enabled	-	0: Disabled
Zone1/2/3/4 Ph. curr. Enabled	The phase overcurrent allows the zone to trip when light is detected.	0: Disabled 1: Enabled	-	0: Disabled
Zone1/2/3/4 Res. curr. Enabled	The residual overcurrent allows the zone to trip when light is detected.	0: Disabled 1: Enabled	-	0: Disabled
Zone1/2/3/4 Light 1 Enabled	Light detected in sensor channel 1 trips the zone.	0: Disabled 1: Enabled	-	0: Disabled
Zone1/2/3/4 Light 2 Enabled	Light detected in sensor channel 2 trips the zone.	0: Disabled 1: Enabled	-	0: Disabled
Zone1/2/3/4 Light 3 Enabled	Light detected in sensor channel 3 trips the zone.	0: Disabled 1: Enabled	-	0: Disabled

Name	Description	Range	Step	Default
Zone1/2/3/ 4 Light 4 Enabled	Light detected in sensor channel 4 trips the zone.	0: Disabled 1: Enabled	-	0: Disabled
Zone1/2/3/ 4 Pres. 1 Enabled	Pressure detected in sensor channel 1 trips the zone.	0: Disabled 1: Enabled	-	0: Disabled
Zone1/2/3/ 4 Pres. 2 Enabled	Pressure detected in sensor channel 2 trips the zone.	0: Disabled 1: Enabled	-	0: Disabled
Zone1/2/3/ 4 Pres. 3 Enabled	Pressure detected in sensor channel 3 trips the zone.	0: Disabled 1: Enabled	-	0: Disabled
Zone1/2/3/ 4 Pres. 4 Enabled	Pressure detected in sensor channel 4 trips the zone.	0: Disabled 1: Enabled	-	0: Disabled
Zone1/2/3/ 4 DI Enabled	Arc protection option card digital input function selection. "Light In" mode trips the zone when digital input is active. In "Current In" mode digital input must be active at the same time as any of the sensor channels for the zone to trip.	0: Disabled 1: Light In 2: Current In	-	0: Disabled

The pick-up activation of the function is not directly equal to the TRIP signal generation of the function. The TRIP signal is allowed if the blocking condition is not active.

Read-only parameters

The relay's *Info* page displays useful, real-time information on the state of the protection function. It is accessed either through the relay's HMI display, or through the setting tool software when it is connected to the relay and its Live Edit mode is active.

Table. 4.4.26 - 226. Information displayed by the function.

Name	Range	Description
I/O Arc> LN behaviour	1: On 2: Blocked 3: Test 4: Test/Blocked 5: Off	Displays the mode of ARC block. This parameter is visible only when <i>Allow setting of individual LN mode</i> is enabled in <i>General</i> menu.
I/O Arc> condition	0: Z1 Trip 1: Z1 Blocked 2: Z2 Trip 3: Z2 Blocked 4: Z3 Trip 5: Z3 Blocked 6: Z4 Trip 7:Z4 Blocked	Displays status of the protection function.

Sensor status	0: Ph Curr Blocked 1: Ph Curr Start 2: Res Curr Blocked 3: Res Curr Start 4: Channel1 Light 5: Channel1 Pressure 6: Channel2 Light 7: Channel2 Pressure 8: Channel3 Light 9: Channel3 Pressure 10: Channel4 Light 11: Channel4 Pressure 12: Digital input 13: I/O Arc> Sensor 1 Fault 14: I/O Arc> Sensor 2 Fault 15: I/O Arc> Sensor 3 Fault 16: I/O Arc> Sensor 4 Fault 17: I/O Arc> I/O-unit Fault	Displays the general status of sensors.
---------------	--	---

Function blocking

The block signal is checked in the beginning of each program cycle. The blocking signal is received from the blocking matrix in the function's dedicated input. If the blocking signal is not activated when the pick-up element activates, a TRIP signal is generated.

If the blocking signal is active when the pick-up element activates, a BLOCKED signal is generated and the function does not process the situation further.

The blocking of the function causes an HMI display event and a time-stamped blocking event with information of the startup current values and its fault type to be issued.

The variables the user can set are binary signals from the system. The blocking signal needs to reach the device minimum of 5 ms before the set operating delay has passed in order for the blocking to activate in time.

Events and registers

The arc fault protection function (abbreviated "ARC" in event block names) generates events and registers from the status changes in START, TRIP, and BLOCKED. The user can select which event messages are stored in the main event buffer: ON, OFF, or both.

The events triggered by the function are recorded with a time stamp and with process data values.

Table. 4.4.26 - 227. Event messages.

Event block name	Event names
ARC1	Zone 1 Trip ON
ARC1	Zone 1 Trip OFF

Event block name	Event names
ARC1	Zone 1 Block ON
ARC1	Zone 1 Block OFF
ARC1	Zone 2 Trip ON
ARC1	Zone 2 Trip OFF
ARC1	Zone 2 Block ON
ARC1	Zone 2 Block OFF
ARC1	Zone 3 Trip ON
ARC1	Zone 3 Trip OFF
ARC1	Zone 3 Block ON
ARC1	Zone 3 Block OFF
ARC1	Zone 4 Trip ON
ARC1	Zone 4 Trip OFF
ARC1	Zone 4 Block ON
ARC1	Zone 4 Block OFF
ARC1	Phase current Blocked ON
ARC1	Phase current Blocked OFF
ARC1	Phase current Start ON
ARC1	Phase current Start OFF
ARC1	Residual current Blocked ON
ARC1	Residual current Blocked OFF
ARC1	Residual current Start ON
ARC1	Residual current Start OFF
ARC1	Channel 1 Light ON
ARC1	Channel 1 Light OFF
ARC1	Channel 1 Pressure ON
ARC1	Channel 1 Pressure OFF
ARC1	Channel 2 Light ON
ARC1	Channel 2 Light OFF
ARC1	Channel 2 Pressure ON
ARC1	Channel 2 Pressure OFF
ARC1	Channel 3 Light ON

Event block name	Event names
ARC1	Channel 3 Light OFF
ARC1	Channel 3 Pressure ON
ARC1	Channel 3 Pressure OFF
ARC1	Channel 4 Light ON
ARC1	Channel 4 Light OFF
ARC1	Channel 4 Pressure ON
ARC1	Channel 4 Pressure OFF
ARC1	DI Signal ON
ARC1	DI Signal OFF
ARC1	I/O Arc> Sensor 1 Fault ON
ARC1	I/O Arc> Sensor 1 Fault OFF
ARC1	I/O Arc> Sensor 2 Fault ON
ARC1	I/O Arc> Sensor 2 Fault OFF
ARC1	I/O Arc> Sensor 3 Fault ON
ARC1	I/O Arc> Sensor 3 Fault OFF
ARC1	I/O Arc> Sensor 4 Fault ON
ARC1	I/O Arc> Sensor 4 Fault OFF
ARC1	I/O Arc> I/O-unit Fault ON
ARC1	I/O Arc> I/O-unit Fault OFF

The function registers its operation into the last twelve (12) time-stamped registers. The table below presents the structure of the function's register content.

Table. 4.4.26 - 228. Register content.

Date and time	Event	Phase A current	Phase B current	Phase C current	Residual current	Active sensors	Used SG
dd.mm.yyyy hh:mm:ss.mss	Event name	Trip current	Trip current	Trip current	Trip current	1...4	Setting group 1...8 active

4.5 Control functions

4.5.1 Common signals

Common signals function has all protection function start and trip signals internally connected to Common START and TRIP output signals. When any of the activated protection functions generate a START or a TRIP signal, Common signals function will also generate the same signal.

The function's outputs are START and TRIP signals which can be used for direct I/O controlling and user logic programming. The function generates general time-stamped ON/OFF events to the common event buffer from each of the two (2) output signals. The time stamp resolution is 1 ms. The function also provides a resettable cumulative counter for the START and TRIP events.

General settings

The following general settings define the general behavior of the function. These settings are static i.e. it is not possible to change them by editing the setting group.

Table. 4.5.1 - 229. General settings of the function.

Name	Range	Default	Description
Common force status to	0: Normal 1: Start 2: Trip	0: Normal	Force the status of the function. Visible only when <i>Enable stage forcing</i> parameter is enabled in <i>General</i> menu.

Common signals function has all START and TRIP signals of protection functions internally connected to Common START and TRIP output signals. But it is also possible to assign extra signals to activate Common START and TRIP.

Table. 4.5.1 - 230. Common signals extra inputs.

Name	Description
Common Start In	Assign extra signals to activate common START signal. Please note that all protection function START signals are already assigned internally to Common START.
Common Trip In	Assign extra signals to activate common TRIP signal. Please note that all protection function TRIP signals are already assigned internally to Common TRIP.

Read-only parameters

The relay's *Info* page displays useful, real-time information on the state of the protection function. It is accessed either through the relay's HMI display, or through the setting tool software when it is connected to the relay and its Live Edit mode is active.

Table. 4.5.1 - 231. Information displayed by the function.

Name	Range	Step	Description
Common signals condition	0: Normal 1: Start 2: Trip	-	Displays status of the function.

Function blocking

Common signals function itself doesn't have blocking input signals. Blocking of tripping should be done in each protection function settings.

Events and registers

The common signals function (abbreviated "GNSIG" in event block names) generates events and registers from the status changes in START and TRIP. The user can select which event messages are stored in the main event buffer: ON, OFF, or both.

The events triggered by the function are recorded with a time stamp and with process data values.

Table. 4.5.1 - 232. Event messages.

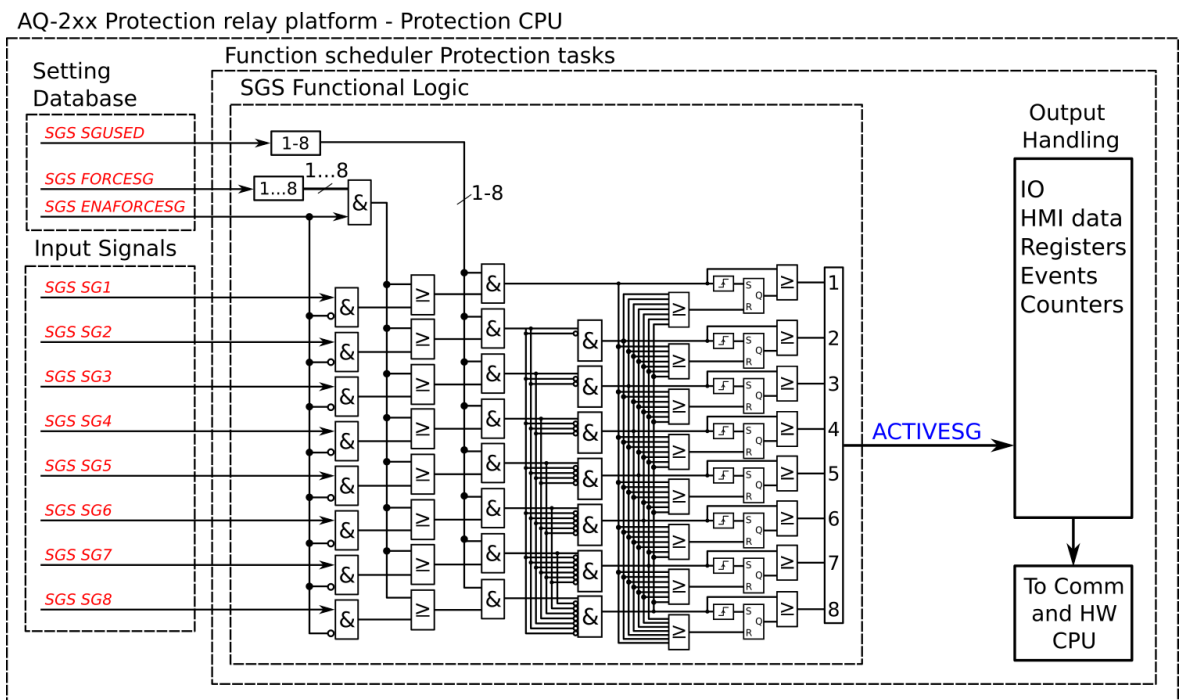
Event block name	Event names
GNSIG	Common Start ON
GNSIG	Common Start OFF
GNSIG	Common Trip ON
GNSIG	Common Trip OFF

4.5.2 Setting group selection

All relay types support up to eight (8) separate setting groups. The Setting group selection function block controls the availability and selection of the setting groups. By default, only Setting group 1 (SG1) is active and therefore the selection logic is idle. When more than one setting group is enabled, the setting group selector logic takes control of the setting group activations based on the logic and conditions the user has programmed.

The following figure presents a simplified function block diagram of the setting group selection function.

Figure. 4.5.2 - 147. Simplified function block diagram of the setting group selection function.

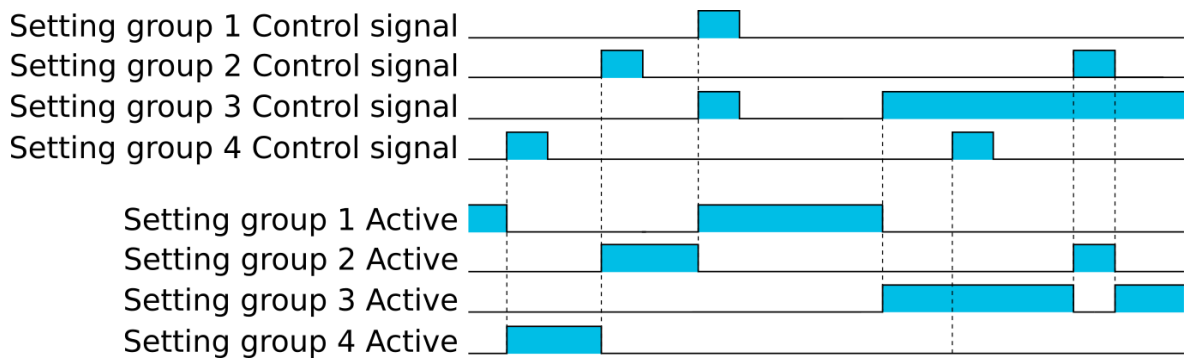


Setting group selection can be applied to each of the setting groups individually by activating one of the various internal logic inputs and connected digital inputs. The user can also force any of the setting groups on when the "Force SG change" setting is enabled by giving the wanted quantity of setting groups as a number in the communication bus or in the local HMI, or by selecting the wanted setting group from *Control* → *Setting groups*. When the forcing parameter is enabled, the automatic control of the local device is overridden and the full control of the setting groups is given to the user until the "Force SG change" is disabled again.

Setting groups can be controlled either by pulses or by signal levels. The setting group controller block gives setting groups priority values for situations when more than one setting group is controlled at the same time: the request from a higher-priority setting group is taken into use.

Setting groups follow a hierarchy in which setting group 1 has the highest priority, setting group 2 has second highest priority etc. If a static activation signal is given for two setting groups, the setting group with higher priority will be active. If setting groups are controlled by pulses, the setting group activated by pulse will stay active until another setting groups receives an activation signal.

Figure. 4.5.2 - 148. Example sequences of group changing (control with pulse only, or with both pulses and static signals).



Settings and signals

The settings of the setting group control function include the active setting group selection, the forced setting group selection, the enabling (or disabling) of the forced change, the selection of the number of active setting groups in the application, as well as the selection of the setting group changed remotely. If the setting group is forced to change, the corresponding setting group must be enabled and the force change must be enabled. Then, the setting group can be set from communications or from HMI to any available group. If the setting group control is applied with static signals right after the "Force SG" parameter is released, the application takes control of the setting group selection.

Table. 4.5.2 - 233. Settings of the setting group selection function.

Name	Range	Default	Description
Active setting group	0: SG1 1: SG2 2: SG3 3: SG4 4: SG5 5: SG6 6: SG7 7: SG8	SG1	Displays which setting group is active.

Name	Range	Default	Description
Force setting group	0: None 1: SG1 2: SG2 3: SG3 4: SG4 5: SG5 6: SG6 7: SG7 8: SG8	0: None	The selection of the overriding setting group. After "Force SG change" is enabled, any of the configured setting groups in the relay can be overridden. This control is always based on the pulse operating mode. It also requires that the selected setting group is specifically controlled to ON after "Force SG" is disabled. If there are no other controls, the last set setting group remains active.
Force setting group change	0: Disabled 1: Enabled	0: Disabled	The selection of whether the setting group forcing is enabled or disabled. This setting has to be active before the setting group can be changed remotely or from a local HMI. This parameter overrides the local control of the setting groups and it remains on until the user disables it.
Used setting groups	0: SG1 1: SG1...2 2: SG1...3 3: SG1...4 4: SG1...5 5: SG1...6 6: SG1...7 7: SG1...8	0: SG1	The selection of the activated setting groups in the application. Newly-enabled setting groups use default parameter values.
Remote setting group change	0: None 1: SG1 2: SG2 3: SG3 4: SG4 5: SG5 6: SG6 7: SG7 8: SG8	0: None	This parameter can be controlled through SCADA to change the setting group remotely. Please note that if a higher priority setting group is being controlled by a signal, a lower priority setting group cannot be activated with this parameter.

Table. 4.5.2 - 234. Signals of the setting group selection function.

Name	Description
Setting group 1	The selection of Setting group 1 ("SG1"). Has the highest priority input in setting group control. Can be controlled with pulses or static signals. If static signal control is applied, no other SG requests will be processed.
Setting group 2	The selection of Setting group 2 ("SG2"). Has the second highest priority input in setting group control. Can be controlled with pulses or static signals. If static signal control is applied, no requests with a lower priority than SG1 will be processed.
Setting group 3	The selection of Setting group 3 ("SG3"). Has the third highest priority input in setting group control. Can be controlled with pulses or static signals. If static signal control is applied, no requests with a lower priority than SG1 and SG2 will be processed.
Setting group 4	The selection of Setting group 4 ("SG4"). Has the fourth highest priority input in setting group control. Can be controlled with pulses or static signals. If static signal control is applied, no requests with a lower priority than SG1, SG2 and SG3 will be processed.

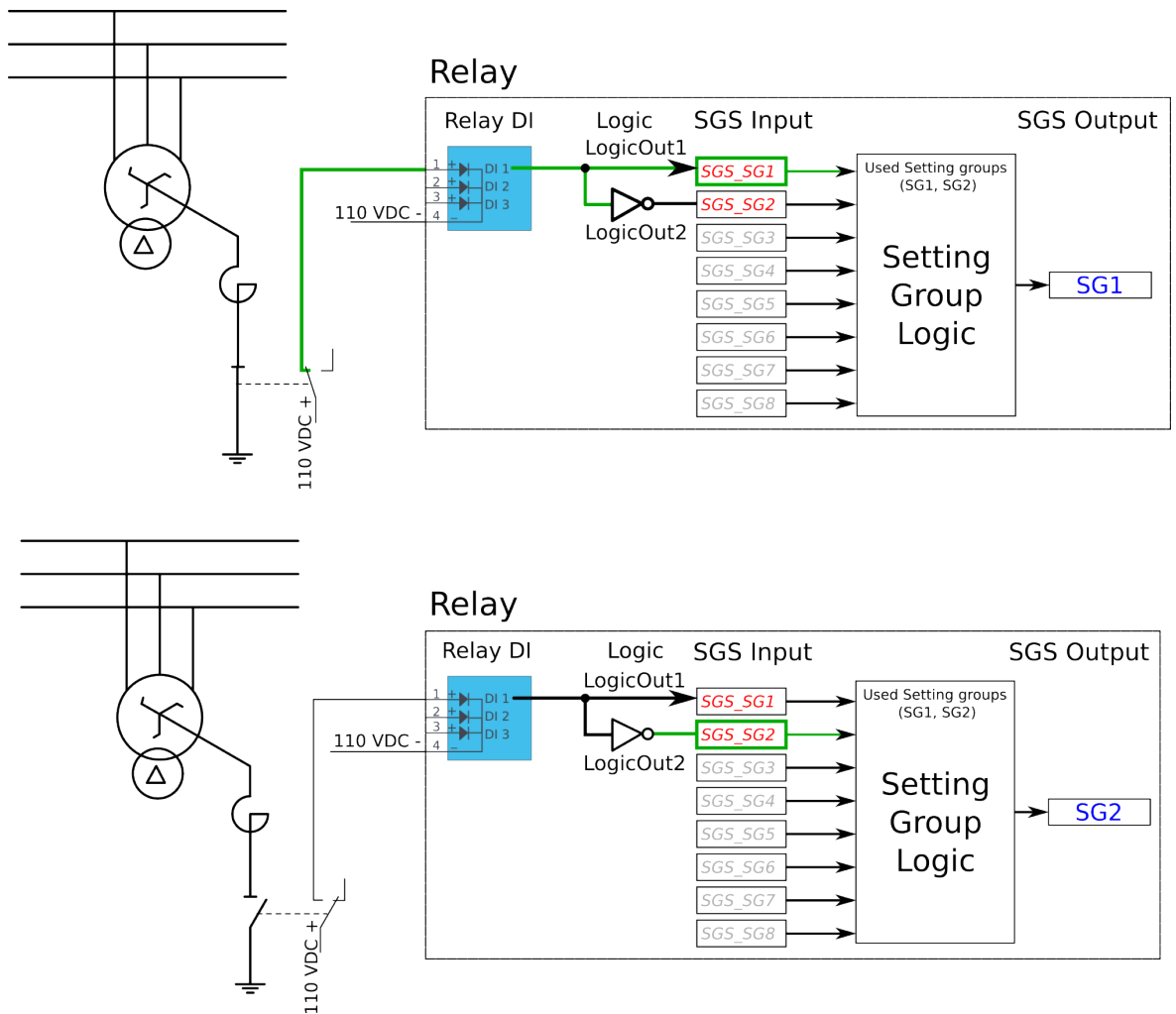
Name	Description
Setting group 5	The selection of Setting group 5 ("SG5"). Has the fourth lowest priority input in setting group control. Can be controlled with pulses or static signals. If static signal control is applied, SG6, SG7 and SG8 requests will not be processed.
Setting group 6	The selection of Setting group 6 ("SG6"). Has the third lowest priority input in setting group control. Can be controlled with pulses or static signals. If static signal control is applied, SG7 and SG8 requests will not be processed.
Setting group 7	The selection of Setting group 7 ("SG7"). Has the second lowest priority input in setting group control. Can be controlled with pulses or static signals. If static signal control is applied, only SG8 requests will not be processed.
Setting group 8	The selection of Setting group 8 ("SG8"). Has the lowest priority input in setting group control. Can be controlled with pulses or static signals. If static signal control is applied, all other SG requests will be processed regardless of the signal status of this setting group.

Example applications for setting group control

This chapter presents some of the most common applications for setting group changing requirements.

A Petersen coil compensated network usually uses directional sensitive earth fault protection. The user needs to control its characteristics between varmetric and wattmetric; the selection is based on whether the Petersen coil is connected when the network is compensated, or whether it is open when the network is unearthed.

Figure. 4.5.2 - 149. Setting group control – one-wire connection from Petersen coil status.



Depending on the application's requirements, the setting group control can be applied either with a one-wire connection or with a two-wire connection by monitoring the state of the Petersen coil connection.

When the connection is done with one wire, the setting group change logic can be applied as shown in the figure above. The status of the Petersen coil controls whether Setting group 1 is active. If the coil is disconnected, Setting group 2 is active. This way, if the wire is broken for some reason, the setting group is always controlled to SG2.

Figure. 4.5.2 - 150. Setting group control – two-wire connection from Petersen coil status.

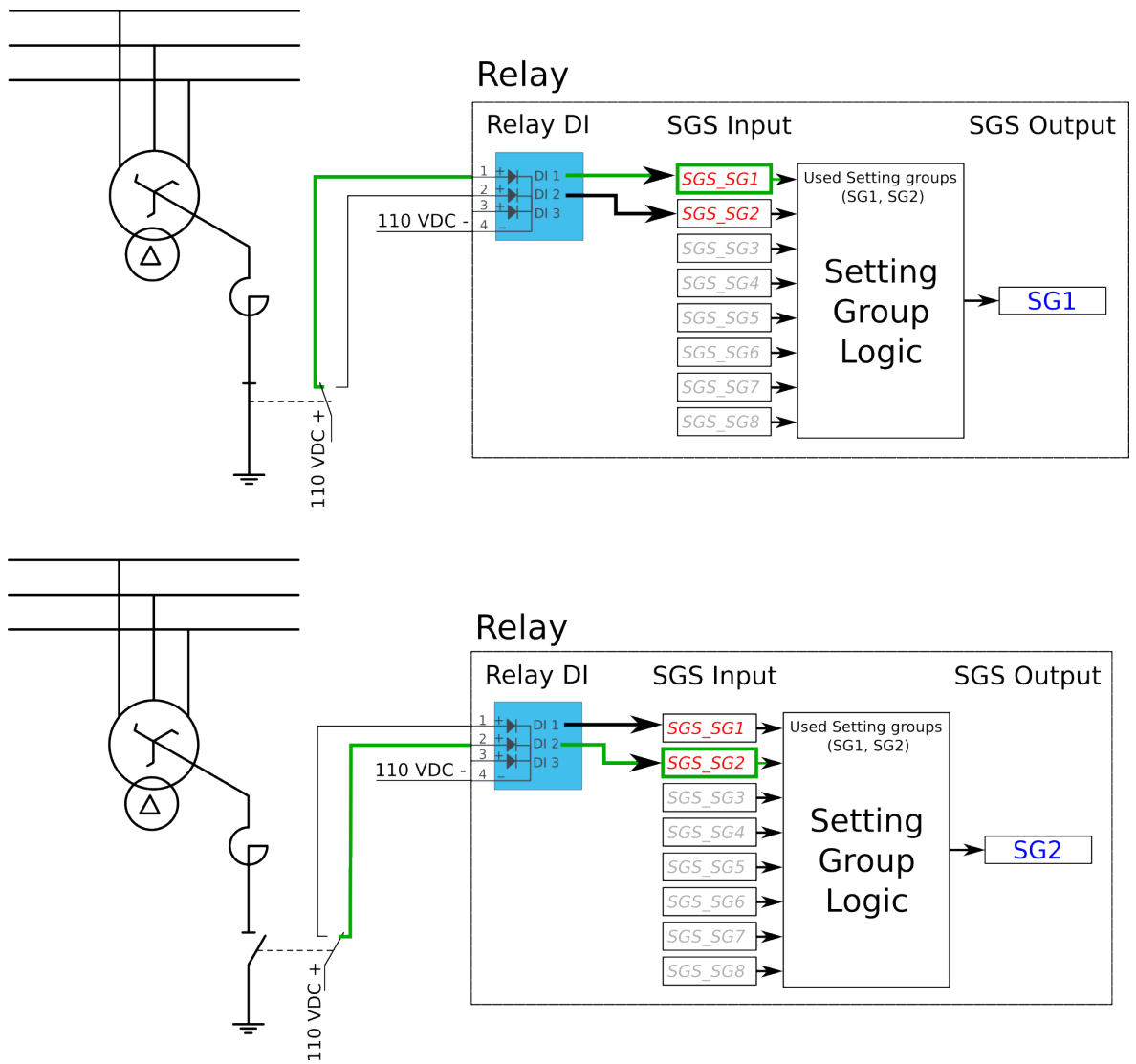
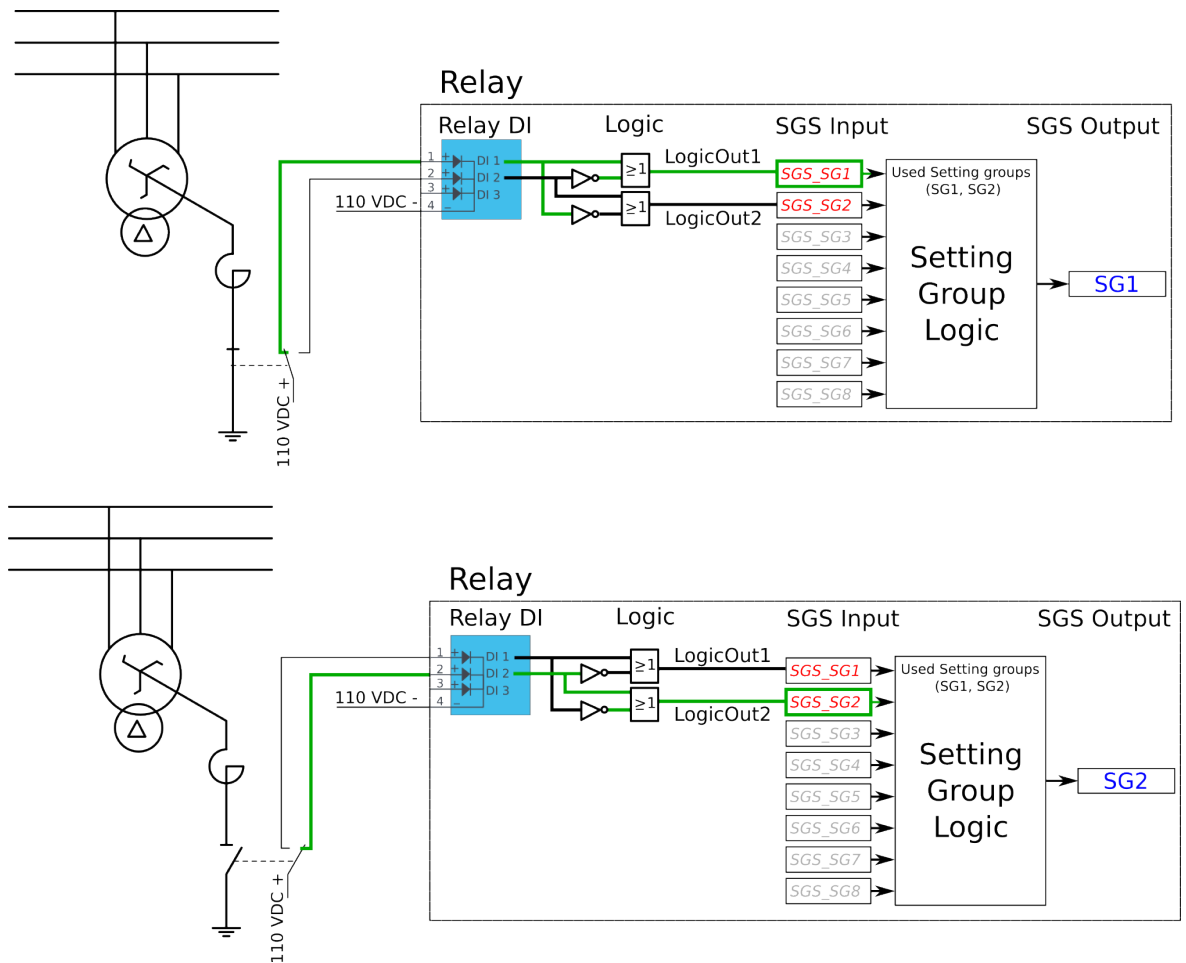


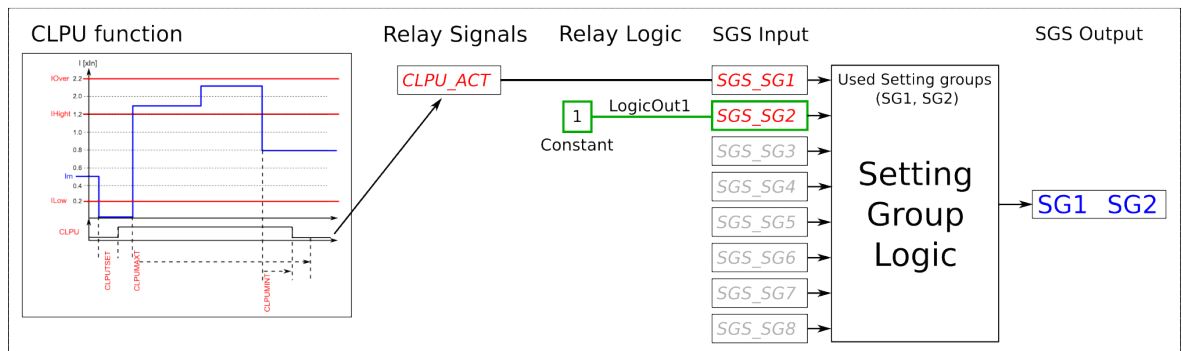
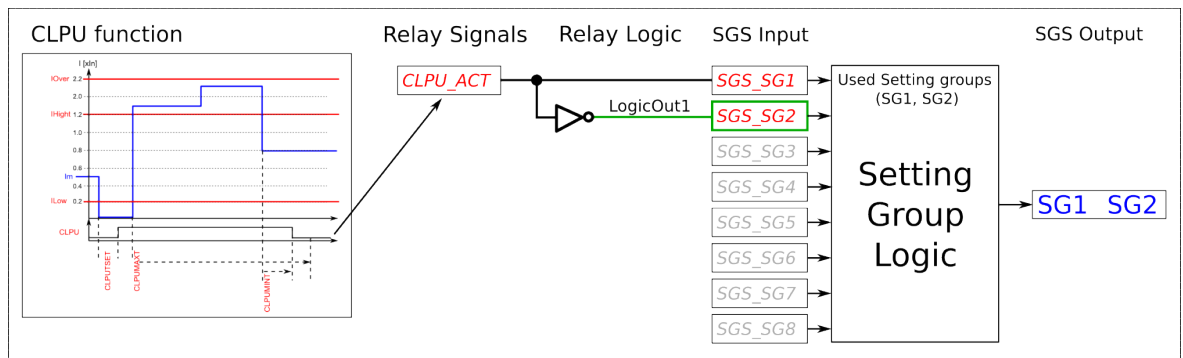
Figure. 4.5.2 - 151. Setting group control – two-wire connection from Petersen coil status with additional logic.



The images above depict a two-wire connection from the Petersen coil: the two images at the top show a direct connection, while the two images on the bottom include additional logic. With a two-wire connection the state of the Petersen coil can be monitored more securely. The additional logic ensures that a single wire loss will not affect the correct setting group selection.

The application-controlled setting group change can also be applied entirely from the relay's internal logics. For example, the setting group change can be based on the cold load pick-up function (see the image below).

Figure. 4.5.2 - 152. Entirely application-controlled setting group change with the cold load pick-up function.



In these examples the cold load pick-up function's output is used for the automatic setting group change. Similarly to this application, any combination of the signals available in the relay's database can be programmed to be used in the setting group selection logic.

As all these examples show, setting group selection with application control has to be built fully before they can be used for setting group control. The setting group does not change back to SG1 unless it is controlled back to SG1 by this application; this explains the inverted signal NOT as well as the use of logics in setting group control. One could also have SG2 be the primary SG, while the ON signal would be controlled by the higher priority SG1; this way the setting group would automatically return to SG2 after the automatic control is over.

Events

The setting group selection function block (abbreviated "SGS" in event block names) generates events from its controlling status, its applied input signals, enabling and disabling of setting groups, as well as unsuccessful control changes. The function does not have a register.

Table. 4.5.2 - 235. Event messages.

Event block name	Event names
SGS	SG2 Enabled
SGS	SG2 Disabled
SGS	SG3 Enabled
SGS	SG3 Disabled
SGS	SG4 Enabled
SGS	SG4 Disabled

Event block name	Event names
SGS	SG5 Enabled
SGS	SG5 Disabled
SGS	SG6 Enabled
SGS	SG6 Disabled
SGS	SG7 Enabled
SGS	SG7 Disabled
SGS	SG8 Enabled
SGS	SG8 Disabled
SGS	SG1 Request ON
SGS	SG1 Request OFF
SGS	SG2 Request ON
SGS	SG2 Request OFF
SGS	SG3 Request ON
SGS	SG3 Request OFF
SGS	SG4 Request ON
SGS	SG4 Request OFF
SGS	SG5 Request ON
SGS	SG5 Request OFF
SGS	SG6 Request ON
SGS	SG6 Request OFF
SGS	SG7 Request ON
SGS	SG7 Request OFF
SGS	SG8 Request ON
SGS	SG8 Request OFF
SGS	Remote Change SG Request ON
SGS	Remote Change SG Request OFF
SGS	Local Change SG Request ON
SGS	Local Change SG Request OFF
SGS	Force Change SG ON
SGS	Force Change SG OFF
SGS	SG Request Fail Not configured SG ON

Event block name	Event names
SGS	SG Request Fail Not configured SG OFF
SGS	Force Request Fail Force ON
SGS	Force Request Fail Force OFF
SGS	SG Req. Fail Lower priority Request ON
SGS	SG Req. Fail Lower priority Request OFF
SGS	SG1 Active ON
SGS	SG1 Active OFF
SGS	SG2 Active ON
SGS	SG2 Active OFF
SGS	SG3 Active ON
SGS	SG3 Active OFF
SGS	SG4 Active ON
SGS	SG4 Active OFF
SGS	SG5 Active ON
SGS	SG5 Active OFF
SGS	SG6 Active ON
SGS	SG6 Active OFF
SGS	SG7 Active ON
SGS	SG7 Active OFF
SGS	SG8 Active ON
SGS	SG8 Active OFF

4.5.3 Object control and monitoring

The object control and monitoring function takes care of both for circuit breakers and disconnectors. The monitoring and controlling are based on the statuses of the relay's configured digital inputs and outputs. The number of controllable and monitored objects in each relay depends on the device type and amount of digital inputs. One controllable object requires a minimum of two (2) output contacts. The status monitoring of one monitored object usually requires two (2) digital inputs. Alternatively, object status monitoring can be performed with a single digital input: the input's active state and its zero state (switched to 1 with a NOT gate in the Logic editor).

An object can be controlled manually or automatically. Manual control can be done by local control, or by remote control. Local manual control can be done by relays front panel (HMI) or by external push buttons connected to relays digital inputs. Manual remote control can be done through one of the various communication protocols available (Modbus, IEC101/103/104 etc.). The function supports the modes "Direct control" and "Select before execute" while controlled remotely. Automatic controlling can be done with functions like auto-reclosing function (ANSI 79).

Object control consists of the following:

- control logic
- control monitor
- output handler.

The main outputs of the function are the OBJECT OPEN and OBJECT CLOSE control signals. Additionally, the function reports the monitored object's status and applied operations. The setting parameters are static inputs for the function, which can only be changed by the user in the function's setup phase.

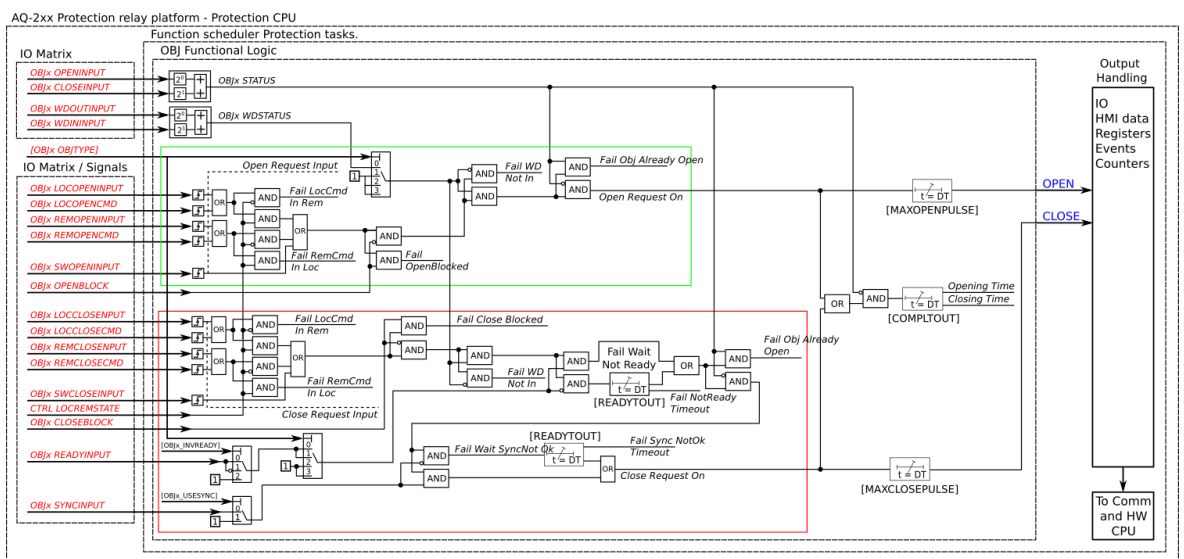
The inputs for the function are the following:

- digital input status indications (the OPEN and CLOSE status signals)
- blockings (if applicable)
- the OBJECT READY and SYNCHROCHECK monitor signals (if applicable).
- Withdrawable cart IN and OUT status signals (if applicable).

The function generates general time stamped ON/OFF events to the common event buffer from each of the two (2) output signals as well as several operational event signals. The time stamp resolution is 1 ms. The function also provides a resettable cumulative counter for OPEN, CLOSE, OPEN FAILED, and CLOSE FAILED events.

The following figure presents a simplified function block diagram of the object control and monitoring function.

Figure. 4.5.3 - 153. Simplified function block diagram of the object control and monitoring function.



Settings

The following parameters help the user to define the object. The operation of the function varies based on these settings and the selected object type. The selected object type determines how much control is needed and which setting parameters are required to meet those needs.

Table. 4.5.3 - 236. Object settings and status parameters.

Name	Range	Default	Description
Local/Remote status	0: Local 1: Remote	1: Remote	Displays the status of the relay's "local/remote" switch. Local controls cannot override the open and close commands while device is in "Remote" status. The remote controls cannot override the open and close commands while device is in "Local" status.
Object status force to	0: Normal 1: Openreq On 2: Closereq On 3: Opensignal On 4: Closesignal On 5: WaitNoRdy On 6: WaitNoSnc On 7: NotrdyFail On 8: NosyncFail On 9: Opentout On 10: Clotout On 11: OpenreqUSR On 12: CloreqUSR On	0: Normal	Force the status of the function. Visible only when <i>Enable stage forcing</i> parameter is enabled in <i>General</i> menu.
OBJ LN mode	1: On 2: Blocked 3: Test 4: Test/Blocked 5: Off	1: On	Set mode of OBJ block. This parameter is visible only when <i>Allow setting of individual LN mode</i> is enabled in <i>General</i> menu.
OBJ LN behaviour	1: On 2: Blocked 3: Test 4: Test/Blocked 5: Off	-	Displays the mode of OBJ block. This parameter is visible only when <i>Allow setting of individual LN mode</i> is enabled in <i>General</i> menu.
Object name	-	Objectx	The user-set name of the object, at maximum 32 characters long.
Object type	0: Withdrawable circuit breaker 1: Circuit breaker 2: Disconnecter (MC) 3: Disconnecter (GND)	1: Circuit breaker	The selection of the object type. This selection defines the number of required digital inputs for the monitored object. This affects the symbol displayed in the HMI and the monitoring of the circuit breaker. It also affects whether the withdrawable cart is in/out status is monitored. See the next table ("Object types") for a more detailed look at which functionalities each of the object types have.
Objectx Breaker status	0: Intermediate 1: Open 2: Closed 3: Bad	-	Displays the status of breaker. Intermediate is displayed when neither of the status signals (open or close) are active. Bad status is displayed when both status signals (open and close) are active.

Name	Range	Default	Description
Objectx Withdraw status	0: WDIntermediate 1: WDCartOut 2: WDCart In 3: WDBad 4: Not in use	-	Displays the status of circuit breaker cart. WDIntermediate is displayed when neither of the status signals (in or out) are active. WDBad status is displayed when both status signals (in and out) are active. If the selected object type is not set to "Withdrawable circuit breaker", this setting displays the "No in use" option.
Additional status information	0: Open Blocked 1: Open Allowed 2: Close Blocked 3: Close Allowed 4: Object Ready 5: Object Not Ready 6: Sync Ok 7: Sync Not Ok	-	Displays additional information about the status of the object.
Use Synchrocheck	0: Not in use 1: Synchrocheck in use	0: Not in use	Selects whether the "Synchrocheck" condition is in use for the circuit breaker close command. If "In use" is selected the input chosen to "Sync.check status in" has to be active to be able to close circuit breaker. Synchrocheck status can be either an internal signal generated by synchrocheck function or digital input activation with an external synchrocheck device.
Use Object ready	0: Ready High 1: Ready Low 2: Not in use	2: Not in use	Selects whether the "Object ready" condition is in use for the circuit breaker close command. If in use the signal connected to "Object ready status In" has to be high or low to be able to close the breaker (depending on "Ready High or Low" selection).
Open requests	0...2 ³² -1	-	Displays the number of successful "Open" requests.
Close requests	0...2 ³² -1	-	Displays the number of successful "Close" requests.
Open requests failed	0...2 ³² -1	-	Displays the number of failed "Open" requests.
Close requests failed	0...2 ³² -1	-	Displays the number of failed "Close" requests.
Clear statistics	0: - 1: Clear	0: -	Clears the request statistics, setting them back to zero (0). Automatically returns to "-" after the clearing is finished.

Table. 4.5.3 - 237. Object types.

Name	Functionalities	Description
Withdrawable circuit breaker	Breaker cart position Circuit breaker position Circuit breaker control Object ready check before closing breaker Synchrochecking before closing breaker Interlocks	The monitor and control configuration of the withdrawable circuit breaker.
Circuit breaker	Position indication Control Object ready check before closing breaker Synchrochecking before closing breaker Interlocks	The monitor and control configuration of the circuit breaker.
Disconnecter (MC)	Position indication Control	The position monitoring and control of the disconnecter.
Disconnecter (GND)	Position indication	The position indication of the earth switch.

Table. 4.5.3 - 238. I/O.

Signal	Range	Description
Objectx Open input ("Objectx Open Status In")	Digital input or other logical signal selected by the user (SWx)	A link to a physical digital input. The monitored object's OPEN status. "1" refers to the active open state of the monitored object.
Objectx Close input ("Objectx Close Status In")		A link to a physical digital input. The monitored object's CLOSE status. "1" refers to the active close state of the monitored object.
WD Object In ("Withdrw.CartIn.Status In")		A link to a physical digital input. The monitored withdrawable object's position is IN. "1" means that the withdrawable object cart is in.
WD Object Out ("Withdrw.CartOut.Status In")		A link to a physical digital input. The monitored withdrawable object's position is OUT. "1" means that the withdrawable object cart is pulled out.
Object Ready (Objectx Ready status In")		A link to a physical digital input. Indicates that status of the monitored object. "1" means that the object is ready and the spring is charged for a close command.
Syncrocheck permission ("Sync.Check status In")		A link to a physical digital input or a synchrocheck function. "1" means that the synchrocheck conditions are met and the object can be closed.
Objectx Open command ("Objectx Open Command")		OUT1...OUTx
Objectx Close command ("Objectx Close Command")	The physical "Close" command pulse to the device's output relay.	

Table. 4.5.3 - 239. Operation settings.

Name	Range	Step	Default	Description
Breaker traverse time	0.02...500.00 s	0.02 s	0.2 s	Determines the maximum time between open and close statuses when the breaker switches. If this set time is exceeded and both open and closed status inputs are active, the status "Bad" is activated in the "Objectx Breaker status" setting. If neither of the status inputs are active after this delay, the status "Intermediate" is activated.
Maximum Close command pulse length	0.02...500.00 s	0.02 s	0.2 s	Determines the maximum length for a Close pulse from the output relay to the controlled object. If the object operates faster than this set time, the control pulse is reset and a status change is detected.
Maximum Open command pulse length	0.02...500.00 s	0.02 s	0.2 s	Determines the maximum length for a Open pulse from the output relay to the controlled object. If the object operates faster than this set time, the control pulse is reset and a status change is detected.
Control termination timeout	0.02...500.00 s	0.02 s	10 s	Determines the control pulse termination timeout. If the object has not changed its status in this given time the function will issue an error event and the control is ended. This parameter is common for both open and close commands.
Final trip pulse length	0.00...500.00 s	0.02 s	0.2 s	Determines the length of the final trip pulse length. When the object has executed the final trip, this signal activates. If set to 0 s, the signal is continuous. If the auto-recloser function controls the object, "final trip" signal is activated only when there are no automatic reclosings expected after opening the breaker.

Table. 4.5.3 - 240. Control settings (DI and Application).

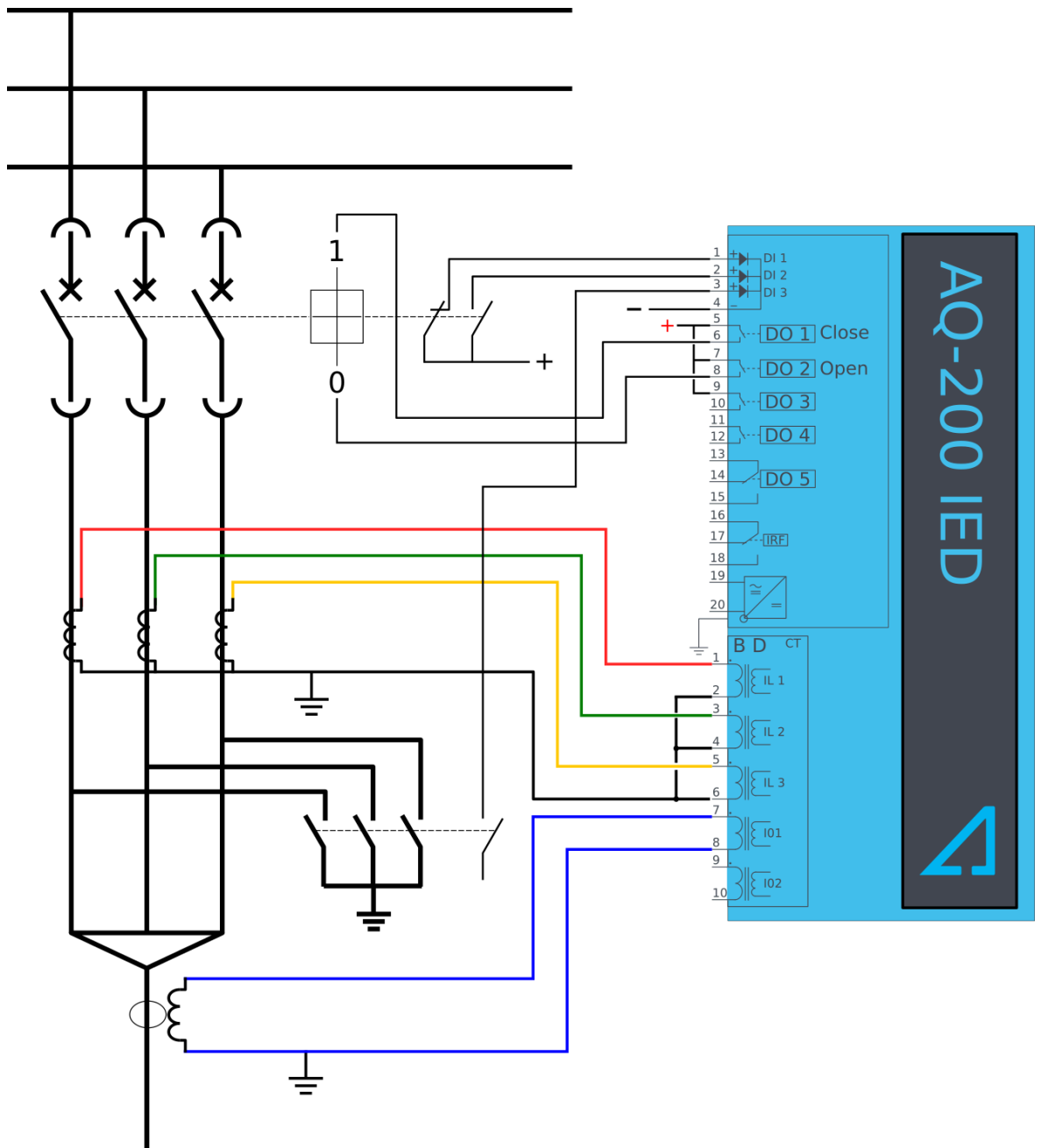
Signal	Range	Description
Access level for MIMIC control	0: User 1: Operator 2: Configurator 3: Super user	Defines what level of access is required for MIMIC control. The default is the "Configurator" level.
Objectx LOCAL Close control input	Digital input or other logical signal selected by the user	The local Close command from a physical digital input (e.g. a push button).
Objectx LOCAL Open control input		The local Open command from a physical digital input (e.g. a push button).
Objectx REMOTE Close control input		The remote Close command from a physical digital input (e.g. RTU).
Objectx REMOTE Open control input		The remote Open command from a physical digital input (e.g. RTU).
Objectx Application Close		The Close command from the application. Can be any logical signal.
Objectx Application Open		The Close command from the application. Can be any logical signal.

Blocking and interlocking

The interlocking and blocking conditions can be set for each controllable object, with Open and Close set separately. Blocking and interlocking can be based on any of the following: other object statuses, a software function or a digital input.

The image below presents an example of an interlock application, where the closed earthing switch interlocks the circuit breaker close command.

Figure. 4.5.3 - 154. Example of an interlock application.

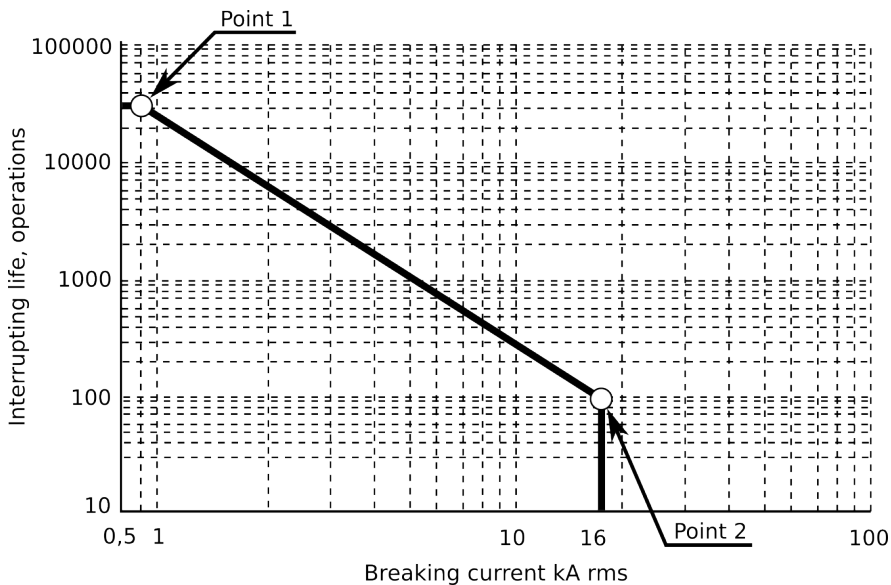


In order for the blocking signal to be received on time, it has to reach the function 5 ms before the control command.

Object condition monitoring (circuit breaker wear monitor)

Each object has integrated circuit breaker wear monitor. The circuit breaker wear function is used for monitoring the circuit breaker's lifetime and its maintenance needs caused by interrupting currents and mechanical wear. The function uses the circuit breaker's manufacturer-supplied data for the breaker operating cycles in relation to the interrupted current magnitudes.

Figure. 4.5.3 - 155. Example of the circuit breaker interrupting life operations. Points 1 and 2 are user settable.



The function is triggered from the circuit breaker's "Open" command output and it monitors the three-phase current values in both the tripping moment and the normal breaker opening moment. The maximum value of interrupting life operations for each phase is calculated from these currents. The value is cumulatively deducted from the starting operations starting value. The user can set up two separate alarm levels, which are activated when the value of interrupting life operations is below the setting limit. The "Trip contact" setting defines the output that triggers the current monitoring at the breaker's "Open" command. The function's outputs are ALARM 1 and ALARM 2 signals which can be used for direct I/O controlling and user logic programming.

The function block uses analog current measurement values and always uses the RMS magnitude of the current measurement input.

Table. 4.5.3 - 241. Measurement inputs of the circuit breaker wear function.

Signal	Description	Time base
IL1RMS	RMS measurement of phase L1 (A) current	5ms
IL2RMS	RMS measurement of phase L2 (B) current	5ms
IL3RMS	RMS measurement of phase L3 (C) current	5ms

Condition monitoring parameters can be found from *Control* → *Objects* → *Object X* → *APP CONTR* → *Condition Monitoring*.

Table. 4.5.3 - 242. Breaker supervision settings and status indications.

Name	Range	Default	Description
Condition monitoring	0: Disabled 1: Enabled	0: Disabled	Enabled the breaker condition monitoring function.
Condition monitor status	0: Normal 1: Alarm1 On 2: Alarm2 On	-	Displays the status of the monitor.
Open operations	0...4 294 967 295	-	Displays the total amount of breaker open operations.
Operation time open	0...4 294 967 295 ms	-	Displays the latest breaker opening time.
Close operations	0...4 294 967 295	-	Displays the total amount of breaker close operations.
Operation time close	0...4 294 967 295 ms	-	Displays the latest breaker closing time.
L1 Operations Left	0...4 294 967 295	-	Displays the amount of operations left in each phase.
L2 Operations Left			
L3 Operations Left			
Object Cumulated operations	0...4 294 967 295	-	Displays the total amount of operations.
Clear condition monitoring statistics	0: - 1: Clear	-	Clears the operation statistics.
Operations with Current 1 Value allowed	0...200 000	50000	Defines the amount of operations with lower current values. See figure above.
Current 1 Value	0.00...100.00 kA	1.00 kA	Defines the lower current turnpoint. See figure above.
Operations with Current 2 Value allowed	0...200 000	100	Defines amount of operations with higher current values. See figure above.
Current 2 Value	0.00...100.00 kA	20.00 kA	Defines the higher current turnpoint. See figure above.
Condition Alarm 1 Enable	0: Disabled 1: Enabled	0: Disabled	Enables Alarm 1.
Condition Alarm 1 when operations less than	0...200 000	1000	When the amount of operations left is less than value set here, Alarm 1 will activate.
Condition Alarm 2 Enable	0: Disabled 1: Enabled	0: Disabled	Enables Alarm 2.
Condition Alarm 2 when operations less than	0...200 000	100	When the amount of operations left is less than value set here, Alarm 2 will activate.

Events and registers

The object control and monitoring function (abbreviated "OBJ" in event block names) generates events and registers from the status changes in monitored signals as well as control command fails and operations. The user can select which event messages are stored in the main event buffer: ON, OFF, or both.

The function registers its operation into the last twelve (12) time-stamped registers. The events triggered by the function are recorded with a time stamp and with process data values.

Table. 4.5.3 - 243. Event messages of the OBJ function instances 1 – 10.

Event block name	Description
OBJ1...OBJ10	Object Intermediate
OBJ1...OBJ10	Object Open
OBJ1...OBJ10	Object Close
OBJ1...OBJ10	Object Bad
OBJ1...OBJ10	WD Intermediate
OBJ1...OBJ10	WD Out
OBJ1...OBJ10	WD in
OBJ1...OBJ10	WD Bad
OBJ1...OBJ10	Open Request On
OBJ1...OBJ10	Open Request Off
OBJ1...OBJ10	Open Command On
OBJ1...OBJ10	Open Command Off
OBJ1...OBJ10	Close Request On
OBJ1...OBJ10	Close Request Off
OBJ1...OBJ10	Close Command On
OBJ1...OBJ10	Close Command Off
OBJ1...OBJ10	Open Blocked On
OBJ1...OBJ10	Open Blocked Off
OBJ1...OBJ10	Close Blocked On
OBJ1...OBJ10	Close Blocked Off
OBJ1...OBJ10	Object Ready
OBJ1...OBJ10	Object Not Ready
OBJ1...OBJ10	Sync Ok
OBJ1...OBJ10	Sync Not Ok

Event block name	Description
OBJ1...OBJ10	Open Command Fail
OBJ1...OBJ10	Close Command Fail
OBJ1...OBJ10	Final trip On
OBJ1...OBJ10	Final trip Off
OBJ1...OBJ10	Contact Abrasion Alarm On
OBJ1...OBJ10	Contact Abrasion Alarm Off
OBJ1...OBJ10	Switch Operating Time Exceeded On
OBJ1...OBJ10	Switch Operating Time Exceeded Off
OBJ1...OBJ10	XCBR Loc On
OBJ1...OBJ10	XCBR Loc Off
OBJ1...OBJ10	XSWI Loc On
OBJ1...OBJ10	XSWI LOC Off

Table. 4.5.3 - 244. Register content.

Name	Description
Date and time	dd.mm.yyyy hh:mm:ss.mss
Event	Event name
Recorded Object opening time	Time difference between the object receiving an "Open" command and the object receiving the "Open" status.
Recorded Object closing time	Time difference between the object receiving a "Close" command and object receiving the "Closed" status.
Object status	The status of the object.
WD status	The status of the withdrawable circuit breaker.
Open fail	The cause of an "Open" command's failure.
Close fail	The cause of a "Close" command's failure.
Open command	The source of an "Open" command.
Close command	The source of an "Open" command.
General status	The general status of the function.

4.5.4 Indicator object monitoring

The indicator object monitoring function takes care of the status monitoring of disconnectors. The function's sole purpose is indication and does not therefore have any control functionality. To control circuit breakers and/or disconnectors, please use the Object control and monitoring function. The monitoring is based on the statuses of the configured relay's digital inputs. The number of monitored indicators in a relay depends on the device type and available inputs. The status monitoring of one monitored object usually requires two (2) digital inputs. Alternatively, object status monitoring can be performed with a single digital input: the input's active state and its zero state (switched to 1 with a NOT gate in the Logic editor).

The outputs of the function are the monitored indicator statuses (Open, Close, Intermediate and Bad). The setting parameters are static inputs for the function, which can only be changed by the use in the function's setup phase.

The inputs of the function are the binary status indications. The function generates general time stamped ON/OFF events to the common event buffer from each of the following signals: OPEN, CLOSE, BAD and INTERMEDIATE event signals. The time stamp resolution is 1 ms.

Settings

Function uses available hardware and software digital signal statuses. These input signals are also setting parameters for the function.

Table. 4.5.4 - 245. Indicator status.

Name	Range	Default	Description
Indicator name ("Ind. Name")	-	IndX	The user-set name of the object, at maximum 32 characters long.
IndicatorX Object status ("Ind.X Object Status")	0: Intermediate 1: Open 2: Closed 3: Bad	-	Displays the status of the indicator object. Intermediate status is displayed when neither of the status conditions (open or close) are active. Bad status is displayed when both of the status conditions (open and close) are active.

Table. 4.5.4 - 246. Indicator I/O.

Signal	Range	Description
IndicatorX Open input ("Ind.X Open Status In")	Digital input or other logical signal selected by the user (SWx)	A link to a physical digital input. The monitored indicator's OPEN status. "1" refers to the active "Open" state of the monitored indicator.
IndicatorX Close input ("Ind.X Close Status In")	Digital input or other logical signal selected by the user (SWx)	A link to a physical digital input. The monitored indicator's CLOSE status. "1" refers to the active "Close" state of the monitored indicator.

Events

The indicator object monitoring function (abbreviated "CIN" in event block names) generates events from the status changes in the monitored signals, including the continuous status indications. The user can select which event messages are stored in the main event buffer: ON, OFF, or both.

Table. 4.5.4 - 247. Event messages (instances 1-10).

Event block name	Event names
CIN1...10	Intermediate
CIN1...10	Open
CIN1...10	Close
CIN1...10	Bad

4.5.5 Milliampere output control

The milliamp current loop is the prevailing process control signal in many industries. It is an ideal method of transferring process information because a current does not change as it travels from a transmitter to a receiver. It is also much more simple and cost-effective.

The benefits of 4...20 mA loops:

- the dominant standard in many industries
- the simplest option to connect and configure
- uses less wiring and connections than other signals, thus greatly reducing initial setup costs
- good for travelling long distances, as current does not degrade over long connections like voltage does
- less sensitive to background electrical noise
- detects a fault in the system incredibly easily since 4 mA is equal to 0 % output.

Milliampere (mA) outputs

AQ-200 series supports up to two (2) independent mA option cards. Each card has four (4) mA output channels and one (1) mA input channel. If the device has an mA option card, enable mA outputs at *Control* → *Device IO* → *mA outputs*. The outputs are activated in groups of two: channels 1 and 2 are activated together, as are channels 3 and 4.

Table. 4.5.5 - 248. Main settings (output channels).

Name		Range	Default	Description
mA option card 1	Enable mA output channels 1 and 2	0: Disabled 1: Enabled	0: Disabled	Enables and disables the outputs of the mA output card 1.
	Enable mA output channels 3 and 4			
mA option card 2	Enable mA output channels 5 and 6	0: Disabled 1: Enabled	0: Disabled	Enables and disables the outputs of the mA output card 2.
	Enable mA output channels 7 and 8			

Table. 4.5.5 - 249. Settings for mA output channels.

Name	Range	Step	Default	Description
Enable mA output channel	0: Disabled 1: Enabled	-	0: Disabled	Enables and disables the selected mA output channel. If the channel is disabled, the channel settings are hidden.
Magnitude selection for mA output channel	0: Currents 1: Voltages 2: Powers 3: Impedance and admittance 4: Other	-	0: Currents	Defines the measurement category that is used for mA output control.
Magnitude of mA output channel	(dependent on the measurement category selection)	-	(dependent on the measurement category selection)	Defines the measurement magnitude used for mA output control. The available measurements depend on the selection of the "Magnitude selection for mA output channel" parameter.
Input value 1	$-10^7 \dots 10^7$	0.001	0	The first input point in the mA output control curve.
Scaled mA output value 1	0.0000...24.0000mA	0.0001mA	0mA	The mA output value when the measured value is equal to or less than Input value 1.
Input value 2	$-10^7 \dots 10^7$	0.001	1	The second input point in the mA output control curve.
Scaled mA output value 2	0.0000...24.0000mA	0.0001mA	0mA	The mA output value when the measured value is equal to or greater than Input value 2.

Figure. 4.5.5 - 156. Example of the effects of mA output channel settings.

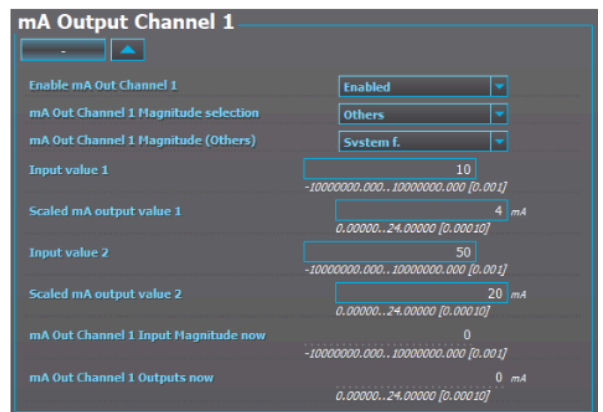
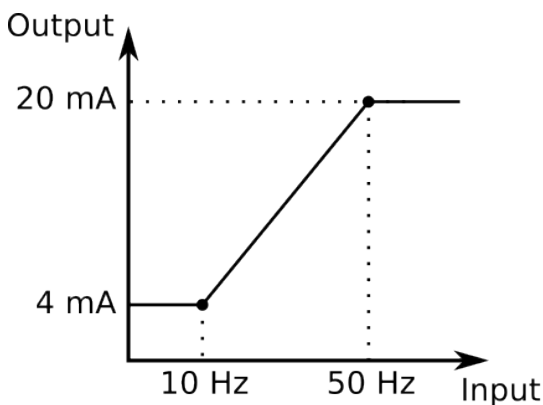


Table. 4.5.5 - 250. Hardware indications.

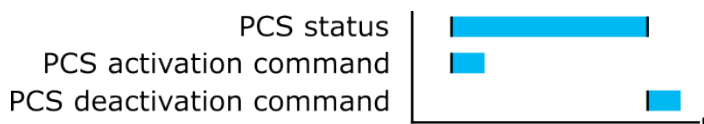
Name	Range	Step	Description
Hardware in mA output channels 1...4	0: None 1: Slot A 2: Slot B 3: Slot C 4: Slot D 5: Slot E 6: Slot F 7: Slot G 8: Slot H 9: Slot I 10: Slot J 11: Slot K 12: Slot L 13: Slot M 14: Slot N 15: Too many cards installed	-	Indicates the option card slot where the mA output card is located.
Hardware in mA output channels 5...8			

Table. 4.5.5 - 251. Measurement values reported by mA output cards.

Name	Range	Step	Description
mA in Channel 1	0.0000...24.0000mA	0.0001mA	Displays the measured mA value of the selected input channel.
mA in Channel 2			
mA Out Channel Input Magnitude now	$-10^7 \dots 10^7$	0.001	Displays the input value of the selected mA output channel at that moment.
mA Out Channel Outputs now	0.0000...24.0000mA	0.0001mA	Displays the output value of the selected mA output channel at that moment.

4.5.6 Programmable control switch

The programmable control switch is a control function that controls its binary output signal. This output signal can be controlled locally from the relay's mimic (displayed as a box in the mimic) or remotely from the RTU. The main purpose of programmable control switches is to block or enable function and to change function properties by changing the setting group. However, this binary signal can also be used for any number of other purposes, just like all other binary signals. Once a programmable control switch has been activated or disabled, it remains in that state until given a new command to switch to the opposite state (see the image below). The switch cannot be controlled by an auxiliary input, such as digital inputs or logic signals; it can only be controlled locally (mimic) or remotely (RTU).



Settings.

These settings can be accessed at *Control* → *Device I/O* → *Programmable control switch*.

Table. 4.5.6 - 252. Settings.

Name	Range	Default	Description
Switch name	-	Switchx	The user-settable name of the selected switch. The name can be up to 32 characters long.
Access level for Mimic control	0: User 1: Operator 2: Configurator 3: Super user	2: Configurator	Determines which access level is required to be able to control the programmable control switch via the Mimic.

Events

The programmable control switch function (abbreviated "PCS" in event block names) generates events from status changes. The user can select which event messages are stored in the main event buffer: ON, OFF, or both. The function offers five (5) independent switches.

Table. 4.5.6 - 253. Event messages.

Event block name	Event names
PCS	Switch 1 ON
PCS	Switch 1 OFF
PCS	Switch 2 ON
PCS	Switch 2 OFF
PCS	Switch 3 ON
PCS	Switch 3 OFF
PCS	Switch 4 ON
PCS	Switch 4 OFF
PCS	Switch 5 ON
PCS	Switch 5 OFF

4.5.7 User buttons

AQ-250 devices have twelve (12) physical user buttons in the front panel of the device. The main purpose of user buttons is to block or enable functions and to change function properties by changing the setting group. However, this binary signal can also be used for any number of other purposes, just like all other binary signals. Push buttons have two operation modes: "Press release" and "Toggle On/Off". In "Press release" mode the push button status is active while the button is pressed down. In "Toggle On/Off" mode push button status toggles between "On" and "Off". Each button has a user configurable LED at the top left corner of the button. The LED can be configured to activate red, orange or green color from button status or any other logical binary signal.

General user button settings can be set at *Control* → *Device IO* → *User-button Settings*.



NOTICE!

Status of push button output can only be controlled from the AQ-200 device front panel i.e. can't be controlled remotely. Therefore it is recommended to use "a virtual button" (programmable control switches or logical inputs) if a toggleable signal must be controlled both locally and remotely.

4.5.8 Analog input scaling curves

Sometimes when measuring with RTD inputs, milliampere inputs and digital inputs the measurement might be inaccurate because the signal coming from the source is inaccurate. One common example of this is tap changer location indication signal not changing linearly from step to step. If the output difference between the steps are not equal to each other, measuring the incoming signal accurately is not enough. "Analog input scaling curves" menu can be used to take these inaccuracies into account.

Analog input scaling curve settings can be found at *Measurement* → *AI(mA, DI volt) scaling* menu.

Currently following measurements can be scaled with analog input scaling curves:

- RTD inputs and mA inputs in "RTD & mA input" option cards
- mA inputs in "mA output & mA input" option cards
- Digital input voltages

Table. 4.5.8 - 254. Main settings (input channel).

Name	Range	Step	Default	Description
Analog input scaling	0: Disabled 1: Activated	-	0: Disabled	Enables and disables the input.
Scaling curve 1...4	0: Disabled 1: Activated	-	0: Disabled	Enables and disables the scaling curve and the input measurement.
Curve 1...4 input signal select	0: S7 mA Input 1: S8 mA Input 2: S15 mA Input 3: S16 mA Input 4: DI1 Voltage ... 23: DI20 Voltage 24: RTD S1 Resistance ... 39: RTD S16 Resistance 40: mA In 1 (I card 1) 41: mA In 2 (I card 2)	-	0: S7 mA Input	Defines the measurement used by scaling curve.
Curve 1...4 input signal filtering	0: No 1: Yes	-	0: No	Enables calculation of the average of received signal.
Curve 1...4 input signal filter time constant	0.005...3800.000 s	0.005 s	1 s	Time constant for input signal filtering. This parameter is visible when "Curve 1...4 input signal filtering" has been set to "Yes".

Name	Range	Step	Default	Description
Curve 1...4 input signal out of range set	0: No 1: Yes	-	0: No	Enables out of range signals. If input signal is out of minimum and maximum limits, "ASC1...4 input out of range" signal is activated.
Curve1...4 input minimum	-1 000 000.00...1 000 000.00	0.00001	0	Defines the minimum input of the curve. If input is below the set limit, "ASC1...4 input out of range" is activated.
Curve 1...4 input	-1 000 000.00...1 000 000.00	0.00001	-	Displays the input measurement received by the curve.
Curve1...4 input maximum	-1 000 000.00...1 000 000.00	0.00001	0	Defines the maximum input of the curve. If input is above the set limit, "ASC1...4 input out of range" is activated.
Curve1...4 output	-1 000 000.00...1 000 000.00	0.00001	-	Displays the output of the curve.

The input signal filtering parameter calculates the average of received signals according to the set time constant. This is why rapid changes and disturbances (such as fast spikes) are smothered. The Nyquist rate states that the filter time constant must be at least double the period time of the disturbance process signal. For example, the value for the filter time constant is 2 seconds for a 1 second period time of a disturbance oscillation.

$$H(s) = \frac{Wc}{s+Wc} = \frac{1}{1+s/Wc}$$

When the curve signal is out of range, it activates the "ASC1...4 input out of range" signal, which can be used inside logic or with other relay functions. The signal can be assigned directly to an output relay or to an LED in the I/O matrix. The "Out of range" signal is activated, when the measured signal falls below the set input minimum limit, or when it exceeds the input maximum limit.

If for some reason the input signal is lost, the value is fixed to the last actual measured cycle value. The value does not go down to the minimum if it has been something else at the time of the signal breaking.

Table. 4.5.8 - 255. Output settings and indications.

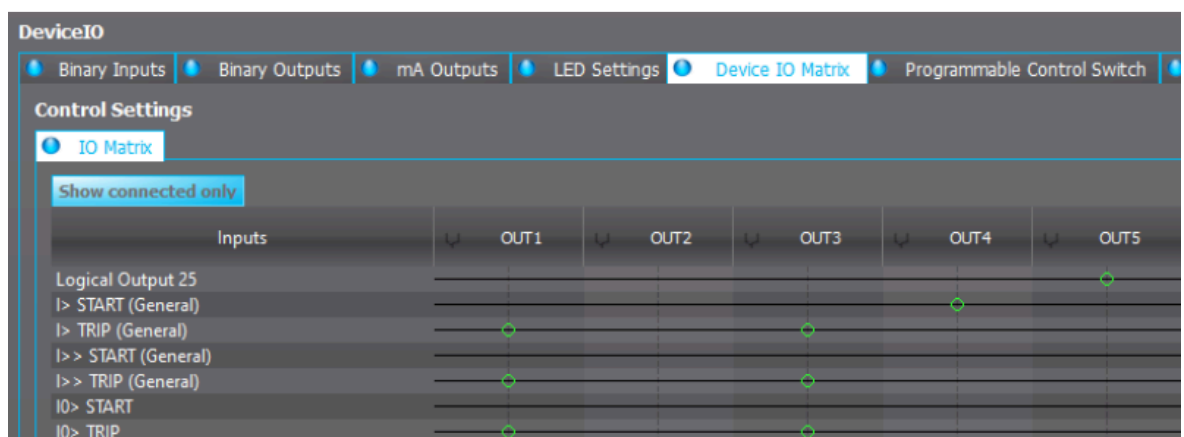
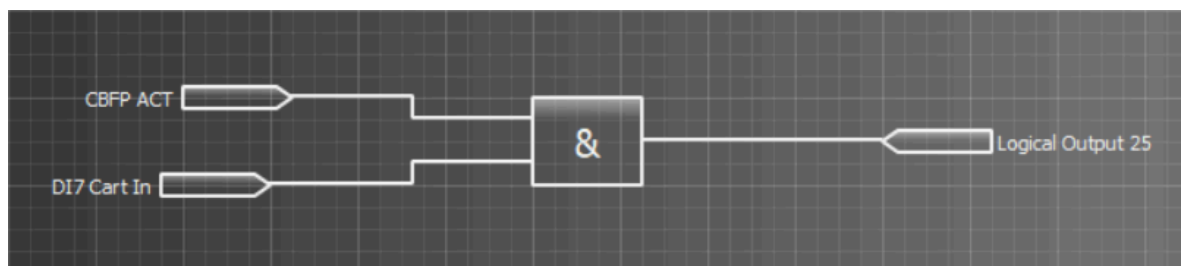
Name	Range	Step	Default	Description
Curve 1...4 update cycle	5...10 000ms	5ms	150ms	Defines the length of the input measurement update cycle. If the user wants a fast operation, this setting should be fairly low.
Scaled value handling	0: Floating point 1: Integer out (Floor) 2: Integer (Ceiling) 3: Integer (Nearest)	-	0: Floating point	Rounds the milliampere signal output as selected.

Name	Range	Step	Default	Description
Input value 1	0...4000	0.000 01	0	The measured input value at Curve Point 1.
Scaled output value 1	$-10^7 \dots 10^7$	0.000 01	0	Scales the measured milliampere signal at Point 1.
Input value 2	0...4000	0.000 01	1	The measured input value at Curve Point 2.
Scaled output value 1	$-10^7 \dots 10^7$	0.000 01	0	Scales the measured milliampere signal at Point 2.
Add curvepoint 3...20	0: Not used 1: Used	-	0: Not used	Allows the user to create their own curve with up to twenty (20) curve points, instead of using a linear curve between two points.

4.5.9 Logical outputs

Logical outputs are used for sending binary signals out from a logic that has been built in the logic editor. Logical signals can be used for blocking functions, changing setting groups, controlling digital outputs, activating LEDs, etc. The status of logical outputs can also be reported to a SCADA system. 64 logical outputs are available. The figure below presents a logic output example where a signal from the circuit breaker failure protection function controls the digital output relay number 5 ("OUT5") when the circuit breaker's cart status is "In".

Figure. 4.5.9 - 157. Logic output example. Logical output is connected to an output relay in matrix.



Logical output descriptions

Logical outputs can be given a description. The user defined description are displayed in most of the menus:

- logic editor
- matrix
- block settings
- event history
- disturbance recordings
- etc.

Table. 4.5.9 - 256. Logical output user description.

Name	Range	Default	Description
User editable description LOx	1...31 characters	Logical output x	Description of the logical output. This description is used in several menu types for easier identification.



NOTICE!

After editing user descriptions the event history will start to use the new description only after resetting the HMI. HMI can be reset from *General* → *Device info* → *LCD restart*.

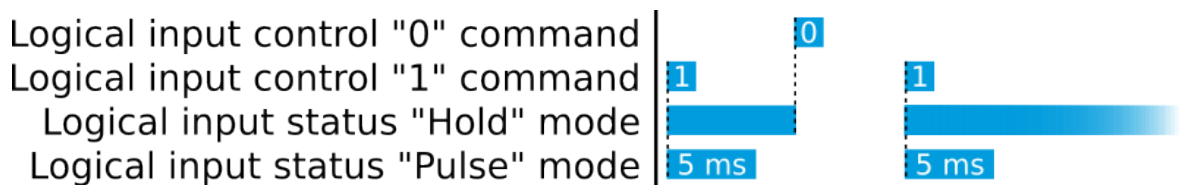
4.5.10 Logical inputs

Logical inputs are binary signals that a user can control manually to change the behavior of the AQ-200 unit or to give direct control commands. Logical inputs can be controlled with a virtual switch built in the mimic and from a SCADA system. Logical inputs are volatile signals: their status will always return to "0" when the AQ-200 device is rebooted. 32 logical inputs are available.

Logical inputs have two modes available: Hold and Pulse. When a logical input which has been set to "Hold" mode is controlled to "1", the input will switch to status "1" and it stays in that status until it is given a control command to go to status "0" or until the device is rebooted. When a logical input which has been set to "Pulse" mode is controlled to "1", the input will switch to status "1" and return back to "0" after 5 ms.

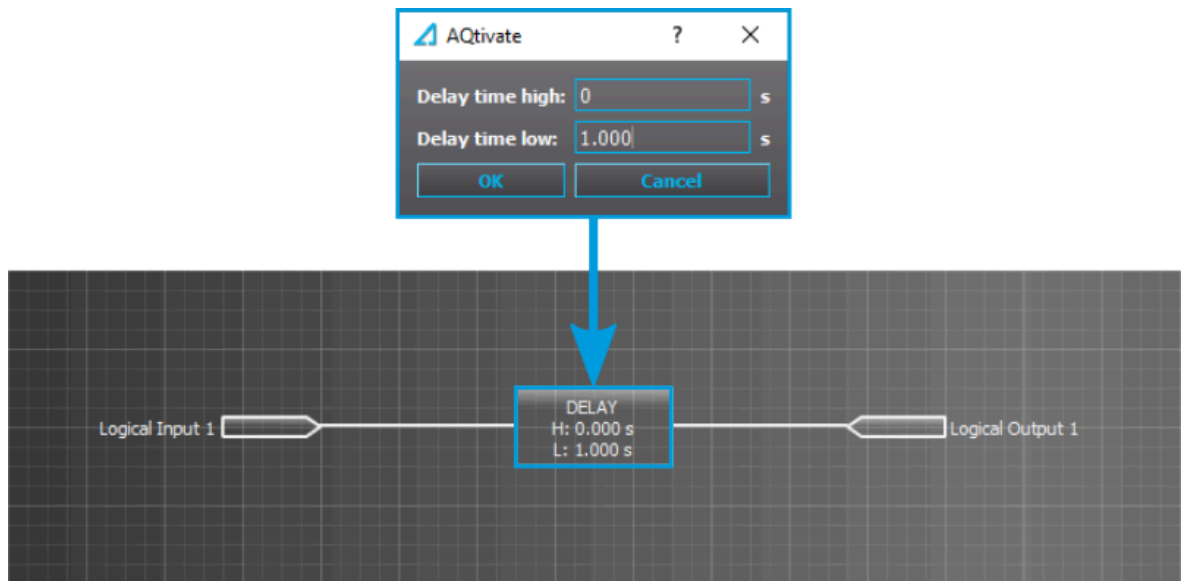
The figure below presents the operation of a logical input in Hold mode and in Pulse mode.

Figure. 4.5.10 - 158. Operation of logical input in "Hold" and "Pulse" modes.



A logical input pulse can also be extended by connecting a DELAY-low gate to a logical output, as has been done in the example figure below.

Figure. 4.5.10 - 159. Extending a logical input pulse.



Logical input control "1" command
Logical input status "Pulse" mode
Logical output status

1
5 ms
Delay low setting

Logical input descriptions

Logical inputs can be given a description. The user defined description are displayed in most of the menus:

- logic editor
- matrix
- block settings
- event history
- disturbance recordings
- etc.

Table. 4.5.10 - 257. Logical input user description.

Name	Range	Default	Description
User editable description Llx	1...31 characters	Logical input x	Description of the logical input. This description is used in several menu types for easier identification.



NOTICE!

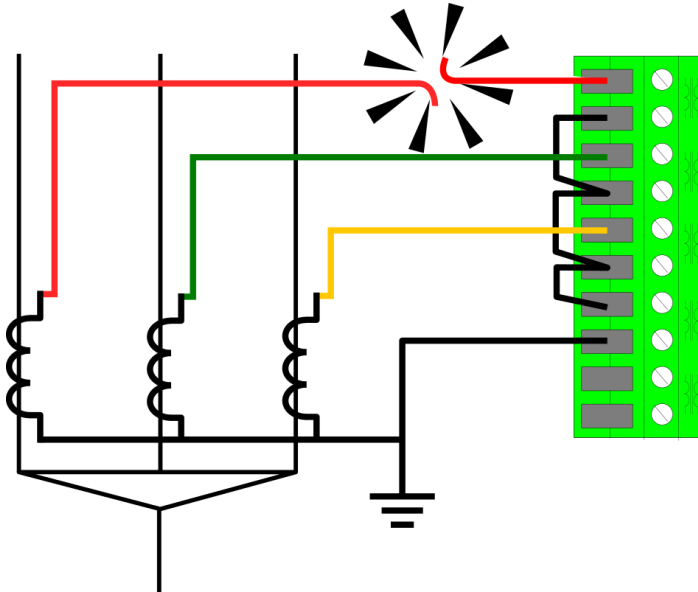
After editing user descriptions the event history will start to use the new description only after resetting the HMI. HMI can be reset from *General* → *Device info* → *LCD restart*.

4.6 Monitoring functions

4.6.1 Current transformer supervision

The current transformer supervision function (abbreviated CTS in this document) is used for monitoring the CTs as well as the wirings between the device and the CT inputs for malfunctions and wire breaks. An open CT circuit can generate dangerously high voltages into the CT secondary side, and cause unintended activations of current balance monitoring functions.

Figure. 4.6.1 - 160. Secondary circuit fault in phase L1 wiring.



The function constantly monitors the instant values and the key calculated magnitudes of the phase currents. Additionally, the residual current circuit can be monitored if the residual current is measured from a dedicated residual current CT. The user can enable and disable the residual circuit monitoring at will.

The blocking signal and the setting group selection control the operating characteristics of the function during normal operation, i.e. the user or user-defined logic can change function parameters while the function is running.

The function uses a total of eight (8) separate setting groups which can be selected from one common source.

The operational logic consists of the following:

- input magnitude processing
- threshold comparator
- block signal check
- time delay characteristics
- output processing.

The following conditions have to met simultaneously for the function alarm to activate:

- None of the three-phase currents exceeds the $I_{set\ high\ limit}$ setting.
- At least one of the three-phase currents exceeds the $I_{set\ low\ limit}$ setting.
- At least one of the three-phase currents are below the $I_{set\ low\ limit}$ setting.
- The ratio between the calculated minum and maximum of the three-phase currents is below the $I_{set\ ratio}$ setting.

- The ratio between the negative sequence and the positive sequence exceeds the $I2/I1$ *ratio* setting.
- The calculated difference ($I_{L1}+I_{L2}+I_{L3}+I_0$) exceeds the I_{sum} *difference* setting (optional).
- The above-mentioned condition is met until the set time delay for alarm.

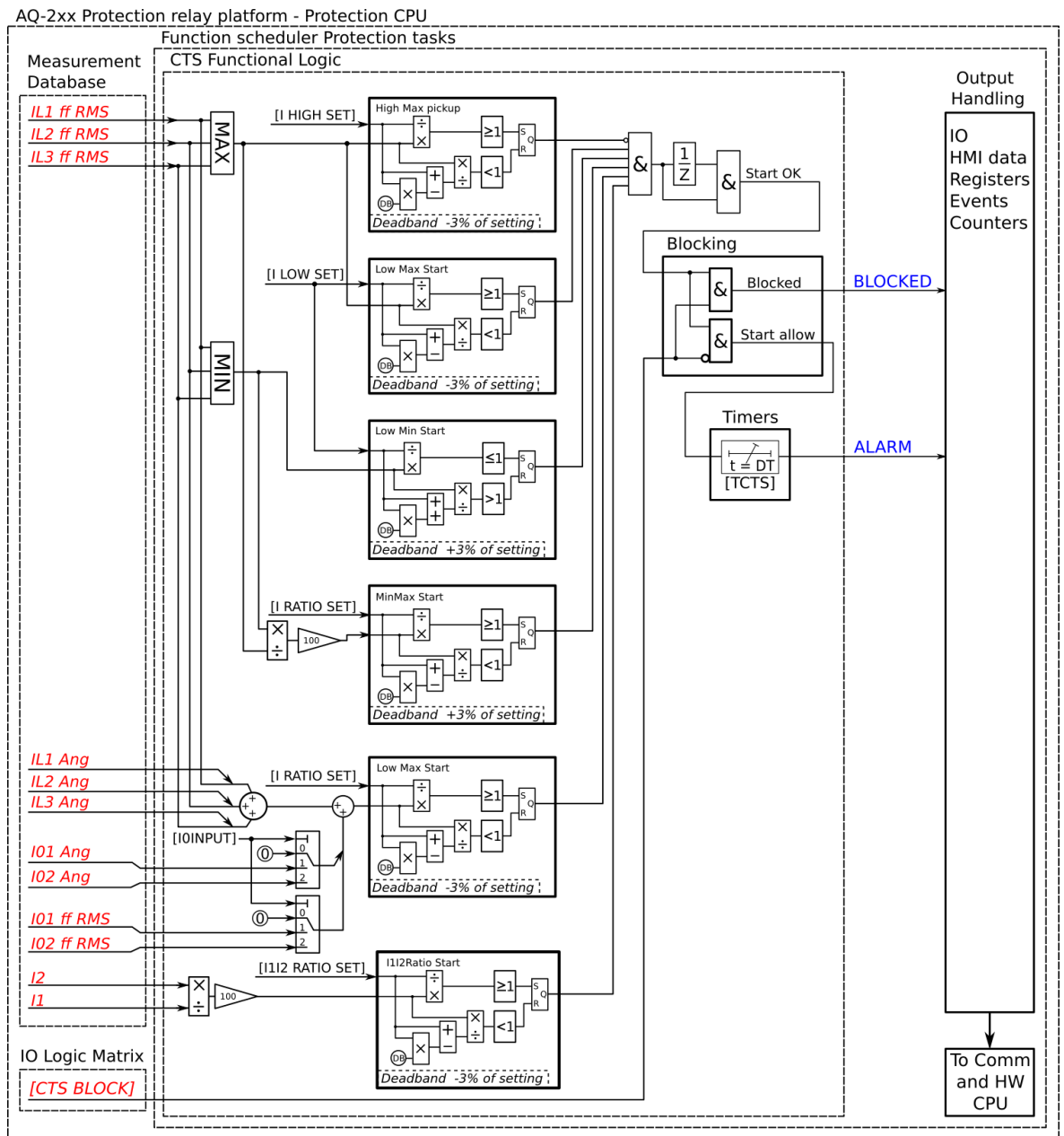
The inputs of the function are the following:

- setting parameters
- measured and pre-processed current magnitudes.

The function's outputs are CTS ALARM and BLOCKED signals which can be used for direct I/O controlling and user logic programming. The function generates general time-stamped ON/OFF events to the common event buffer from each of the output signals. The time stamp resolution is 1 ms. The function also provides a resettable cumulative counter for the CTS ALARM and BLOCKED events.

The following figure presents a simplified function block diagram of the current transformer supervision function.

Figure. 4.6.1 - 161. Simplified function block diagram of the CTS function.



Measured input

The function block uses analog current measurement values, the RMS magnitude of the current measurement inputs, and the calculated positive and negative sequence currents. The user can select what is used for the residual current measurement: nothing, the I01 RMS measurement, or the I02 RMS measurement.

Table. 4.6.1 - 258. Measured inputs of the CTS function.

Signal	Description	Time base
IL1RMS	RMS measurement of phase L1 (A) current	5ms
IL2RMS	RMS measurement of phase L2 (B) current	5ms
IL3RMS	RMS measurement of phase L3 (C) current	5ms

Signal	Description	Time base
I01RMS	RMS measurement of residual input I01	5ms
I02RMS	RMS measurement of residual input I02	5ms
I1	Phase current's positive sequence component	5ms
I2	Phase current's negative sequence component	5ms
IL1Ang	Angle of phase L1 (A) current	5ms
IL2 Ang	Angle of phase L2 (B) current	5ms
IL3 Ang	Angle of phase L3 (C) current	5ms
I01 Ang	Angle of residual input I01	5ms
I02 Ang	Angle of residual input I02	5ms

The selection of the AI channel in use is made with a setting parameter. In all possible input channel variations the pre-fault condition is presented with a 20 ms averaged history value from -20 ms from START or TRIP event.

General settings

The following general settings define the general behavior of the function. These settings are static i.e. it is not possible to change them by editing the setting group.

Table. 4.6.1 - 259. General settings of the function.

Name	Range	Default	Description
CTS LN mode	1: On 2: Blocked 3: Test 4: Test/ Blocked 5: Off	0: On	Set mode of CTS block. This parameter is visible only when <i>Allow setting of individual LN mode</i> is enabled in <i>General</i> menu.
CTS force status to	0: Normal 1: Alarm 2: Blocked	0: Normal	Force the status of the function. Visible only when <i>Enable stage forcing</i> parameter is enabled in <i>General</i> menu.
I0 input selection	0: Not in use 1: I01 2: I02	0: Not in use	Selects the measurement input for the residual current. If the residual current is measured with a separate CT, the residual current circuit can be monitored with the CTS function as well. However, this does not apply to summing connections (Holmgren, etc.). If the phase current CT is summed with I01 or I02, this selection should be set to "Not in use".
I0 direction	0: Add 1: Subtract	0: Add	Defines the polarity of residual current channel connection.
Compensate natural unbalance	0: - 1: Comp	0: -	When activated while the line is energized, the currently present calculated residual current is compensated to 0.

Pick-up

The I_{set} and I_{0set} setting parameters control the current-dependent pick-up and activation of the current transformer supervision function. They define the minimum and maximum allowed measured current before action from the function. The function constantly calculates the ratio between the setting values and the measured magnitude (I_m) for each of the three phases and for the selected residual current input. The reset ratio of 97 % and 103% are built into the function and is always relative to the I_{set} value. The setting value is common for all measured amplitudes, and when the I_m exceeds the I_{set} value (in single, dual or all currents) it triggers the pick-up operation of the function.

Table. 4.6.1 - 260. Pick-up settings.

Name	Range	Step	Default	Description
I_{set} high limit	0.01...40.00× I_n	0.01× I_n	1.20× I_n	Determines the pick-up threshold for phase current measurement. This setting limit defines the upper limit for the phase current's pick-up element. If this condition is met, it is considered as fault and the function is not activated.
I_{set} low limit	0.01...40.00× I_n	0.01× I_n	0.10× I_n	Determines the pick-up threshold for phase current measurement. This setting limit defines the lower limit for the phase current's pick-up element. This condition has to be met for the function to activate.
I_{set} ratio	0.01...100.00%	0.01%	10.00%	Determines the pick-up ratio threshold between the minimum and maximum values of the phase current. This condition has to be met for the function to activate.
I2/I1 ratio	0.01...100.00%	0.01%	49.00%	Determines the pick-up ratio threshold for the negative and positive sequence currents calculated from the phase currents. This condition has to be met for the function to activate. The ratio is 50 % for a full single-phasing fault (i.e. when one of the phases is lost entirely). Setting this at 49 % allows a current of $0.01 \times I_n$ to flow in one phase, while the other two are at nominal current.
I_{sum} difference	0.01...40.00× I_n	0.01× I_n	0.10× I_n	Determines the pick-up ratio threshold for the calculated residual phase current and the measured residual current. If the measurement circuit is healthy, the sum of these two currents should be 0.
Time delay for alarm	0.000...1800.000s	0.005s	0.5s	Determines the delay between the activation of the function and the alarm.

The pick-up activation of the function is not directly equal to the START signal generation of the function. The START signal is allowed if the blocking condition is not active. When the activation of the pick-up is based on binary signals, the activation happens immediately after the monitored signal is activated.

Read-only parameters

The relay's *Info* page displays useful, real-time information on the state of the protection function. It is accessed either through the relay's HMI display, or through the setting tool software when it is connected to the relay and its Live Edit mode is active.

Table. 4.6.1 - 261. Information displayed by the function.

Name	Range	Step	Description
CTS LN behaviour	1: On 2: Blocked 3: Test 4: Test/Blocked 5: Off	-	Displays the mode of CTS block. This parameter is visible only when <i>Allow setting of individual LN mode</i> is enabled in <i>General</i> menu.
Uncompensated residual unbalance Pri	0: Normal 1: Start 2: Trip 3: Blocked	-	Displays the natural unbalance of current after compensating it with <i>Compensate natural unbalance</i> parameter.
Natural unbalance ang	-360.00...360.00 deg	0.01 deg	Displays the natural unbalance of angle after compensating it with <i>Compensate natural unbalance</i> parameter.
Measured current difference Isum, I0	0.00...50.00 xIn	0.01 xIn	Current difference between summed phases and residual current.
Measured angle difference Isum, I0	-360...360 deg	0.01 deg	Angle difference between summed phases and residual current.

Function blocking

The block signal is checked in the beginning of each program cycle. The blocking signal is received from the blocking matrix in the function's dedicated input. If the blocking signal is not activated when the pick-up element activates, a START signal is generated and the function proceeds to the time characteristics calculation.

If the blocking signal is active when the pick-up element activates, a BLOCKED signal is generated and the function does not process the situation further. If the START function has been activated before the blocking signal, it resets and the release time characteristics are processed similarly to when the pick-up signal is reset.

The blocking of the function causes an HMI display event and a time-stamped blocking event with information of the startup current values and its fault type to be issued.

The variables the user can set are binary signals from the system. The blocking signal needs to reach the device minimum of 5 ms before the set operating delay has passed in order for the blocking to activate in time.

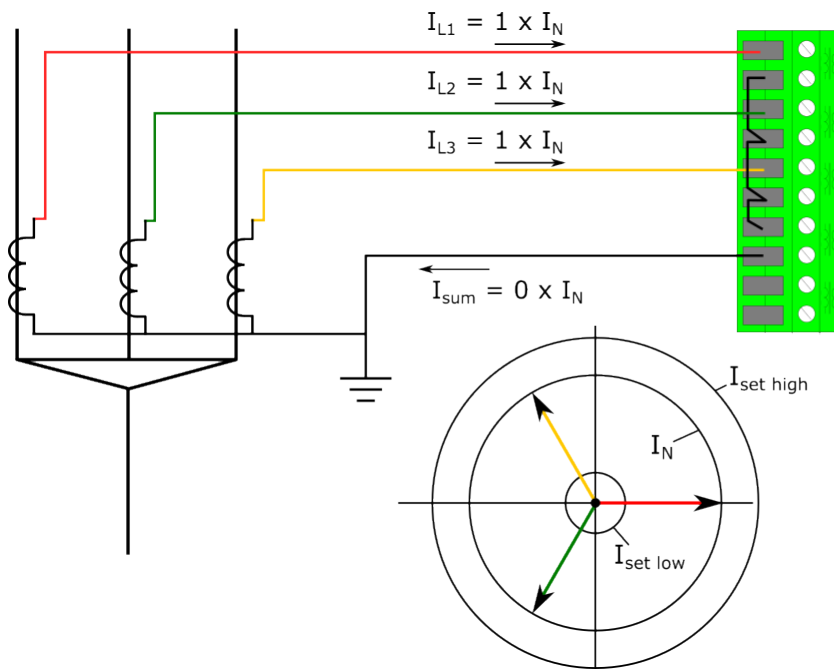
Operating time characteristics

This function supports definite time delay (DT). For detailed information on this delay type please refer to the chapter "[General properties of a protection function](#)" and its section "Operating time characteristics for trip and reset".

Typical cases of current transformer supervision

The following nine examples present some typical cases of the current transformer supervision and their setting effects.

Figure. 4.6.1 - 162. All works properly, no faults.



Settings:

I_{set} High limit = $1.20 \times I_N$
 I_{set} Low limit = $0.10 \times I_N$
 I_{set} ratio = 10.00 %
 $I1/I2$ ratio = 49.00 %
 I_0 input = Not in use

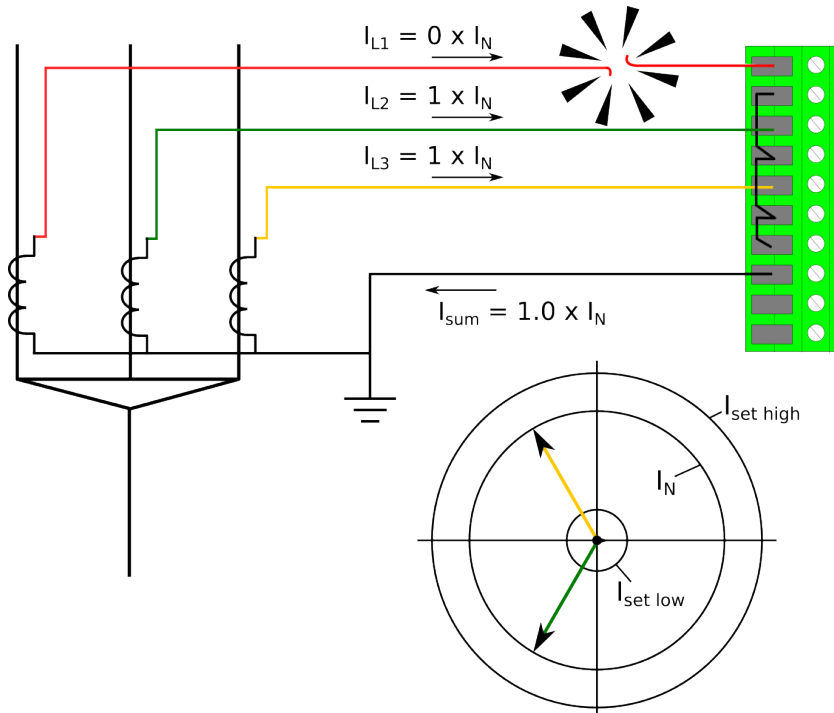
Measurements:

I_{min} = $1 \times I_N$
 I_{max} = $1 \times I_N$
 $I1$ = $1 \times I_N$
 $I2$ = $0 \times I_N$
 I_{min}/I_{max} = 1
 $I2/I1$ = 0%

CTS conditions:

I_{set} High limit ≤ 1
 I_{set} Low limit low ≤ 0
 I_{set} Low limit high > 1
 I ratio ≤ 0
 $I_{unbalance}$ ratio > 0

Figure. 4.6.1 - 163. Secondary circuit fault in phase L1 wiring.



Settings:

I_{set} High limit = $1.20 \times I_N$
 I_{set} Low limit = $0.10 \times I_N$
 I_{set} ratio = 10.00 %
 $I1/I2$ ratio = 49.00 %
 I_0 input = Not in use

Measurements:

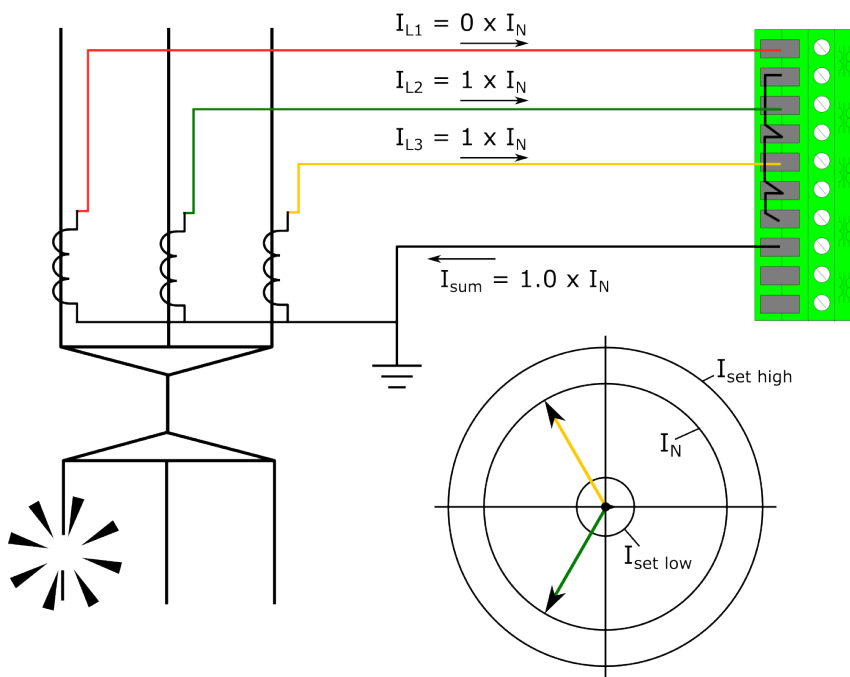
I_{min} = $0 \times I_N$
 I_{max} = $1 \times I_N$
 $I1$ = $0.67 \times I_N$
 $I2$ = $0.33 \times I_N$
 I_{min}/I_{max} = 0
 $I2/I1$ = 50%

CTS conditions:

I_{set} High limit ≤ 1
 I_{set} Low limit low ≤ 1
 I_{set} Low limit high > 1
 I ratio ≤ 1
 $I_{unbalance}$ ratio > 1

When a fault is detected and all conditions are met, the CTS timer starts counting. If the situation continues until the set time has passed, the function issues an alarm.

Figure. 4.6.1 - 164. Primary circuit fault in phase L1 wiring.



Settings:

I_{set} High limit = $1.20 \times I_N$
 I_{set} Low limit = $0.10 \times I_N$
 I_{set} ratio = 10.00 %
 I1/I2 ratio = 49.00 %
 I_0 input = Not in use

Measurements:

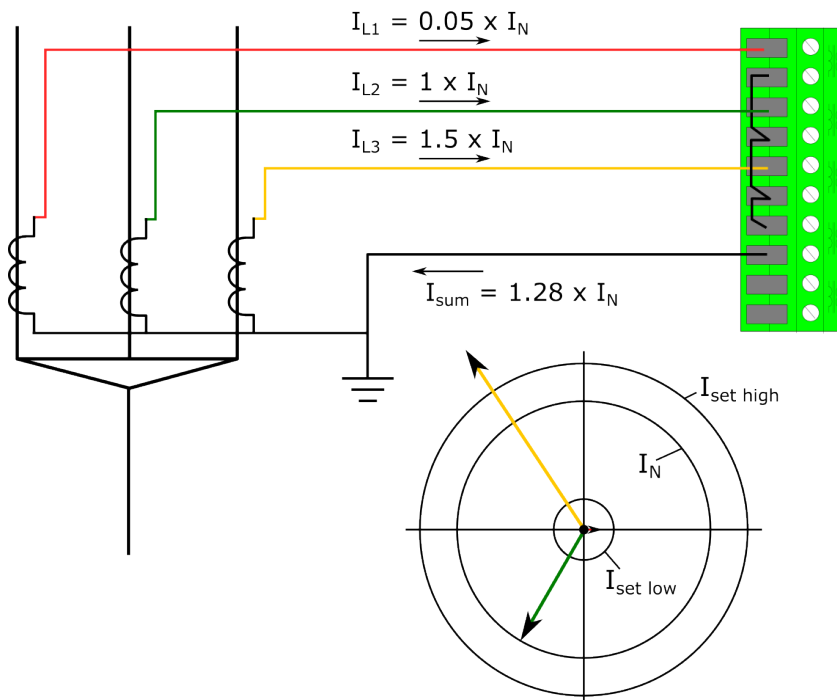
I_{min} = $0 \times I_N$
 I_{max} = $1 \times I_N$
 $I1$ = $0.67 \times I_N$
 $I2$ = $0.33 \times I_N$
 I_{min}/I_{max} = 0
 $I2/I1$ = 50%

CTS conditions:

I_{set} High limit ≤ 1
 I_{set} Low limit low ≤ 1
 I_{set} Low limit high > 1
 I ratio < 1
 $I_{unbalance}$ ratio > 1

In this example, distinguishing between a primary fault and a secondary fault is impossible. However, the situation meets the function's activation conditions, and if this state (secondary circuit fault) continues until the set time has passed, the function issues an alarm. This means that the function supervises both the primary and the secondary circuit.

Figure. 4.6.1 - 165. No wiring fault but heavy unbalance.



Settings:

I_{set} High limit = $1.20 \times I_N$
 I_{set} Low limit = $0.10 \times I_N$
 I_{set} ratio = 10.00 %
 I1/I2 ratio = 49.00 %
 I_0 input = Not in use

Measurements:

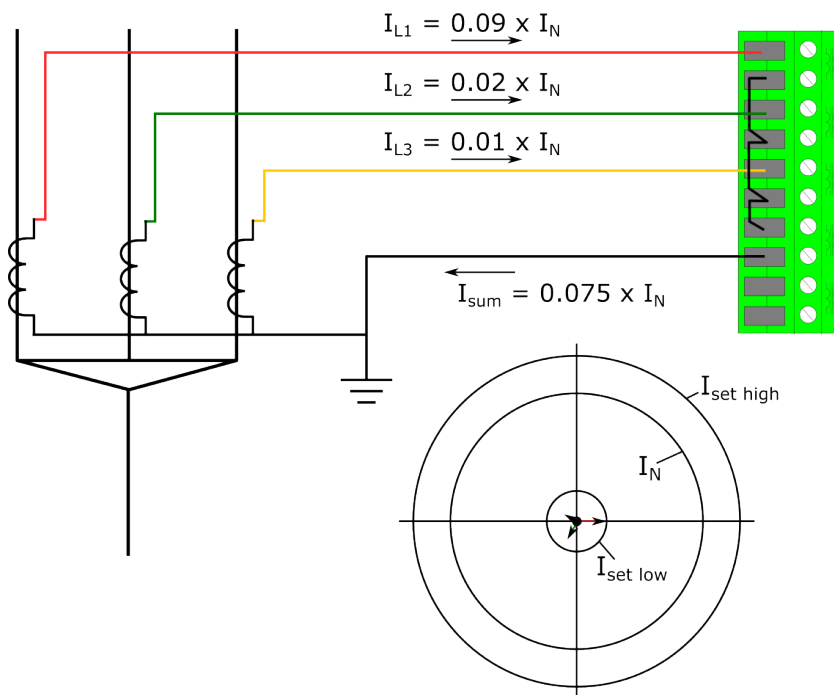
I_{min} = $0.05 \times I_N$
 I_{max} = $1.50 \times I_N$
 $I1$ = $0.85 \times I_N$
 $I2$ = $0.43 \times I_N$
 I_{min}/I_{max} = 0.7 %
 $I2/I1$ = 50.03 %

CTS conditions:

I_{set} High limit ≤ 0
 I_{set} Low limit low ≤ 1
 I_{set} Low limit high > 1
 I ratio ≤ 1
 $I_{unbalance}$ ratio > 1

If any of the phases exceed the I_{set} high limit setting, the operation of the function is not activated. This behavior is applied to short-circuits and earth faults even when the fault current exceeds the I_{set} high limit setting.

Figure. 4.6.1 - 166. Low current and heavy unbalance.



Settings:

I_{set} High limit = $1.20 \times I_N$
 I_{set} Low limit = $0.10 \times I_N$
 I_{set} ratio = 10.00 %
 I1/I2 ratio = 49.00 %
 I_0 input = Not in use

Measurements:

I_{min} = $0.01 \times I_N$
 I_{max} = $0.09 \times I_N$
 I1 = $0.04 \times I_N$
 I2 = $0.03 \times I_N$
 I_{min}/I_{max} = 11.0 %
 I2/I1 = 62.92 %

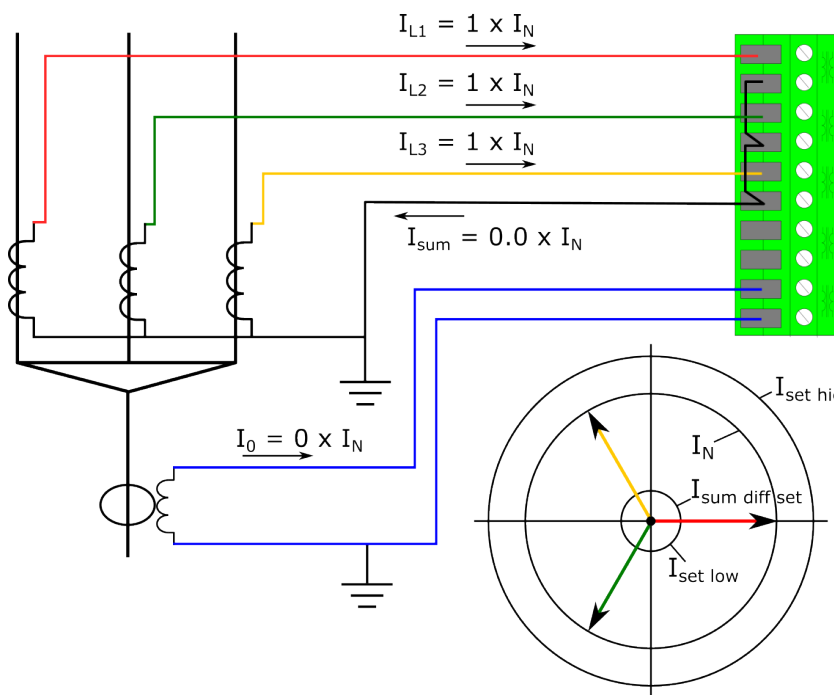
CTS conditions:

I_{set} High limit ≤ 1
 I_{set} Low limit low ≤ 1
 I_{set} Low limit high > 0
 I ratio ≤ 1
 $I_{unbalance}$ ratio $> = 1$

If all of the measured phase magnitudes are below the I_{set} low limit setting, the function is not activated even when the other conditions (inc. the unbalance condition) are met.

If the I_{set} high limit and I_{set} low limit setting parameters are adjusted according to the application's normal behavior, the operation of the function can be set to be very sensitive for broken circuit and conductor faults.

Figure. 4.6.1 - 167. Normal situation, residual current also measured.



Settings:

I_{set} High limit = $1.20 \times I_N$
 I_{set} Low limit = $0.10 \times I_N$
 I_{set} ratio = 10.00 %
 I1/I2 ratio = 49.00 %
 I_0 input = I_{01}
 I_{sum} Difference = $0.10 \times I_N$

Measurements:

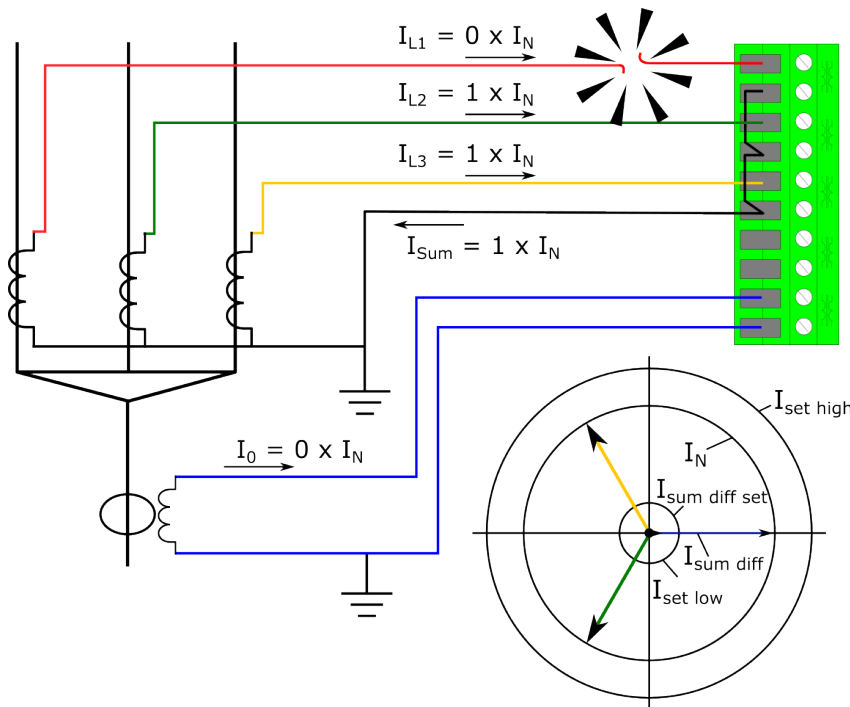
I_{min} = $1 \times I_N$
 I_{max} = $1 \times I_N$
 I1 = $1 \times I_N$
 I2 = $0 \times I_N$
 I_{min}/I_{max} = 1
 I2/I1 = 0
 I_{sum} Difference = $0.0 \times I_N$

CTS conditions:

I_{set} High limit ≤ 1
 I_{set} Low limit low ≤ 0
 I_{set} Low limit high $> = 1$
 I ratio ≤ 0
 $I_{unbalance}$ ratio $> = 0$

When the residual condition is added with the "I0 input selection", the sum of the current and the residual current are compared against each other to verify the wiring condition.

Figure. 4.6.1 - 168. Broken secondary phase current wiring.



Settings:

- I_{set} High limit = $1.20 \times I_N$
- I_{set} Low limit = $0.10 \times I_N$
- I_{set} ratio = 10.00 %
- I1/I2 ratio = 49.00 %
- I_0 input = I_{01}
- I_{sum} Difference = $0.10 \times I_N$

Measurements:

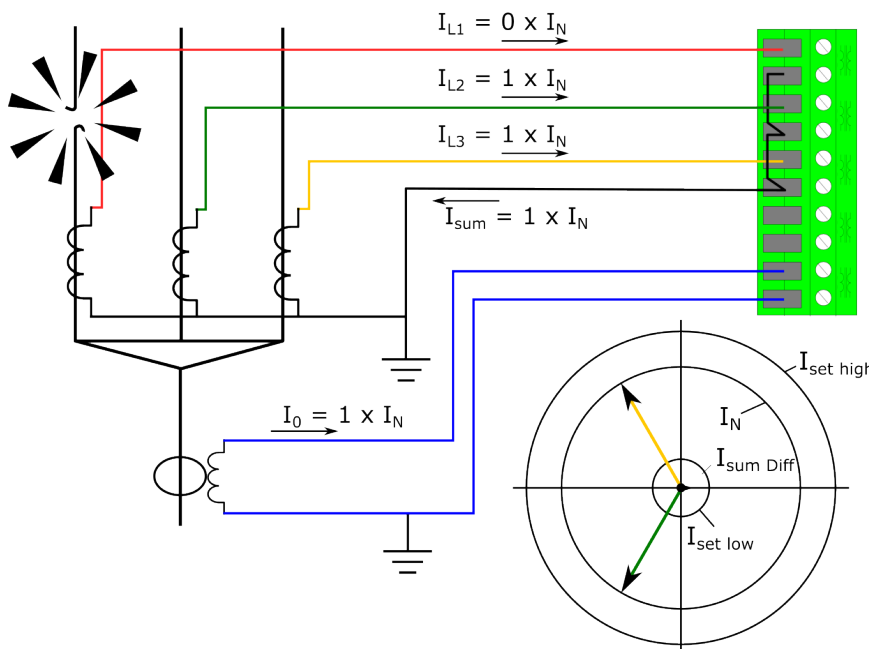
- I_{min} = $1 \times I_N$
- I_{max} = $0 \times I_N$
- I1 = $0.67 \times I_N$
- I2 = $0.33 \times I_N$
- I_{min}/I_{max} = 0
- I2/I1 = 50 %
- I_{sum} Difference = $1.0 \times I_N$

CTS conditions:

- I_{set} High limit ≤ 1
- I_{set} Low limit low ≤ 1
- I_{set} Low limit high ≥ 1
- I ratio ≤ 1
- $I_{unbalance}$ ratio > 1
- I_{sum} Difference > 1

When phase current wire is broken all of the conditions are met in the CTS and alarm shall be issued in case if the situation continues until the set alarming time is met.

Figure. 4.6.1 - 169. Broken primary phase current wiring.



Settings:

- I_{set} High limit = $1.20 \times I_N$
- I_{set} Low limit = $0.10 \times I_N$
- I_{set} ratio = 10.00 %
- I1/I2 ratio = 49.00 %
- I_0 input = I_{01}
- I_{sum} Difference = $0.10 \times I_N$

Measurements:

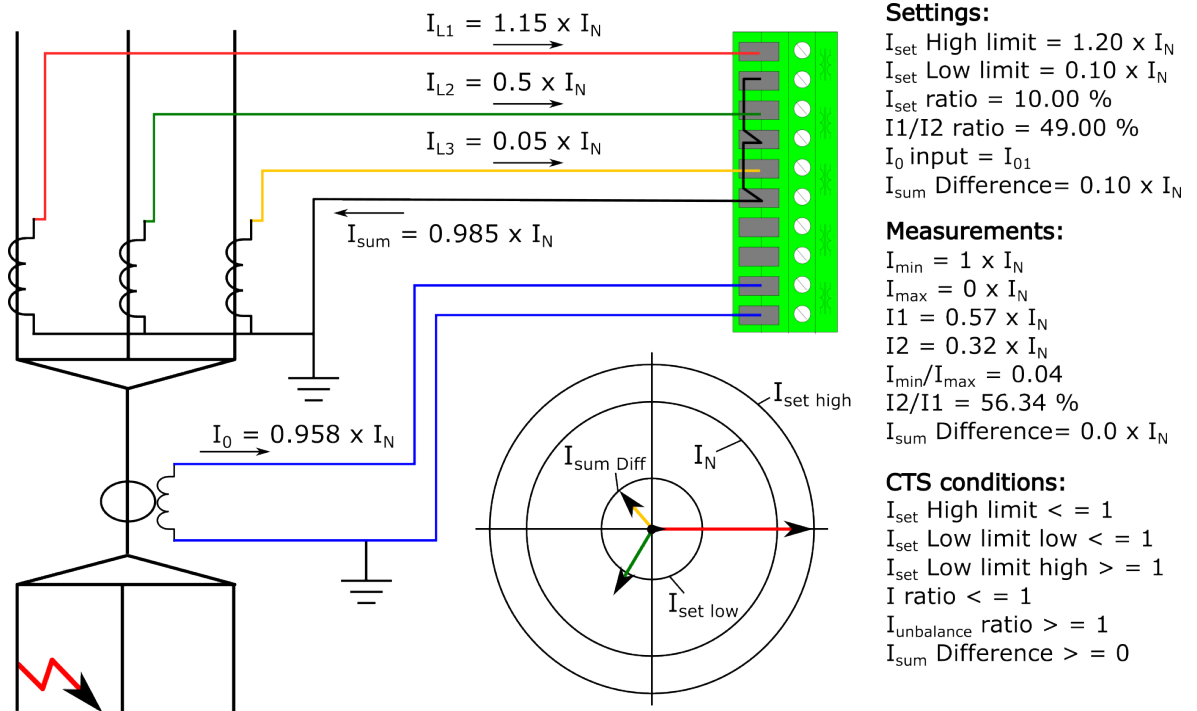
- I_{min} = $0 \times I_N$
- I_{max} = $1 \times I_N$
- I1 = $0.67 \times I_N$
- I2 = $0.33 \times I_N$
- I_{min}/I_{max} = 0
- I2/I1 = 50 %
- I_{sum} Difference = $0.0 \times I_N$

CTS conditions:

- I_{set} High limit ≤ 1
- I_{set} Low limit low ≤ 1
- I_{set} Low limit high ≥ 1
- I ratio ≤ 1
- $I_{unbalance}$ ratio > 1
- I_{sum} Difference > 0

In this example, all other condition are met except the residual difference. That is now $0 \times I_N$, which indicates a primary side fault.

Figure. 4.6.1 - 170. Primary side high-impedance earth fault.



In this example there is a high-impedance earth fault. It does not activate the function, if the measurement conditions are met, while the calculated and measured residual current difference does not reach the limit. The $I_{sum\ difference}$ setting should be set according to the application in order to reach maximum security and maximum sensitivity for the network earthing.

Events and registers

The current transformer supervision function (abbreviated "CTS" in event block names) generates events and registers from the status changes in ALARM ACTIVATED and BLOCKED signals. The user can select which event messages are stored in the main event buffer: ON, OFF, or both.

The events triggered by the function are recorded with a time stamp and with process data values.

Table. 4.6.1 - 262. Event messages.

Event block name	Event names
CTS1	Alarm ON
CTS1	Alarm OFF
CTS1	Block ON
CTS1	Block OFF

The function registers its operation into the last twelve (12) time-stamped registers; this information is available for all provided instances separately. The register of the function records the ON event process data for ACTIVATED, BLOCKED, etc. The table below presents the structure of the function's register content.

Table. 4.6.1 - 263. Register content.

Date and time	Event	Trigger currents	Time to CTSact	Fault type	Used SG
dd.mm.yyyy hh:mm:ss.mss	Event name	The phase currents (L1, L2 & L3), the residual currents (I01 & I02), and the sequence currents (I1 & I2) on trigger time.	Time remaining before alarm activation.	The status code of the monitored current.	Setting group 1...8 active.

4.6.2 Voltage transformer supervision (60)

Voltage transformer supervision is used to detect errors in the secondary circuit of the voltage transformer wiring and during fuse failure. This signal is mostly used as an alarming function or to disable functions that require adequate voltage measurement.

The function uses a total of eight (8) separate setting groups which can be selected from one common source. Also, the operating mode of the function can be changed via setting group selection.

The operational logic consists of the following:

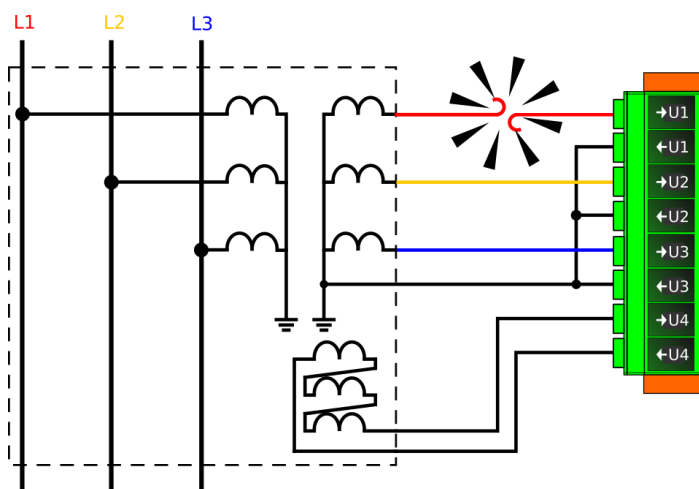
- input magnitude processing
- threshold comparator
- block signal check
- time delay characteristics
- output processing.

The inputs of the function are the following:

- setting parameters
- measured and pre-processed voltage magnitudes.

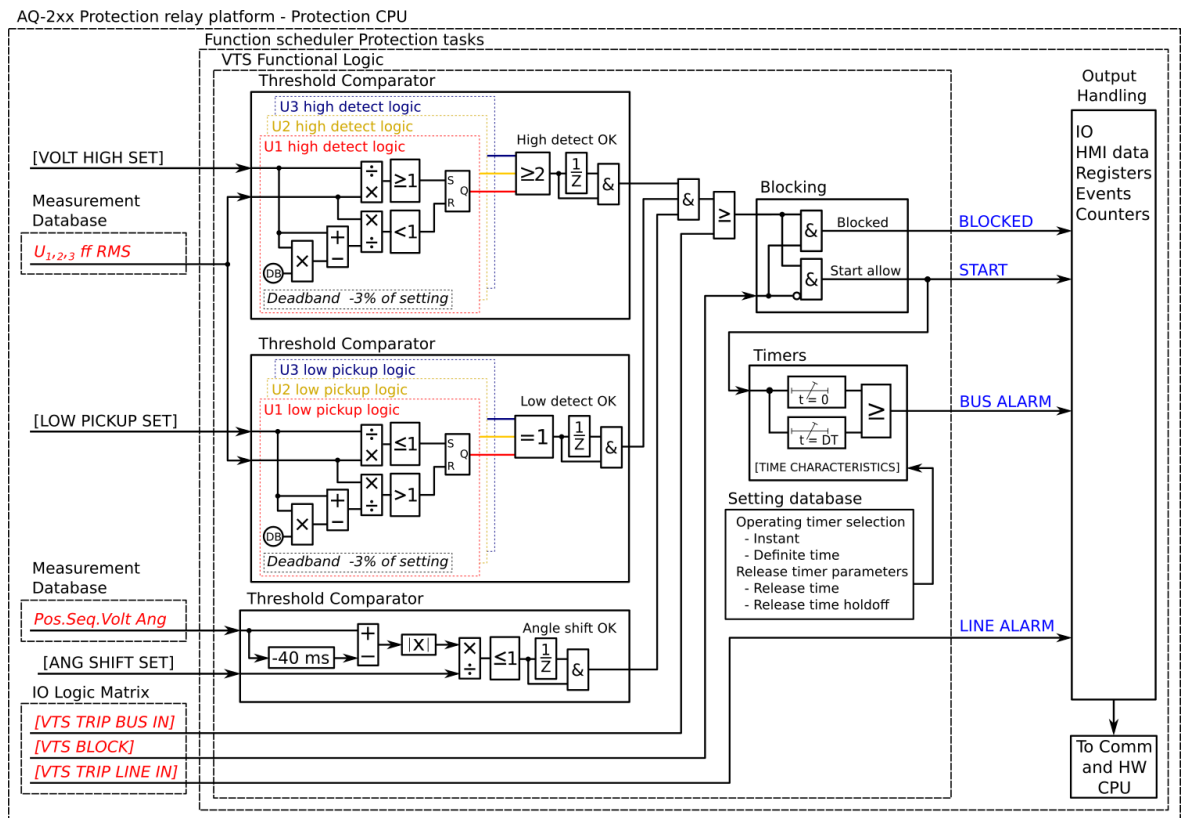
The function's outputs are START, ALARM BUS, ALARM LINE and BLOCKED signals which can be used for direct I/O controlling and user logic programming. The function generates general time-stamped ON/OFF events to the common event buffer from each of the output signals. The time stamp resolution is 1 ms. The function also provides a resettable cumulative counter for the START, ALARM BUS, ALARM LINE and BLOCKED events.

Figure. 4.6.2 - 171. Secondary circuit fault in phase L1 wiring.



The following figure presents a simplified function block diagram of the voltage transformer supervision function.

Figure. 4.6.2 - 172. Simplified function block diagram of the VTS function.



Measured input

The function block uses analog voltage measurement values. Function uses the RMS value of the voltage measurement inputs and the calculated (positive, negative and zero) sequence currents.

Table. 4.6.2 - 264. Measurement inputs of the voltage transformer supervision function.

Signal	Description	Time base
U _{L12} RMS	RMS measurement of voltage U _{L12} /V	5ms
U _{L23} RMS	RMS measurement of voltage U _{L23} /V	5ms
U _{L31} RMS	RMS measurement of voltage U _{L31} /V	5ms
U _{L1} RMS	RMS measurement of voltage U _{L1} /V	5ms
U _{L2} RMS	RMS measurement of voltage U _{L2} /V	5ms
U _{L3} RMS	RMS measurement of voltage U _{L3} /V	5ms
U1P	Positive sequence voltage	5ms
U2N	Negative sequence voltage	5ms
UZ0	Zero sequence voltage	5ms
U _{L12} Ang	Angle of U _{L12} voltage	5ms
U _{L23} Ang	Angle of U _{L23} voltage	5ms

Signal	Description	Time base
U _{L31} Ang	Angle of U _{L31} voltage	5ms
U _{L1} Ang	Angle of U _{L1} voltage	5ms
U _{L2} Ang	Angle of U _{L2} voltage	5ms
U _{L3} Ang	Angle of U _{L3} voltage	5ms

The selection of the AI channel in use is made with a setting parameter. In all possible input channel variations the pre-fault condition is presented with a 20 ms averaged history value from -20 ms from START or TRIP event.

General settings

The following general settings define the general behavior of the function. These settings are static i.e. it is not possible to change them by editing the setting group.

Table. 4.6.2 - 265. General settings of the function.

Name	Range	Default	Description
VTS LN mode	1: On 2: Blocked 3: Test 4: Test/Blocked 5: Off	1: On	Set mode of VTS block. This parameter is visible only when <i>Allow setting of individual LN mode</i> is enabled in <i>General</i> menu.
VTS force status to	0: Normal 1: Start 2: VTLinefail 3: VTBusfail 4: Blocked	0: Normal	Force the status of the function. Visible only when <i>Enable stage forcing</i> parameter is enabled in <i>General</i> menu.

Pick-up

The *Voltage low pick-up* and *Voltage high detect* setting parameters control the voltage-dependent pick-up and activation of the voltage transformer supervision function. The function's pick-up activates, if at least one of the three voltages is under the set *Voltage low pick-up* value, or if at least two of the three voltages exceed the set *Voltage high detect* value. The function constantly calculates the ratio between the setting values and the measured magnitude for each of the three phases.

Table. 4.6.2 - 266. Pick-up settings.

Name	Range	Step	Default	Description
Voltage low pickup	0.05...0.50×U _n	0.01×U _n	0.05×U _n	If one the measured voltages is below low pickup value and two of the measured voltages exceed high detect value the function's pick-up activates.

Name	Range	Step	Default	Description
Voltage high detect	0.01...1.10×U _n	0.01×U _n	0.80×U _n	
Angle shift limit	2.00...90.00deg	0.10deg	5.00deg	If the difference between the present angle and the angle 40 ms before is below the set value, the function's pick-up is blocked.
Bus fuse fail check	0: No 1: Yes	-	1: Yes	Selects whether or not the state of the bus fuse is supervised. The supervised signal is determined the "VTS MCB Trip bus" setting (<i>I/O</i> → <i>Fuse failure inputs</i>).
Line fuse fail check	0: No 1: Yes	-	1: Yes	Selects whether or not the state of the line fuse is supervised. The supervised signal is determined by the "VTS MCB Trip line" setting (<i>I/O</i> → <i>Fuse failure inputs</i>).

The pick-up activation of the function is not directly equal to the START signal generation of the function. The START signal is allowed if the blocking condition is not active. When the activation of the pick-up is based on binary signals, the activation happens immediately after the monitored signal is activated.

The voltage transformer supervision can also report several different states of the measured voltage. These can be seen in the function's *INFO* menu.

Name	Description
Bus dead	No voltages.
Bus Live VTS Ok	All of the voltages are within the set limits.
Bus Live VTS Ok SEQ Rev	All of the voltages are within the set limits BUT the voltages are in a reversed sequence.
Bus Live VTS Ok SEQ Undef	Voltages are within the set limits BUT the sequence cannot be defined.
Bus Live VTS problem	Any of the VTS pick-up conditions are met.

Read-only parameters

The relay's *Info* page displays useful, real-time information on the state of the protection function. It is accessed either through the relay's HMI display, or through the setting tool software when it is connected to the relay and its Live Edit mode is active.

Table. 4.6.2 - 267. Information displayed by the function.

Name	Range	Step	Description
VTS LN behaviour	1: On 2: Blocked 3: Test 4: Test/Blocked 5: Off	-	Displays the mode of VTS block. This parameter is visible only when <i>Allow setting of individual LN mode</i> is enabled in <i>General</i> menu.

Name	Range	Step	Description
VTS condition	0: Normal 1: Start 2: VTLinefail 3: VTBusfail 4: Blocked	-	Displays status of the monitoring function.
Bus voltages	0: Bus dead 1: Bus Live VTS Ok SEQ Ok 2: Bus Live VTS Ok SEQ Rev 3: Bus Live VTS Ok SEQ Undef 4: Bus Live VTS problem	-	Displays the status of bus voltages.
Expected operating time	0.000...1800.000s	0.005s	Displays the expected operating time when a fault occurs.
Time remaining to trip	-1800.000...1800.000s	0.005s	When the function has detected a fault and counts down time towards a operation, this displays how much time is left before operation occurs.

Function blocking

The block signal is checked in the beginning of each program cycle. The blocking signal is received from the blocking matrix in the function's dedicated input. If the blocking signal is not activated when the pick-up element activates, a START signal is generated and the function proceeds to the time characteristics calculation.

If the blocking signal is active when the pick-up element activates, a BLOCKED signal is generated and the function does not process the situation further. If the START function has been activated before the blocking signal, it resets and the release time characteristics are processed similarly to when the pick-up signal is reset.

The blocking of the function causes an HMI display event and a time-stamped blocking event with information of the startup voltage values and its fault type to be issued.

The variables the user can set are binary signals from the system. The blocking signal needs to reach the device minimum of 5 ms before the set operating delay has passed in order for the blocking to activate in time.

Operating time characteristics for activation

This function supports definite time delay (DT). For detailed information on these delay types please refer to the chapter "[General properties of a protection function](#)" and its section "[Operating time characteristics for trip and reset](#)".

Events and registers

The voltage transformer supervision function (abbreviated "VTS" in event block names) generates events and registers from the status changes in ALARM ACTIVATED and BLOCKED signals. The user can select which event messages are stored in the main event buffer: ON, OFF, or both.

The events triggered by the function are recorded with a time stamp and with process data values.

Table. 4.6.2 - 268. Event messages.

Event block name	Event names
VTS1	Bus VT fail Start ON
VTS1	Bus VT fail Start OFF
VTS1	Bus VT fail Trip ON
VTS1	Bus VT fail Trip OFF
VTS1	Bus VT fail Block ON
VTS1	Bus VT fail Block OFF
VTS1	Line VT fail ON
VTS1	Line VT fail OFF
VTS1	Bus Fuse fail ON
VTS1	Bus Fuse fail OFF
VTS1	Line Fuse fail ON
VTS1	Line Fuse fail OFF

The function registers its operation into the last twelve (12) time-stamped registers. The register of the function records the ON event process data for ACTIVATED, BLOCKED, etc. The table below presents the structure of the function's register content.

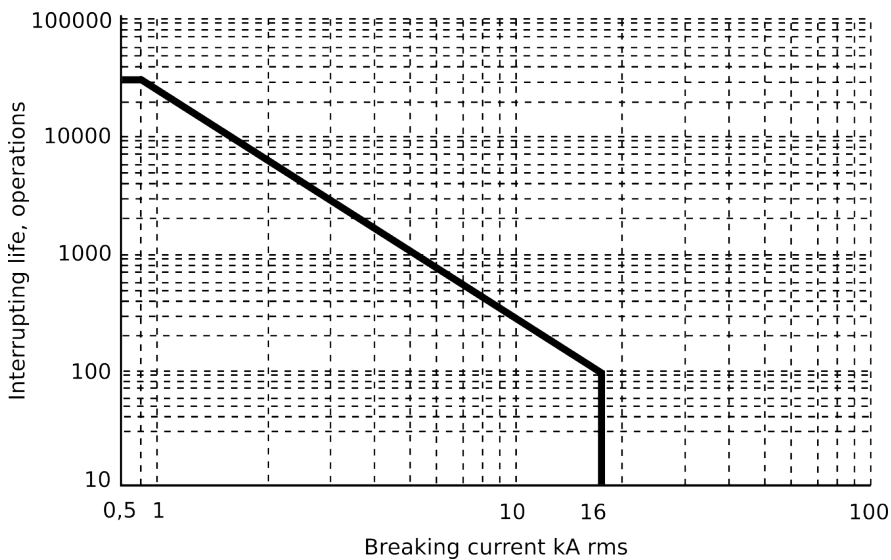
Table. 4.6.2 - 269. Register content.

Date and time	Event	Volt 1, 2, 3, 4 status	System status	Input A, B, C, D angle diff	Trip time remaining	Used SG
dd.mm.yyyy hh:mm:ss.mss	Event name	0: No voltage 1: Voltage OK 2: Low voltage	0: Bus dead 1: Bus live, VTS OK, Seq. OK 2: Bus live, VTS OK, Seq. reversed 3: Bus live, VTS OK, Seq. undefined 4: Bus live, VTS fault	0.00...360.00deg	Time remaining to alarm 0...1800s	Setting group 1...8 active

4.6.3 Circuit breaker wear monitoring

The circuit breaker wear function is used for monitoring the circuit breaker's lifetime and its maintenance needs caused by interrupting currents and mechanical wear. The function uses the circuit breaker's manufacturer-supplied data for the breaker operating cycles in relation to the interrupted current magnitudes.

Figure. 4.6.3 - 173. Example of the circuit breaker interrupting life operations.



The function is triggered from the circuit breaker's "Open" command output and it monitors the three-phase current values in both the tripping moment and the normal breaker opening moment. The maximum value of interrupting life operations for each phase is calculated from these currents. The value is cumulatively deducted from the starting operations starting value. The user can set up two separate alarm levels, which are activated when the value of interrupting life operations is below the setting limit. The "Trip contact" setting defines the output that triggers the current monitoring at the breaker's "Open" command.

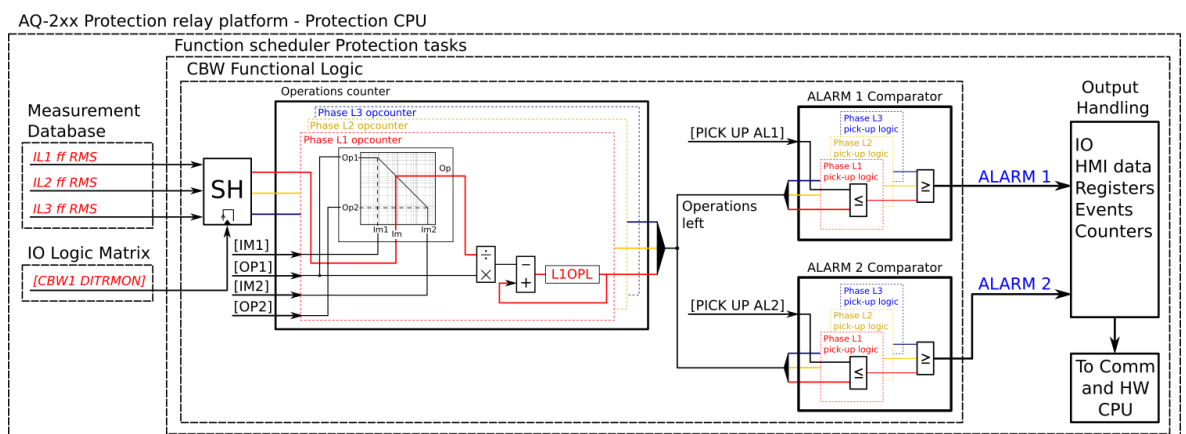
The inputs for the function are the following:

- setting parameters
- binary output signals
- measured and pre-processed current magnitudes.

The function's outputs are ALARM 1 and ALARM 2 signals which can be used for direct I/O controlling and user logic programming. The function generates general time-stamped ON/OFF events to the common event buffer from each of the output signals. The time stamp resolution is 1 ms. The function also provides a resettable cumulative counter for the "Open" operations as well as the ALARM 1 and ALARM 2 events. The function can also monitor the operations left for each phase.

The following figure presents a simplified function block diagram of the circuit breaker wear function.

Figure. 4.6.3 - 174. Simplified function block diagram of the circuit breaker wear function.



Measured input

The function block uses analog current measurement values and always uses the RMS magnitude of the current measurement input.

Table. 4.6.3 - 270. Measurement inputs of the circuit breaker wear function.

Signal	Description	Time base
IL1RMS	RMS measurement of phase L1 (A) current	5ms
IL2RMS	RMS measurement of phase L2 (B) current	5ms
IL3RMS	RMS measurement of phase L3 (C) current	5ms

General settings

The following general settings define the general behavior of the function. These settings are static i.e. it is not possible to change them by switching the setting group.

Table. 4.6.3 - 271. General settings.

Name	Range	Default	Description
CBW LN mode	1: On 2: Blocked 3: Test 4: Test/ Blocked 5: Off	1: On	Set mode of CBW block. This parameter is visible only when <i>Allow setting of individual LN mode</i> is enabled in <i>General</i> menu.
CBW force status to	0: Normal 1: Alarm1 On 2: Alarm2 On	0: Normal	Force the status of the function. Visible only when <i>Enable stage forcing</i> parameter is enabled in <i>General</i> menu.

Circuit breaker characteristics settings

The circuit breaker characteristics are set by two operating points, defined by the nominal breaking current, the maximum allowed breaking current and their respective operation settings. This data is provided by the circuit breaker's manufacturer.

Table. 4.6.3 - 272. Settings for circuit breaker characteristics.

Name	Range	Step	Default	Description
Operations 1	0...200 000	1	50 000	The number of interrupting life operations at the nominal current (Close - Open).
Operations 2	0...200 000	1	100	The number of interrupting life operations at the rated breaking current (Open).
Current 1 (I _{nom})	0...100.00kA	0.01kA	1kA	The rated normal current (RMS).

Name	Range	Step	Default	Description
Current 2 (I_{max})	0...100.00kA	0.01kA	20kA	The rated short-circuit breaking current (RMS).

Pick-up for alarming

For the alarm stages Alarm 1 and Alarm 2, the user can set the pick-up level for the number of operations left. The pick-up setting is common for all phases and the alarm stage picks up if any of the phases goes below this setting.

Table. 4.6.3 - 273. Pick-up settings.

Name	Range	Step	Default	Description
Alarm 1	0: Disabled 1: Enabled	-	0: Disabled	Enable and disable the Alarm 1 stage.
Alarm 1 Set	0...200 000	1	1 000	Defines the pick-up threshold for remaining operations. When the number of remaining operations is below this setting, the ALARM 1 signal is activated.
Alarm 2	0: Disabled 1: Enabled	-	0: Disabled	Enable and disable the Alarm 2 stage.
Alarm 2 Set	0...200 000	1	100	Defines the pick-up threshold for remaining operations. When the number of remaining operations is below this setting, the ALARM 2 signal is activated.

Setting example

Let us examine the settings, using a low-duty vacuum circuit breaker as an example. The image below presents the technical specifications provided by the manufacturer, with the data relevant to our settings highlighted in red:

Rated voltage, kV	24
Rated current, A	800
Rated power frequency test voltage, kV	50
Rated frequency, Hz	50/60
Rated impulse test voltage, kV peak	125
Partial discharge level at 1,1 rated voltage kV, pC	<10
Rated short-circuit breaking current, kA	16
Rated short-circuit making current, kA peak	41.5
Short time withstand current, 4s, kA	16
Mechanical life, CO cycles, not less than	30,000
Interrupting life operations, not less than	
at rated current	30,000
at breaking current	100
at other currents	see Fig.41
Closing time, ms, not more than	35
Opening time, ms, not more than	15
Breaking time, ms, not more than	25
Main contact resistance, μ Ohm, not more than	40
Maximum ambient temperature, C°	+55
Minimum ambient temperature, C°	-40
Design class (according to IEC 60932)	1
Electrical endurance class at rated IEEE/IEC duty	E2
Mechanical endurance class at rated IEEE/IEC duty	M2
Capacitive current switching class	C2
"Mechanical vibration and shock withstand capability, IEC 60721, IEC 60068"	Class 4M4
Maximum altitude above sea level, m	3000*
Maximum humidity, non condensing	98 %
Weight, kg - LD_1	35
Weight, kg - LD_6	55

Now, we set the stage as follows:

Parameter	Setting
Current 1	0.80 kA
Operation 1	30 000 operations
Current 2	16.00 kA
Operations 2	100 operations
Enable Alarm 1	1: Enabled
Alarm 1 Set	1000 operations
Enable Alarm 2	1: Enabled
Alarm 2 Set	100 operations

With these settings, Alarm 1 is issued when the cumulative interruption counter for any of the three phases dips below the set 1000 remaining operations ("Alarm 1 Set"). Similarly, when any of the counters dips below 100 remaining operations, Alarm 2 is issued.

Read-only parameters

The relay's *Info* page displays useful, real-time information on the state of the protection function. It is accessed either through the relay's HMI display, or through the setting tool software when it is connected to the relay and its Live Edit mode is active.

Table. 4.6.3 - 274. Information displayed by the function.

Name	Range	Description
CBW LN behaviour	1: On 2: Blocked 3: Test 4: Test/ Blocked 5: Off	Displays the mode of CBW block. This parameter is visible only when <i>Allow setting of individual LN mode</i> is enabled in <i>General</i> menu.
CBW condition	0: Normal 1: Alarm1 On 2: Alarm2 On	Displays the status of the function.
Breaker operations	-	Cumulative counter of "open" operations.
Alarm 1 counter	-	Alarm 1 operation counter.
Alarm 2 counter	-	Alarm 2 operation counter.
L1 Operations left	-	Operations left for phase L1.
L2 Operations left	-	Operations left for phase L2.
L3 Operations left	-	Operations left for phase L3.

Events and registers

The circuit breaker wear function (abbreviated "CBW" in event block names) generates events and registers from the status changes in Triggered, Alarm 1 and Alarm 2 signals as well as in internal pick-up comparators. The user can select which event messages are stored in the main event buffer: ON, OFF, or both.

The events triggered by the function are recorded with a time stamp and with process data values.

Table. 4.6.3 - 275. Event messages.

Event block name	Event names
CBW1	CBWEAR1 Triggered

Event block name	Event names
CBW1	CBWEAR1 Alarm 1 ON
CBW1	CBWEAR1 Alarm 1 OFF
CBW1	CBWEAR1 Alarm 2 ON
CBW1	CBWEAR1 Alarm 2 OFF

The function registers its operation into the last twelve (12) time-stamped registers. The register of the function records the ON event process data. The table below presents the structure of the function's register content.

Table. 4.6.3 - 276. Register content.

Date and time	Event	Trigger current	Deducted Op	Operations left
dd.mm.yyyy hh:mm:ss.mss	Event name	Phase currents on trigger time	L1/L2/L3 Deducted operations from the cumulative sum	L1/L2/L3 Operations left

4.6.4 Current total harmonic distortion (THD)

The total harmonic distortion (THD) function is used for monitoring the content of the current harmonic. The THD is a measurement of the harmonic distortion present, and it is defined as the ratio between the sum of all harmonic components' powers and the power of the fundamental frequency (RMS).

Harmonics can be caused by different sources in electric networks such as electric machine drives, thyristor controls, etc. The function's monitoring of the currents can be used to alarm of the harmonic content rising too high; this can occur when there is an electric quality requirement in the protected unit, or when the harmonics generated by the process need to be monitored.

The function constantly measures the phase and residual current magnitudes as well as the harmonic content of the monitored signals up to the 31st harmonic component. When the function is activated, the measurements are also available for the mimic and the measurement views in the HMI carousel. The user can also set the alarming limits for each measured channel if the application so requires.

The monitoring of the measured signals can be selected to be based either on an amplitude ratio or on the above-mentioned power ratio. The difference is in the calculation formula (as shown below):

Figure. 4.6.4 - 175. THD calculation formulas.

$$THD_P = \frac{I_{x2}^2 + I_{x3}^2 + I_{x4}^2 \dots I_{x31}^2}{I_{x1}^2}$$

, where
I = measured current,
x = measurement input,
n = harmonic number

$$THD_A = \sqrt{\frac{I_{x2}^2 + I_{x3}^2 + I_{x4}^2 \dots I_{x31}^2}{I_{x1}^2}}$$

, where
I = measured current,
x = measurement input,
n = harmonic number

While both of these formulas exist, the power ratio (THD_P) is recognized by the IEEE, and the amplitude ratio (THD_A) is recognized by the IEC.

The blocking signal and the setting group selection control the operating characteristics of the function during normal operation, i.e. the user or user-defined logic can change function parameters while the function is running. This only applies if the alarming is activated.

The outputs of the function are the START and ALARM signals for the phase current ("THDPH") and the residual currents ("THDI01" and "THDI02") as well as BLOCKED signals. The function uses a total of eight (8) separate setting groups which can be selected from one common source.

The operational logic consists of the following:

- input magnitude processing
- threshold comparator
- block signal chec
- time delay characteristics
- output processing.

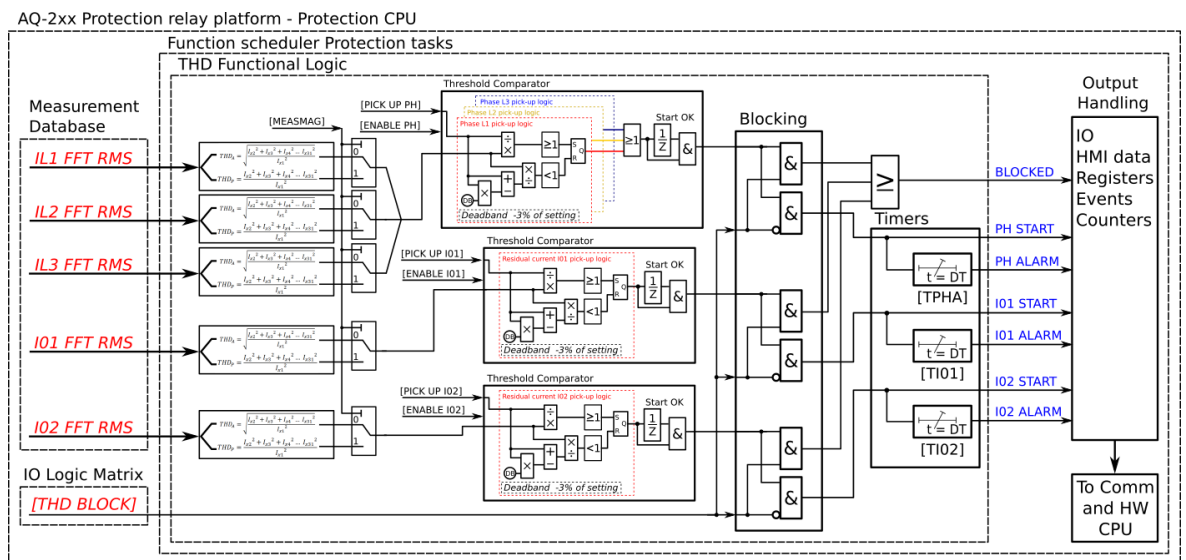
The inputs of the function are the following:

- setting parameters
- digital inputs and logic signals
- measured and pre-processed current magnitudes

The function's outputs are START, ALARM and BLOCKED signals can be used for direct I/O controlling and user logic programming. The function generates general time-stamped ON/OFF events to the common event buffer from each of the output signals. The time stamp resolution is 1 ms. The function also provides a resettable cumulative counter for the START, ALARM and BLOCKED events.

The following figure presents a simplified function block diagram of the total harmonic distortion monitor function.

Figure. 4.6.4 - 176. Simplified function block diagram of the total harmonic distortion monitor function.



Measured input

The function block uses analog current measurement values. The function always uses FFT measurement of the whole harmonic specter of 32 components from each measured current channel. From these measurements the function calculates either the amplitude ratio or the power ratio. A -20 ms averaged value of the selected magnitude is used for pre-fault data registering.

Table. 4.6.4 - 277. Measurement inputs of the total harmonic distortion monitor function.

Signal	Description	Time base
IL1FFT	FFT measurement of phase L1 (A) current	5ms
IL2FFT	FFT measurement of phase L2 (B) current	5ms
IL3FFT	FFT measurement of phase L3 (C) current	5ms
I01FFT	FFT measurement of residual I01 current	5ms
I02FFT	FFT measurement of residual I02 current	5ms

The selection of the calculation method is made with a setting parameter (common for all measurement channels).

General settings

The following general settings define the general behavior of the function. These settings are static i.e. it is not possible to change them by editing the setting group.

Table. 4.6.4 - 278. General settings.

Name	Range	Default	Description
THD> LN mode	1: On 2: Blocked 3: Test 4: Test/ Blocked 5: Off	1: On	Set mode of THD block. This parameter is visible only when <i>Allow setting of individual LN mode</i> is enabled in <i>General</i> menu.
Measurement magnitude	1: Amplitude 2: Power	1: Amplitude	Defines which available measured magnitude the function uses.

Pick-up

The $Phase_{THD}$, $I01_{THD}$ and $I02_{THD}$ setting parameters control the the pick-up and activation of the function. They define the maximum allowed measured current THD before action from the function. Before the function activates alarm signals, their corresponding pick-up elements need to be activated with the setting parameters *Enable phase THD alarm*, *Enable I01 THD alarm* and *Enable I02 THD alarm*. The function constantly calculates the ratio between the setting values and the calculated THD for each of the three phases. The reset ratio of 97 % is built into the function and is always relative to the setting value. The setting value is common for all measured phases. When the calculated THD exceeds the pick-up value (in single, dual or all phases), it triggers the pick-up operation of the function.

Table. 4.6.4 - 279. Pick-up settings.

Name	Range	Step	Default	Description
Enable phase THD alarm	0: Enabled 1: Disabled	-	0: Enabled	Enables and disables the THD alarm function from phase currents.

Name	Range	Step	Default	Description
Enable I01 THD alarm	0: Enabled 1: Disabled	-	0: Enabled	Enables and disables the THD alarm function from residual current input I01.
Enable I02 THD alarm	0: Enabled 1: Disabled	-	0: Enabled	Enables and disables the THD alarm function from residual current input I02.
Phase THD pick-up	0.10...100.00%	0.01%	10.00%	The pick-up setting for the THD alarm element from the phase currents. At least one of the phases' measured THD value has to exceed this setting in order for the alarm signal to activate.
I01 THD pick-up	0.10...100.00%	0.01%	10.00%	The pick-up setting for the THD alarm element from the residual current I01. The measured THD value has to exceed this setting in order for the alarm signal to activate.
I02 THD pick-up	0.10...100.00%	0.01%	10.00%	The pick-up setting for the THD alarm element from the residual current I02. The measured THD value has to exceed this setting in order for the alarm signal to activate.

The pick-up activation of the function is not directly equal to the START signal generation of the function. The START signal is allowed if the blocking condition is not active.

Read-only parameters

The relay's *Info* page displays useful, real-time information on the state of the protection function. It is accessed either through the relay's HMI display, or through the setting tool software when it is connected to the relay and its Live Edit mode is active.

Table. 4.6.4 - 280. Information displayed by the function.

Name	Range	Description
THD> LN behaviour	1: On 2: Blocked 3: Test 4: Test/ Blocked 5: Off	Displays the mode of THD block. This parameter is visible only when <i>Allow setting of individual LN mode</i> is enabled in <i>General</i> menu.
THD condition	0: Normal 1: Start 2: Alarm 3: Blocked	Displays status of the monitoring function.

Function blocking

The block signal is checked in the beginning of each program cycle. The blocking signal is received from the blocking matrix in the function's dedicated input. If the blocking signal is not activated when the pick-up element activates, a START signal is generated and the function proceeds to the time characteristics calculation.

If the blocking signal is active when the pick-up element activates, a BLOCKED signal is generated and the function does not process the situation further. If the START function has been activated before the blocking signal, it resets and the release time characteristics are processed similarly to when the pick-up signal is reset.

The blocking of the function causes an HMI display event and a time-stamped blocking event with information of the startup current values and its fault type to be issued.

The variables the user can set are binary signals from the system. The blocking signal needs to reach the device minimum of 5 ms before the set operating delay has passed in order for the blocking to activate in time.

Operating time characteristics for activation and reset

This function supports definite time delay (DT). The following table presents the setting parameters for the function's time characteristics.

Table. 4.6.4 - 281. Settings for operating time characteristics.

Name	Range	Step	Default	Description
Phase THD alarm delay	0.000...1800.000s	0.005s	10.000s	Defines the delay for the alarm timer from the phase currents' measured THD.
I01 THD alarm delay	0.000...1800.000s	0.005s	10.000s	Defines the delay for the alarm timer from the residual current I01's measured THD.
I02 THD alarm delay	0.000...1800.000s	0.005s	10.000s	Defines the delay for the alarm timer from the residual current I02's measured THD.

Events and registers

The total harmonic distortion monitor function (abbreviated "THD" in event block names) generates events and registers from the status changes in the alarm function when it is activated. The recorded signals are START and ALARM signals for the monitoring elements as well as common BLOCKED signals. The user can select which event messages are stored in the main event buffer: ON, OFF, or both.

The events triggered by the function are recorded with a time stamp and with process data values.

Table. 4.6.4 - 282. Event messages.

Event block name	Event names
THD1	THD Start Phase ON
THD1	THD Start Phase OFF
THD1	THD Start I01 ON
THD1	THD Start I01 OFF
THD1	THD Start I02 ON
THD1	THD Start I02 OFF
THD1	THD Alarm Phase ON
THD1	THD Alarm Phase OFF
THD1	THD Alarm I01 ON
THD1	THD Alarm I01 OFF

Event block name	Event names
THD1	THD Alarm I02 ON
THD1	THD Alarm I02 OFF
THD1	Blocked ON
THD1	Blocked OFF

The function registers its operation into the last twelve (12) time-stamped registers. The register of the function records the ON event process data for START, ALARM and BLOCKED. The table below presents the structure of the function's register content.

Table. 4.6.4 - 283. Register content.

Date and time	Event	L1h, L2h, L3h Fault THD	Used SG
dd.mm.yyyy hh:mm:ss.mss	Event name	Start/Alarm THD of each phase.	Setting group 1...8 active.

4.6.5 Voltage total harmonic distortion (THD)

The voltage total harmonic distortion (THD) function is used for monitoring the content of the voltage harmonic. The THD is a measurement of the harmonic distortion present, and it is defined as the ratio between the sum of all harmonic components' powers and the power of the fundamental frequency (RMS).

Harmonics can be caused by different sources in electric networks such as electric machine drives, thyristor controls, etc. The function's monitoring of the voltage can be used to alarm of the harmonic content rising too high; this can occur when there is an electric quality requirement in the protected unit, or when the harmonics generated by the process need to be monitored.

The function constantly measures the phase voltage magnitudes as well as the harmonic content of the monitored signals up to the 31st harmonic component. The user can set the alarming limits if the application so requires.

The monitoring of the measured signals can be selected to be based either on an amplitude ratio or on the above-mentioned power ratio. The difference is in the calculation formula (as shown below):

Figure. 4.6.5 - 177. THD calculation formulas.

$$THD_P = \frac{U_{x2}^2 + U_{x3}^2 + U_{x4}^2 \dots U_{x31}^2}{U_{x1}^2}$$

, where
U = measured voltage,
x = measurement input,
n = harmonic number

$$THD_A = \sqrt{\frac{U_{x2}^2 + U_{x3}^2 + U_{x4}^2 \dots U_{x31}^2}{U_{x1}^2}}$$

, where
U = measured voltage,
x = measurement input,
n = harmonic number

While both of these formulas exist, the power ratio (THD_P) is recognized by the IEEE, and the amplitude ratio (THD_A) is recognized by the IEC.

The blocking signal and the setting group selection control the operating characteristics of the function during normal operation, i.e. the user or user-defined logic can change function parameters while the function is running. This only applies if the alarming is activated.

The outputs of the function are the START and ALARM ACT signals for the phase voltages ("THDV") as well as BLOCKED signals. The function uses a total of eight (8) separate setting groups which can be selected from one common source.

The operational logic consists of the following:

- input magnitude processing
- threshold comparator
- block signal chec
- time delay characteristics
- output processing.

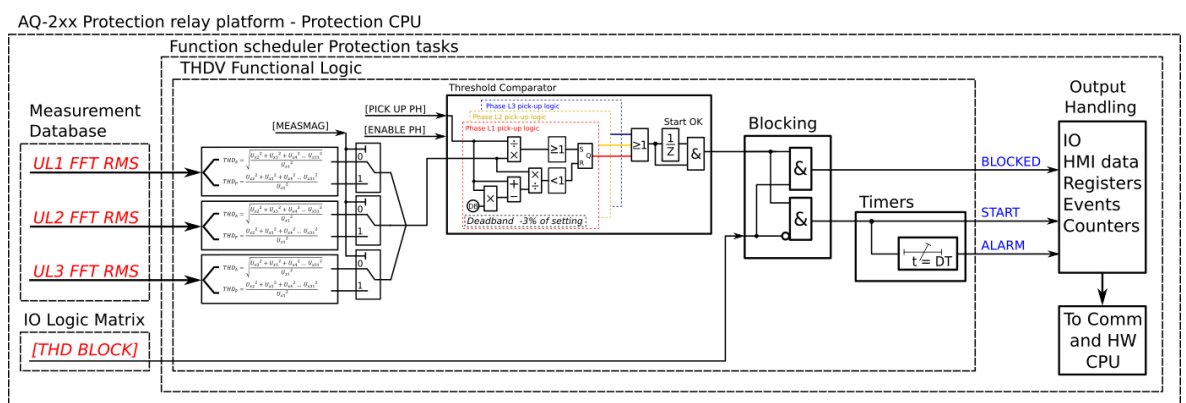
The inputs of the function are the following:

- setting parameters
- digital inputs and logic signals
- measured and pre-processed voltage magnitudes

The function's outputs are START, ALARM and BLOCKED signals can be used for direct I/O controlling and user logic programming. The function generates general time-stamped ON/OFF events to the common event buffer from each of the output signals. The time stamp resolution is 1 ms. The function also provides a resettable cumulative counter for the START, ALARM and BLOCKED events.

The following figure presents a simplified function block diagram of the total harmonic distortion monitor function.

Figure. 4.6.5 - 178. Simplified function block diagram of the total harmonic distortion monitor function.



Measured input

The function block uses analog voltage measurement values. The function always uses FFT measurement of the whole harmonic specter of 32 components from each measured voltage channel. From these measurements the function calculates either the amplitude ratio or the power ratio.

Table. 4.6.5 - 284. Measurement inputs of the total harmonic distortion monitor function.

Signal	Description	Time base
UL1FFT	FFT measurement of phase L1 (A) voltage	5ms
UL2FFT	FFT measurement of phase L2 (B) voltage	5ms
UL3FFT	FFT measurement of phase L3 (C) voltage	5ms

The selection of the calculation method is made with a setting parameter (common for all measurement channels).

General settings

The following general settings define the general behavior of the function. These settings are static i.e. it is not possible to change them by editing the setting group.

Table. 4.6.5 - 285. General settings.

Name	Range	Default	Description
THDV > LN mode	1: On 2: Blocked 3: Test 4: Test/ Blocked 5: Off	1: On	Set mode of THDV block. This parameter is visible only when <i>Allow setting of individual LN mode</i> is enabled in <i>General</i> menu.
Measurement magnitude	1: Amplitude 2: Power	1: Amplitude	Defines which available measured magnitude the function uses.

Pick-up

The THDV pick-up setting parameter controls the the pick-up and activation of the function. They define the maximum allowed measured voltage THD before action from the function. Before the function activates alarm signals, their corresponding pick-up elements need to be activated with the setting parameter *Enable THD alarm*. The function constantly calculates the ratio between the setting values and the calculated voltage THD. The reset ratio of 97 % is built into the function and is always relative to the setting value. The setting value is common for all measured phases. When the calculated THD exceeds the pick-up value (in single, dual or all phases), it triggers the pick-up operation of the function.

Table. 4.6.5 - 286. Pick-up settings.

Name	Range	Step	Default	Description
Enable THDV alarm	0: Enabled 1: Disabled	-	0: Enabled	Enables and disables the THD alarm function.
THDV pick-up	0.10...100.00%	0.01%	10.00%	The pick-up setting for the THD alarm element from the phase voltages. At least one of the phases' measured THD value has to exceed this setting in order for the alarm signal to activate.

The pick-up activation of the function is not directly equal to the START signal generation of the function. The START signal is allowed if the blocking condition is not active.

Read-only parameters

The relay's *Info* page displays useful, real-time information on the state of the protection function. It is accessed either through the relay's HMI display, or through the setting tool software when it is connected to the relay and its Live Edit mode is active.

Table. 4.6.5 - 287. Information displayed by the function.

Name	Range	Description
THDV> LN behaviour	1: On 2: Blocked 3: Test 4: Test/ Blocked 5: Off	Displays the mode of THDV block. This parameter is visible only when <i>Allow setting of individual LN mode</i> is enabled in <i>General</i> menu.
THDV condition	0: Normal 1: Start 2: Alarm 3: Blocked	Displays status of the monitoring function.

Function blocking

The block signal is checked in the beginning of each program cycle. The blocking signal is received from the blocking matrix in the function's dedicated input. If the blocking signal is not activated when the pick-up element activates, a START signal is generated and the function proceeds to the time characteristics calculation.

If the blocking signal is active when the pick-up element activates, a BLOCKED signal is generated and the function does not process the situation further. If the START function has been activated before the blocking signal, it resets and the release time characteristics are processed similarly to when the pick-up signal is reset.

The blocking of the function causes an HMI display event and a time-stamped blocking event with information of the startup voltage values and its fault type to be issued.

The variables the user can set are binary signals from the system. The blocking signal needs to reach the device minimum of 5 ms before the set operating delay has passed in order for the blocking to activate in time.

Operating time characteristics for activation and reset

This function supports definite time delay (DT). The following table presents the setting parameters for the function's time characteristics.

Table. 4.6.5 - 288. Settings for operating time characteristics.

Name	Range	Step	Default	Description
THDV alarm delay	0.000...1800.000s	0.005s	10.000s	Defines the delay for the alarm timer from the phase voltages' measured THD.

Events and registers

The voltage total harmonic distortion monitor function (abbreviated "THDV" in event block names) generates events and registers from the status changes in the alarm function when it is activated. The recorded signals are START and ALARM signals for the monitoring elements as well as common BLOCKED signals. The user can select which event messages are stored in the main event buffer: ON, OFF, or both.

The events triggered by the function are recorded with a time stamp and with process data values.

Table. 4.6.5 - 289. Event messages.

Event block name	Event names
THDV1	Voltage THD Start ON
THDV1	Voltage THD Start OFF
THDV1	Voltage THD Alarm ON
THDV1	Voltage THD Alarm OFF
THDV1	Voltage Blocked ON
THDV1	Voltage Blocked OFF

The function registers its operation into the last twelve (12) time-stamped registers. The register of the function records the ON event process data for START, ALARM and BLOCKED. The table below presents the structure of the function's register content.

Table. 4.6.5 - 290. Register content.

Date and time	Event	UL1, UL2, UL3 THDV	Used SG
dd.mm.yyyy hh:mm:ss.mss	Event name	Start/Alarm Voltage THD of each phase.	Setting group 1...8 active.

4.6.6 Disturbance recorder (DR)

The disturbance recorder is a high-capacity (64 MB permanent flash memory) and fully digital recorder integrated to the protection relay. The maximum sample rate of the recorder's analog channels is 64 samples per cycle. The recorder also supports 95 digital channels simultaneously with the twenty (20) measured analog channels. Maximum capacity of recordings is 100.

The recorder provides a great tool to analyze the performance of the power system during network disturbance situations. The recorder's output is in general COMTRADE format and it is compatible with most viewers and injection devices. The files are based on the IEEE standard C37.111-1999. Captured recordings can be injected as playback with secondary testing tools that support the COMTRADE file format. Playback of files might help to analyze the fault, or can be simply used for educational purposes.

Analog and digital recording channels

Up to 20 analog recording channels and 95 digital channels are supported.

Table. 4.6.6 - 291. Analog recording channels.

Signal	Description
IL1	Phase current I_{L1}
IL2	Phase current I_{L2}
IL3	Phase current I_{L3}
I01c	Residual current I_{01} coarse*
I01f	Residual current I_{01} fine*

Signal	Description
I02c	Residual current I ₀₂ coarse*
I02f	Residual current I ₀₂ fine*
IL1"	Phase current I _{L1} (CT card 2)
IL2"	Phase current I _{L2} (CT card 2)
IL3"	Phase current I _{L3} (CT card 2)
I01"c	Residual current I ₀₁ coarse* (CT card 2)
I01"f	Residual current I ₀₁ fine* (CT card 2)
I02"c	Residual current I ₀₂ coarse* (CT card 2)
I02"f	Residual current I ₀₂ fine* (CT card 2)
U1(2)VT1	Line-to-neutral U _{L1} or line-to-line voltage U ₁₂ (VT card 1)
U2(3)VT1	Line-to-neutral U _{L2} or line-to-line voltage U ₂₃ (VT card 1)
U3(1)VT1	Line-to-neutral U _{L3} or line-to-line voltage U ₃₁ (VT card 1)
U0(ss)VT1	Zero sequence voltage U ₀ or synchrocheck voltage U _{SS} (VT card 1)
F tracked 1	Tracked frequency of reference 1
F tracked 2	Tracked frequency of reference 2
F tracked 3	Tracked frequency of reference 3
ISup	Current measurement module voltage supply supervision (CT card 1)
ISup"	Current measurement module voltage supply supervision (CT card 2)
USup	Voltage measurement module voltage supply supervision (VT card 2)
IL1""	Phase current I _{L1} (CT card 3)
IL2""	Phase current I _{L2} (CT card 3)
IL3""	Phase current I _{L3} (CT card 3)
I01""c	Residual current I ₀₁ coarse* (CT card 3)
I01""f	Residual current I ₀₁ fine* (CT card 3)
I02""c	Residual current I ₀₂ coarse* (CT card 3)
I02""f	Residual current I ₀₂ fine* (CT card 3)
ISup_3	Current measurement module voltage supply supervision (CT card 3)
UL1(2)VT2	Line-to-neutral U _{L1} or line-to-line voltage U ₁₂ (VT card 2)
UL2(3)VT2	Line-to-neutral U _{L2} or line-to-line voltage U ₂₃ (VT card 2)
UL3(1)VT2	Line-to-neutral U _{L3} or line-to-line voltage U ₃₁ (VT card 2)

Signal	Description
U0(SS)VT2	Zero sequence voltage U_0 or synchrocheck voltage U_{SS} (VT card 2)
USup_2	Voltage measurement module voltage supply supervision (VT card 2)

***NOTE:** There are two signals for each residual current channel in the disturbance recorder: coarse and fine. A coarse signal is capable of sampling in the full range of the current channel but suffers a loss of accuracy at very low currents. A fine signal is capable of sampling at very low currents and with high accuracy but cuts off at higher currents. Table below lists performance of both channels with fine and coarse gain.

Table. 4.6.6 - 292. Residual current channel performance with coarse or residual gain.

Channel	Coarse gain range	Fine gain range	Fine gain peak
I01	0...150 A	0...10 A	15 A
I02	0...75 A	0...5 A	8 A

Table. 4.6.6 - 293. Digital recording channels – Measurements.

Signal	Description	Signal	Description
Currents			
Pri.Pha.curr.ILx	Primary phase current ILx (IL1, IL2, IL3)	Pha.curr.ILx TRMS Pri	Primary phase current TRMS (IL1, IL2, IL3)
Pha.angle ILx	Phase angle ILx (IL1, IL2, IL3)	Pos./Neg./Zero seq.curr.	Positive/Negative/Zero sequence current
Pha.curr.ILx	Phase current ILx (IL1, IL2, IL3)	Sec.Pos./Neg./Zero seq.curr.	Secondary positive/negative/zero sequence current
Sec.Pha.curr.ILx	Secondary phase current ILx (IL1, IL2, IL3)	Pri.Pos./Neg./Zero seq.curr.	Primary positive/negative/zero sequence current
Pri.Res.curr.I0x	Primary residual current I0x (I01, I02)	Pos./Neg./Zero seq.curr.angle	Positive/Negative/Zero sequence current angle
Res.curr.angle I0x	Residual current angle I0x (I01, I02)	Res.curr.I0x TRMS	Residual current TRMS I0x (I01, I02)
Res.curr.I0x	Residual current I0x (I01, I02)	Res.curr.I0x TRMS Sec	Secondary residual current TRMS I0x (I01, I02)
Sec.Res.curr.I0x	Secondary residual current I0x (I01, I02)	Res.curr.I0x TRMS Pri	Primary residual current TRMS I0x (I01, I02)
Pri.cal.I0	Primary calculated I0	Pha.Lx ampl. THD	Phase Lx amplitude THD (L1, L2, L3)
Sec.calc.I0	Secondary calculated I0	Pha.Lx pow. THD	Phase Lx power THD (L1, L2, L3)
calc.I0	Calculated I0	Res.I0x ampl. THD	Residual I0x amplitude THD (I01, I02)

Signal	Description	Signal	Description
calc.I0 Pha.angle	Calculated I0 phase angle	Res.I0x pow. THD	Residual I0x power THD (I01, I02)
Pha.curr.ILx TRMS	Phase current TRMS ILx (IL1, IL2, IL3)	P-P curr.ILx	Phase-to-phase current ILx (IL1, IL2, IL3)
Pha.curr.ILx TRMS Sec	Secondary phase current TRMS (IL1, IL2, IL3)	P-P curr.I0x	Phase-to-phase current I0x (I01, I02)
Voltages			
Ux Volt p.u.	Ux voltage in per-unit values (U1, U2, U3, U4)	System volt ULxx mag	Magnitude of the system voltage ULxx (UL12, UL23, UL31)
Ux Volt pri	Primary Ux voltage (U1, U2, U3, U4)	System volt ULxx mag(kV)	Magnitude of the system voltage ULxx in kilovolts (UL12, UL23, UL31)
Ux Volt sec	Secondary Ux voltage (U1, U2, U3, U4)	System volt ULxx ang	Angle of the system voltage ULxx (UL12, UL23, UL31)
Ux Volt TRMS p.u.	Ux voltage TRMS in per-unit values (U1, U2, U3, U4)	System volt ULx mag	Magnitude of the system voltage ULx (U1, U2, U3, U4)
Ux Volt TRMS pri	Primary Ux voltage TRMS (U1, U2, U3, U4)	System volt ULx mag(kV)	Magnitude of the system voltage ULx in kilovolts (U1, U2, U3, U4)
Ux Volt TRMS sec	Secondary Ux voltage TRMS (U1, U2, U3, U4)	System volt ULx ang	Angle of the system voltage ULx (U1, U2, U3, U4)
Pos./Neg./Zero seq.Volt.p.u.	Positive/Negative/Zero sequence voltage in per-unit values	System volt U0 mag	Magnitude of the system voltage U0
Pos./Neg./Zero seq.Volt.pri	Primary positive/negative/zero sequence voltage	System volt U0 mag(kV)	Magnitude of the system voltage U0 in kilovolts
Pos./Neg./Zero seq.Volt.sec	Secondary positive/negative/zero sequence voltage	System volt U0 mag(%)	Magnitude of the system voltage U0 in percentages
Ux Angle	Ux angle (U1, U2, U3, U4)	System volt U0 ang	Angle of the system voltage U0
Pos./Neg./Zero Seq volt.Angle	Positive/Negative/Zero sequence voltage angle	Ux Angle difference	Ux angle difference (U1, U2, U3)
Resistive and reactive currents			
ILx Resistive Current p.u.	ILx resistive current in per-unit values (IL1, IL2, IL3)	Pos.seq. Resistive Current Pri.	Primary positive sequence resistive current

Signal	Description	Signal	Description
ILx Reactive Current p.u.	ILx reactive current in per-unit values (IL1, IL2, IL3)	Pos.seq. Reactive Current Pri.	Primary positive sequence reactive current
Pos.Seq. Resistive Current p.u.	Positive sequence resistive current in per-unit values	I0x Residual Resistive Current Pri.	Primary residual resistive current I0x (I01, I02)
Pos.Seq. Reactive Current p.u.	Positive sequence reactive current in per-unit values	I0x Residual Reactive Current Pri.	Primary residual reactive current I0x (I01, I02)
I0x Residual Resistive Current p.u.	I0x residual resistive current in per-unit values (I01, I02)	ILx Resistive Current Sec.	Secondary resistive current ILx (IL1, IL2, IL3)
I0x Residual Reactive Current p.u.	I0x residual ractive current in per-unit values (I01, I02)	ILx Reactive Current Sec.	Secondary reactive current ILx (IL1, IL2, IL3)
ILx Resistive Current Pri.	Primary resistive current ILx (IL1, IL2, IL3)	I0x Residual Resistive Current Sec.	Secondary residual resistive current I0x (I01, I02)
ILx Reactive Current Pri.	Primary reactive current ILx (IL1, IL2, IL3)	I0x Residual Reactive Current Sec.	Secondary residual reactive current I0x (I01, I02)
Power, GYB, frequency			
Lx PF	Lx power factor (L1, L2, L3)	Curve x Input	Input of Curve x (1, 2, 3, 4)
POW1 3PH Apparent power (S)	Three-phase apparent power	Curve x Output	Output of Curve x (1, 2, 3, 4)
POW1 3PH Apparent power (S MVA)	Three-phase apparent power in megavolt-amperes	Enablebasedfunctions(VT1)	Enable frequency-based functions
POW1 3PH Active power (P)	Three-phase active power	Track.sys.f.	Tracked system frequency
POW1 3PH Active power (P MW)	Three-phase active power in megawatts	Sampl.f. used	Used sample frequency
POW1 3PH Reactive power (Q)	Three-phase reactive power	Tr f CH x	Tracked frequency (channels A, B, C)
POW1 3PH Reactive power (Q MVar)	Three-phase reactive power in megavars	Alg f Fast	Fast frequency algorithm
POW1 3PH Tan(phi)	Three-phase tangent phi	Alg f avg	Average frequency algorithm
POW1 3PH Cos(phi)	Three-phase cosine phi	Frequency based protections blocked	When true ("1"), all frequency-based protections are blocked.

Signal	Description	Signal	Description
3PH PF	Three-phase power factor	f atm. Protections (when not measurable returns to nominal)	Frequency at the moment. If the system nominal is set to 50 Hz, this will show "50 Hz".
Neutral conductance G (Pri)	Primary neutral conductance	f atm. Display (when not measurable is 0 Hz)	Frequency at the moment. If the frequency is not measurable, this will show "0 Hz".
Neutral susceptance B (Pri)	Primary neutral susceptance	f meas qlty	Quality of tracked frequency
Neutral admittance Y (Pri)	Primary neutral admittance	f meas from	Indicates which of the three voltage or current channel frequencies is used by the relay.
Neutral admittance Y (Ang)	Neutral admittance angle	SS1.meas.frqs	Synchrocheck – the measured frequency from voltage channel 1
I01 Resistive component (Pri)	Primary resistive component I01	SS2.meas.frqs	Synchrocheck – the measured frequency from voltage channel 2
I01 Capacitive component (Pri)	Primary capacitive component I01	Enable f based functions	Status of this signal is active when frequency-based protection functions are enabled.

Table. 4.6.6 - 294. Digital recording channels – Binary signals.

Signal	Description	Signal	Description
Dlx	Digital input 1...11	Timer x Output	Output of Timer 1...10
Open/close control buttons	Active if buttons I or O in the unit's front panel are pressed.	Internal Relay Fault active	If the unit has an internal fault, this signal is active.
Status PushButton x On	Status of Push Button 1...12 is ON	(Protection, control and monitoring event signals)	(see the individual function description for the specific outputs)
Status PushButton x Off	Status of Push Button 1...12 is OFF	Always True/False	"Always false" is always "0". Always true is always "1".
Forced SG in use	Stage forcing in use	OUTx	Output contact statuses
SGx Active	Setting group 1...8 active	GOOSE INx	GOOSE input 1...64
Double Ethernet LinkA down	Double ethernet communication card link A connection is down.	GOOSE INx quality	Quality of GOOSE input 1...64
Double Ethernet LinkB down	Double ethernet communication card link B connection is down.	Logical Input x	Logical input 1...32
MBIO ModA Ch x Invalid	Channel 1...8 of MBIO Mod A is invalid	Logical Output x	Logical output 1...64

Signal	Description	Signal	Description
MBIO ModB Ch x Invalid	Channel 1...8 of MBIO Mod B is invalid	NTP sync alarm	If NTP time synchronization is lost, this signal will be active.
MBIO ModB Ch x Invalid	Channel 1...8 of MBIO Mod C is invalid	Ph.Rotating Logic control 0=A-B-C, 1=A-C-B	Phase rotating order at the moment. If true ("1") the phase order is reversed.



NOTICE!

Digital channels are measured every 5 ms.

Recording settings and triggering

Disturbance recorder can be triggered manually or automatically by using the dedicated triggers. Every signal listed in "Digital recording channels" can be selected to trigger the recorder.

The device has a maximum limit of 100 for the number of recordings. Even when the recordings are very small, their number cannot exceed 100. The number of analog and digital channels together with the sample rate and the time setting affect the recording size. See calculation examples below in the section titled "Estimating the maximum length of total recording time".

Table. 4.6.6 - 295. Recorder control settings.

Name	Range	Step	Default	Description
Recorder enabled	0: Enabled 1: Disabled	-	0: Enabled	Enables and disables the disturbance recorder function.
Recorder status	0: Recorder ready 1: Recording triggered 2: Recording and storing 3: Storing recording 4: Recorder full 5: Wrong config	-	-	Indicates the status of recorder.
Clear record+	0...2 ³² -1	1	-	Clears selected recording. If "1" is inserted, first recording will be cleared from memory. If "10" is inserted, tenth (10th) recording will be cleared from memory.
Manual trigger	0: - 1: Trig	-	0: -	Triggers disturbance recording manually. This parameter will return back to "-" automatically.
Clear all records	0: - 1: Clear	-	0: -	Clears all disturbance recordings.
Clear newest record	0: - 1: Clear	-	0: -	Clears the newest stored disturbance recording.
Clear oldest record	0: - 1: Clear	-	0: -	Clears the oldest stored disturbance recording.

Name	Range	Step	Default	Description
Max. number of recordings	0...100	1	-	Displays the maximum number of recordings that can be stored in the device's memory with settings currently in use. The maximum number of recordings can go up to 100.
Max. length of a recording	0.000...1800.000s	0.001s	-	Displays the maximum length of a single recording.
Max. location of the pre-trigger	0.000...1800.000s	0.001s	-	Displays the highest pre-triggering time that can be set with the settings currently in use.
Recordings in memory	0...100	1	-	Displays how many recordings are stored in the memory.

Table. 4.6.6 - 296. Recorder trigger setting.


Name	Description
Recorder trigger	Selects the trigger input(s). Clicking the "Edit" button brings up a pop-up window, and checking the boxes enable the selected triggers.

Table. 4.6.6 - 297. Recorder settings.

Name	Range	Step	Default	Description
Recording length	0.100...1800.000s	0.01s	1s	Sets the length of a recording.
Recording mode	0: FIFO 1: Keep olds	-	0: FIFO	Selects what happens when the memory is full. "FIFO" (= first in, first out) replaces the oldest stored recording with the latest one. "Keep olds" does not accept new recordings.
Analog channel samples	0: 64s/c 1: 32s/c 2: 16s/c 3: 8s/c	-	0: 64s/c	Selects the sample rate of the disturbance recorder in samples per cycle. The samples are saved from the measured wave according to this setting.
Digital channel samples	5ms (fixed)	-	5 ms(fixed)	The fixed sample rate of the recorded digital channels.
Pretriggering time	0.2...30.0s	0.1s	0.2s	Sets the recording length before the trigger.
Analog recording CH1...CH20	0...8 freely selectable channels	-	-	Selects the analog channel for recording. Please see the list of all available analog channels in the section titled "Analog and digital recording channels".

Name	Range	Step	Default	Description
Automatically get recordings	0: Disabled 1: Enabled	-	0: Disabled	Enables and disables the automatic transfer of recordings. The recordings are taken from the relay's protection CPU and transferred to the relay's FTP directory in the communication CPU; the FTP client then automatically loads the recordings from the relay and transfers them further to the SCADA system. Please note that when this setting is enabled, all new disturbance recordings will be pushed to the FTP server of the relay. Up to six (6) recordings can be stored in the FTP at once. Once those six recordings have been retrieved and removed, more recordings will then be pushed to the FTP. When a recording has been sent to the FTP server of the relay, it is no longer accessible through setting tools <i>Disturbance recorder</i> → <i>Get DR files</i> command.
Recorder digital channels	0...95 freely selectable channels	-	-	Selects the digital channel for recording. Please see the list of all available digital channels in the section titled "Analog and digital recording channels".

NOTICE!



The disturbance recorder is not ready unless the "Max. length of a recording" parameter is showing some value other than zero. At least one trigger input has to be selected in the "Recorder Trigger" setting to fulfill this term.

Estimating the maximum length of total recording time

Once the disturbance recorder's settings have been made and loaded to the relay, the device automatically calculates and displays the total length of recordings. However, if the user wishes to confirm this calculation, they can do so with the following formula. Please note that the formula assumes there are no other files in the FTP that share the 64 MB space.

$$\frac{\text{Total sample reserve}}{(f_n * (Ch_{an} + 1) * SR) + (200 \text{ Hz} * Ch_{dig})}$$

Where:

- total sample reserve = the number of samples available in the FTP when no other files are saved; calculated by dividing the total number of available bytes by 4 bytes (=the size of one sample); e.g. 64 306 588 bytes/4 bytes = 16 076 647 samples.
- f_n = the nominal frequency (Hz).
- Ch_{an} = the number of analog channels recorded; "+ 1" stands for the time stamp for each recorded sample.
- SR = the selected sample rate (s/c).
- 200 Hz = the rate at which digital channels are always recorded, i.e. 5 ms.
- Ch_{dig} = the number of digital channels recorded.

For example, let us say the nominal frequency is 50 Hz, the selected sample rate is 64 s/c, nine (9) analog channels and two (2) digital channels record. The calculation is as follows:

$$\frac{16\,076\,647 \text{ samples}}{(50 \text{ Hz} * (9 + 1) * 64) + (200 \text{ Hz} * 2)} \approx 496 \text{ s}$$

Therefore, the maximum recording length in our example is approximately 496 seconds.

Application example

This chapter presents an application example of how to set the disturbance recorder and analyze its output. The recorder is configured by using the setting tool software or relay HMI, and the results are analyzed with the AQviewer software (is automatically downloaded and installed with AQtivate). Registered users can download the latest tools from the Arcteq website (arcteq.fi/downloads/).

In this example, we want the recordings to be made according to the following specifications:

- the recording length is 6.0 s
- the sample rate is 64 s/c (therefore, with a 50 Hz system frequency a sample is taken every 312.5 μ s)
- the analog channels 1...8 are used
- digital channels are tracked every 5 ms
- the first activation of the overcurrent stage trip ($I > TRIP$) triggers the recorder
- the pre-triggering time is 5 (ie. how long is recorded before the $I > TRIP$ signal) and the post-triggering time is 1 s

The image below shows how these settings are placed in the setting tool.

Figure. 4.6.6 - 179. Disturbance recorder settings.

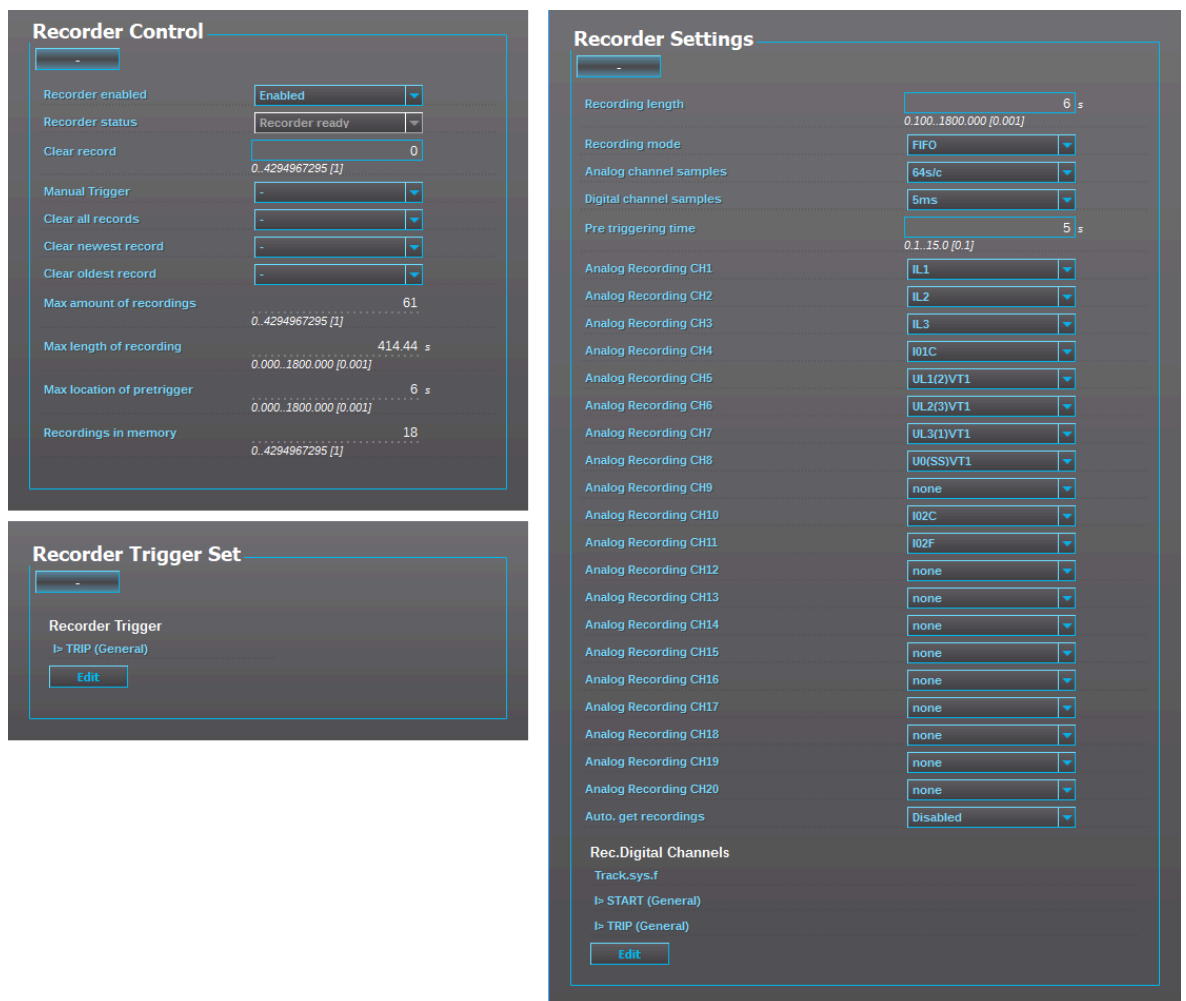
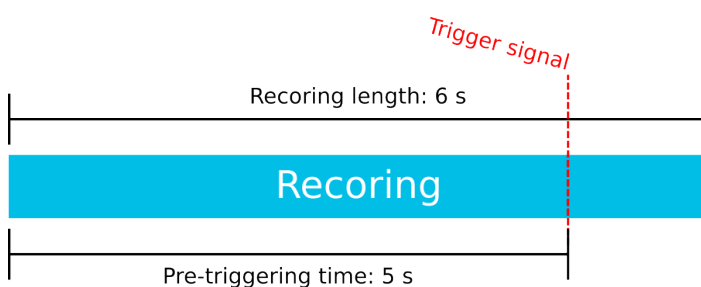
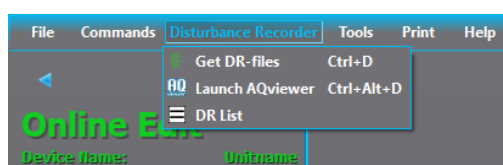


Figure. 4.6.6 - 180. Effects of recording length and pre-triggering time signals. This example is based on the settings shown above.



When there is at least one recording in the device's memory, that recording can be analyzed by using the AQviewer software (see the image below). However, the recording must first be made accessible to AQViewer. The user can read it from the device's memory (*Disturbance recorder* → *Get DR-files*). Alternatively, the user can load the recordings individually (*Disturbance recorder* → *DR List*) from a folder in the PC's hard disk drive; the exact location of the folder is described in *Tools* → *Settings* → *DR path*.



The user can also launch the AQviewer software from the *Disturbance recorder* menu. AQviewer software instructions can be found in AQtivate 200 Instruction manual (arcteq.fi/downloads/).

Events

The disturbance recorder function (abbreviated "DR" in event block names) generates events and registers from the status changes of the function: the recorder generates an event each time it is triggered (manually or by dedicated signals). Events cannot be masked off. The user can select which event messages are stored in the main event buffer: ON, OFF, or both.

Table. 4.6.6 - 298. Event messages.

Event block name	Event names
DR1	Recorder triggered ON
DR1	Recorder triggered OFF
DR1	Recorder memory cleared
DR1	Oldest record cleared
DR1	Recorder memory full ON
DR1	Recorder memory full OFF
DR1	Recording ON
DR1	Recording OFF
DR1	Storing recording ON
DR1	Storing recording OFF

Event block name	Event names
DR1	Newest record cleared

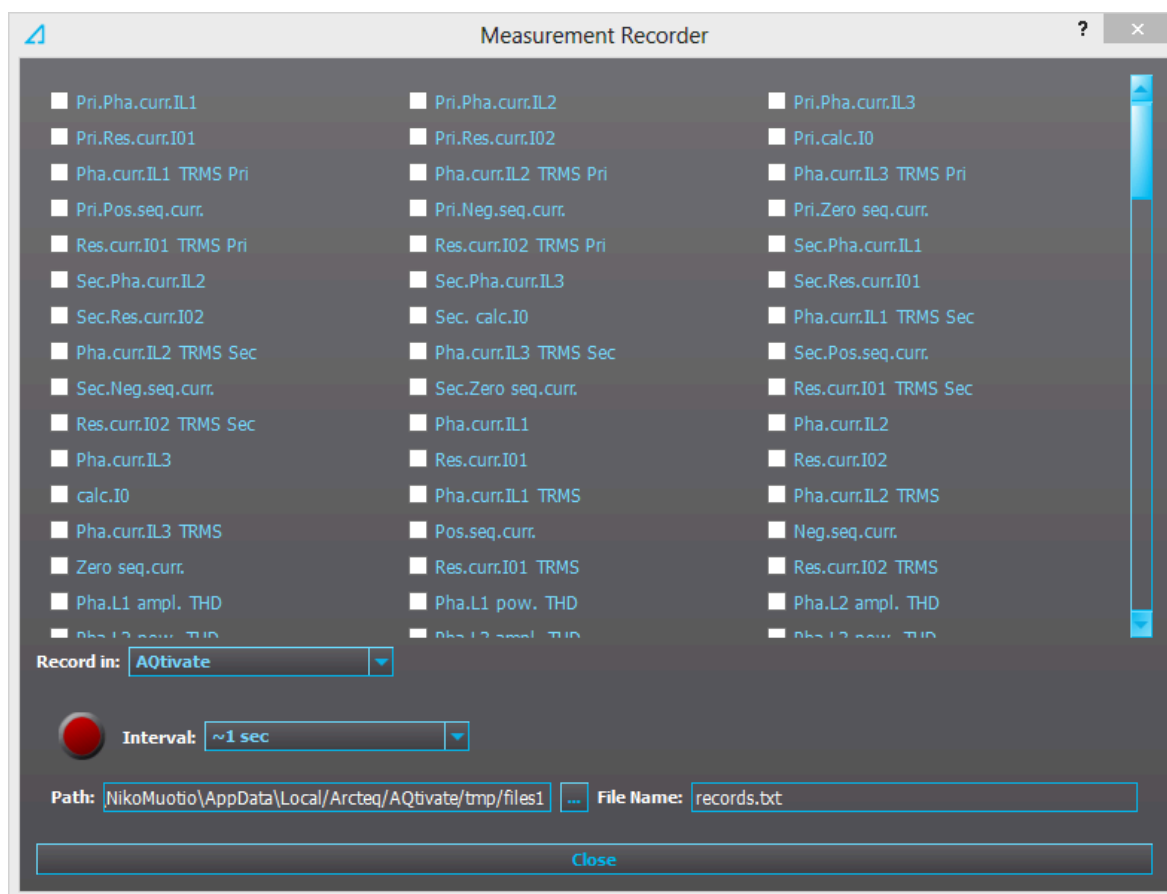
4.6.7 Event logger

Event logger records status changes of protection functions, digital inputs, logical signals etc. Events are recorded with a timestamp. The time stamp resolution is 1 ms. Up to 15 000 events can be stored at once. When 15 000 events have been recorded, the event history will begin to remove the oldest events to make room for new events. You can find more information about event masks in the selected function's "Events" tab. Event masks determine what is recorded into the event history; they are configured in each function's individual settings in the *Protection*, *Control* and *Monitoring* menu. Event history is accessible with PC setting tool (*Tools* → *Events and Logs* → *Event history*) and from the device HMI if "Events" view has been configured with Carousel designer in PC setting tool.

Event overload detection

Continuous generation of a high number of nuisance events may have adverse effects on the operation and communication capabilities of the device. A high number of nuisance events may end up being generated due to mistakes in configuration and/or installation. For example, mistakes in logic configuration or RTD sensor wiring, in conjunction with suitable event mask settings may generate an excessive number of unintended events. Event overload detector looks for a condition where over 200 events are being generated inside one (1) second window (more than 1 event every 5 milliseconds on average). If such a condition is detected, further events are blocked and an IRF (Internal Relay Fault-message) is issued. The event blocking is released and the IRF can be cleared after 5 seconds if the overload condition has been corrected. Other device operations, such as protection and communication, remain available even during the event overload condition.

4.6.8 Measurement recorder



Measurements can be recorded to a file with the measurement recorder. The chosen measurements are recorded at selected intervals. In the "Measurement recorder" window, the measurements the user wants to be recorded can be selected by checking their respective check boxes. In order for the measurement recorder to activate, a connection to a relay must be established via the setting tool software and its Live Edit mode must be enabled (see the AQtivate 200 manual for more information). Navigate to the measurement recorder through *Tools* → *Miscellaneous tools* → *Measurement recorder*. The recording interval can be changed from the "Interval" drop-down menu. From the "Record in" drop-down menu the user can also choose whether the measurements are recorded in the setting tool or in the relay.

If the recording is done in the setting tool, both the setting tool software and its Live Edit mode have to be activated. The user can change the recording file location by editing the "Path" field. File names can also be changed with the "File name" field. Hitting the "Record" button (the big red circle) starts the recorder. Please note that closing the "Measurement recorder" window does not stop the recording; that can only be done by hitting the "Stop" button (the big blue circle).

If the recording is done in the relay, only the recording interval needs to be set before recording can be started. The setting tool estimates the maximum recording time, which depends on the recording interval. When the measurement recorder is running, the measurements can be viewed in graph form with the AQtivate PRO software (see the image below).

Figure. 4.6.8 - 181. Measurement recorder values viewed with AQtivate PRO.

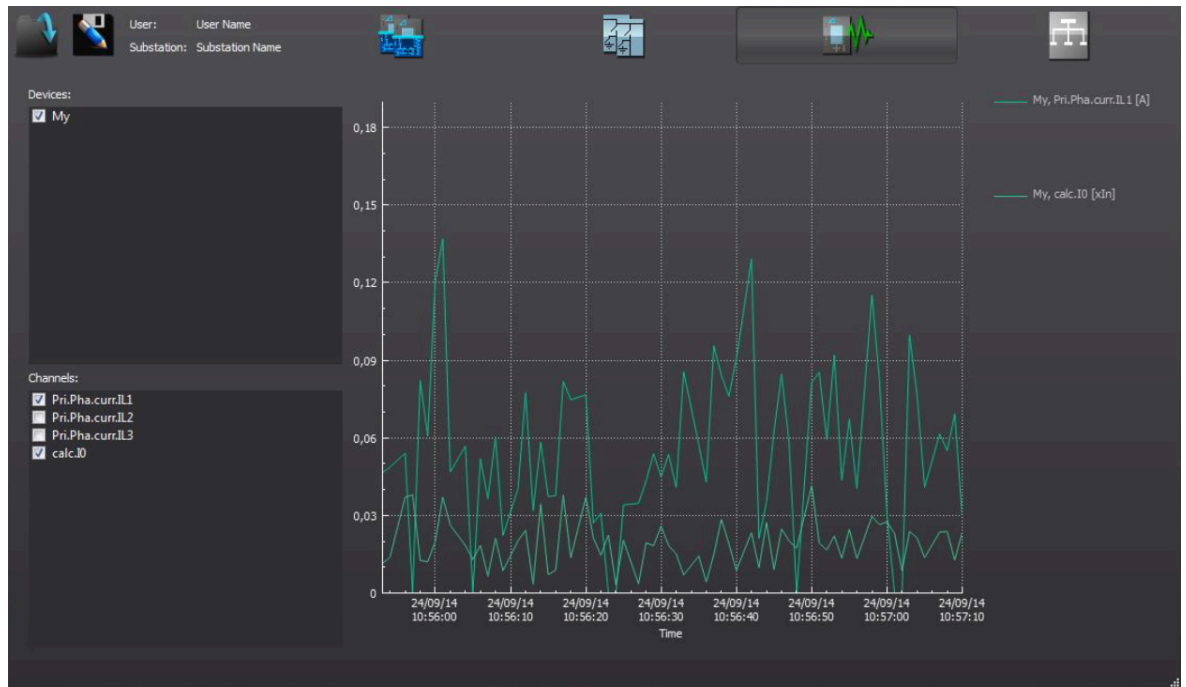


Table. 4.6.8 - 299. Available analog signals.

Current measurements	P-P Curr.I" L3	L1 Imp.React.Ind.E.Mvarh
Pri.Pha.Curr.IL1	P-P Curr.I" 01	L1 Imp.React.Ind.E.kvarh
Pri.Pha.Curr.IL2	P-P Curr.I" 02	L1 Exp/Imp React.Ind.E.bal.Mvarh
Pri.Pha.Curr.IL3	Pha.angle I" L1	L1 Exp/Imp React.Ind.E.bal.kvarh
Pri.Res.Curr.I01	Pha.angle I" L2	L2 Exp.Active Energy MWh
Pri.Res.Curr.I02	Pha.angle I" L3	L2 Exp.Active Energy kWh
Pri.Calc.I0	Res.Curr.angle I" 01	L2 Imp.Active Energy MWh
Pha.Curr.IL1 TRMS Pri	Res.Curr.angle I" 02	L2 Imp.Active Energy kWh
Pha.Curr.IL2 TRMS Pri	Calc.I" 0.angle	L2 Exp/Imp Act. E balance MWh
Pha.Curr.IL3 TRMS Pri	I" Pos.Seq.Curr.angle	L2 Exp/Imp Act. E balance kWh
Pri.Pos.Seq.Curr.	I" Neg.Seq.Curr.angle	L2 Exp.React.Cap.E.Mvarh
Pri.Neg.Seq.Curr.	I" Zero.Seq.Curr.angle	L2 Exp.React.Cap.E.kvarh
Pri.Zero.Seq.Curr.	Voltage measurements	L2 Imp.React.Cap.E.Mvarh
Res.Curr.I01 TRMS Pri	U1Volt Pri	L2 Imp.React.Cap.E.kvarh
Res.Curr.I02 TRMS Pri	U2Volt Pri	L2 Exp/Imp React.Cap.E.bal.Mvarh
Sec.Pha.Curr.IL1	U3Volt Pri	L2 Exp/Imp React.Cap.E.bal.kvarh
Sec.Pha.Curr.IL2	U4Volt Pri	L2 Exp.React.Ind.E.Mvarh

Sec.Pha.Curr.IL3	U1Volt Pri TRMS	L2 Exp.React.Ind.E.kvarh
Sec.Res.Curr.I01	U2Volt Pri TRMS	L2 Imp.React.Ind.E.Mvarh
Sec.Res.Curr.I02	U3Volt Pri TRMS	L2 Imp.React.Ind.E.kvarh
Sec.Calc.I0	U4Volt Pri TRMS	L2 Exp/Imp React.Ind.E.bal.Mvarh
Pha.Curr.IL1 TRMS Sec	Pos.Seq.Volt.Pri	L2 Exp/Imp React.Ind.E.bal.kvarh
Pha.Curr.IL2 TRMS Sec	Neg.Seq.Volt.Pri	L3 Exp.Active Energy MWh
Pha.Curr.IL3 TRMS Sec	Zero.Seq.Volt.Pri	L3 Exp.Active Energy kWh
Sec.Pos.Seq.Curr.	U1Volt Sec	L3 Imp.Active Energy MWh
Sec.Neg.Seq.Curr.	U2Volt Sec	L3 Imp.Active Energy kWh
Sec.Zero.Seq.Curr.	U3Volt Sec	L3 Exp/Imp Act. E balance MWh
Res.Curr.I01 TRMS Sec	U4Volt Sec	L3 Exp/Imp Act. E balance kWh
Res.Curr.I02 TRMS Sec	U1Volt Sec TRMS	L3 Exp.React.Cap.E.Mvarh
Pha.Curr.IL1	U2Volt Sec TRMS	L3 Exp.React.Cap.E.kvarh
Pha.Curr.IL2	U3Volt Sec TRMS	L3 Imp.React.Cap.E.Mvarh
Pha.Curr.IL3	U4Volt Sec TRMS	L3 Imp.React.Cap.E.kvarh
Res.Curr.I01	Pos.Seq.Volt.Sec	L3 Exp/Imp React.Cap.E.bal.Mvarh
Res.Curr.I02	Neg.Seq.Volt.Sec	L3 Exp/Imp React.Cap.E.bal.kvarh
Calc.I0	Zero.Seq.Volt.Sec	L3 Exp.React.Ind.E.Mvarh
Pha.Curr.IL1 TRMS	U1Volt p.u.	L3 Exp.React.Ind.E.kvarh
Pha.Curr.IL2 TRMS	U2Volt p.u.	L3 Imp.React.Ind.E.Mvarh
Pha.Curr.IL3 TRMS	U3Volt p.u.	L3 Imp.React.Ind.E.kvarh
Pos.Seq.Curr.	U4Volt p.u.	L3 Exp/Imp React.Ind.E.bal.Mvarh
Neg.Seq.Curr.	U1Volt TRMS p.u.	L3 Exp/Imp React.Ind.E.bal.kvarh
Zero.Seq.Curr.	U2Volt TRMS p.u.	Exp.Active Energy MWh
Res.Curr.I01 TRMS	U3Volt p.u.	Exp.Active Energy kWh
Res.Curr.I02 TRMS	U4Volt p.u.	Imp.Active Energy MWh
Pha.L1 ampl. THD	Pos.Seq.Volt. p.u.	Imp.Active Energy kWh
Pha.L2 ampl. THD	Neg.Seq.Volt. p.u.	Exp/Imp Act. E balance MWh
Pha.L3 ampl. THD	Zero.Seq.Volt. p.u.	Exp/Imp Act. E balance kWh
Pha.L1 pow. THD	U1Volt Angle	Exp.React.Cap.E.Mvarh
Pha.L2 pow. THD	U2Volt Angle	Exp.React.Cap.E.kvarh
Pha.L3 pow. THD	U3Volt Angle	Imp.React.Cap.E.Mvarh

Res.I01 ampl. THD	U4Volt Angle	Imp.React.Cap.E.kvarh
Res.I01 pow. THD	Pos.Seq.Volt. Angle	Exp/Imp React.Cap.E.bal.Mvarh
Res.I02 ampl. THD	Neg.Seq.Volt. Angle	Exp/Imp React.Cap.E.bal.kvarh
Res.I02 pow. THD	Zero.Seq.Volt. Angle	Exp.React.Ind.E.Mvarh
P-P Curr.IL1	System Volt UL12 mag	Exp.React.Ind.E.kvarh
P-P Curr.IL2	System Volt UL12 mag (kV)	Imp.React.Ind.E.Mvarh
P-P Curr.IL3	System Volt UL23 mag	Imp.React.Ind.E.kvarh
P-P Curr.I01	System Volt UL23 mag (kV)	Exp/Imp React.Ind.E.bal.Mvarh
P-P Curr.I02	System Volt UL31 mag	Exp/Imp React.Ind.E.bal.kvarh
Pha.angle IL1	System Volt UL31 mag (kV)	Other measurements
Pha.angle IL2	System Volt UL1 mag	TM> Trip expect mode
Pha.angle IL3	System Volt UL1 mag (kV)	TM> Time to 100% T
Res.Curr.angle I01	System Volt UL2 mag	TM> Reference T curr.
Res.Curr.angle I02	System Volt UL2 mag (kV)	TM> Active meas curr.
Calc.I0.angle	System Volt UL3 mag	TM> T est.with act. curr.
Pos.Seq.Curr.angle	System Volt UL3 mag (kV)	TM> T at the moment
Neg.Seq.Curr.angle	System Volt U0 mag	TM> Max.Temp.Rise All.
Zero.Seq.Curr.angle	System Volt U0 mag (kV)	TM> Temp.Rise atm.
Pri.Pha.Curr.I"L1	System Volt U1 mag	TM> Hot Spot estimate
Pri.Pha.Curr.I"L2	System Volt U1 mag (kV)	TM> Hot Spot Max. All
Pri.Pha.Curr.I"L3	System Volt U2 mag	TM> Used k for amb.temp
Pri.Res.Curr.I"01	System Volt U2 mag (kV)	TM> Trip delay remaining
Pri.Res.Curr.I"02	System Volt U3 mag	TM> Alarm 1 time to rel.
Pri.Calc.I"0	System Volt U3 mag (kV)	TM> Alarm 2 time to rel.
Pha.Curr.I"L1 TRMS Pri	System Volt U4 mag	TM> Inhibit time to rel.
Pha.Curr.I"L2 TRMS Pri	System Volt U4 mag (kV)	TM> Trip time to rel.
Pha.Curr.I"L3 TRMS Pri	System Volt UL12 ang	S1 Measurement
I" Pri.Pos.Seq.Curr.	System Volt UL23 ang	S2 Measurement
I" Pri.Neg.Seq.Curr.	System Volt UL31 ang	S3 Measurement
I" Pri.Zero.Seq.Curr.	System Volt UL1 ang	S4 Measurement
Res.Curr.I"01 TRMS Pri	System Volt UL2 ang	S5 Measurement
Res.Curr.I"02 TRMS Pri	System Volt UL3 ang	S6 Measurement

Sec.Pha.Curr.I" L1	System Volt U0 ang	S7 Measurement
Sec.Pha.Curr.I" L2	System Volt U1 ang	S8 Measurement
Sec.Pha.Curr.I" L3	System Volt U2 ang	S9 Measurement
Sec.Res.Curr.I" 01	System Volt U3 ang	S10 Measurement
Sec.Res.Curr.I" 02	System Volt U4 ang	S11 Measurement
Sec.Calc.I" 0	Power measurements	S12 Measurement
Pha.Curr.I" L1 TRMS Sec	L1 Apparent Power (S)	Sys.meas.frqs
Pha.Curr.I" L2 TRMS Sec	L1 Active Power (P)	f atm.
Pha.Curr.I" L3 TRMS Sec	L1 Reactive Power (Q)	f meas from
I" Sec.Pos.Seq.Curr.	L1 Tan(phi)	SS1.meas.frqs
I" Sec.Neg.Seq.Curr.	L1 Cos(phi)	SS1f meas from
I" Sec.Zero.Seq.Curr.	L2 Apparent Power (S)	SS2 meas.frqs
Res.Curr.I" 01 TRMS Sec	L2 Active Power (P)	SS2f meas from
Res.Curr.I" 02 TRMS Sec	L2 Reactive Power (Q)	L1 Bias current
Pha.Curr.I" L1	L2 Tan(phi)	L1 Diff current
Pha.Curr.I" L2	L2 Cos(phi)	L1 Char current
Pha.Curr.I" L3	L3 Apparent Power (S)	L2 Bias current
Res.Curr.I" 01	L3 Active Power (P)	L2 Diff current
Res.Curr.I" 02	L3 Reactive Power (Q)	L2 Char current
Calc.I" 0	L3 Tan(phi)	L3 Bias current
Pha.Curr.I" L1 TRMS	L3 Cos(phi)	L3 Diff current
Pha.Curr.I" L2 TRMS	3PH Apparent Power (S)	L3 Char current
Pha.Curr.I" L3 TRMS	3PH Active Power (P)	HV I0d> Bias current
I" Pos.Seq.Curr.	3PH Reactive Power (Q)	HV I0d> Diff current
I" Neg.Seq.Curr.	3PH Tan(phi)	HV I0d> Char current
I" Zero.Seq.Curr.	3PH Cos(phi)	LV I0d> Bias current
Res.Curr.I" 01 TRMS	Energy measurements	LV I0d> Diff current
Res.Curr.I" 02 TRMS	L1 Exp.Active Energy MWh	LV I0d> Char current
Pha.IL"1 ampl. THD	L1 Exp.Active Energy kWh	Curve1 Input
Pha.IL"2 ampl. THD	L1 Imp.Active Energy MWh	Curve1 Output
Pha.IL"3 ampl. THD	L1 Imp.Active Energy kWh	Curve2 Input
Pha.IL"1 pow. THD	L1 Exp/Imp Act. E balance MWh	Curve2 Output

Pha.IL"2 pow. THD	L1 Exp/Imp Act. E balance kWh	Curve3 Input
Pha.IL"3 pow. THD	L1 Exp.React.Cap.E.Mvarh	Curve3 Output
Res.I"01 ampl. THD	L1 Exp.React.Cap.E.kvarh	Curve4 Input
Res.I"01 pow. THD	L1 Imp.React.Cap.E.Mvarh	Curve4 Output
Res.I"02 ampl. THD	L1 Imp.React.Cap.E.kvarh	Control mode
Res.I"02 pow. THD	L1 Exp/Imp React.Cap.E.bal.Mvarh	Motor status
P-P Curr.I"L1	L1 Exp/Imp React.Cap.E.bal.kvarh	Active setting group
P-P Curr.I"L2	L1 Exp.React.Ind.E.Mvarh	
	L1 Exp.React.Ind.E.kvarh	

4.6.9 Measurement value recorder

The measurement value recorder function records the value of the selected magnitudes at the time of a pre-defined trigger signal. A typical application is the recording of fault currents or voltages at the time of the breaker trips; it can also be used to record the values from any trigger signal set by the user. The user can select whether the function records per-unit values or primary values. Additionally, the user can set the function to record overcurrent fault types or voltage fault types. The function operates instantly from the trigger signal.

The measurement value recorder function has an integrated fault display which shows the current fault values when the tripped by one of the following functions:

- I> (non-directional overcurrent)
- I2> (current unbalance)
- Idir> (directional overcurrent)
- I0> (non-directional earth fault)
- I0dir> (directional earth fault)
- f<(underfrequency)
- f> (overfrequency)
- U< (undervoltage)
- U> (overvoltage)
- U1/U2 >/< (sequence voltage)
- U0> (residual voltage)
- P> (over power)
- P< (under power)
- Prev> (reverse power)
- T> (thermal overload)

Measured input

The function block uses analog current and voltage measurement values. Based on these values, the relay calculates the primary and secondary values of currents, voltages, powers, and impedances as well as other values.

The user can set up to eight (8) magnitudes to be recorded when the function is triggered. An overcurrent fault type, a voltage fault type, and a tripped stage can be recorded and reported straight to SCADA.



NOTICE!

The available measurement values depend on the relay type. If only current analog measurements are available, the recorder can solely use signals which only use current. The same applies, if only voltage analog measurements are available.

Currents	Description
IL1 (ff), IL2 (ff), IL3 (ff), I01 (ff), I02 (ff)	The fundamental frequency current measurement values (RMS) of phase currents and of residual currents.
IL1TRMS, IL2TRMS, IL3TRMS, I01TRMS, I02TRMS	The TRMS current measurement values of phase currents and of residual currents.
IL1,2,3 & I01/I02 2 nd h., 3 rd h., 4 th h., 5 th h., 7 th h., 9 th h., 11 th h., 13 th h., 15 th h., 17 th h., 19 th h.	The magnitudes of phase current components: Fundamental, 2 nd harmonic, 3 rd harmonic, 4 th harmonic, 5 th harmonic 7 th , harmonic 9 th , harmonic 11 th , harmonic 13 th , harmonic 15 th , harmonic 17 th , harmonic 19 th harmonic current.
I1, I2, I0Z	The positive sequence current, the negative sequence current and the zero sequence current.
I0CalcMag	The residual current calculated from phase currents.
IL1Ang, IL2Ang, IL3Ang, I01Ang, I02Ang, I0CalcAng, I1Ang, I2Ang	The angles of each measured current.
Voltages	Description
UL1Mag, UL2Mag, UL3Mag, UL12Mag, UL23Mag, UL31Mag, U0Mag, U0CalcMag	The magnitudes of phase voltages, of phase-to-phase voltages, and of residual voltages.
U1 Pos.seq V mag, U2 Neg.seq V mag	The positive sequence voltage and the negative sequence voltage.
UL1Ang, UL2Ang, UL3Ang, UL12Ang, UL23Ang, UL31Ang, U0Ang, U0CalcAng	The angles of phase voltages, of phase-to-phase voltages, and of residual voltages.
U1 Pos.seq V Ang, U2 Neg.seq V Ang	The positive sequence angle and the negative sequence angle.
Powers	Description
S3PH, P3PH, Q3PH	The three-phase apparent, active and reactive powers.
SL1, SL2, SL3, PL1, PL2, PL3, QL1, QL2, QL3	The phase apparent, active and reactive powers.
tanfi3PH, tanfiL1, tanfiL2, tanfiL3	The tan (φ) of three-phase powers and phase powers.
cosfi3PH, cosfiL1, cosfiL2, cosfiL3	The cos (φ) of three-phase powers and phase powers.
Impedances and admittances	Description

Currents	Description
RL12, RL23, RL31 XL12, XL23, XL31, RL1, RL2, RL3 XL1, XL2, XL3 Z12, Z23, Z31 ZL1, ZL2, ZL3	The phase-to-phase and phase-to-neutral resistances, reactances and impedances.
Z12Ang, Z23Ang, Z31Ang, ZL1Ang, ZL2Ang, ZL3Ang	The phase-to-phase and phase-to-neutral impedance angles.
Rseq, Xseq, Zseq RseqAng, XseqAng, ZseqAng	The positive sequence resistance, reactance and impedance values and angles.
GL1, GL2, GL3, G0 BL1, BL2, BL3, B0 YL1, YL2, YL3, Y0	The conductances, susceptances and admittances.
YL1angle, YL2angle, YL3angle Y0angle	The admittance angles.
Others	Description
System f.	The tracking frequency in use at that moment.
Ref f1	The reference frequency 1.
Ref f2	The reference frequency 2.
M thermal T	The motor thermal temperature.
F thermal T	The feeder thermal temperature.
T thermal T	The transformer thermal temperature.
RTD meas 1...16	The RTD measurement channels 1...16.
Ext RTD meas 1...8	The external RTD measurement channels 1...8 (ADAM module).

Reported values

When triggered, the function holds the recorded values of up to eight channels, as set. In addition to this tripped stage, the overcurrent fault type and the voltage fault types are reported to SCADA.

Table. 4.6.9 - 300. Reported values.

Name	Range	Step	Description
Tripped stage	0: - 1: I> Trip 2: I>> Trip 3: I>>> Trip 4: I>>>> Trip 5: IDir> Trip 6: IDir>> Trip 7: IDir>>> Trip 8: IDir>>>> Trip 9: U> Trip 10: U>> Trip 11: U>>> Trip 12: U>>>> Trip 13: U< Trip 14: U<< Trip 15: U<<< Trip 16: U<<<< Trip 17: IO> TRIP 18: IO>> Trip 19: IO>>> Trip 20: IO>>>> Trip 21: IODir> Trip 22: IODir>> Trip 23: IODir>>> Trip 24: IODir>>>> Trip 25: f> Trip 26: f>> Trip 27: f>>> Trip 28: f>>>> Trip 29: f< Trip 30: f<< Trip 31: f<<< Trip 32: f<<<< Trip 33: P> Trip 34: P< Trip 35: Prev> Trip 36: T> Trip 37: I2> Trip 38: I2>> Trip 39: I2>>> Trip 40: I2>>>> Trip 41: U1/2 > Trip 42: U1/2 >> Trip 43: U1/2 >>> Trip 44: U1/2 >>>> Trip 45: U0> Trip 46: U0>> Trip 47: U0>>> Trip 48: U0>>>> Trip	-	The tripped stage.
Overcurrent fault type	0: - 1: A-G 2: B-G 3: A-B 4: C-G 5: A-C 6: B-C 7: A-B-C	-	The overcurrent fault type.

Name	Range	Step	Description
Voltage fault type	0: - 1: A(AB) 2: B(BC) 3: A-B(AB-BC) 4: C(CA) 5: A-C(AB-CA) 6: B-C(BC-CA) 7: A-B-C 8: - 9: Overfrequency 10: Underfrequency 11: Overpower 12: Underpower 13: Reversepower 14: Thermal overload 15: Unbalance 16: Harmonic overcurrent 17: Residual overvoltage	-	The voltage fault type.
Magnitude 1...8	0.000...1800.000 A/V/ p.u.	0.001 A/V/ p.u.	The recorded value in one of the eight channels.

Events

The measurement value recorder function (abbreviated "VREC" in event block names) generates events from the function triggers. The user can select which event messages are stored in the main event buffer: ON, OFF, or both.

Table. 4.6.9 - 301. Event messages.

Event block name	Event name
VREC1	Recorder triggered ON
VREC1	Recorder triggered OFF

4.6.10 Running hour counter

The running hour counter (abbreviated "RHC" in event block names) is capable of counting the running time of a motor, a generator, or a similar application.

The counter value can be added to the mimic view and read to SCADA.

Table. 4.6.10 - 302. Parameter descriptions

Name	Range	Step	Description
Activate counter input	Any binary input	-	Counter runs whenever input set here is active.
Running hours	hh:mm:ss	-	Indicates running hours counted so far. This value can be edited by the user. The user input must be set in seconds, which is then converted by the device to hours, minutes and seconds (hh:mm:ss).

Name	Range	Step	Description
Start count	0...4294967295 Starts	1 Start	Start counter.
Clear hours	0: - 1: Clear	-	Clears "Running hours" and "Start count".

Table. 4.6.10 - 303. Event messages.

Event block name	Event name
RHC1	Running hour counter ON
RHC1	Running hour counter OFF
RHC1	Running hour counter cleared ON
RHC1	Running hour counter cleared OFF

5 Communication

5.1 Connections menu

"Connections" menu is found under "Communication" menu. It contains all basic settings of ethernet port and RS-485 serial port included with every AQ-200 device as well as settings of communication option cards.

Table. 5.1 - 304. Ethernet settings.

Name	Range	Description
IP address	0.0.0.0...255.255.255.255	Set IP address of the ethernet port in the back of the AQ-200 series device.
Netmask	0.0.0.0...255.255.255.255	Set netmask of the ethernet port in the back of the AQ-200 series device.
Gateway	0.0.0.0...255.255.255.255	Set gateway of the ethernet port in the back of the AQ-200 series device.
MAC-Address	00-00-00-00-00-00...FF-FF-FF-FF-FF-FF	Indication of MAC address of the AQ-200 series device.
Storm Protection	1: Disable 2: Enable	
Double Ethernet card mode	1: Switch 2: HSR 3: PRP	If the device has a double ethernet option card it is possible to choose its mode.
COM A and Ethernet option card connection	1: Block all 2: Allow both directions 3: Allow COM A to option card 4: Allow option card to COM A	If the device has ethernet option card it is possible to determine the allowed direction of data.
Double Ethernet link events	1: Disable 2: Enable	Disables or enables "Double Ethernet Link A down" and "Double Ethernet Link B down" logic signals and events.
Double Ethernet PRP ports	1: AB 2: BA	LanA and LanB port assignment for communication cards that support PRP.

Virtual Ethernet enables the device to be connected to multiple different networks simultaneously via one physical Ethernet connection. Virtual Ethernet has its own separate IP address and network configurations. All Ethernet-based protocol servers listen for client connections on the IP addresses of both the physical Ethernet and the Virtual Ethernet.

Table. 5.1 - 305. Virtual Ethernet settings.

Name	Description
Enable virtual adapter (No / Yes)	Enable virtual adapter. Off by default.
IP address	Set IP address of the virtual adapter.

Name	Description
Netmask	Set netmask of the virtual adapter.
Gateway	Set gateway of the virtual adapter.

AQ-200 series devices are always equipped with an RS-485 serial port. In the software it is identified as "Serial COM1" port.

Table. 5.1 - 306. Serial COM1 settings.

Name	Range	Description
Bitrate	0: 9600bps 1: 19200bps 2: 38400bps	Bitrate used by RS-485 port.
Databits	7...8	Databits used by RS-485 port.
Parity	0: None 1: Even 2: Odd	Paritybits used by RS-485 port.
Stopbits	1...2	Stopbits used by RS-485 port.
Protocol	0: None 1: ModbusRTU 2: ModbusIO 3: IEC103 4: SPA 5: DNP3 6: IEC101	Communication protocol used by RS-485 port.

AQ-200 series supports communication option card type that has serial fiber ports (Serial COM2) an RS-232 port (Serial COM3).

Table. 5.1 - 307. Serial COM2 settings.

Name	Range	Description
Bitrate	0: 9600bps 1: 19200bps 2: 38400bps	Bitrate used by serial fiber channels.
Databits	7...8	Databits used by serial fiber channels.
Parity	0: None 1: Even 2: Odd	Paritybits used by serial fiber channels.
Stopbits	1...2	Stopbits used by serial fiber channels.
Protocol	0: None 1: ModbusRTU 2: ModbusIO 3: IEC103 4: SPA 5: DNP3 6: IEC101	Communication protocol used by serial fiber channels.

Name	Range	Description
Echo	0: Off 1: On	Enable or disable echo.
Idle Light	0: Off 1: On	Idle light behaviour.

Table. 5.1 - 308. Serial COM3 settings.

Name	Range	Description
Bitrate	0: 9600bps 1: 19200bps 2: 38400bps	Bitrate used by RS-232 port.
Databits	7...8	Databits used by RS-232 port.
Parity	0: None 1: Even 2: Odd	Paritybits used by RS-232 port.
Stopbits	1...2	Stopbits used by RS-232 port.
Protocol	0: None 1: ModbusRTU 2: ModbusIO 3: IEC103 4: SPA 5: DNP3 6: IEC101	Communication protocol used by RS-232 port.

5.2 Time synchronization

Time synchronization source can be selected with "Time synchronization" parameter at *Communication* → *Synchronization* → *General*.

Table. 5.2 - 309. General time synchronization source settings.

Name	Range	Description
Time synchronization source	0: Internal 1: External NTP 2: External serial 3: IRIG-B 4: PTP	Selection of time synchronization source.

5.2.1 Internal

If no external time synchronization source is available the mode should be set to "internal". This means that the AQ-200 device clock runs completely on its own. Time can be set to the device with AQtivate setting tool with *Commands* → *Sync Time* command or in the clock view from the HMI. When using *Sync time* command AQtivate sets the time to device the connected computer is currently using. Please note that the clock doesn't run when the device is powered off.

5.2.2 NTP

When enabled, the NTP (Network Time Protocol) service can use external time sources to synchronize the device's system time. The NTP client service uses an Ethernet connection to connect to the NTP time server. NTP can be enabled by setting the primary time server and the secondary time server parameters to the address of the system's NTP time source(s).

Table. 5.2.2 - 310. Server settings.

Name	Range	Description
Primary time server address	0.0.0.0...255.255.255.255	Defines the address of the primary NTP server. Setting this parameter at "0.0.0.0" means that the server is not in use.
Secondary time server address	0.0.0.0...255.255.255.255	Defines the address of the secondary (or backup) NTP server. Setting this parameter at "0.0.0.0" means that the server is not in use.
NTP version	3...4	Defines the NTP version used.

Table. 5.2.2 - 311. Status.

Name	Range	Description
NTP quality for events	0: No sync 1: Synchronized	Displays the status of the NTP time synchronization at the moment. NOTE: This indication is not valid if another time synchronization method is used (external serial).
NTP-processed message count	0...4294967295	Displays the number of messages processed by the NTP protocol.

Additionally, the time zone of the relay can be set by connecting to the relay and the selecting the time zone at *Commands* → *Set time zone* in AQtivate setting tool.

5.2.3 PTP

PTP, Precision Time Protocol, is a higher accuracy synchronization protocol for Ethernet networks. Accuracy of microsecond level can be achieved. Time protocol is compliant with IEEE 1588 version2 and supports the power profiles as specified in IEEE C37.238-2011, 2017 and IEC61850-9-3 (2016) standards.

In a PTP network the devices can have different roles. There is a Grandmaster clock that is the clock source, normally connected to GPS. Most devices take the role of an Ordinary clock which receive synchronization from the Grandmaster clock. In the PTP network there can also be Boundary and Transparent clock roles, these are most often PTP enabled switches that can redistribute time or compensate for their delays.

BMCA, Best Master Clock Algorithm, is an algorithm that PTP devices use to determine the best clock source. This is utilized in network segments where there are 2 Grandmaster clocks or in situations where there are no Grandmaster available. In these situations the devices make a selection which device will act as the clock source. In these cases without GPS synchronized clock source, the accuracy between the devices is still high.

Settings

Select PTP as the time synchronization source from *Communication* → *Synchronization* → *General* menu.

The following settings are available in *Communication* → *Synchronization* → *PTP* menu.

Table. 5.2.3 - 312. PTP time synchronization settings.

Name	Range	Description
Power profile	0: None 1: IEEE C37-238-2011 2: IEC61850-9-3 3: IEEE C37-238-2017	Defines used power profile.
Role	0: Auto (Default) 1: Master 2: Slave	In Auto mode, the device can take both the role of a clock source and clock consumer. In Master mode the device is forced to consider itself to be a clock source. In Slave mode the device is forced to be a clock consumer.
Mechanism	0: P2P (Default) 1: E2E	Delay measurement mechanism used. Peer-to-peer can utilize the PTP enabled switches as transparent or boundary clocks while End-to-end must be used if non-PTP enabled switches are found in the network.
Domain number	0...255	PTP devices can be set to belong to a grouping called domain. Devices in same domain is primarily being synchronized together.

Status indications

The following status indications are available in *Communication* → *Synchronization* → *PTP* menu.

Table. 5.2.3 - 313. PTP status indications

Name	Description
State	State of the PTP application (Master, Slave, Listening).
Best master	Identification of best master in network. Id consist of MAC address plus id number.
Last receive	Time when last synchronization frame was received.
Message sent	Diagnostic message counter.
Message receive	Diagnostic message counter.
PTP timesource	Diagnostic number describing the current time source.

5.3 Communication protocols

5.3.1 IEC 61850

The user can enable the IEC 61850 protocol in device models that support this protocol at *Communication* → *Protocols* → *IEC61850*. AQ-21x frame units support Edition 1 of IEC 61850. AQ-25x frame units support both Edition 1 and 2 of IEC 61850. The following services are supported by IEC 61850 in Arcteq devices:

- Up to six data sets (predefined data sets can be edited with the IEC 61850 tool in AQtivate)
- Report Control Blocks (both buffered and unbuffered reporting)
- Control ('Direct operate with normal security', 'Select before operate with normal security', 'Direct with enhanced security' and 'Select before operate with enhanced security' control sequences)
- Disturbance recording file transfer
- GOOSE
- Time synchronization

The device's current IEC 61850 setup can be viewed and edited with the IEC61850 tool (*Tools* → *Communication* → *IEC 61850*).

Settings

The general setting parameters for the IEC 61850 protocol are visible both in AQtivate and in the local HMI. The settings are described in the table below.

Table. 5.3.1 - 314. General settings.

Name	Range	Step	Default	Description
Enable IEC 61850	0: Disabled 1: Enabled	-	0: Disabled	Enables and disables the IEC 61850 communication protocol.
Reconfigure IEC 61850	0: - 1: Reconfigure	-	0: -	Reconfigures IEC 61850 settings.
IP port	0...65 535	1	102	Defines the IP port used by the IEC 61850 protocol. The standard (and default) port is 102.
IEC61850 edition	0: Ed1 0: Ed2	-	-	Displays the IEC61850 edition used by the device. Edition can be chosen by loading a new CID file at <i>Tools</i> → <i>Communication</i> → <i>IEC 61850</i> with <i>Open</i> button.
Control Authority switch	0: Remote Control 1: Station Level Control	-	0: Remote Control	The device can be set to allow object control via IEC 61850 only from clients that are of category Station level control. This would mean that other Remote control clients would not be allowed to control. In Remote control mode all IEC 61850 clients of both remote and station level category are allowed to control objects.
Ethernet port	0: All 1: COM A 2: Double ethernet card	-	0: All	Determines which ports use IEC61850. Parameter is visible if double ethernet option card is found in the device.
Configure GOOSE Subscriber from CID file allowed	0: Disabled 1: Allowed	-	0: Disabled	In edition 2 of IEC 61850 GOOSE subscriber configuration is a part of the CID file. Determines if it is possible to import published GOOSE settings of another device with a CID file and set them to GOOSE input at <i>Tools</i> → <i>Communication</i> → <i>IEC 61850</i> → <i>GOOSE subscriptions</i> .
General deadband	0.1...10.0 %	0.1 %	2 %	Determines the general data reporting deadband settings.
Active energy deadband	0.1...1000.0 kWh	0.1 kWh	2 kWh	Determines the data reporting deadband settings for this measurement.

Name	Range	Step	Default	Description
Reactive energy deadband	0.1...1000.0 kVar	0.1 kVar	2 kVar	Determines the data reporting deadband settings for this measurement.
Active power deadband	0.1...1000.0 kW	0.1 kW	2 kW	Determines the data reporting deadband settings for this measurement.
Reactive power deadband	0.1...1000.0 kVar	0.1 kVar	2 kVar	Determines the data reporting deadband settings for this measurement.
Apparent power deadband	0.1...1000.0 kVA	0.1 kVA	2 kVA	Determines the data reporting deadband settings for this measurement.
Power factor deadband	0.01...0.99	0.01	0.05	Determines the data reporting deadband settings for this measurement.
Frequency deadband	0.01...1.00 Hz	0.01 Hz	0.1 Hz	Determines the data reporting deadband settings for this measurement.
Current deadband	0.01...50.00 A	0.01 A	5 A	Determines the data reporting deadband settings for this measurement.
Residual current deadband	0.01...50.00 A	0.01 A	0.2 A	Determines the data reporting deadband settings for this measurement.
Voltage deadband	0.01...5000.00 V	0.01 V	200 V	Determines the data reporting deadband settings for this measurement.
Residual voltage deadband	0.01...5000.00 V	0.01 V	200 V	Determines the data reporting deadband settings for this measurement.
Angle measurement deadband	0.1...5.0 deg	0.1 deg	1 deg	Determines the data reporting deadband settings for this measurement.
Integration time	0...10 000 ms	1 ms	0 ms	Determines the integration time of the protocol. If this parameter is set to "0 ms", no integration time is in use.
GOOSE Ethernet port	0: All 1: COM A 2: Double ethernet card	-	0: All	Determines which ports can use GOOSE communication. Visible if double ethernet option card is found in the device.

For more information on the IEC 61850 communication protocol support, please refer to the conformance statement documents (www.arcteq.fi/downloads/ → AQ 200 series → Resources).

5.3.1.1 Logical device mode and logical node mode

Every protection block has its own behavior (LNBeh). This behavior is determined using a combination of the protection block's mode (LNMod) and the device's mode (LDMod).

In IEC61850 mode,

- LNMod can be reported and controlled through Mod data object in all logical nodes.
- LNBeh can be reported through Beh data object in all logical nodes.
- LDMod is only visible through logical node zero's Mod data object (LLN0.Mod).

Mode and behavior values

There are 5 values defined for mode and behavior: On, Blocked, Test, Test / Blocked and Off.

Table. 5.3.1.1 - 315. Behavior descriptions.

LNBeh	On	Blocked	Test	Test / Blocked	Off
Function working	Yes	Yes	Yes	Yes	No
Data quality	Relevant to data	Relevant to data	q.test = True	q.test = True	q.validity = Invalid
Output to process	Yes	No	Yes	No	No
Accept normal control	Yes	Yes	No	No	No
Accept test control	No	No	Yes	Yes	No

The communication services for the **data object Mod** do not care about the status of the LNBeh. Mod will always accept commands with **q.test = False**.

Data objects Mod, Beh and Health will always have **q.validity = Good**. Regardless of the status of LNBeh, the quality test attribute of Mod, Beh and Health shall be **q.test = False**.

Behavior determination

The values for LDMod and LNMod are settable by the user by using HMI, setting tool, or IEC 61850 client. The value for LNBeh are then determined using following rules.

- If either LDMod or LNMod is Off, LNBeh is Off.
- Otherwise,
 - If either LDMod or LNMod is set to either "Test" or "Test / Blocked" mode, LNBeh is in Test mode.
 - If either LDMod or LNMod is set to either "Blocked" or "Test / Blocked" mode, LNBeh is in Blocked mode.
 - If LNBeh still doesn't have anything, LNBeh is "On".

All the possible combinations are laid out in the following table.

Table. 5.3.1.1 - 316. All possible logical device and logical node combinations.

LDMod	LNMod	LNBeh
Off	Off	Off
	Test / Blocked	Off
	Test	Off
	Blocked	Off
	On	Off
Test / Blocked	Off	Off
	Test / Blocked	Test / Blocked
	Test	Test / Blocked
	Blocked	Test / Blocked
	On	Test / Blocked

LMod	LNMod	LNBeh
Test	Off	Off
	Test / Blocked	Test / Blocked
	Test	Test
	Blocked	Test / Blocked
	On	Test
Blocked	Off	Off
	Test / Blocked	Test / Blocked
	Test	Test / Blocked
	Blocked	Blocked
	On	Blocked
On	Off	Off
	Test / Blocked	Test / Blocked
	Test	Test
	Blocked	Blocked
	On	On

Processing of incoming data in different behaviors

This part only applies to incoming data with quality information.

The table below gives the functional processing of the data in different behavior states as defined by the standard. Logical nodes should process receiving data according to their quality information:

- Processed as valid - Reacts according to the quality.
- Processed as invalid - Reacts as if the quality of the data had been invalid.
- Processed as questionable - The application decides how to consider the status value.
- Not processed - Do not belong to communication services, no quality bit can be evaluated.

Table. 5.3.1.1 - 317. Processing of incoming data in different behaviors as defined by the standard.

	On	Blocked	Test	Test / Blocked	Off
q.validity = Good q.test = False	Processed as valid	Processed as valid	Processed as valid	Processed as valid	Not processed
q.validity = Questionable q.test = False	Processed as questionable	Processed as questionable	Processed as questionable	Processed as questionable	Not processed
q.validity = Good q.test = True	Processed as invalid	Processed as invalid	Processed as valid	Processed as valid	Not processed

	On	Blocked	Test	Test / Blocked	Off
q.validity = Questionable q.test = True	Processed as invalid	Processed as invalid	Processed as questionable	Processed as questionable	Not processed
q.validity = Invalid q.test = True/ False	Processed as invalid	Processed as invalid	Processed as invalid	Processed as invalid	Not processed

Arcteq's implementation treats "Processed as questionable" and "Processed as invalid" in the same way with "Not processed". Only "Processed as valid" is passed to the application.

Table. 5.3.1.1 - 318. Arcteq's implementation of processing of incoming data in different behaviors.

	On	Blocked	Test	Test / Blocked	Off
q.validity = Good q.test = False	Processed as valid	Processed as valid	Processed as valid	Processed as valid	
q.validity = Questionable q.test = False					
q.validity = Good q.test = True			Processed as valid	Processed as valid	
q.validity = Questionable q.test = True					
q.validity = Invalid q.test = True/False					

Using mode and behavior

Enabling LDMod and LNMod changing can be done at *General* → *Device info*.

Table. 5.3.1.1 - 319. Parameters to allow changing of LNMod and LDMod.

Name	Range	Default	Description
Allow setting of device mode	0: Prohibited 1: From HMI/ setting tool only 2: Allowed	0: Prohibited	Allows global mode to be modified from setting tool, HMI and IEC61850. Prohibited: Cannot be changed. From HMI/setting tool only: Can only be changed from the setting tool or HMI. Allowed: Can be changed from the setting tool, HMI, and IEC 61850 client.

Name	Range	Default	Description
Allow setting of individual LN mode	0: Prohibited 1: From HMI/ setting tool only 2: Allowed	0: Prohibited	Allow local modes to be modified from setting tool, HMI and IEC61850. This parameter is visible only when "Allow setting of device mode" is enabled. Prohibited: Cannot be changed. From HMI/setting tool only: Can only be changed from the setting tool or HMI Allowed: Can be changed from the setting tool, HMI, and IEC 61850 client.

When enabled it is possible to change LDMod at *Communication* → *Protocols* → *IEC61850*.

Table. 5.3.1.1 - 320. Parameter for changing logical device mode.

Name	Range	Default	Description
Allow setting of device mode	1: On 2: Blocked 3: Test 4: Test/ Blocked 5: Off	0: On	Set mode of logical device. This parameter is visible only when <i>Allow setting of device mode</i> is enabled in <i>General</i> menu.

Each protection, control and monitoring function has its own logical node mode which can be changed individually. This parameter is found in the functions *Info*-menu. Each function also reports its behavior. Behavior of the function is influenced by the status of the device mode setting and the functions mode setting.

Table. 5.3.1.1 - 321. LNMod parameters.

Name	Range	Default	Description
LN mode	1: On 2: Blocked 3: Test 4: Test/ Blocked 5: Off	1: On	Set mode of function logical node. This parameter is visible only when <i>Allow setting of individual LN mode</i> is enabled in <i>General</i> menu.
LN behavior	1: On 2: Blocked 3: Test 4: Test/ Blocked 5: Off	1: On	Displays the mode of the function logical node. This parameter is visible only when <i>Allow setting of individual LN mode</i> is enabled in <i>General</i> menu.

5.3.1.2 GOOSE

Arcteq relays support both GOOSE publisher and GOOSE subscriber. GOOSE subscriber is enabled with the "GOOSE subscriber enable" parameter at *Communication* → *Protocols* → *IEC 61850/GOOSE*. The GOOSE inputs are configured using either the local HMI or the AQtivate software.

There are up to 64 GOOSE inputs available for use. Each of the GOOSE inputs also has a corresponding input quality signal which can also be used in internal logic. The quality is good, when the input quality status is "low" (that is, when the quality is marked as "0"). The value of the input quality can switch on as a result of a GOOSE time-out or a configuration error, for example. The status and quality of the various logical input signals can be viewed at the *GOOSE IN status* and *GOOSE IN quality* tabs at *Control* → *Device I/O* → *Logical signals*.

General GOOSE setting

The table below presents general settings for GOOSE publisher.

Table. 5.3.1.2 - 322. General GOOSE publisher settings.

Name	Range	Description
GOOSE control block 1 simulation bit	0: Disabled (Default) 1: Enabled	The publisher will publish frames with simulation bit active if enabled. For GOOSE simulation testing purposes.
GOOSE control block 2 simulation bit		

The table below presents general settings for GOOSE subscriber

Table. 5.3.1.2 - 323. General GOOSE subscriber settings.

Name	Range	Description
GOOSE subscriber enable	0: Disabled (Default) 1: Enabled	Enables or disables GOOSE subscribing for the device.
Not used GOOSE input Quality	1: Bad quality (1) 2: Good quality (0)	Defines what state should GOOSE input quality signal to be in the logic if the input has been set as "disabled".
Subscriber checks GoCBRef	0: No (Default) 1: Yes	When subscriber sees GOOSE frame it checks APPID and Conf. Rev but can also check if GoCBRef or SqNum match.
Subscriber checks SqNum		
Subscriber process simulation messages	0: No (Default) 1: Yes	Subscriber can be set to process frames which are published with simulation bit high if enabled. The subscriber can still subscribe to non-simulated frames from a publisher until that a simulated frame is received from a publisher. From that point on, only simulated frames are accepted from that publisher. For other publishers, non-simulated frames are accepted normally (given no simulated frame is received from that publisher). This behavior ends when the setting is set back to No.

GOOSE input settings

The table below presents the different settings available for all 64 GOOSE inputs.

These settings can be found from *Communication* → *Protocols* → *IEC61850/GOOSE* → *GOOSE Input Settings*.

Table. 5.3.1.2 - 324. GOOSE input settings.

Name	Range	Description
In use	0: No (Default) 1: Yes	Enables and disables the GOOSE input in question.
Application ID ("AppID")	0x0...0x3FFF	Defines the application ID that will be matched with the publisher's GOOSE control block.
Configuration revision ("ConfRev")	1...2 ³² -1	Defines the configuration revision that will be matched with the publisher's GOOSE control block.
Data index ("DataIdx")	0...99	Defines the data index of the value in the matched published frame. It is the status of the GOOSE input.
NextIdx is quality	0: No (Default) 1: Yes	Selects whether or not the next received input is the quality bit of the GOOSE input.
Data type	0: Boolean (Default) 1: Integer 2: Unsigned 3: Floating point	Selects the data type of the GOOSE input.
Control block reference	-	GOOSE subscriber can be set to check the GCB reference of the published GOOSE frame. This setting is automatically filled when Ed2 GOOSE configuration is done by importing cid file of the publisher.

GOOSE input descriptions

Each of the GOOSE inputs can be given a description. The user defined description are displayed in most of the menus:

- logic editor
- matrix
- block settings
- event history
- disturbance recordings
- etc.

These settings can be found from *Control* → *Device IO* → *Logical Signals* → *GOOSE IN Description*.

Table. 5.3.1.2 - 325. GOOSE input user description.

Name	Range	Default	Description
User editable description GI x	1...31 characters	GOOSE IN x	Description of the GOOSE input. This description is used in several menu types for easier identification.

GOOSE input values

Each of the GOOSE subscriber inputs (1...64) have indications listed in the following table. These indications can be found from *Communication* → *Protocols* → *IEC61850/GOOSE* → *GOOSE input values*.

Table. 5.3.1.2 - 326. GOOSE input indications

Name	Range	Description
Subscription status	0: Not Active 1: Active	When active correct data received and passed to application.
Processing simulation message	0: False 1: True	When true subscriber is processing simulation frames for this input (and rejecting non-simulated frames).
Needs commissioning	0: False 1: True	When true configuration doesn't match the received frame (goCBRef, confRev).
Last received state number	0...4294967295	Status number (stNum) of the last data passed to application.
GOOSE IN X boolean value	0...1	GOOSE input 1...64 boolean value.
GOOSE IN X analog value	-3.4E+38...3.4E+38	GOOSE input 1...64 analog value.
GOOSE IN X quality	0: Old data 1: Failure 2: Oscillatory 3: Bad reference 4: Out of range 5: Overflow 6: Invalid 7: Reserved/ Questionable 8: Reserved 9: Reserved 10: Reserved 11: Operator blocked 12: Test 13: Substituted 14: Inaccurate 15: Inconsistent	GOOSE input quality indication.
GOOSE IN X time	DD/MM/YYYY HH:MM:SS	Time when publisher sent GOOSE frame.
GOOSE IN X time fraction	0...4294967295 μs	Microseconds of the publisher GOOSE frame.

GOOSE events

GOOSE signals generate events from status changes. The user can select which event messages are stored in the main event buffer: ON, OFF, or both. The events triggered by the function are recorded with a time stamp and with process data values. The time stamp resolution is 1 ms.

Table. 5.3.1.2 - 327. GOOSE event

Event block name	Event name	Description
GOOSE1...GOOSE2	GOOSE IN 1...64 ON/OFF	Status change of GOOSE input.
GOOSE3...GOOSE4	GOOSE IN 1...64 quality Bad/Good	Status change of GOOSE inputs quality.
GOOSE5...GOOSE6	GOOSE Subscription status 1...64 Active/Not active	When active correct data received and passed to application.
GOOSE7...GOOSE8	GOOSE Processing simulated messages 1...64 True/False	When true subscriber is processing simulation frames for this input (and rejecting non-simulated frames).
GOOSE9...GOOSE10	GOOSE Subscription needs commissioning 1...64 True/False	When true configuration doesn't match the received frame (goCBRef, confRev).

Setting the publisher

The configuration of the GOOSE publisher is done using the IEC 61850 tool in AQtivate (*Tools* → *Communication* → *IEC 61850*). Refer to *AQtivate-200 Instruction manual* for more information on how to set up GOOSE publisher.

5.3.2 Modbus/TCP and Modbus/RTU

The device supports both Modbus/TCP and Modbus/RTU communication. Modbus/TCP uses the Ethernet connection to communicate with Modbus/TCP clients. Modbus/RTU is a serial protocol that can be selected for the available serial ports.

The following Modbus function types are supported:

- Read multiple holding registers (function code 3)
- Write single holding register (function code 6)
- Write multiple holding registers (function code 16)
- Read/Write multiple registers (function code 23)

The following data can be accessed using both Modbus/TCP and Modbus/RTU:

- Device measurements
- Device I/O
- Commands
- Events
- Time

Once the configuration file has been loaded, the user can access the Modbus map of the relay via the AQtivate software (*Tools* → *Communication* → *Modbus Map*). Please note that holding registers start from 1. Some masters might begin numbering holding register from 0 instead of 1; this will cause an offset of 1 between the relay and the master. Modbus map can be edited with Modbus Configurator (*Tools* → *Communication* → *Modbus Configurator*).

Table. 5.3.2 - 328. Modbus/TCP settings.

Parameter	Range	Description
Enable Modbus/TCP	0: Disabled 1: Enabled	Enables and disables the Modbus/TCP on the Ethernet port.
IP port	0...65 535	Defines the IP port used by Modbus/TCP. The standard port (and the default setting) is 502.
Ethernet port	0: All 1: COM A 2: Double Ethernet card	Defines which ethernet ports are available for Modbus connection. Visible if any double ethernet option card is installed in the device.
Event read mode	0: Get oldest available 1: Continue previous connection 2: New events only	0: Get oldest event possible (Default) 1: Continue with the event idx from previous connection 2: Get only new events from connection time and forward.

Table. 5.3.2 - 329. Modbus/RTU settings.

Parameter	Range	Description
Slave address	1...247	Defines the Modbus/RTU slave address for the unit.

Reading events

Modbus protocol does not support time-stamped events by standard definition. This means that every vendor must come up with their own definition how to transfer events from the device to the client. In AQ-200 series devices events can be read from HR17...HR22 holding registers. HR17 contains the event-code, HR18...20 contains the time-stamp in UTC, HR21 contains a sequential index and HR22 is reserved for future expansion. See the Modbus Map for more information. The event-codes and their meaning can be found from Event list (*Tools* → *Events and Logs* → *Event list* in setting tool). The event-code in HR17 is 0 if no new events can be found in the device event-buffer. Every time HR17 is read from client the event in event-buffer is consumed and on following read operation the next un-read event information can be found from event registers. HR11...HR16 registers contains a back-up of last read event. This is because some users want to double-check that no events were lost

5.3.3 IEC 103

IEC 103 is the shortened form of the international standard IEC 60870-5-103. The AQ-200 series units are able to run as a secondary (slave) station. The IEC 103 protocol can be selected for the serial ports that are available in the device. A primary (master) station can then communicate with the AQ-200 device and receive information by polling from the slave device. The transfer of disturbance recordings is not supported.

NOTE: Once the configuration file has been loaded, the IEC 103 map of the relay can be found in the AQtivate software (*Tools* → *IEC 103 map*).

The following table presents the setting parameters for the IEC 103 protocol.

Name	Range	Step	Default	Description
Slave address	1...254	1	1	Defines the IEC 103 slave address for the unit.
Measurement interval	0...60 000 ms	1 ms	2000 ms	Defines the interval for the measurements update.

5.3.4 IEC 101/104

The standards IEC 60870-5-101 and IEC 60870-5-104 are closely related. Both are derived from the IEC 60870-5 standard. On the physical layer the IEC 101 protocol uses serial communication whereas the IEC 104 protocol uses Ethernet communication. The IEC 101/104 implementation works as a slave in the unbalanced mode.

For detailed information please refer to the IEC 101/104 interoperability document (www.arcteq.fi/downloads/ → AQ-200 series → Resources → "AQ-200 IEC101 & IEC104 interoperability").

IEC 101 settings

Table. 5.3.4 - 330. IEC 101 settings.

Name	Range	Step	Default	Description
Common address of ASDU	0...65 534	1	1	Defines the common address of the application service data unit (ASDU) for the IEC 101 communication protocol.
Common address of ASDU size	1...2	1	2	Defines the size of the common address of ASDU.
Link layer address	0...65 534	1	1	Defines the address for the link layer.
Link layer address size	1...2	1	2	Defines the address size of the link layer.
Information object address size	2...3	1	3	Defines the address size of the information object.
Cause of transmission size	1...2	1	2	Defines the cause of transmission size.

IEC 104 settings

Table. 5.3.4 - 331. IEC 104 settings.

Name	Range	Step	Default	Description
IEC 104 enable	0: Disabled 1: Enabled	-	0: Disabled	Enables and disables the IEC 104 communication protocol.
IP port	0...65 535	1	2404	Defines the IP port used by the protocol.

Name	Range	Step	Default	Description
Ethernet port	0: All 1: COM A 2: Double Ethernet card	-	0: All	Defines which ethernet ports are available for Modbus connection. Visible if any double ethernet option card is installed in the device.
Common address of ASDU	0...65 534	1	1	Defines the common address of the application service data unit (ASDU) for the IEC 104 communication protocol.
APDU timeout (t1)	0...3600 s	1 s	0 s	The maximum amount of time the slave waits for a transmitted Application Protocol Data Unit (APDU) to be confirmed as received by the master.
Idle timeout (t3)	0...3600 s	1 s	0 s	The slave outstation can use a test fram to determine if the channel is still available after a prolonged period of communications inactivity. Test frame is sent at an interval specified here.

Measurement scaling coefficients

The measurement scaling coefficients are available for the following measurements, in addition to the general measurement scaling coefficient:

Table. 5.3.4 - 332. Measurements with scaling coefficient settings.

Name	Range
Active energy	0: No scaling 1: 1/10 2: 1/100 3: 1/1000 4: 1/10 000 5: 1/100 000 6: 1/1 000 000 7: 10 8: 100 9: 1000 10: 10 000 11: 100 000 12: 1 000 000
Reactive energy	
Active power	
Reactive power	
Apparent power	
Power factor	
Frequency	
Current	
Residual current	
Voltage	
Residual voltage	
Angle	

Deadband settings.

Table. 5.3.4 - 333. Analog change deadband settings.

Name	Range	Step	Default	Description
General deadband	0.1...10.0%	0.1%	2%	Determines the general data reporting deadband settings.
Active energy deadband	0.1...1000.0kWh	0.1kWh	2kWh	Determines the data reporting deadband settings for this measurement.
Reactive energy deadband	0.1...1000.0kVar	0.1kVar	2kVar	
Active power deadband	0.1...1000.0kW	0.1kW	2kW	
Reactive power deadband	0.1...1000.0kVar	0.1kVar	2kVar	
Apparent power deadband	0.1...1000.0kVA	0.1kVA	2kVA	
Power factor deadband	0.01...0.99	0.01	0.05	
Frequency deadband	0.01...1.00Hz	0.01Hz	0.1Hz	
Current deadband	0.01...50.00A	0.01A	5A	
Residual current deadband	0.01...50.00A	0.01A	0.2A	
Voltage deadband	0.01...5000.00V	0.01V	200V	
Residual voltage deadband	0.01...5000.00V	0.01V	200V	
Angle measurement deadband	0.1...5.0deg	0.1deg	1deg	
Integration time	0...10 000ms	1ms	-	Determines the integration time of the protocol. If this parameter is set to "0 ms", no integration time is in use.

5.3.5 SPA

The device can act as a SPA slave. SPA can be selected as the communication protocol for the RS-485 port (Serial COM1). When the device has a serial option card, the SPA protocol can also be selected as the communication protocol for the serial fiber (Serial COM2) ports or RS-232 (Serial COM3) port. Please refer to the chapter "[Construction and installation](#)" in the device manual to see the connections for these modules.

The data transfer rate of SPA is 9600 bps, but it can also be set to 19 200 bps or 38 400 bps. As a slave the device sends data on demand or by sequenced polling. The available data can be measurements, circuit breaker states, function starts, function trips, etc. The full SPA signal map can be found in AQtivate (*Tools* → *SPA map*).

The SPA event addresses can be found at *Tools* → *Events and logs* → *Event list*.

Table. 5.3.5 - 334. SPA setting parameters.

Name	Range	Description
SPA address	1...899	SPA slave address.
UTC time sync	0: Disabled 1: Enabled	Determines if UTC time is used when synchronizing time. When disabled it is assumed time synchronization uses local time. If enabled it is assumed that UTC time is used. When UTC time is used the timezone must be set at <i>Commands</i> → <i>Set time zone</i> .



NOTICE!

To access SPA map and event list, an .aqc configuration file should be downloaded from the relay.

5.3.6 DNP3

DNP3 is a protocol standard which is controlled by the DNP Users Group (www.dnp.org). The implementation of a DNP3 slave is compliant with the DNP3 subset (level) 2, but it also contains some functionalities of the higher levels. For detailed information please refer to the DNP3 Device Profile document (www.arcteq.fi/downloads/ → AQ-200 series → Resources).

Settings

The following table describes the DNP3 setting parameters.

Table. 5.3.6 - 335. Settings.

Name	Range	Step	Default	Description
Enable DNP3 TCP	0: Disabled 1: Enabled	-	0: Disabled	Enables and disables the DNP3 TCP communication protocol when the Ethernet port is used for DNP3. If a serial port is used, the DNP3 protocol can be enabled from <i>Communication</i> → <i>DNP3</i> .
IP port	0...65 535	1	20 000	Defines the IP port used by the protocol.
Ethernet port	0: All 1: COM A 2: Double Ethernet card	-	0: All	Defines which ethernet ports are available for Modbus connection. Visible if any double ethernet option card is installed in the device.
Slave address	1...65 519	1	1	Defines the DNP3 slave address of the unit.
Master address	1...65 534	1	2	Defines the address for the allowed master.
Link layer time-out	0...60 000ms	1ms	0ms	Defines the length of the time-out for the link layer.
Link layer retries	1...20	1	1	Defines the number of retries for the link layer.

Name	Range	Step	Default	Description
Diagnostic - Error counter	0...2 ³² -1	1	-	Counts the total number of errors in received and sent messages.
Diagnostic - Transmitted messages	0...2 ³² -1	1	-	Counts the total number of transmitted messages.
Diagnostic - Received messages	0...2 ³² -1	1	-	Counts the total number of received messages.

Default variations

Table. 5.3.6 - 336. Default variations.

Name	Range	Default	Description
Group 1 variation (BI)	0: Var 1 1: Var 2	0: Var 1	Selects the variation of the binary signal.
Group 2 variation (BI change)	0: Var 1 1: Var 2	1: Var 2	Selects the variation of the binary signal change.
Group 3 variation (DBI)	0: Var 1 1: Var 2	0: Var 1	Selects the variation of the double point signal.
Group 4 variation (DBI change)	0: Var 1 1: Var 2	1: Var 2	Selects the variation of the double point signal.
Group 20 variation (CNTR)	0: Var 1 1: Var 2 2: Var 5 3: Var 6	0: Var 1	Selects the variation of the control signal.
Group 22 variation (CNTR change)	0: Var 1 1: Var 2 2: Var 5 3: Var 6	2: Var 5	Selects the variation of the control signal change.
Group 30 variation (AI)	0: Var 1 1: Var 2 2: Var 3 3: Var 4 4: Var 5	4: Var 5	Selects the variation of the analog signal.
Group 32 variation (AI change)	0: Var 1 1: Var 2 2: Var 3 3: Var 4 4: Var 5 5: Var 7	4: Var 5	Selects the variation of the analog signal change.

Setting the analog change deadbands

Table. 5.3.6 - 337. Analog change deadband settings.

Name	Range	Step	Default	Description
General deadband	0.1...10.0%	0.1%	2%	Determines the general data reporting deadband settings.
Active energy deadband	0.1...1000.0kWh	0.1kWh	2kWh	Determines the data reporting deadband settings for this measurement.
Reactive energy deadband	0.1...1000.0kVar	0.1kVar	2kVar	
Active power deadband	0.1...1000.0kW	0.1kW	2kW	
Reactive power deadband	0.1...1000.0kVar	0.1kVar	2kVar	
Apparent power deadband	0.1...1000.0kVA	0.1kVA	2kVA	
Power factor deadband	0.01...0.99	0.01	0.05	
Frequency deadband	0.01...1.00Hz	0.01Hz	0.1Hz	
Current deadband	0.01...50.00A	0.01A	5A	
Residual current deadband	0.01...50.00A	0.01A	0.2A	
Voltage deadband	0.01...5000.00V	0.01V	200V	
Residual voltage deadband	0.01...5000.00V	0.01V	200V	
Angle measurement deadband	0.1...5.0deg	0.1deg	1deg	
Integration time	0...10 000ms	1ms	0ms	Determines the integration time of the protocol. If this parameter is set to "0 ms", no integration time is in use.

5.3.7 Modbus I/O

The Modbus I/O protocol can be selected to communicate on the available serial ports. The Modbus I/O is actually a Modbus/RTU master implementation that is dedicated to communicating with serial Modbus/RTU slaves such as RTD input modules. Up to three (3) Modbus/RTU slaves can be connected to the same bus polled by the Modbus I/O implementation. These are named I/O Module A, I/O Module B and I/O Module C. Each of the modules can be configured using parameters in the following two tables.

Table. 5.3.7 - 338. Module settings.

Name	Range	Description
I/O module X address	0...247	Defines the Modbus unit address for the selected I/O Module (A, B, or C). If this setting is set to "0", the selected module is not in use.

Name	Range	Description
Module x type	0: ADAM-4018+ 1: ADAM-4015	Selects the module type.
Channels in use	Channel 0...Channel 7 (or None)	Selects the number of channels to be used by the module.

Table. 5.3.7 - 339. Channel settings.

Name	Range	Step	Default	Description
Thermocouple type	0: +/- 20mA 1: 4...20mA 2: Type J 3: Type K 4: Type T 5: Type E 6: Type R 7: Type S	-	1: 4...20mA	Selects the thermocouple or the mA input connected to the I/O module. Types J, K, T and E are nickel-alloy thermocouples, while Types R and S are platinum/rhodium-alloy thermocouples.
Input value	-101.0...2 000.0	0.1	-	Displays the input value of the selected channel.
Input status	0: Invalid 1: OK	-	-	Displays the input status of the selected channel.

5.4 Analog fault registers

At *Communication* → *General I/O* → *Analog fault registers* the user can set up to twelve (12) channels to record the measured value when a protection function starts or trips. These values can be read in two ways: locally from this same menu, or through a communication protocol if one is in use.

The following table presents the setting parameters available for the 12 channels.

Table. 5.4 - 340. Fault register settings.

Name	Range	Step	Default	Description
Select record source	Not in use I>, I>>, I>>>, I>>>> (IL1, IL2, IL3) Id>, Id>>, Id>>>, Id>>>> (IL1, IL2, IL3) IO>, IO>>, IO>>>, IO>>>> (IO) IOd>, IOd>>, IOd>>>, IOd>>>> (IO) FLX (Fault locator)	-	Not in use	Selects the protection function and its stage to be used as the source for the fault register recording. The user can choose between non-directional overcurrent, directional overcurrent, non-directional earth fault, directional earth fault, and fault locator functions.
Select record trigger	TRIP signal START signal START and TRIP signals	-	0: TRIP signal	Selects what triggers the fault register recording: the selected function's TRIP signal, its START signal, or either one.
Recorded fault value	- 1000 000.00...1 000 000.00	0.01	-	Displays the recorded measurement value at the time of the selected fault register trigger.

5.5 Real-time measurements to communication

With the *Real-time signals to communication* menu the user can report measurements to SCADA in a faster interval. The real measurement update delay depends on the used communication protocol and equipment used. Up to ten (10) magnitudes can be selected. The recorded value can be either a per-unit value or a primary value (set by the user).

Measurable values

Function block uses analog current and voltage measurement values. The relay uses these values as the basis when it calculates the primary and secondary values of currents, voltages, powers, impedances and other values.

Table. 5.5 - 341. Available measured values.

Signals	Description
Currents	
IL1 (ff), IL2 (ff), IL3 (ff), I01 (ff), I02 (ff)	Fundamental frequency (RMS) current measurement values of phase currents and residual currents.
IL1 (TRMS), IL2 (TRMS), IL3 (TRMS), I01 (TRMS), I02 (TRMS)	TRMS current measurement values of phase currents and residual currents.
IL1, IL2, IL3, I01, I02 & 2 nd h., 3 rd h., 4 th h., 5 th h., 7 th h., 9 th h., 11 th h., 13 th h., 15 th h., 17 th h., 19 th h.	Magnitudes of the phase current components: 2 nd harmonic, 3 rd harmonic, 4 th harmonic, 5 th harmonic 7 th , harmonic 9 th , harmonic 11 th , harmonic 13 th , harmonic 15 th , harmonic 17 th , harmonic 19 th harmonic current.
I1, I2, I0Z	Positive sequence current, negative sequence current and zero sequence current.
I0CalcMag	Residual current calculated from phase currents.
IL1Ang, IL2Ang, IL3Ang, I01Ang, I02Ang, I0CalcAng I1Ang, I2Ang	Angles of each measured current.
Voltages	
UL1Mag, UL2Mag, UL3Mag, UL12Mag, UL23Mag, UL31Mag, U0Mag, U0CalcMag	Magnitudes of phase voltages, phase-to-phase voltages and residual voltages.
U1 Pos.seq V mag, U2 Neg.seq V mag	Positive and negative sequence voltages.
UL1Ang, UL2Ang, UL3Ang, UL12Ang, UL23Ang, UL31Ang, U0Ang, U0CalcAng	Angles of phase voltages, phase-to-phase voltages and residual voltages.
U1 Pos.seq V Ang, U2 Neg.seq V Ang	Positive and negative sequence angles.
Powers	
S3PH P3PH Q3PH	Three-phase apparent, active and reactive power.

Signals	Description
SL1, SL2, SL3, PL1, PL2, PL3, QL1, QL2, QL3	Phase apparent, active and reactive powers.
tanfi3PH tanfiL1 tanfiL2 tanfiL3	Tan (φ) of three-phase powers and phase powers.
cosfi3PH cosfiL1 cosfiL2 cosfiL3	Cos (φ) of three-phase powers and phase powers.
Impedances and admittances	
RL12, RL23, RL31 XL12, XL23, XL31 RL1, RL2, RL3 XL1, XL2, XL3 Z12, Z23, Z31 ZL1, ZL2, ZL3	Phase-to-phase and phase-to-neutral resistances, reactances and impedances.
Z12Ang, Z23Ang, Z31Ang, ZL1Ang, ZL2Ang, ZL3Ang	Phase-to-phase and phase-to-neutral impedance angles.
Rseq, Xseq, Zseq RseqAng, XseqAng, ZseqAng	Positive sequence resistance, reactance and impedance values and angles.
GL1, GL2, GL3, G0 BL1, BL2, BL3, B0 YL1, YL2, YL3, Y0	Conductances, susceptances and admittances.
YL1angle, YL2angle, YL3angle, Y0angle	Admittance angles.
Others	
System f.	Used tracking frequency at the moment.
Ref f1	Reference frequency 1.
Ref f2	Reference frequency 2.
M thermal T	Motor thermal temperature.
F thermal T	Feeder thermal temperature.
T thermal T	Transformer thermal temperature.
RTD meas 1...16	RTD measurement channels 1...16.
Ext RTD meas 1...8	External RTD measurement channels 1...8 (ADAM module).

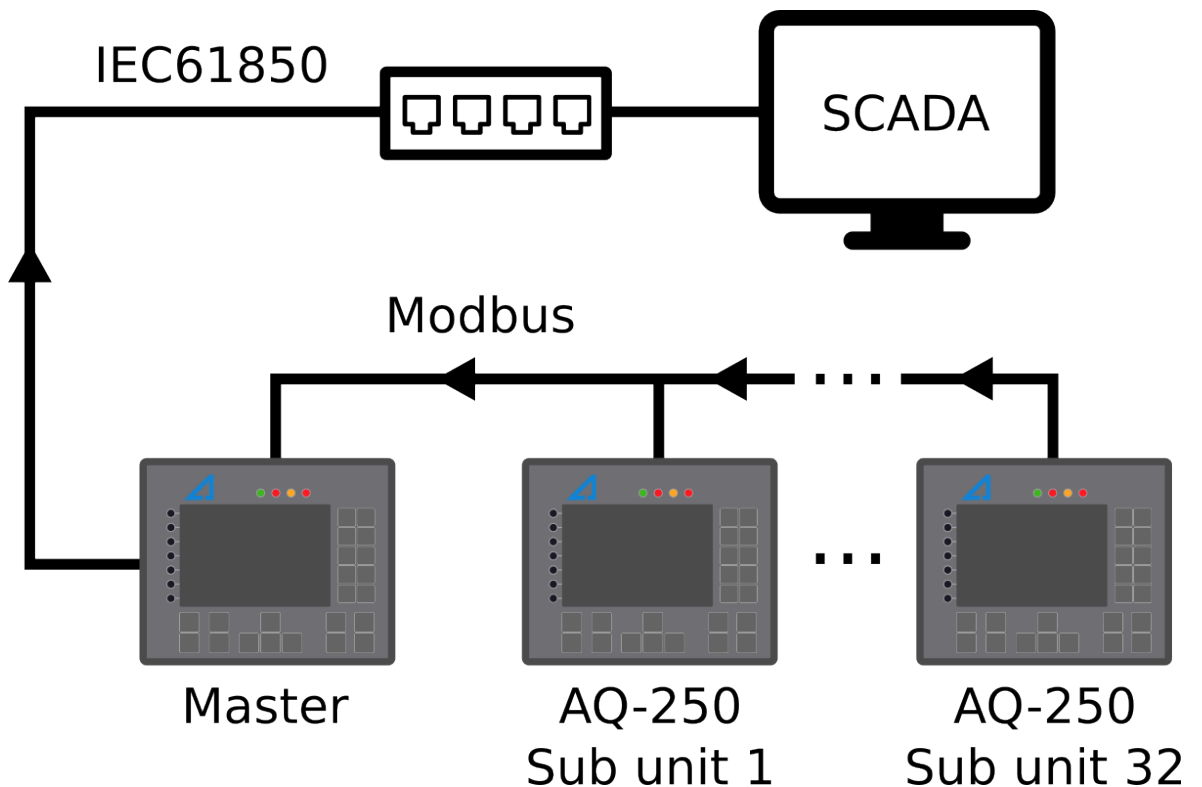
Settings

Table. 5.5 - 342. Settings.

Name	Range	Step	Default	Description
Measurement value recorder mode	0: Disabled 1: Activated	-	0: Disabled	Activates and disables the real-time signals to communication.
Scale current values to primary	0: No 1: Yes	-	0: No	Selects whether or not values are scaled to primary.
Slot X magnitude selection	0: Currents 1: Voltages 2: Powers 3: Impedance (ZRX) and admittance (YGB) 4: Others	-	0: Currents	Selects the measured magnitude category of the chosen slot.
Slot X magnitude	Described in table above ("Available measured values")	-	-	Selects the magnitude in the previously selected category.
Magnitude X	-10 000 000.000...10 000 000.000	0.001	-	Displays the measured value of the selected magnitude of the selected slot. The unit depends on the selected magnitude (either amperes, volts, or per-unit values).

5.6 Modbus Gateway

Figure. 5.6 - 182. Example setup of Modbus Gateway application.



Any AQ-250 device can be setup as a Modbus Gateway (i.e. master). Modbus Gateway device can import messages (measurements, status signals etc.) from external Arcteq and third-party devices. RS-485 serial communication port. Up to 32 sub units can be connected to an AQ-200 master unit. These messages can then be used for controlling logic in the master device, display the status in user created mimic. Binary signals can be reported forward to SCADA with IEC61850, IEC101, IEC103, IEC104, Modbus, DNP3 or SPA.

Arc protection relays AQ-103 and AQ-103 LV Modbus variant is designed to work as a sub unit with Modbus Gateway master. More details about AQ-103 and AQ-103 LV capabilities and how to set them up can be found in *AQ-103 Instruction manual* (arcteq.fi/downloads/). Also see application example at the end of this chapter.

Modbus Gateway and its basic settings can be found from *Communication* → *Modbus Gateway*. General settings-menu displays the health of connection to each sub unit.

Table. 5.6 - 343. General settings

Name	Range	Description
Modbus Gateway mode	0: Disabled (Default) 1: Enabled	Enables or disables Modbus Gateway.
Modbus Gateway reconfigure	0: - 1: Reconfigure	Setting this parameter to "Reconfigure" takes new settings into use. Parameter returns back to "-" automatically.
Quality of Modbus Sub unit 1...32	0: OK 1: Old data 2: Data questionable 3: Modbus error 4: Send fail 5: Receive fail	Quality of each connected sub unit.

Imported signals

Modbus Gateway supports importing of measurements, bits, double bits, counters and integer signals. Up to 128 signals can be imported of each signal type with the exception of double bits (32).

Table. 5.6 - 344. Imported signals

Name	Range
Imported measurement 1-128	-3.4E+38...3.4E+38
Imported bit signal 1-128	0...1
Imported double bit data 1-32	0...3
Imported counter data 1-128	0...4294967295
Imported integer signal 1-128	-2147483648...2147483647

To assign the signals use Modbus Gateway editor (*Tools* → *Communication* → *Modbus Gateway*). Detailed description of this tool can be found in *AQtivate 200 Instruction manual* (arcteq.fi/downloads/).

All imported signals can be given a description. The description will be displayed in most of menus with the signal (logic editor, matrix, block settings etc.).

Table. 5.6 - 345. Imported signal user description.

Name	Range	Default	Description
Describe measurement x	1...31 characters	Acq. Meas x	User settable description for the signal. This description is used in several menu types for easier identification.
Describe bit signal x		Acq. Bit x	
Describe double bit signal x		Acq. Binary x	
Describe counter signal x		Acq. Counter x	
Describe integer signal x		Acq. Integer x	

Events

The Modbus Gateway generates events the status changes in imported bits and double bits. The user can select which event messages are stored in the main event buffer: ON, OFF, or both.

Table. 5.6 - 346. Event messages

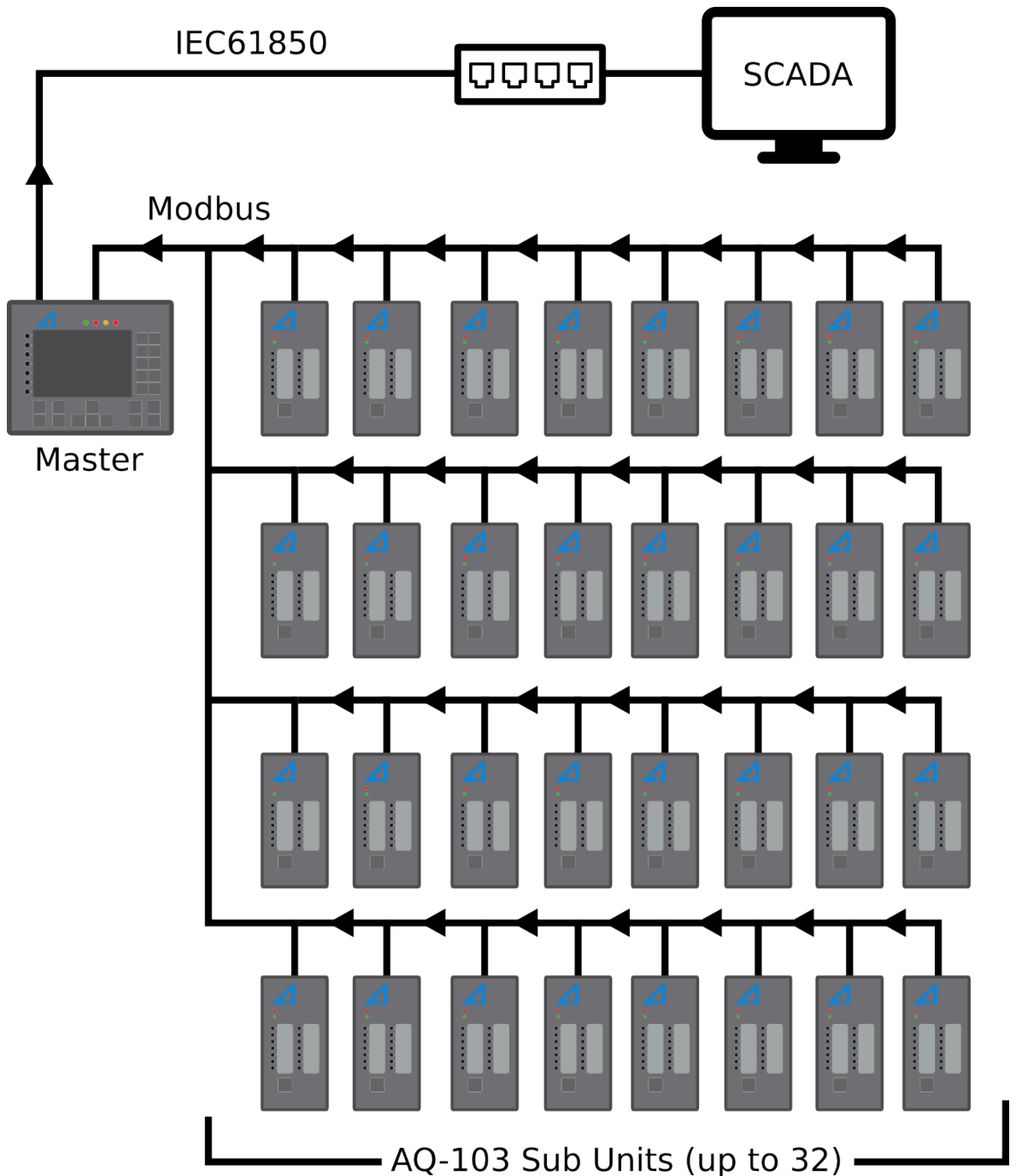
Event block name	Event names
MGWB1	Bit 1...Bit 32 (ON, OFF)
MGWB2	Bit 33...Bit 64 (ON, OFF)
MGWB3	Bit 65...Bit 96 (ON, OFF)
MGWB4	Bit 97...Bit 128 (ON, OFF)
MGWD1	Double Bit 1... Double bit 16 (ON/ON, OFF/OFF, ON/OFF, OFF/ON)
MGWD2	Double Bit 17... Double bit 32 (ON/ON, OFF/OFF, ON/OFF, OFF/ON)

Connect AQ-103 devices to Modbus Gateway device

AQ-103 is a sophisticated microprocessor-based arc flash protection unit for arc light detection. AQ-103 acts as a sub-unit to AQ-110P (or, AQ-110F) in an AQ-100 arc protection system. It can also function as a stand-alone unit in light-only systems. AQ-103 provides communication through RS-485 and Modbus protocol as ordering options. Through the Modbus communication AQ-103 connects to an AQ-250 device for indication of exact fault location and to a SCADA system either through a AQ-250 device or RTU.

AQ-103 Modbus variant is able to report various signals like number of installed sensors, sensor activations, I/O activations etc. Holding registers of each signal can be found in the AQ-103 instruction manual.

Figure. 5.6 - 183. AQ-250 device can receive signals through modbus and use them to control logic of the device, create mimics and report the values to IEC 61850.



The signals received from AQ-103 device can be used for fault indications on AQ-200 device and for reporting the signals forward with IEC 61850 or other communication protocol. Fault indication can be done by setting up an alarm display for each incoming signal or by building a mimic.

Figure. 5.6 - 184. To report imported bit signals to SCADA the signals must be connected to a logical output.

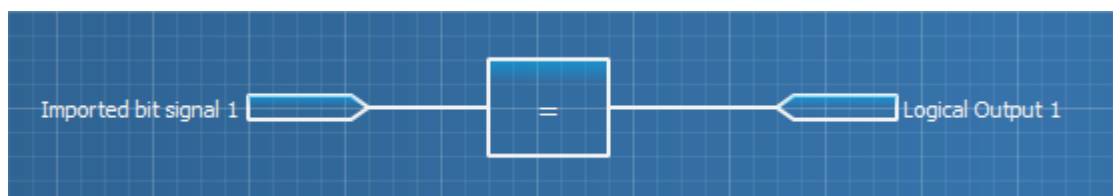
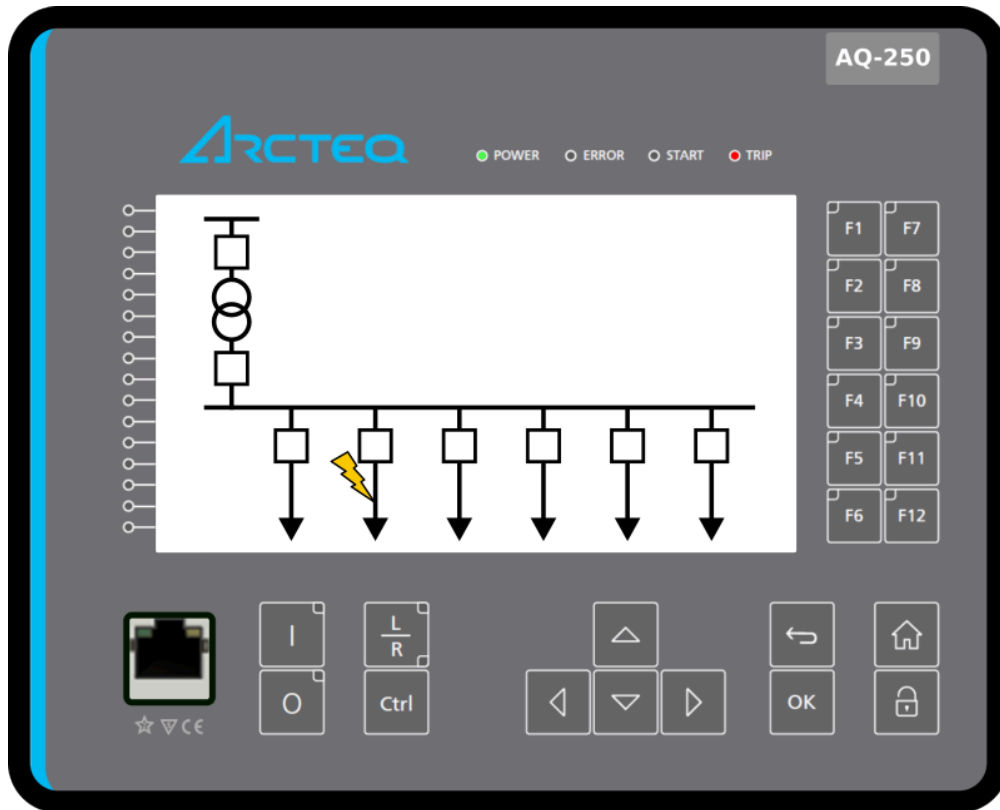


Figure. 5.6 - 185. Example mimic where sensor activation location is indicated with a symbol.



6 Connections and application examples

6.1 Connections of AQ-M255

Figure. 6.1 - 186. AQ-M255 variant without add-on modules.

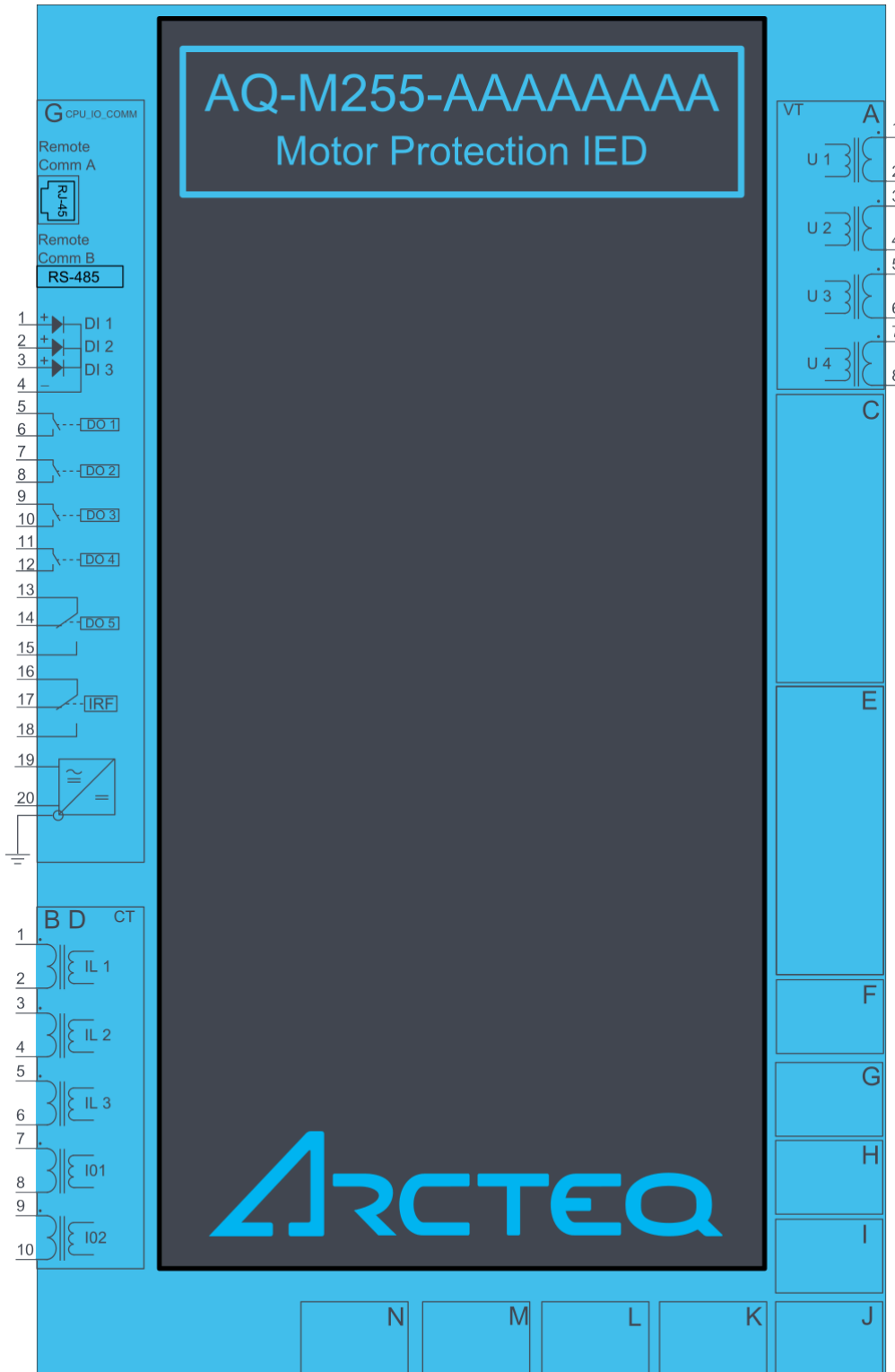


Figure. 6.1 - 187. AQ-M255 variant with digital input and output modules.

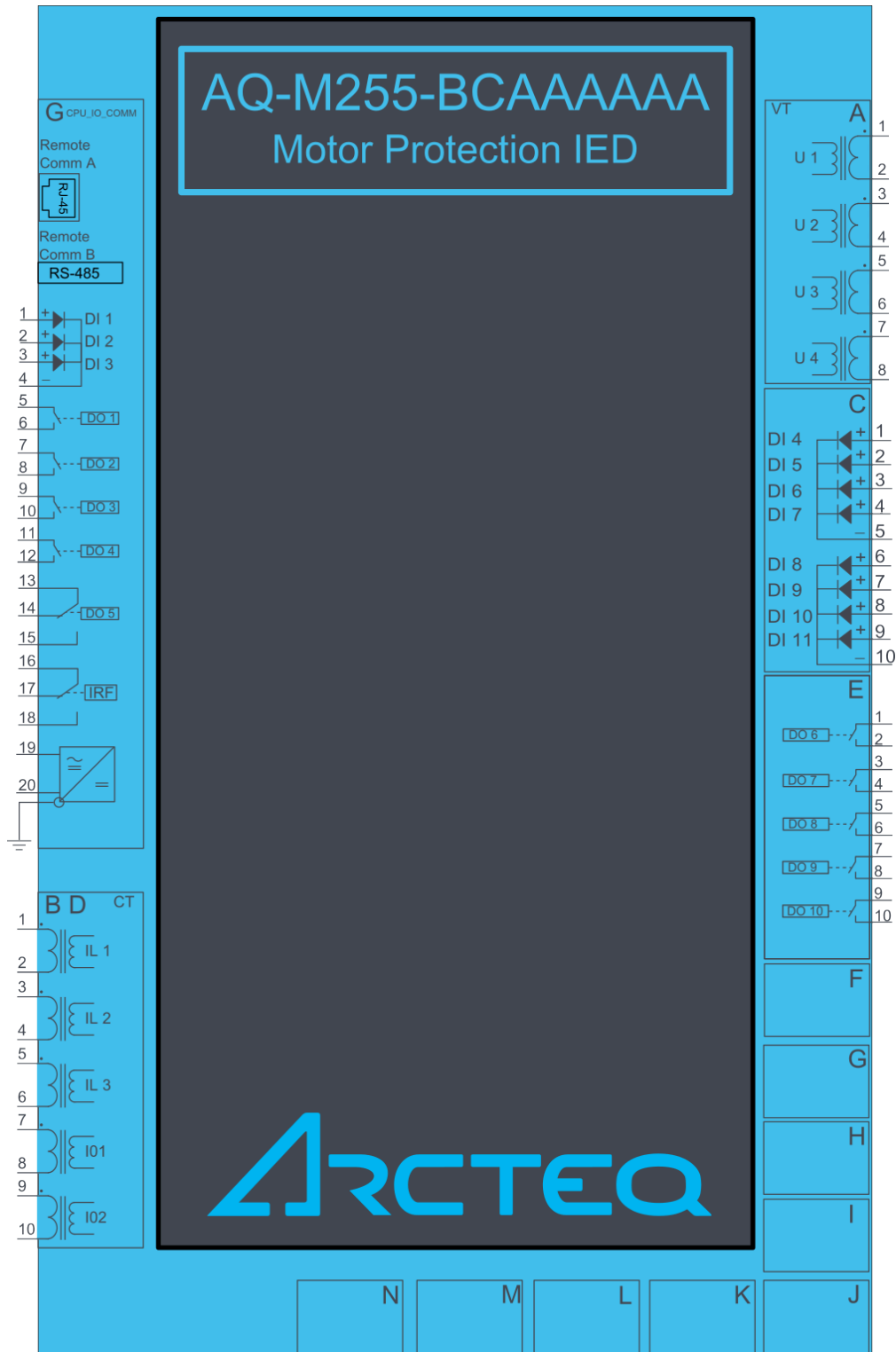
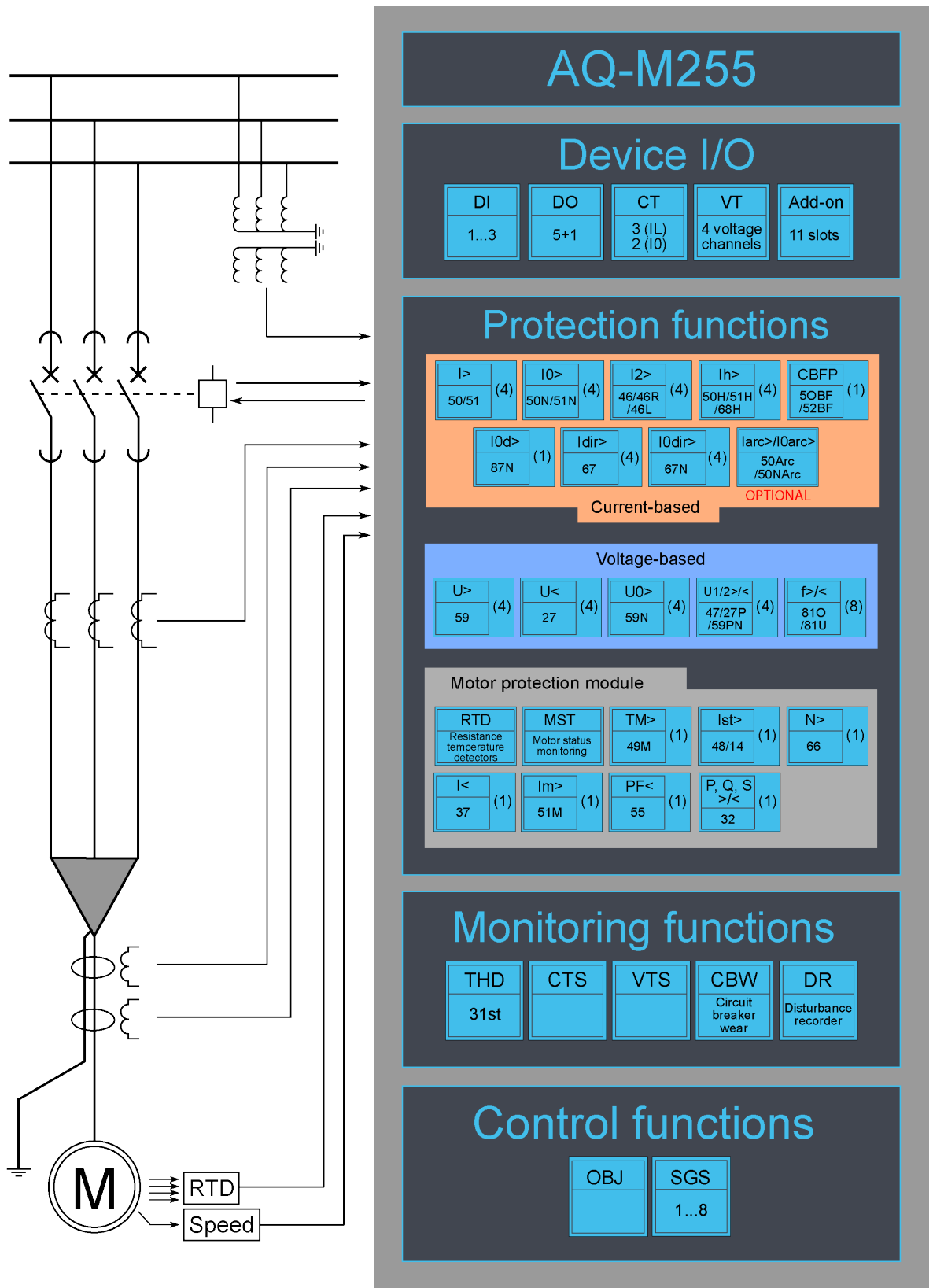


Figure. 6.1 - 188. AQ-M255 application example with function block diagram.

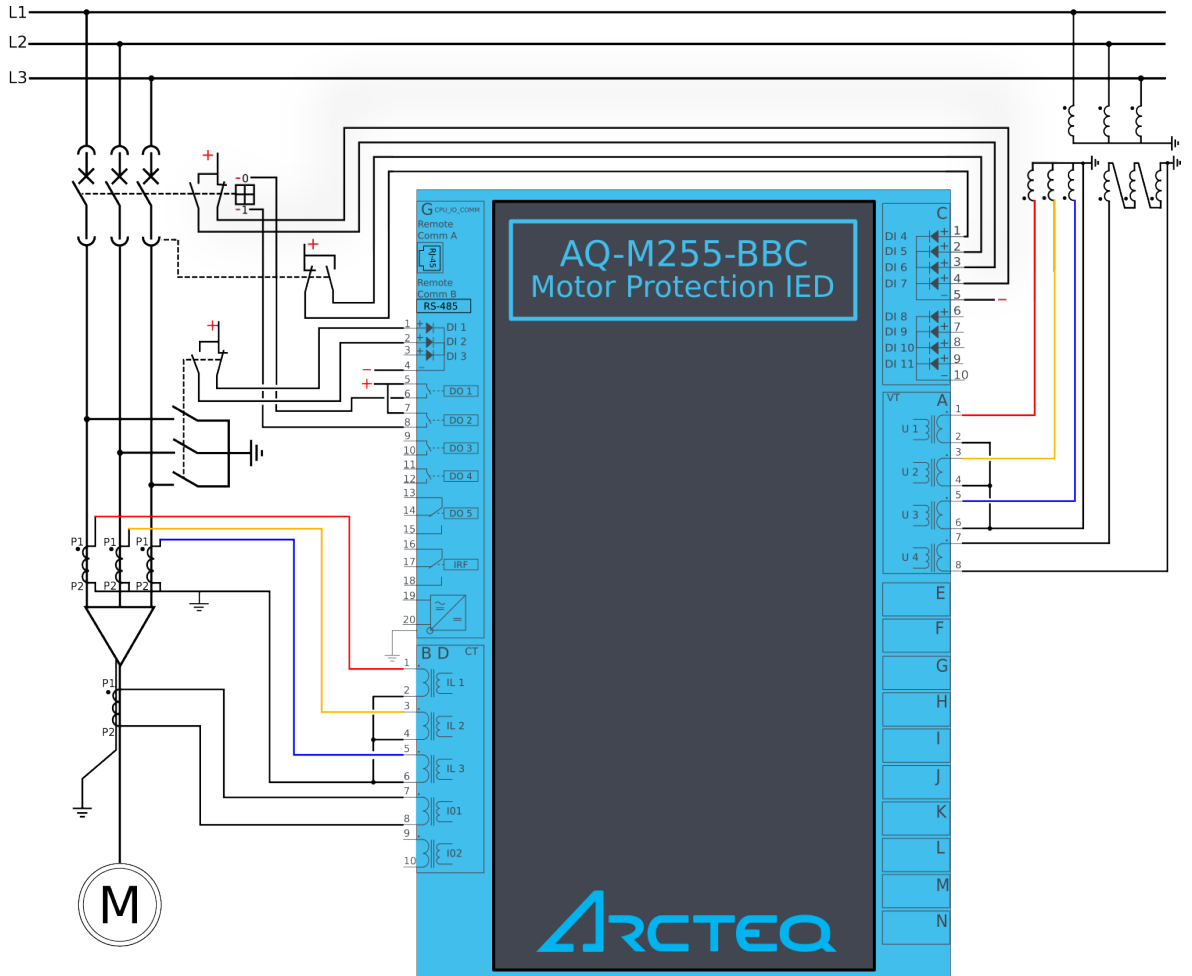


6.2 Application example and its connections

This chapter presents an application example for the motor protection relay.

Since three line-to-neutral voltages and the zero sequence voltage (U4) are connected, this application uses the voltage measurement mode "3LN+U0" (see the image below). Additionally, the three phase currents and the residual current (I01) are also connected. The digital inputs are connected to indicate the breaker status, while the digital outputs are used for breaker control.

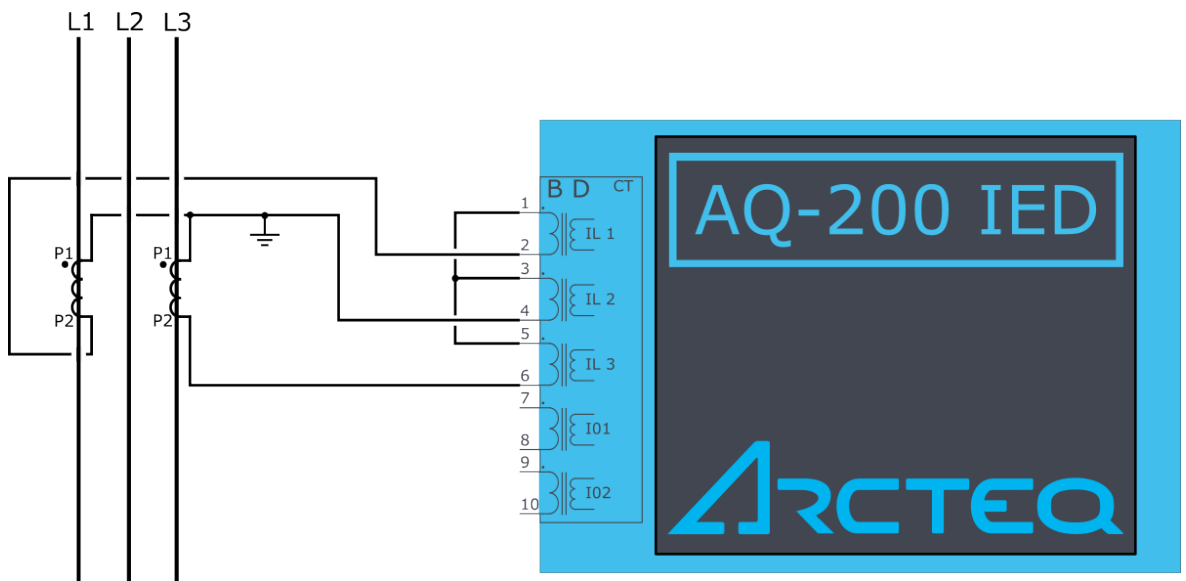
Figure. 6.2 - 189. Application example and its connections.



6.3 Two-phase, three-wire ARON input connection

This chapter presents the two-phase, three-wire ARON input connection for any AQ-200 series device with a current transformer. The example is for applications with protection CTs for just two phases. The connection is suitable for both motor and feeder applications.

Figure. 6.3 - 190. ARON connection.



The ARON input connection can measure the load symmetrically despite the fact that one of the CTs is missing from the installation. Normally, Phase 2 does not have a current transformer installed as an external fault is much more likely to appear on Lines 1 or 3.

A fault between Line 2 and the earth cannot be detected when the ARON input connection is used. In order to detect an earth fault in Phase 2, a cable core CT must be used.

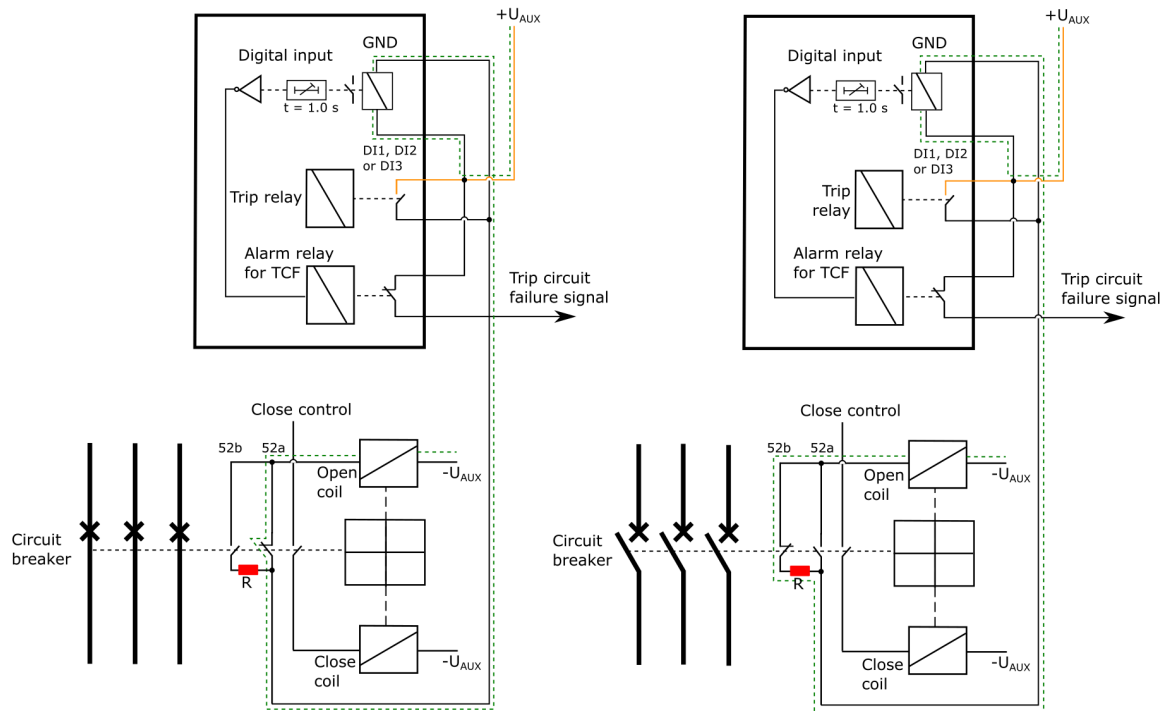
6.4 Trip circuit supervision (95)

Trip circuit supervision is used to monitor the wiring from auxiliary power supply, through the device's digital output, and all the way to the open coil of the breaker. It is recommended to supervise the health of the trip circuit when breaker is closed.

Trip circuit supervision with one digital input and one non-latched trip output

The figure below presents an application scheme for trip circuit supervision with one digital input and a non-latched trip output. With this connection the current keeps flowing to the open coil of the breaker via the breaker's closing auxiliary contacts (52b) even after the circuit breaker is opened. This requires a resistor which reduces the current: this way the coil is not energized and the relay output does not need to cut off the coil's inductive current.

Figure. 6.4 - 191. Trip circuit supervision with one DI and one non-latched trip output.

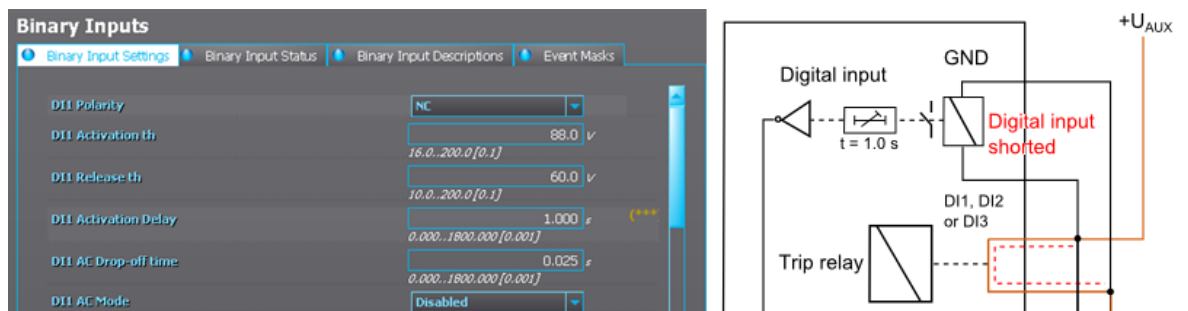


Note that the digital input that monitors the circuit is normally closed, and the same applies to the alarm relay if one is used. For monitoring and especially trip circuit supervision purposes it is recommended to use a normally closed contact to confirm the wiring's condition. An active digital input generates a less than 2 mA current to the circuit, which is usually small enough not to make the breaker's open coil operate.

When the trip relay is controlled and the circuit breaker is opening, the digital input is shorted by the trip contact as long as the breaker opens. Normally, this takes about 100 ms if the relay is non-latched. A one second activation delay should, therefore, be added to the digital input. An activation delay that is slightly longer than the circuit breaker's operations time should be enough. When circuit breaker failure protection (CBFP) is used, adding its operation time to the digital input activation time is useful. The whole digital input activation time is, therefore, $t_{DI} = t_{CB} + t_{IEDrelease} + t_{CBFP}$.

The image below presents the necessary settings when using a digital input for trip circuit supervision. The input's polarity must be NC (normally closed) and a one second delay is needed to avoid nuisance alarm while the circuit breaker is controlled open.

Figure. 6.4 - 192. Settings for a digital input used for trip circuit supervision.



Non-latched outputs are seen as hollow circles in the output matrix, whereas latched contacts are painted. See the image below of an output matrix where a non-latched trip contact is used to open the circuit breaker.

Figure. 6.4 - 193. Non-latched trip contact.

Inputs	OUT1	OUT2	OUT3	OUT4	OUT5
> START (General)					
> START(A)					
> START(B)					
> START(C)					
> TRIP (General)					
> TRIP(A)					
> TRIP(B)					
> TRIP(C)					
> BLOCKED					

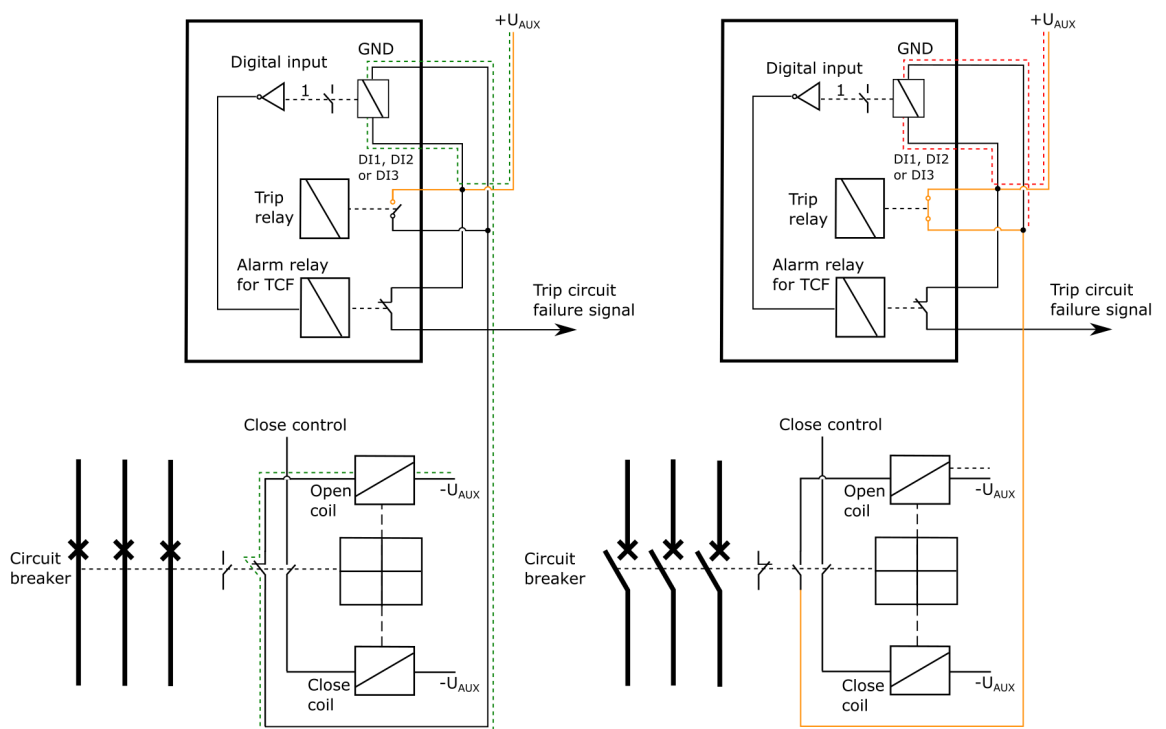
When the auto-reclosing function is used in feeder applications, the trip output contacts must be non-latched. Trip circuit supervision is generally easier and more reliable to build with non-latched outputs.

The open coil remains energized only as long as the circuit breaker is opened and the output releases. This takes approximately 100 ms depending on the size and type of the breaker. When the breaker opens, the auxiliary contacts open the inductive circuit; however, the trip contact does not open at the same time. The device's output relay contact opens in under 50 ms or after a set release delay that takes place after the breaker is opened. This means that the open coil is energized for a while after the breaker has already opened. The coil could even be energized a moment longer if the circuit breaker failure protection has to be used and the incomer performs the trip.

Trip circuit supervision with one digital input and one connected, non-latched trip output

There is one main difference between non-latched and latched control in trip circuit supervision: when using the latched control, the trip circuit (in an open state) cannot be monitored as the digital input is shorted by the device's trip output.

Figure. 6.4 - 194. Trip circuit supervision with one DI and one latched output contact.

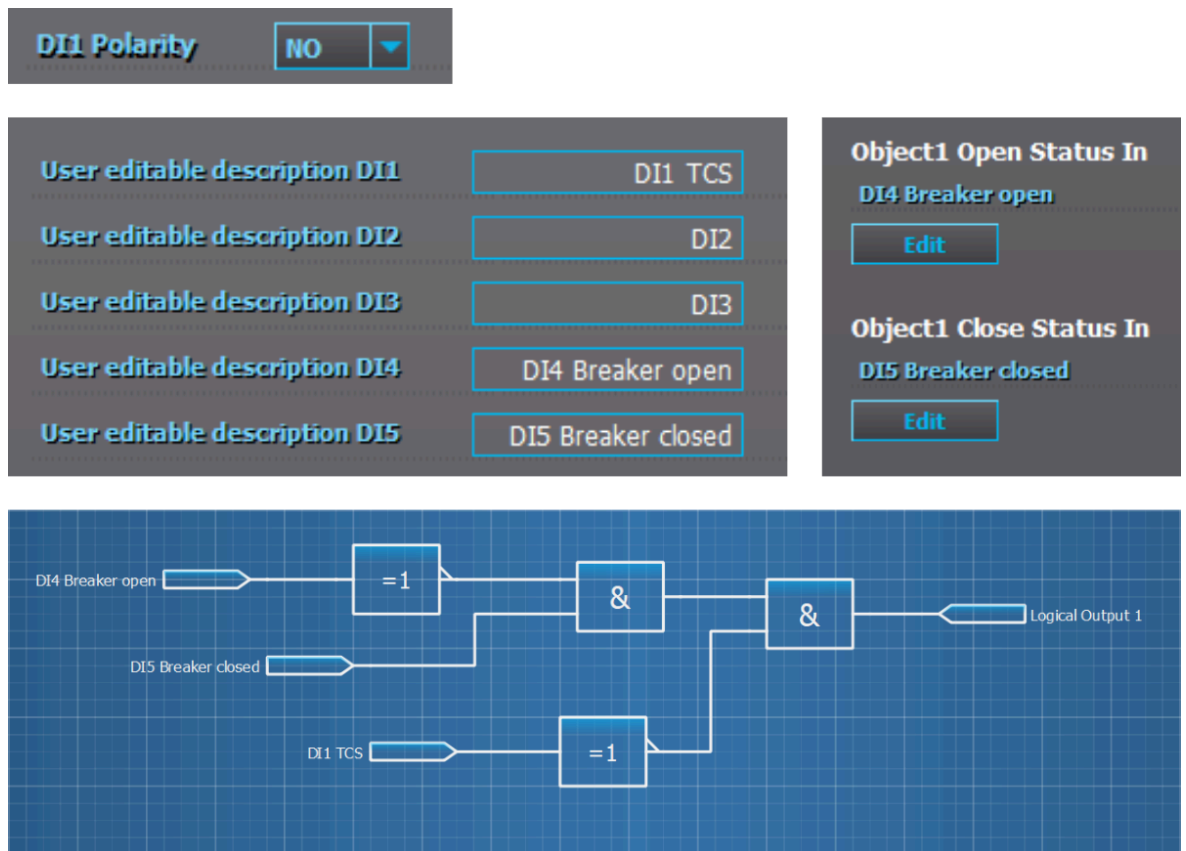


The trip circuit with a latched output contact can be monitored, but only when the circuit breaker's status is "Closed". Whenever the breaker is open, the supervision is blocked by an internal logic scheme. Its disadvantage is that the user does not know whether or not the trip circuit is intact when the breaker is closed again.

The following logic scheme (or similar) blocks the supervision alarm when the circuit breaker is open. The alarm is issued whenever the breaker is closed and whenever the inverted digital input signal ("TCS") activates. A normally closed digital input activates only when there is something wrong with the trip circuit and the auxiliary power goes off. Logical output can be used in the output matrix or in SCADA as the user wants.

The image below presents a block scheme when a non-latched trip output is not used.

Figure. 6.4 - 195. Example block scheme.



7 Construction and installation

7.1 Construction

AQ-X255 is a member of the modular and scalable AQ-200 series, and it includes eleven (11) configurable and modular add-on card slots. As a standard configuration the device includes the CPU module (which consists of the CPU, a number of inputs and outputs, and the power supply) as well as one separate voltage measurement module and one separate current measurement module.

The images below present the modules of both the non-optioned model (AQ-X255-XXXXXXX-AAAAAAAAAAAA) and a partially optioned model (AQ-X255-XXXXXXX-BBBBBBAAAAAJ).

Figure. 7.1 - 196. Modular construction of AQ-X255-XXXXXXX-AAAAAAAAAAAA

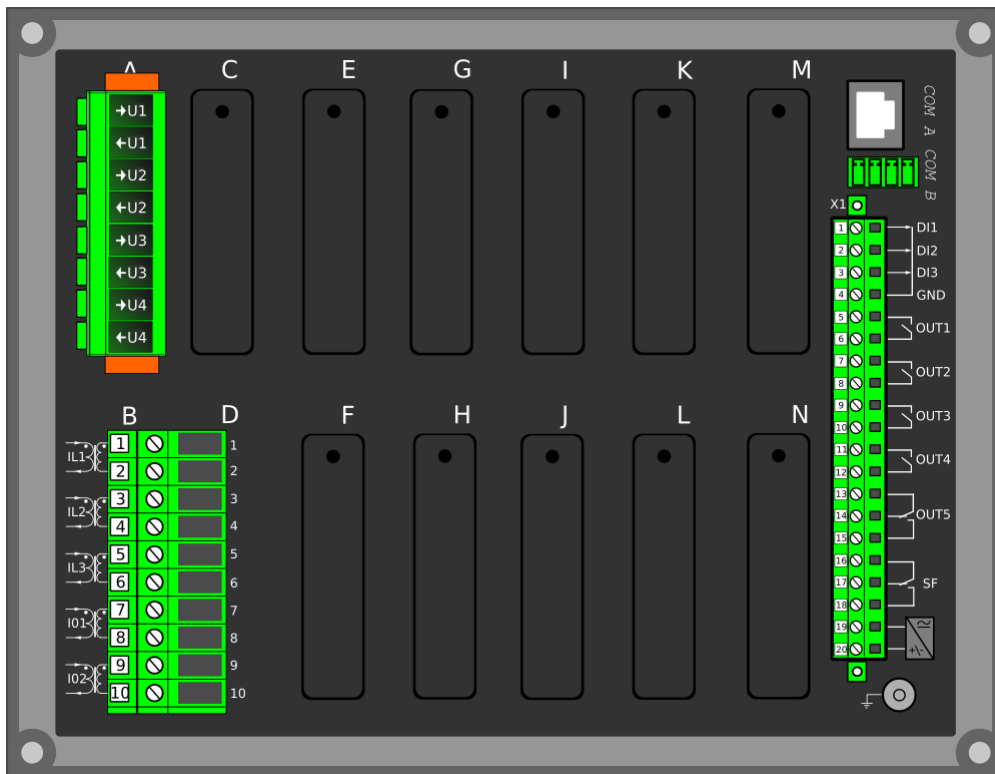
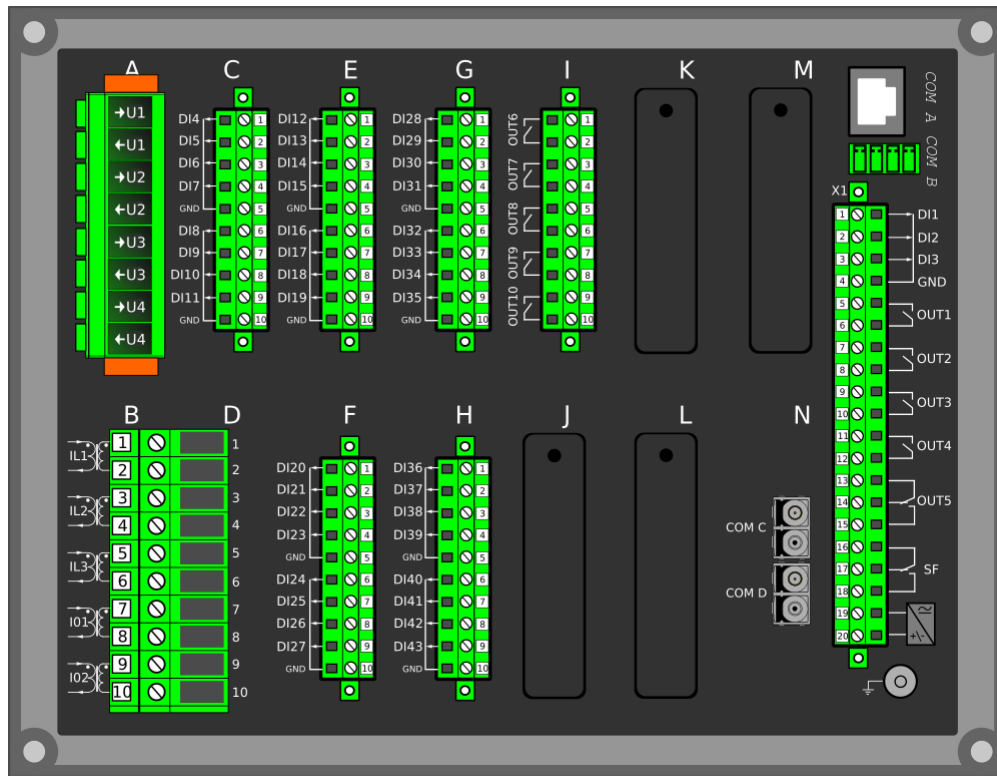


Figure. 7.1 - 197. Modular construction of AQ-X255-XXXXXX-BBBBBBAAAAJ



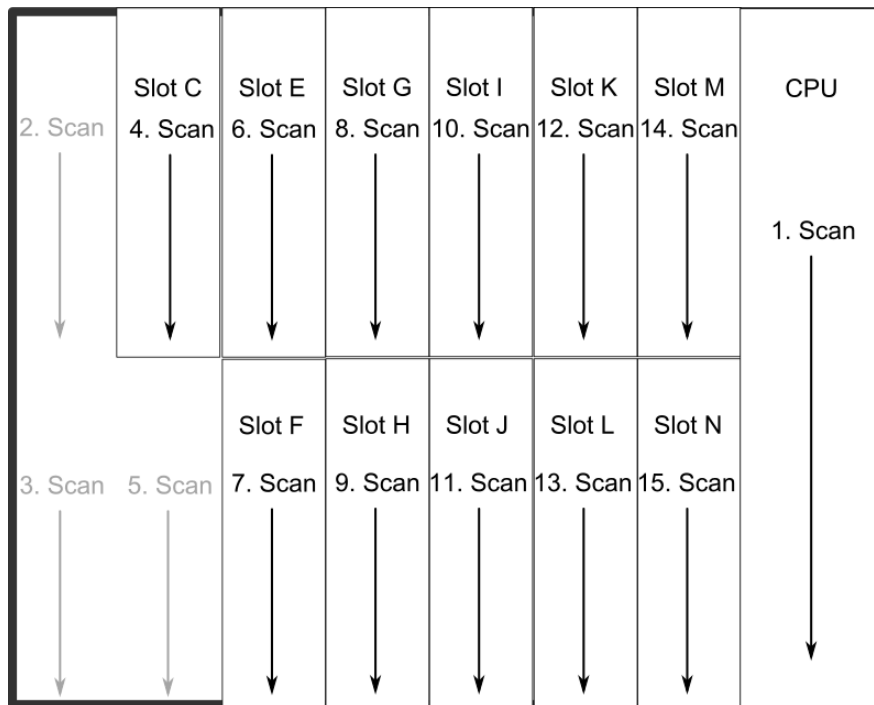
The modular structure of AQ-X255 allows for scalable solutions for different application requirements. In non-standard configurations slots from C to N accept all available add-on modules, such as digital I/O modules, integrated arc protection and other special modules. The only difference between the slots affecting device scalability is that Slots M and N both also support communication options.

Start-up scan searches for modules according to their type designation code. If the module content is not what the device expects, the device issues a hardware configuration error message. In field upgrades, therefore, add-on modules must be ordered from Arcteq Relays Ltd. or its representative who can then provide the module with its corresponding unlocking code to allow the device to operate correctly once the hardware configuration has been upgraded.

When an I/O module is inserted into the device, the module location affects the naming of the I/O. The I/O scanning order in the start-up sequence is as follows: the CPU module I/O, Slot C, Slot E, Slot F, and so on. This means that the digital input channels DI1, DI2 and DI3 as well as the digital output channels OUT1, OUT2, OUT3, OUT4 and OUT5 are always located in the CPU module. If additional I/O cards are installed, their location and card type affect the I/O naming.

The figure below presents the start-up hardware scan order of the device as well as the I/O naming principles.

Figure. 7.1 - 198. AQ-X255 hardware scanning and I/O naming principles.



1. Scan
The start-up system; detects and self-tests the CPU module, voltages, communication and the I/O; finds and assigns "DI1", "DI2", "DI3", "OUT1", "OUT2", "OUT3", "OUT4" and "OUT5".
2. Scan
Scans Slot A and finds the four channels of the VT module (fixed for AQ-X255). If the VTM is not found, the device issues an alarm.
3. Scan
Scans Slot B, which should always remain empty in AQ-X255 devices. If it is not empty, the device issues an alarm.
4. Scan
Scans Slot C, and moves to the next slot if Slot C is empty. If the scan finds an 8DI module (that is, a module with eight digital inputs), it reserves the designations "DI4", "DI5", "DI6", "DI7", "DI8", "DI9", "DI10" and "DI11" to this slot. If the scan finds a DO5 module (that is, a module with five digital outputs), it reserves the designations "OUT6", "OUT7", "OUT8", "OUT9" and "OUT10" to this slot. The I/O is then added if the type designation code (e.g. AQ-P215-PH0AAAA-BBC) matches with the existing modules in the device. If the code and the modules do not match, the device issues an alarm. An alarm is also issued if the device expects to find a module here but does not find one.
5. Scan
Scans Slot D and finds the five channels of the CT module (fixed for AQ-X255). If the CTM is not found, the device issues an alarm.
6. Scan
Scans Slot E, and moves to the next slot if Slot E is empty. If the scan finds an 8DI module, it reserves the designations "DI4", "DI5", "DI6", "DI7", "DI8", "DI9", "DI10" and "DI11" to this slot. If Slot C also has an 8DI module (and therefore has already reserved these designations), the device reserves the designations "DI12", "DI13", "DI14", "DI15", "DI16", "DI17", "DI18" and "DI19" to this slot. If the scan finds a 5DO module, it reserves the designations "OUT6", "OUT7", "OUT8", "OUT9" and "OUT10" to this slot. Again, if Slot C also has a 5DO and has therefore already reserved these designations, the device reserves the designations "OUT11", "OUT12", "OUT13", "OUT14" and "OUT15" to this slot. If the scan finds the arc protection module, it reserves the sensor channels ("S1", "S2", "S3", "S4"), the high-speed outputs ("HSO1", "HSO2"), and the digital input channel ("ArcBI") to this slot.

7. –15. Scan

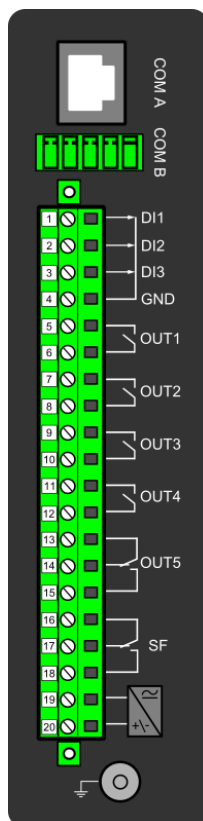
A similar operation to Scan 6 (checks which designations have been reserved by modules in previous slots and numbers the new ones accordingly).

Thus far this chapter has only explained the installation of I/O add-on cards to the option module slots. This is because all other module types are treated in a same way. For example, when an additional communication port is installed into the upper port of the communication module, its designation is Communication port 3 or higher, as Communication ports 1 and 2 already exist in the CPU module (which is scanned, and thus designated, first). After a communication port is detected, it is added into the device's communication space and its corresponding settings are enabled.

The partially optioned example case of AQ-X255-XXXXXX-BBBBBCAAAAJ (the first image pair, on the right) has a total of 43 digital input channels available: three (DI1...DI3) in the CPU module, and the rest in Slots C...H in groups of eight. It also has a total of 10 digital output channels available: five (DO1...DO5) in the CPU module, and five (DO6...DO10) in Slot I. Additionally, there is a double (LC) fiber Ethernet communication option card installed in Slot N. These same principles apply to all non-standard configurations in the AQ-X255 devices.

7.2 CPU module

Figure. 7.2 - 199. CPU module.



Connector	Description
COM A	Communication port A, or the RJ-45 port. Used for the setting tool connection and for IEC 61850, Modbus/TCP, IEC 104, DNP3 and station bus communications.
COM B	Communication port B, or the RS-485 port. Used for the SCADA communications for the following protocols: Modbus/RTU, Modbus I/O, SPA, DNP3, IEC 101 and IEC 103. The pins have the following designations: Pin 1 = DATA +, Pin 2 = DATA -, Pin 3 = GND, Pins 4 & 5 = Terminator resistor enabled by shorting.

Connector	Description
X1-1	Digital input 1, nominal threshold voltage 24 V, 110 V or 220 V.
X1-2	Digital input 2, nominal threshold voltage 24 V, 110 V or 220 V.
X1-3	Digital input 3, nominal threshold voltage 24 V, 110 V or 220 V.
X1-4	Common GND for digital inputs 1, 2 and 3.
X1-5:6	Output relay 1, with a normally open (NO) contact.
X1-7:8	Output relay 2, with a normally open (NO) contact.
X1-9:10	Output relay 3, with a normally open (NO) contact.
X1-11:12	Output relay 4, with a normally open (NO) contact.
X1-13:14:15	Output relay 5, with a changeover contact.
X1-16:17:18	System fault's output relay, with a changeover contact. Pins 16 and 17 are closed when the unit has a system fault or is powered OFF. Pins 16 and 18 are closed when the unit is powered ON and there is no system fault.
X1-19:20	Power supply IN. Either 80...265 VAC/DC (model A; order code "H") or 18...75 DC (model B; order code "L"). Positive side (+) to Pin 20.
GND	The relay's earthing connector.

By default, the CPU module (combining the CPU, the I/O and the power supply) includes two standard communication ports and the relay's basic digital I/O.

The current consumption of the digital inputs is 2 mA when activated, while the range of the operating voltage is 24 V/110 V/220 V depending on the ordered hardware. All digital inputs are scanned in 5 ms program cycles. Their pick-up and release thresholds depend on the selection of the order code. Their delays and NO/NC selection, however, can be set with software. The digital output controls are also set by the user with software. By default, the digital outputs are controlled in 5 ms program cycles. All output contacts are mechanical. The rated voltage of the NO/NC outputs is 250 VAC/DC.

The auxiliary voltage is defined in the ordering code: the available power supply models available are A (80...265 VAC/DC) and B (18...75 DC). The power supply's minimum allowed bridging time for all voltage levels is above 150 ms. The power supply's maximum power consumption is 15 W. The power supply allows a DC ripple of below 15 % and the start-up time of the power supply is below 5 ms. For further details, please refer to the "Auxiliary voltage" chapter in the "Technical data" section of this document.

Digital input settings

The settings described in the table below can be found at *Control* → *Device I/O* → *Digital input settings* in the relay settings.

Table. 7.2 - 347. Digital input settings.

Name	Range	Step	Default	Description
Dlx Polarity	0: NO (Normally open) 1: NC (Normally closed)	-	0: NO	Selects whether the status of the digital input is 1 or 0 when the input is energized.

Name	Range	Step	Default	Description
Dlx Activation delay	0.000...1800.000 s	0.001 s	0.000 s	Defines the delay for the status change from 0 to 1.
Dlx Drop-off time	0.000...1800.000 s	0.001 s	0.000 s	Defines the delay for the status change from 1 to 0.
Dlx AC mode	0: Disabled 1: Enabled	-	0: Disabled	Selects whether or not a 30-ms deactivation delay is added to account for alternating current.

Digital input and output descriptions

CPU card digital inputs and outputs can be given a description. The user defined description are displayed in most of the menus:

- logic editor
- matrix
- block settings
- event history
- disturbance recordings
- etc.

Table. 7.2 - 348. Digital input and output user description.

Name	Range	Default	Description
User editable description Dlx	1...31 characters	Dlx	Description of the digital input. This description is used in several menu types for easier identification.
User editable description OUTx		OUTx	Description of the digital output. This description is used in several menu types for easier identification.



NOTICE!

After editing user descriptions the event history will start to use the new description only after resetting the HMI. HMI can be reset from *General* → *Device info* → *LCD restart*.

Scanning cycle

All digital inputs are scanned in a 5 ms cycle, meaning that the state of an input is updated every 0...5 milliseconds. When an input is used internally in the device (either in group change or logic), it takes additional 0...5 milliseconds to operate. Theoretically, therefore, it takes 0...10 milliseconds to change the group when a digital input is used for group control or a similar function. In practice, however, the delay is between 2...8 milliseconds about 95 % of the time. When a digital input is connected directly to a digital output (T1...Tx), it takes an additional 5 ms round. Therefore, when a digital input controls a digital output internally, it takes 0...15 milliseconds in theory and 2...13 milliseconds in practice.

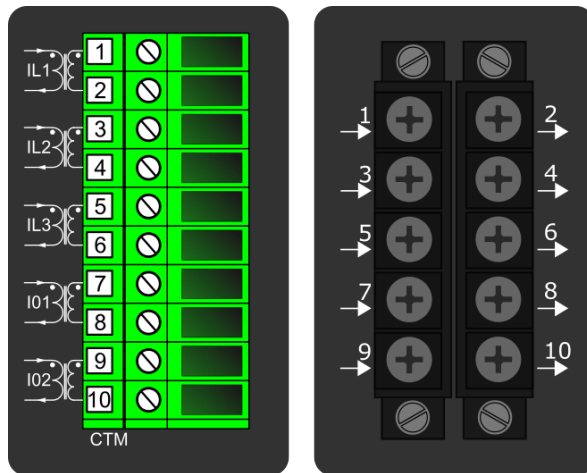


NOTICE!

The mechanical delay of the relay is not included in these approximations!

7.3 Current measurement module

Figure. 7.3 - 200. Module connections with standard and ring lug terminals.



Connector	Description
CTM 1-2	Phase current measurement for phase L1 (A).
CTM 3-4	Phase current measurement for phase L2 (B).
CTM 5-6	Phase current measurement for phase L3 (C).
CTM 7-8	Coarse residual current measurement I01.
CTM 9-10	Fine residual current measurement I02.

A basic current measurement module with five channels includes three-phase current measurement inputs as well as coarse and fine residual current inputs. The CT module is available with either standard or ring lug connectors.

The current measurement module is connected to the secondary side of conventional current transformers (CTs). The nominal current for the phase current inputs is 5 A. The input nominal current can be scaled for secondary currents of 1...10 A. The secondary currents are calibrated to nominal currents of 1 A and 5 A, which provide $\pm 0.5\%$ inaccuracy when the range is $0.005...4 \times I_n$.

The measurement ranges are as follows:

- Phase currents 25 mA...250 A (RMS)
- Coarse residual current 5 mA...150 A (RMS)
- Fine residual current 1 mA...75 A (RMS)

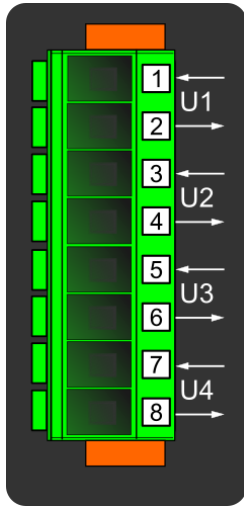
The characteristics of phase current inputs are as follows:

- The angle measurement inaccuracy is less than ± 0.2 degrees with nominal current.
- The frequency measurement range of the phase current inputs is 6...1800 Hz with standard hardware.
- The quantization of the measurement signal is applied with 18-bit AD converters, and the sample rate of the signal is 64 samples/cycle when the system frequency ranges from 6 Hz to 75 Hz.

For further details please refer to the "Current measurement" chapter in the "Technical data" section of this document.

7.4 Voltage measurement module

Figure. 7.4 - 201. Voltage measurement module.



Connector	Description
VTM 1-2	Configurable voltage measurement input U1.
VTM 3-4	Configurable voltage measurement input U2.
VTM 5-6	Configurable voltage measurement input U3.
VTM 7-8	Configurable voltage measurement input U4.

A basic voltage measurement module with four channels includes four voltage measurement inputs that can be configured freely.

The voltage measurement module is connected to the secondary side of conventional voltage transformers (VTs) or directly to low-voltage systems secured by fuses. The nominal voltage can be set between 100...400 V. Voltages are calibrated in a range of 0...240 V, which provides $\pm 0.2\%$ inaccuracy in the same range.

The voltage input characteristics are as follows:

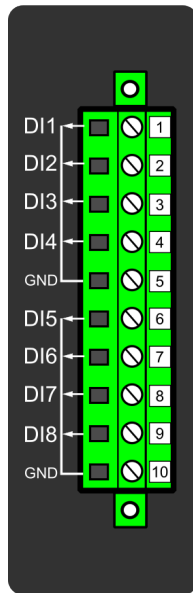
- The measurement range is 0.5...480.0 V per channel.
- The angle measurement inaccuracy is less than ± 0.5 degrees within the nominal range.
- The frequency measurement range of the voltage inputs is 6...1800 Hz with standard hardware.
- The quantization of the measurement signal is applied with 18-bit AD converters, and the sample rate of the signal is 64 samples/cycle when the system frequency ranges from 6 Hz to 75 Hz.

For further details please refer to the "Voltage measurement" chapter in the "Technical data" section of this document.

7.5 Option cards

7.5.1 Digital input module (optional)

Figure. 7.5.1 - 202. Digital input module (DI8) with eight add-on digital inputs.



Connector	Description (x = the number of digital inputs in other modules that precede this one in the configuration)
X 1	Dlx + 1
X 2	Dlx + 2
X 3	Dlx + 3
X 4	Dlx + 4
X 5	Common earthing for the first four digital inputs.
X 6	Dlx + 5
X 7	Dlx + 6
X 8	Dlx + 7
X 9	Dlx + 8
X 10	Common earthing for the other four digital inputs.

The DI8 module is an add-on module with eight (8) galvanically isolated digital inputs. This module can be ordered directly to be installed into the device in the factory, or it can be upgraded in the field after the device's original installation when required. The properties of the inputs in this module are the same as those of the inputs in the main processor module. The current consumption of the digital inputs is 2 mA when activated, while the range of the operating voltage is from 0...265 VAC/DC. The activation and release thresholds are set in the software and the resolution is 1 V. All digital inputs are scanned in 5 ms program cycles, and their pick-up and release delays as well as their NO/NC selection can be set with software.

For the naming convention of the digital inputs provided by this module please refer to the chapter titled "Construction and installation".

For technical details please refer to the chapter titled "Digital input module" in the "Technical data" section of this document.

Setting up the activation and release delays

The settings described in the table below can be found at *Control* → *Device I/O* → *Digital input settings* in the relay settings.

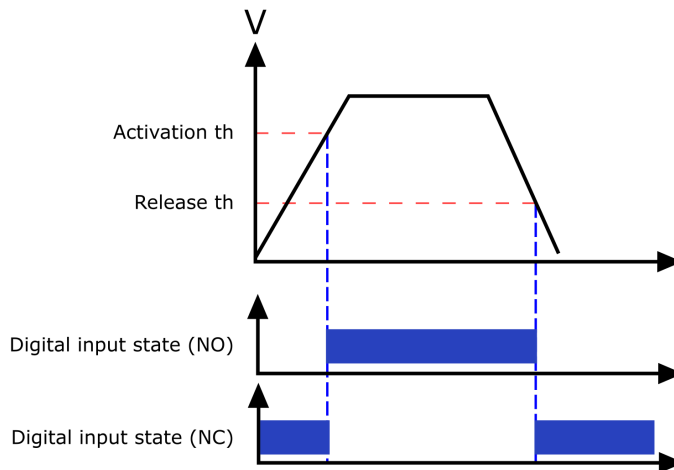
Table. 7.5.1 - 349. Digital input settings of DI8 module.

Name	Range	Step	Default	Description
Dlx Polarity	0: NO (Normally open) 1: NC (Normally closed)	-	0: NO	Selects whether the status of the digital input is 1 or 0 when the input is energized.
Dlx Activation threshold	16.0...200.0 V	0.1 V	88 V	Defines the activation threshold for the digital input. When "NO" is the selected polarity, the measured voltage exceeding this setting activates the input. When "NC" is the selected polarity, the measured voltage exceeding this setting deactivates the input.
Dlx Release threshold	10.0...200.0 V	0.1 V	60V	Defines the release threshold for the digital input. When "NO" is the selected polarity, the measured voltage below this setting deactivates the input. When "NC" is the selected polarity, the measured voltage below this setting activates the input.
Dlx Activation delay	0.000...1800.000 s	0.001 s	0.000 s	Defines the delay when the status changes from 0 to 1.
Dlx Drop-off time	0.000...1800.000 s	0.001 s	0.000 s	Defines the delay when the status changes from 1 to 0.
Dlx AC Mode	0: Disabled 1: Enabled	-	0: Disabled	Selects whether or not a 30-ms deactivation delay is added to take the alternating current into account. The "Dlx Release threshold" parameter is hidden and forced to 10 % of the set "Dlx Activation threshold" parameter.
Dlx Counter	0...2 ³² -1	1	0	Displays the number of times the digital input has changed its status from 0 to 1.
Dlx Clear counter	0: - 1: Clear	-	0: -	Resets the Dlx counter value to zero.

The user can set the activation threshold individually for each digital input. When the activation and release thresholds have been set properly, they will result in the digital input states to be activated and released reliably. The selection of the normal state between normally open (NO) and normally closed (NC) defines whether or not the digital input is considered activated when the digital input channel is energized.

The diagram below depicts the digital input states when the input channels are energized and de-energized.

Figure. 7.5.1 - 203. Digital input state when energizing and de-energizing the digital input channels.



Digital input descriptions

Option card inputs can be given a description. The user defined description are displayed in most of the menus:

- logic editor
- matrix
- block settings
- event history
- disturbance recordings
- etc.

Table. 7.5.1 - 350. Digital input user description.

Name	Range	Default	Description
User editable description Dlx	1...31 characters	Dlx	Description of the digital input. This description is used in several menu types for easier identification.



NOTICE!

After editing user descriptions the event history will start to use the new description only after resetting the HMI. HMI can be reset from *General* → *Device info* → *LCD restart*.

Digital input voltage measurements

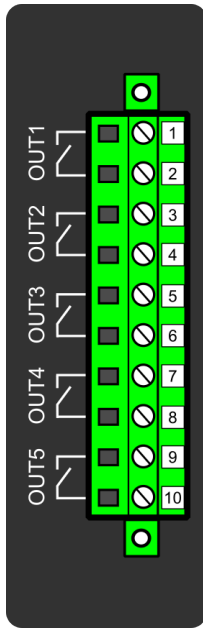
Digital input option card channels measure voltage on each channel. The measured voltage can be seen at *Control* → *Device IO* → *Digital inputs* → *Digital input voltages*.

Table. 7.5.1 - 351. Digital input channel voltage measurement.

Name	Range	Step	Description
Dlx Voltage now	0.000...275.000 V	0.001 V	Voltage measurement of a digital input channel.

7.5.2 Digital output module (optional)

Figure. 7.5.2 - 204. Digital output module (DO5) with five add-on digital outputs.



Connector	Description
X 1-2	OUTx + 1 (1 st and 2 nd pole NO)
X 3-4	OUTx + 2 (1 st and 2 nd pole NO)
X 5-6	OUTx + 3 (1 st and 2 nd pole NO)
X 7-8	OUTx + 4 (1 st and 2 nd pole NO)
X 9-10	OUTx + 5 (1 st and 2 nd pole NO)

The DO5 module is an add-on module with five (5) digital outputs. This module can be ordered directly to be installed into the device in the factory, or it can be upgraded in the field after the device's original installation when required. The properties of the outputs in this module are the same as those of the outputs in the main processor module. The user can set the digital output controls with software. All digital outputs are scanned in 5 ms program cycles, and their contacts are mechanical in type. The rated voltage of the NO/NC outputs is 250 VAC/DC.

For the naming convention of the digital inputs provided by this module please refer to the chapter titled "Construction and installation".

For technical details please refer to the chapter titled "Digital output module" in the "Technical data" section of this document.

Digital output descriptions

Option card outputs can be given a description. The user defined description are displayed in most of the menus:

- logic editor
- matrix

- block settings
- event history
- disturbance recordings
- etc.

Table. 7.5.2 - 352. Digital output user description.

Name	Range	Default	Description
User editable description OUTx	1...31 characters	OUTx	Description of the digital output. This description is used in several menu types for easier identification.



NOTICE!

After editing user descriptions the event history will start to use the new description only after resetting the HMI. HMI can be reset from *General* → *Device info* → *LCD restart*.

7.5.3 Point sensor arc protection module (optional)

Figure. 7.5.3 - 205. Arc protection module.

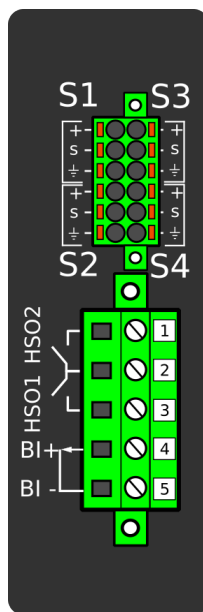


Table. 7.5.3 - 353. Module connections.

Connector	Description
S1	Light sensor channels 1...4 with positive ("+"), sensor ("S") and earth connectors.
S2	
S3	
S4	
X 1	HSO2 (+, NO)
X 2	Common battery positive terminal (+) for the HSOs.

Connector	Description
X 3	HSO1 (+, NO)
X 4	Binary input 1 (+ pole)
X 5	Binary input 1 (– pole)

The arc protection module is an add-on module with four (4) light sensor channels, two (2) high-speed outputs and one (1) binary input. This module can be ordered directly to be installed into the device in the factory, or it can be upgraded in the field after the device's original installation when required. If even one of the sensor channels is connected incorrectly, the channel does not work. Each channel can have up to three (3) light sensors serially connected to it. The user can choose how many of the channels are in use.

The high-speed outputs (HSO1 and HSO2) operate only with a DC power supply. The battery's positive terminal (+) must be wired according to the drawing. The NO side of the outputs 1 or 2 must be wired through trip coil to the battery's negative terminal (–). The high-speed outputs can withstand voltages up to 250 VDC. The operation time of the high-speed outputs is less than 1 ms. For further information please refer to the chapter titled "Arc protection module" in the "Technical data" section of this manual.

The rated voltage of the binary input is 24 VDC. The threshold picks up at ≥ 16 VDC. The binary input can be used for external light information or for similar applications. It can also be used as a part of various ARC schemes. Please note that the binary input's delay is 5...10ms.

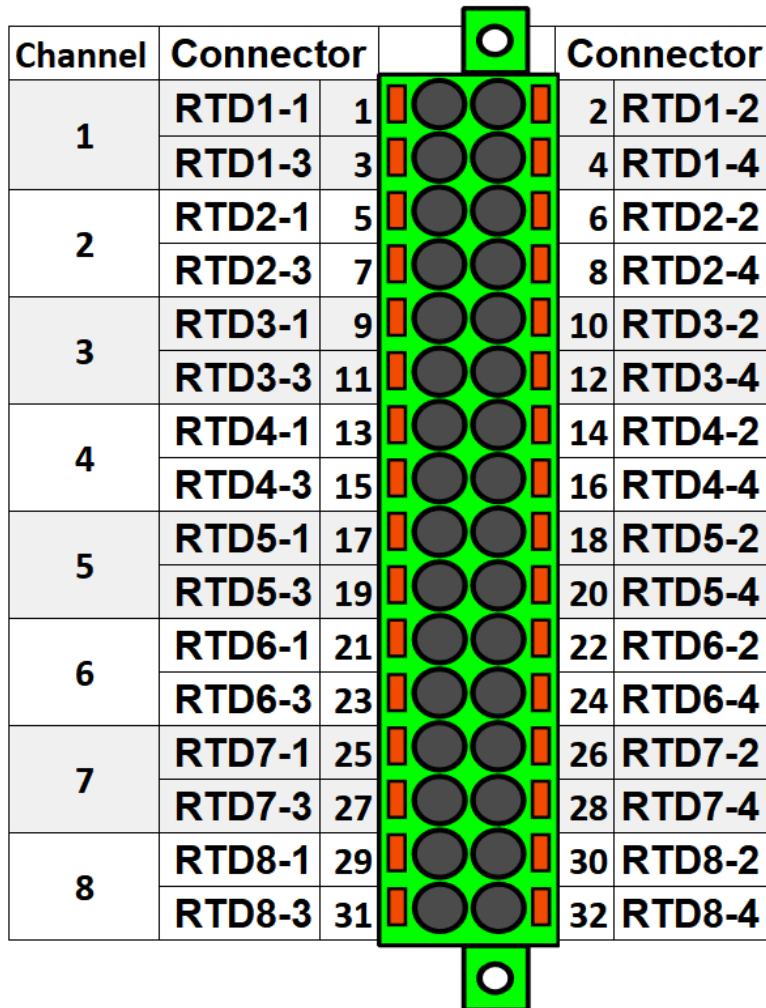


NOTICE!

BI1, HSO1 and HSO2 are not visible in the *Binary inputs* and *Binary outputs* menus (*Control* → *Device I/O*), they can only be programmed in the arc matrix menu (*Protection* → *Arc protection* → *I/O* → *Direct output control* and *HSO control*).

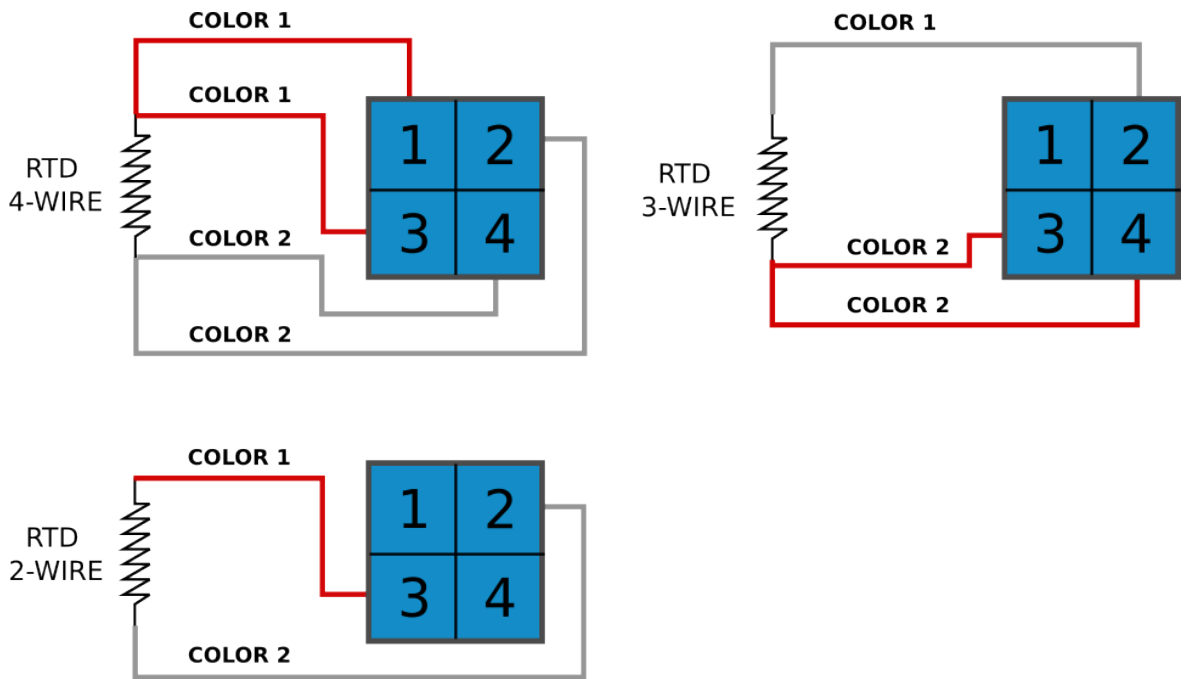
7.5.4 RTD input module (optional)

Figure. 7.5.4 - 206. RTD input module connectors.



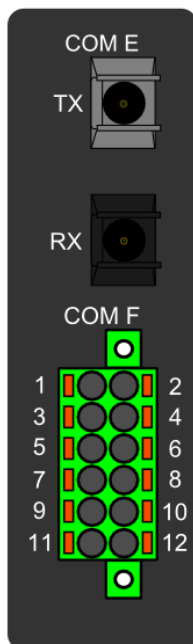
The RTD input module is an add-on module with eight (8) RTD input channels. Each input supports 2-wire, 3-wire and 4-wire RTD sensors. The sensor type can be selected with software for two groups, four channels each. The card supports Pt100 and Pt1000 sensors

Figure. 7.5.4 - 207. RTD sensor connection types.



7.5.5 Serial RS-232 communication module (optional)

Figure. 7.5.5 - 208. Serial RS-232 module connectors.



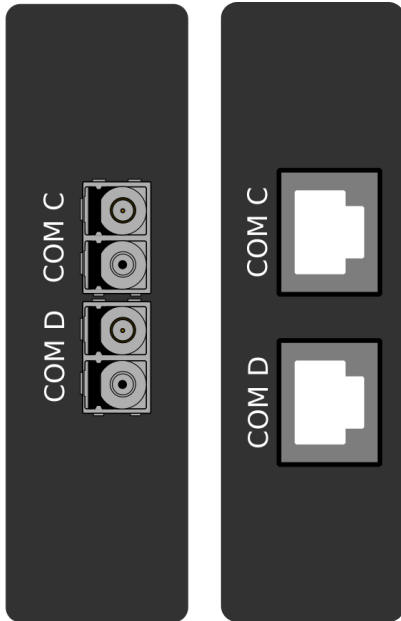
Connector	Name	Description
COM E	Serial fiber (GG/PP/ GP/PG)	<ul style="list-style-type: none"> Serial-based communications Wavelength 660 nm Compatible with 50/125 μm, 62.5/125 μm, 100/140 μm, and 200 μm Plastic-Clad Silica (PCS) fiber Compatible with ST connectors

Connector	Name	Description
COM F – Pin 1	+24 V input	Optional external auxiliary voltage for serial fiber
COM F – Pin 2	GND	Optional external auxiliary voltage for serial fiber
COM F – Pin 3	-	-
COM F – Pin 4	-	-
COM F – Pin 5	RS-232 RTS	Serial based communications
COM F – Pin 6	RS-232 GND	Serial based communications
COM F – Pin 7	RS-232 TX	Serial based communications
COM F – Pin 8	RS-232 RX	Serial based communications
COM F – Pin 9	-	-
COM F – Pin 10	+3.3 V output (spare)	Spare power source for external equipment (45 mA)
COM F – Pin 11	Clock sync input	Clock synchronization input
COM F – Pin 12	Clock sync GND	Clock synchronization input

The option card includes two serial communication interfaces: COM E is a serial fiber interface with glass/plastic option, COM F is an RS-232 interface.

7.5.6 LC or RJ45 100 Mbps Ethernet communication module (optional)

Figure. 7.5.6 - 209. LC and RJ45 100 Mbps Ethernet module connectors.

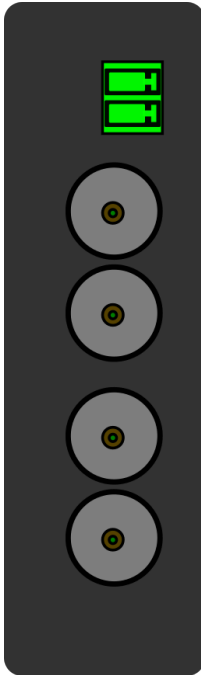


Connector	Description (LC ports)	Description (RJ45)
COM C:	<ul style="list-style-type: none"> • Communication port C, 100 Mbps LC fiber connector. • 62.5/125 μm or 50/125 μm multimode (glass). • Wavelength 1300 nm. 	<ul style="list-style-type: none"> • RJ-45 connectors • 10BASE-T and 100BASE-TX
COM D:	<ul style="list-style-type: none"> • Communication port D, 100 Mbps LC fiber connector. • 62.5/125 μm or 50/125 μm multimode (glass). • Wavelength 1300 nm. 	<ul style="list-style-type: none"> • RJ-45 connectors • 10BASE-T and 100BASE-TX

Both cards support both HSR and PRP protocols.

7.5.7 Double ST 100 Mbps Ethernet communication module (optional)

Figure. 7.5.7 - 210. Double ST 100 Mbps Ethernet communication module connectors.



Connector	Description
Two-pin connector	<ul style="list-style-type: none"> IRIG-B input
ST connectors	<ul style="list-style-type: none"> Duplex ST connectors 62.5/125 μm or 50/125 μm multimode fiber Transmitter wavelength: 1260...1360 nm (nominal: 1310 nm) Receiver wavelength: 1100...1600 nm 100BASE-FX Up to 2 km

This option cards supports redundant ring configuration and multidrop configurations. Please note that each ring can only contain AQ-200 series devices, and any third party devices must be connected to a separate ring.

For other redundancy options, please refer to the option card "LC 100 Mbps Ethernet communication module".

The images below present two example configurations: the first displays a ring configuration (note how the third party devices are connected in a separate ring), while the second displays a multidrop configuration.

Figure. 7.5.7 - 211. Example of a ring configuration.

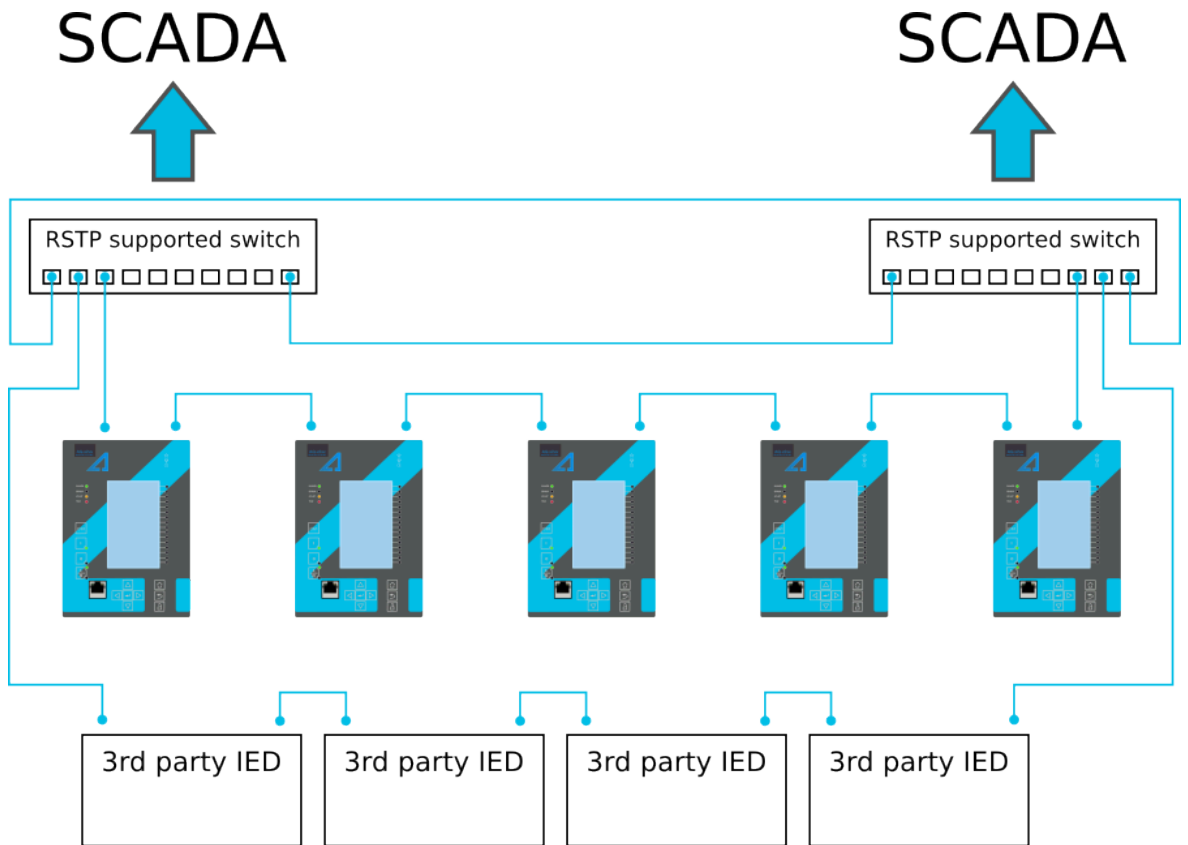
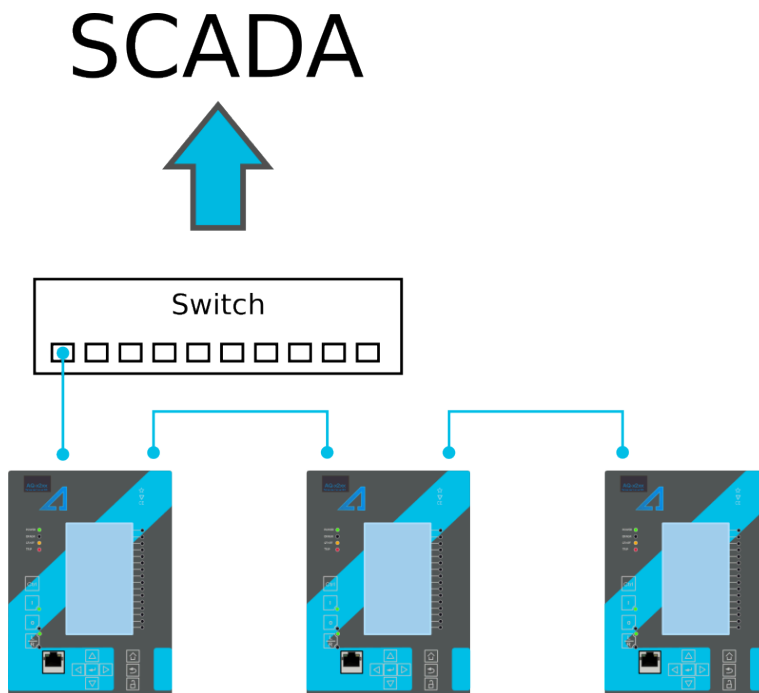


Figure. 7.5.7 - 212. Example of a multidrop configuration.



7.5.8 Double RJ45 10/100 Mbps Ethernet communication module (optional)

Figure. 7.5.8 - 213. Double RJ-45 10/100 Mbps Ethernet communication module.

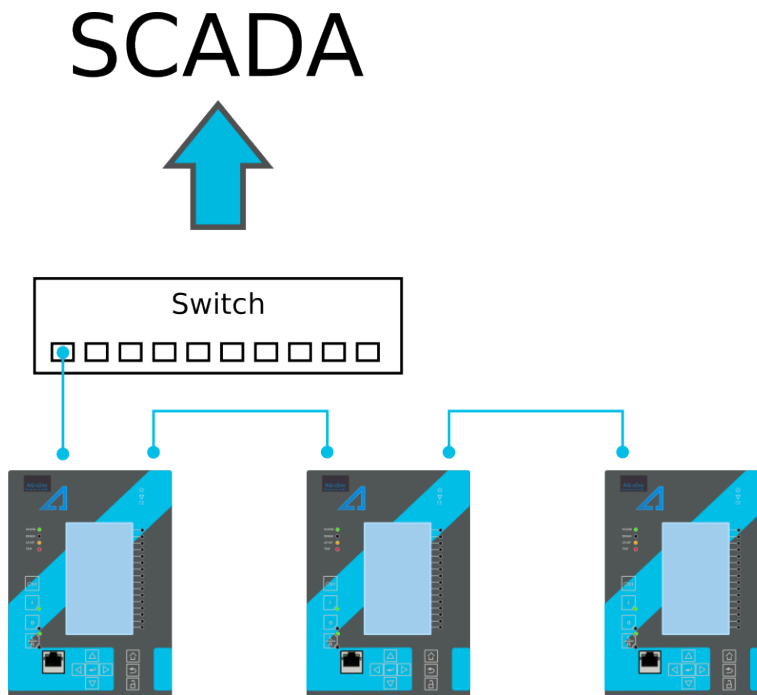


Connector	Description
Two-pin connector	<ul style="list-style-type: none">• IRIG-B input
RJ-45 connectors	<ul style="list-style-type: none">• Two Ethernet ports• RJ-45 connectors• 10BASE-T and 100BASE-TX

This option card supports multidrop configurations.

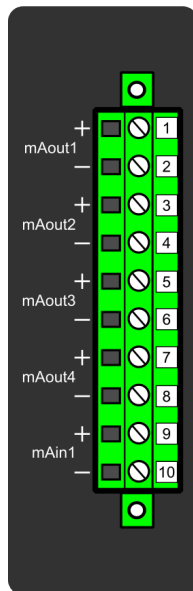
For other redundancy options, please refer to the option card "LC 100 Mbps Ethernet communication module".

Figure. 7.5.8 - 214. Example of a multidrop configuration.



7.5.9 Milliampere (mA) I/O module (optional)

Figure. 7.5.9 - 215. Milliampere (mA) I/O module connections.



Connector	Description
Pin 1	mA OUT 1 + connector (0...24 mA)
Pin 2	mA OUT 1 – connector (0...24 mA)
Pin 3	mA OUT 2 + connector (0...24 mA)
Pin 4	mA OUT 2 – connector (0...24 mA)

Connector	Description
Pin 5	mA OUT 3 + connector (0...24 mA)
Pin 6	mA OUT 3 – connector (0...24 mA)
Pin 7	mA OUT 4 + connector (0...24 mA)
Pin 8	mA OUT 4 – connector (0...24 mA)
Pin 9	mA IN 1 + connector (0...33 mA)
Pin 10	mA IN 1 – connector (0...33 mA)

The milliampere (mA) I/O module is an add-on module with four (4) mA outputs and one (1) mA input. Both the outputs and the input are in two galvanically isolated groups, with one pin for the positive (+) connector and one pin for the negative (–) connector.

This module can be ordered directly to be installed into the device in the factory, or it can be upgraded in the field after the device's original installation when required.

The user sets the mA I/O with the mA outputs control function. This can be done at *Control* → *Device I/O* → *mA outputs* in the relay configuration settings.

7.6 Dimensions and installation

The device can be installed either to a standard 19" rack or to a switchgear panel with cutouts. The desired installation type is defined in the order code. When installing to a rack, the device takes a half (½) of the rack's width, meaning that a total of two devices can be installed to the same rack next to one another.

The figures below describe the device dimensions (first figure), the device installation (second), and the panel cutout dimensions and device spacing (third).

Figure. 7.6 - 216. Device dimensions.

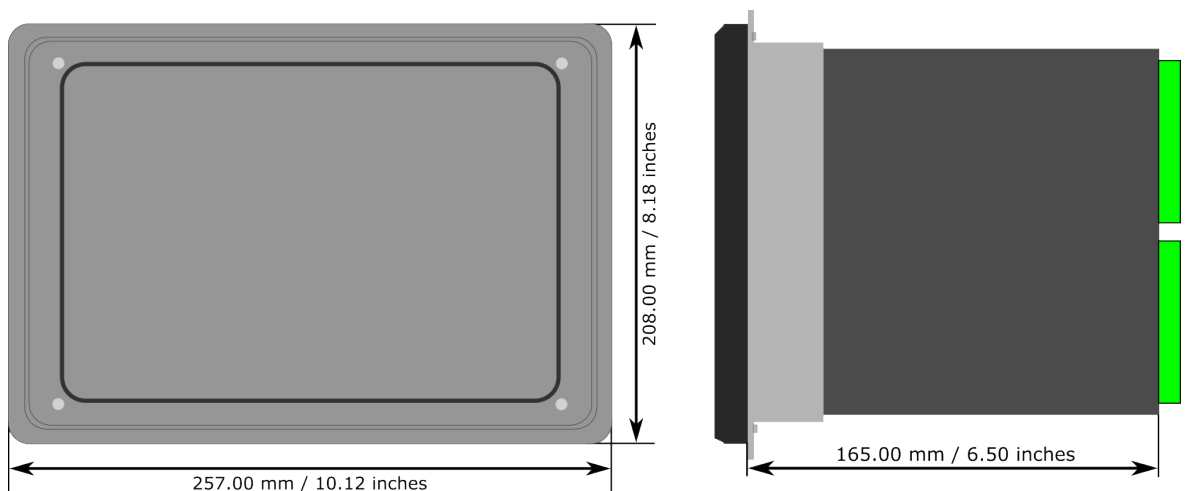


Figure. 7.6 - 217. Device installation.

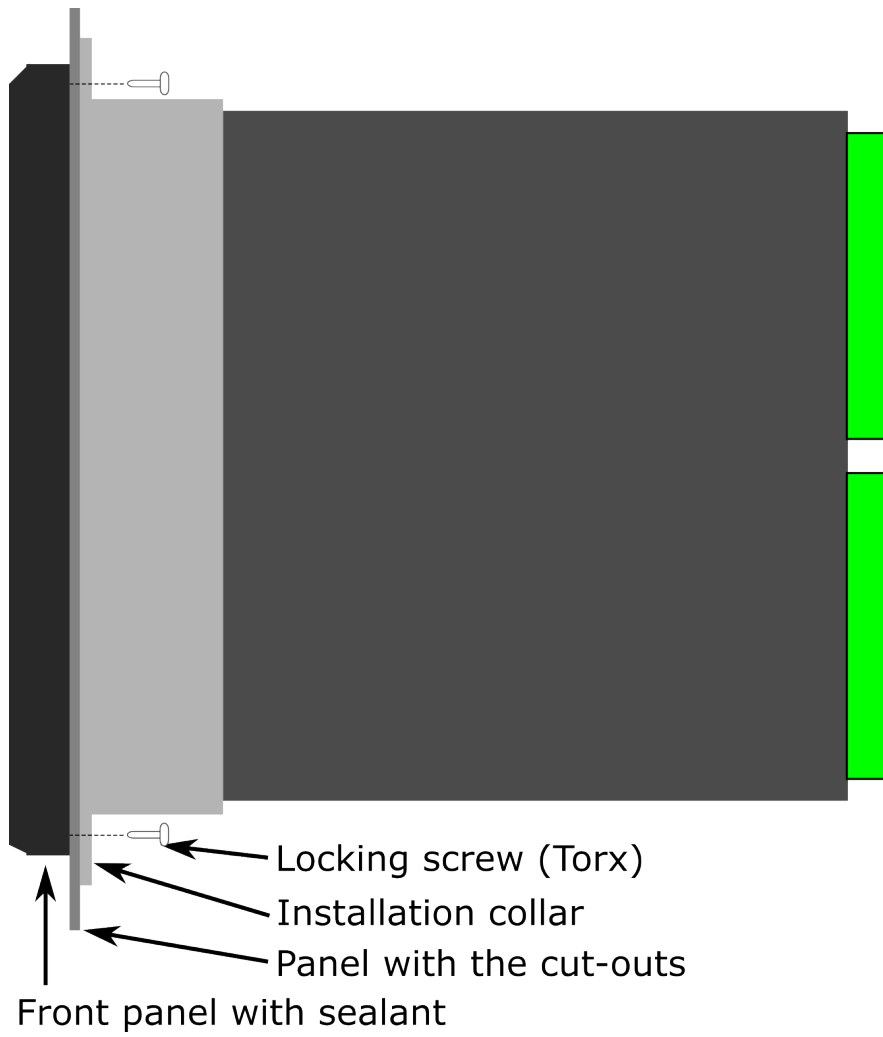
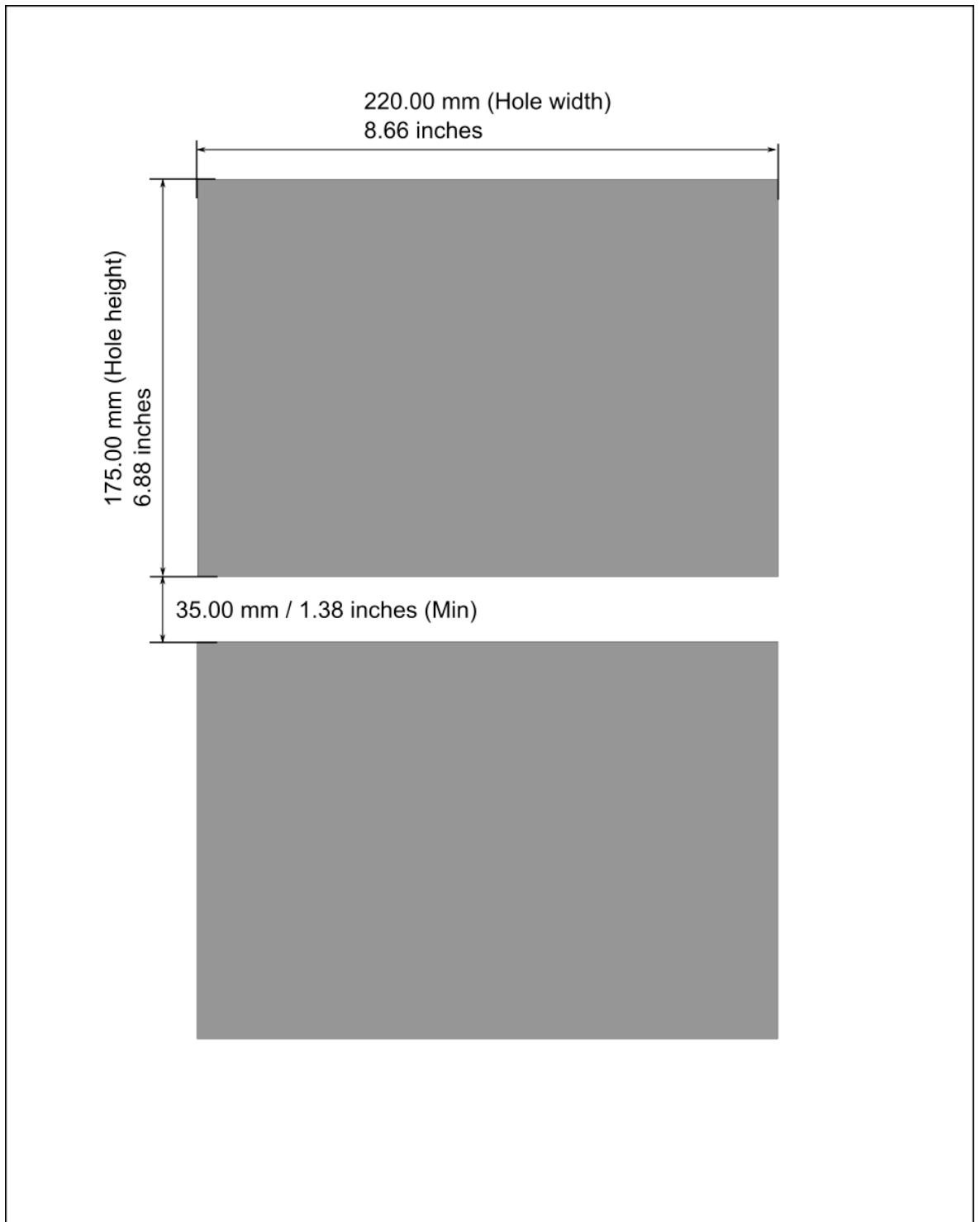


Figure. 7.6 - 218. Panel cut-out and spacing of the devices.



8 Technical data

8.1 Hardware

8.1.1 Measurements

8.1.1.1 Current measurement

Table. 8.1.1.1 - 354. Technical data for the current measurement module.

General information	
Spare part code	#SP-2XX-CM
Compatibility	AQ-210 and AQ-250 series models
Connections	
Measurement channels/CT inputs	Three phase current inputs: IL1 (A), IL2 (B), IL3 (C) Two residual current inputs: Coarse residual current input I01, Fine residual current input I02
Phase current inputs (A, B, C)	
Sample rate	64 samples per cycle in frequency range 6...75Hz
Rated current I_N	5 A (configurable 0.2...10 A)
Thermal withstand	20 A (continuous) 100 A (for 10 s) 500 A (for 1 s) 1250 A (for 0.01 s)
Frequency measurement range	From 6...75Hz fundamental, up to the 31 st harmonic current
Current measurement range	25 mA...250 A (RMS)
Current measurement inaccuracy	$0.005...4.000 \times I_N < \pm 0.5 \%$ or $< \pm 15 \text{ mA}$ $4...20 \times I_N < \pm 0.5 \%$ $20...50 \times I_N < \pm 1.0 \%$
Angle measurement inaccuracy	$< \pm 0.2^\circ$ ($I > 0.1 \text{ A}$) $< \pm 1.0^\circ$ ($I \leq 0.1 \text{ A}$)
Burden (50/60 Hz)	$< 0.1 \text{ VA}$
Transient overreach	$< 8 \%$
Coarse residual current input (I01)	
Rated current I_N	1 A (configurable 0.1...10 A)

Thermal withstand	25 A (continuous) 100 A (for 10 s) 500 A (for 1 s) 1250 A (for 0.01 s)
Frequency measurement range	From 6...75 Hz fundamental, up to the 31 st harmonic current
Current measurement range	5 mA...150 A (RMS)
Current measurement inaccuracy	0.002...10.000 × I _N < ±0.5 % or < ±3 mA 10...150 × I _N < ±0.5 %
Angle measurement inaccuracy	< ±0.2° (I > 0.05 A) < ±1.0° (I ≤ 0.05 A)
Burden (50/60Hz)	<0.1 VA
Transient overreach	<5 %
Fine residual current input (I02)	
Rated current I _N	0.2 A (configurable 0.001...10 A)
Thermal withstand	25 A (continuous) 100 A (for 10 s) 500 A (for 1 s) 1250 A (for 0.01 s)
Frequency measurement range	From 6...75 Hz fundamental, up to the 31 st harmonic current
Current measurement range	1 mA...75 A (RMS)
Current measurement inaccuracy	0.002...25.000 × I _N < ±0.5 % or < ±0.6 mA 25...375 × I _N < ±1.0 %
Angle measurement inaccuracy	< ±0.2° (I > 0.01 A) < ±1.0° (I ≤ 0.01 A)
Burden (50/60Hz)	<0.1 VA
Transient overreach	<5 %
Terminal block connection	
Terminal block	Phoenix Contact FRONT 4-H-6,35
Solid or stranded wire Maximum wire diameter	4 mm ²



NOTICE!

Current measurement accuracy has been verified with 50/60 Hz.

The amplitude difference is 0.2 % and the angle difference is 0.5 degrees higher at 16.67 Hz and other frequencies.

8.1.1.2 Voltage measurement

Table. 8.1.1.2 - 355. Technical data for the voltage measurement module.

General information	
Spare part code	#SP-2XX-VT
Compatibility	AQ 200 series and AQ 250 series models
Connection	
Measurement channels/VT inputs	4 independent VT inputs (U1, U2, U3 and U4)
Measurement	
Sample rate	64 samples per cycle in frequency range 6...75Hz
Voltage measuring range	0.50...480.00 V (RMS)
Voltage measurement inaccuracy	1...2 V $\pm 1.5\%$ 2...10 V $\pm 0.5\%$ 10...480 V $\pm 0.35\%$
Angle measurement inaccuracy	± 0.2 degrees (15...300 V) ± 1.5 degrees (1...15 V)
Voltage measurement bandwidth (freq.)	7...75 Hz fundamental, up to the 31 st harmonic voltage
Terminal block connection	
Terminal block	Phoenix Contact PC 5/8-STCL1-7.62
Solid or stranded wire Maximum wire diameter	6 mm ²
Input impedance	$\sim 24.5\text{ M}\Omega$
Burden (50/60 Hz)	<0.02 VA
Thermal withstand	630 V _{RMS} (continuous)



NOTICE!

Voltage measurement accuracy has been verified with 50/60 Hz.

The amplitude difference is 0.2 % and the angle difference is 0.5 degrees higher at 16.67 Hz and other frequencies.

8.1.1.3 Voltage memory

Table. 8.1.1.3 - 356. Technical data for the voltage memory function.

Measurement inputs	
Voltage inputs	U _{L1} , U _{L2} , U _{L3} U _{L12} , U _{L23} , U _{L31} + U ₀

Current inputs (back-up frequency)	Phase current inputs: I _{L1} (A), I _{L2} (B), I _{L3} (C)
Pick-up	
Pick-up voltage setting Pick-up current setting (optional)	2.00...50.00 %U _N , setting step 0.01 × %U _N 0.01...50.00 × I _N , setting step 0.01 × I _N
Inaccuracy: - Voltage - Current	±1.5 %U _{SET} or ±30 mV ±0.5 %I _{SET} or ±15 mA (0.10...4.0 × I _{SET})
Operation time	
Angle memory activation delay	<20 ms (typically 5 ms)
Maximum active time	0.020...50.000 s, setting step 0.005 s
Inaccuracy: - Definite time (U _M /U _{SET} ratio >1.05)	±1.0 % or ±35 ms
Angle memory	
Angle drift while voltage is absent	±1.0° per 1 second
Reset	
Reset ratio: - Voltage memory (voltage) - Voltage memory (current)	103 % of the pick-up voltage setting 97 % of the pick-up current setting
Reset time	<50 ms

Note!

- Voltage memory is activated only when all line voltages fall below set pick-up value.
- Voltage memory activation captures healthy situation voltage angles, one cycle before actual activation (50Hz/20ms before “bolted” fault)

8.1.1.4 Power and energy measurement

Table. 8.1.1.4 - 357. Power and energy measurement accuracy

Power measurement P, Q, S	Frequency range 6...75 Hz
Inaccuracy	0.3 % <1.2 × I _N or 3 VA secondary 1.0 % >1.2 × I _N or 3 VA secondary
Energy measurement	Frequency range 6...75 Hz
Energy and power metering inaccuracy	0.5% down to 1A RMS (50/60Hz) as standard 0.2% down to 1A RMS (50/60Hz) option available (see the order code for details)

8.1.1.5 Frequency measurement

Table. 8.1.1.5 - 358. Frequency measurement accuracy.

Frequency measurement performance	
Frequency measuring range	6...75 Hz fundamental, up to the 31 st harmonic current or voltage
Inaccuracy	10 mHz

8.1.2 CPU & Power supply

Table. 8.1.2 - 359. General information for the CPU module.

General information	
Spare part code	#SP-250-CPU
Compatibility	AQ-250 series models

8.1.2.1 Auxiliary voltage

Table. 8.1.2.1 - 360. Power supply model A

Rated values	
Rated auxiliary voltage	80...265 V (AC/DC)
Power consumption	< 20 W < 40 W
Maximum permitted interrupt time	< 40 ms with 110 VDC
DC ripple	< 15 %
Terminal block connection	
Terminal block	Phoenix Contact MSTB 2,5/5-ST-5,08
Solid or stranded wire Maximum wire diameter	2.5 mm ²
Other	
Minimum recommended fuse rating	MCB C2

Table. 8.1.2.1 - 361. Power supply model B

Rated values	
Rated auxiliary voltage	18...72 VDC
Power consumption	< 20 W < 40 W

Maximum permitted interrupt time	< 40 ms with 24 VDC
DC ripple	< 15 %
Terminal block connection	
Terminal block	Phoenix Contact MSTB 2,5/5-ST-5,08
Solid or stranded wire Maximum wire diameter	2.5 mm ²
Other	
Minimum recommended fuse rating	MCB C2

8.1.2.2 CPU communication ports

Table. 8.1.2.2 - 362. Front panel local communication port.

Port	
Port media	Copper Ethernet RJ-45
Number of ports	1
Port protocols	PC-protocols FTP Telnet
Features	
Data transfer rate	100 MB/s
System integration	Cannot be used for system protocols, only for local programming

Table. 8.1.2.2 - 363. Rear panel system communication port A.

Port	
Port media	Copper Ethernet RJ-45
Number of ports	1
Features	
Port protocols	IEC 61850 IEC 104 Modbus/TCP DNP3 FTP Telnet
Data transfer rate	100 MB/s
System integration	Can be used for system protocols and for local programming

Table. 8.1.2.2 - 364. Rear panel system communication port B.

Port	
Port media	Copper RS-485
Number of ports	1
Features	
Port protocols	Modbus/RTU IEC 103 IEC 101 DNP3 SPA
Data transfer rate	65 580 kB/s
System integration	Can be used for system protocols

8.1.2.3 CPU digital inputs

Table. 8.1.2.3 - 365. CPU model-isolated digital inputs, with thresholds defined by order code.

Rated values	
Rated auxiliary voltage	265 V (AC/DC)
Nominal voltage	Order code defined: 24, 110, 220 V (AC/DC)
Pick-up threshold Release threshold	Order code defined: 19, 90, 170 V Order code defined: 14, 65, 132 V
Scanning rate	5 ms
Settings	
Pick-up delay	Software settable: 0...1800 s
Polarity	Software settable: Normally On/Normally Off
Current drain	2 mA
Terminal block connection	
Terminal block	Phoenix Contact MSTB 2,5/5-ST-5,08
Solid or stranded wire Maximum wire diameter	2.5 mm ²

8.1.2.4 CPU digital outputs

Table. 8.1.2.4 - 366. Digital outputs (Normally Open)

Rated values	
Rated auxiliary voltage	265 V (AC/DC)

Continuous carry	5 A
Make and carry 0.5 s Make and carry 3 s	30 A 15 A
Breaking capacity, DC (L/R = 40 ms) at 48 VDC at 110 VDC at 220 VDC	1 A 0.4 A 0.2 A
Control rate	5 ms
Settings	
Polarity	Software settable: Normally Open / Normally Closed
Terminal block connection	
Terminal block	Phoenix Contact MSTB 2,5/5-ST-5,08
Solid or stranded wire Maximum wire diameter	2.5 mm ²

Table. 8.1.2.4 - 367. Digital outputs (Change-Over)

Rated values	
Rated auxiliary voltage	265 V (AC/DC)
Continuous carry	2.5 A
Make and carry 0.5 s Make and carry 3 s	30 A 15 A
Breaking capacity, DC (L/R = 40 ms) at 48 VDC at 110 VDC at 220 VDC	1 A 0.3 A 0.15 A
Control rate	5 ms
Settings	
Polarity	Software settable: Normally Open / Normally Closed
Terminal block connection	
Terminal block	Phoenix Contact MSTB 2,5/5-ST-5,08
Solid or stranded wire Maximum wire diameter	2.5 mm ²

8.1.3 Option cards

8.1.3.1 Digital input module

Table. 8.1.3.1 - 368. Technical data for the digital input module.

General information	
Spare part code	#SP-250-DI8
Compatibility	AQ-250 series models
Rated values	
Rated auxiliary voltage	5...265 V (AC/DC)
Current drain	2 mA
Scanning rate Activation/release delay	5 ms 5...11 ms
Settings	
Pick-up threshold Release threshold	Software settable: 16...200 V, setting step 1 V Software settable: 10...200 V, setting step 1 V
Pick-up delay	Software settable: 0...1800 s
Drop-off delay	Software settable: 0...1800 s
Polarity	Software settable: Normally On/Normally Off
Terminal block connection	
Terminal block	Phoenix Contact MSTB 2,5/5-ST-5,08
Solid or stranded wire Maximum wire diameter	2.5 mm ²

8.1.3.2 Digital output module

Table. 8.1.3.2 - 369. Technical data for the digital output module.

General information	
Spare part code	#SP-250-DO5
Compatibility	AQ-250 series models
Rated values	
Rated auxiliary voltage	265 V (AC/DC)
Continuous carry	5 A
Make and carry 0.5 s Make and carry 3 s	30 A 15 A

Breaking capacity, DC (L/R = 40 ms) at 48 VDC at 110 VDC at 220 VDC	1 A 0.4 A 0.2 A
Control rate	5 ms
Settings	
Polarity	Software settable: Normally On/Normally Off
Terminal block connection	
Terminal block	Phoenix Contact MSTB 2,5/5-ST-5,08
Solid or stranded wire Maximum wire diameter	2.5 mm ²

8.1.3.3 Point sensor arc protection module

Table. 8.1.3.3 - 370. Technical data for the point sensor arc protection module.

General information	
Spare part code	#SP-2XX-ARC
Compatibility	AQ-200 series & AQ-250 series models
Connections	
Input arc point sensor channels	S1, S2, S3, S4 (pressure and light, or light only)
Sensors per channel	3
Performance	
Pick-up light intensity	8, 25 or 50 kLx (the sensor is selectable in the order code)
Point sensor detection radius	180 degrees
Start and instant operating time (light only)	Typically <5 ms with dedicated semiconductor outputs (HSO) Typically <10 ms regular output relays

Table. 8.1.3.3 - 371. High-Speed Outputs (HSO1...2)

Rated values	
Rated auxiliary voltage	250 VDC
Continuous carry	2 A
Make and carry 0.5 s Make and carry 3 s	15 A 6 A
Breaking capacity, DC (L/R = 40 ms)	1 A/110 W
Control rate	5 ms
Operation delay	<1 ms

Polarity	Normally Off
Contact material	Semiconductor
Terminal block connection	
Terminal block	Phoenix Contact MSTB 2,5/5-ST-5,08
Solid or stranded wire Maximum wire diameter	2.5 mm ²

Table. 8.1.3.3 - 372. Binary input channel

Rated values	
Voltage withstand	265 VDC
Nominal voltage Pick-up threshold Release threshold	24 VDC ≥16 VDC ≤15 VDC
Scanning rate	5 ms
Polarity	Normally Off
Current drain	3 mA
Terminal block connection	
Terminal block	Phoenix Contact MSTB 2,5/5-ST-5,08
Solid or stranded wire Maximum wire diameter	2.5 mm ²

NOTE! Polarity has to be correct.

8.1.3.4 Milliampere module (mA out & mA in)

Table. 8.1.3.4 - 373. Technical data for the milliampere module.

General information	
Spare part code	#SP-2XX-MA
Compatibility	AQ-200 series & AQ-250 series models
Signals	
Output magnitudes Input magnitudes	4 × mA output signal (DC) 1 × mA input signal (DC)
mA input	
Range (hardware) Range (measurement) Inaccuracy	0...33 mA 0...24 mA ±0.1 mA

Update cycle Response time @ 5 ms cycle Update cycle time inaccuracy	5...10 000 ms, setting step 5 ms ~ 15 ms (13...18 ms) Max. +20 ms above the set cycle
mA input scaling range Output scaling range	0...4000 mA -1 000 000.0000...1 000 000.0000, setting step 0.0001
mA output	
Inaccuracy @ 0...24 mA	±0.01 mA
Response time @ 5 ms cycle [fixed]	< 5 ms
mA output scaling range Source signal scaling range	0...24 mA, setting step 0.001 mA -1 000 000.000...1 000 000.0000, setting step 0.0001

8.1.3.5 RTD input module

Table. 8.1.3.5 - 374. Technical data for the RTD input module.

General information	
Spare part code	#SP-2xx-RTD
Compatibility	AQ-200 series & AQ-250 series models
Channels 1-8	
2/3/4-wire RTD	
Pt100 or Pt1000	

8.1.3.6 RS-232 & serial fiber communication module

Table. 8.1.3.6 - 375. Technical data for the RS-232 & serial fiber communication module.

General information	
PP Spare part code	#SP-2XX-232PP
PG Spare part code	#SP-2XX-232PG
GP Spare part code	#SP-2XX-232GP
GG Spare part code	#SP-2XX-232GG
Compatibility	AQ-200 series & AQ-250 series models
Ports	
RS-232	
Serial fiber (GG/PP/GP/PG)	
Serial port wavelength	
660 nm	

Cable type
1 mm plastic fiber

8.1.3.7 Double LC 100 Mbps Ethernet communication module

Table. 8.1.3.7 - 376. Technical data for the double LC 100 Mbps Ethernet communication module.

General information	
Spare part code	#SP-2XX-2XLC
Compatibility	AQ-200 series & AQ-250 series models
Protocols	
Protocols	HSR and PRP
Ports	
Quantity of fiber ports	2
Communication port C & D	LC fiber connector Wavelength 1300 nm
Fiber cable	50/125 µm or 62.5/125 µm multimode (glass)

8.1.3.8 Double ST 100 Mbps Ethernet communication module

Table. 8.1.3.8 - 377. Technical data for the double ST 100 Mbps Ethernet communication module.

General information	
Spare part code	#SP-2XX-2XST
Compatibility	AQ-200 series & AQ-250 series models
Dimensions	74 mm X 179 mm
Ports	ST connectors (2) and IRIG-B connector (1)
Protocols	
Protocols	IEC61850, DNP/TCP, Modbus/TCP, IEC104 & FTP
ST connectors	
Connector type	Duplex ST connectors 62.5/125 µm or 50/125 µm multimode fiber 100BASE-FX
Transmitter wavelength	1260...1360 nm (nominal: 1310 nm)
Receiver wavelength	1100...1600 nm
Maximum distance	2 km
IRIG-B Connector	

Connector type	Phoenix Contact MC 1,5/ 2-ST-3,5 BD:1-2
----------------	---

8.1.4 Display

Table. 8.1.4 - 378. Technical data for the HMI TFT display.

General information	
Spare part code	#SP-200-DISP
Compatibility	AQ-250 series models
Dimensions and resolution	
Number of dots/resolution	800 x 480
Size	154.08 × 85.92 mm (6.06 × 3.38 in)
Display	
Type of display	TFT
Color	RGB color

8.2 Functions

8.2.1 Protection functions

8.2.1.1 Non-directional overcurrent protection ($I>$; 50/51)

Table. 8.2.1.1 - 379. Technical data for the non-directional overcurrent function.

Measurement inputs	
Current inputs	Phase current inputs: I_{L1} (A), I_{L2} (B), I_{L3} (C)
Current input magnitudes	RMS phase currents TRMS phase currents Peak-to-peak phase currents
Pick-up	
Pick-up current setting	$0.10 \dots 50.00 \times I_n$, setting step $0.01 \times I_n$
Inrush 2nd harmonic blocking	$0.10 \dots 50.00 \% I_{fund}$, setting step $0.01 \% I_{fund}$
Inaccuracy: - Current - 2 nd harmonic blocking	$\pm 0.5 \% I_{set}$ or $\pm 15 \text{ mA}$ ($0.10 \dots 4.0 \times I_{set}$) $\pm 1.0 \%$ -unit of the 2 nd harmonic setting
Operation time	
Definite time function operating time setting	$0.00 \dots 1800.00 \text{ s}$, setting step 0.005 s

Inaccuracy: - Definite time: I_m/I_{set} ratio > 3 - Definite time: I_m/I_{set} ratio = 1.05...3	$\pm 1.0\%$ or ± 20 ms $\pm 1.0\%$ or ± 30 ms
IDMT setting parameters: - k Time dial setting for IDMT - A IDMT constant - B IDMT constant - C IDMT constant	0.01...25.00, step 0.01 0...250.0000, step 0.0001 0...5.0000, step 0.0001 0...250.0000, step 0.0001
Inaccuracy: - IDMT operating time - IDMT minimum operating time	$\pm 1.5\%$ or ± 20 ms ± 20 ms
Retardation time (overshoot)	<30 ms
Instant operation time	
Start time and instant operation time (trip): - I_m/I_{set} ratio = 2 - I_m/I_{set} ratio = 5 - I_m/I_{set} ratio = 10	Typically 25 ms Typically 16 ms Typically 12 ms
Reset	
Reset ratio	97 % of the pick-up current setting
Reset time setting Inaccuracy: Reset time	0.010...10.000 s, step 0.005 s $\pm 1.0\%$ or ± 50 ms
Instant reset time and start-up reset	<50 ms

Note!

- The release delay does not apply to phase-specific tripping.

8.2.1.2 Non-directional earth fault protection ($I_0 >$; 50N/51N)

Table. 8.2.1.2 - 380. Technical data for the non-directional earth fault function.

Measurement inputs	
Current input (selectable)	Residual current channel I_{01} (Coarse) Residual current channel I_{02} (Fine) Calculated residual current: I_{L1} (A), I_{L2} (B), I_{L3} (C)
Current input magnitudes	RMS residual current (I_{01} , I_{02} or calculated I_0) TRMS residual current (I_{01} or I_{02}) Peak-to-peak residual current (I_{01} or I_{02})
Pick-up	
Used magnitude	Measured residual current I_{01} (1 A) Measured residual current I_{02} (0.2 A) Calculated residual current I_{0Calc} (5 A)
Pick-up current setting	$0.0001 \dots 40.00 \times I_n$, setting step $0.0001 \times I_n$

Inaccuracy: - Starting I01 (1 A) - Starting I02 (0.2 A) - Starting I0Calc (5 A)	$\pm 0.5 \% I_{0\text{set}}$ or $\pm 3 \text{ mA}$ ($0.005 \dots 10.0 \times I_{\text{set}}$) $\pm 1.5 \% I_{0\text{set}}$ or $\pm 1.0 \text{ mA}$ ($0.005 \dots 25.0 \times I_{\text{set}}$) $\pm 1.0 \% I_{0\text{set}}$ or $\pm 15 \text{ mA}$ ($0.005 \dots 4.0 \times I_{\text{set}}$)
Operating time	
Definite time function operating time setting	0.00...1800.00 s, setting step 0.005 s
Inaccuracy: - Definite time: I_m/I_{set} ratio > 3 - Definite time: I_m/I_{set} ratio = 1.05...3	$\pm 1.0 \%$ or $\pm 20 \text{ ms}$ $\pm 1.0 \%$ or $\pm 30 \text{ ms}$
IDMT setting parameters: - k Time dial setting for IDMT - A IDMT constant - B IDMT constant - C IDMT constant	0.01...25.00, step 0.01 0...250.0000, step 0.0001 0...5.0000, step 0.0001 0...250.0000, step 0.0001
Inaccuracy: - IDMT operating time - IDMT minimum operating time	$\pm 1.5 \%$ or $\pm 20 \text{ ms}$ $\pm 20 \text{ ms}$
Retardation time (overshoot)	<30 ms
Instant operation time	
Start time and instant operation time (trip): - I_m/I_{set} ratio > 3.5 - I_m/I_{set} ratio = 1.05...3.5	<50 ms (typically 35 ms) <55 ms
Reset	
Reset ratio	97 % of the pick-up current setting
Reset time setting Inaccuracy: Reset time	0.010...10.000 s, step 0.005 s $\pm 1.0 \%$ or $\pm 50 \text{ ms}$
Instant reset time and start-up reset	<50 ms

Note!

- The operation and reset time accuracy does not apply when the measured secondary current in I02 is 1...20 mA. The pick-up is tuned to be more sensitive and the operation times vary because of this.

8.2.1.3 Directional overcurrent protection ($I_{\text{dir}} >$; 67)

Table. 8.2.1.3 - 381. Technical data for the directional overcurrent function.

Input signals	
Current inputs	Phase current inputs: I_{L1} (A), I_{L2} (B), I_{L3} (C)
Current input magnitudes	RMS phase currents TRMS phase currents Peak-to-peak phase currents
Current input calculations	Positive sequence current angle

Voltage inputs	U_{L1}, U_{L2}, U_{L3} $U_{L12}, U_{L23}, U_{L31} + U_0$
Voltage input calculations	Positive sequence voltage angle
Pick-up	
Characteristic direction	Directional, non-directional
Operating sector center	-180.0...180.0 deg, setting step 0.1 deg
Operating sector size (+/-)	1.00...170.00 deg, setting step 0.10 deg
Pick-up current setting	0.10...40.00 $\times I_n$, setting step 0.01 $\times I_n$
Inaccuracy: - Current - U1/I1 angle (U > 15 V) - U1/I1 angle (U = 1...15 V)	$\pm 0.5 \% I_{set}$ or ± 15 mA (0.10...4.0 $\times I_{set}$) $\pm 0.20^\circ$ $\pm 1.5^\circ$
Operation time	
Definite time function operating time setting	0.00...1800.00 s, setting step 0.005 s
Inaccuracy: - Definite time: I_m/I_{set} ratio > 3 - Definite time: I_m/I_{set} ratio = 1.05...3	$\pm 1.0 \%$ or ± 20 ms $\pm 1.0 \%$ or ± 35 ms
IDMT setting parameters: - k Time dial setting for IDMT - A IDMT constant - B IDMT constant - C IDMT constant	0.01...25.00, step 0.01 0...250.0000, step 0.0001 0...5.0000, step 0.0001 0...250.0000, step 0.0001
Inaccuracy: - IDMT operating time - IDMT minimum operating time	$\pm 1.5 \%$ or ± 20 ms ± 20 ms
Instant operation time	
Start time and instant operation time (trip): - I_m/I_{set} ratio > 3 - I_m/I_{set} ratio = 1.05...3	<40 ms (typically 30 ms) <50 ms
Reset	
Reset ratio: - Current - U1/I1 angle	97 % of the pick-up current setting 2.0°
Reset time setting Inaccuracy: Reset time	0.010...10.000 s, step 0.005 s $\pm 1.0 \%$ or ± 50 ms
Instant reset time and start-up reset	<50 ms

Note!

- The minimum voltage for direction solving is 1.0 V secondary. During three-phase short-circuits the angle memory is active for 0.5 seconds in case the voltage drops below 1.0 V.

8.2.1.4 Directional earth fault protection (I0dir>; 67N/32N)

Table. 8.2.1.4 - 382. Technical data for the directional earth fault function.

Measurement inputs	
Current input (selectable)	Residual current channel I ₀₁ (Coarse) Residual current channel I ₀₂ (Fine) Calculated residual current: I _{L1} (A), I _{L2} (B), I _{L3} (C)
Current input magnitudes	RMS residual current (I ₀₁ , I ₀₂ or calculated I ₀) TRMS residual current (I ₀₁ or I ₀₂) Peak-to-peak residual current (I ₀₁ or I ₀₂)
Voltage input (selectable)	Residual voltage from U ₃ or U ₄ voltage channel Residual voltage calculated from U _{L1} , U _{L2} , U _{L3}
Voltage input magnitudes	RMS residual voltage U ₀ Calculated RMS residual voltage U ₀
Pick-up	
Characteristic direction	Unearthed (Varmetric 90°) Petersen coil GND (Wattmetric 180°) <i>Earthed</i> (Adjustable sector)
When the <i>earthed</i> mode is active: - Tripping area center - Tripping area size (+/-)	0.00...360.00 deg, setting step 0.10 deg 45.00...135.00 deg, setting step 0.10 deg
Pick-up current setting Pick-up voltage setting	0.005...40.00 × I _n , setting step 0.001 × I _n 1.00...75.00 %U _{0n} , setting step 0.01 %U _{0n}
Inaccuracy: - Starting I ₀₁ (1 A) - Starting I ₀₂ (0.2 A) - Starting I _{0Calc} (5 A) - Voltage U ₀ and U _{0Calc} - U ₀ /I ₀ angle (U > 15 V) - U ₀ /I ₀ angle (U = 1...15 V)	±0.5 %I _{0set} or ±3 mA (0.005...10.0 × I _{set}) ±1.5 %I _{0set} or ±1.0 mA (0.005...25.0 × I _{set}) ±1.5 %I _{0set} or ±15 mA (0.005...4.0 × I _{set}) ±1.0 %U _{0set} or ±30 mV ±0.2° (I _{0Calc} ±1.0°) ±1.0°
Operation time	
Definite time function operating time setting	0.00...1800.00 s, setting step 0.005 s
Inaccuracy: - Definite time (I _m /I _{set} ratio 1.05→)	±1.0 % or ±45 ms
IDMT setting parameters: - k Time dial setting for IDMT - A IDMT constant - B IDMT constant - C IDMT constant	0.01...25.00, step 0.01 0...250.0000, step 0.0001 0...5.0000, step 0.0001 0...250.0000, step 0.0001
Inaccuracy: - IDMT operating time - IDMT minimum operating time	±1.5 % or ±25 ms ±20 ms
Instant operation time	

Start time and instant operation time (trip): - I_m/I_{set} ratio > 3 - I_m/I_{set} ratio = 1.05...3	<55 ms (typically 45 ms) <65 ms
Reset	
Current and voltage reset U0/I0 angle	97 % of the pick-up current and voltage setting 2.0°
Reset time setting Inaccuracy: Reset time	0.000...150.000 s, step 0.005 s ±1.0 % or ±45 ms
Instant reset time and start-up reset	<50 ms

8.2.1.5 Negative sequence overcurrent/ phase current reversal/ current unbalance protection ($I_{2>}$; 46/46R/46L)

Table. 8.2.1.5 - 383. Technical data for the current unbalance function.

Measurement inputs	
Current inputs	Phase current inputs: I_{L1} (A), I_{L2} (B), I_{L3} (C)
Current input calculations	Positive sequence current (I_1) Negative sequence current (I_2)
Pick-up	
Used magnitude	Negative sequence component I_{2pu} Relative unbalance I_2/I_1
Pick-up setting	0.01...40.00 × I_n , setting step 0.01 × I_n (I_{2pu}) 1.00...200.00 %, setting step 0.01 % (I_2/I_1)
Minimum phase current (at least one phase above)	0.01...2.00 × I_n , setting step 0.01 × I_n
Inaccuracy: - Starting I_{2pu} - Starting I_2/I_1	±1.0 %-unit or ±100 mA (0.10...4.0 × I_n) ±1.0 %-unit or ±100 mA (0.10...4.0 × I_n)
Operating time	
Definite time function operating time setting	0.00...1800.00 s, setting step 0.005 s
Inaccuracy: - Definite time (I_m/I_{set} ratio > 1.05)	±1.5 % or ±60 ms
IDMT setting parameters: - k Time dial setting for IDMT - A IDMT Constant - B IDMT Constant - C IDMT Constant	0.01...25.00, step 0.01 0...250.0000, step 0.0001 0...5.0000, step 0.0001 0...250.0000, step 0.0001
Inaccuracy: - IDMT operating time - IDMT minimum operating time	±2.0 % or ±30 ms ±20 ms
Retardation time (overshoot)	<5 ms
Instant operation time	

Start time and instant operation time (trip): - I_M/I_{set} ratio > 1.05	<70 ms
Reset	
Reset ratio	97 % of the pick-up setting
Reset time setting Inaccuracy: Reset time	0.010...10.000 s, step 0.005 s ± 1.5 % or ± 60 ms
Instant reset time and start-up reset	<55 ms

8.2.1.6 Harmonic overcurrent protection (I_h >; 50H/51H/68H)

Table. 8.2.1.6 - 384. Technical data for the harmonic overcurrent function.

Measurement inputs	
Current inputs	Phase current inputs: I_{L1} (A), I_{L2} (B), I_{L3} (C) Residual current channel I_{01} (Coarse) Residual current channel I_{02} (Fine)
Pick-up	
Harmonic selection	2 nd , 3 rd , 4 th , 5 th , 6 th , 7 th , 9 th , 11 th , 13 th , 15 th , 17 th or 19 th
Used magnitude	Harmonic per unit ($\times I_N$) Harmonic relative (I_h/I_L)
Pick-up setting	0.05...2.00 $\times I_N$, setting step 0.01 $\times I_N$ ($\times I_N$) 5.00...200.00 %, setting step 0.01 % (I_h/I_L)
Inaccuracy: - Starting $\times I_N$ - Starting $\times I_h/I_L$	<0.03 $\times I_N$ (2 nd , 3 rd , 5 th) <0.03 $\times I_N$ tolerance to I_h (2 nd , 3 rd , 5 th)
Operation time	
Definite time function operating time setting	0.00...1800.00 s, setting step 0.005 s
Inaccuracy: - Definite time (I_M/I_{SET} ratio >1.05)	± 1.0 % or ± 35 ms
IDMT setting parameters: k Time dial setting for IDMT A IDMT constant B IDMT constant C IDMT constant	0.01...25.00, step 0.01 0...250.0000, step 0.0001 0...5.0000, step 0.0001 0...250.0000, step 0.0001
Inaccuracy: - IDMT operating time - IDMT minimum operating time	± 1.5 % or ± 20 ms ± 20 ms
Instant operation time	
Start time and instant operation time (trip): I_M/I_{SET} ratio >1.05	<50 ms
Reset	

Reset ratio	95 % of the pick-up setting
Reset time setting Inaccuracy: Reset time	0.010...10.000 s, step 0.005 s ±1.0 % or ±35 ms
Instant reset time and start-up reset	<50 ms

Note!

- Harmonics generally: The amplitude of the harmonic content has to be least $0.02 \times I_N$ when the relative mode (Ih/IL) is used.
- Blocking: To achieve fast activation for blocking purposes with the harmonic overcurrent stage, note that the harmonic stage may be activated by a rapid load change or fault situation. An intentional activation lasts for approximately 20 ms if a harmonic component is not present. The harmonic stage stays active if the harmonic content is above the pick-up limit.
- Tripping: When using the harmonic overcurrent stage for tripping, please ensure that the operation time is set to 20 ms (DT) or longer to avoid nuisance tripping caused by the above-mentioned reasons.

8.2.1.7 Circuit breaker failure protection (CBFP; 50BF/52BF)

Table. 8.2.1.7 - 385. Technical data for the circuit breaker failure protection function.

Measurement inputs	
Current inputs	Phase current inputs: I_{L1} (A), I_{L2} (B), I_{L3} (C) Residual current channel I_{01} (Coarse) Residual current channel I_{02} (Fine)
Current input magnitudes	RMS phase currents RMS residual current (I_{01} , I_{02} or calculated I_0)
Pick-up	
Monitored signals	Digital input status, digital output status, logical signals
Pick-up current setting: - I_{L1} ... I_{L3} - I_{01} , I_{02} , I_{0Calc}	$0.10 \dots 40.00 \times I_N$, setting step $0.01 \times I_N$ $0.005 \dots 40.00 \times I_N$, setting step $0.005 \times I_N$
Inaccuracy: - Starting phase current (5A) - Starting I_{01} (1 A) - Starting I_{02} (0.2 A) - Starting I_{0Calc} (5 A)	$\pm 0.5 \% I_{SET}$ or ± 15 mA ($0.10 \dots 4.0 \times I_{SET}$) $\pm 0.5 \% I_{0SET}$ or ± 3 mA ($0.005 \dots 10.0 \times I_{SET}$) $\pm 1.5 \% I_{0SET}$ or ± 1.0 mA ($0.005 \dots 25.0 \times I_{SET}$) $\pm 1.0 \% I_{0SET}$ or ± 15 mA ($0.005 \dots 4.0 \times I_{SET}$)
Operation time	
Definite time function operating time setting	0.050...1800.000 s, setting step 0.005 s
Inaccuracy: - Current criteria (I_M/I_{SET} ratio 1.05→) - DO or DI only	± 1.0 % or ± 55 ms ± 15 ms
Reset	
Reset ratio	97 % of the pick-up current setting
Reset time	<50 ms

8.2.1.8 Low-impedance or high-impedance restricted earth fault/ cable end differential protection ($I_{0d}>$; 87N)

Table. 8.2.1.8 - 386. Technical data for the restricted earth fault/cable end differential function.

Measurement inputs	
Current inputs	Phase current inputs: I_{L1} (A), I_{L2} (B), I_{L3} (C) Residual current channel I_{01} (Coarse) Residual current channel I_{02} (Fine)
Current input calculations	Calculated bias and residual differential currents
Pick-up	
Operating modes	Restricted earth fault Cable end differential
Characteristics	Biased differential with 3 settable sections and 2 slopes
Pick-up current sensitivity setting Slope 1 Slope 2 Bias (Turnpoint 1 & 2)	0.01...50.00 % (I_N), setting step 0.01 % 0.00...150.00 %, setting step 0.01 % 0.00...250.00 %, setting step 0.01 % 0.01...50.00 $\times I_N$, setting step 0.01 $\times I_N$
Inaccuracy - Starting	$\pm 3\%$ of the set pick-up value $> 0.5 \times I_N$ setting. ± 5 mA $< 0.5 \times I_N$ setting
Operation time	
Instant operation time $1.05 \times I_{SET}$	< 30 ms
Reset	
Reset ratio	No hysteresis
Reset time	< 40 ms

8.2.1.9 Overvoltage protection ($U>$; 59)

Table. 8.2.1.9 - 387. Technical data for the overvoltage function.

Measurement inputs	
Voltage inputs	U_{L1} , U_{L2} , U_{L3} U_{L12} , U_{L23} , U_{L31} (+ U_0)
Voltage input magnitudes	RMS line-to-line or line-to-neutral voltages
Pick-up	
Pick-up terms	1 voltage 2 voltages 3 voltages
Pick-up setting	50.00...150.00 % U_N , setting step 0.01 % U_N

Inaccuracy: - Voltage	$\pm 1.5 \% U_{SET}$
Operating time	
Definite time function operating time setting	0.00...1800.00 s, setting step 0.005 s
Inaccuracy: - Definite time (U_M/U_{SET} ratio 1.05 \rightarrow)	$\pm 1.0 \%$ or ± 35 ms
IDMT setting parameters: k Time dial setting for IDMT A IDMT constant B IDMT constant C IDMT constant	0.01...25.00, step 0.01 0...250.0000, step 0.0001 0...5.0000, step 0.0001 0...250.0000, step 0.0001
Inaccuracy: - IDMT operating time - IDMT minimum operating time	$\pm 1.5 \%$ or ± 20 ms ± 20 ms
Instant operation time	
Start time and instant operation time (trip): - U_M/U_{SET} ratio 1.05 \rightarrow	<50 ms
Reset	
Reset ratio	97 % of the pick-up voltage setting
Reset time setting Inaccuracy: Reset time	0.010...10.000 s, step 0.005 s $\pm 1.0 \%$ or ± 45 ms
Instant reset time and start-up reset	<50 ms

8.2.1.10 Undervoltage protection ($U < ; 27$)

Table. 8.2.1.10 - 388. Technical data for the undervoltage function.

Measurement inputs	
Voltage inputs	U_{L1}, U_{L2}, U_{L3} $U_{L12}, U_{L23}, U_{L31}$ (+ U_0)
Voltage input magnitudes	RMS line-to-line or line-to-neutral voltages
Pick-up	
Pick-up terms	1 voltage 2 voltages 3 voltages
Pick-up setting	0.00...120.00 % U_N , setting step 0.01 % U_N
Inaccuracy: - Voltage	$\pm 1.5 \% U_{SET}$ or ± 30 mV
Low voltage block	
Pick-up setting	0.00...80.00 % U_N , setting step 0.01 % U_N

Inaccuracy: - Voltage	$\pm 1.5 \% U_{SET}$ or ± 30 mV
Operation time	
Definite time function operating time setting	0.00...1800.00 s, setting step 0.005 s
Inaccuracy: - Definite time (U_M/U_{SET} ratio 1.05→)	$\pm 1.0 \%$ or ± 35 ms
IDMT setting parameters: k Time dial setting for IDMT A IDMT constant B IDMT constant C IDMT constant	0.01...25.00, step 0.01 0...250.0000, step 0.0001 0...5.0000, step 0.0001 0...250.0000, step 0.0001
Inaccuracy: - IDMT operating time - IDMT minimum operating time	$\pm 1.5 \%$ or ± 20 ms ± 20 ms
Instant operation time	
Start time and instant operation time (trip): - U_M/U_{SET} ratio 1.05→	<65 ms
Retardation time (overshoot)	<30 ms
Reset	
Reset ratio	103 % of the pick-up voltage setting
Reset time setting Inaccuracy: Reset time	0.010...10.000 s, step 0.005 s $\pm 1.0 \%$ or ± 45 ms
Instant reset time and start-up reset	<50 ms

Note!

- The low-voltage block is not in use when its pick-up setting is set to 0 %. The undervoltage function is in trip stage when the LV block is disabled and the device has no voltage injection.
- After the low voltage blocking condition, the undervoltage stage does not trip unless the voltage exceeds the pick-up setting first.

8.2.1.11 Neutral overvoltage protection ($U_0 >$; 59N)

Table. 8.2.1.11 - 389. Technical data for the neutral overvoltage function.

Measurement inputs	
Voltage input (selectable)	Residual voltage from U3 or U4 voltage channel Residual voltage calculated from U_{L1} , U_{L2} , U_{L3}
Voltage input magnitudes	RMS residual voltage U_0 Calculated RMS residual voltage U_0
Pick-up	
Pick-up voltage setting	1.00...50.00 % U_{0N} , setting step $0.01 \times I_N$

Inaccuracy: - Voltage U ₀ - Voltage U _{0Calc}	±1.5 %U _{0SET} or ±30 mV ±150 mV
Operation time	
Definite time function operating time setting	0.00...1800.00 s, setting step 0.005 s
Inaccuracy: - Definite time (U _{0M} /U _{0SET} ratio 1.05→)	±1.0 % or ±45 ms
IDMT setting parameters: k Time dial setting for IDMT A IDMT constant B IDMT constant C IDMT constant	0.01...25.00, step 0.01 0...250.0000, step 0.0001 0...5.0000, step 0.0001 0...250.0000, step 0.0001
Inaccuracy: - IDMT operating time - IDMT minimum operating time	±1.5 % or ±20 ms ±20 ms
Instant operation time	
Start time and instant operation time (trip): - U _{0M} /U _{0SET} ratio 1.05→	<50 ms
Reset	
Reset ratio	97 % of the pick-up voltage setting
Reset time setting Inaccuracy: Reset time	0.000 ... 150.000 s, step 0.005 s ±1.0 % or ±50 ms
Instant reset time and start-up reset	<50 ms

8.2.1.12 Sequence voltage protection (U₁/U₂>/<; 47/27P/59NP)

Table. 8.2.1.12 - 390. Technical data for the sequence voltage function.

Measurement inputs	
Voltage inputs	U _{L1} , U _{L2} , U _{L3} U _{L12} , U _{L23} , U _{L31} (+ U ₀)
Voltage input calculations	Positive sequence voltage (I1) Negative sequence voltage (I2)
Pick-up	
Pick-up setting	5.00...150.00 %U _N , setting step 0.01 %U _N
Inaccuracy: - Voltage	±1.5 %U _{SET} or ±30 mV
Low voltage block	
Pick-up setting	1.00...80.00 %U _N , setting step 0.01 %U _N
Inaccuracy: -Voltage	±1.5 %U _{SET} or ±30 mV

Operation time	
Definite time function operating time setting	0.00...1800.00 s, setting step 0.005 s
Inaccuracy -Definite Time (U_M/U_{SET} ratio 1.05→)	±1.0 % or ±35 ms
IDMT setting parameters: k Time dial setting for IDMT A IDMT constant B IDMT constant C IDMT constant	0.01...25.00, step 0.01 0...250.0000, step 0.0001 0...5.0000, step 0.0001 0...250.0000, step 0.0001
Inaccuracy: - IDMT operating time - IDMT minimum operating time	±1.5 % or ±20 ms ±20 ms
Instant operation time	
Start time and instant operation time (trip): - U_M/U_{SET} ratio <0.95/1.05→	<65 ms
Reset	
Reset ratio	97 or 103 % of the pick-up voltage setting
Reset time setting Inaccuracy: Reset time	0.010...10.000 s, step 0.005 s ±1.0 % or ±35 ms
Instant reset time and start-up reset	<50 ms

8.2.1.13 Overfrequency and underfrequency protection ($f > / <$; 81O/81U)

Table. 8.2.1.13 - 391. Technical data for the overfrequency and underfrequency function.

Input signals	
Sampling mode	Fixed Tracking
Frequency reference 1 Frequency reference 2 Frequency reference 3	CT11L1, CT21L1, VT1U1, VT2U1 CT11L2, CT21L2, VT1U2, VT2U2 CT11L3, CT21L3, VT1U3, VT2U3
Pick-up	
$f >$ pick-up setting $f <$ pick-up setting	10.00...70.00 Hz, setting step 0.01 Hz 7.00...65.00 Hz, setting step 0.01 Hz
Inaccuracy (sampling mode): - Fixed - Tracking	±20 mHz (50/60 Hz fixed frequency) ±20 mHz ($U > 30$ V secondary) ±20 mHz ($I > 30$ % of rated secondary)
Operation time	
Definite time function operating time setting	0.00...1800.00 s, setting step 0.005 s
Inaccuracy: - Definite time (I_M/I_{SET} ratio +/- 50 mHz)	±1.5 % or ±50 ms (max. step size: 100 mHz)

Instant operation time	
Start time and instant operation time (trip): - I_M/I_{SET} ratio +/- 50 mHz (Fixed) - I_M/I_{SET} ratio +/- 50 mHz (Tracking)	<70 ms (max. step size: 100 mHz) <3 cycles or <60 ms (max. step size: 100 mHz)
Reset	
Reset ratio	0.020 Hz
Instant reset time and start-up reset: - I_M/I_{SET} ratio +/- 50 mHz (Fixed) - I_M/I_{SET} ratio +/- 50 mHz (Tracking)	<110 ms (max. step size: 100 mHz) <3 cycles or <70 ms (max. step size: 100 mHz)

Note!

- The secondary voltage must exceed 2 volts or the current must exceed 0.25 amperes (peak-to-peak) in order for the function to measure frequency.
- The frequency is measured two seconds after a signal is received.
- The fixed frequency mode: When the fixed mode is used, the system's nominal frequency should be set to 50 or 60 Hz.
- The tracked frequency mode: When tracked mode is used, the system's nominal frequency can be anything between 7...75 Hz.

8.2.1.14 Rate-of-change of frequency protection (df/dt > / < ; 81R)

Table. 8.2.1.14 - 392. Technical data for the rate-of-change of frequency function.

Input signals	
Sampling mode	Fixed Tracking
Frequency reference 1 Frequency reference 2 Frequency reference 3	CT1IL1, CT2IL1, VT1U1, VT2U1 CT1IL2, CT2IL2, VT1U2, VT2U2 CT1IL3, CT2IL3, VT1U3, VT2U3
Pick-up	
df/dt > / < pick-up setting	0.15...1.00 Hz/s, setting step 0.01 Hz
f > limit	10.00...70.00 Hz, setting step 0.01 Hz
f < limit	7.00...65.00 Hz, setting step 0.01 Hz
Pick-up inaccuracy	
- df/dt	$\pm 5.0 \% I_{SET}$ or ± 20 mHz/s
- frequency	± 15 mHz ($U > 30$ V secondary) ± 20 mHz ($I > 30$ % of rated secondary)
Operation time	
Definite time function operating time setting	0.00...1800.00 s, setting step 0.005 s
Inaccuracy: - Definite time (I_M/I_{SET} ratio +/- 50 mHz)	± 1.5 % or ± 110 ms (max. step size: 100 mHz)

Start time and instant operation time (trip):	
- f_M/f_{SET} ratio +/- 20 mHz (overreach)	<200 ms
- f_M/f_{SET} ratio +/- 200 mHz (overreach)	<90 ms
Reset	
$f<$ and $f>$ frequency limit	± 0.020 Hz
df/dt	± 10.0 % of pick-up or 50 mHz/s
Instant reset time and start-up reset: - f_M/f_{SET} ratio +/- 50 mHz	<325 ms (max. step size: 100 mHz)

Note!

- Frequency is measured two seconds after a signal is received.

8.2.1.15 Power protection (P, Q, S) < 32)

Table. 8.2.1.15 - 393. Technical data for the power protection function.

Measurement inputs	
Current inputs	Phase current inputs: I_{L1} (A), I_{L2} (B), I_{L3} (C)
Voltage inputs	U_{L1} , U_{L2} , U_{L3} U_{L12} , U_{L23} , U_{L31} (+ U_0)
Calculated measurements	Three-phase active, reactive or apparent power (P, Q or S) value based on the chosen or set nominal amplitude.
Pick-up	
Comparator selection	> or <
> or <	-500.000...500.000 %/ MVA_N , setting step 0.005 %/ MVA_N
Inaccuracy: - Active, reactive, or apparent power	Typically <1.0 % P_{SET}
Operation time	
Definite time function operating time setting	0.00...1800.00 s, setting step 0.005 s
Inaccuracy: - Definite time (P_M/P_{SET} ratio 1.05→)	± 1.0 % or ± 35 ms
Instant operation time	
Start time and instant operation time (trip): - $P_{QS_M}/P_{QS_{SET}}$ ratio 1.05→	<40 ms
Reset	

Reset ratio	97 or 103 %PSET
Instant reset time and start-up reset	<40 ms

Note!

- The voltage measurement starts from 0.5 V and the current measurement from 25 mA. In case either or both are missing, the measured magnitude is forced to 0 MW/MVar/MVA. Please avoid using settings that should operate below the relay's current squelch limit (25 mA on the relay terminal).
- With very small under power pick-up settings time delay inaccuracy might double.

8.2.1.16 Motor start/ locked rotor monitoring (Ist>; 48/14)

Table. 8.2.1.16 - 394. Technical data for the motor start/locked rotor monitoring function.

Measurement inputs	
Current inputs	Phase current inputs: I _{L1} (A), I _{L2} (B), I _{L3} (C)
Current input magnitudes	RMS phase currents
Pick-up	
Pick-up current setting	0.10...40.00 × I _N , setting step 0.10 × I _N
Inaccuracy: - Current	±0.5 %I _{SET} or ±15 mA (0.10...4.0 × I _{SET})
Time settings	
Starting time setting	0.00...1800.00 s, setting step 0.005 s
Operating mode	Definite time or cumulative I ² t sum inverse operating time With or without a speed switch input Monitors only starts or both starts and stall
Start time	Max. 5 ms from the detected start-up or locked rotor situation
Inaccuracy: - Starting - Definite time operating time	±3% of the set pick-up value > 0.5 × I _N setting. 5 mA < 0.5 × I _N setting ±0.5 % or ±10 ms
Operation time	
Definite time function operating time setting	0.00...1800.00 s, setting step 0.005 s
Cumulative I ² t sum inverse operation time	0.00...1800.00 s, setting step 0.005 s
Inaccuracy: - Definite time (I _M /I _{SET} ratio 0.95)	±1.0 % or ±40 ms
Instant operation time	

Start time and instant operation time (trip): - I_M/I_{SET} ratio 1.05→	<55 ms
Reset	
Reset ratio	97 % of the pick-up current setting
Reset time setting Inaccuracy: Reset time	0.010 ... 150.000 s, step 0.005 s ±1.0 % or ±35 ms
Instant reset time and start-up reset	<55 ms

8.2.1.17 Machine thermal overload protection (TM>; 49M)

Table. 8.2.1.17 - 395. Technical data for the machine thermal overload protection function.

Measurement inputs	
Current inputs	Phase current inputs: I_{L1} (A), I_{L2} (B), I_{L3} (C)
Current input magnitudes	TRMS phase currents (up to the 31 st harmonic)
Pick-up (Heating)	
NPS bias factor (unbalance effect) Pick-up current setting Thermal alarm and trip level setting range Motor service factor	0.1 ... 10.0, setting step 0.1 0.10 ... 40.00 × I_N , setting step 0.01 × I_N 0.0 ... 150.0 %, setting step 0.1 % 0.01 ... 5.00 × I_N , setting step 0.01 × I_N
Cold condition: - Long heat T const (cold) - Short heat T const (cold)	0.0 ... 500.0 min, setting step 0.1 min 0.0 ... 500.0 min, setting step 0.1 min
Hot condition: - Long heat T const (hot) - Short heat T const (hot) - Hot condition theta limit (Cold → Hot spot)	0.0 ... 500.0 min, setting step 0.1 min 0.0 ... 500.0 min, setting step 0.1 min 0.00 ... 100.00 %, setting step 0.01 %
Reset (Cooling)	
Reset ratio (pick-up and alarms)	99 %
Stop condition: - Long cool T const (stop) - Short cool T const (stop) - Short cool T in use time	0.0 ... 500.0 min, setting step 0.1 min 0.0 ... 500.0 min, setting step 0.1 min 0.0 ... 3000.0 min, setting step 0.1 min
Run condition: - Long cool T const (stop)	0.0 ... 500.0 min, setting step 0.1 min
Operation time	
Definite time function operating time setting	0.0 ... 3600.0 s, setting step 0.1 s
Inaccuracy: - Pick-up and reset	±1.0 % or ±500 ms
Environmental settings	

Thermal replica temperature estimates	Selectable between °C and °F
Ambient temperature effect k min. and max. range Ambient temperature min. and max. range	Linear or manually set curve 0.01...5.00 × I _N , setting step 0.01 × I _N -60...500 deg, setting step 1 deg
Thermal model biasing (ambient): - Set ambient temperature - RTD	-60...500 deg, setting step 1 deg Used measured ambient value

8.2.1.18 Frequent start protection (N>; 66)

Table. 8.2.1.18 - 396. Technical data for the frequent start protection function.

Inputs	
Input magnitudes	Motor start monitor set start signals
Dependent on the motor thermal status	Yes
Settings	
Starts when cold	1...100 starts, step 1 start
Starts when hot	1...100 starts, step 1 start
Output data	
Monitor data	- Used starts - Available starts - Alarms, inhibits, blocks - Inhibit, alarm time on - Time since last start
Operation	
Start time	Max. 5 ms from the detected start-up
Inaccuracy	
Starting	±3% of the set pick-up value > 0.5 × I _N setting. 5 mA < 0.5 × I _N setting (from the motor start/locked rotor monitoring function)
Definite time operating time	±0.5 % or ±10 ms of the counter deduct

8.2.1.19 Non-directional undercurrent protection (I<; 37)

Table. 8.2.1.19 - 397. Technical data for the undercurrent function.

Measurement inputs	
Current inputs	Phase current inputs: I _{L1} (A), I _{L2} (B), I _{L3} (C)
Current input magnitudes	RMS phase currents
Pick-up	

Pick-up current setting	0.10...40.00 × I _N , setting step 0.10 × I _N
Inaccuracy: - Current	±0.5 %I _{SET} or ±15 mA (0.10...4.0 × I _{SET})
Operation time	
Definite time function operating time setting	0.00...150.00 s, setting step 0.005 s
Inaccuracy: - Definite time (I _M /I _{SET} ratio 0.95)	±1.0 % or ±30 ms
Instant operation time	
Start time and instant operation time (trip): - I _M /I _{SET} ratio <0.95	<50 ms
Reset	
Reset ratio	103 % of the pick-up current setting
Reset time setting Inaccuracy: Reset time	0.010...150.000 s, step 0.005 s ±1.0 % or ±35 ms
Instant reset time and start-up reset	<50 ms

8.2.1.20 Mechanical jam protection (I_m>; 51M)

Table. 8.2.1.20 - 398. Technical data for the mechanical jam function.

Measurement inputs	
Current inputs	Phase current inputs: I _{L1} (A), I _{L2} (B), I _{L3} (C)
Current input magnitudes	RMS phase currents
Pick-up	
Pick-up current setting	0.10...40.00 × I _N , setting step 0.10 × I _N
Inaccuracy: - Current	±0.5 %I _{SET} or ±15 mA (0.10...4.0 × I _{SET})
Operation time	
Definite time function operating time setting	0.00...1800.00 s, setting step 0.005 s
Inaccuracy: - Definite time (I _M /I _{SET} ratio 0.95)	±1.0 % or ±30 ms
Instant operation time	
Start time and instant operation time (trip): - I _M /I _{SET} ratio 1.05→	<50 ms
Reset	
Reset ratio	97 % of the pick-up current setting

Reset time setting Inaccuracy: Reset time	0.010...150.000 s, step 0.005 s ±1.0 % or ±35 ms
Instant reset time and start-up reset	<50 ms

Note!

- Mechanical jam protection requires that the motor running condition has been met before tripping is possible.

8.2.1.21 Power factor protection (PF<; 55)

Table. 8.2.1.21 - 399. Technical data for the power factor protection function.

Measurement inputs	
Current inputs	Phase current inputs: I _{L1} (A), I _{L2} (B), I _{L3} (C)
Voltage inputs	U _{L1} , U _{L2} , U _{L3} U _{L12} , U _{L23} , U _{L31} (+ U ₀)
Calculated measurement	Three-phase power factor
Pick-up	
Pick-up setting	0.00...0.99, setting step 0.01
Inaccuracy: - power factor (when U > 1.0 V and I > 0.1 A)	±0.001
Operation time	
Definite time function operating time setting	0.00...1800.00 s, setting step 0.005 s
Inaccuracy: - Definite time (at least 0.01 below the setting)	±1.0 % or ±30 ms
Instant operation time	
Start time and instant operation time (trip): - at least 0.01 below the setting	<50 ms
Reset	
Reset ratio	1.03 of the power factor setting
Reset time	<50 ms

Note!

- The minimum voltage for the power factor calculation is 1.0 V secondary and the minimum current is 0.1 A secondary.

8.2.1.22 Resistance temperature detectors (RTD)

Table. 8.2.1.22 - 400. Technical data of the resistance temperature detectors.

Inputs	
Resistance input magnitudes	Measured temperatures measured by RTD sensors
RTD channels	12 individual RTD channels
Settable alarms	24 alarms available (two per each RTD channel)
Pick-up	
Alarm setting range Inaccuracy Reset ratio	101.00...2000.00 deg, setting step 0.1 deg (either < or > setting) ±3 % of the set pick-up value 97 % of the pick-up setting
Operation	
Operating time	Typically <500 ms

8.2.1.23 Arc fault protection ($I_{Arc} > I_{0Arc}$; 50Arc/50NArc) (optional)

Table. 8.2.1.23 - 401. Technical data for the arc fault protection function.

Measurement inputs	
Current inputs	Phase current inputs: I_{L1} (A), I_{L2} (B), I_{L3} (C) Residual current channel I_{01} (Coarse) Residual current channel I_{02} (Fine)
Current input magnitudes	Sample-based phase current measurement Sample-based residual current measurement
Arc point sensor inputs	Channels S1, S2, S3, S4 (pressure and light sensor, or light-only sensor) Up to four (4) sensors per channel
System frequency operating range	6.00...75.00 Hz
Pick-up	
Pick-up current setting (phase current) Pick-up current setting (residual current) Pick-up light intensity	0.50...40.00 × I_N , setting step 0.01 × I_N 0.10...40.00 × I_N , setting step 0.01 × I_N 8, 25 or 50 kLx (the sensor is selected in the order code)
Starting inaccuracy ($I_{Arc} >$ and $I_{0Arc} >$)	±3 % of the set pick-up value > 0.5 × I_N setting, 5 mA < 0.5 × I_N setting.
Point sensor detection radius	180 degrees
Operation time	
Light only: - Semiconductor outputs HSO1 and HSO2 - Regular relay outputs	Typically 7 ms (3...12 ms) Typically 10 ms (6.5...15 ms)

Light + current criteria (zone 1...4): - Semiconductor outputs HSO1 and HSO2 - Regular relay outputs	Typically 10 ms (6.5...14 ms) Typically 14 ms (10...18 ms)
Arc BI only: - Semiconductor outputs HSO1 and HSO2 - Regular relay outputs	Typically 7 ms (2...12 ms) Typically 10 ms (6.5...15 ms)
Reset	
Reset ratio for current	97 % of the pick-up setting
Reset time	<35 ms

Note!

- The maximum length of the arc sensor cable is 200 meters.

8.2.2 Control functions

8.2.2.1 Setting group selection

Table. 8.2.2.1 - 402. Technical data for the setting group selection function.

Settings and control modes	
Setting groups	8 independent, control-prioritized setting groups
Control scale	Common for all installed functions which support setting groups
Control mode	
Local	Any digital signal available in the device
Remote	Force change overrule of local controls either from the setting tool, HMI or SCADA
Operation time	
Reaction time	<5 ms from receiving the control signal

8.2.2.2 Object control and monitoring

Table. 8.2.2.2 - 403. Technical data for the object control and monitoring function.

General	
Number of objects	10
Supported object types	Circuit breaker Circuit breaker with withdrawable cart Disconnecter (MC) Disconnecter (GND) Custom object image

Signals	
Input signals	Digital inputs Software signals
Output signals	Close command output Open command output
Operation time	
Breaker traverse time setting	0.02...500.00 s, setting step 0.02 s
Max. close/open command pulse length	0.02...500.00 s, setting step 0.02 s
Control termination time out setting	0.02...500.00 s, setting step 0.02 s
Inaccuracy: - Definite time operating time	±0.5 % or ±10 ms
Breaker control operation time	
External object control time	<75 ms
Object control during auto-reclosing	See the technical sheet for the auto-reclosing function.

8.2.2.3 Indicator object monitoring

Table. 8.2.2.3 - 404. Technical data for the indicator object monitoring function.

General	
Number of objects	10
Supported object types	Disconnecter (GND) Custom object image
Signals	
Input signals	Digital inputs Software signals

8.2.3 Monitoring functions

8.2.3.1 Current transformer supervision

Table. 8.2.3.1 - 405. Technical data for the current transformer supervision function.

Measurement inputs	
Current inputs	Phase current inputs: I _{L1} (A), I _{L2} (B), I _{L3} (C) Residual current channel I ₀₁ (Coarse) (optional) Residual current channel I ₀₂ (Fine) (optional)
Current input magnitudes	RMS phase currents RMS residual current (I ₀₁ , I ₀₂) (optional)
Pick-up	

Pick-up current settings: - I _{SET} high limit - I _{SET} low limit - I _{SUM} difference - I _{SET} ratio - I ₂ /I ₁ ratio	0.10...40.00 × I _N , setting step 0.01 × I _N 0.10...40.00 × I _N , setting step 0.01 × I _N 0.10...40.00 × I _N , setting step 0.01 × I _N 0.01...100.00 %, setting step 0.01 % 0.01...100.00 %, setting step 0.01 %
Inaccuracy: - Starting I _{L1} , I _{L2} , I _{L3} - Starting I ₂ /I ₁ - Starting I _{O1} (1 A) - Starting I _{O2} (0.2 A)	±0.5 %I _{SET} or ±15 mA (0.10...4.0 × I _{SET}) ±1.0 %I _{2SET} / I _{1SET} or ±100 mA (0.10...4.0 × I _N) ±0.5 %I _{OSET} or ±3 mA (0.005...10.0 × I _{SET}) ±1.5 %I _{OSET} or ±1.0 mA (0.005...25.0 × I _{SET})
Time delay for alarm	
Definite time function operating time setting	0.00...1800.00 s, setting step 0.005 s
Inaccuracy_ - Definite time (I _M /I _{SET} ratio > 1.05)	±2.0 % or ±80 ms
Instant operation time (alarm): - I _M /I _{SET} ratio > 1.05	<80 ms (<50 ms in differential protection relays)
Reset	
Reset ratio	97/103 % of the pick-up current setting
Instant reset time and start-up reset	<80 ms (<50 ms in differential protection relays)

8.2.3.2 Voltage transformer supervision (60)

Table. 8.2.3.2 - 406. Technical data for the voltage transformer supervision function.

Measurement inputs	
Voltage inputs	U _{L1} , U _{L2} , U _{L3} U _{L12} , U _{L23} , U _{L31}
Voltage input magnitudes	RMS line-to-line or line-to-neutral voltages
Pick-up	
Pick-up settings: - Voltage (low pick-up) - Voltage (high pick-up) - Angle shift limit	0.05...0.50 × U _N , setting step 0.01 × U _N 0.50...1.10 × U _N , setting step 0.01 × U _N 2.00...90.00 deg, setting step 0.10 deg
Inaccuracy: - Voltage - U angle (U > 1 V)	±1.5 %U _{SET} ±1.5°
External line/bus side pick-up (optional)	0 → 1
Time delay for alarm	
Definite time function operating time setting	0.00...1800.00 s, setting step 0.005 s
Inaccuracy: - Definite time (U _M /U _{SET} ratio > 1.05/0.95)	±1.0 % or ±35 ms

Instant operation time (alarm): - U_M/U_{SET} ratio > 1.05/0.95	<80 ms
VTS MCB trip bus/line (external input)	<50 ms
Reset	
Reset ratio	97/103 % of the pick-up voltage setting
Reset time setting Inaccuracy: Reset time	0.010...10.000 s, step 0.005 s ± 2.0 % or ± 80 ms
Instant reset time and start-up reset	<50 ms
VTS MCB trip bus/line (external input)	<50 ms

Note!

- When turning on the auxiliary power of a device, the normal condition of a stage has to be fulfilled before tripping.

8.2.3.3 Circuit breaker wear monitoring

Table. 8.2.3.3 - 407. Technical data for the circuit breaker wear monitoring function.

Pick-up	
Breaker characteristics settings: - Nominal breaking current - Maximum breaking current - Operations with nominal current - Operations with maximum breaking current	0.00...100.00 kA, setting step 0.001 kA 0.00...100.00 kA, setting step 0.001 kA 0...200 000 operations, setting step 1 operation 0...200 000 operations, setting step 1 operation
Pick-up setting for Alarm 1 and Alarm 2	0...200 000 operations, setting step 1 operation
Inaccuracy	
Inaccuracy for current/operations counter: - Current measurement element - Operation counter	$0.1 \times I_N > I < 2 \times I_N \pm 0.2$ % of the measured current, rest 0.5 % ± 0.5 % of operations deducted

8.2.3.4 Current total harmonic distortion

Table. 8.2.3.4 - 408. Technical data for the total harmonic distortion function.

Input signals	
Current inputs	Phase current inputs: I_{L1} (A), I_{L2} (B), I_{L3} (C) Residual current channel I_{01} (Coarse) Residual current channel I_{02} (Fine)
Current input magnitudes	Current measurement channels (FFT result) up to the 31 st harmonic component.
Pick-up	

Operating modes	Power THD Amplitude THD
Pick-up setting for all comparators	0.10...200.00 % , setting step 0.01 %
Inaccuracy	± 3 % of the set pick-up value $> 0.5 \times I_N$ setting; $5 \text{ mA} < 0.5 \times I_N$ setting.
Time delay	
Definite time function operating time setting for all timers	0.00...1800.00 s, setting step 0.005 s
Inaccuracy: - Definite time operating time - Instant operating time, when I_M/I_{SET} ratio > 3 - Instant operating time, when I_M/I_{SET} ratio $1.05 < I_M/I_{SET} < 3$	± 0.5 % or ± 10 ms Typically < 20 ms Typically < 25 ms
Reset	
Reset time	Typically < 10 ms
Reset ratio	97 %

8.2.3.5 Disturbance recorder

Table. 8.2.3.5 - 409. Technical data for the disturbance recorder function.

Recorded values	
Recorder analog channels	0...20 channels Freely selectable
Recorder digital channels	0...95 channels Freely selectable analog and binary signals 5 ms sample rate (FFT)
Performance	
Sample rate	8, 16, 32 or 64 samples/cycle
Recording length	0.000...1800.000 s, setting step 0.001 s The maximum length is determined by the chosen signals.
Number of recordings	0...100, 60 MB of shared flash memory reserved The maximum number of recordings according to the chosen signals and operation time setting combined

8.2.3.6 Event logger

Table. 8.2.3.6 - 410. Technical data for the event logger function.

General information	
Event history capacity	15 000 events
Event timestamp resolution	1 ms

8.3 Tests and environmental

Electrical environment compatibility

Table. 8.3 - 411. Disturbance tests.

All tests		CE-approved and tested according to EN 60255-26
Emissions		
Conducted emissions: EN 60255-26 Ch. 5.2, CISPR 22	150 kHz...30 MHz	
Radiated emissions: EN 60255-26 Ch. 5.1, CISPR 11	30...1 000 MHz	
Immunity		
Electrostatic discharge (ESD): EN 60255-26, IEC 61000-4-2	Air discharge 15 kV Contact discharge 8 kV	
Electrical fast transients (EFT): EN 60255-26, IEC 61000-4-4	Power supply input 4 kV, 5/50 ns, 5 kHz Other inputs and outputs 4 kV, 5/50 ns, 5 kHz	
Surge: EN 60255-26, IEC 61000-4-5	Between wires: 2 kV, 1.2/50 μ s Between wire and earth: 4 kV, 1.2/50 μ s	
Radiated RF electromagnetic field: EN 60255-26, IEC 61000-4-3	f = 80...1 000 MHz, 10 V/m	
Conducted RF field: EN 60255-26, IEC 61000-4-6	f = 150 kHz...80 MHz, 10 V (RMS)	

Table. 8.3 - 412. Voltage tests.

Dielectric voltage test	
EN 60255-27, IEC 60255-5, EN 60255-1	2 kV, 50 Hz, 1 min
Impulse voltage test	
EN 60255-27, IEC 60255-5	5 kV, 1.2/50 μ s, 0.5 J

Physical environment compatibility

Table. 8.3 - 413. Mechanical tests.

Vibration test	
EN 60255-1, EN 60255-27, IEC 60255-21-1	2...13.2 Hz, \pm 3.5 mm 13.2...100 Hz, \pm 1.0 g
Shock and bump test	
EN 60255-1, EN 60255-27, IEC 60255-21-2	20 g, 1 000 bumps/dir.

Table. 8.3 - 414. Environmental tests.

Damp heat (cyclic)	
EN 60255-1, IEC 60068-2-30	Operational: +25...+55 °C, 93...97 % (RH), 12+12h
Dry heat	
EN 60255-1, IEC 60068-2-2	Storage: +70 °C, 16 h Operational: +55 °C, 16 h
Cold test	
EN 60255-1, IEC 60068-2-1	Storage: -40 °C, 16 h Operational: -20 °C, 16 h

Table. 8.3 - 415. Environmental conditions.

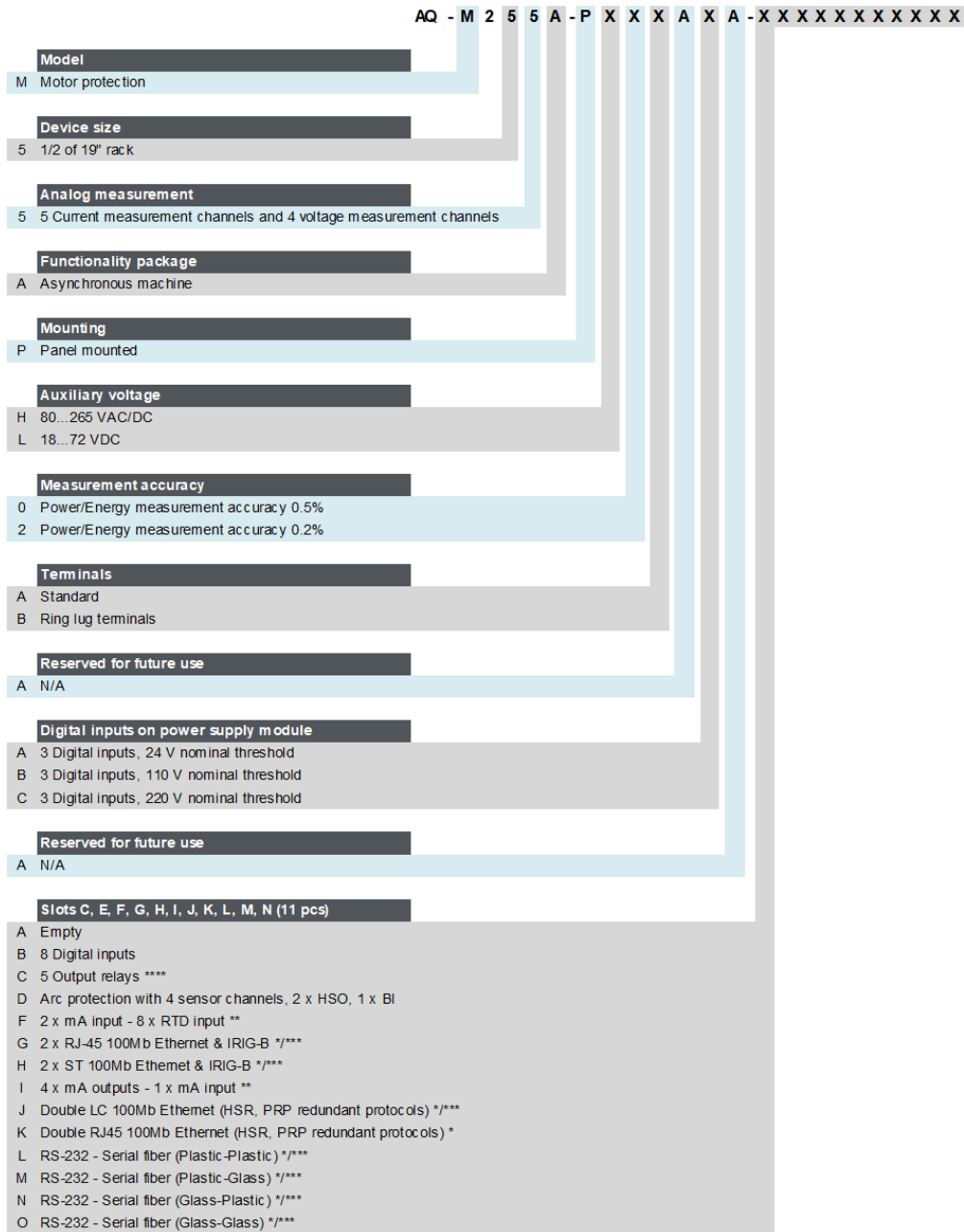
IP classes	
Casing protection class	IP54 (front) IP21 (rear)
Temperature ranges	
Ambient service temperature range	-35...+70 °C
Transport and storage temperature range	-40...+70 °C
Other	
Altitude	<2000 m
Overvoltage category	III
Pollution degree	2

Casing and package

Table. 8.3 - 416. Dimensions and weight.

Without packaging (net)	
Dimensions	Height: 208 mm Width: 257 mm (½ rack) Depth: 165 mm (no cards or connectors)
Weight	1.5 kg
With packaging (gross)	
Dimensions	Height: 250 mm Width: 343 mm Depth: 256 mm
Weight	2.0 kg

9 Ordering information



- * One card at most per IED
- ** Two cards at most per IED
- *** Can only be applied to the last slot
- **** Six cards at most per IED

Accessories

Order code	Description	Note	Manufacturer
ADAM-4015-CE	External 6-channel 2 or 3 wires RTD Input module, pre-configured	Requires an external power module	Advanced Co. Ltd.
ADAM-4018+-BE	External 8-ch Thermocouple mA Input module, pre-configured	Requires an external power module	Advanced Co. Ltd.

AQX121	Raising frame 120mm		Arcteq Ltd.
AQX122	Raising frame 40mm		Arcteq Ltd.
AQX098	Wall mounting bracket		Arcteq Ltd.
AQ-01A	Light point sensor unit (8,000 lux threshold)	Max. cable length 200 m	Arcteq Ltd.
AQ-01B	Light point sensor unit (25,000 lux threshold)	Max. cable length 200 m	Arcteq Ltd.
AQ-01C	Light point sensor unit (50,000 lux threshold)	Max. cable length 200 m	Arcteq Ltd.
AQ-02A	Pressure and light point sensor unit (8,000 lux threshold)	Max. cable length 200 m	Arcteq Ltd.
AQ-02B	Pressure and light point sensor unit (25,000 lux threshold)	Max. cable length 200 m	Arcteq Ltd.
AQ-02C	Pressure and light point sensor unit (50,000 lux threshold)	Max. cable length 200 m	Arcteq Ltd.

10 Contact and reference information

Manufacturer

Arcteq Relays Ltd.

Visiting and postal address

Kvartsikatu 2 A 1

65300 Vaasa, Finland

Contacts

Phone:	+358 10 3221 370
Website:	arcteq.fi
Technical support:	support.arcteq.fi +358 10 3221 388 (EET 9:00 – 17.00)
E-mail (sales):	sales@arcteq.fi