

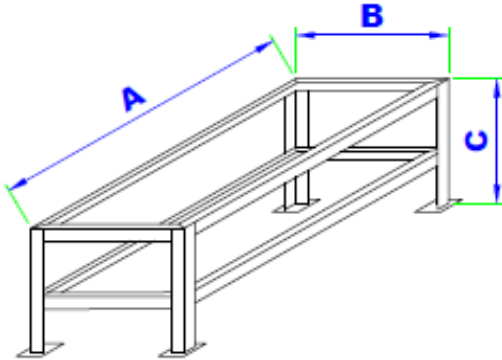


Artisan Sheet Metal Corp.
The Best Place for Your Fabrication Needs

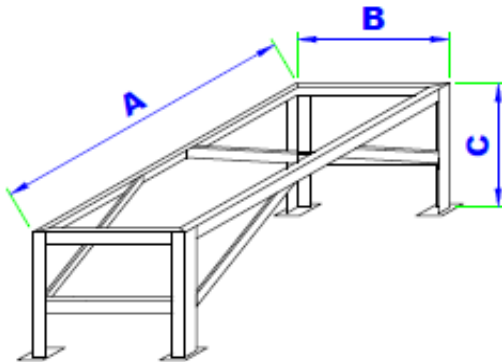
CUSTOMER	PO#	DATE

STANDS

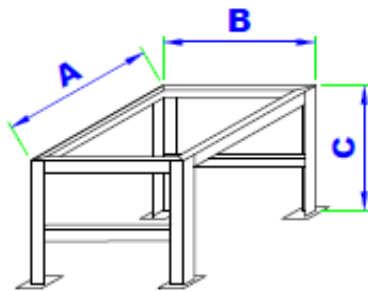
General Information



MODEL ST-1



MODEL ST-2



MODEL ST-3



Custom Weld heavy gauge Table Stands

Our excellent manufacturing facilities enable welding, fabrication and sheet metal work using Galvanized, Mild Steel, Stainless Steel, and Aluminum.

Send specifications for a quotation.

QTY	MODEL	WIDTH X DEEP AXB	HIG C	PRICE
NOTES			MATERIAL	

STANDS CAN BE FABRICATED IN ANGLE, C- CHANNEL, I-BEAM, SQ TUBE AND ROUND TUBE