



MAUSER
S P E Z I A L

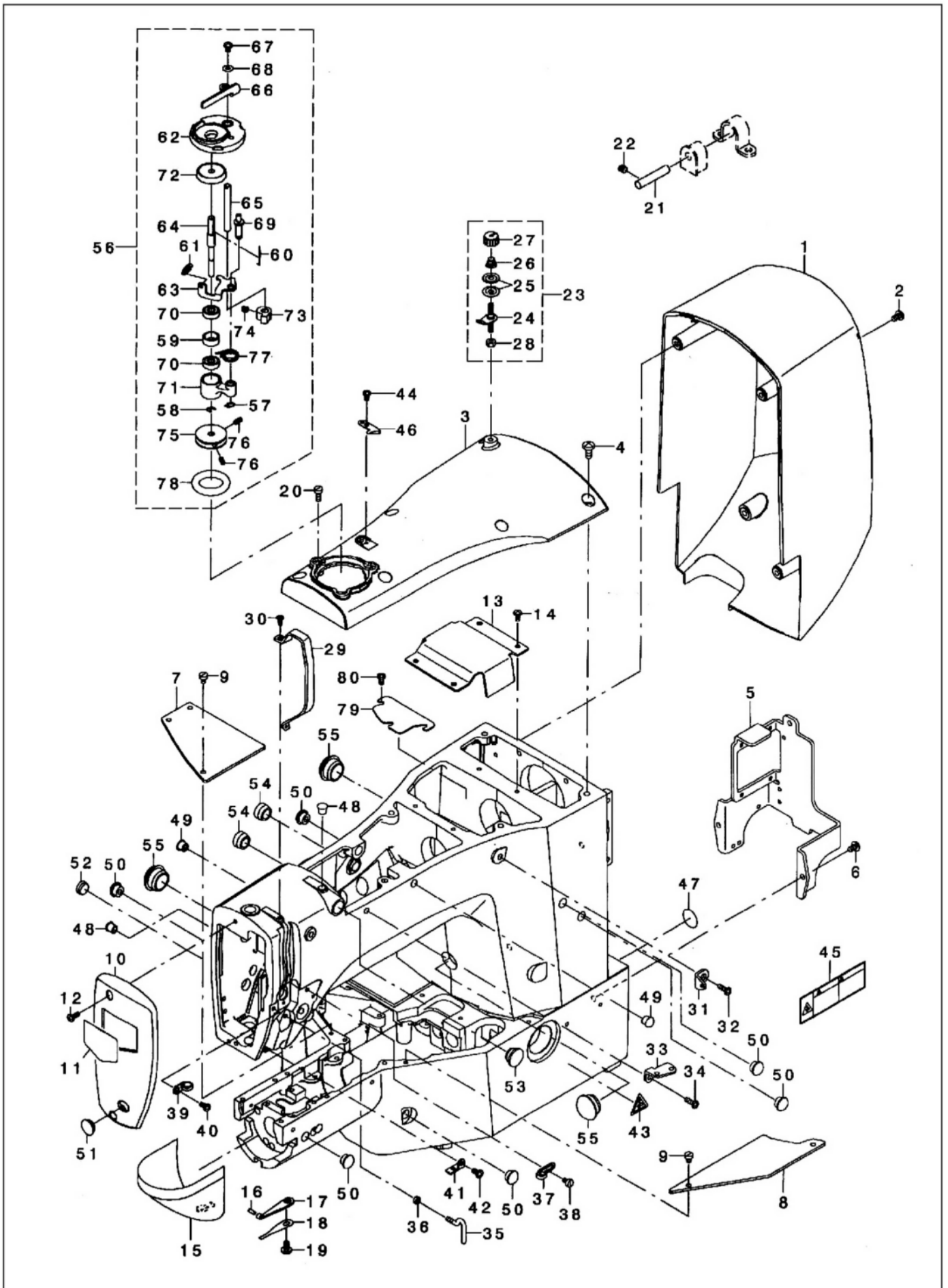
MB-1903

CNC Controlled Button Sewer

Parts List

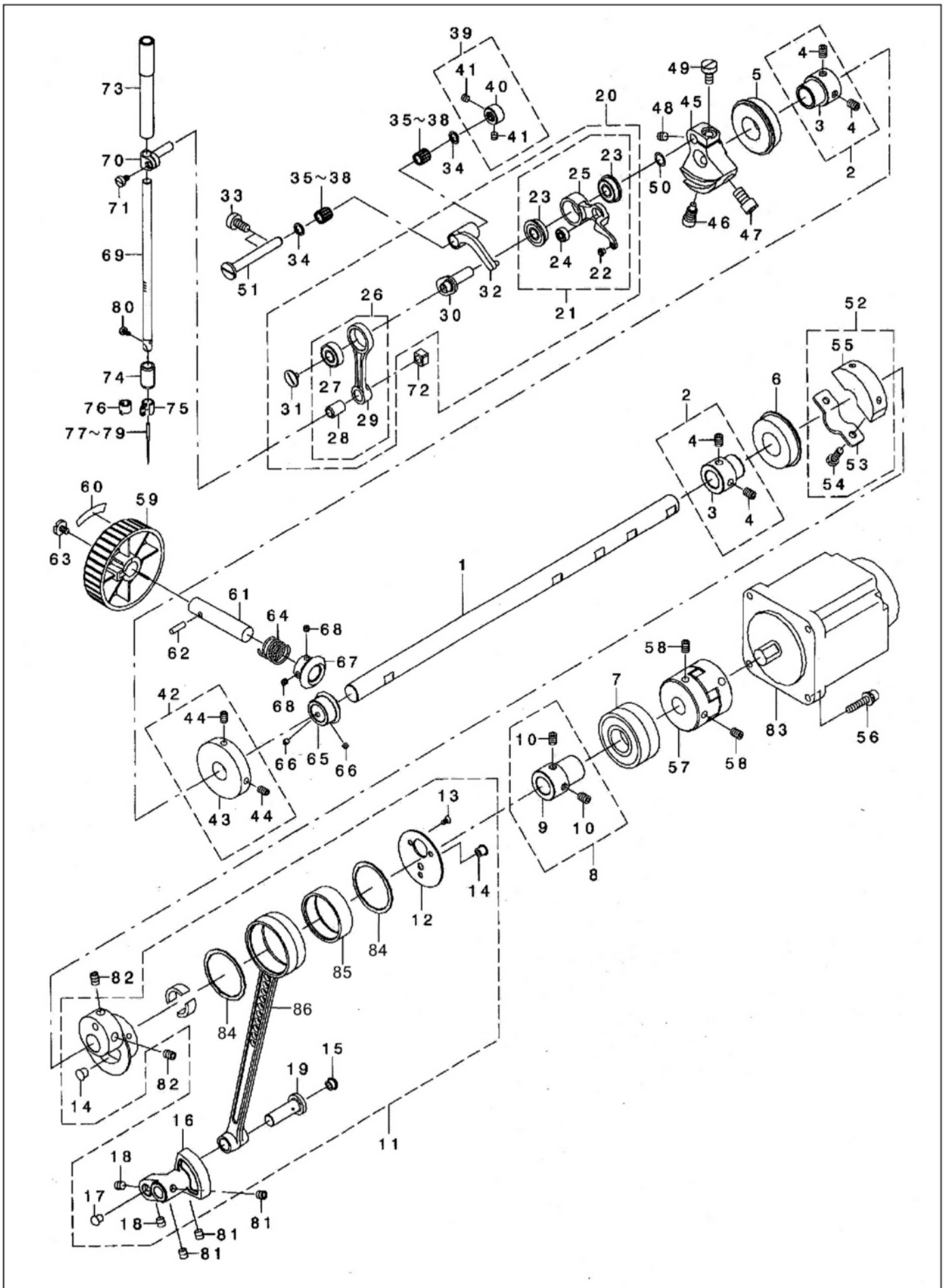
Courtesy of:





序号 NO.	注解 NOTE	图号 REF NO.	名称	DESCRIPTION	数量 AMT
1		508-01-01	电机罩	Motor Cover	1
2		12-40400825-02	电机罩螺钉M4X8	Screw M4x8	4
3		508-01-03	上盖	Upside Vover	1
4		12-40601225-01	上盖螺钉 M6X12	Screw M6 L=12	6
5		508-01-05	电子安装板	Protection Plate	1
6		12-40500825-01	安装板螺钉M5X8	Screw M5 L=8	3
7		508-01-07	底座左盖板	Bed Cover Left	1
8		508-01-08	底座右盖板	Bed Cover Right	1
9		12-70400620-01L	底座盖板螺钉M4X6	Screw M4 L=6	5
10		508-01-10	面板	Face Cover	1
11		508-01-11	面板商板	Plate	1
12		12-40401025-01	面板螺钉M4X10	Screw M4 L=10	2
13		508-01-13	挡油罩板	Crank Rod Cover	1
14		12-40400825-02	挡油罩板螺钉M4X8	Screw M4x8	4
15		501-04-03	梭床罩	Cylinder Arm Cap	1
16		41-30201000-00	梭床罩压簧销	Hook Cover Presser Spring Pin	(1)
17		501-04-05	梭床盖锁紧弹簧板A	Hook Cover Presser Spring A	(1)
18		501-04-06	梭床罩锁紧弹簧板B	Hook Cover Presser Spring B	1
19		12-40400825-02	梭床盖锁紧弹簧板固定螺钉	Screw M4x8	1
20		12-60401120-01	绕线器固定螺钉M4X11	Screw M4 L=11	3
21		501-01-16	机头铰链销	Hinge Stud	2
22		12-80600612-01	铰链销紧定螺钉M6X6	Screw M6 L=6	4
23		134-02-02	绕线夹线器组件	Bobbin Thread Tension Asm.	1
24		501-01-30-02	夹线杆组件	Bobbin Thread Tension Rod Asm.	(1)
25		501-01-30-03	夹线板	Thread Tension Disk	(2)
26		501-01-30-04	夹线簧	Connecting Rod Spring	(1)
27		501-01-30-05	夹线螺母	Thread Tension Nut	(1)
28		13-60113020-01	螺母SM11/64X40	Nut Sm11/64-40	(1)
29		501-01-24	挑线杆防护罩	Balance Cover	1
30		12-40300825-01	挑线杆防护罩螺钉M3X8	Screw M3 L=8	2
31		501-01-14	过线板	Thread Guide No.1	1
32		12-40601225-01	过线板螺钉M6X12	Screw M6 L=12	1
33		134-02-04	双眼过线板	Thread Guide Plate	1
34		12-40601225-01	双眼过线板螺钉M6X12	Screw M6 L=12	1
35		508-01-35	L形过线勾	L-shaped Thread Guide A	1
36		14-60403020-02	L形过线勾螺母M4	Nut M4	1
37		101-03-16	过线勾A	Arm Thread Guide A	1
38		12-70400620-01L	过线勾A螺钉M4X6	Screw M4 L=6	1
39		508-01-39	过线勾B	Take-up Thread Guide B	1
40		12-40400825-02	过线勾B螺钉M4X8	Screw M4x8	1
41		508-01-41	机壳过线勾B	Frame Thread Guide(b)	1
42		12-40400825-02	机壳过线勾B螺钉M4X8	Screw M4x8	1
43		44-00000006-00	三角安全标签(无字)	Caution Label (25)	1
44		12-40300625-01	割线刀螺钉M3X6	Screw M3 L=6	1
45		44-00000001-00	安全注意标签(中英文)	Safety Label 12	1
46		134-02-03	割线刀	Thread Cutter	1
47		44-00000002-00	接地标签	Ground Mark	1
48		501-01-43	橡皮塞D=7.5 L=7	Rubber Plug D=7.5 L=7	2
49		101-01-12	橡皮塞D=8.5 L=6	Rubber Plug D=8.5 L=6	2
50		501-01-49	橡皮塞D=10.5 L=5	Rubber Plug D=10.5 L=5	6
51		501-01-46	橡皮塞D=12.5 L=4	Rubber Plug D=12.5 L=4	1
52		508-01-52	橡皮塞D=12.7 L=5	Rubber Plug D=12.7 L=5	1

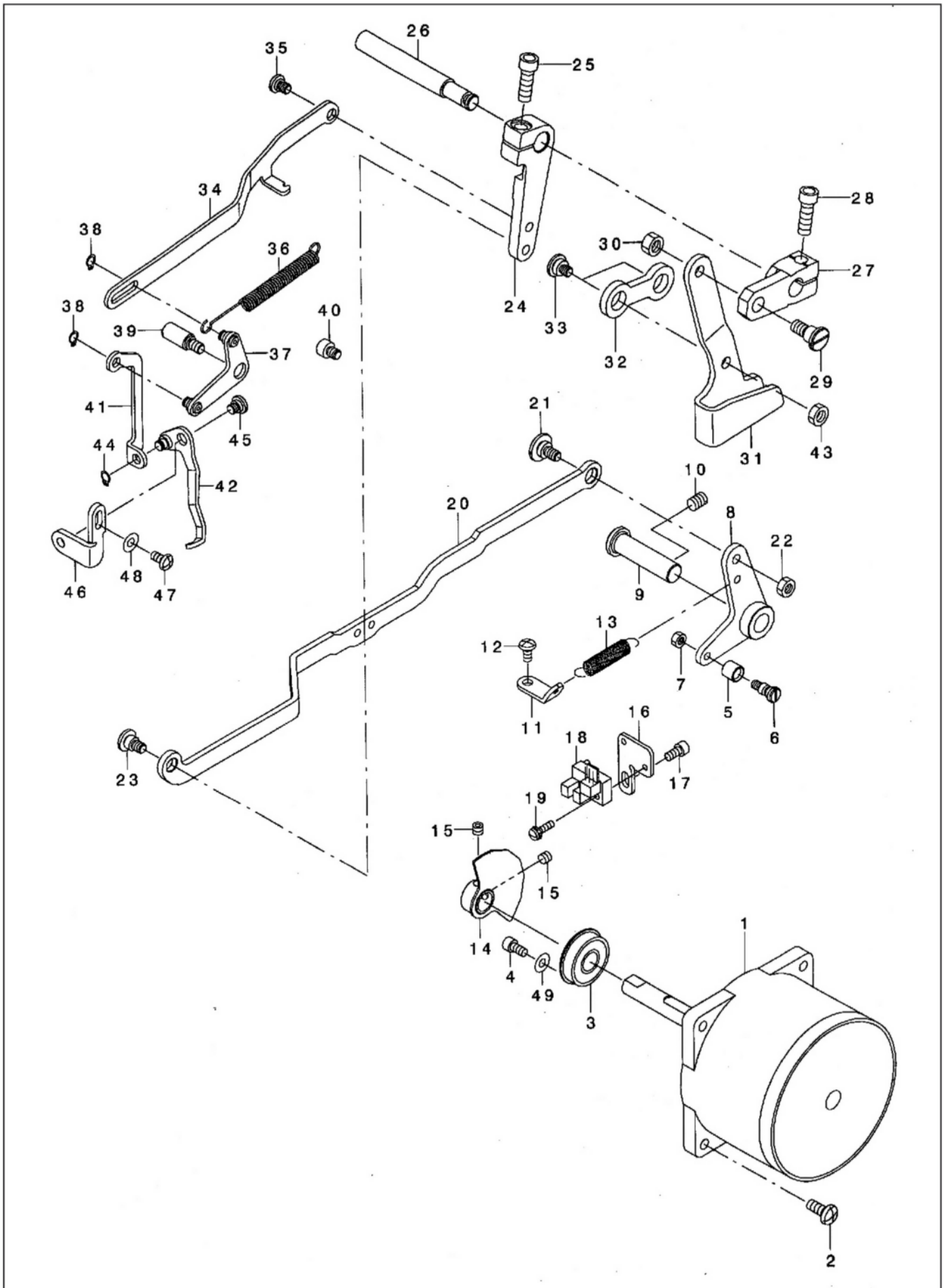
序号 NO.	注解 NOTE	图号 REF NO.	名称	DESCRIPTION	数量 AMT
53		501-01-47	橡皮塞D=14.7 L=7	Rubber Plug D=14.7 L=7	1
54		530-01-26	橡皮塞D=15.5 L=9	Rubber Plug D=15.5 L=9	2
55		501-01-48	橡皮塞D=21 L=9	Rubber Plug D=21 L=9	3
56		134-02-01	绕线器组件	Bobbin Winder Unit	1
57		25-06000000-09	卡簧C6	Retaining Ring	(1)
58		24-04000000-08	卡簧E4	E-ring 4	(1)
59			轴承挡圈	Btw Bearing Spacer	(1)
60			锁扣簧	Bobbin Spring	(1)
61			拉簧	Btw Spring	(1)
62			绕线器座	Btw Base	(1)
63			调节板	Btw Cam Plate	(1)
64			绕线轴	Btw Shaft	(1)
65			绕线器凸轮轴	Btw Lever Shaft	(1)
66			绕线杆	Btw Lever	(1)
67		12-40400625-01	螺钉M4X6	Screw M4x6	(1)
68		21-04308090-02	垫圈 $\phi 4.5 \times \phi 10 \times 0.8$	Washer 4.5x10x0.8	(1)
69			基座销	Btw Base Shaft	(1)
70			轴承	Btw Bearing	(2)
71			绕线轴架	Btw Shaft Base	(1)
72			梭心垫圈	Btw Spacer	(1)
73			绕线器凸轮	Btw Cam Lever	(1)
74		12-80500512-01	螺钉M5X5	Screw M5 L=5	(1)
75			绕线轮	Btw Wheel	(1)
76		12-80400612-01	绕线轮固定螺钉M4X8	Screw M4 L=8	(2)
77			扭簧	Btw Torsion Spring	(1)
78			橡皮圈	Btw Wheel Rubber	(1)
79		508-01-79	曲柄轴底盖	Crank Rod Under Cover	1
80		12-40400825-02	螺钉M4X8	Screw M4x8	3
81		508-01-57	机壳组件		1
82		508-01-57P	车壳 (机头)		1
83		508-01-58P	底座		1
84		508-01-57-03	拼装螺钉		3
85		508-01-67-04	拼装销		2





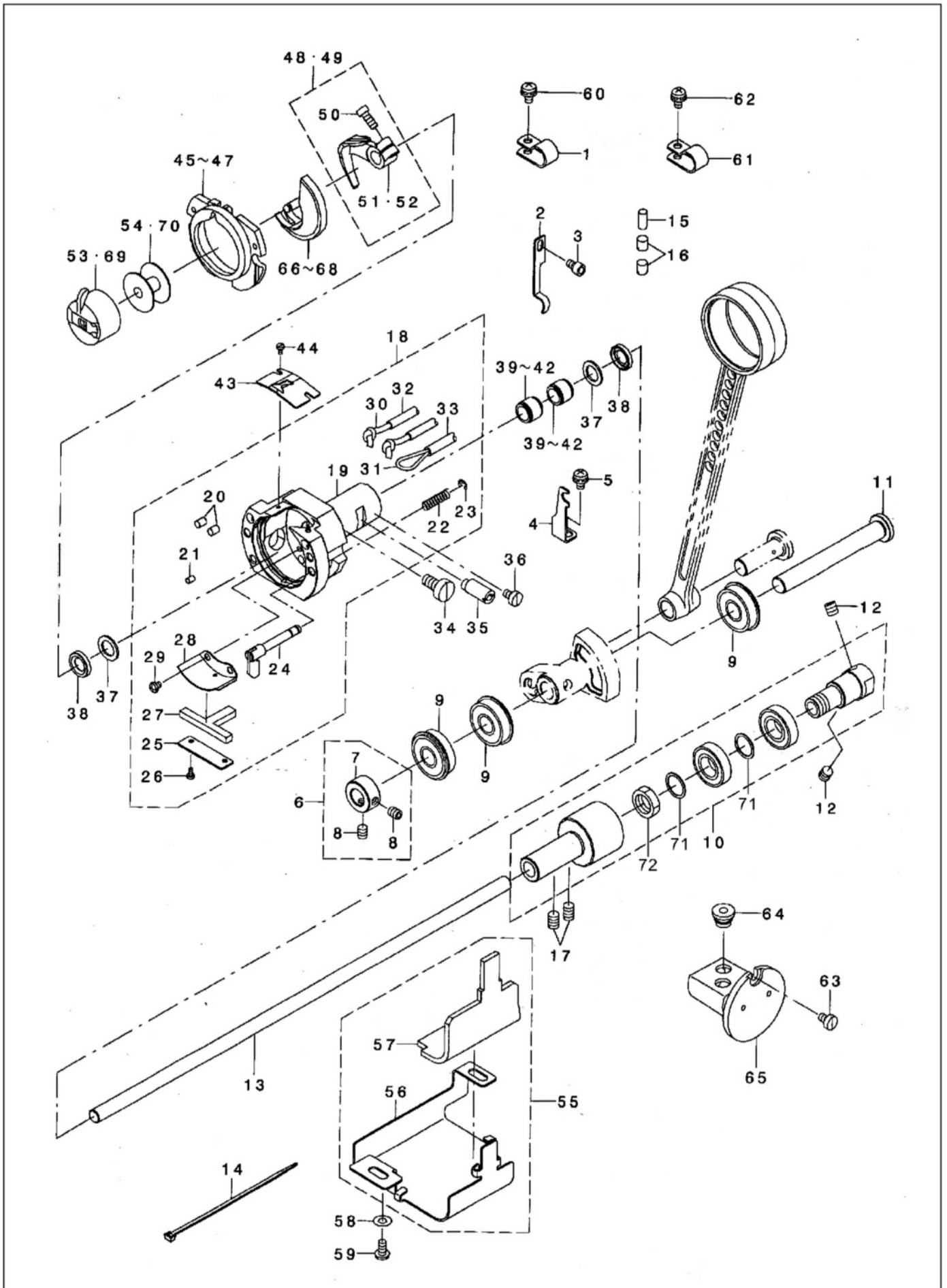
序号 NO.	注解 NOTE	图号 REF NO.	名称	DESCRIPTION	数量 AMT
1		508-02-01	主轴	Main Shaft	1
2		508-02-02	轴承套A组件	Bearing Bush A Asm.	2
3		508-02-03	轴承套A	Bearing Bush A	2
4		12-80600812-01	轴承套紧固螺钉M6X8	Screw M6 L=8	4
5		508-02-05	轴承6004ZZNR	Bearing	1
6		508-02-05	轴承6004ZZNR	Bearing	1
7		508-02-07	轴承6204Z	Bearing	1
8		508-02-08	轴承套B组件	Bearing Bush B Asm.	1
9		508-02-09	轴承套B	Bearing Bush B	1
10		12-80600812-01	轴承套紧固螺钉M6X8	Screw M6 L=8	2
11		508-02-11	凸轮连杆组件	Crank Rod Asm.	1
12		508-02-12	凸轮连杆盖	Crank Rod Support Plate	1
13		12-10300620-01	凸轮连杆盖螺钉M3X6	Screw M3 L=6	3
14		508-02-14	橡皮塞D=6.7 L=6	Plug D=6.7 L=6	2
15		530-01-21	橡皮塞D=7.5 L=3.5	Plug D=7.5 L=3.5	1
16		508-02-16	摆齿	Oscillator	1
17		530-01-20	橡皮塞D=5.5 L=6	Rubber Plug	1
18		12-85600612-01	摆齿销固定螺钉	Screw M6×0.75 L=6	2
19		508-02-19	摆齿销	Oscillator Pin	1
20		508-02-20	挑线杆组件	Thread Take Up Compl.	1
21		508-02-21	挑线杆组件	Thread Take Up Lever Asm.	(1)
22		508-02-22	挑线杆过线扣	Thread Pass Bush	(1)
23		508-02-23	轴承698LB	Bearing	(2)
24		508-02-24	轴承694Z	Bearing	(1)
25		508-02-25	挑线杆	Thread Take Up Lever	(1)
26		508-02-26	针杆连杆组件	Thread Take Up Lever Metal	(1)
27		508-02-27	轴承698LB	Needle Bar Crank Rod Asm.	(1)
28		508-02-28	针杆连杆轴承套	Needle Bar Crank Rod Metal	(1)
29		508-02-29	针杆连杆	Mneedle Bar Crank Rod	(1)
30		508-02-30	挑线连杆	Needle Rod Crank	(1)
31		501-02-14-03	左旋螺钉	Left Screw	(1)
32		508-02-32	曲柄连杆	Thread Take Up Crank	(1)
33		12-60601220-01	螺钉M6X12	Screw M6 L=12	2
34		508-02-34	滚针轴承挡圈	Bearing Support	2
35		134-03-41	滚针轴承K7X10X10	Bearing	2
39		508-02-39	挑线连杆销挡圈组件	Thrust Collar Asm.	1
40		508-02-40	挑线连杆销挡圈	Thrust Collar	1
41		12-80500412-01	挡圈螺钉M5X4	Screw M5x4	2
42		134-03-33	绕线驱动轮组件	Btw Driving Wheel Asm.	1
43		134-03-33	绕线驱动轮	Btw Driving Wheel	1
44		12-80500612-01	绕线驱动轮螺钉M5X8	Screw M5 L=8	2
45		508-02-45	针杆曲柄	Counter Weight	1
46		508-02-46	针杆曲柄定位螺钉A	Counter Weight Screw A	1
47		12-60801222-01	针杆曲柄固定螺栓M8X12	Bolt M8 L=12	1
48		12-85600612-01	挑线杆定位螺钉	Screw M6×0.75 L=6	1
49		12-60601220-01	挑线杆固定螺钉M6X12	Screw	1
50		21-08210162-03	挑线杆垫圈	Washer 8.2×11.6×0.6	1
51		508-02-51	挑线连杆销	Thread Take Up Crank Shaft	1
52		508-02-52	平衡块组件	Crank Balancer Asm	1
53		508-02-53	平衡块安装板	Crank Balancer Fix Plate	1
54		12-60501220-01	平衡块安装板螺钉M5X14	Screwm5x14	2
55		508-02-55	平衡块	Crank Balancer	1

序号 NO.	注解 NOTE	图号 REF NO.	名称	DESCRIPTION	数量 AMT
56		16-60502522-02	主电机固定螺栓M5X25	Bolt M5 L=25	4
57		134-03-04	联轴器组件	Coupling	1
		134-03-04-01	半联轴器		1
		134-03-04-02	半联轴器		1
		134-03-04-03	橡胶盘		1
58		12-80600812-01	联轴器固定螺钉M6X8	Screw M6 L=8	4
59		501-02-40	手轮	Pulley	1
61		501-02-06	手轮轴	Hand Pulley Shaft	1
62		41-20401400-00	开口销4X14	Spring Pin 4*14	1
63		12-70600820-02	手轮螺钉	Set Screw	1
64		501-02-41	手轮弹簧	Spring	1
65		508-02-65	手轮齿轮A	Gear A	1
66		12-80400312-01	手轮齿轮螺钉M4X3	Screw M4 L=3	2
67		508-02-67	手轮齿轮B	Gear B	1
68		12-80400312-01	手轮齿轮螺钉M4X3	Screw M4 L=3	2
69		508-02-69	针杆	Needle Bar	1
70		501-02-15-01	针夹接头	Needle Bar Clamp	1
71		11-60090620-01	针夹接头螺钉	Screw Sm9/64-40 L=6	1
72		501-02-16	针杆滑块	Slide Block	1
73		501-02-48	针杆上套	Needle Rod Metal	1
74		501-02-49	针杆下套	Needle Rod Lower Metal	1
75		508-02-75	针杆过线环	Thread Guide	1
76		101-03-11	针杆过线环	Needle Bar Thread Guide	1
77		423-04-44	机针 DPX5 11#	Needle Dpx5 11#	1
78		124-04-24	机针 DPX5 14#	Needle Dpx5 14#	1
79		508-02-79	机针 DPX17 21#	Needle Dpx17 21#	1
80		12-60300520-01	支针螺钉M3X5	Screw M3 L=5	1
81		12-85600612-01	摆齿固定螺钉M6X0.75X6	Screw M6×0.75 L=6	4
82		12-80600812-01	凸轮固定螺钉M6X8	Screw M6 L=8	2
83		508-02-83	伺服马达	Ac Servo Motor	1
84		508-02-84	滚针轴承挡圈	Bearing Support	2
85		508-02-85	滚针轴承	Bearing	1
86		508-02-86	大连杆	Crank Rod	1
87		508-02-87	羊毛毡		2



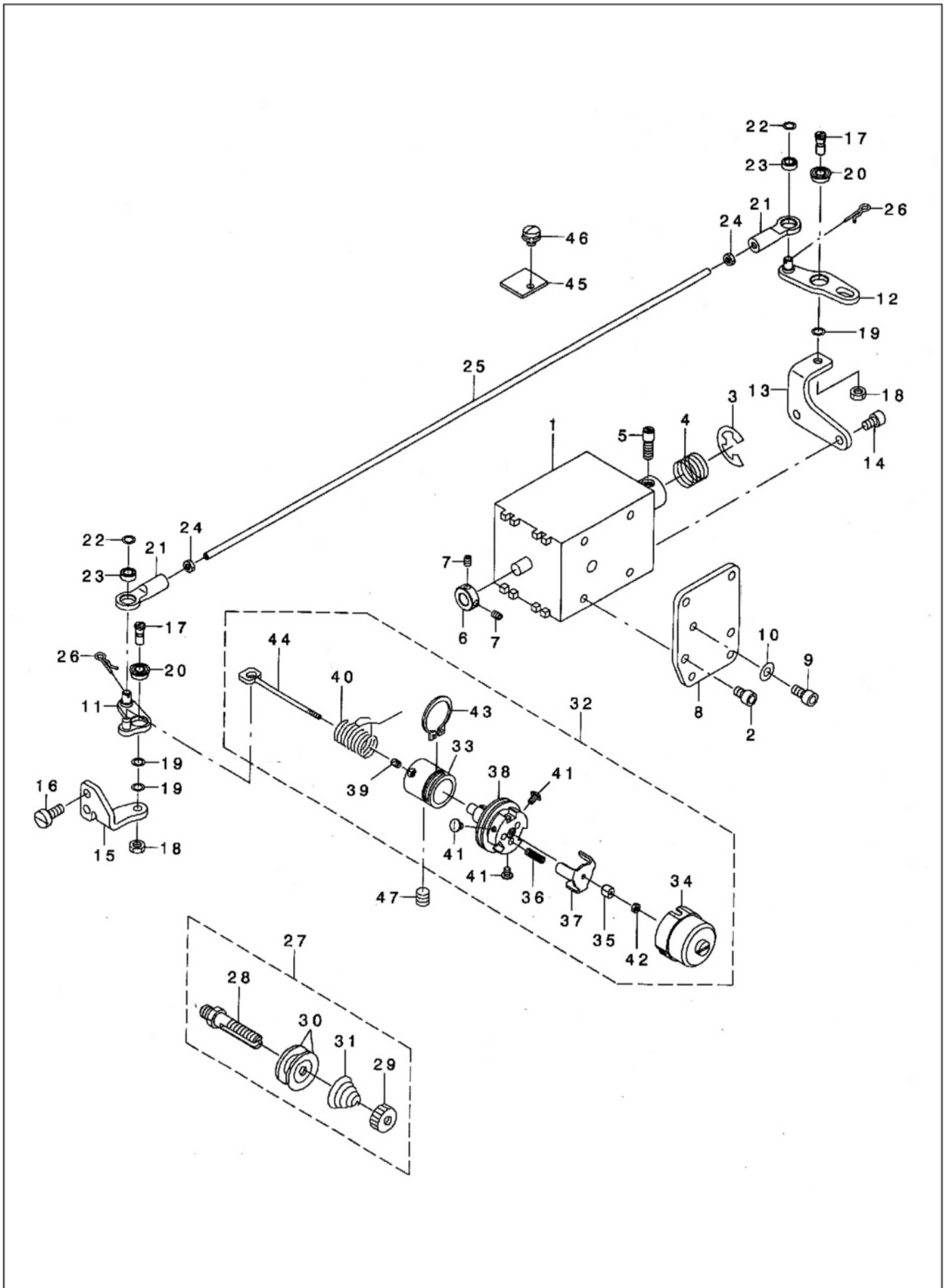


序号 NO.	注解 NOTE	图号 REF NO.	名称	DESCRIPTION	数量 AMT
1		508-03-01	抬压脚马达	Presser Lifting Motor	1
2		12-40501225-02	抬压脚马达安装螺钉	Screw M5 L=12	4
3		508-03-03	轴承6000ZZNR	Bearing	1
4		12-60400822-01	轴承固定螺钉M4X8	Screw M4 L=8	1
5		508-03-05	滚柱	Needle Cam Roller A	1
6		508-03-06	切线滚轮轴位螺钉	Utt Cam Roller Shaft	1
7		14-60403020-01	切线滚轮螺母M4	Nut M4	2
8		508-03-08	抬压脚曲柄	Lifter Link A Asm.	1
9		508-03-09	抬压脚曲柄轴	Thread Trimmer Shaft	1
10		12-80600812-01	抬压脚曲柄轴螺钉M6X8	Screw M6 L=8	1
11		508-03-11	抬压脚曲柄复位钩	Side Cover Thread Guide	1
12		12-40400825-01	复位钩螺钉M4X8	Screw M4x8	1
13		501-06-07	抬压脚曲柄复位簧	Spring	1
14		508-03-14	抬压脚传感器片	Sensor Slit Asm.	1
15		12-80500412-01	抬压脚传感器片螺钉	Screw M5x4	2
16		508-03-16	传感器安装板	Sensor Installing Base	1
17		12-60400822-01	传感器安装板螺钉M4X8	Screw M4 L=8	1
18		508-03-18	抬压脚传感器	Photo Sensor	1
19		16-40301221-02	传感器安装螺钉M3X12	Screw M3 L=12	1
20		508-03-20	抬压脚拉杆	Lifter Link B	1
21		508-03-21	铰链螺钉 D=8 H=3.2	Hinge Screw D=8 H=3.2	1
22		14-60504020-01	螺母M5	Nut M5	1
23		508-03-23	铰链螺钉 D=7 H=4	Hinge Scrw D=7 H=4	1
24		508-03-24	拨线传动曲柄	Connecting Arm	1
25		12-60601822-01	螺钉M6X18	Screw M6 L=18	1
26		501-03-05	曲柄轴	Connecting Shaft	1
27		501-03-03	抬压脚曲柄	Lowering Arm	1
28		12-60601822-01	螺钉M6X18	Screw M6 L=18	1
29		508-03-29	铰链螺钉 D=7.94 H=6	Hinge Screw D=7.94 H=6	1
30		14-60605020-02	螺母M6	Nut M6	1
31		508-03-31	抬压脚传动杆	Lowering Foot	1
32		501-03-04	抬压脚小连杆	Connecting Link	1
33		508-03-33	铰链螺钉 D=10 H=4	Hinge Screw D=10 H=4	2
34		501-05-01	拨线连接杆	Wiper Connecting Link	1
35		501-05-12	铰链螺钉 D=6 H=2	Hinge Screw D=6 H=2	1
36		501-05-03	弹簧	Spring	1
37		508-03-37	拨线连接板	Wiper Connecting Arm Asm.	1
38		25-05000000-09	卡簧C5	Retaining Ring 4.7	2
39		508-03-39	拨线连接板铰链轴	Wiper Connecting Link Shaft	1
40		508-03-40	拨线止动螺钉	Wiper Stopper	1
41		508-03-41	拨线连接杆	Wiper Connecting Plate	1
42		501-05-07	拨线杆组件	Wiper C Asm.	1
43		14-60605020-02	螺母M6	Nut M6	1
44		25-05000000-09	卡簧C5	Retaining Ring 4.7	1
45		501-05-13	拨线钩铰链螺钉	Hinge Screw D=6.35 H=2.1	1
46		501-05-09	拨线安装板	Wiper Base Plate	1
47		12-40400825-01	螺钉M4X8	Screw M4x8	1
48		21-04308090-01	垫圈	Washer 4.5x10x0.8	2
49		21-04308090-01	垫圈	Washer 4.5x10x0.8	1

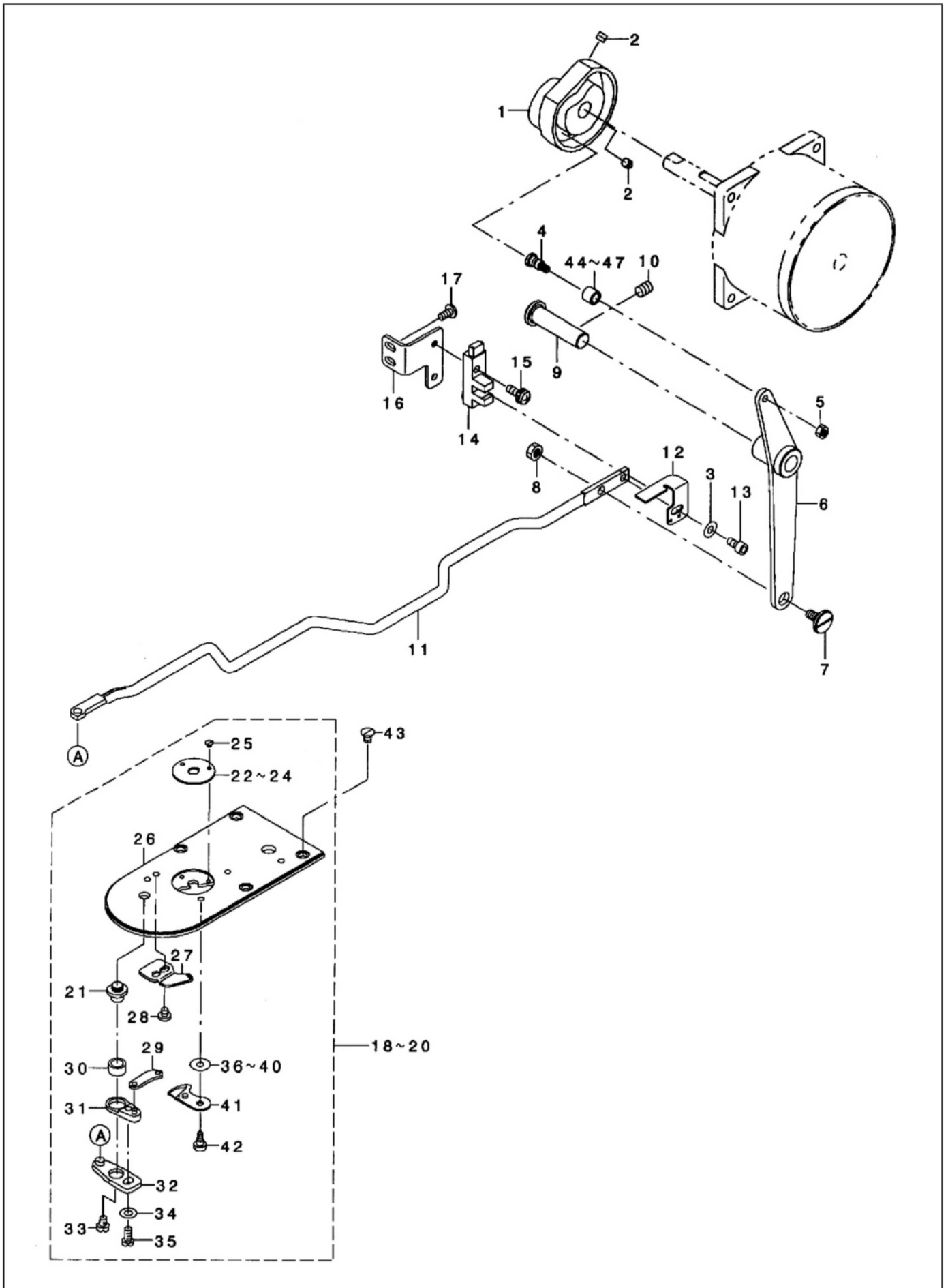


序号 NO.	注解 NOTE	图号 REF NO.	名称	DESCRIPTION	数量 AMT
1		505-21-11	电线夹	Cable Clip	1
2		508-04-02	油管压板	Oil Pipi Holder	1
3		12-60400622-01	松线板螺钉	Screw M4 L=6	1
4		508-04-04	油管夹	Tube Clamp	1
5		16-40400825-02	螺钉	Screw M4 L=8	1
6		508-04-06	挡圈组件	Thrust Collar Asm.	1
7		508-04-07	挡圈	Thrust Collar	1
8		12-80500612-01	挡圈螺钉	Screw M5 L=6	2
9		508-03-03	轴承	Bearing	3
10		508-04-10	下轴轴承组件	Lower Shaft Gear Asm.	1
10-1		508-04-10-1	摆齿轴	Lower-shaft-gear	1
10-2		508-04-10-2	螺钉	Nut M12×1	1
10-3		508-04-10-3	下轴	Washer	2
10-4		508-04-10-4	电缆带	Bearing	2
10-5		508-04-10-5	橡皮塞	Gear	1
11		508-04-11	油量调节块螺钉	Oscillator Shaft	1
12		12-80600612-01	螺钉	Screw M6 L=6	2
13		508-04-13	梭床组件	Lower Shaft	1
14		109-02-28	梭床体	Cable Band	2
15		508-04-15	油毡	Oil Wick Presser	1
16		12-80600612-01	油毡	Screw M6 L=6	2
17		12-80600812-01	弹簧	Screw M6 L=8	2
18		508-04-18	卡簧	Shuttle Asm.	1
19		508-04-19	梭床盖压柱	Shuttle	(1)
20		501-04-02-08	油毡	Shuttle Oil Felt,a	(2)
21		501-04-02-10	螺钉	Shuttle Oil Felt,b	(1)
22		501-04-02-12	油毡	Inner Hook Presser Spring	(2)
23		14-03000000-08	梭床润滑压板	E-ring 3	(2)
24		508-04-24	螺钉	Inner Hook Presser Asm.	(2)
25		501-04-02-15	油芯	Once Through Oil Felt Presser	(1)
26		12-60200320-01	油芯	Screw M2 L=3.5	(2)
27		501-04-02-04	油管	Shuttle Once Through Oil Felt	(1)
28		508-04-28	油管	Shuttle Lubricating Plate	(1)
29		12-40300425-02	油棉塞	Screw	(2)
30		43-10150000-00	梭床座调节轴	Oil Wick	(2.6)
31		43-10150000-00	螺钉	Oil Wick	(1.4)
32		508-04-32	轴承挡圈	Tube	(1)
33		508-04-32	油封	Tube	(0.6)
34		508-02-33	轴承	Shuttle Asm Screw M6x12	1
35		501-04-22	轴承	Shuttle Race Adjusting Shaft	1
36		12-70400620-01L	轴承	Screw M4 L=6	1
37		508-04-37	轴承	Shuttle Bearing Ring	(2)
38		508-04-38	梭床分线弹簧片	Shuttle Oil Seal	(2)
39		508-04-39-01	螺钉	Bearing	(2)
43		508-04-43	梭床盖	Inner Hook Upper Spring	(1)
44		12-60200320-01	梭床盖	Screw M2 L=3.5	(2)
45		503-04-21	梭床盖	Inner Hook Presser Asm.,a	(1)
46		501-04-21	摆梭托组件	Inner Hook Presser Asm.,b	(1)
47		502-04-21	摆梭托组件	Shuttle Race Ring Asm.,c	(1)
48		508-04-48	螺钉	Driver Asm.	1
49		508-04-49	摆梭托	Shuttle Driver Asm.	1
50		12-60501222-01	摆梭托	Screw Sm3/16-28 L=12	1

序号 NO.	注解 NOTE	图号 REF NO.	名称	DESCRIPTION	数量 AMT
51		501-04-15	摆梭托	Shuttle Driver	1
52		508-04-52	摆梭托	Shuttle Driver	1
53		501-04-24	梭心套组件	Bobbin Case Asm.(racing Preve)	1
54		501-04-23	梭心	Bobbin	1
55		508-04-55	接油盒组件	Lower Shaft Gear Cover Asm.	1
56		508-04-56	接油盒	Lower Shaft Gear Cover	1
57		508-04-57	油毡	Lower Shaft Gear Felt	1
58		21-04308090-01	垫圈 $\Phi 4.5 \times \Phi 10 \times 0.8$	Washer 4.5x10x0.8	2
59		12-40400825-02	螺钉M4X8	Screw M4x8	2
60		16-40400825-02	螺钉组件M4X8	Screw M4 L=8	1
61		501-10-09	电线夹 #10	Cable Clip	2
62		16-40400825-02	螺钉组件M4X8	Screw M4 L=8	2
63		12-70400620-01L	螺钉M4X6	Screw M4 L=6	1
64		508-04-64	橡皮塞	Rubber Bush	2
65		508-04-65	油窗组件	Oil Tank Asm.	1
66		501-04-20	摆梭	Shuttle	1
67		502-04-20	摆梭	Shuttle(h)	1
68		508-04-68	摆梭	Shuttle(h)	1
69		508-04-69	梭壳	Bobbin Case Asm.	1
70		508-04-70	梭芯	Bobbin	1

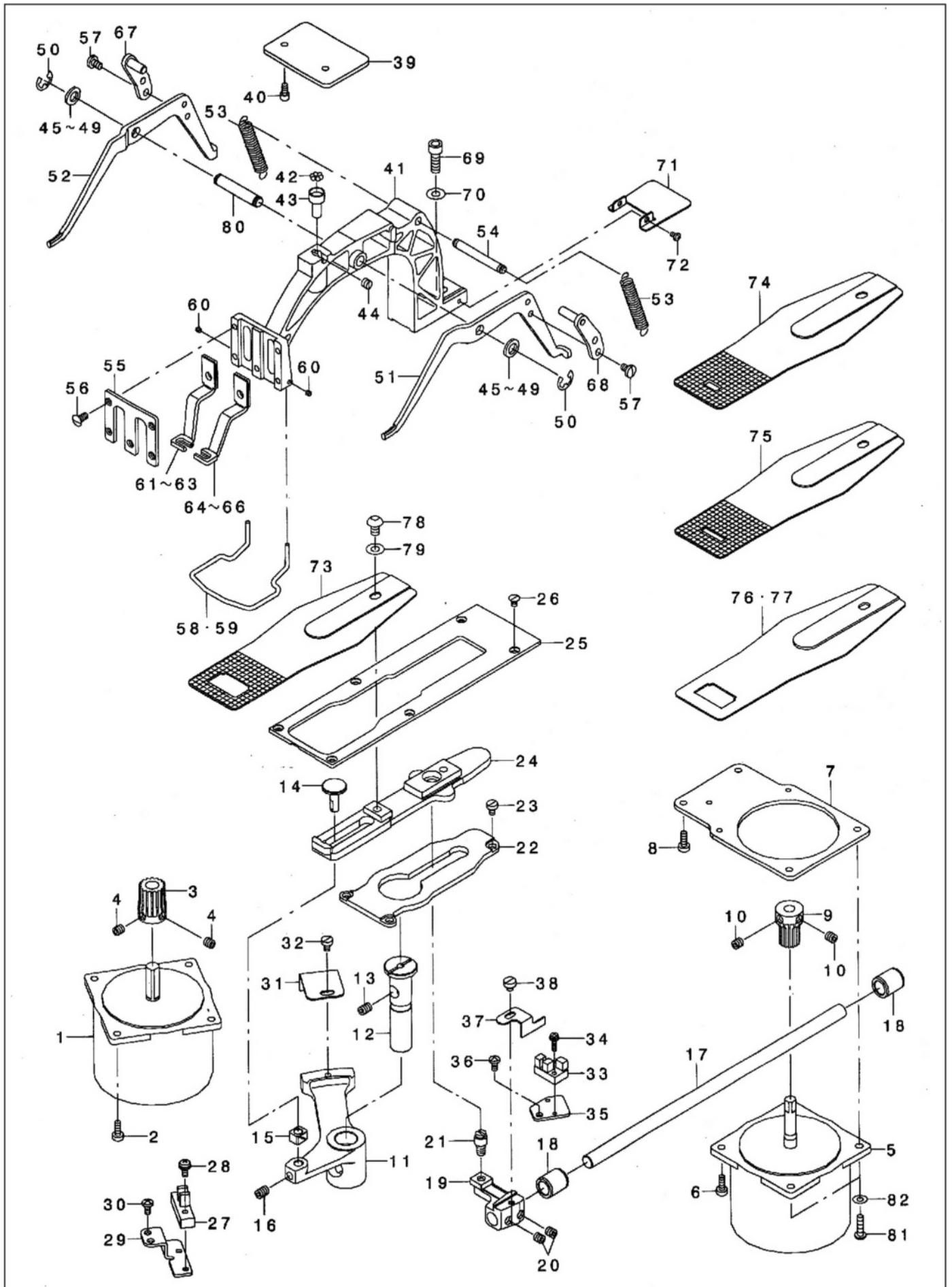


序号 NO.	注解 NOTE	图号 REF NO.	名称	DESCRIPTION	数量 AMT
1		508-05-01	松线电磁铁	At Solenoid	1
2		12-60400622-01	松线电磁铁螺钉M4X6	Screw M4 L=6	4
3		24-09000000-08	卡簧E9	E-ring	1
4		508-05-04	弹簧	Spring	1
5		508-05-05	松线电磁铁销	At Sol Pin	1
6		508-05-06	挡圈	At Sol Collar	1
7		12-80300412-01	螺钉M3X4	Screw	2
8		508-05-08	松线电磁铁安装板	At Plate	1
9		12-60400822-01	安装板螺钉M4X8	Screw	2
10		21-04308090-01	垫圈Φ4.3XΦ9X0.8	Washer 4.3x9x0.8	2
11		508-05-11	松线驱动板组件(左)	At Drive Link(f)asm.	1
12		508-05-12	松线驱动板组件(右)	At Drive Link(r)asm.	1
13		508-05-13	松线驱动板安装板(右)	At Drive Link®	1
14		12-60400622-01	螺钉M4X6	Screw M4 L=6	2
15		508-05-15	松线驱动板安装板(左)	At Pivot Base(f)	1
16		12-60400820-02(薄)	螺钉M4X10	Screw M4 L=10	2
17		508-05-17	安装板铰链螺钉	At Pivot Screw	2
18		14-60403020-02	螺母M4	Nut M4	2
19		21-04005060-01	平垫片Φ4XΦ6X0.5	Plain Washer	3
20		508-05-20	轴承	At Pivot Bearing	2
21		508-05-21	松线连杆接头	At Joint	2
22		21-04005060-01	平垫片Φ4XΦ6X0.5	Plain Washer	2
23		508-05-23	松线杆接头轴承	Nt Joint Bearing	2
24		14-60302420-01	螺母M3	Nut M3	2
25		508-05-25	松线连接杆	At Connection Bar	1
26		508-05-26	弹簧销	At Snap Pin	2
27		501-07-68	夹线器组件1	Thread Tension 1 Asm.	1
28		508-05-28	夹线柱	Thread Tension Shaft	(1)
29		501-07-69	夹线螺母	Nut	(1)
30		501-07-70	夹线板	Thread Tension Disk	(2)
31		501-07-72	夹线弹簧	First Thread Tension Spring	(1)
32		508-05-32	夹线器组件2	Thread Tension 2 Asm.	1
33		530-02-04-06	夹线器座	Thread Tension Post Base	(1)
34		530-02-04-01	夹线器盖	Disk Stopper Holder Cap	(1)
35		530-02-04-05	松线钉紧固螺母M2	Thread Tension Shaft Collar	(1)
36		508-05-36	弹簧	Disk Stopper Spring	(3)
37		530-02-04-02	松线止动卡盘	Disk Stopper	(1)
38		530-02-04-04	夹线器固定座	Assy Thread Tension Post	(1)
38-1		530-02-04-05	夹线螺柱	Assy Thread Tension Post	(1)
38-2		101.03-24	夹线板	Bobbin Winder Tension Disc	(2)
39		12-80300412-01	螺钉M3X4	Post Base Screw	(1)
40		101-03-20	挑线弹簧	Thread Take-up Spring	(1)
41		12-30250620-02	螺钉M2.5X4	Hold Cap Screw	(3)
42		14-60201510-01	螺母M2	Shaft Nut	(1)
43		25-17000000-08	卡簧	Post Base C Ring	(1)
44		508-05-44	松线钉	Thread Tension Shaft	(1)
45		508-05-45	油毡	At-felt	1
46		16-40400825-02	螺钉组件M4X8	Screw M4 L=8	1
47		12-80601612-01	夹线器固定螺钉M6X16	Screw M6 L=16	1





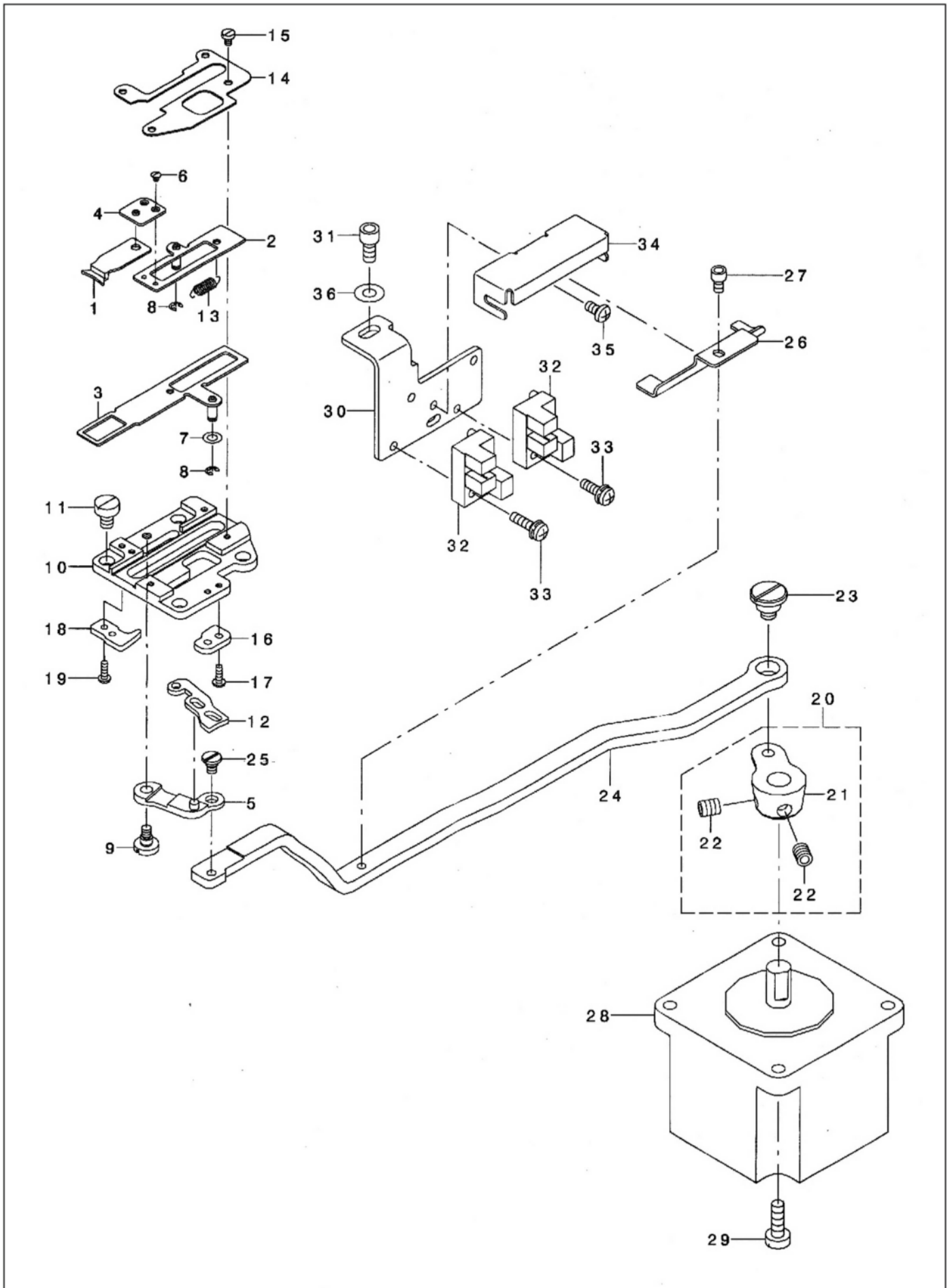
序号 NO.	注解 NOTE	图号 REF NO.	名称	DESCRIPTION	数量 AMT
1		508-06-01	剪线凸轮	Thread Trimmer Cam	1
2		12-80500512-01	剪线凸轮固定螺钉M5X5	Screw M5 L=5	2
3		21-04308090-01	垫圈Φ4.5XΦ10X0.8	Washer 4.5x10x0.8	1
4		508-03-06	切线滚轮轴位螺钉	Utt Cam Roller Shaft	1
5		14-60403020-01	螺母M4	Nut M4	2
6		508-06-06	剪线后杠杆	Thread Trimmer Link Asm.	1
7		508-03-21	铰链螺钉 D=8 H=3.2	Hinge Screw D=8 H=3.2	1
8		14-60504020-01	螺母M5	Nut M5	1
9		508-03-09	剪线后杠杆销	Thread Trimmer Shaft	1
10		12-80600812-01	剪线后杠杆销螺钉M6X8	Screw M6 L=8	1
11		508-06-11	剪线连接杆	Connecting Bar	1
12		508-06-12	感应片	Thread_trimmer_sensor_slit	1
13		12-60400822-01	感应片固定螺钉M4X8	Screw M4 L=8	1
14		508-06-14	剪线传感器	Photo Sensor	1
15		16-40401225-02	剪线传感器螺钉M4X12	Screw M4 L=12	1
16		508-06-16	剪线传感器固定板	Thread_trimmer_sensor_base	1
17		12-40400825-01	螺钉M4X8	Screw M4x8	2
18		501-07-21-00	针板组件	Needle Plate Asm.,a	1
19		502-07-21-00	针板组件	Needleplate Asm.,h	1
20		503-07-21-00	针板组件	Needle Plate Asm.,e	1
21		501-07-29	剪线杠杆轴	Thread Cutter Lever Shaft	(1)
22		501-07-63	针板孔	Needle Hole Guide	(1)
23		502-07-63	针板孔	Needle Hole Guide	(1)
24		503-07-63	针板孔	Needle Hole Guide	(1)
25		501-07-51	螺钉3/32-56 L=2.2	Screw 3/32-56 L=2.2	(2)
26		501-07-21	针板	Needle Plate	(1)
27		501-07-37	定刀	Fixing Knife	(1)
28		11-40090425-01	固定刀螺钉9/64X40 L=4	Screw 9/64-40 L=3.5	(2)
29		501-07-30	动刀连杆	Moving Knife Link	(1)
30		501-07-28	剪线杠杆套	Thread Cutting Lever Ring	(1)
31		501-07-27	剪线杠杆组件(小)	Thread Cutter Lever Asm.,small	(1)
32		501-07-26	剪线杠杆组件(大)	Thread Cutter Lever Asm.,large	(1)
33		11-70110420-01	螺钉11/64-40 L=4.0	Screw 11/64-40 L=4.0	(1)
34		21-04508080-01	垫圈Φ4.5XΦ8X0.8	Washer4.5x8x0.8	(1)
35		11-40110725-01	螺钉11/64-40 L=7	Screw 11/64-40 L=7	(1)
36		501-07-32	动刀垫圈	Moving Knife Washer C	(1)
41		501-07-31	动刀组件	Moving Knife Asm.	(1)
42		501-07-46	动刀螺钉 D=5.0 H=0.9	Hinge Screw D=5.0 H=0.9	(1)
43		12-10400620-01	针板螺钉M4X6	Screw M4 L=6	4
44		508-03-05	滚柱	Needle Cam Roller A	1



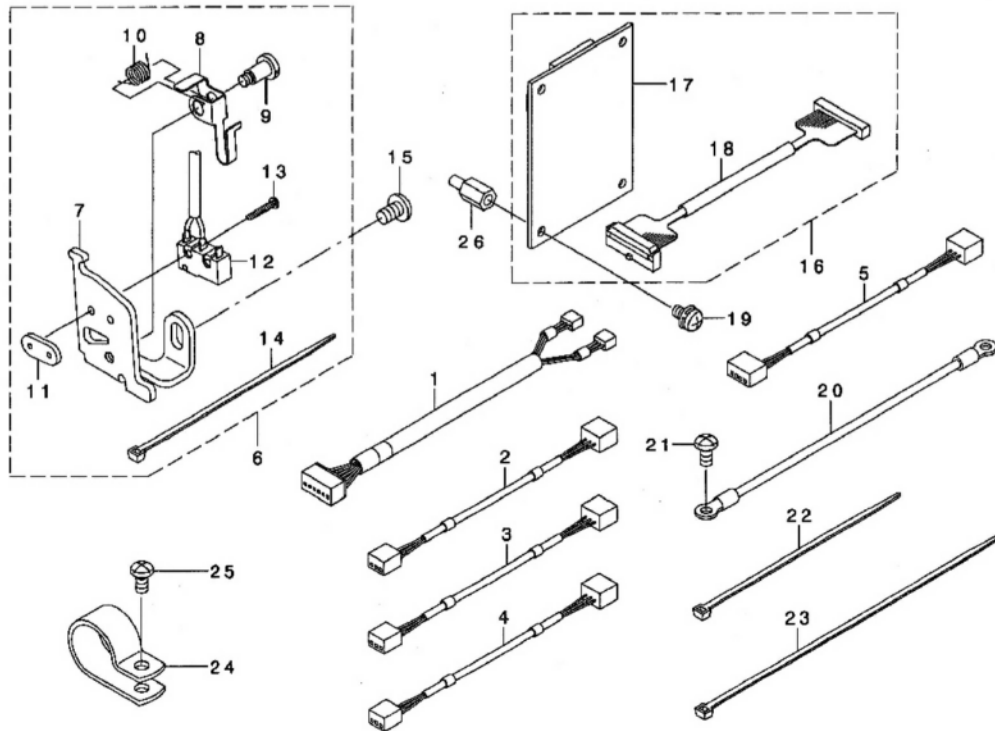


序号 NO.	注解 NOTE	图号 REF NO.	名称	DESCRIPTION	数量 AMT
1		508-07-01	X向步进电机	x feed motor	1
2		12-60401120-01	步进电机安装螺钉M4X11	screw m4 l=11	4
3		501-08-02	X向送料齿轮	x feed gear	1
4		12-80600612-01	齿轮螺钉M6X6	screw m6 l=6	2
5		508-07-05	Y向步进电机	y feed motor	1
6		12-60401120-01	螺钉M4X11	screw m4 l=11	2
7		508-07-07	Y向步进电机安装板	y_feed_motor_basa	1
8		12-60401120-01	螺钉M4X11	screw m4 l=11	2
9		501-08-05	Y向送料齿轮	y feed gear	1
10		12-80600612-01	螺钉M6X6	screw m6 l=6	2
11		508-07-11	横向送布驱动臂	cloth feed arm	1
12		501-08-24	送布驱动臂轴	feed driving arm shaft	1
13		12-80600812-01	螺钉M6X8	screw m6 l=8	1
14		501-08-18	滑块轴	slide block stud	1
15		501-02-16	滑块	square block	1
16		12-80600812-01	螺钉M6X8	screw m6 l=8	1
17		508-07-17	Y向送布轴	y feed shaft	1
18		501-08-19	Y向送布轴轴套	bushing, rear	2
19		501-08-03	Y向送料曲柄	y feed arm	1
20		11-80160612-01	螺钉1/4X40 L=6	screw 1/4-40 l=6	2
21		501-08-20	铰链销	hinge stud	1
22		508-07-22	拖布支撑板	cloth feed support plae	1
23		12-70400620-01L	拖布支撑板螺钉M4X6	screw m4 l=6	3
24		508-07-24	拖布板	cloth feed plate	1
25		508-07-25	送料压板	cloth feed presser plate	1
26		12-10400620-01	送料压板螺钉M4X6	screw m4 l=6	4
27		508-06-14	X向传感器	photo sensor	1
28		16-40401225-02	传感器螺钉M4X12	screw m4 l=12	1
29		501-08-09	X向传感器安装板	sensor installing base	1
30		12-40400825-01	X向传感器安装板螺钉	screw m4x8	2
31		501-08-08	X向送布传感器感应板	crossfeed sensor slit	1
32		12-70400620-01L	感应板螺钉M4X6	screw m4 l=6	1
33		508-03-18	Y向传感器	photo sensor	1
34		16-40301221-02	Y向传感器螺钉M3X12	screw m3 l=12	1
35		501-08-11	Y向传感器安装板	sensor installing baser	1
36		12-40400825-01	Y向传感器安装板螺钉	screw m4x8	1
37		501-08-10	Y向送布传感器感应板	lengthwise feed sensor slit	1
38		11-70110620-01薄	感应板螺钉	screw 11/64-40 l=4	1
39		508-07-39	顶板	support plate	1
40		12-60400822-01	顶板螺钉M4X8	screw m4 l=8	2
		501-08-36-00	送布架组件		1
		504-08-36-00	送布架组件 (M)		
		502-08-36-00	送布架组件		
41		501-08-36	送布架	feed bracket	1
42		501-08-26	滚珠	work clamp foot mounting base	7
43		501-08-25	滚珠架	ball retainer	1
44		11-80150510-01	滚珠座固定螺钉	screw 15/64-28 l=4.7	1
45		21-08210152-01	传动臂垫圈	washer for driving arm	2
50		24-07000000-09	卡簧E7	e-ring 7	2
51		501-08-37	抬压脚右臂	lifting lever right	1
52		501-08-38	抬压脚左臂	lifting lever leet	1
53		501-08-43	送料拉簧	cloth presser spring	2

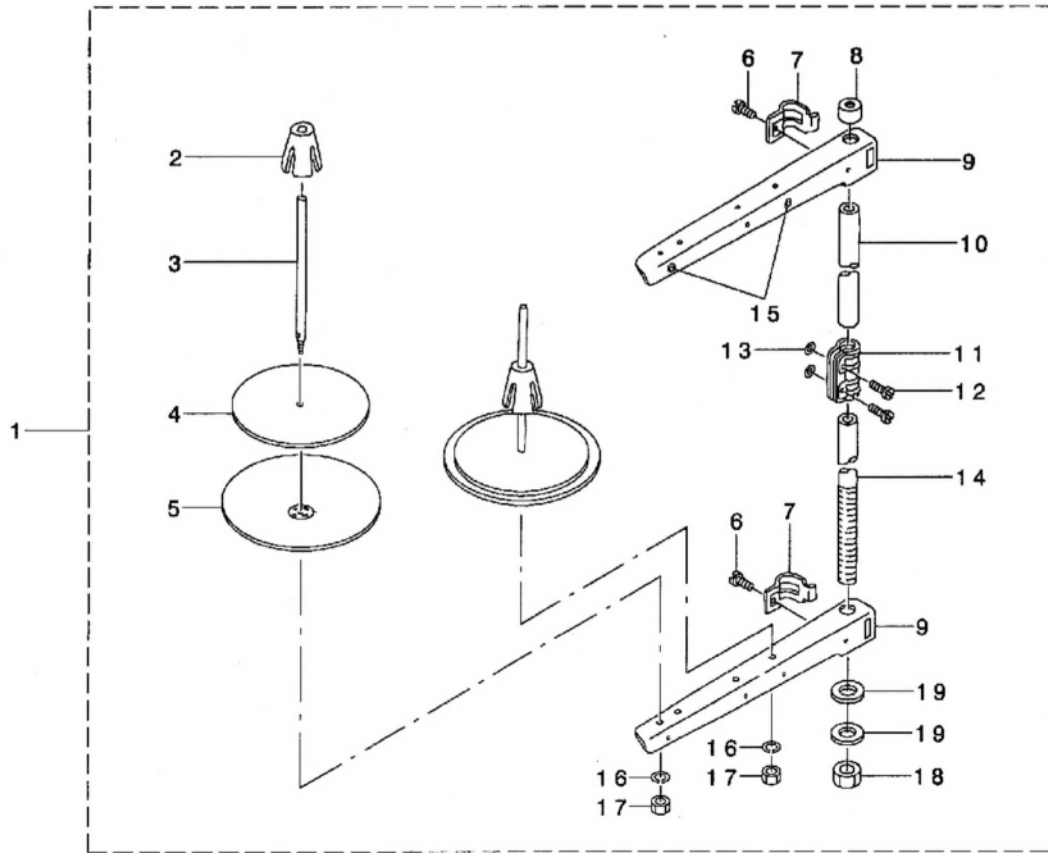
序号 NO.	注解 NOTE	图号 REF NO.	名称	DESCRIPTION	数量 AMT
54		501-08-40	拉簧销	Spring Suspension	1
55		501-08-41	压脚盖板	Work Clamp Foot Face Plate	1
56		11-20110920-01	压脚面板螺钉	Screw 11/64-40 L=8.7	5
57		11-40110725-01	螺钉11/64-40 L=7	Screw 11/64-40 L=7	4
58		501-08-23	护手托板	Finger Guard	1
59		502-08-23	护手托板	Finger Guard	1
60		11-80080310-01	螺钉1/8-44 L=2.8	Screw 1/8-44 L=2.8	2
61		501-08-47	右压脚	Work Clamp Foot,right	1
62		501-08-44	左压脚	Work Clamp Foot,left	1
63		502-08-47	右压脚	Work Clamp Foot.right	1
64		502-08-44	左压脚	Work Clamp Foot Left	1
65		504-08-47	右压脚	Work Clamp Foot,right	1
66		504-08-44	左压脚	Work Clamp Foot Left	1
67		508-07-67	右驱动板组件	Lever Driving Plate L Asm	1
68		508-07-68	左驱动板组件	Lever Driving Plate R Asm	1
69		12-60601822-01	压脚启动板曲柄螺钉	Screw M6 L=18	1
70		21-06410131-01	垫圈 Φ6.2XΦ13X1	Washer 6.2x13x1	1
71		508-07-71	铰链板	Hidden_plate	1
72		12-40300625-01	螺钉M3X5	Screw M3 L=5	2
73		501-08-14	送料板A	Feed Plate A	1
74		504-08-14	送料板B	Feed Plate B	1
75		502-08-14	送料板A	Feed Plate	1
76		503-08-14	送料板H	Feed Plate H	1
78		12-30601022-01	送料板螺钉M6X10	Screw M6 L=10	1
79		21-06410131-01	垫圈 Φ6.2XΦ13X1	Washer 6.2x13x1	1
80		501-08-39	压脚提升轴	Lifting Lever Shaft	1
81		12-40401625-01	螺钉M4X16	Screw M4 L=16	2
82		21-04308090-01	垫圈 Φ4.5XΦ10X0.8	Washer 4.5x10x0.8	2



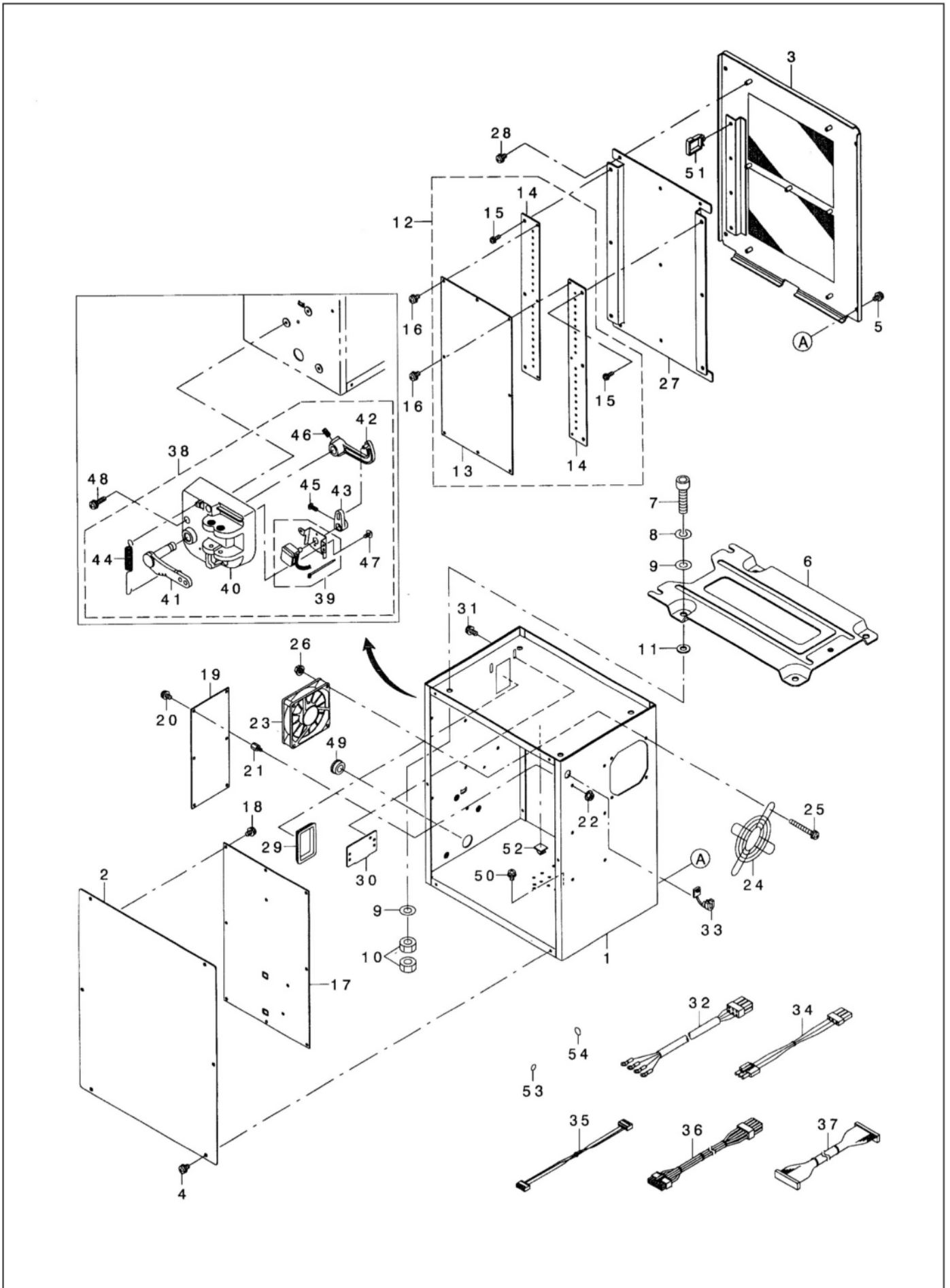
序号 NO.	注解 NOTE	图号 REF NO.	名称	DESCRIPTION	数量 AMT
1		508-08-01	夹线板	Tc Clamp	1
2		508-08-02	夹线压板	Tc Clamp Plate Asm.	1
3		508-08-03	夹线底板	Tc Support Plate Asm.	1
4		508-08-04	夹线板接板	Tc Joint Asm.	1
5		508-08-05	夹线驱动连杆	Tc-link Asm	1
6		508-08-06	螺钉M1.6X0.2 L=1.35	Screw M1.6x0.2 L=1.35	2
7		21-03205060-02	垫圈	Washer M3	1
8		24-02000000-08	卡簧E2	E-ring	2
9		508-08-09	铰链螺钉 D=4 H=2.6	Hinge Screw D=4 H=2.6	1
10		508-08-10	夹线座	Tc Base	1
11		12-70400620-01L	夹线座安装螺钉M4X6	Screw M4 L=6	4
12		508-08-12	夹线凸轮板	Tc Cam Plate	1
13		508-08-13	弹簧	Tc Spring	1
14		508-08-14	夹线座盖板	Tc Base Cover	1
15		12-70200320-01	盖板螺钉M2X2.5	Screw M2 L=2.5	4
16		508-08-16	右调整块	Tc Notch R	1
17		12-40200625-01	螺钉M2X6	Screw M2 L=6	2
18		508-08-18	左调整块	Tc Notch F	1
19		12-60200420-01	螺钉M2X4	Screw	2
20		508-08-20	夹线驱动曲柄组件	Tc_driving_arm_asm	1
21		508-08-21	夹线驱动曲柄	Tc_driving_arm	1
22		12-80500612-01	螺钉M5X6	Screw M5 L=6	2
23		508-08-23	铰链螺钉 D=8 H=4	Shoulder Screw D=8 H=4	1
24		508-08-24	夹线连接杆	Tc Connecting Link	1
25		508-08-25	铰链螺钉 D=3.5 H=1.5	Shoulder Screw D=3.5 H=1.5	1
26		508-08-26	传感器感光板	Sensor_slit	1
27		12-60300622-01	螺钉M3X5	Bolt M3x5	1
28		508-08-28	夹线步进电机	Thread Clamp Motor	1
29		12-60401220-01	夹线步进电机安装螺钉	Screw M4 L=12	4
30		508-08-30	传感器安装板	Sensor_installing_base	1
31		12-60400822-01	螺钉M4X8	Screw M4 L=8	1
32		508-03-18	夹底线传感器	Photo Sensor	2
33		16-40301025-02	螺钉 M3X10	Screw M3x10	2
34		508-08-34	防尘板	Dust_guard	1
35		12-40300625-01	螺钉M3X6	Screw M3 L=6	1
36		21-04308090-01	垫圈 Φ4.5XΦ10X0.8	Washer 4.5x10x0.8	1



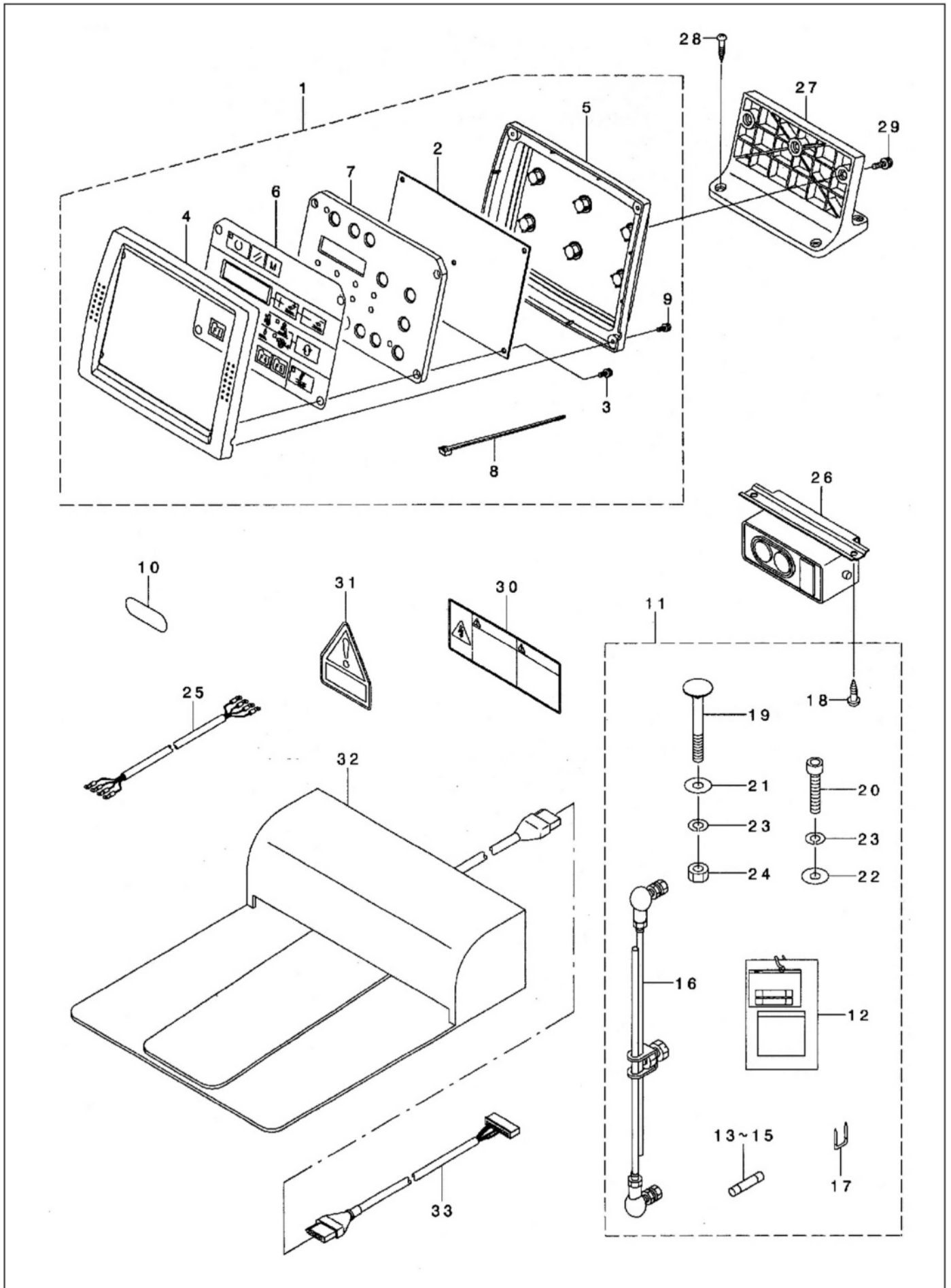
序号 NO.	注解 NOTE	图号 REF NO.	名称	DESCRIPTION	数量 AMT
1		508-09-01	拾压脚传感器电缆组件	Th Sensor Cable Asm.	1
2		508-09-02	Y电机传感器电缆组件	Y Sensor Cable Asm.	1
3		508-09-03	Pf传感器电缆组件	Pf Sensor Cable Asm.	1
4		508-09-04	X电机传感器电组件	X Sensor Cable Asm.	1
5		508-09-05	Tt传感器组件	Tt Sensor Cable Asm.	1
6		508-09-06	安全开关组件	Safety Sw Asm.	1
7		508-09-07	安全开关架	Safety Sw Base	(1)
8		508-09-08	安全开关臂	Safety Switch Arm.	(1)
9		508-09-09	轴位螺钉	Safety Sw Arm Shaft	(1)
10		508-09-10	安全开关弹簧	Safety Switch Spring	(1)
11		508-09-11	安全开关板	Safety Switch Nut	(1)
12		508-09-12	安全开关感应器组件	Safety Sw Cable Asm.	(1)
13		508-09-13	感应器固定螺钉M2X12	Screw M2 L=12	(2)
14		501-09-22	扎带100	Cable Band	(1)
15		508-01-06	螺钉M5X8	Screw	1
16		508-09-16	转接板组件	Int Pcb Asm.	1
17		508-09-17	转接板	Int Pcb	(1)
18		508-09-18	转接板电缆	Int Cable Asm.	(1)
19		508-09-19	螺钉组件M4X8	Screw M4 L=8	4
20		508-09-20	接地线组件	Head Groud Cable A Asm.	1
21		508-03-12	螺钉M4X8	Screw	1
22		501-09-22	扎带100	Cable Band	6
23		501-15-14	扎带150	Cable Band 150	3
24		501-10-11	电缆夹 #12	Cable Clip	1
25		508-03-12	螺钉M4X8	Screw	1
26		501-03-38	转接板螺钉	Stud	4



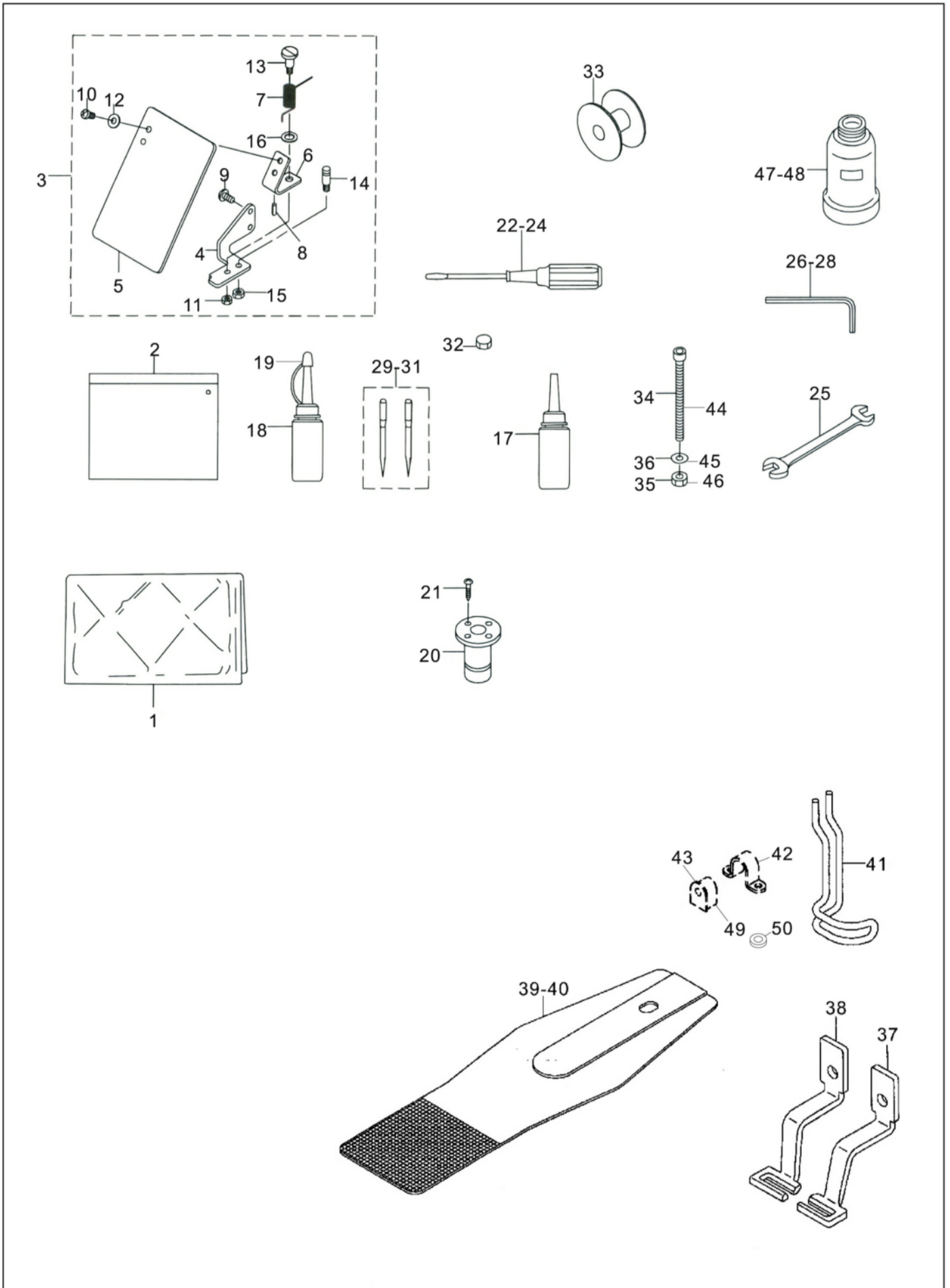
序号 NO.	注解 NOTE	图号 REF NO.	名称	DESCRIPTION	数量 AMT
1		101-11-01	二线架组件	Thread Stand Asm.	1
2		279.12-00-22	线盘芯	Spool Retainer	(2)
3		279.12-00-23	线盘钉	Spool Pin	(2)
4		279.12-00-24	线盘垫	Spool Rest Cushion	(2)
5		279.12-00-25	线圈托盘	Spool Rest	(2)
6		279.12-00-04	螺钉	Screw M6 L=16	(2)
7		279.12-00-03	线臂抱攀	Thread Guide Arm Joint	(2)
8		279.12-00-01	上直管盖帽	Spool Rest Rod Rubber Cap	(1)
9		279.12-00-08	短固线臂	Spool Rest Arm	(1)
10		279.12-00-02	线架上直管	Spool Rest Rod, Upper	(1)
11		279.12-00-15	直管接头	Spool Rest Rod Joint	(1)
12		279.12-00-16	紧固螺钉	Screw M5 L=i4	(2)
13		279.12-00-14	紧固螺母	Nut M5	(2)
14		279.12-00-19	下直管	Spool Rest Rod, Lower	(1)
15		279.12-00-13	过线扣	Thread Guide	(2)
16		279.12-00-26	弹性垫圈	Spring Washer	(2)
17		279.12-00-27	螺帽	Nut M5	(2)
18		279.12-00-20	螺帽	Nut M16x1.5	(2)
19		279.12-00-21	防震垫	Washer 16x30x2.6	(2)



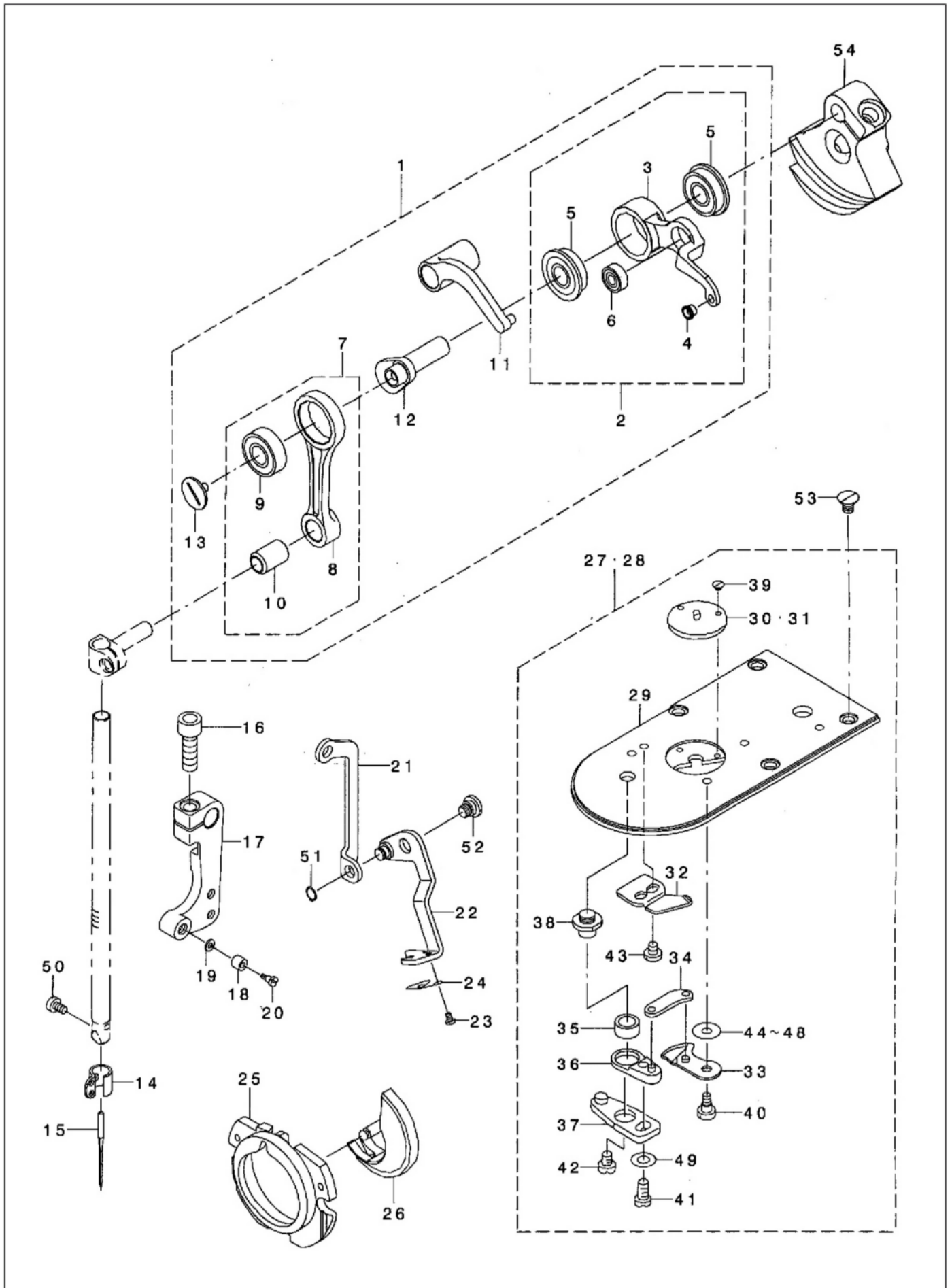
序号 NO.	注解 NOTE	图号 REF NO.	名称	DESCRIPTION	数量 AMT
1		508-11-01	控制器组件	Conrtol Box Asm.	1
38		508-11-02	脚踏控制器组件	Pedal Sensor Asm.	1



序号 NO.	注解 NOTE	图号 REF NO.	名称	DESCRIPTION	数量 AMT
1		508-12-01	操作盘组件	Opetation Box A Asm.	(1)
2		101-12-08	木螺钉D=5.1 L=20	Wood Screw D=5.1 L=20	6
3		508-12-03	开关组件	Switch	(1)
4		508-12-04	脚踏拉杆组件	Connecting Rod Asm B	1
5		508-12-05	螺栓 M8X70	Bolt M8x70	2
6		21-08220151-01	垫圈 M8	Washer M8	3
7		22-08000000-08	弹性垫圈 M8	Spring Washer M8	3
8		14-60806020-01	螺母 M8	Nut M8	2
9		12-60804022-01	螺钉M8X40	Screw M8 L=40	1

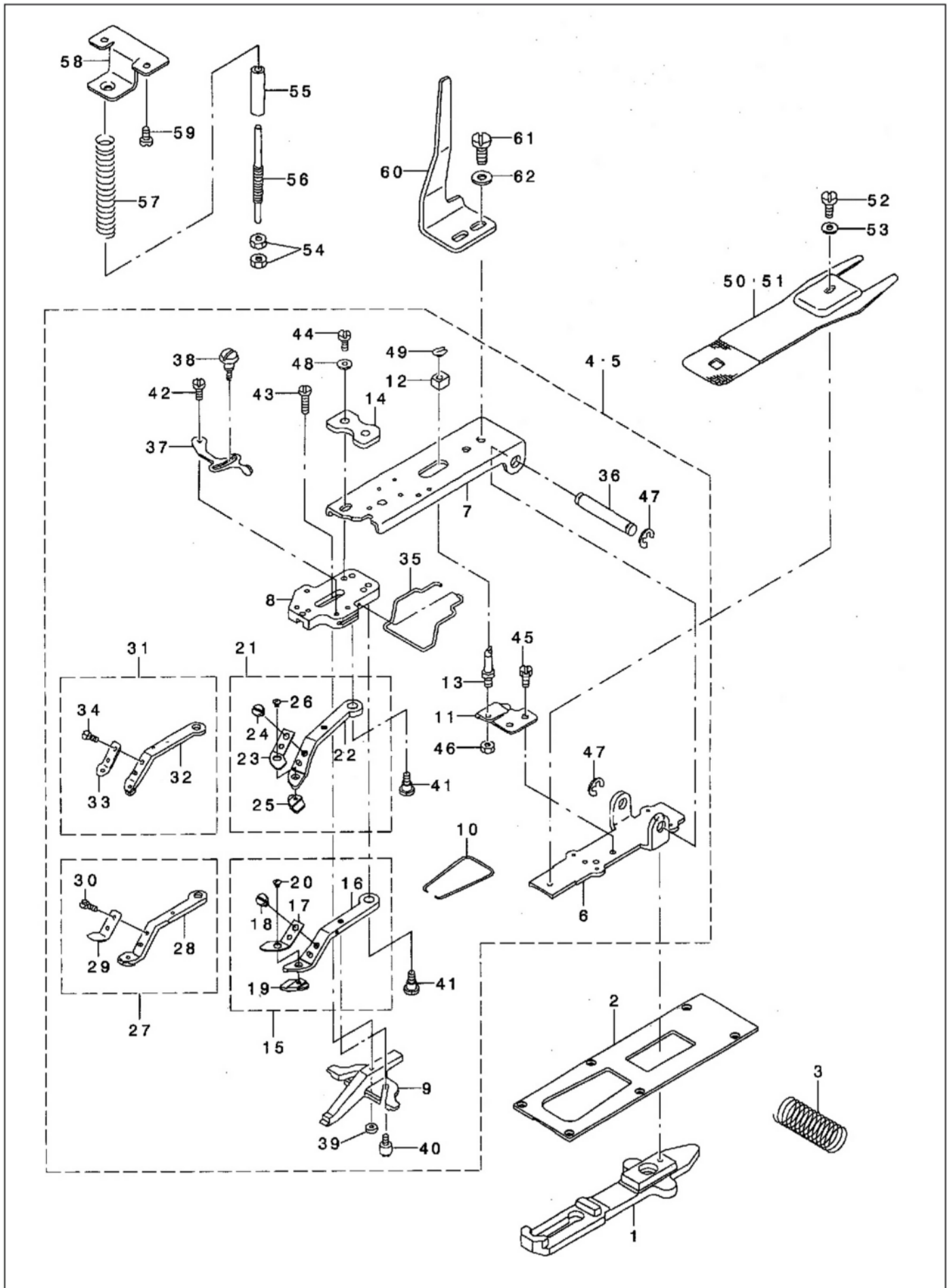


序号 NO.	注解 NOTE	图号 REF NO.	名称	DESCRIPTION	数量 AMT
1		508-13-01	机头袋	Hear Cover	1
3		508-13-03	安全板组件	Safety Plate Asm	1
4		508-13-04	安全板安装座	Safety Plate Base	1
5		501-15-01-02	安全板	Safety Plate	1
6		12-40400825-01	螺钉M4X8	Screw M4x8	2
7		12-40400825-01	螺钉M4X8	Screw M4x8	2
8		21-04508080-01	垫圈 $\Phi 4.5 \times \Phi 10 \times 0.8$	Washer 4.5x10x0.8	2
9		12-60803022-01	螺钉M8X30	Screw M8x30	1
10		22-06000000-08	弹性垫圈	Spring Washer 6.1x12.2x1.5	4
11		501-01-15	底板铰链	Bed Hinge	2
43		501-01-10	橡皮胶链	Hinge Rubber	2
12		501-01-18	连接螺钉	Grease Joint B	2
13		508-13-13	润滑脂	Grease B Tube	1
		508-13-13-01	润滑脂嘴		1
14		14-60605020-02	螺母M6	Nut M6	8
15		21-06515200-02	垫圈 $\Phi 6.5 \times \Phi 20 \times 1.5$	Washer 6.5x20x1.5	4
16		12-60606022-02	螺栓M6X60	Bolt M6 L=60	4
17		501-01-22	机头支撑杆	Head Support Bar	1
18		279-11-18	油壶	Oiler(containing No.2 Oil)	1
19		501-15-09	废油壶	Oil Can	1
20		501-15-03	废油壶盖	Oil Management	1
21		501-15-18	木螺钉 D=3.1 L=16	Wood Screw D=3.1 L=16	4
22		101-12-15	螺丝刀(大)	Screw Driver,large	1
23		101-12-16	螺丝刀(中)	Screw Driver,middle	1
24		101-12-17	螺丝刀(小)	Screw Driver,small	1
25		501-15-08	扳手 (9-10)	Wrench(9x10)	1
26		301-20-26	内六角扳手 (3)	Hexagonal Wrench,small	1
27		301-20-29	内六角扳手 (5)	Hexagonal Wrench,large	1
28		301-20-28	内六角扳手 (4)	Hexagonal Spanner	1
29		124-04-24	机针 DPX5 14#	Needle Dpx5 14#	2
30		508-02-79	机针 DPX17 21#	Needle Dpx17 21#	2
31		423-04-44	机针 DPX5 11#	Needle Dpx5 11#	2
32		508-13-32	橡皮垫	Frame_support_rebber	2
33		501-04-23	梭心	Bobbin	1
33-1		508-04-70	梭心	Bobbin	1
34		12-60606022-02	螺栓M6X60	Bolt M6 L=60	1
35		14-60605020-02	螺母M6	Nut M6	1
36		21-06515200-02	垫圈 $\Phi 6.5 \times \Phi 20 \times 1.5$	Washer 6.5x20x1.5	1
44		508-13-44	包装箱	Vinyl Cover	1
45		508-13-45	泡沫A		1
46		508-13-46	泡沫B		1
47		508-13-47	电控包装箱		1
48		508-13-48	附件包装箱		1
49		508-13-49	使用说明书/零件样本		1
50		508-13-50	台板机架组件		1
51		508-13-51	台板机架组件		1





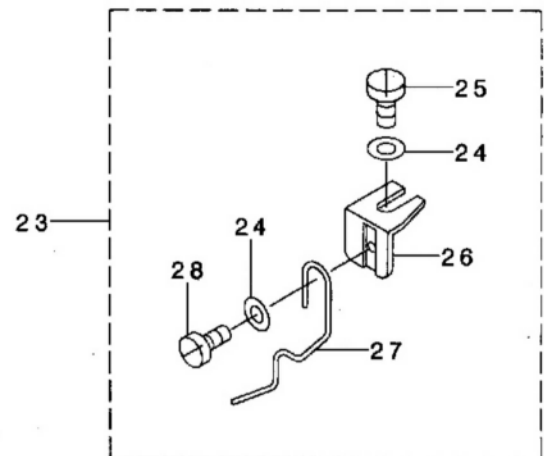
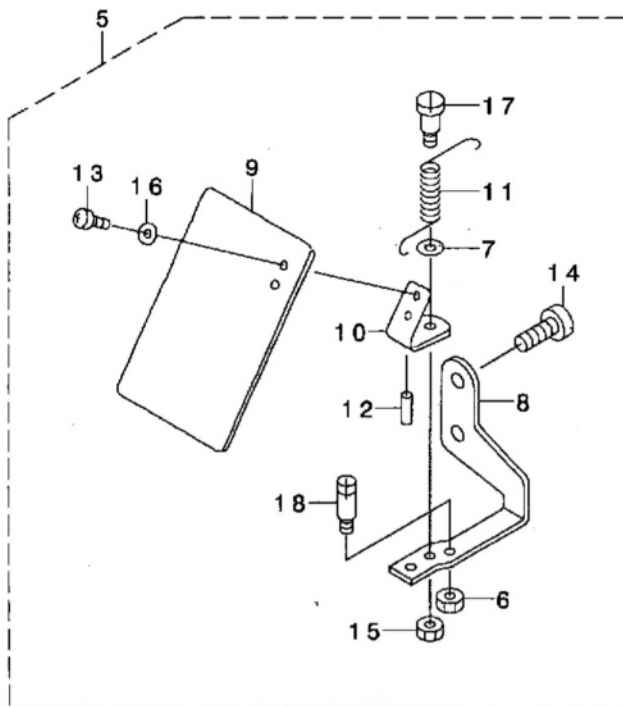
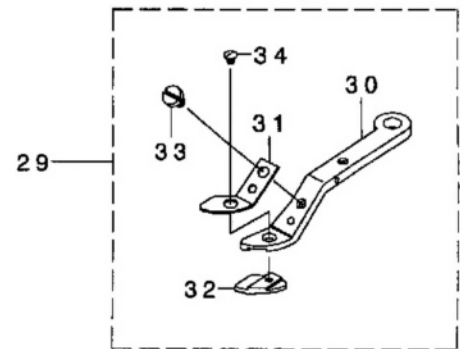
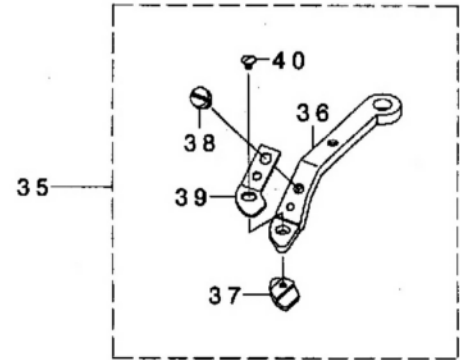
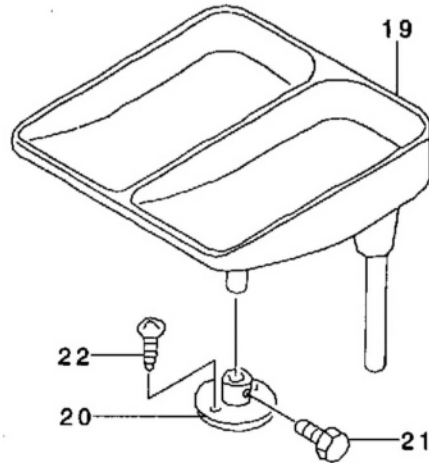
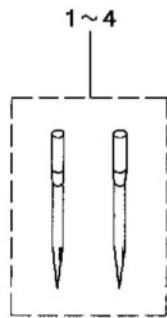
序号 NO.	注解 NOTE	图号 REF NO.	名称	DESCRIPTION	数量 AMT
1		508-17-01	挑线杆组件	Thread Take Up B Compl.	1
2		508-17-01-01	挑线杆小组件	Thread Take Up Lever B Asm.	-1
3		508-17-01-02	挑线杆	Thread Take Up Lever B	-1
4		508-02-22	挑线杆过线扣	Thread Pass Bush	-1
5		508-02-23	轴承698LB	Bearing	-2
6		508-02-24	轴承694Z	Bearing	-1
7		508-02-26	针杆连杆组件	Needle Bar Crank Rod Asm.	-1
8		508-02-29	针杆连杆	Needle Bar Crank Rod	-1
9		508-02-27	轴承698LB	Bearing	-1
10		508-02-28	针杆连杆轴承套	Needle Bar Crank Rod Bush	-1
11		508-02-32	曲柄连杆	Thread Take Up Crank	-1
12		508-17-01-11	挑线曲柄	Needle Rod Crank B	-1
13		501-02-14-03	左旋螺钉	Left Screw	-1
14		508-02-75	针杆过线环	Deedle Bar Thread Guide	1
15		505-23-04	机针 DPX17 14#	Needle Dpx17 14#	1
16		12-60601822-01	螺钉M6X18	Screw M6 L=18	1
17		508-14-03	摆杆	Connecting Arm B	1
18		505-24-05	摆杆孔轴承套	Stop Motion Tripping Lever Cam	1
19		21-08210162-03	垫圈Φ8.2XΦ16X1	Hook Shaft Washer	1
20		505-24-04	螺钉 D=7.94 H=12.7	Hinge Screw D=7.94 H=12.7	1
21		508-14-06	拨线连接板	Wiper Connecting Palte B	1
22		508-17-22	拨线杆	Wiper Asm	1
23		11-40060325-01	螺钉3/32-56 L=2.8	Screw 3/32-56 L=2.8	2
24		505-21-02	弹簧	Spring	1
25		501-04-21	梭床盖	Inner Hook Presser Asm.,b	1
26		501-04-20	摆梭	Shuttle	1
27		508-17-27	针板组件	Needle Plate Asm.,m	1
28		508-17-28	针板组件	Needle Plate Asm.,k	1
29		501-07-21	针板	Needle Plate	-1
30		508-17-30	针板孔	Guide	-1
31		505-22-10	针板孔	Guide	-1
32		501-07-37	定刀	Fixing Knife	-1
33		501-07-31	动刀组件	Moving Knife Asm.	-1
34		501-07-30	动刀连杆	Moving Knife Link	-1
35		501-07-28	剪线杠杆套	Thread Cutting Lever Ring	-1
36		501-07-27	剪线杠杆组件(小)	Thread Cutter Lever Asm., Smal	-1
37		501-07-26	剪线杠杆组件(大)	Thread Cutter Lever Asm., Larg	-1
38		501-07-29	剪线杠杆轴	Thread Cutter Lever Shaft	-1
39		501-07-51	螺钉3/32-56 L=2.2	Screw 3/32-56 L=2.2	-2
40		501-07-46	动刀螺钉 D=5.0 H=0.9	Hinge Screw D=5.0 H=0.9	-1
41		11-40110725-01	螺钉11/64-40 L=7	Screw 11/64-40 L=7	-1
42		11-70110420-01	螺钉11/64-40 L=4.0	Screw 11/64-40 L=4.0	-1
43		11-40090425-01	固定刀螺钉	Screw 9/64-40 L=3.5	-2
44		501-07-32	动刀垫圈	Moving Knife Washer A	-1
49		21-04508080-01	垫圈Φ4.5XΦ8X0.8	Washer4.5x8x0.8	-1
50		12-60300520-01	支针螺钉M3X5	Screw M3 L=5	1
51		25-05000000-09	卡簧C5	Retaining Ring 4.7	1
52		501-05-13	拨线钩铰链螺钉	Hinge Screw D=6.35 H=2.1	1
53		12-10400620-01	螺钉M4X6	Screw M4 L=6	4
54		508-17-54	针杆曲柄	Counter_weight_b	1





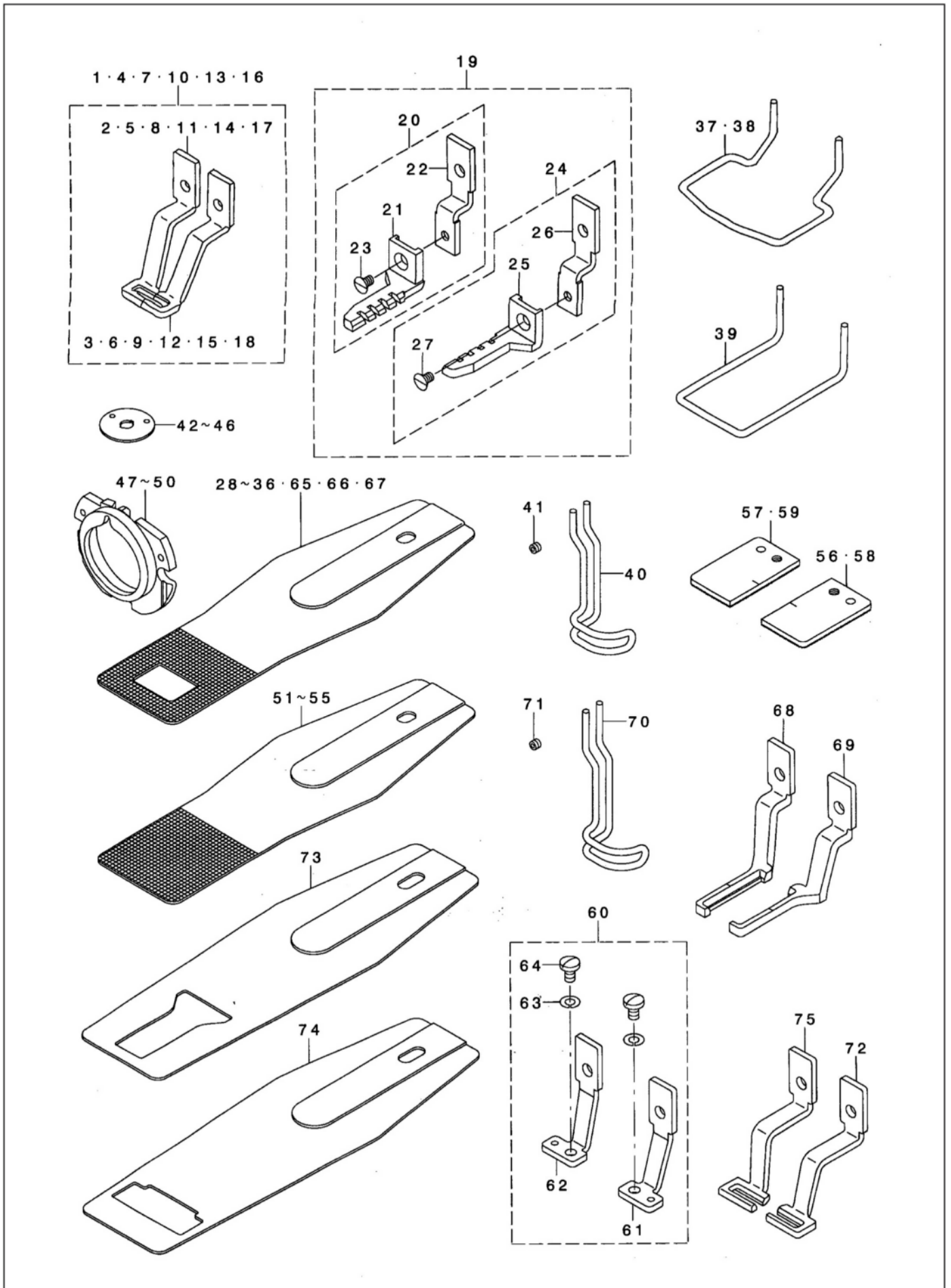
序号 NO.	注解 NOTE	图号 REF NO.	名称	DESCRIPTION	数量 AMT
1		505-22-01	拖布板	Cloth Feed Plate	1
2		508-15-01	送料压板	Croth Feed Presser Plate B	1
3		505-22-11	限位弹簧	Vertical Feed Shaft Spring	1
4		508-18-04	夹扣装置组件	Very Small Clamp Mechanism Asm.	1
5		508-18-05	夹扣装置组件	Medium Clamp Mechanism Asm.	1
6		505-22-03	拾压脚托板	Pick-up Installing Base	(1)
7		505-22-38	压脚连接安装板	Pick-up Foot Installing Base	(1)
8		505-22-25	压脚连接板	Pick-up Foot Installing Base	(1)
9		505-22-28	扣夹滑动导向爪	Button Clamp Slide	(1)
10		505-22-32	夹爪弹簧	Button Clamp Jaw Lever Spring	-1
11		505-22-34	变位支撑座	Support Plate	(1)
12		505-22-40	中心定位块	Slide Block	(1)
13		505-22-35	中心定位轴	Stationing Block Shaft	(1)
14		505-22-42	压力盘	Presser Plate	(1)
15		506-22-27	右扣夹组件	Middle Clamp Jaw Lever Asm.,r	(1)
16		506-22-27-01	右扣夹	Small Clamp Jaw Lever Asm.,l	(1)
17		506-22-27-02	右弹簧压板	Spring,right	(1)
18		11-40090425-01	弹簧压板螺钉	Screw 9/64-40 L=3.5	-1
19		506-22-27-03	右压板	Plate L,r	(1)
20		11-10060320-01	螺钉3/32-56 L=3	Screw 3/32-56 L=3	-1
21		506-22-26	左扣夹组件	Middle Clamp Jaw Lever Asm.,l	-1
22		506-22-26-01	左扣夹	Small Clamp Jaw Lever,l	(1)
23		506-22-26-02	左弹簧压板	Spring,left	(1)
24		11-40090425-01	弹簧压板螺钉	Screw 9/64-40 L=3.5	-1
25		506-22-26-03	左压板	Plate L,l	(1)
26		11-10060320-01	螺钉3/32-56 L=3	Screw 3/32-56 L=3	-1
27		508-18-27	右扣夹组件	Extra Small Clamp Lever Asm.,l	-1
28		508-18-28	右扣夹	Extra Small Clamp Lever Asm.,l	(1)
29		508-18-29	右弹簧压板	Spring,right	(1)
30		11-40090425-01	弹簧压板螺钉	Screw 9/64-40 L=3.5	-1
31		508-18-31	左扣夹组件	Extra Small Clamp Lever Asm.,l	-1
32		508-18-32	左扣夹	Extra Small Clamp Lever Asm.,l	(1)
33		508-18-33	左扣夹压板	Spring,left	(1)
34		11-40090425-01	弹簧压板螺钉	Screw 9/64-40 L=3.5	-1
35		505-22-37	夹爪弹簧	Finger Guard	-1
36		505-22-39	转动轴	Installing Shaft	-1
37		505-22-24	预开限位板	Snap Fastener Clamp Stop Lever	(1)
38		505-22-22	螺钉	Clamp Screw A	(1)
39		505-22-29	导向爪螺母	Nut	(1)
40		505-22-30	螺钉	Button Clamp Stop Pin	(2)
41		505-22-31	扣夹铰链螺钉	Hinge Screw D=6.35 H=3.9	(2)
42		505-22-23	预开杆轴位螺钉	Hinge Screw D=5.5 H=1.8	-1
43		505-22-21	螺钉 D=5.5 H=3	Hinge Screw D=5.5 H=3	(1)
44		11-90621323-01	螺钉3/16-32 L=13.5	Screw 3/16-32 L=13.5	-2
45		505-22-36	变位支撑座螺钉	Screw 11/64-40 L=4	(2)
46		13-60153320-01	螺母15/64X28	Nut 15/64-28	-1
47		24-07000000-09	卡簧E7	E-ring 7	-2
48		21-05010110-01	垫片Φ5XΦ10.5X1	Washer 5x10.5x1	-2
49		24-04000000-08	挡圈4	Snap Ping,for Connecting Rod	-1
50		505-22-09	送料板	Pressure Plate	1
51		506-22-09	送料板	Pressure Plate	1
52		11-90110523-01	螺钉	Screw 11/64-40 L=5.3	1

序号 NO.	注解 NOTE	图号 REF NO.	名称	DESCRIPTION	数量 AMT
53		21-05010110-01	垫片Φ5XΦ10.5X1	Washer 5x10.5x1	1
54		505-22-19	压力调节螺母	Thread Tension Nut	2
55		505-22-14	衬套	Sleeve	1
56		505-22-18	支撑轴	Adjusting Shaft	1
57		505-22-17	弹簧	Pressure Spring	1
58		505-22-15	支撑板	Accept Plate,upper	1
59		12-40400825-02	螺钉M4X8	Screw M4x8	2
60		505-22-13	压脚提升推板	Moving Plate	1
61		11-90151120-01	螺钉15/64-28 L=11	Screw 15/64-28 L=11	2
62		21-06225150-01	垫片Φ6.1XΦ15.2X2.5	Washer 6.1x15.2x2.5	1



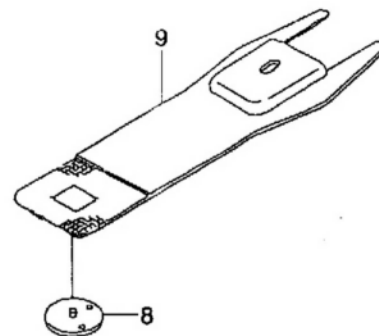
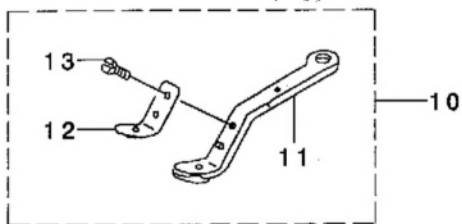
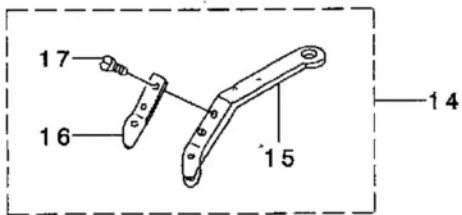
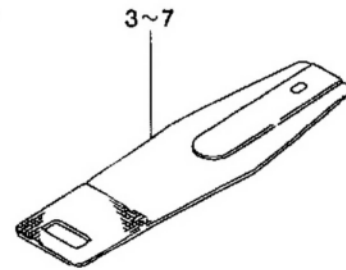
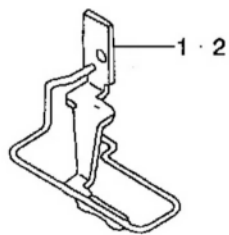


序号 NO.	注解 NOTE	图号 REF NO.	名称	DESCRIPTION	数量 AMT
2		501-02-17	机针 DPX5 16#	Needle Dpx5 16#	2
3		508-02-79	机针 DPX17 21#	Needle Dpx17 21#	2
4		505-23-04	机针 DPX17 14#	Needle Dpx17 14#	2
5		508-19-05	安全板组件	Safety Plate Asm B	1
6		509-19-09	安全板	Safety Plate	(1)
7		509-19-08	安全板安装座	Safety Plate Installing Plate	(1)
8		12-40400625-01	螺钉M4X6	Screw M4x6	-2
9		12-60401120-01	螺钉M4X11	Screw M4 L=11	-2
10		21-04508080-01	垫圈 $\Phi 4.5 \times 10 \times 0.8$	Washer 4.5x10x0.8	-2
11		505-25-01	钮扣托盘组件	Button Tray Asm.	1
12		505-25-03	托盘底座	Button Tray Base	1
13		12-60601222-01	螺钉M6X12	Screw M6 L=12	1
14		505-25-02	木螺钉 D=4.1 L=20	Wood Screw D=4.1 L=20	2
15		505-05-05	提升杆组件	Button Rising Bar Asm.	1
16		21-03805080-01	垫片 $\Phi 3.7 \times 8 \times 0.3$	Washer 3.7x8x0.3	-2
17		11-90090823-01	螺钉9/64X40 L=8	Screw 9/64-40 L=8	-1
18		505-25-05-03	提升杆座	Installing Base	-1
19		505-25-05-04	提升杆	Button Rising Bar	-1
20		11-60080320-01	螺钉1/8-44 L=2.9	Screw 1/8-44 L=2.9	-1

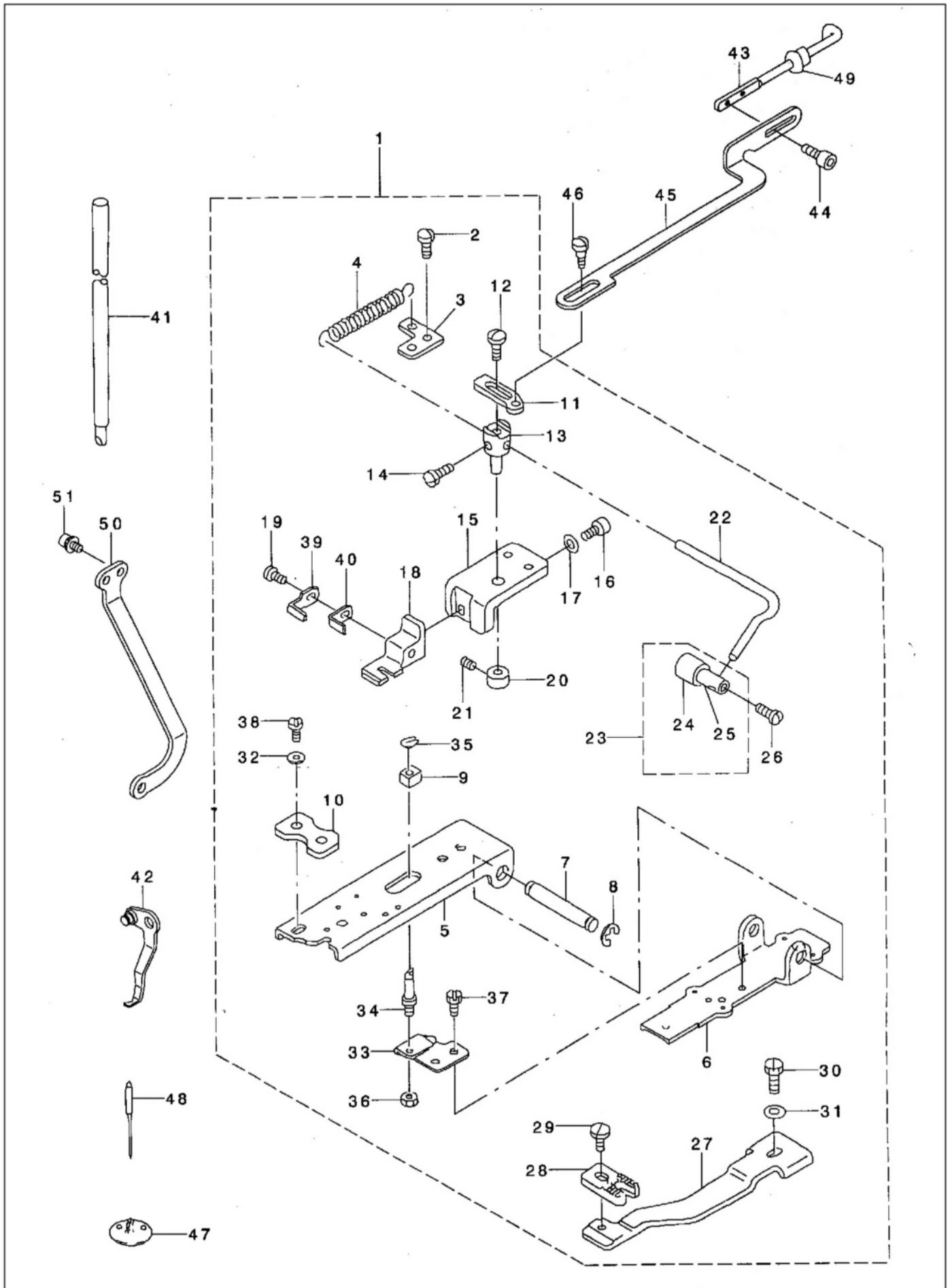


序号 NO.	注解 NOTE	图号 REF NO.	名称	DESCRIPTION	数量 AMT
1		508-20-01		Work Clamp Foot Asm.	1
2		501-08-44	右压脚	Work Clamp Foot,right	(1)
3		501-08-47	左压脚	Work Clamp Foot,left	(1)
4		508-20-04		Work Clamp Foot Asm.	1
5		508-20-05		Work Clamp Foot.right	(1)
6		508-20-06		Work Clamp Foot.left	(1)
7		508-20-07		Cloth Presser Foot Asm	1
8		508-07-63	右压脚	Work Clamr Foot.right	(1)
9		508-07-64		Work Clamp Foot Left	(1)
10		508-20-10		Work Clamp Foot Asm.	1
11		508-20-11		Work Clamp Foot,right	(1)
12		508-20-12		Work Clamp Foot Left	(1)
13		508-20-13		Presser Asm	1
14		508-07-65		Work Clamp Foot, Right	(1)
15		508-07-66		Work Clamp Foot, Left	(1)
16		508-20-16		Work Clamp Foot Asm.	1
17		508-20-17		Cloth Presser Foot (right)	(1)
18		508-13-38		Cloth Presser Foot (left)	(1)
19		508-20-19		Work Clamp Foot Asm.	1
20		508-20-20		Work Clamp Foot Asm.,right	(1)
21		508-21-21		Cloth Presser Foot (right)	(1)
22		508-20-22		Presser Foot Sliding Plate®	(1)
23		509-15-27		Screw 11/64-40 L=5.5	(1)
24		508-20-24		Work Clamp Foot Asm.,left	(1)
25		508-20-25		Cloth Presser Foot (left)	(1)
26		508-20-26		Presser Foot Sliding Plate(I)	(1)
27		509-15-27		Screw 11/64-40 L=5.5	(1)
28		501-08-14		Feed Plate A	1
29		508-07-77		Feed Plate D	1
30		508-20-30		Feed Plate C	1
31		508-20-31		Feed Plate	1
32		508-20-32		Feed Plate	1
33		508-20-33		Feed Plate F	1
34		508-07-74		Feed Plate B	1
35		508-13-39		Feed Plate E	1
36		508-20-36		Feed Plate G	1
37		501-08-23		Finger Guarde	1
38		508-07-59		Finger Guard	1
39		508-13-41		Finger Guard	1
40		508-20-40		Finger Guard	1
41		508-20-41		Setscrew	1
42		501-07-63		Needle Hole Guide	1
43		508-20-43		Needle Hole Guide B	1
44		508-06-23		Needle Hole Guide	1
45		508-06-24		Needle Hole Guide	1
46		508-20-46		Needle Hole Guide	1
47		508-20-47		Inner Hook Presser Asm.,a	1
48		508-04-46		Inner Hook Presser Asm.,b	1
49		508-20-49		Shuttle Race Ring Asm.,c	1
50		508-20-50		Shuttle Race Ring Asm.,d	1
51		508-20-51		Feed Plate Blank A	1
52		508-20-52		Feed Plate Blank B	1

序号 NO.	注解 NOTE	图号 REF NO.	名称	DESCRIPTION	数量 AMT
53		508-20-53		Feed Plate Blank C	1
54		508-20-54		Feed Plate Blank D	1
55		508-20-55		Feed Plate Blank E	1
56		508-20-56		Cloth Presser Blank,r(surface)	1
57		508-20-57		Cloth Presser Blank,l(surface)	1
58		508-20-58		Cloth Presser Blank Right	1
59		508-20-59		Cloth Presser Blank Left	1
60		508-20-60		Work Clamp Foot Asm.	1
61		508-20-61		Work Clamp Foot Asm.,right	(1)
62		508-20-62		Work Clamp Foot Asm.,left	(1)
63		508-20-63		Spring Washer 4.5x8.5x1	(2)
64		508-20-64		Screw 11/64-40 L=7	(2)
65		508-07-76		Feed Plate H	1
66		508-13-40		Feed Plate I	1
67		508-07-75		Feed Plate	1
68		508-20-68		Work Clamp Foot A,left	1
69		508-20-69		Work Clamp Foot A,right	1
70		508-20-70		Finger Guarde	1
71		508-20-71		Setscrew	1
72		508-20-72		Cloth Presser Foot B, Right	1
73		508-20-73		Cloth Presser Lower Plate A	1
74		508-20-74		Cloth Presser Lower Plate B	1
75		508-20-75		Cloth Presser Foot B, Left	1



序号 NO.	注解 NOTE	图号 REF NO.	名称	DESCRIPTION	数量 AMT
1		509-21-01		Work Clamp Foot Asm.	1
2		509-21-02		Work Clamp Foot Asm.	1
3		509-21-03		Feed Palte	1
4		509-21-04		Feed Palte	1
5		509-21-05		Feed Palte	1
6		509-21-06		Cloth Presser Plate	1
7		509-21-07		Cloth Presser Lower Plate	1
8		509-21-08		Guide	1
9		509-21-09		Pressure Plate	1
10		509-21-10		Large Clamp Jaw Lever Asm.,r	1
11		509-21-11		Large Clamp Jaw Lever Asm.,r	(1)
12		509-21-12		Spring,rihr	(1)
13		509-21-13		Screw 9/64-40 L=3.5	(1)
14		509-21-14		Large Clamp Jaw Lever Asm.,l	1
15		509-21-15		Large Clamp Jaw Lever Asm.,r	(1)
16		509-21-16		Spring,left	(1)
17		509-21-17		Screw 9/64-40 L=3.5	(1)
18		509-21-18		Guide	1



序号 NO.	注解 NOTE	图号 REF NO.	名称	DESCRIPTION	数量 AMT
1		509-22-01		Pick-up device compl.	1
2		501-07-54		Screw 11/64-40 l=7	(2)
3		509-22-03		Lever spring hook	(1)
4		509-22-04		Button support lever spring	(1)
5		509-22-05		Pick-up foot installing base	(1)
6		509-22-06		Pick-up installing base	(1)
7		509-22-07		Installing shaft	(1)
8		508-07-50		E-ring 7	(2)
9		509-18-02		Slide block	(1)
10		509-22-10		Presser plate	(1)
11		509-22-11		Button support release lever	(1)
12		508-07-57		Screw 11/64-40 l=7	(1)
13		509-22-13		Button support lever shaft	(1)
14		508-07-57		Screw 11/64-40 l=7	(1)
15		509-22-15		Button clamp base	(1)
16		509-22-16		Screw	(1)
17		509-22-17		Washer 4.8x11.5x2	(1)
18		509-22-18		Button clamp base	(1)
19		509-22-19		Screw 9/64-40 l=4.6	(1)
20		509-22-20		Thrust collar d=6.35 w=8	(1)
21		509-22-21		Screw 11/64-40 l=3.5	(1)
22		509-22-22		Button support lever	(1)
23		509-22-23		Button support rubber asm.	(1)
24		509-22-24		Button support rubber	(1)
25		509-22-25		Shank button holding clamp	(1)
26		508-07-57		Screw 11/64-40 l=7	(1)
27		509-22-27		Feed plate	(1)
28		509-22-28		Feed plate, a	(1)
29		508-07-57		Screw 11/64-40 l=4.3	(1)
30		509-22-30		Screw 11/64-40 l=9.5	(1)
31		509-22-31		Washer 4.8x11.5x2	(1)
32		501-07-45		Washer 5x10.5x1	(1)
33		509-22-33		Support plate	(2)
34		509-22-34		Stationing block shaft	(1)
35		509-22-35		Snap ring, for connecting rod	(1)
36		509-22-36		Nut 15/64-28	(1)
37		509-22-37		Screw 11/64-40 l=4	(2)
38		509-22-38		Screw 3/16-32 l=13.5	(2)
39		509-22-39		Button clamp support, front	(1)
40		509-22-40		Button clamp support, rear	(1)
41		509-22-41		Needle bar	1
42		509-22-42		Wiper asm.	1
43		509-22-43		Moving plate link a	1
44		509-22-44		Screw 9/64-40 l=6	2
45		509-22-45		Button support link	1
46		509-22-46		Hinge screw d=6.35 h=3.2	1
47		509-22-47		Needle hole guide	1
48		509-22-48		Needle tqx3 #14	1
49		509-22-49		Bushing	1
50		509-22-50		Connecting link	1
51		509-22-51		Bolt	2