



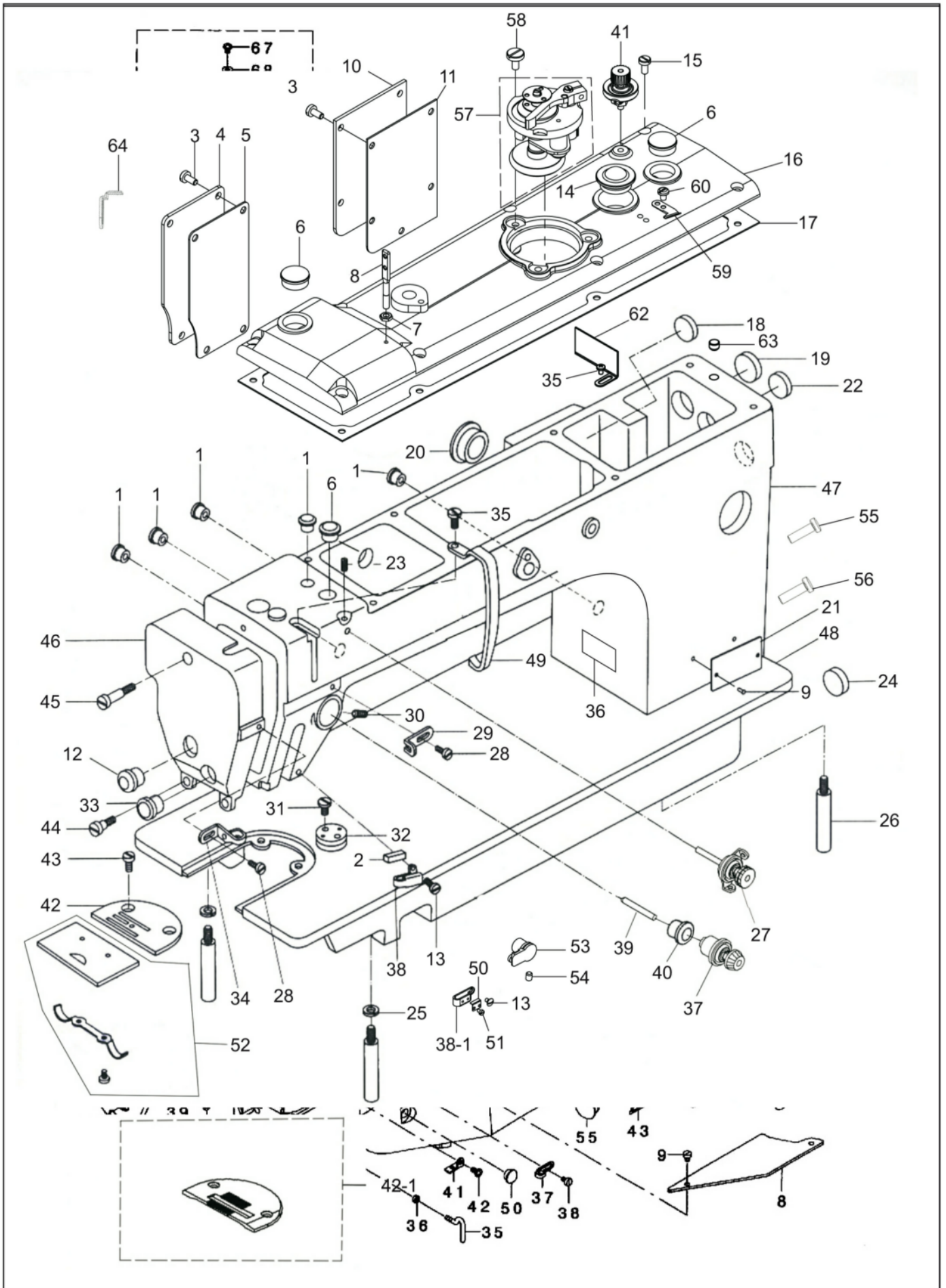
MAUSER
S P E Z I A L

MH-1341
Single Needle
Top And Bottom Feed
Lockstitch Sewing Machine

Parts List

Courtesy of:



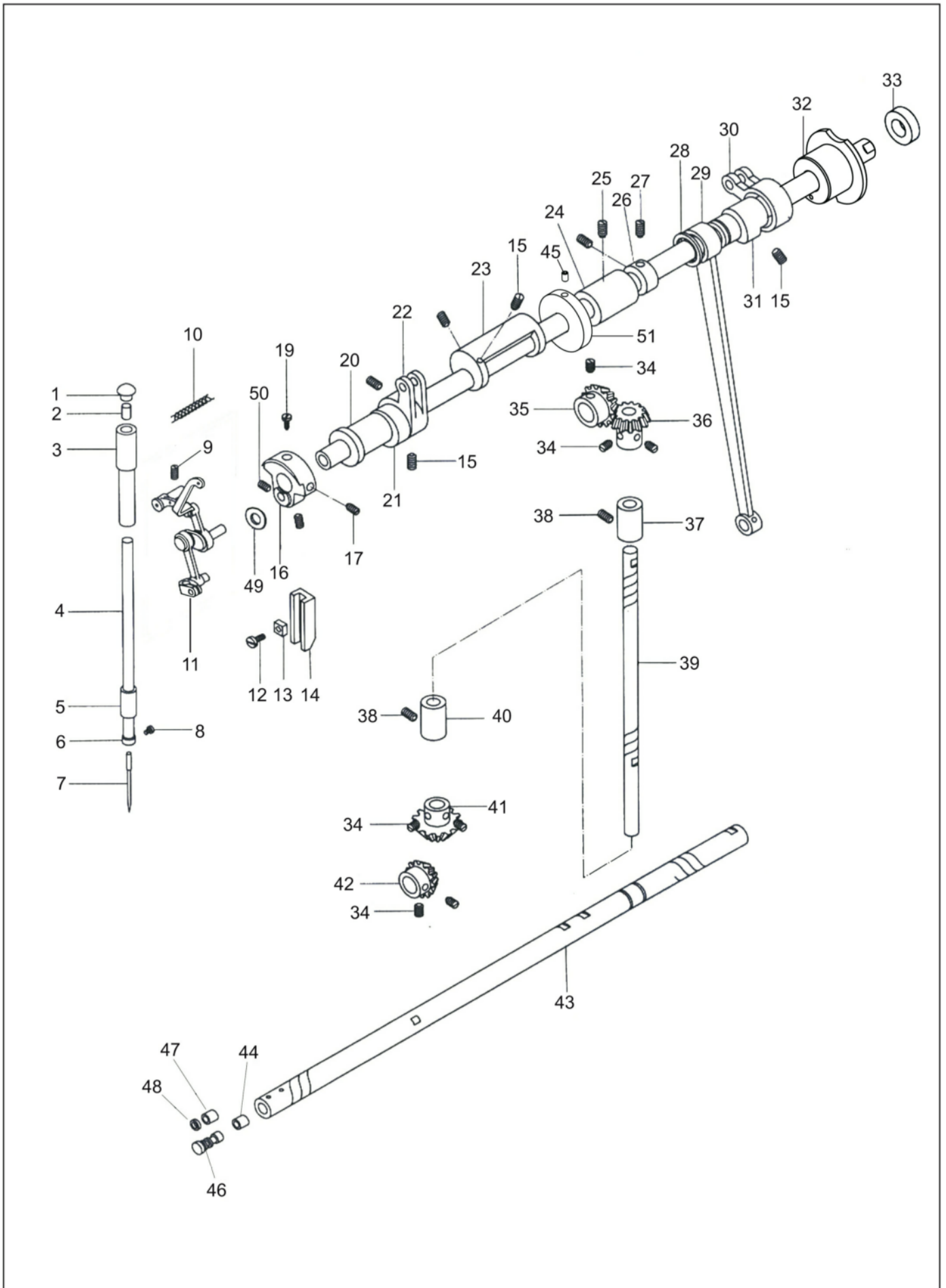




序号 NO.	图号 REF NO.	名称	DESCRIPTION	数量 AMT			
				A	B	C	D
1	120-02-16	橡皮塞	Rubber Plug Ø8.8	5	5	5	5
2	1300-01-02	下过线勾毛毡	Oli Felt	1	1	1	1
3	11-60111020-01	后盖板螺钉	Screw Sm11/64x40 L=10	9	9	9	9
4	1300-01-04	侧盖板	Back Cover	1	1	1	1
5	1300-01-05	侧盖板垫片	Gasket For Back Cover	1	1	1	1
6	120-01-30	橡皮塞	Rubber Plug Ø19	3	3	3	3
7	13-60113020-02	过线杆螺母	Upper Thread Guide Pin Nut	1	1	1	1
8	1300-01-08	过线杆	Upper Thread Guide Pin	1	1	1	1
9	101-01-14	铭牌铆钉	Model Plate Rivet	2	2	2	2
10	1300-01-10B	后盖板	Side Plate	1	1	1	1
11	01-129C-640L	后盖板垫片	Side Plate Gasket	1		1	
12	120-01-30	橡皮塞	Rubber Plug Ø19	1	1	1	1
13	11-70090720-02	下过线勾螺钉	Screw Sm9/64x40 L=7	1	1	1	1
14	114-01-20-01	油窗	Oli Sight Window	1	1	1	1
	114-01-20-02	橡胶垫	Rubbet Washer	1	1	1	1
15	11-60111120-01	上盖板螺钉	Screw Sm11/64x40 L=11	8	8	8	8
16	1302-01-16	上盖板	Top Cover	1	1	1	1
17	1300-01-17	上盖板垫片	Gasket For Top Cover	1	1	1	1
18	1300-01-22	橡皮塞 Ø23	Rubber Plug Ø23	1	1	1	1
19	1300-01-19	橡皮塞 Ø29	Rubber Plug Ø29	1	1	1	1
20	1300-01-20	橡皮塞	Rubber Plug Ø26	1	1	1	1
21	1300-01-21	型号牌	Model Plate	1	1	1	1
22	1300-01-22	橡皮塞 Ø23	Rubber Plug Ø22	1	1	1	1
23	11-80110612-01	小夹线器支紧螺钉	Set Screw Sm11/64x40 L=6	1	1	1	1
24	01-021R-1600	橡皮塞 Ø24.6	Rubber Plug Ø24.6	1	1	1	1
25	22-06000000-08	弹簧垫圈	Washer	2	2	2	2
26	101-01-15	底板撑杆	Bed Leg	4	4	4	4
27	409-11-01	小夹线器组件	Thread Tension Asm No.1	1	1	1	1
28	11-70090720-02	线勾螺钉	Screw Sm9/64 x 40 L=7	2	2	2	2
29	120-01-18	机壳线勾	Arm Thread Guide	1	1	1	1
30	11-80150710-01	夹线调节座固定螺钉	Screw Sm15/64x28 L=7	1	1	1	1
31	11-20110850-02	夹边座螺钉	Screw Sm11/64x40 L=5.5	1	1	1	1
32	CMB-BJ002400	夹边座	Connecting Rod	1	1	1	1
33	120-01-06	面板橡皮塞	Face Rubber Plug Ø11.8	1	1	1	1
34	120-01-07	面板线勾	Thread Guide On Face Plate	1	1	1	1
35	11-40110625-01	挑线杆防护罩螺钉	Screw Type Tension Stud Sm11/64x40 L=6	3	3	3	3
36	44-00000001-00	安全指示牌	Safety Label	1	1	1	1
37	1300-01-37	夹线器组件	Thread Tension Asm.	1	1	1	1
38	1300-01-38	下过线勾	Arm Thread Guide Plate(low)	1		1	
38-1	1302-01-38	下过线勾	Arm Thread Guide Plate(low)		1		1
39	1300-01-39	松线杆	Tension Releasing Pin	1	1	1	1
40	1300-01-40	夹线器密封套	Plug	1	1	1	1
41	134-02-02	绕线夹线器组件	Winding Thread Clamp Device Components	1	1	1	1
42	1300-01-55	针板	Needle Plate	1	1		
42-1	1301-01-55	针板	Needle Plate			1	1
43	11-20110850-02	针板螺钉	Screw Sm11/64x40 L=5.5	2	2	2	2
44	11-60112020-01	面板螺钉	Screw Sm11/64x40 L=20	2	2	2	2
45	11-70113020-01	面板上螺钉	Screw Sm11/64x40 L=30	1	1	1	1
46	1300-01-59	面板	Face Plate	1	1	1	1
47	1300-01-60	机壳	Arm	1			
	1302-01-01	机壳	Arm		1		
	1300-01-60B/08	机壳	Arm			1	

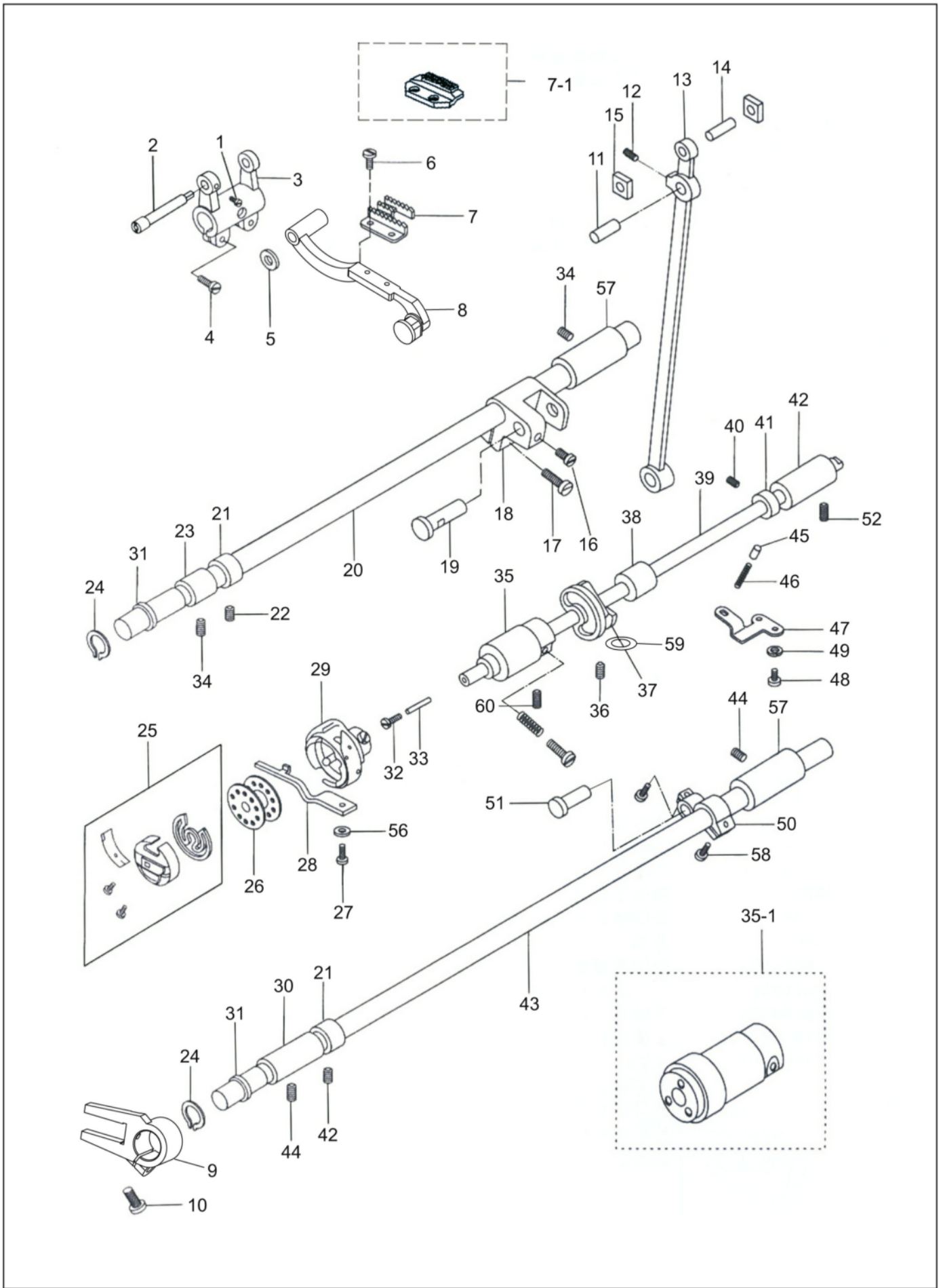


序号 NO.	图号 REF NO.	名称	DESCRIPTION	数量 AMT			
				A	B	C	D
47	1302-01-60	机壳	Arm				1
48	1300-01-61	底板	Bed		1		1
	1300-01-61B/08	底板	Bed	1		1	
49	1300-01-62	挑线杆防护罩	Thread Take-up Lever Cover	1	1	1	1
50	GP-031308-00	下过线油毡压板	Clamp		1		1
51	11-60060320-02	下过线油毡压板螺钉	Screw Sm3/32 x 56 L=3		2		2
52	1300-01-54-00	推板组件	Push Board Component	1	1	1	1
53	1281-01-14-01	电子夹线器	Electronic Thread Clamp Device		1		1
54	11-80150710-01	电子夹线器螺钉	Screw Sm15/64 x 28 L=7		1		1
55	12-61205022-01	拼装螺钉	Screw	4	4	4	4
56	KM2300-A1-06	拼装销	Pin	2	2	2	2
57	1194-02-01	绕线器组件	Winding Machine Components	1	1	1	1
58	11-70121020-02	绕线器固定螺钉	Screw Sm3/16 x 28 L=10	3	3	3	3
59	134-02-03	绕线割线刀	Trimmer Knife For Winding	1	1	1	1
60	11-00090620-01	割线刀螺钉	Screw Sm9/64 x 40 L=6	2	2	2	2
61	44-00000003-51	机针标签	Needle Label Dp×17 #22	1	1	1	1
62	1300-01-49	绕线器挡油板	Oilplate Of Winding Device	1	1	1	1
63	1300-01-50	橡皮塞	Rubber		1		1
64	1273-12-05	直角电线夹	Rectangular wire clamp		1		1





序号 NO.	图号 REF NO.	名称	DESCRIPTION	数量 AMT			
				A	B	C	D
1	120-02-16	针杆上轴套橡皮塞	Needle Bar Bushing(upper) Rubber Plugφ8.8 L=7	1	1	1	1
2	120-02-15	针杆上轴套毛毡	Felt Plug	1	1	1	1
3	04-108A-1230	针杆上轴套	Needle Bar Bushing(upper)	1	1		
4	1300-02-04	针杆	Needle Bar	1	1	1	1
5	04-103A-640L	针杆下轴套	Needle Clamp	1	1		
6	120-02-20	针杆过线环	Thread Guide For Needle Bar	1	1	1	1
7	120-02-21	机针 DP×17 #22	Needle	1	1	1	1
8	11-60080520-01	机针螺钉	Needle Clamp Screw Sm1/8 x 44 L=4.5	1	1	1	1
9	11-80151550-01	挑线连杆铰链轴螺钉	Set Screw Sm15/64 x 28 L=15	1	1	1	1
10	43-10300000-00	挑线连杆铰链轴油线	Oil Wick	0.25	0.25	0.25	0.25
11	1300-02-11	挑线杆大组件	Thread Take-up Lever Asm	1	1	1	1
12	11-60110820-01	滑块导轨螺钉	Set Screw Sm11/64 x 40 L=8	2	2		
13	120-02-25	针杆接头滑块	Slide Block	1	1		
14	120-02-23	针杆接头滑块导轨	Guide For Slide Block	1	1		
15	11-80160710-01	螺钉	Set Screw Sm1/4 x 40 L=7	6	6	6	6
16	1300-02-16	针杆曲柄	Needle Bar Crank	1	1	1	1
17	11-80181650-01	针杆曲柄螺钉	Set Screw Sm9/32 x 28 L=16	1	1	1	1
19	DSC-BF003700	针杆曲柄定位螺钉	Set Screw	1	1	1	1
20	1300-02-20	上轴前套	Upper Shaft Front Bushing	1	1	1	1
21	1300-02-21	送布凸轮(左)	Feed Lifting Cam(left)	1	1	1	1
22	1300-02-22	送布凸轮曲柄(左)	Feed Lifting Cam Crank(left)	1	1	1	1
23	1300-02-23	平衡块	Balance Cam	1	1	1	1
24	1300-02-24	上轴中轴套	Arm Shaft Bushing(middle)	1	1	1	1
25	11-80150810-01	上轴中轴套螺钉	Set Screw Sm15/64 x 28 L=8	1	1	1	1
26	02-121A-1230	上轴紧圈	Collar For Arn Shaft	1	1	1	1
27	11-80160710-01	上轴紧圈螺钉	Set Screw Sm1/4 x 40 L=7	2	2	2	2
28	25-20000000-08	轴用挡圈	Snap Ring Φ20 x 1.2	1	1	1	1
29	1300-02-29	抬牙连杆	Feed Lifting Rod	1	1	1	1
30	1300-02-30	送布凸轮曲柄(右)	Feed Lifting Cam Crank (right)	1	1	1	1
31	1300-02-31	送布凸轮(右)	Feed Lifting Cam(right)	1	1	1	1
32	1302.02-32	节能直驱上轴后套	Upper Shaft Rear Bushing(rear)	1		1	
	1302.02-32A	一体机上轴后套	Upper Shaft Rear Bushing		1		1
33	32-14170300-09	上轴后轴套油封	Oil Seal	1	1	1	1
34	11-80160710-01	伞齿轮螺钉	Gear Screw Sm1/4 x 40 L=7	8	8	8	8
35	101-05-26	上轴伞齿轮	Bevel Gear For Arm Shaft	1	1	1	1
36	101-05-25	竖轴伞齿轮(上)	Bevel Gear For Vertical Shaft(upper)	1	1	1	1
37	03-102A-1230	竖轴上轴套	Vertical Shaft Bushing (upper)	1	1	1	1
38	11-80150812-01	竖轴轴套支头螺钉	Set Screw Sm15/64 x 28 L=8	2	2	2	2
39	1300-02-39	竖轴	Vertical Shaft	1	1	1	1
40	03-103A-1230	竖轴下轴套	Vertical Shaft Bushing (lower)	1	1	1	1
41	101-05-20	竖轴伞齿轮(下)	Bevel Gear For Vertical Shaft(lower)	1	1	1	1
42	101-05-18	下轴伞齿轮	Bevel Gear For Hook Shaft	1	1	1	1
43	1302.02-44	节能直驱上轴	Main Shaft	1		1	
	1302.02-44A	一体机上轴	Main Shaft		1		1
44	101-02-11	羊毛毡垫	Roller Felt	1	1	1	1
45	12-80500612-01	绕线器主动轮螺钉	Screw M5 L=6	2	2	2	2
46	1300-02-46-01	油量调节杆	Fuel Lever	1	1	1	1
47	101-02-13	油量调节圈	Sleeve Of Oil Amount Adjusting Pin	1	1	1	1
48	31-03618000-09	O型圈	Rubber Ring	2	2	2	2
49	21-08010122-03	针杆曲柄垫片	Washer	1	1	1	1
50	11-80160612-01	挑线曲柄螺钉	Screw Sm1/4 x 40 L=6	2	2	2	2
51	1302-02-51	绕线器主动轮	Capstan	1	1	1	1

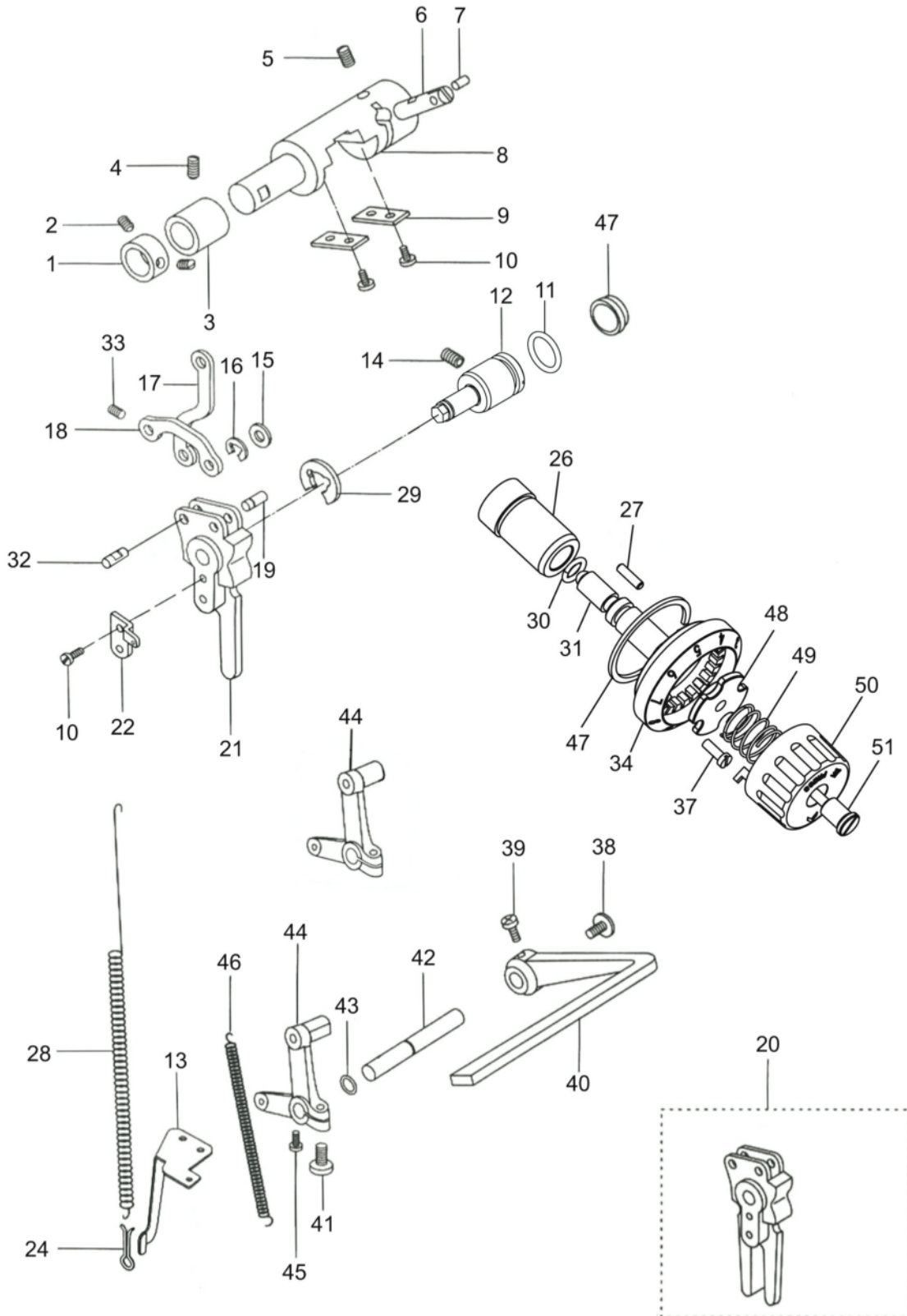




序号 NO.	图号 REF NO.	名称	DESCRIPTION	数量 AMT			
				A	B	C	D
1	11-40110625-01	牙架轴螺钉	Screw Sm11/64 x 40 L=6	1	1	1	1
2	06-168A-640L	牙架曲柄偏心轴	Eccentricity Shaft For Feed Bar	1	1	1	1
3	120-04-01	牙架曲柄	Feed Rock Shaft Crank	1	1	1	1
4	11-60121420-01	送布轴曲柄螺钉	Screw Sm3/16 x 28 L=15	2	2	2	2
5	21-06113102-03	牙架曲柄轴垫圈	Washer ϕ 10 x ϕ 6 L = 1.3	1	1	1	1
6	11-60080620-01	送布牙螺钉	Screw Sm1/8 x 44 L=6	2	2	2	2
7	1300-03-07	送布牙	Feed Dog	1	1		
7-1	1301-03-07	送布牙	Feed Dog			1	1
8	1300-03-08A	牙架	Feed Bracket	1	1	1	1
9	1300-03-09A	抬牙叉	Lifting Fork	1	1	1	1
10	11-60121420-01	抬牙曲柄(前)	Set Screw Sm3/16 x 28 L=15	1	1	1	1
11	1300-03-11	送布连杆销(下)	Pin For (short)	1	1	1	1
12	11-40110825-01	送布连杆销螺钉	Set Screw Sm11/64 x 40 L=8	1	1	1	1
13	1300-03-13	针距曲柄连杆	Feed Connecting Rod	1	1	1	1
14	1300-03-14	送布连杆销(上)	Slide Block Shaft	1	1	1	1
15	1300-03-15	送布滑块	Slide Block	2	2	2	2
16	11-60150720-01	送布曲柄销螺钉	Set Screw Sm15/64 x 28 L=7	1	1	1	1
17	11-40151525-01	送布曲柄螺钉	Set Screw Sm15/64 x 28 L=15	1	1	1	1
18	1300-03-18	送布曲柄(右)	Feed Rock Shaft Crank(right)	1	1	1	1
19	1300-03-19	送布曲柄销	Hinge Pin	1	1	1	1
20	1300-03-20	送布轴	Feed Rock Shaft	1	1	1	1
21	02-013A-3710	送布轴紧圈	Thrust Collar	2	2	2	2
22	11-80160510-01	送布轴紧圈螺钉	Screw Screw Sm1/4 x 40 L=5	4	4	4	4
23	1300-03-30	送布轴前轴套	Feed Rock Shaft Bushing(front)	1	1	1	1
24	25-15000000-08	轴用弹性挡圈	Snap Ring	2	2	2	2
25	1222-05-02	梭心套组件	Bobbin Case		1		1
	122-02-71	梭心套组件	Bobbin Case	1		1	
26	120-02-72	梭心	Bobbin	1		1	
	1222-05-03	梭心(铝)	Bobbin(aluminum)		1		1
27	11-70111120-01	旋梭定位勾螺钉	Rotating Hook Positional Screw Sm11/64 x 40 L = 11	1	1	1	1
28	07-013A-1230	旋梭定位勾	Rotating Hook Positional	1	1	1	1
29	1222-05-01	旋梭组件	Rotating Hook Complete		1		1
	122-02-68	旋梭组件	Rotating Hook Complete	1		1	
30	1300-03-30	抬牙轴轴套	Feed Lifting Rock Shaft Bushing	1	1	1	1
31	21-15020212-03	抬牙轴轴套垫圈	Washer	2	2	2	2
32	101-05-08	下轴滤油塞螺钉	Set Screw	1	1	1	1
33	101-05-09	下轴滤油塞	Oil Wick	1	1	1	1
34	11-80150510-01	送布轴轴套支头螺钉	Screw Sm15/64 x 28 L=5	2	2	2	2
35	1300-03-35	下轴前套	Hook Shaft Bushing(front)		1		1
35-1	07-107A-250A	下轴前套	Hook Shaft Bushing(front)	1		1	
36	11-80161012-01	剪线凸轮螺钉	Screw Sm1/4 x 40 L=10		2		2
37	1300-03-37	剪线凸轮	Thread Trimmer Cam		1		1
38	1300-03-38	下轴中套	Hook Shaft(middle)	1	1	1	1
39	1300-03-39	下轴	Hook Shaft	1	1	1	1
40	11-80110612-01	下轴紧圈螺钉	Screw Sm11/64 x 40 L=6	2	2	2	2
41	101-05-16	下轴紧圈	Collar For Hook Shaft	1	1	1	1
42	1300-03-42	下轴右轴套	Hook Shaft Bushing(right)	1	1	1	1
43	1300-03-43	抬牙轴	Feed Lifting Rock Shaft	1	1	1	1
44	11-80151310-01	抬牙轴轴套支紧螺钉	Screw Sm15/64 x 28 L=13	2	2	2	2
45	120-02-64	柱塞	Plunger	1	1	1	1
46	120-02-65	柱塞弹簧	Plunger Spring	1	1	1	1
47	120-02-66	挡板	Guide Plate	1	1	1	1

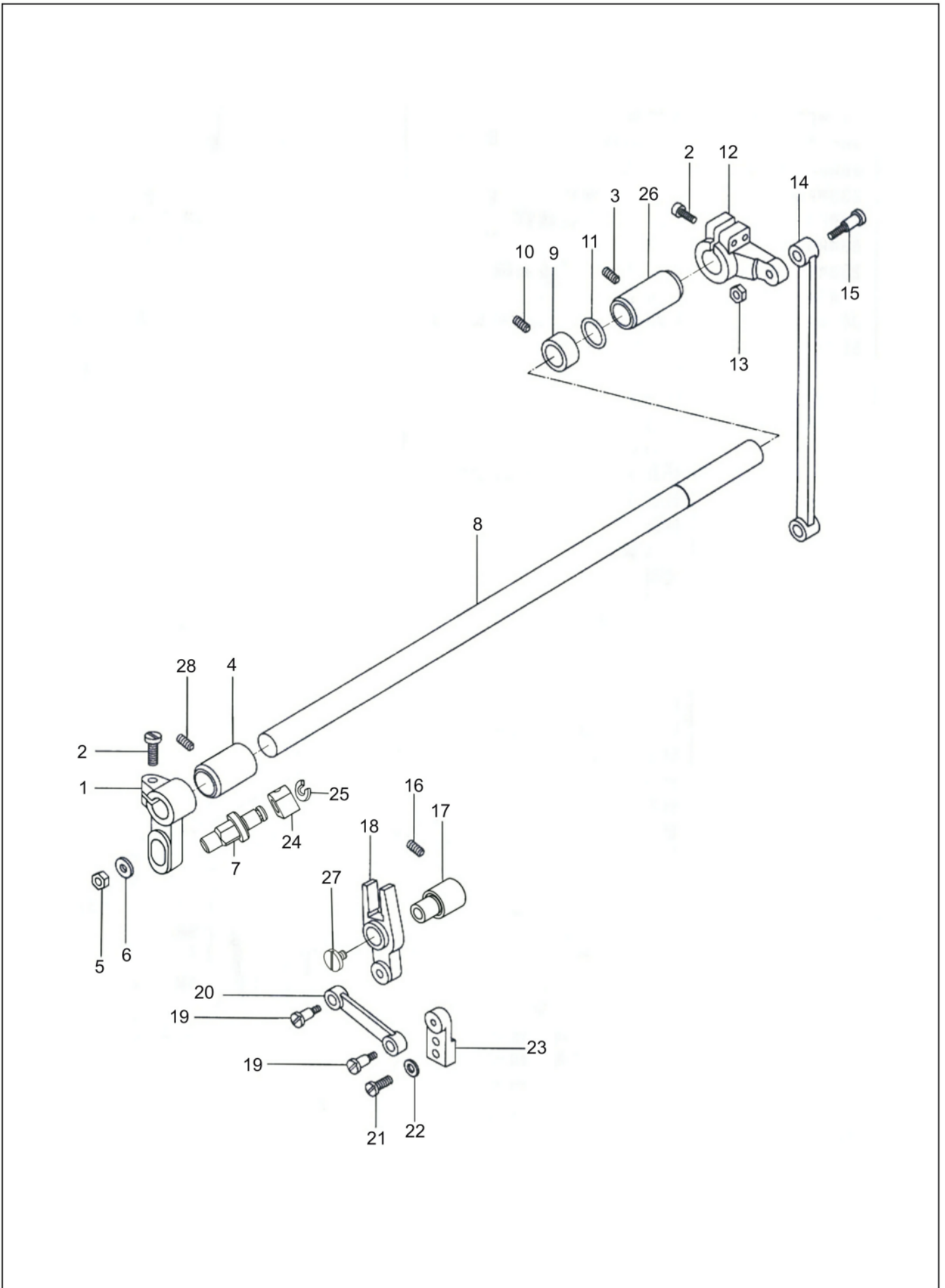


序号 NO.	图号 REF NO.	名称	DESCRIPTION	数量 AMT			
				A	B	C	D
48	11-60151020-01	挡板螺钉	Screw Sm15/64 x 28 L=10	1	1	1	1
49	22-06000000-08	挡板螺钉弹簧垫圈	Washer	1	1	1	1
50	1300-03-50	抬牙轴曲柄	Feed Lifting Rock Shaft Crank	1	1	1	1
51	1300-03-51	抬牙轴曲柄铰链销	Feed Lifting Rock Shaft Crank	1	1	1	1
52	1300-03-55	下轴轴套支头螺钉	Screw Sm15/64 x 28 L=10	1	1	1	1
56	22-05000000-08	弹簧垫片	Feed Lifting Rock Shaft Bushing (rear)	1	1	1	1
57	1300-03-57	送布抬牙轴后轴套	Bushing	2	2	2	2
58	11-40621425-01	抬牙轴曲柄螺钉	Screw Sm3/16 x 32 L=14	2	2	2	2
59	1230-09-40	剪线凸轮螺钉垫片	Spacer		2		2
60	11-80150810-01	下轴前轴套支头螺钉	Screw Sm15/64 x 28 L=8	1	1	1	1



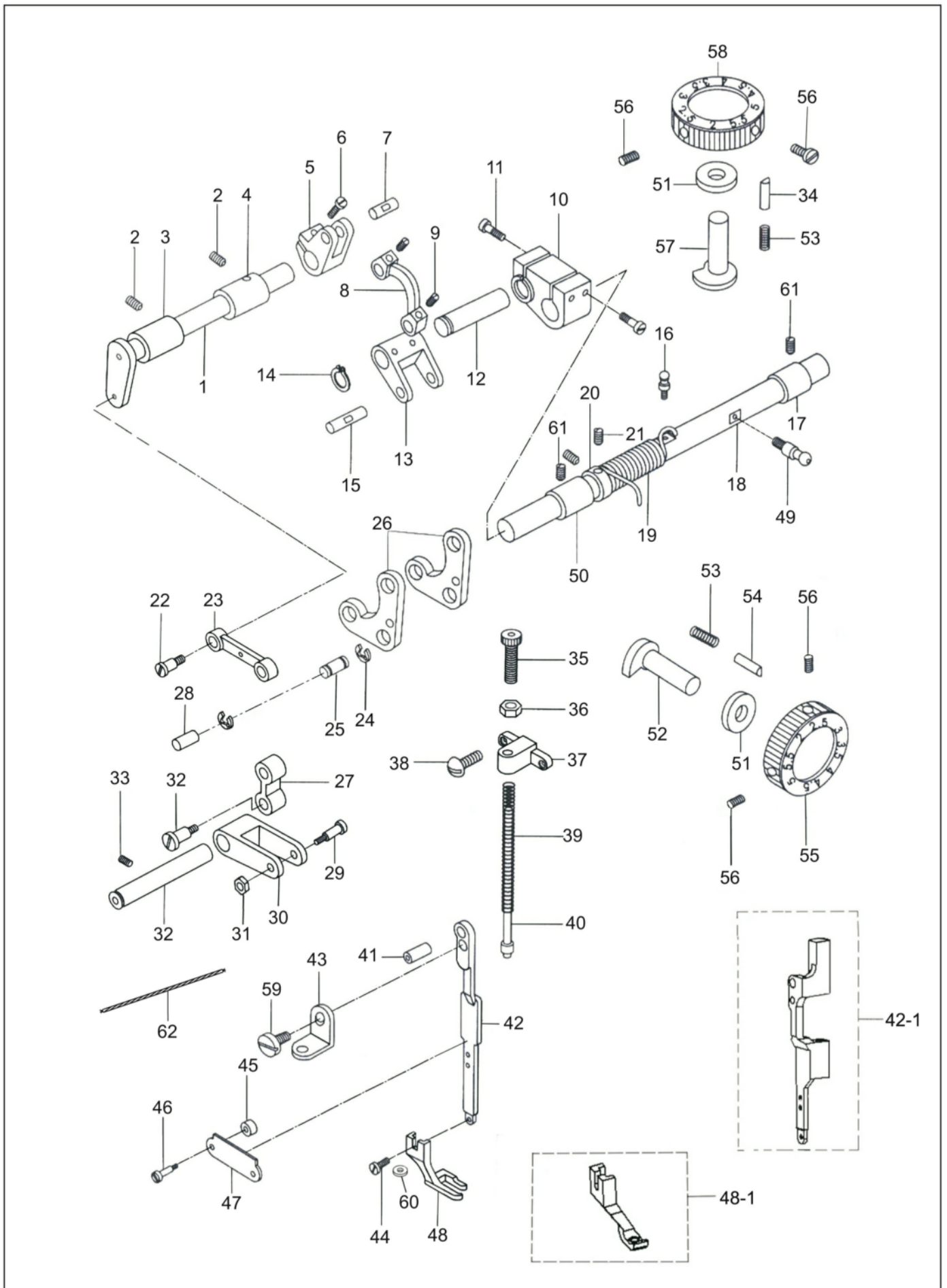


序号 NO.	图号 REF NO.	名称	DESCRIPTION	数量 AMT			
				A	B	C	D
1	02-121A-1230	倒缝台紧圈	T Hrust Collar	1	1	1	1
2	11-80160710-01	倒缝台紧圈螺钉	Screw Sm1/4 x 40 L=7	2	2	2	2
3	06-029A-640L	倒缝台轴套	Feed Regulator Shaft Bushing	1	1	1	1
4	11-80151010-01	倒缝台轴套螺钉	Screw Sm15/64 x 28 L=10	1	1	1	1
5	11-80150812-01	支撑轴螺钉	Screw Sm15/64 x 28 L=8	1	1	1	1
6	1300-04-06	支撑轴	Reverse Shaft For Feed Regulator Shaft	1	1	1	1
7	1300-04-07	支撑轴销	Connecting Pin	1	1	1	1
8	1300-04-08	倒缝台	Feed Regulator Shaft	1	1	1	1
9	1300-04-09	倒缝台导向板	Slide Block Guide Plate	2	2	2	2
10	11-40110825-01	倒缝台导向板螺钉	Screw Sm11/64 x 40 L=8	4	4	4	4
11	31-14624000-09	O型圈	O-rings	1	1	1	1
12	1302-04-12	针距调节摆杆铰链轴	Hinge Pin For Regulatop	1	1	1	1
13	1300-04-13	拉簧架	Bracket For Spring	1	1	1	1
14	11-80150812-01	铰链轴螺钉	Screw Sm15/64 x 28 L=8	1	1	1	1
15	1300-04-15	针距连杆垫圈	Washer		1		1
16	24-04000000-08	针距连杆挡圈	Retaining Ring ϕ 4		1		1
17	1300-04-17	针距连杆	Connecting Rod For Feed Regulator Shaft	1	1	1	1
18	1300-04-18	倒缝连杆	B/t Solenoid Crank		1		1
19	1300-04-19	针距连杆销	Feed Link Pin		1		1
20	1300-04-21B	针距调节摆杆	Feed Regulator	1		1	
21	1300-04-21	针距调节摆杆	Feed Regulator		1		1
22	1300-04-22	小拉簧架	Bracket For Spring(small)	1	1	1	1
23	06-053W-1230	倒缝扳手碗型垫圈	Washer For Reverse Feed Lever Shaft	1	1	1	1
24	1300-04-24	拉簧勾	Spring Hook	1	1	1	1
26	1300-12-12	针距螺杆轴套	Pin Pitch Screw Sleeve	1	1	1	1
27	41-20402000-00	弹性销4x20	Elastic Pin4x20	1	1	1	1
28	1300-04-28	倒缝操纵杆拉簧	Spring For Feed Regulator	1	1	1	1
29	24-07000000-08	针距调节摆杆轴挡圈	Retaining Ring ϕ 7	1	1	1	1
30	31-09624000-09	针距调节螺杆密封圈	Rubber Ring	1	1	1	1
31	1300-04-31B	针距调节螺杆	Feed Regulator Screw	1	1	1	1
32	1300-04-32	针距连杆销	Feed Link Pin	1	1	1	1
33	12-80400512-01	针距连杆紧固螺钉	Screw M4 L=5	1	1	1	1
34	1300-12-10-1	标盘装饰套(0-9)	Label Plate Decoration Set (0-9)	1	1	1	1
37	11-60111220-01	螺钉	Screw	1	1	1	1
38	120-03-21	倒缝扳手紧固螺钉	Screw	1	1	1	1
39	11-40622025-01	倒缝扳手螺钉	Screw Sm3/16 x 28 L=20	1	1	1	1
40	06-033A-2350	倒缝扳手	Reverse Feed Control Lever	1	1	1	1
41	11-60121420-01	倒缝扳手曲柄夹紧螺钉	Screw Sm3/16 x 28 L=15	1	1	1	1
42	1300-04-42	倒缝扳手短轴	Shaft Of Reverse Feed Control Lever	1	1	1	1
43	31-07118000-09	倒缝扳手短轴密封圈	Rubber Ring	1	1	1	1
44	1300-04-44	倒缝扳手曲柄组件	Reverse Feed Crank Asm		1		1
	1300-04-44B	倒缝扳手曲柄组件	Reverse Feed Crank Pin	1		1	
45	11-70110820-01	倒缝扳手短轴紧固螺钉	Screw Sm11/64 x 40 L=8	1	1	1	1
46	120-03-27	倒缝扳手曲柄弹簧	Spring For Reverse Feed Crank	1	1	1	1
47	1300-12-11	针距标盘垫片	Needle gauge dial gasket	1	1	1	1
48	1287-05-04	标盘芯	Core of Standard Plate	1	1	1	1
49	1287-05-03	标盘弹簧	Benchmark Disc Spring	1	1	1	1
50	1287-05-05	针距标盘	Needle gauge dial	1	1	1	1
51	1287-05-02	标盘轴位螺钉	Axis screw of benchmark plate	1	1	1	1





序号 NO.	图号 REF NO.	名称	DESCRIPTION	数量 AMT			
				A	B	C	D
1	1300-05-01	压脚摆动左曲柄	Upper Feed Lever Level Adjusting Crank	1	1	1	1
2	11-40151525-01	压脚摆动曲柄螺钉	Screw Sm15/64 x 28 L=15	2	2	2	2
3	11-80150510-01	压脚摆动轴套螺钉	Screw Sm15/64 x 28 L=5	1	1	1	1
4	1300-03-57	压脚摆动前轴套	Upper Feed Lever Level Driving Shaft Front Bushing	1	1	1	1
5	13-60163220-01	压脚曲柄连接螺母	Nut	1	1	1	1
6	21-06510110-01	垫圈	Washer	1	1	1	1
7	15-001A-3400	提升压脚变动曲柄轴	Crankshaft	1	1	1	1
8	1300-05-08	压脚摆动轴	Presser Swing Crank	1	1	1	1
9	02-013A-3710	摆动轴紧圈	Thrust Collar	1	1	1	1
10	11-80160510-01	紧圈螺钉	Screw Sm1/4 x 40 L=5	2	2	2	2
11	31-10024000-09	O型圈	O Ring	1	1	1	1
12	1300-05-12	压脚摆动右曲柄	Upper Feed Lever Level Driving Shaft Crank(right)	1	1	1	1
13	13-60183620-01	提升压脚调节螺母	Lifting Presser Adjusting Screw Nut	1	1	1	1
14	1300-05-14	压脚摆动右曲柄连杆	Presser Swing(right) Crank Rod	1	1	1	1
15	1300-05-15	曲柄连杆螺钉	Presser Swing(right) Crank Rod Screw	1	1	1	1
16	11-80150510-01	曲柄导柱螺钉	Screw Sm15/64 x 28 L=5	1	1	1	1
17	1300-05-17	提升压脚变动曲柄导柱	Lifting Presser Sway Crank Guide Pin	1	1	1	1
18	1300-05-18	提升压脚变动曲柄	Upper Feed Level Driving Link	1	1	1	1
19	120-06-28	提升压脚连杆螺钉	Set Screw	2	2	2	2
20	1300-05-20	提升压脚变动连杆	Upper Feed Level Driving Rod	1	1	1	1
21	11-40090725-01	摆动连杆座螺钉	Screw Sm9/64 x 40 L=7	2	2	2	2
22	22-04000000-08	弹簧垫圈	Washer	2	2	2	2
23	1300-05-23	摆动连杆座	Presser Rod Guide	1	1	1	1
24	GP-07083-00	提升压脚变动曲柄滑块	Sliding Block	1	1	1	1
25	24-04000000-08	开口挡圈	Open Ring	1	1	1	1
26	1300-05-26	压脚摆动后轴套	Presser Swing Shaft Bushing(rear)	1	1	1	1
27	11-70151020-01	螺钉	Screw Sm15/64 x 28 L=10	1	1	1	1
28	11-80150710-01	压脚摆动前轴套螺钉	Screw Sm15/64 x 28 L=7	1	1	1	1

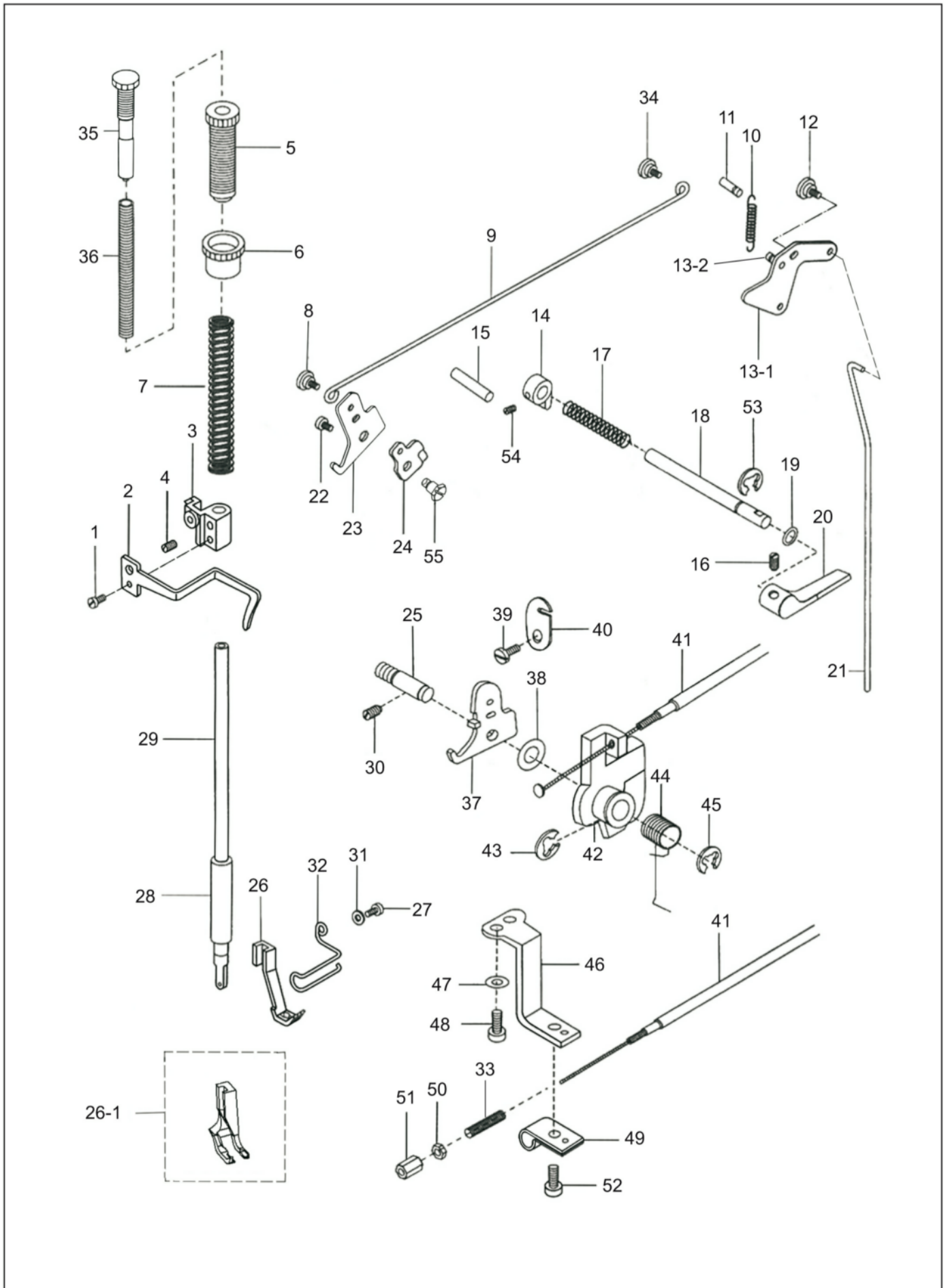




序号 NO.	图号 REF NO.	名称	DESCRIPTION	数量 AMT			
				A	B	C	D
1	1300-06-01	压脚提升轴	Presser Lifting Shaft	1	1	1	1
2	11-80150710-01	提升轴轴套螺钉	Screw Sm15/64 x 28 L=7	2	2	2	2
3	1300-06-03	压脚提升轴左轴套	Upper Feed Driving Shaftbushing(left)	1	1	1	1
4	1300-06-04	压脚提升轴右轴套	Upper Feed Driving Shaftbushing(right)	1	1	1	1
5	1300-06-05	提升轴调节曲柄	Upper Feed Driving Crank	1	1	1	1
6	11-60151460-01	提升轴调节曲柄螺钉	Screw Sm15/64 x 28 L=14	1	1	1	1
7	1300-06-07	提升轴调节曲柄轴	Connecting Pin For Upper Feed Driving Crank	1	1	1	1
8	1300-06-08	提升轴调节曲柄连杆	Upper Feed Driving Connecting Link	1	1	1	1
9	11-80110512-01	螺钉	Screw Sm11/64 x 40 L=5	2	2	2	2
10	1300-06-10	压脚提升轴支架	Upper Feed Driving Control Crank	1	1	1	1
11	11-60121420-01	压脚提升轴支架螺钉	Screw Sm3/16 x 28 L=15	4	4	4	4
12	1300-06-12	压脚提升轴支架轴	Support Shaft	1	1	1	1
13	1300-06-13	压脚提升轴支架轴曲柄	Climb Device Adjusting Shaft	1	1	1	1
14	25-10000000-08	压脚提升轴支架轴挡圈	Retaining Ring	1	1	1	1
15	1300-06-15	压脚提升轴支架曲柄轴	Crank Shaft	1	1	1	1
16	1300-06-16-6	压脚提升调节轴螺钉	Set Screw	1	1	1	1
17	1300-06-17	压脚提升调节轴后轴套	Climb Device Adjusting Shaft Bushing(rear)	2	2	2	2
18	1302.06-18	压脚提升调节轴	Climb Device Adjusting Shaft	1	1	1	1
19	1300-06-19	压脚提升调节轴弹簧	Return Spring For Climb Device Adjusting Shaft	1	1	1	1
20	02-013A-3710	压脚提升调节轴紧圈	Thrust Collar	1	1	1	1
21	11-80160510-01	紧圈螺钉	Screw Sm1/4 x 40 L=5	2	2	2	2
22	120-06-28	压脚送料曲柄连杆螺钉	Set Screw	2	2	2	2
23	1300-06-23	压脚送料曲柄连杆	Upper Feed Driving Rod	1	1	1	1
24	24-06000000-09	E型挡圈	E-ring	2	2	2	2
25	1300-06-25	送料曲柄铰链轴(上)	Upper Feed Connecting Link Pin	1	1	1	1
26	1300-06-26	压脚送料曲柄	Upper Feed Connecting Link	2	2	2	2
27	1300-06-27	送料曲柄连杆	Presser Bar Bracket Connecting Link	1	1	1	1
28	1300-06-28	送料曲柄铰链轴(下)	Pin For Presser Bar Bracket Connecting Link	1	1	1	1
29	1300-06-29	送料曲柄连杆螺钉	Set Screw	1	1	1	1
30	1300-06-30	压脚送料曲柄支架	Upper Feed Lever Rock Crank	1	1	1	1
31	13-60153320-01	送料曲柄连接螺母	Nut	1	1	1	1
32	1300-06-32	送料曲柄轴	Upper Feed Lever Rock Crank Shaft	1	1	1	1
33	11-80151412-01	曲柄螺钉	Screw Sm15/64 x 28 L=10	1	1	1	1
34	1300-06-34	止动销	Stopper Pin	1	1	1	1
35	120-06-01	摆压脚调压螺钉	Lifting Presser Adjusting Screw	1	1	1	1
36	13-60183620-01	摆压脚调压螺母	Lifting Presser Adjusting Nut	1	1	1	1
37	1300-06-37	提升压脚弹簧架	Frame For Upper Feed Pressure Adjusting Screw	1	1	1	1
38	11-60111120-01	螺钉	Screw Sm11/64 x 40 L=11	2	2	2	2
39	15-094G-640L	提升压脚簧	Lifting Presser Spring	1	1	1	1
40	1300-06-40	调压杆弹簧导柱	Upper Feed Pressure Adjusting Spring Bar	1	1	1	1
41	1300-06-41	压脚连杆轴套	Upper Feed Lever Connecting Pin	1	1	1	1
42	1300-06-42	压脚连杆	Presser Rod	1	1		
42-1	1301-06-42	压脚连杆	Presser Rod			1	1
43	1300-06-43	提升压脚导柱架	Ascension Presser Foot Guide Pin	1	1	1	1
44	11-70090820-01	压脚螺钉	Screw Sm9/64 x 40 L=8	1	1	1	1
45	120-06-46	压脚连杆压板垫块	Space For Presser Rod Plate	2	2	2	2
46	11-60111220-01	连杆压板螺钉	Screw Sm11/64 x 40 L=12	2	2	2	2
47	15-032C-3400	提升压脚连杆压板	Lifting Presser Rod Plate	1	1	1	1
48	1300-06-48	外压脚组件	Outside Presser Asm	1	1		
48-1	122-06-45	外压脚	Outside Presser			1	1
49	1300-06-16-7	压脚提升调节轴螺钉	Set Screw	1	1	1	1
50	1300-06-50	压脚提升调节前轴套	Climb Device Adjusting Shaft Bushing(front)	1	1	1	1



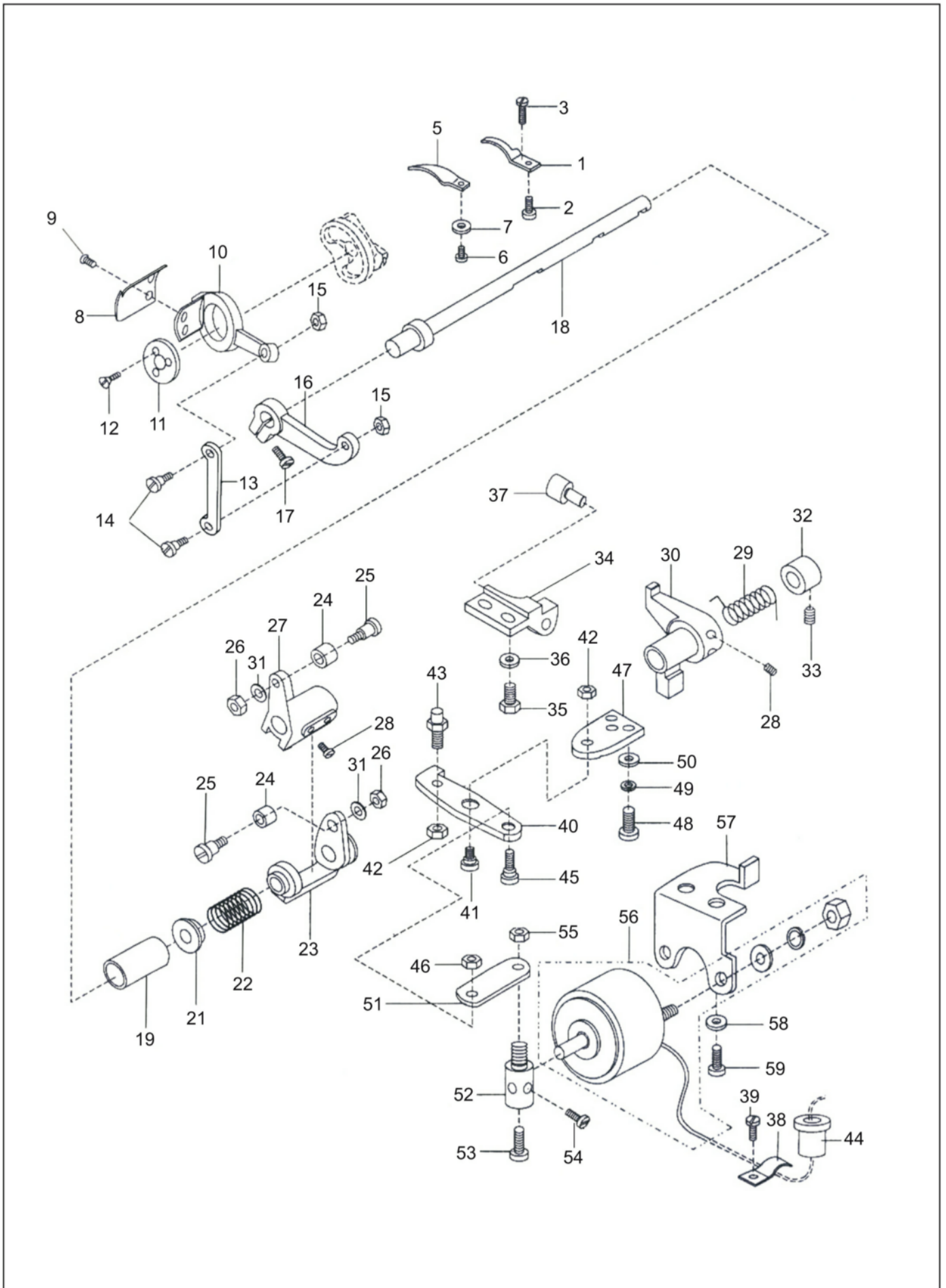
序号 NO.	图号 REF NO.	名称	DESCRIPTION	数量 AMT			
				A	B	C	D
51	21-10135180-01	压脚位置调节盘垫片	Washer	2	2	2	2
52	1300-06-52	压脚位置调节凸轮(长)	Climb Device Eccentric Cam(long)	1	1	1	1
53	120-02-65	止动销弹簧	Spring	2	2	2	2
54	1300-06-34	止动销	Stopper Pin	1	1	1	1
55	1300-06-55	压脚位置调节盘(机壳)	Climb Device Dial Asm.(arm)	1	1	1	1
56	11-80151550-01	自由式凸轮支头螺钉	Screw Sm15/64 x 28 L=10	4	4	4	4
57	15-061A-640L	压脚位置调节凸轮(短)	Climb Device Eccentric Cam(short)	1	1	1	1
58	1300-06-58	压脚位置调节盘	Climb Device Dial Asm.(top Cover)	1	1	1	1
59	1300-06-59	导柱架螺钉	Set Screw	1	1	1	1
60	21-04608080-01	外压脚垫片	Washer	1	1		
61	11-80110610-01	螺钉	Screw Sm11/64 x 40 L=6	2	2	2	2





序号 NO.	图号 REF NO.	名称	DESCRIPTION	数量 AMT			
				A	B	C	D
1	11-00110520-01	大线勾螺钉	Screw Sm11/64 x 40 L=5	1	1	1	1
2	1300-07-02	大线勾	Upp Thread Guide	1	1	1	1
3	1300-07-03	压紧杆导架	Presser Bar Bushing	1	1	1	1
4	11-80150810-01	压紧杆导架螺钉	Screw Sm15/64 x 28 L=8	1	1	1	1
5	1300-07-05	调压螺钉	Pressure Regulating Thumb Screw	1	1	1	1
6	1300-07-06	调压螺钉锁紧螺母	Nut For Pressure Adjusting Screw	1	1	1	1
7	120-05-21	压紧杆弹簧	Presser Bar Sping	1	1	1	1
8	101-04-32	膝控提升拉杆螺钉	Hinge Screw For Presser Bar Connecting Stick(long)	1	1	1	1
9	1300-07-09	膝控提升拉杆	Knee Lifter Rod	1	1	1	1
10	1300-07-10	膝控提升拉杆(右)弹簧	Spring Of Knee Lifter Lever	1	1	1	1
11	120-05-16	弹簧销	Spring Of Pin	1	1	1	1
12	120-05-14	膝控提升拉杆(右)螺钉	Hinge For Knee Lifting Link Screw Sm15/64x28 L=7	1	1	1	1
13-1	1300-07-13-01	膝控提升杠杆(右)	Knee Lifter Lever(right)	1	1	1	1
13-2	1300-07-13-02	膝控提升杠杆销	Knee Lifter Lever Pin	1	1	1	1
14	1300-07-14	压紧杆提升凸轮	Presser Bar Lifting Cam	1	1	1	1
15	1300-07-15	压紧杆提升凸轮限位销	Stopper Pin For Presser Lifter Cam	1	1	1	1
16	11-80150510-01	压脚扳手螺钉	Screw Sm15/64 x 28 L=5	2	2	2	2
17	1300-07-17	压脚扳手轴弹簧	Torsion Spring For Presser Bar Lifter Shaft	1	1	1	1
18	1300-07-18	压脚扳手轴	Presser Bar Lifter Shaft	1	1	1	1
19	31-04018000-09	压脚扳手轴O型圈	O-ring For Presser Bar Lifter Shaft	1	1	1	1
20	1300-07-20	压脚扳手	Hand Lifter	1	1	1	1
21	1300-07-21	膝控提升连杆	Knee Lifting Bar Stick	1	1	1	1
22	11-60110721-01	膝控提升杠杆(左)螺钉	Presser Bar Lifting Link(left)screw Sm11/64x40 L=7	1		1	
23	1300-07-23B	膝控提升杠杆(左)	Presser Bar Lifting Link(left)	1		1	
24	120-05-06	松线板	Tension Releasing	1		1	
25	1300-07-25	松线轴	Shaft For Tension Pelease Plate Asm.		1		1
26	1300-07-26	内压脚	Sub Press Foot	1	1		
26-1	122-05-27	内压脚	Sub Press Foot			1	1
27	11-60091120-01	压脚螺钉	Press Foot Screw Sm9/64 x 40 L=11	1	1		
28	1300-07-28	压杆套	Presser Bar Bushing	1	1	1	1
29	1300-07-29	压杆	Presser Bar	1	1	1	1
30	11-80110612-01	松线板销螺钉	Screw Sm11/64 x 40 L=6		1		1
31	21-04210080-02	防护勾垫片	Washer	1	1		
32	05-019M-3400	护指簧	Presser Bar Shield	1	1		
33	40-003A-2700	松绳松线调节柱	Adjust The Column		1		1
34	120-05-08	铰链螺钉	Hinge Screw For Presser Bar Connecting Stick(short)	1	1	1	1
35	1300-07-35	辅助调压螺钉	Sub Pressure Adjusting Screw	1	1	1	1
36	1300-07-36	辅助调压弹簧	Sub Pressure Adjusting Spring	1	1	1	1
37	1300-07-23	膝控提升杠杆(左)	Presser Bar Lifting Link(left)		1		1
38	21-06106100-01	松线轴垫片	Washer		1		1
39	11-40090525-01	软线夹(上)螺钉	Screw Sm9/64 x 40 L=5		1		1
40	1300-07-40	软线夹(上)	Tension Release Cable Holder(upper)		1		1
41	40-033A-64L7	松线钢绳	Tension Release Cable Asm.		1		1
42	1300-07-42	松线板	Tension Release Plate Asm.		1		1
43	24-08000000-09	松线板卡簧	Snap Ring		1		1
44	1300-07-44	松线弹簧	Spring For Tension Release Plate Asm.		1		1
45	24-05000000-08	松线轴挡圈	Snap Ring		1		1
46	1300-07-46	软线夹固定架(下)	Bracket For Tension Release Cable Holder(lower)		1		1
47	21-04508080-01	螺钉垫片	Washer		2		2
48	12-60401022-01	软线夹(下)固定架螺钉	Screw M4 L=10		2		2
49	1300-07-49	软线夹(下)	Tension Release Cable Holder(lower)		1		1
50	14-60504020-02	软线螺母	Nut M5 H=4		1		1

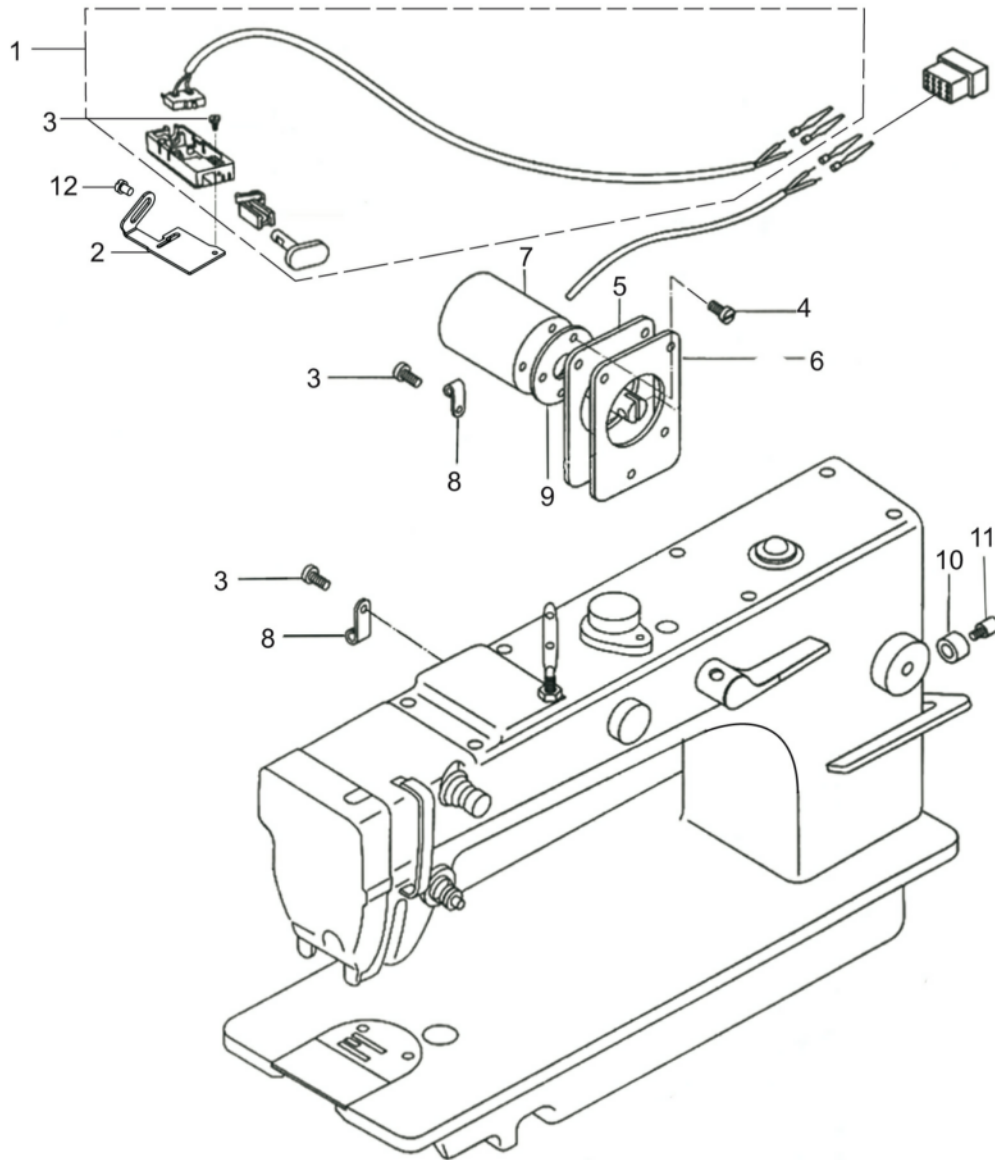
序号 NO.	图号 REF NO.	名称	DESCRIPTION	数量 AMT			
				A	B	C	D
51	40-004C-2700	软线锁紧螺母	Nut M5 H=4		1		1
52	12-40401025-01	软线夹(下)螺钉	Screw M4 L=10		1		1
53	24-06000000-08	卡簧	Ring	1	1	1	1
54	11-80160612-01	提升凸轮螺钉	Screw Sm1/4 x 40 L=6	1	1	1	1
55	1300-07-25B	膝控提升杠杆销	Presser Bar Lifting Link Pin	1		1	



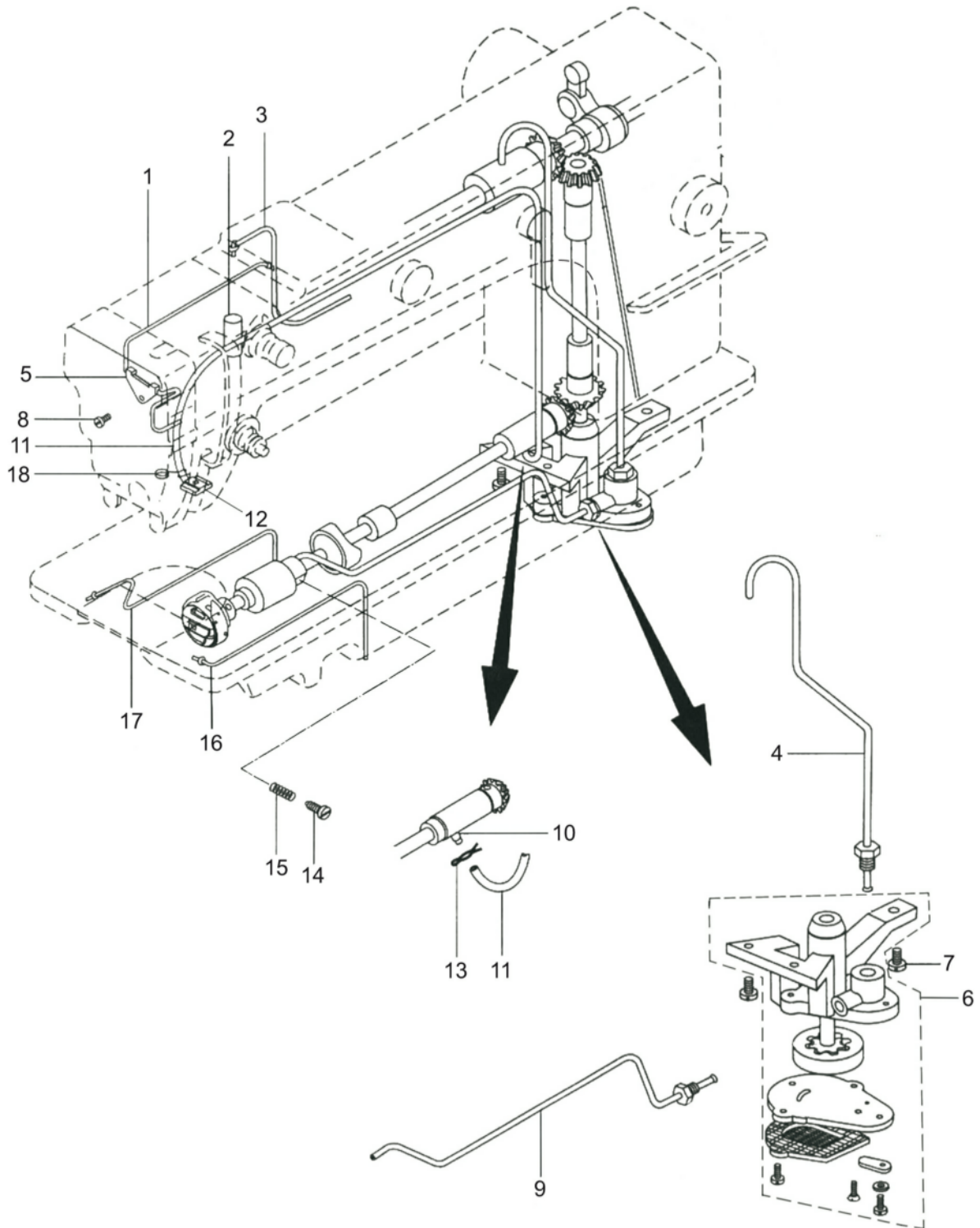


序号 NO.	图号 REF NO.	名称	DESCRIPTION	数量 AMT			
				A	B	C	D
1	1300-08-01	定刀片	Counter Knife		1		1
2	11-10090620-01	定刀片螺钉	Counter Knife Screw Sm9/64x40 L=6		1		1
3	11-00580720-02	定刀调节螺钉	Counter Knife Adjusting Screw Sm1/8x40 L=7		1		1
4	13-60582420-02	压力调节螺钉锁紧螺母	Lockut Of Counter Knife Adjusting Screw		1		1
5	1300-08-05	栏线板	Thread Guide		1		1
6	11-40090725-01	栏线板螺钉	Thread Guide Screw Sm9/64 x 40 L=7		1		1
7	21-04808080-01	栏线板螺钉垫片	Thread Guide Screw Washer		1		1
8	1300-08-08	动刀片	Moving Knife		1		1
9	11-10110622-01	动刀片紧固螺钉	Screw Sm11/64x40 L=6		2		2
10	1300-08-10	刀架	Thread Trimming Holder		1		1
11	1300-08-11	刀架垫片	Thread Trimming Holder Washer		1		1
12	11-10090720-01	刀架螺钉	Thread Trimming Holder Screw Sm9/64x40 L=7		3		3
13	1300-08-13	刀轴连杆	Thread Trimming Lever Connecting Link		1		1
14	1300-08-14	刀轴连杆螺钉	Thread Trimming Lever Connecting Link Screw		2		2
15	13-60623020-01	刀轴连杆螺母	Thread Trimming Lever Connecting Link Nut		2		2
16	1300-08-16	剪线驱动曲柄	Thread Trimming Lever		1		1
17	12-60601522-01	驱动曲柄螺钉	Thread Trimming Lever Screw M6 L=15		1		1
18	1300-08-18	剪线轴	Thread Trimming Shaft		1		1
19	1300-08-19	剪线轴轴套	Thread Trimming Shaft Bushing		1		1
21	1300-08-21	扭簧端盖	Guide Bush For Return Spring		1		1
22	1300-08-22	归位弹簧	Slide Arm Return Spring		1		1
23	1300-08-23	剪线凸轮右曲柄	Thread Trimmer Cam Asm Crank (right)		1		1
24	CTT-CL000300	滚轮	Roller		2		2
25	DSC-GA000400	滚轮螺钉	Roller Screw Sm3/16x32 L = 6		2		2
26	13-60623020-01	滚轮螺母	Roller Nut Sm3/16x32 H=3		2		2
27	1300-08-27	剪线凸轮左曲柄	Thread Trimmer Cam Asm Crank (left)		1		1
28	11-80150812-01	左曲柄螺钉	Crank(left) Screw Sm15/64x28 L=8		2		2
29	1300-08-29	凸轮轴扭簧	Return Spring		1		1
30	1300-08-30	限位块	Stopper Lever		1		1
31	22-05000000-08	弹簧垫片	Spring Washer ϕ 5		2		2
32	279-04-37	凸轮轴紧圈	Collar For Thread Trimming Shaft		1		1
33	11-80110512-01	紧圈螺钉	Collar Screw Sm11/64 x 40 L=5		2		2
34	1300-08-34	限位板	Stopper Board		1		1
35	11-90621320-01	限位板螺钉	Stopper Board Screw Sm3/16x32 L=13		2		2
36	21-05310100-01	限位板螺钉垫片	Stopper Board Screw Washer ϕ 5		2		2
37	1300-08-37	缓冲橡胶	Stopper Lever Cushion Rubber		1		1
38	01-009R-2350	线夹	Cord Holder		1		1
39	11-40110625-01	线夹螺钉	Screw Sm11/64 x 40 L=6		1		1
40	1300-08-40	离合器杆	Clutch Lever		1		1
41	1300-08-41	离合器杆螺钉	Clutch Lever Screw		1		1
42	13-60153320-01	离合器杆螺母	Clutch Lever Nut Sm15/64x28 H=3.3		2		2
43	1300-08-43	离合器杆螺钉	Clutch Lever Screw		1		1
44	1300-08-44	剪线电磁铁电线保护套	Protect Bushing		1		1
45	1300-08-45	电磁铁连杆轴位螺钉	Stud Screw For Mes Cam		1		1
46	13-60623020-01	螺母	Nut Sm3/16x32 H=3		1		1
47	1300-08-47	离合器杆底座	Base Plate		1		1
48	12-60501422-01	离合器杆底座螺钉	Base Plate Screw M5 L=14		3		3
49	22-05000000-08	弹簧垫片	Spring Washer ϕ 5		3		3
50	21-05310100-01	平垫片	Washer ϕ 5		3		3
51	1300-08-51	电磁铁连杆	Solenoid Connecting Link		1		1
52	1300-08-52	电磁铁连杆销	Solenoid Pin		1		1
53	11-40110825-01	电磁铁连杆销螺钉	Solenoid Pin Screw Sm11/64x40 L=8		1		1

序号 NO.	图号 REF NO.	名称	DESCRIPTION	数量 AMT			
				A	B	C	D
54	11-40110625-01	电磁铁连杆销螺钉	Solenoid Pin Screw Sm11/64x40 L=6		1		1
55	14-60504020-01	螺母	Nut M5 H=4		1		1
56	1300-08-56-01	剪线电磁铁组件	Thread Trimming Solenoid Asm.		1		1
57	1300-08-57	剪线电磁铁安装架	Base For Solenoid Connecting Link		1		1
58	22-06000000-08	弹簧垫片	Spring Washer ϕ 6		2		2
59	11-60151522-01	剪线电磁铁紧固螺钉	Screw Sm15/64x28 L=15		2		2

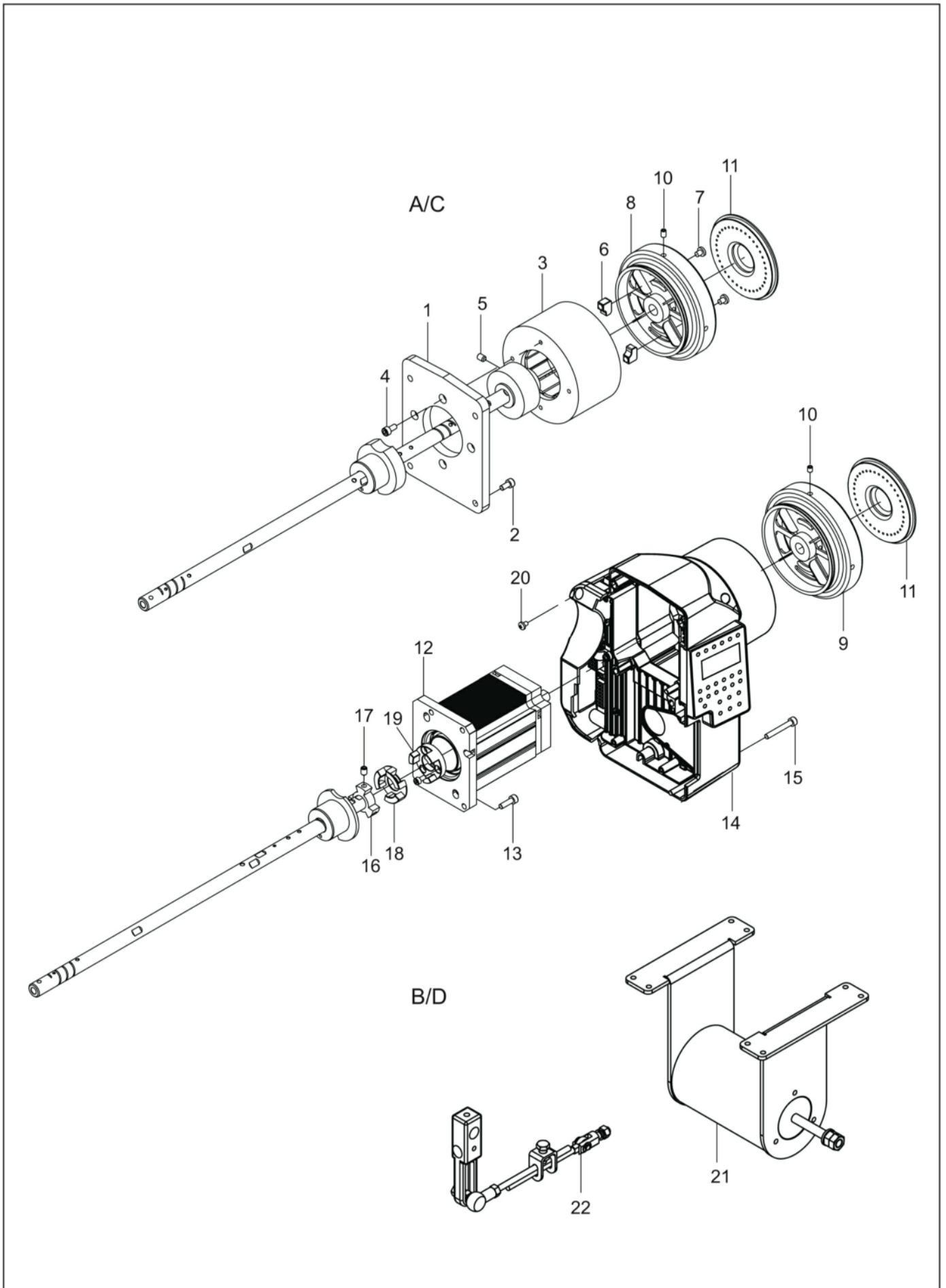


序号 NO.	图号 REF NO.	名称	DESCRIPTION	数量 AMT			
				A	B	C	D
1	1302-09-05	倒送料转换器组件	Reverse Feed Switch Asm		1		1
2	1300-09-03	倒送料安装板	Mounting Plate	1	1	1	1
3	11-40110625-01	螺钉	Screw Sm11/64x40 L=6	3	3	3	3
4	11-40111025-01	电磁铁螺钉	Screw Sm11/64x40 L=10		4		4
5	1300-01-10	后盖板	Side Palte		1		1
6	1300-01-11	后盖板垫圈	Side Palte Washer		1		1
7	1300-09-11-00-01	倒送料电磁铁组件	Automatic Reverse Feed Magnetic Asm		1		1
8	01-009R-2350	线夹	Cord Holder	2	2	2	2
9	1300-09-12	倒送料电磁铁垫圈	Automatic Reverse Feed Magnetic Washer		1		1
10	1300-09-21	操纵杆限位圈	Upper Stopper Rubber For Reverse Lever		1		1
11	1300-09-20	支撑杆	Support Bar		1		1
12	12-40600825-01	倒送料安装板螺钉	Screw M6 L=8	2	2	2	2



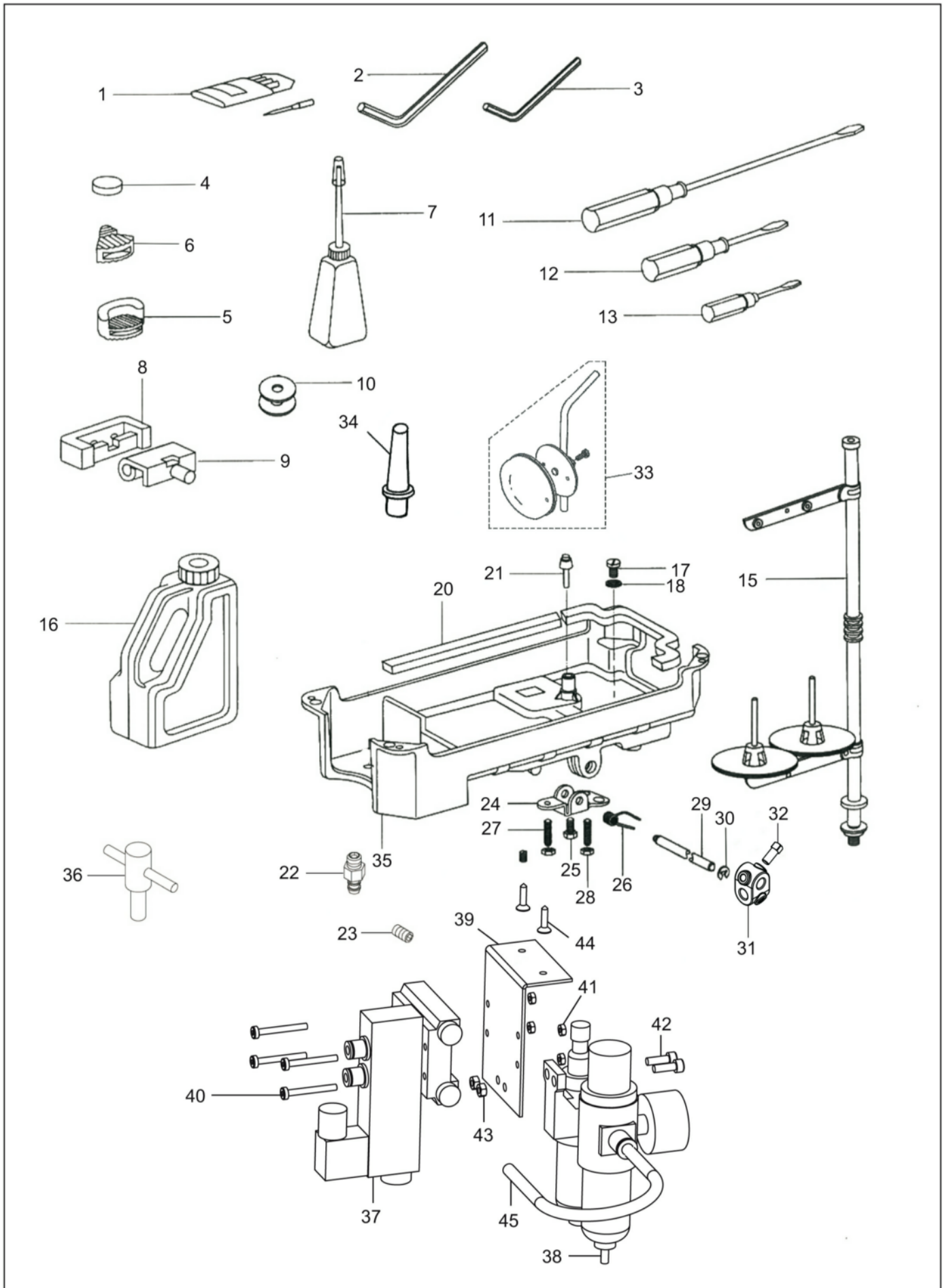


序号 NO.	图号 REF NO.	名称	DESCRIPTION	数量 AMT			
				A	B	C	D
1	43-10250000-00	油线	Oil Wick Φ 2.5 L=500	0.5	0.5	0.5	0.5
2	132-10-40	羊毛毡	Oil Felt	1	1	1	1
3	43-10250000-00	油线	Oil Wick Φ 2.5 L=250	0.25	0.25	0.25	0.25
4	1300-10-04	上轴油管组件	Oil Tube Asm For Arm Shaft	1	1	1	1
5	1300-10-28	油线固定架	Oil Thread Bracket	1	1	1	1
6	120-07-01	油泵体组件	Oil Pump Assy	1	1	1	1
7	11-70111320-01	油泵体螺钉	Screw Sm11/64x40 L=13	3	3	3	3
8	11-40090625-01	油线固定架螺钉	Screw Sm9/64x40 L=6	1	1	1	1
9	1300-10-18	下轴油管组件	Oil Tube Asm For Hook Driving Shaft	1	1	1	1
10	120-02-63	回油管接头	Oil Returnpipe Joint	1	1	1	1
11	42-05003000-00	回油管	Oil Returnpipe Φ 5x ϕ 3 L=700	0.7	0.7	0.7	0.7
12	120-07-07	回油管滤油毡	Felt Pouch	1	1	1	1
13	120-07-13	回油管夹	Holder	1	1	1	1
14	1300-10-14	油量调节螺钉	Screw	1	1	1	1
15	1300-10-15	油量调节弹簧	Oil Adjusting Spring	1	1	1	1
16	43-10300000-00	油线	Oil Wick Φ 2.5 Φ 3l = 250	0.25	0.25	0.25	0.25
17	43-10300000-00	油线	Oil Wick Φ 2.5 Φ 3 L =300	0.3	0.3	0.3	0.3
18	120-07-08	回油管弹簧夹	Pipe Hold	1	1	1	1





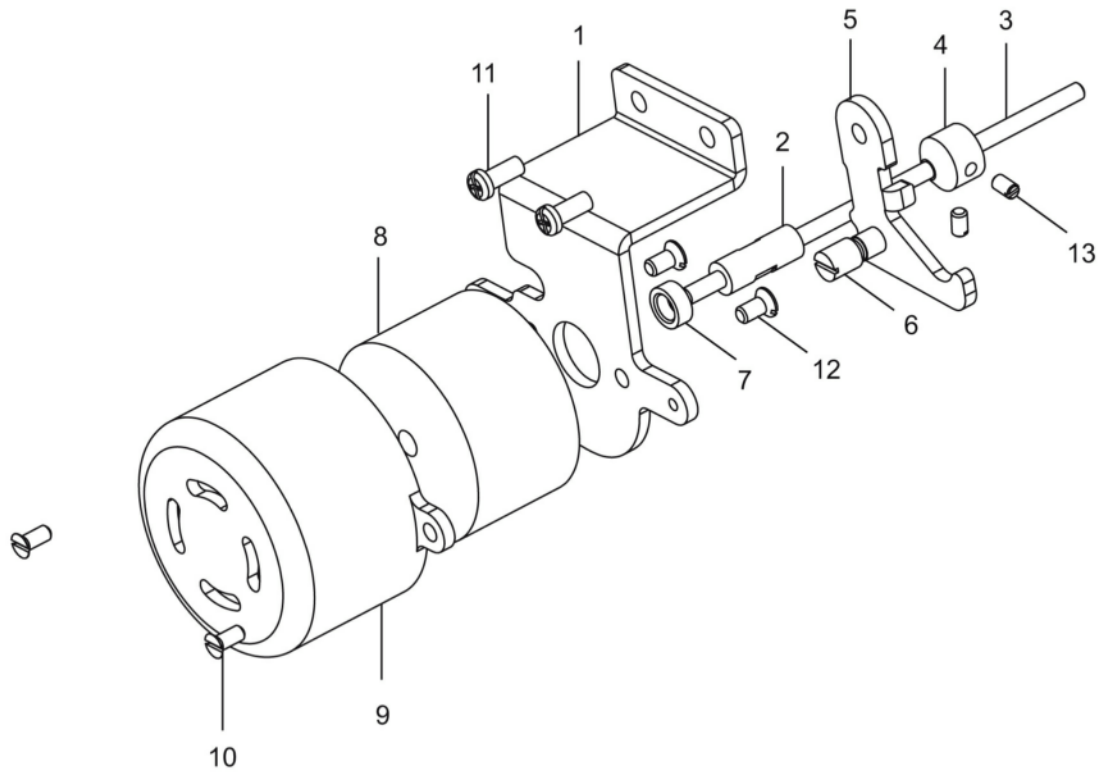
序号 NO.	图号 REF NO.	名称	DESCRIPTION	数量 AMT			
				A	B	C	D
1	1302-12-01	电机连接板	Motor Connection Plate	1		1	
2	12-60501222-02	电机连接板螺钉	Screw M5 L=12	4		4	
3	1302-12-03-00	节能直驱电控组件	Energy Saving Straight Drive Electric Control Component			1	
4	12-60501022-01	电机固定螺钉	Screw M5 L=10	4		4	
5	12-80600812-01	转子固定螺钉	Screw M6 L=8	3		3	
6	1302-12-06	停针位磁钢	The Needle A Magnetic Steel	1		1	
7	12-40400625-01	停针位磁钢螺钉	Screw M4 L=6	2		2	
8	1302.12-08	节能直驱手轮	Energy Saving Direct Driving Handwheel	1		1	
9	1302.12-08A	一体机手轮	All-in-one Handwheel		1		1
10	12-80500612-01	手轮螺钉	Screw M5 L=6	2	2	2	2
11	1302-12-11	手轮防尘盖	The Handwheel Dust Cover	1	1	1	1
12	1302-12-15-00	一体机电机组件	All-in-one Machine		1		1
13	12-60501622-01	电机固定螺钉	Screw M5 L=16		4		4
14	1302-12-15-00	一体机电控组件	All-in-one Electronic Components		1		1
15	12-60502522-01	电控固定螺钉	Screw M5 L=35		4		4
16	1302-12-16	主轴联轴器	Main Shaft Coupling		1		1
17	12-80601012-01	联轴器固定螺钉	Screw M6 L=10		3		3
18	358-01-06-01	联轴器缓冲垫	Cushioning Pads Of The Coupling		1		1
19	1302-12-19	电机联轴器	Motor Coupling		1		1
20	12-40401025-01	护线盖螺钉	Screw		2		2
21	1302-12-20	自动抬压脚电磁铁	The Presser Foot Lifter Electromagnet	选配	选配	选配	选配
22	1302-12-21-00	抬压脚连杆组件	Presser Foot Connecting Rod Components	选配	选配	选配	选配





序号 NO.	图号 REF NO.	名称	DESCRIPTION	数量 AMT			
				A	B	C	D
1	120-02-21	机针 DP×17 #22	Needle Dp x 17 22#	3	3	3	3
2	301-20-26	内六角扳手 (3)	Hexagon Wrench(s3)	1	1	1	1
3	301-20-13	内六角扳手 (2)	Hexagon Wrench(s2)	1	1	1	1
4	120-09-07	小磁块	Magnet	1	1	1	1
5	120-09-04	机头防震垫块 (大)	Rubber Cushion(big)	2	2	2	2
6	01-213R-1230	机头防震垫块 (小)	Rubber Cushion(small)	2	2	2	2
7	120-09-06	小油壶	Oiler(small)	1	1	1	1
8	01-042R-1230	机壳铰链套	Rubber Socket For Hinge	2	2	2	2
9	101-12-01	机壳铰链	Hinge Of Machine Head	2	2	2	2
10	120-02-72	梭心	Bobbin	1		1	
	1222-05-03	梭心 (铝)	Bobbin(aluminum)		1		1
11	101-12-15	一字槽开刀 (大)	Screw Driving(long)	1	1	1	1
12	101-12-16	一字槽开刀 (中)	Screw Driving(middle)	1	1	1	1
13	101-12-17	一字槽开刀 (小)	Screw Driving(short)	1	1	1	1
15	101-11-01	线架组件	Thread Stand Asm	1	1	1	1
16	101-12-21	油箱	Oil Container	1	1	1	1
17	SC-0347-1230	放油螺钉	Oil Brain Screw M8 L=10	1	1	1	1
18	44-005R-1230	放油螺钉垫圈	Oil Brain Screw Washer	1	1	1	1
19	101-12-03	鞋钉	Spike	4	4	4	4
20	1300-11-39	油盘垫	Gasket For Oil Reser Voir(big)	1	1	1	1
21	GP-013247-00	膝控提升顶杆	Knee Lifter Stop Bracket	1	1	1	1
22	44-010C-1600	下输油嘴	Nozzle	1	1	1	1
23	SC-0509-1230	左放油螺钉	Screw	1	1	1	1
24	43-022A-640L	膝控限位架	Knee Lifter Stop Bracket	1	1	1	1
25	11-90151420-01	膝控铰链轴螺钉	Set Screw Sm15/64 x 28 L=14	1	1	1	1
26	43-008G-1600	膝控复位簧	Return Spring For Knee Lifter	1	1	1	1
27	11-60152220-01	膝控限位调节螺钉	Adjusting Screw Sm15/64 x 28 L=22	2	2	2	2
28	13-60153320-01	调节螺母	Lock Nut M6	2	2	2	2
29	43-101A-64L7	膝控铰链轴	Hinge Pin For Knee Lifter	1	1	1	1
30	24-09000000-09	E型挡圈	E-ring	2	2	2	2
31	43-105S-64L7	膝提弯杆接头	Knee Press Rod Bearing Bracket	1	1	1	1
32	11-50501623-01	螺钉	Set Screw Sm5/16*18 L=16	4	4	4	4
33	43-001A-1600	膝提弯杆组件	Knees Bent Rod Components	1	1	1	1
34	101-12-19	机头支柱	The Nose Pillar	1	1	1	1
35	1300-11-35	油盘	Oil Reservoir	1	1	1	1
36	DTL-CC000100	专用套筒扳手	Socket Spanner		1		1
37	1300-13-11-3	BV210-08电磁阀	BV210-08Solenoid valve		1		1
38	1300-13-11-7	AFC2000油水分离器组件	Afc2000 Oil-water Separator Assembly		1		1
39	1300-13-10	电磁阀安装板	Solenoid Valve Installation Plate		1		1
40	12-60403522-01	内六角圆柱头螺钉M4x35	Inside Hexagonal Cylindrical Head Screwm4x35		4		4
41	14-60403020-01	M4螺母	M4 Nuts		4		4
42	12-60501522-01	内六角圆柱头螺钉M5x15	Inside Hexagonal Cylindrical Head Screwm5x15		2		2
43	14-60504020-01	M5螺母	M5 Nuts		2		2
44	101-12-08	木螺钉 D=4 L=16	Wood Screw D=4 L=16		2		2
45	197-21-2043	气管 (Φ8)	Trachea (Φ8)		0.25		0.25

*37-45为选配件



序号 NO.	图号 REF NO.	名称	DESCRIPTION	数量 AMT			
				A	B	C	D
1	1300-12-01	松线电磁铁安装板	Loose-wire electromagnet mounting plate	1	1	1	1
2	1300-12-02	松线电磁铁连接销	Loose Line Electromagnet Connecting Pin	1	1	1	1
3	1300-12-03	松线杆	Slack rod	1	1	1	1
4	1300-12-04	松线凸轮	Loose-line cam	1	1	1	1
5	1300-12-05	膝控提升杠杆	Knee-controlled lifting lever	1	1	1	1
6	1300-12-06	松线轴	Loose thread axis	1	1	1	1
7	1300-12-07	松线电磁铁隔套	Loose Line Electromagnet Sleeve	1	1	1	1
8	1300-12-08	松线电磁铁	Loose-wire electromagne	1	1	1	1
9	1300-12-09	松线电磁铁罩壳	Loose Line Electromagnet Shell	1	1	1	1
10	11-10090820-02	一字沉头螺钉SM9/64x40	One-word countersunk head screwSM9/64x40	2	2	2	2
11	11-40111025-01	螺钉	screwSM11/64x40	2	2	2	2
12	12-10400820-01	一字沉头螺钉M4x8	One-word countersunk head screwM4x8	2	2	2	2
13	11-80090610-01	紧定螺钉	Fixed screwSM9/64*40	2	2	2	2