



**MAUSER**  
S P E Z I A L

**MH-2645**  
Single Needle  
Top, Bottom and Needle Feed  
Lockstitch Sewing Machine

**Parts List**

Courtesy of:



## Parts List and Sewing Equipment

零件列表和缝制设备

# MAUSER 2645

Contents	Table / 表	目录
Upper shaft	1	上轴
Upper and bottom shaft drive,	2	上轴和下轴驱动,
Thread lever	3	挑线杆
Needle feed drive	4	针送料驱动
Alternating foot top feed	5, 6	交替压脚上送料
Bottom feed drive	7	下送料驱动
Bottom feed	8	下送料
Presser foot lift pneu,Manual unit	9, 10	压脚提升气动组件, 手动组件
Oversized hook with bobbin	11	超大尺寸旋梭及梭芯
Hook case	12	梭壳
Thread trimmer	13	割线刀
Winder	14	绕线器
Tension plate pneu.	15	张紧板气动组件
Stitch adjustment	16	线迹调节装置, 手动倒缝杆
Solenoid valve unit, Push-buttons	17	电磁阀装置, 按钮
Central lubrication	18	中央润滑系统
Arm	19	机壳
Arm cover	20	上盖
Bed plate	21	底板
Part set - lift pneu.	26	提升气动组件
Accessories	29,30	附件
Fastening parts for sewing		缝制设备固定件
Sewing equipment		缝制设备

## Parts List and Sewing Equipment

零件列表和缝制设备

# MAUSER 2645

---



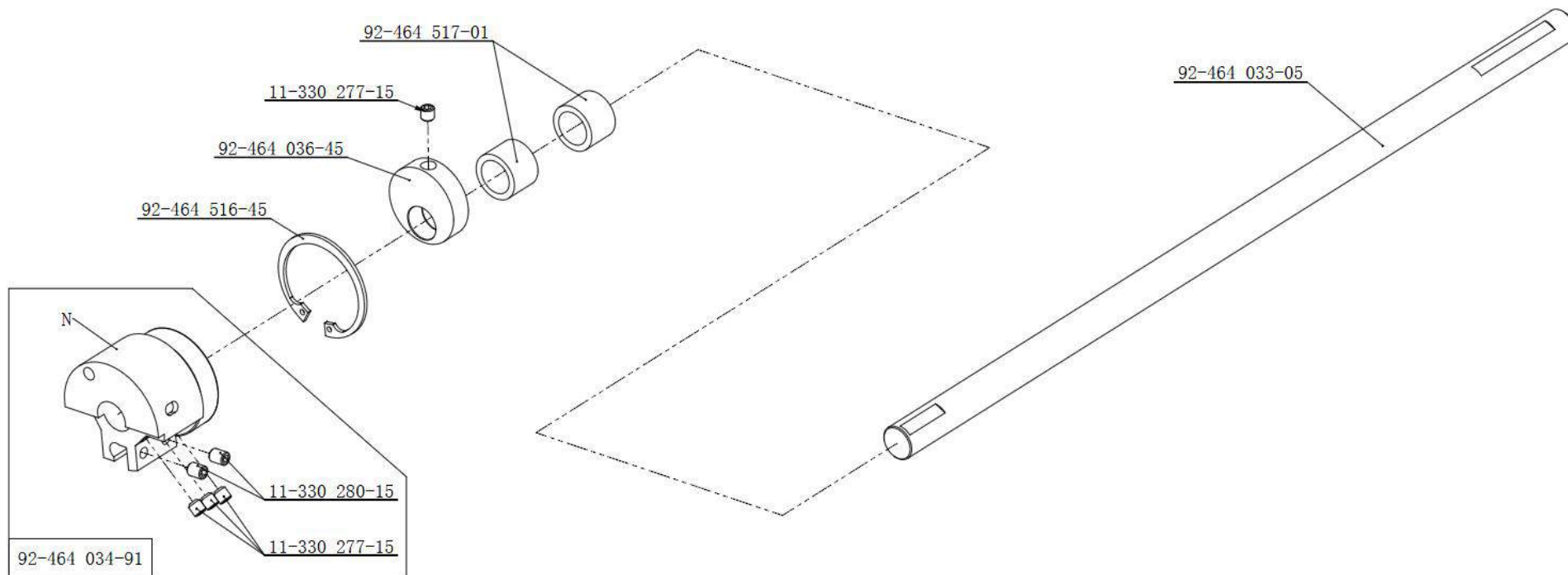
stick / 粘贴

N not available as separate part / 不作为单独零部件提供

Courtesy of:



1

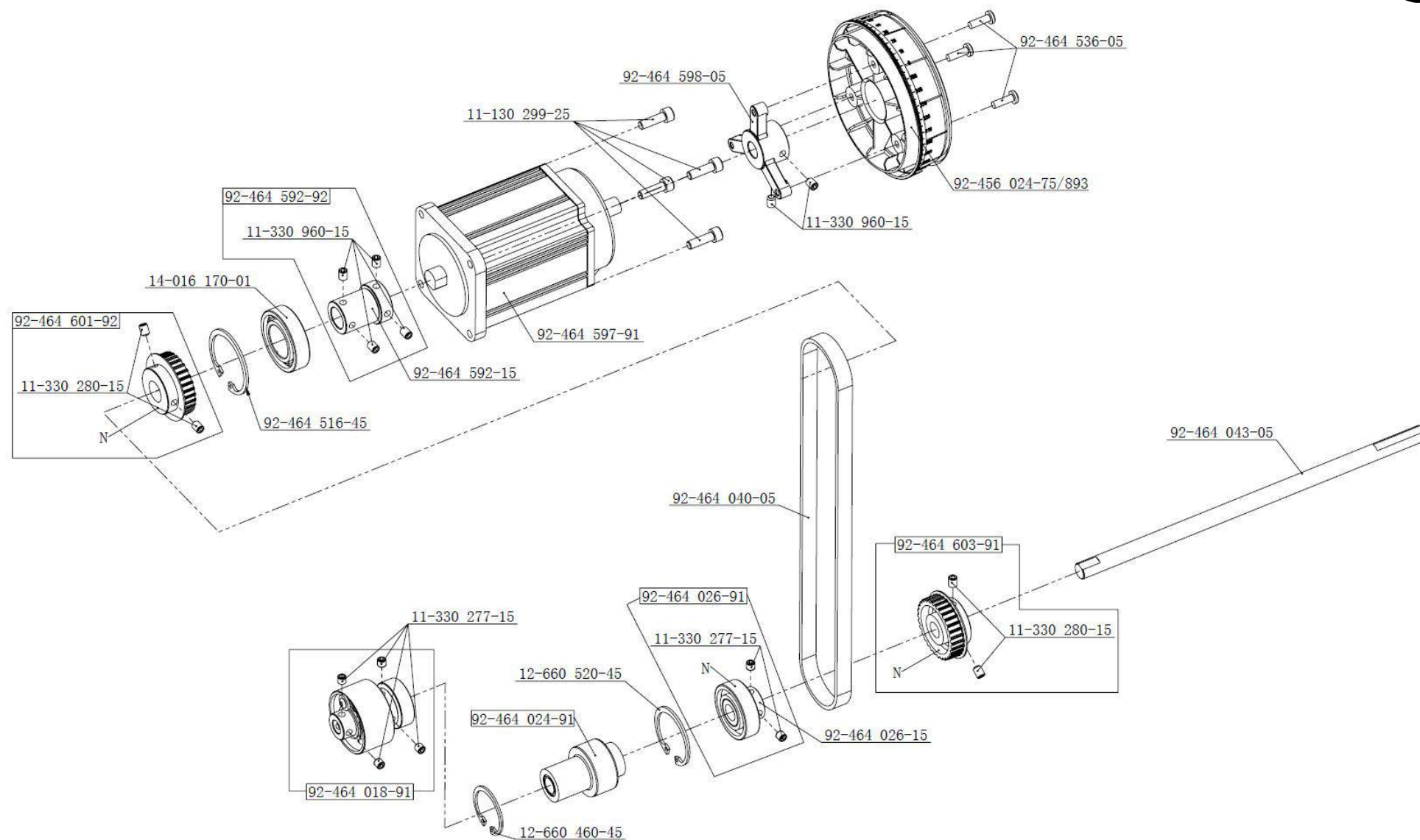


N - not available as separate part  
不作为单独零部件提供

CI. MAUSER 2645

Edition/2020年05月版

Courtesy of:

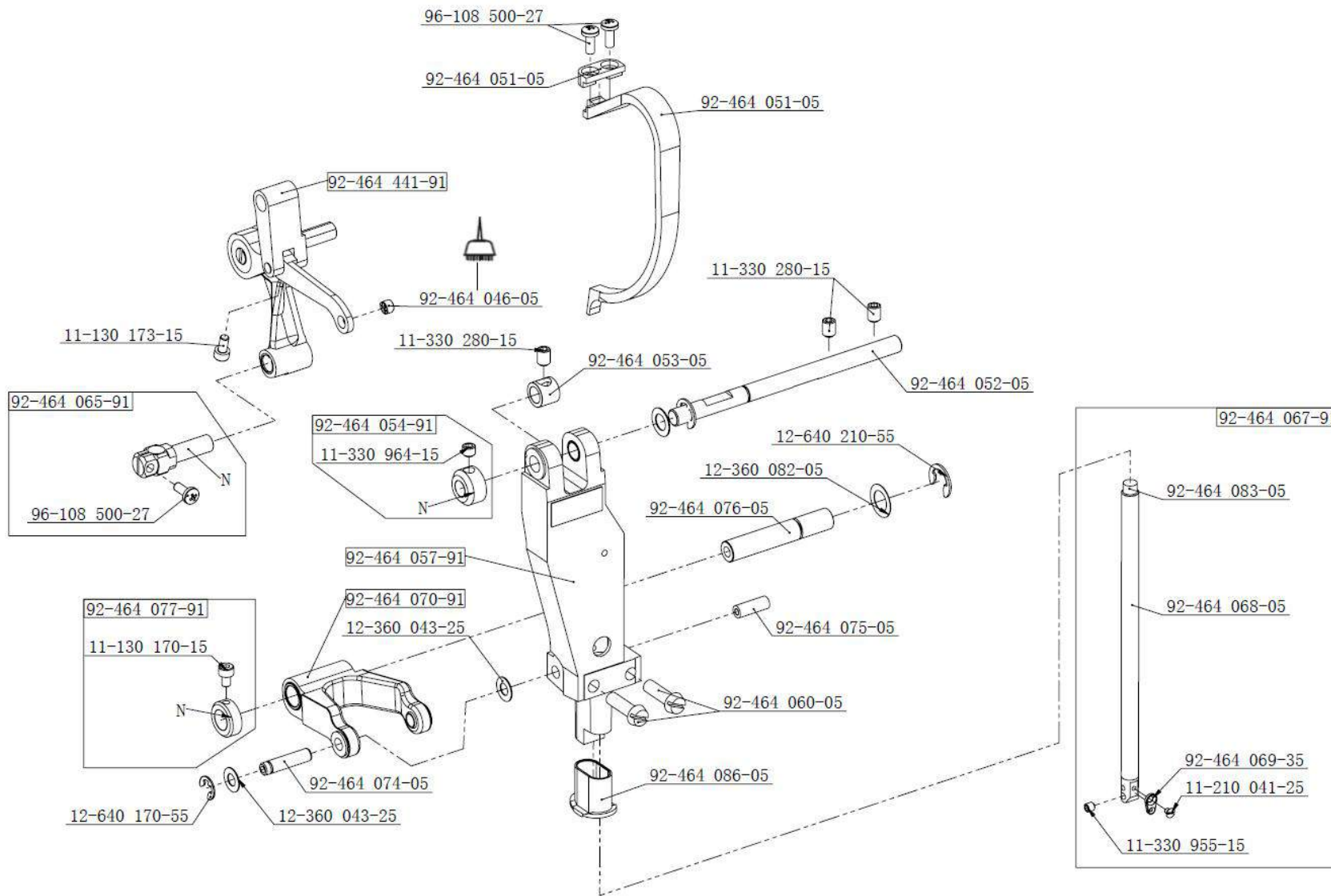


N - not available as separate part  
不作为单独零部件提供

# CI. MAUSER 2645

Edition/2020年05月版

Courtesy of:



N - not available as separate part  
不作为单独零部件提供

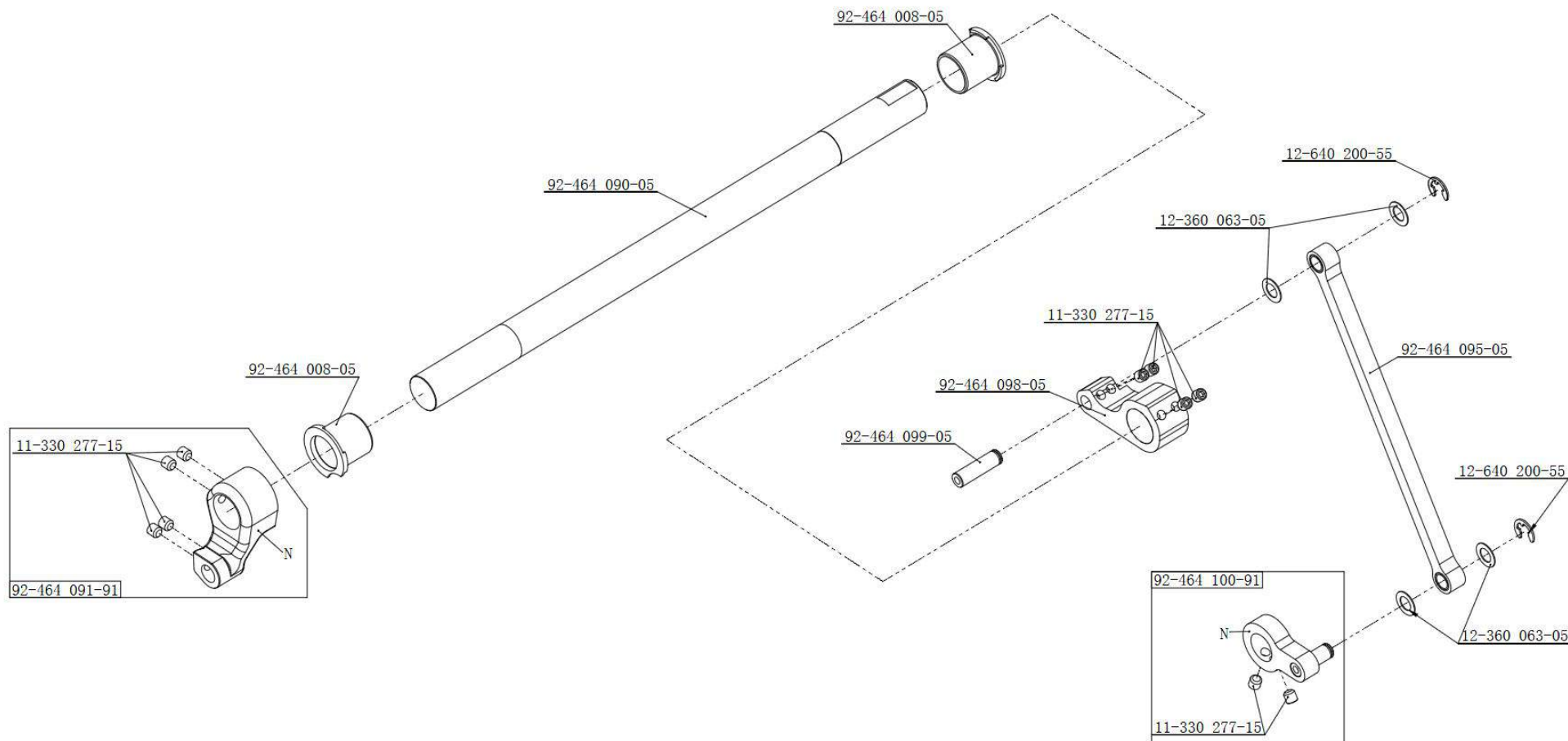
# CI. MAUSER 2645

Edition/2020年05月版

Courtesy of:



4



N - not available as separate part  
不作为单独零部件提供

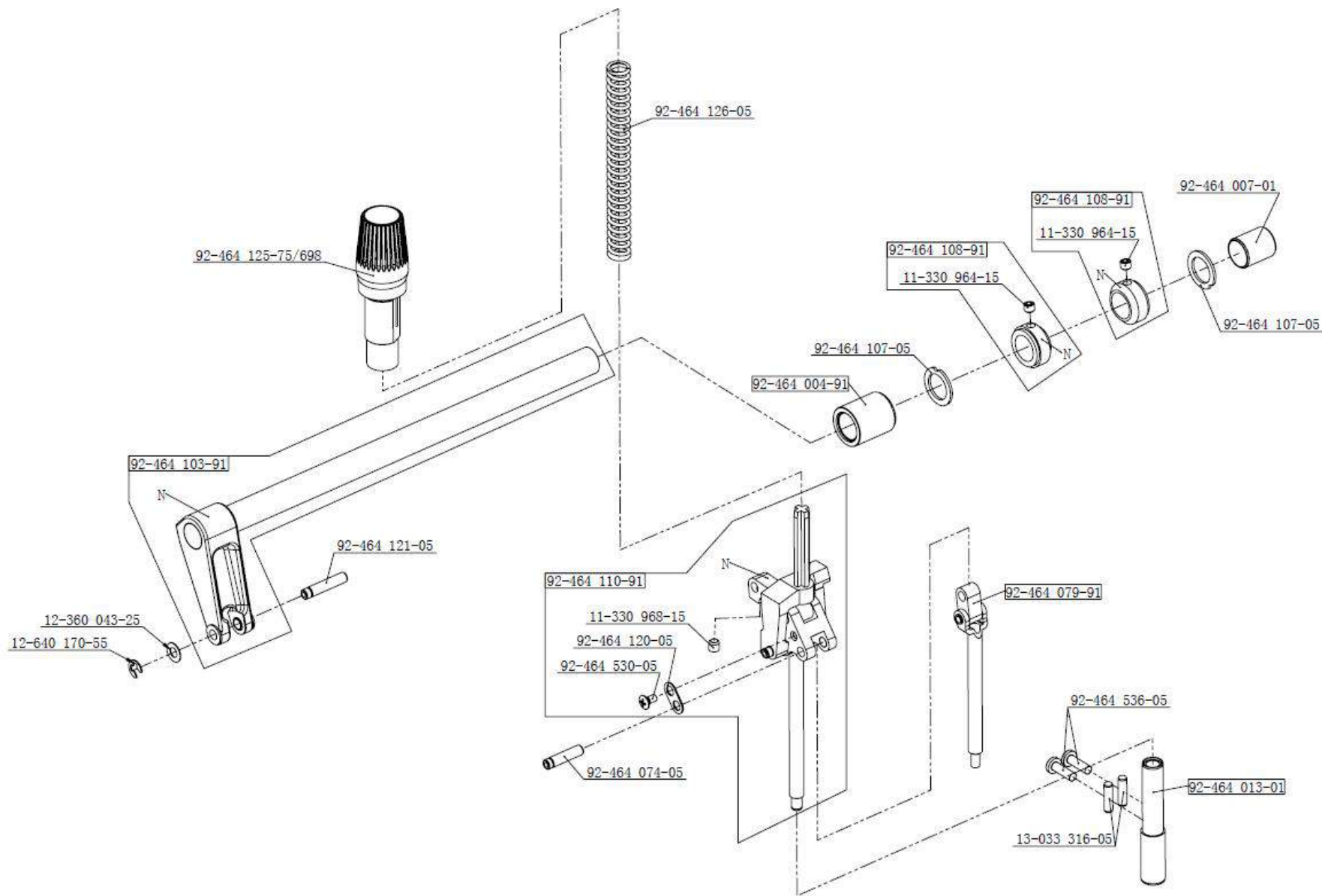
CI. MAUSER 2645

Edition/2020年05月版

Courtesy of:



5



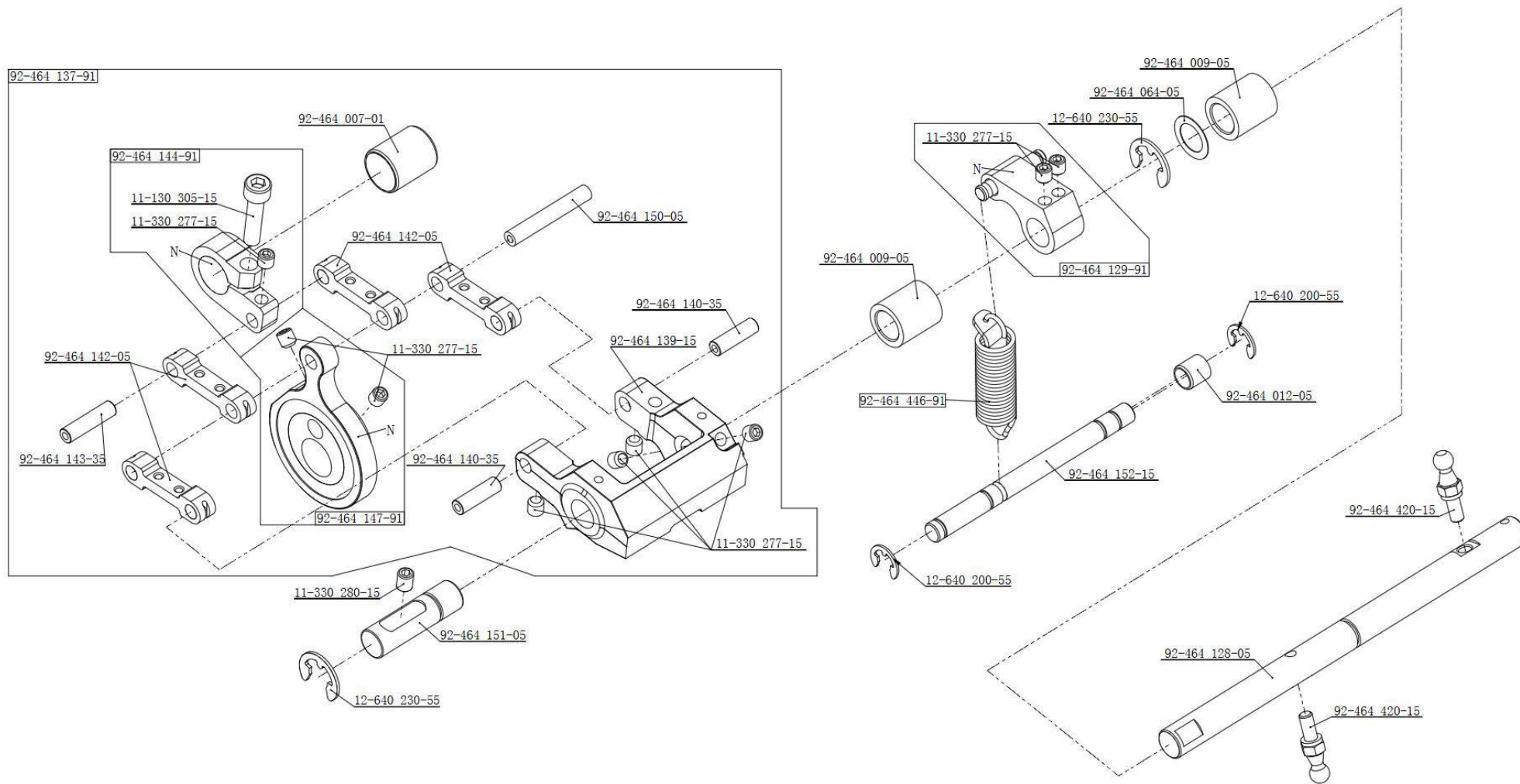
N - not available as separate part  
不作为单独零部件提供

CI. MAUSER 2645

Edition/2020年05月版



Courtesy of:

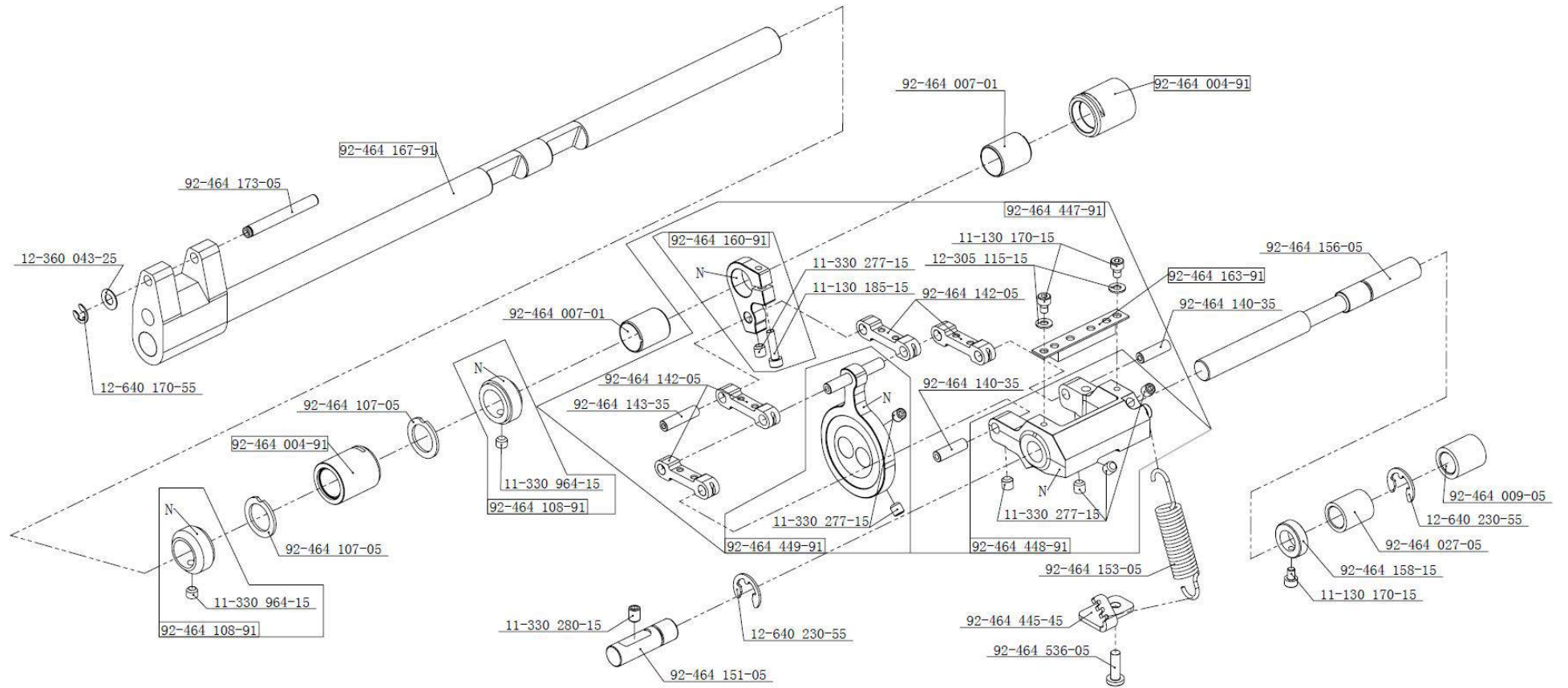


N - not available as separate part  
不作为单独零部件提供

# CI. MAUSER 2645

Edition/2020年05月版

Courtesy of:

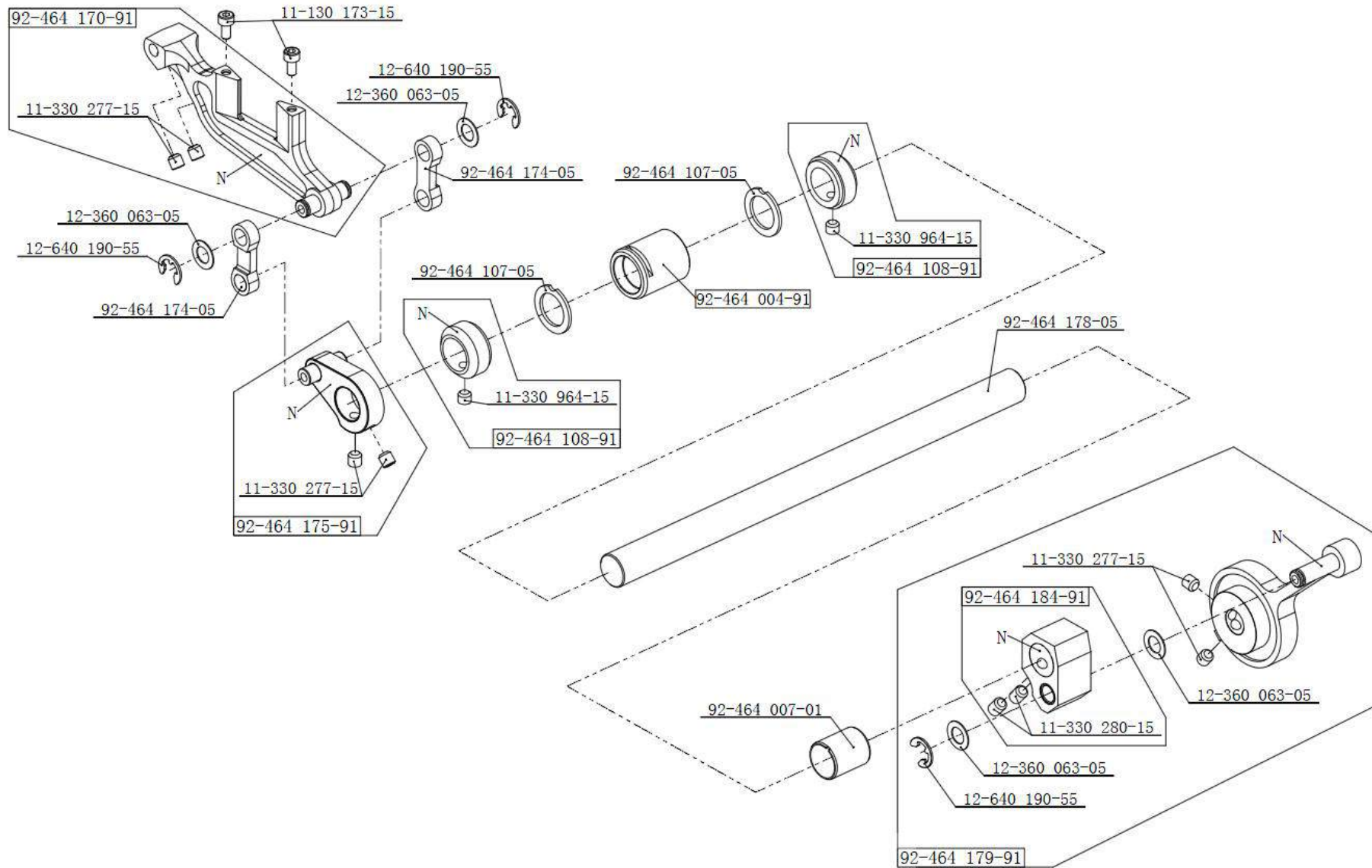


N - not available as separate part  
不作为单独零部件提供

# CI. MAUSER 2645

Edition/2020年05月版

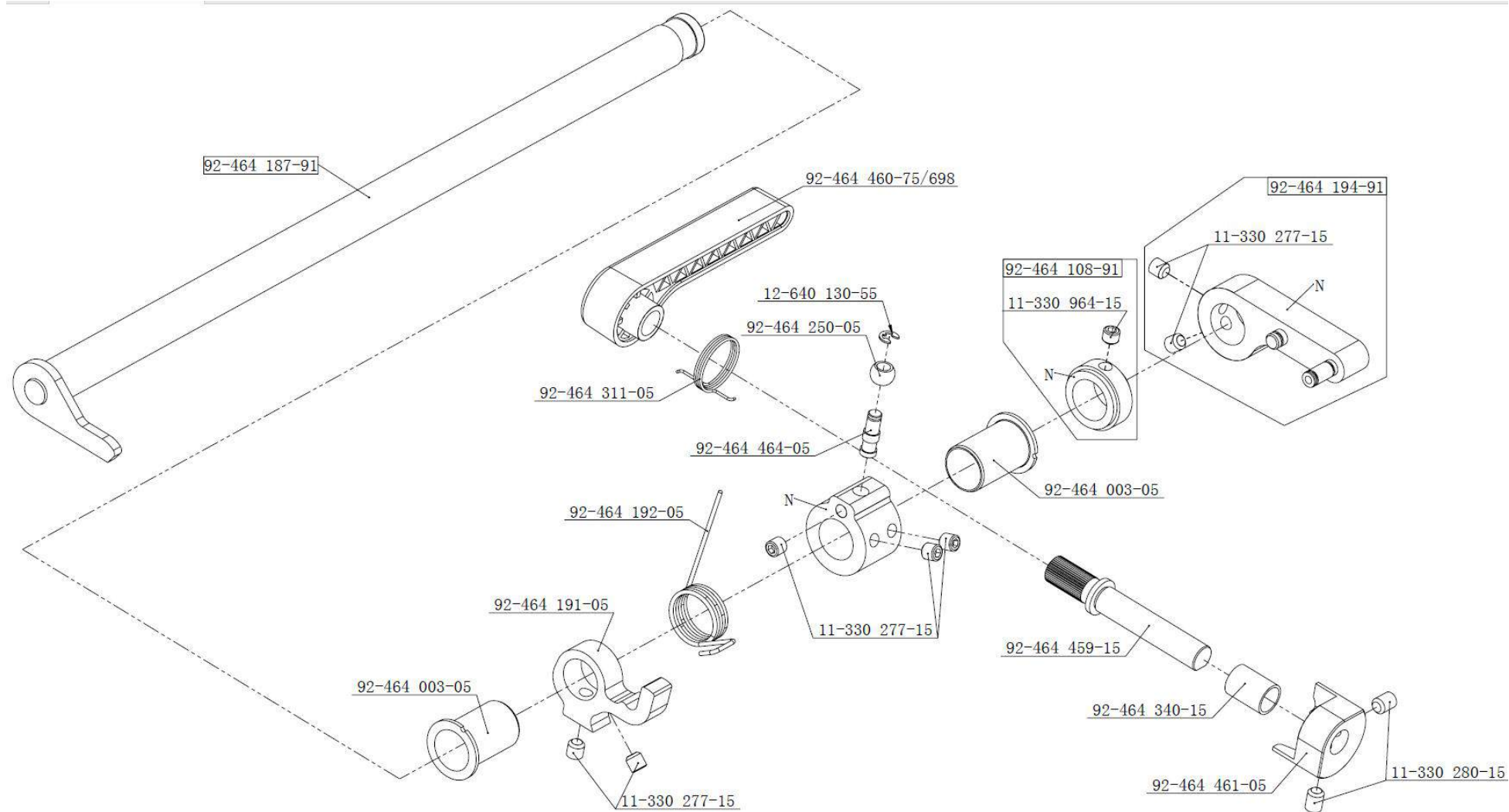
Courtesy of:



N - not available as separate part  
不作为单独零部件提供

# CI. MAUSER 2645

Courtesy of:

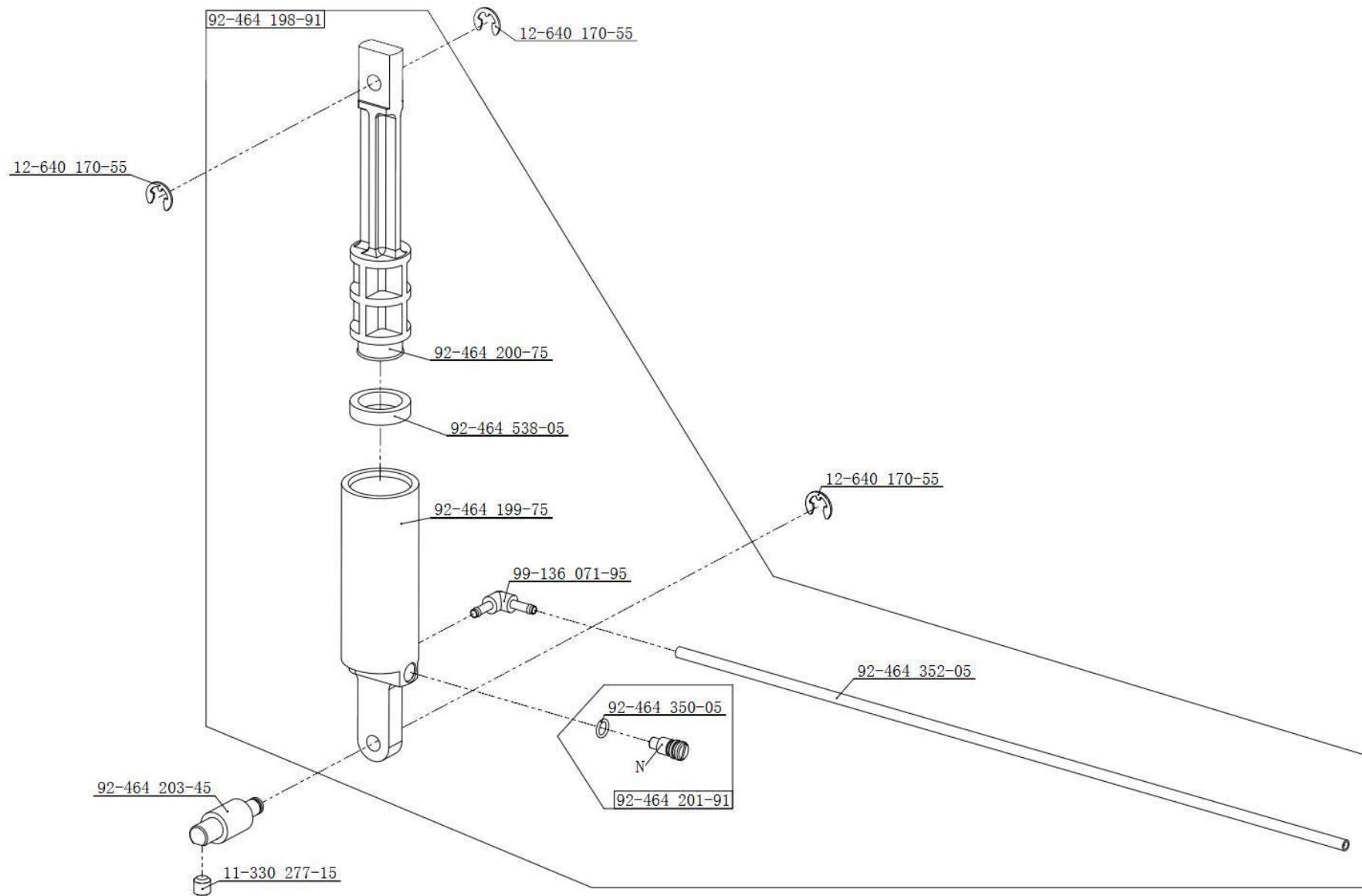


N - not available as separate part  
不作为单独零部件提供

# CI. MAUSER 2645

Edition/2020年05月版

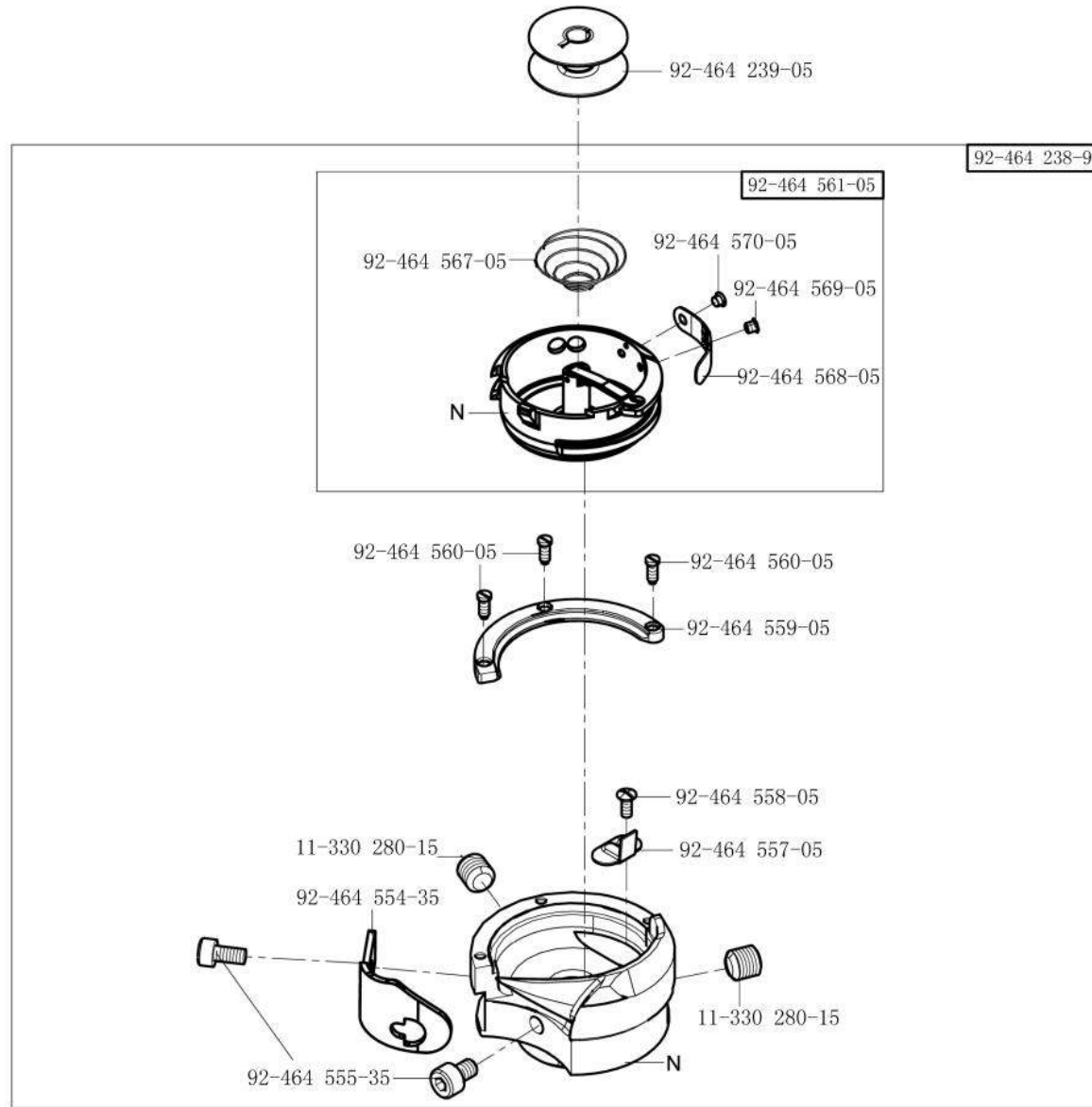
Courtesy of:



N - not available as separate part  
不作为单独零部件提供

# CI. MAUSER 2645

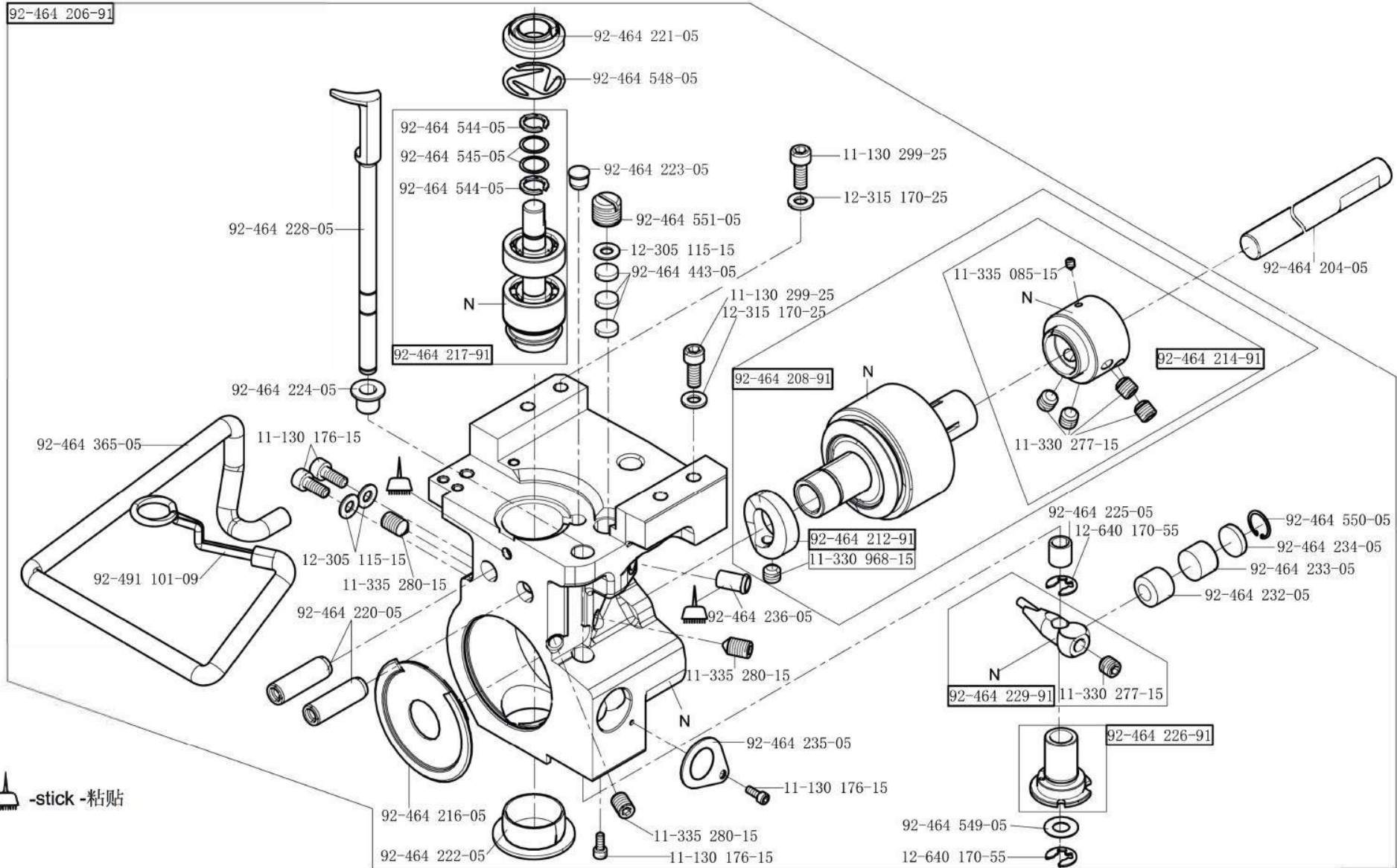
Courtesy of:



N - not available as separate part  
不作为单独零部件提供

# CI. MAUSER 2645

Courtesy of:

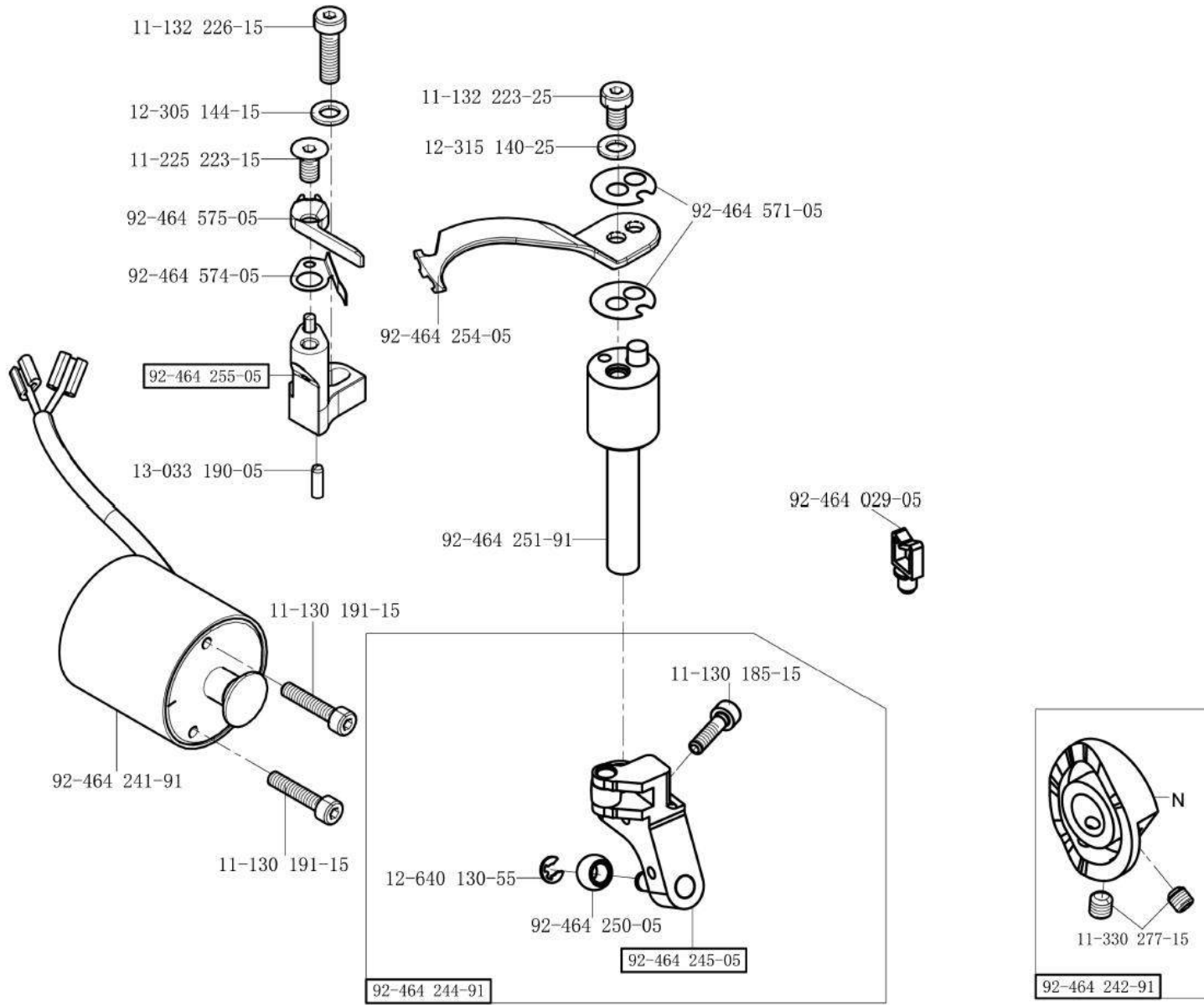


-stick -粘貼

N - not available as separate part  
不作为单独零部件提供

# CI. MAUSER 2645

Courtesy of:

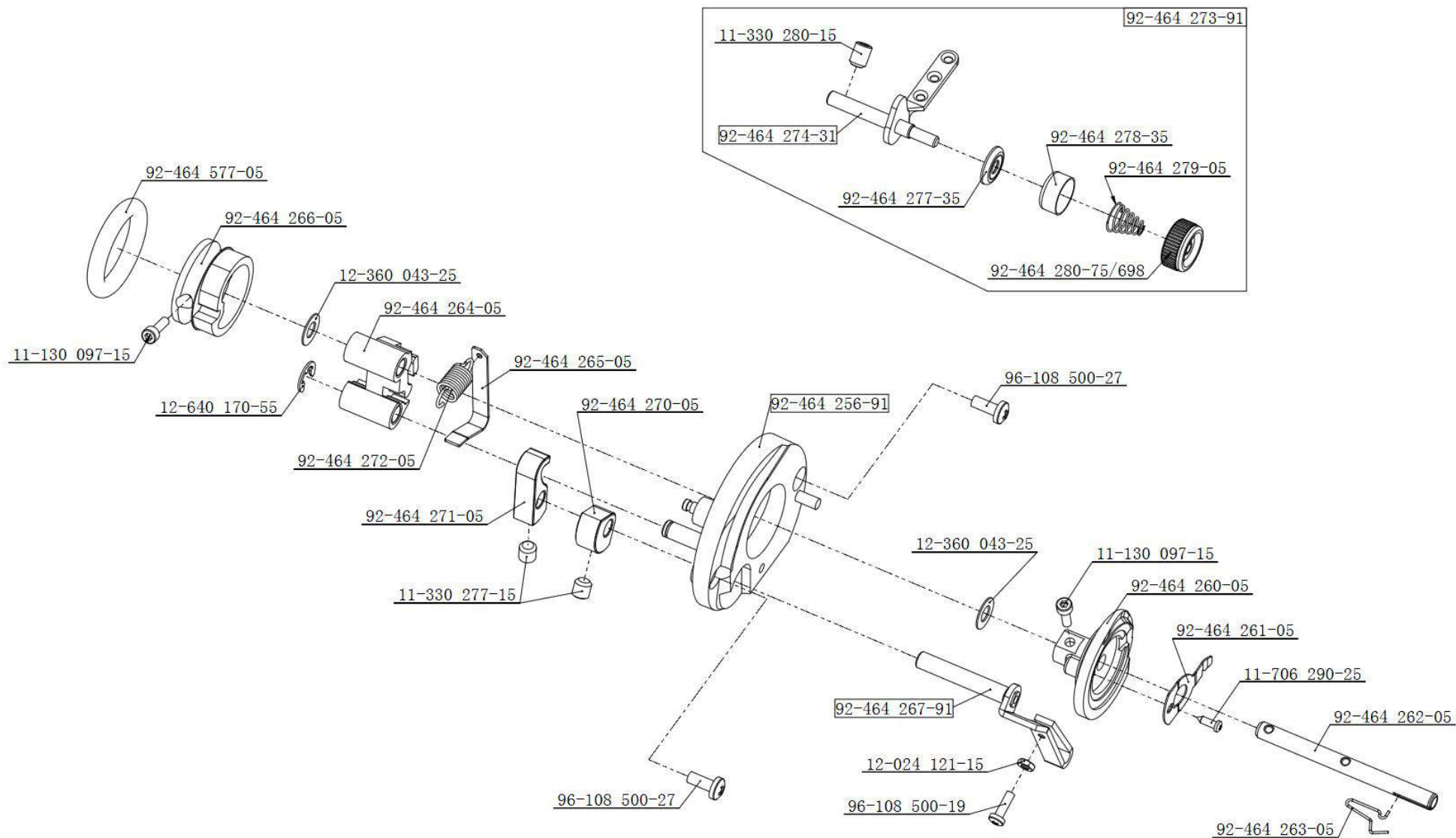


N - not available as separate part  
不作为单独零部件提供

# CI. MAUSER 2645



Courtesy of:

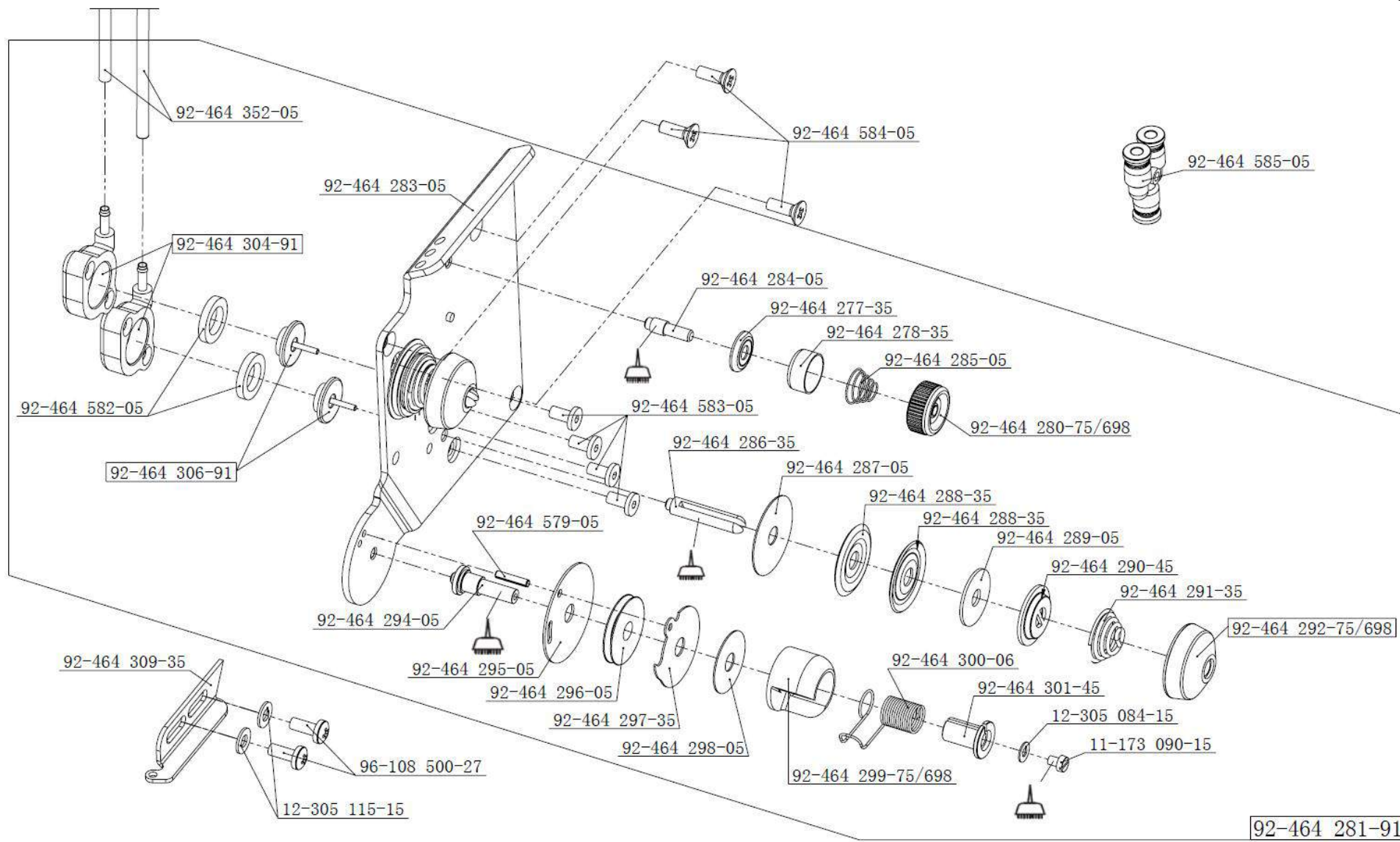


N - not available as separate part  
不作为单独零部件提供

# CI. MAUSER 2645

Edition/2020年05月版

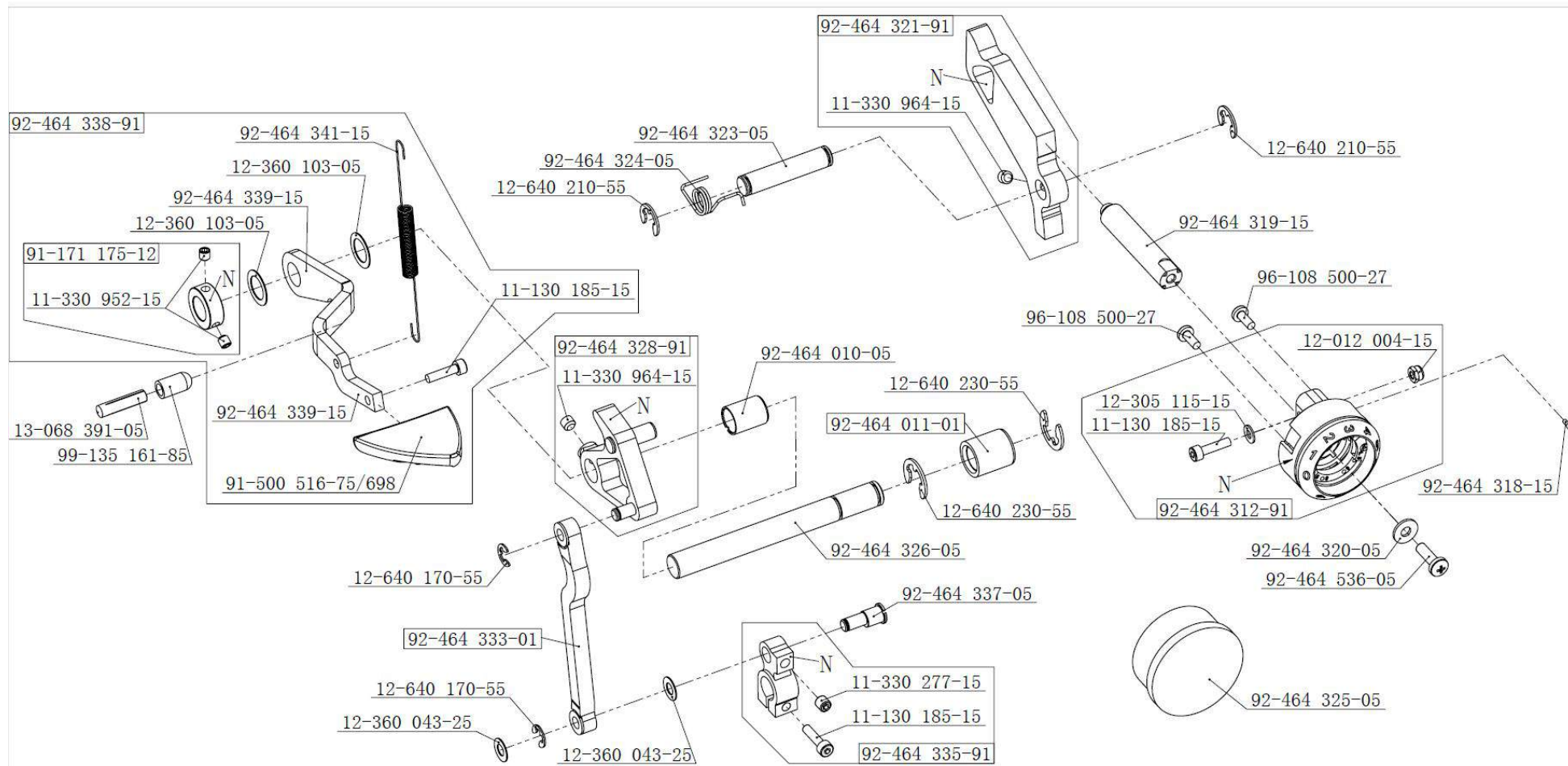
Courtesy of:



N - not available as separate part  
不作为单独零部件提供

# CI. MAUSER 2645

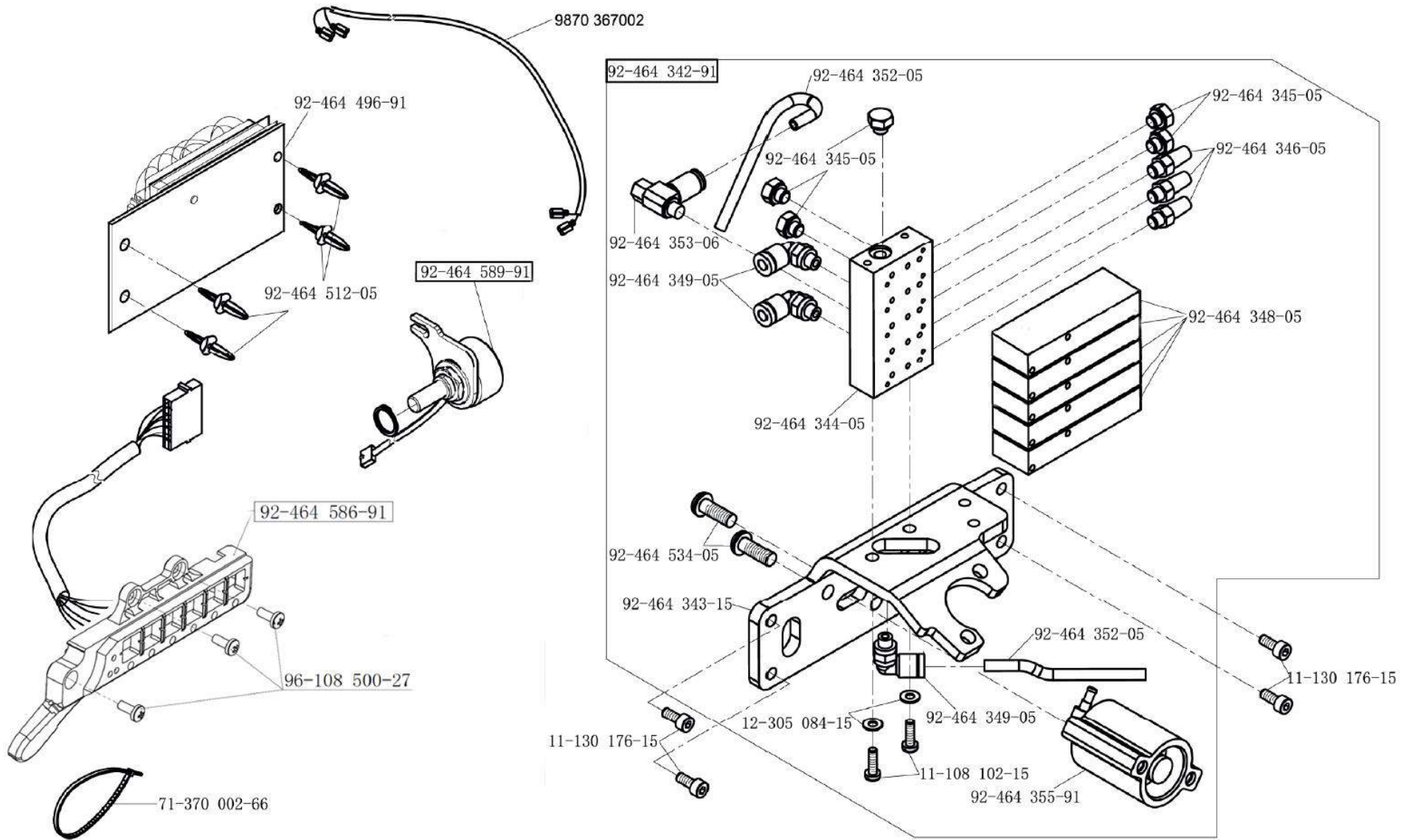
Edition/2020年05月版



N - not available as separate part  
不作为单独零部件提供

# CI. MAUSER 2645

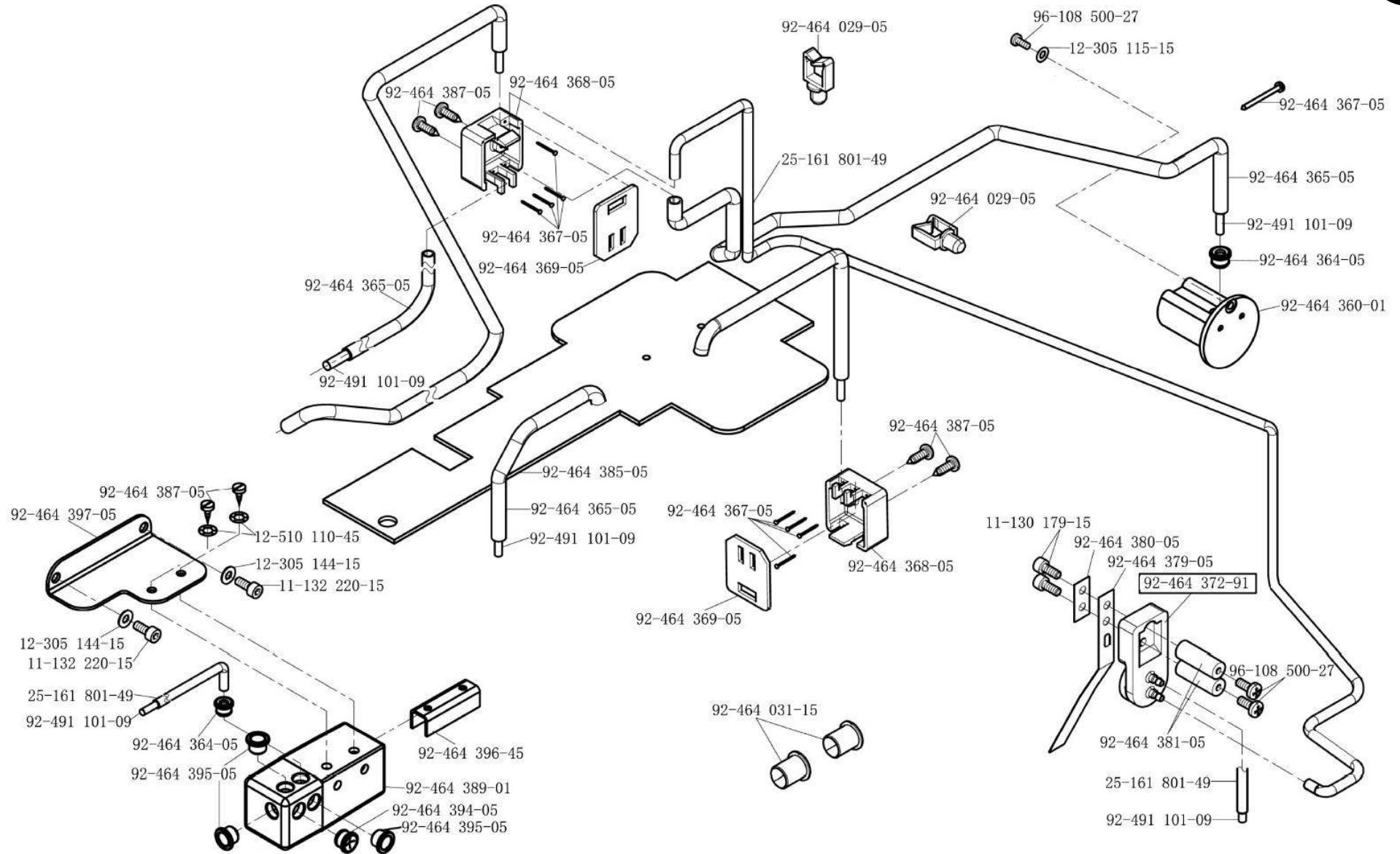
Courtesy of:



N - not available as separate part  
不作为单独零部件提供

# CI. MAUSER 2645

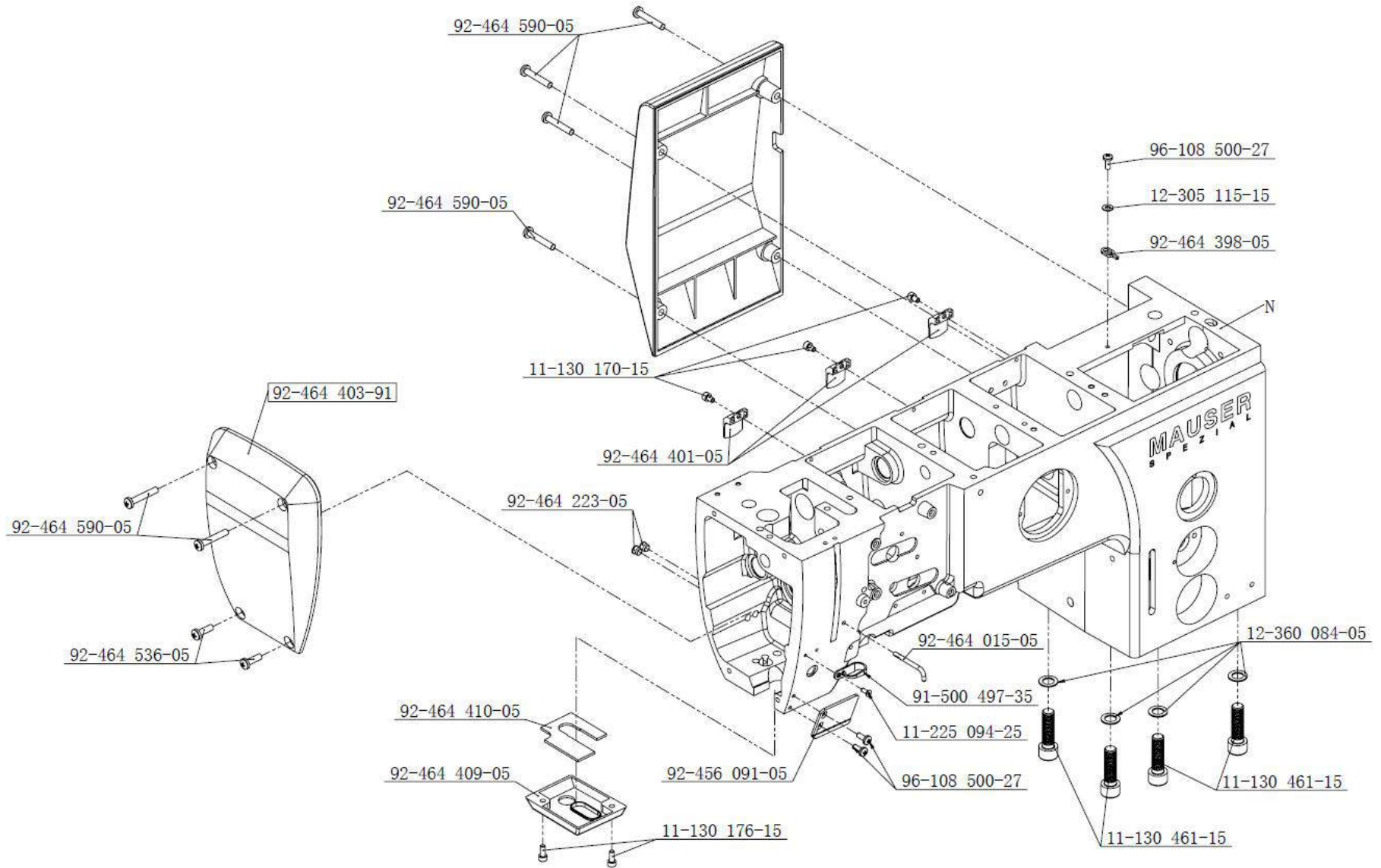
Courtesy of:



N - not available as separate part  
不作为单独零部件提供

# CI. MAUSER 2645

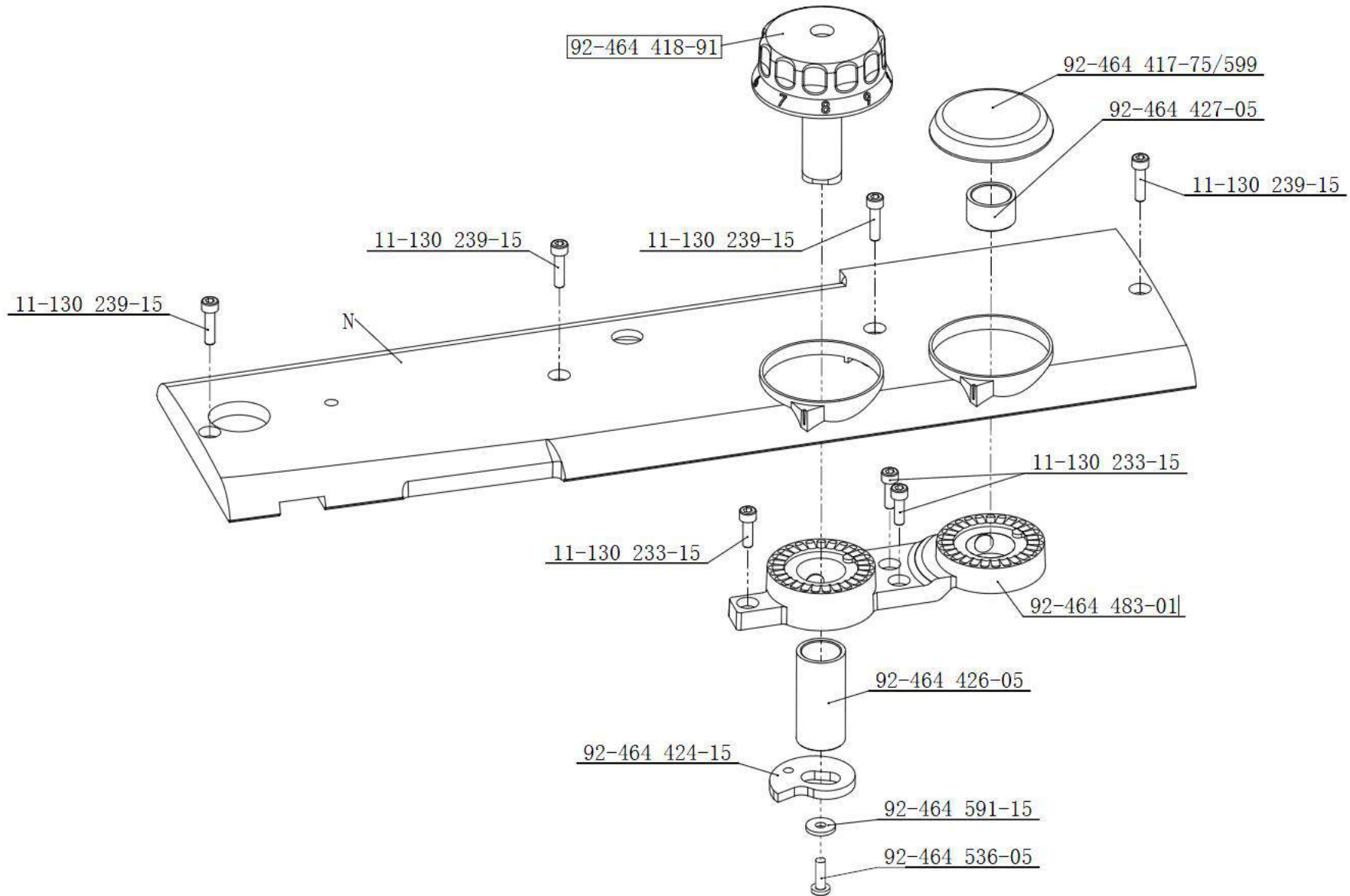
Courtesy of:



N - not available as separate part  
不作为单独零部件提供

# CI. MAUSER 2645

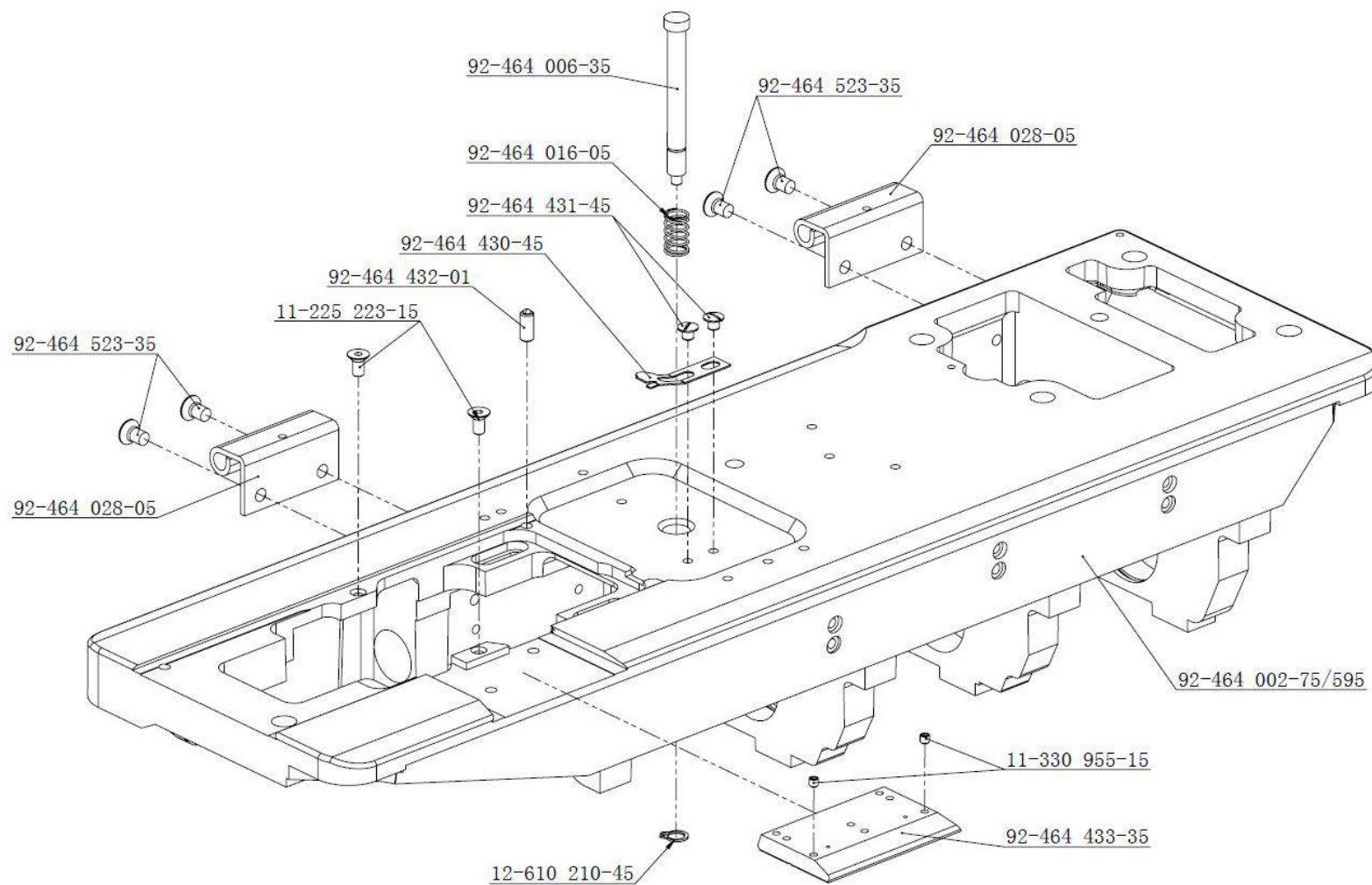
Courtesy of:



N - not available as separate part  
不作为单独零部件提供

# CI. MAUSER 2645

Courtesy of:

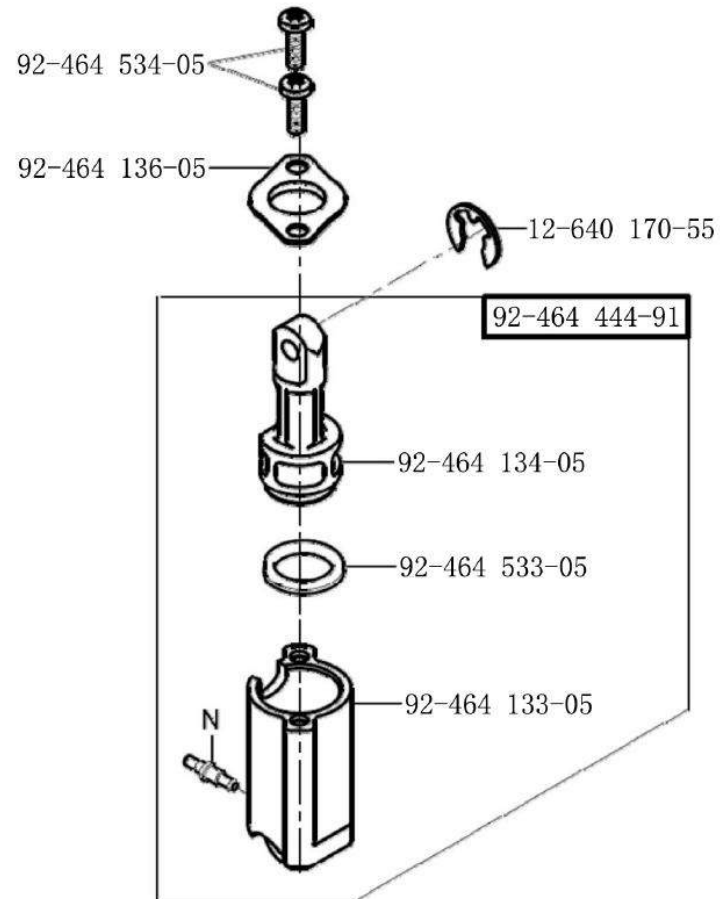
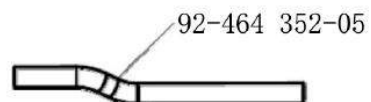
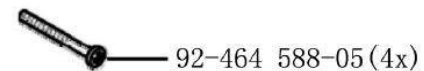
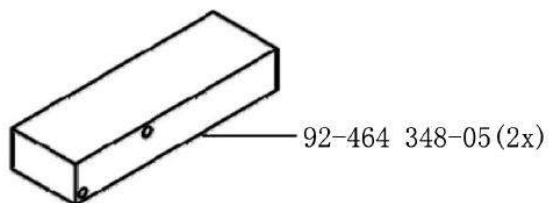
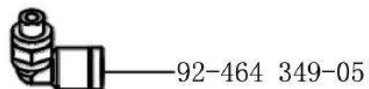
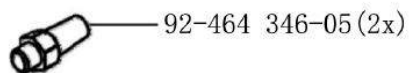
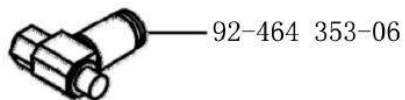
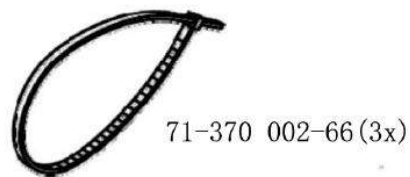


N - not available as separate part  
不作为单独零部件提供

# CI. MAUSER 2645



Courtesy of:

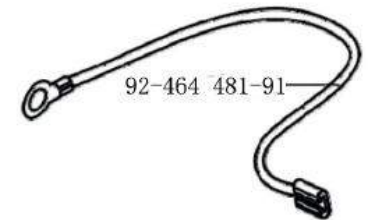
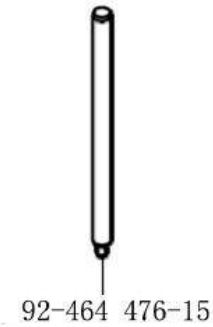
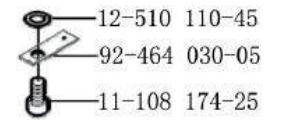
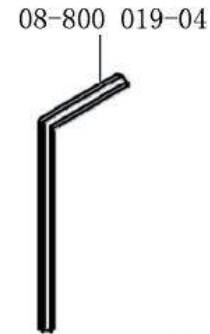
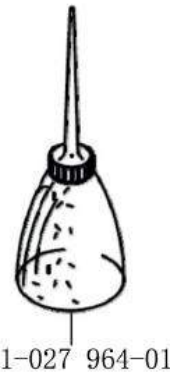
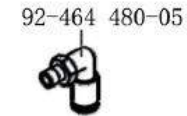
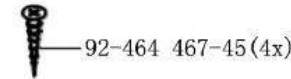
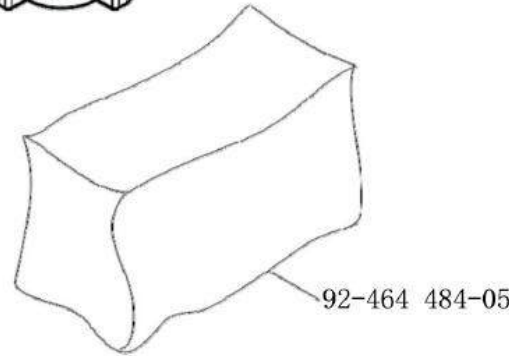
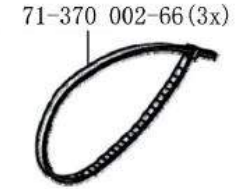
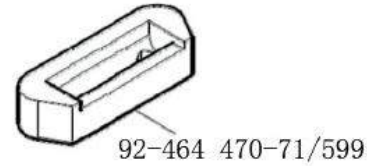
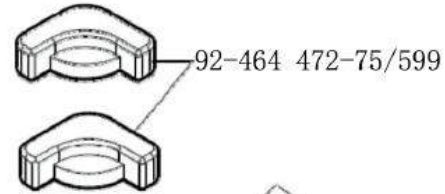
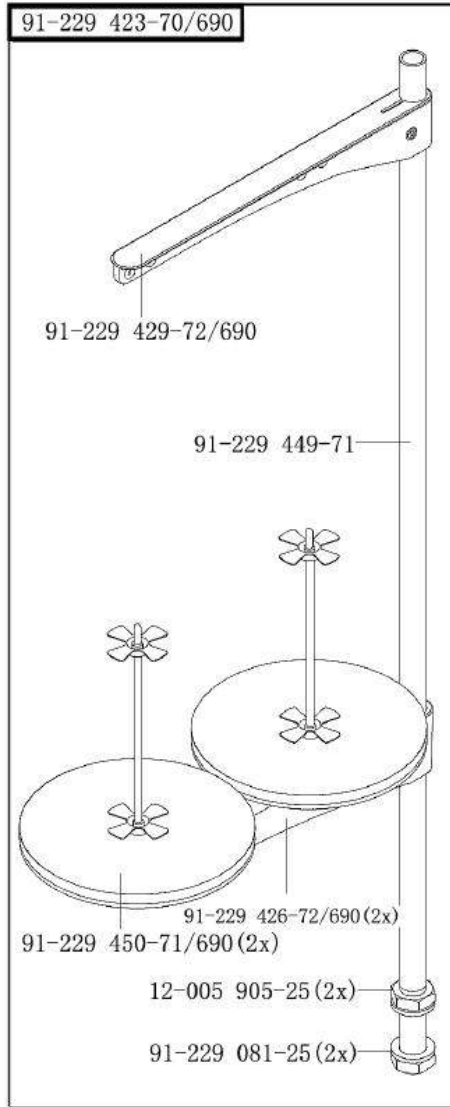


N - not available as separate part  
不作为单独零部件提供

CI. MAUSER 2645

Edition/2020年05月版

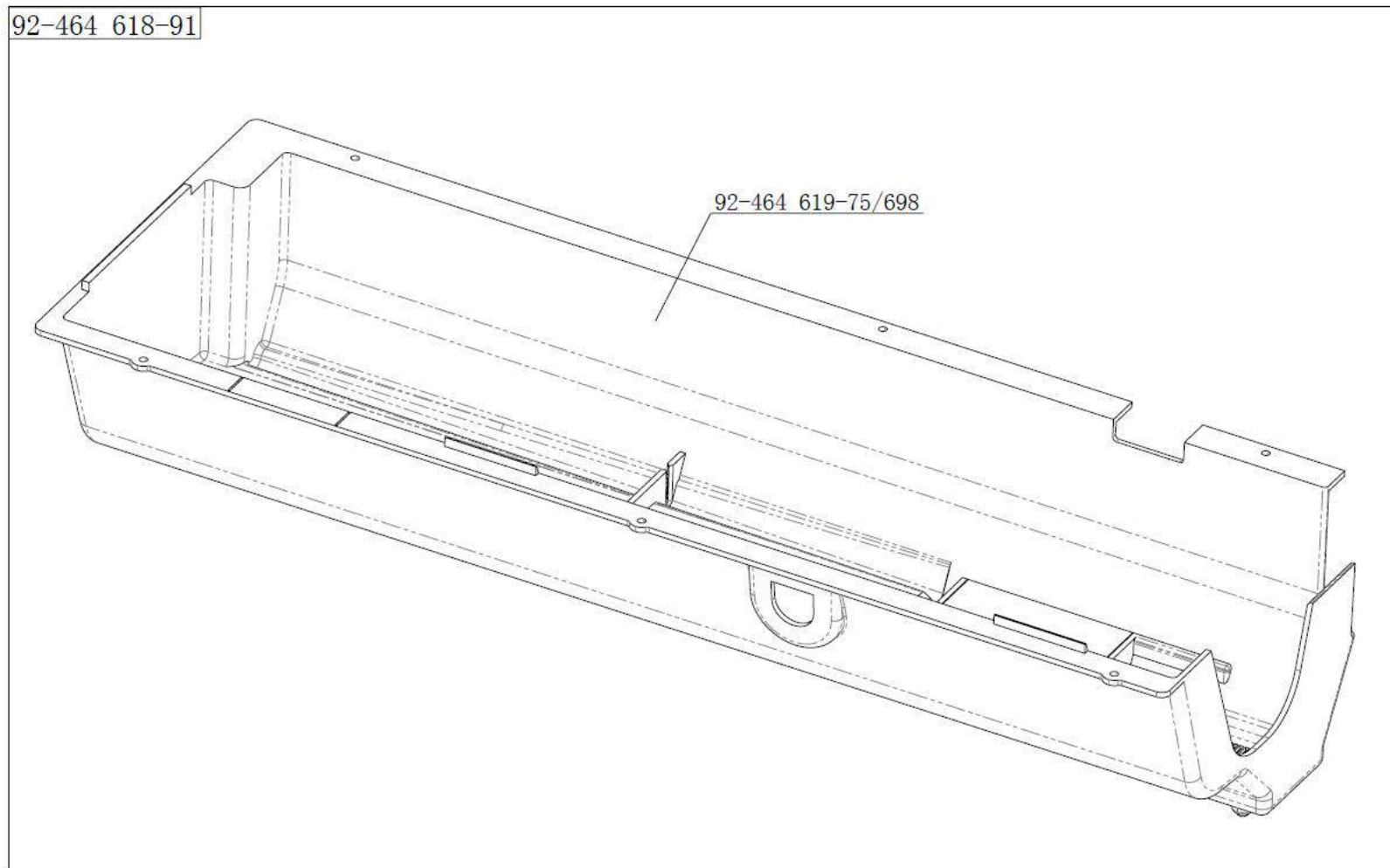
Courtesy of:



N - not available as separate part  
不作为单独零部件提供

# CI. MAUSER 2645

Courtesy of:



N - not available as separate part  
不作为单独零部件提供

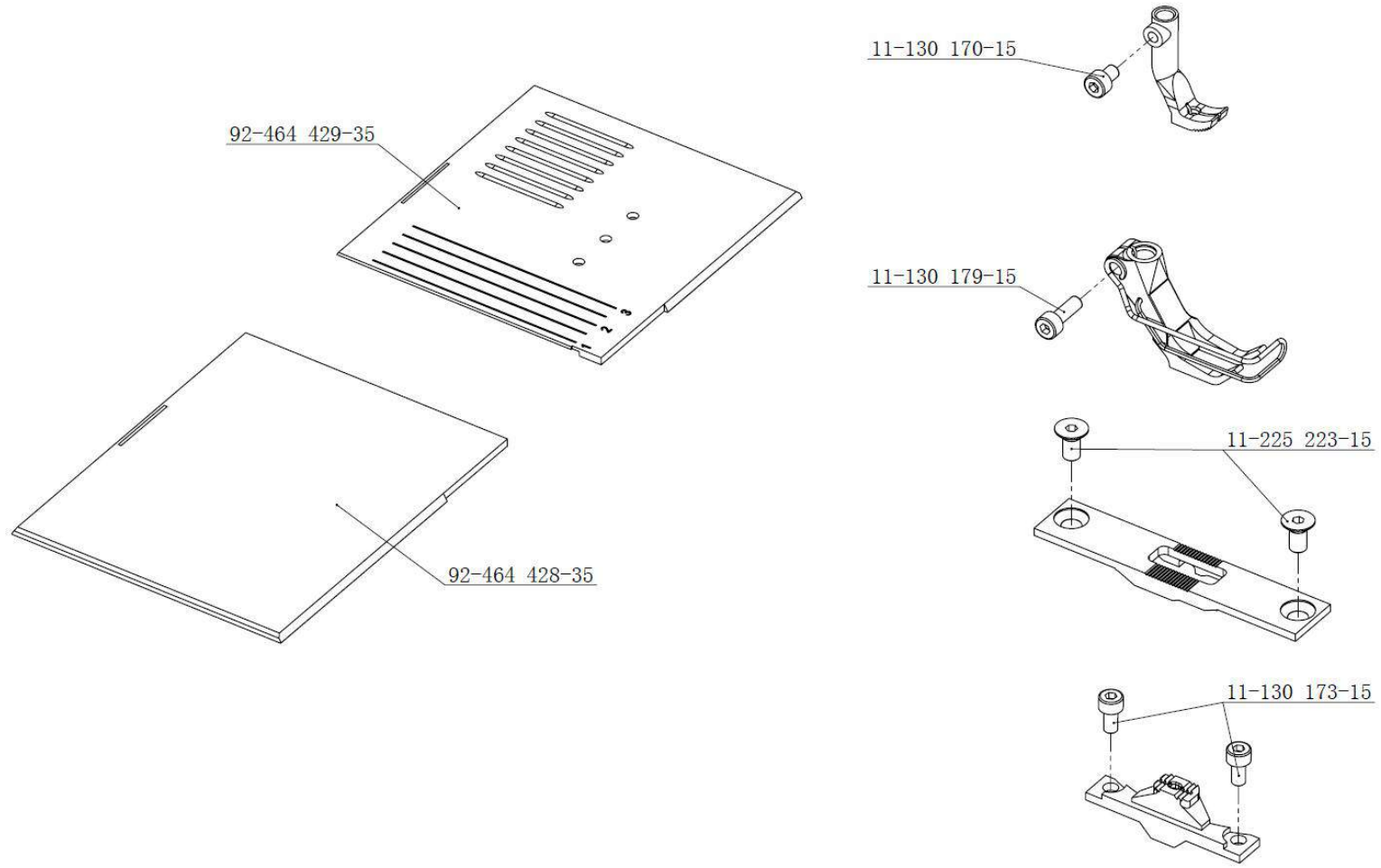
CI. MAUSER 2645

Edition/2020年05月版

Courtesy of:



## Fastening parts for Sewing equipment 缝制设备固定件

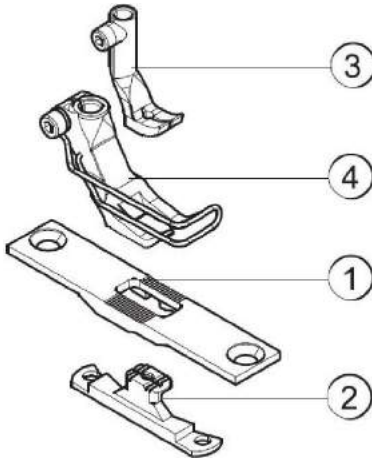


CI. MAUSER 2645

Edition/2020年05月版



E1



E2



E4



E5



E7

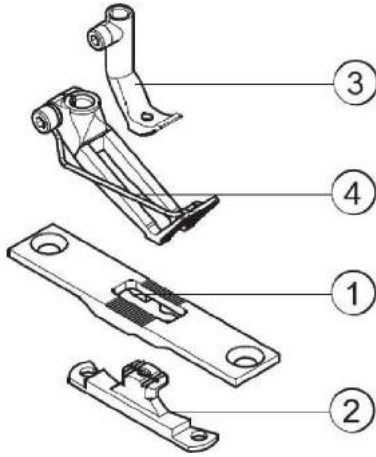


E8

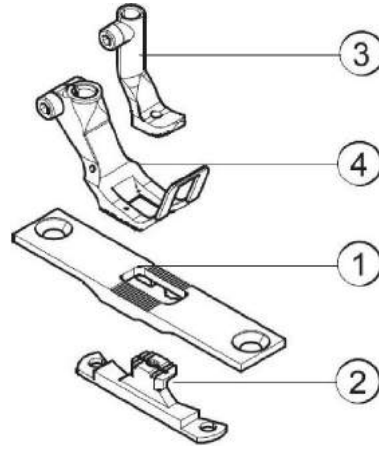




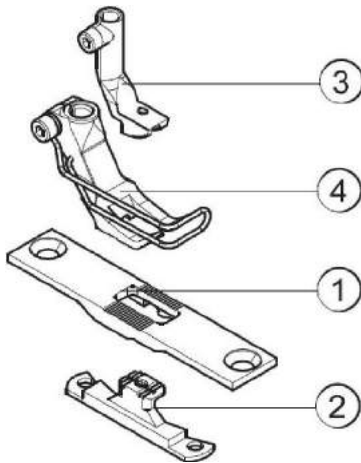
E11



E12



E14



E15



E16

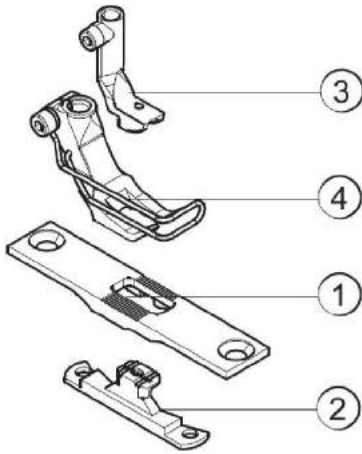


E17

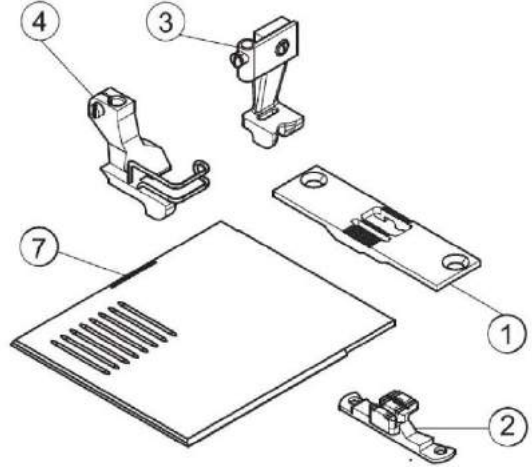




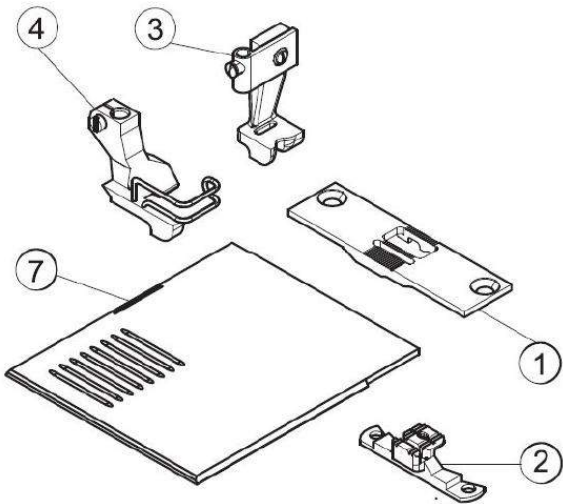
E18



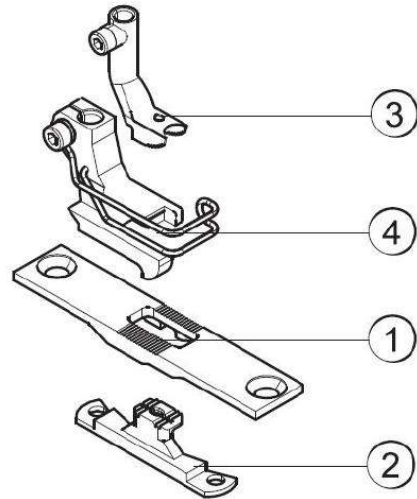
E25



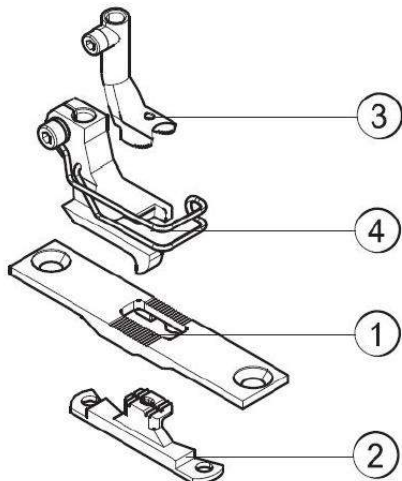
E26



E36



E38





Sewing equipment  
缝制设备

MH 2645

Edition  
版本  
09.10

Page  
页码 4

Continued page  
续页 5

E-No. 版本号	Use 使用	Material Nr. 材料号	Throat Plate 针板 ①			Feed dog 送料牙 ②				Presser foot 压脚 ③		Feeding Foot 送料压脚 ④		Needle holder 针架	Needle system/-size 机针系统/规格
			Throat plate 针板	Slide, left 左推板	Slide, right 右推板	Stitch hole size 线迹孔尺寸	Serrated 锯齿	Serrated 锯齿, 斜角	Cross toothed 交叉齿	Roof-shaped 顶状	Presser foot 压脚	Non toothed 非齿状	Skipping f., cross toothed 跳线, 交叉齿		
E1	Sewing equipment, needle size Nm 110-140, stitch length max.6mm, for medium weight material. 缝制设备, 机针尺寸 Nm 110-140, 最大针距长度 6mm, 适用于中等重量的材料。														
E2	Sewing equipment, needle size Nm 110-140, stitch length max.9mm, for medium weight material. 缝制设备, 机针尺寸 Nm 110-140, 最大针距长度 9mm, 适用于中等重量的材料。	92-464 434-35			2.2×3.2	92-464 186-45			92-464 122-91				92-464 087-91		
E4	Sewing equipment, needle size Nm 140-170, stitch length max.6mm, for medium weight material. 缝制设备, 机针尺寸 Nm 140-170, 最大针距长度 6mm, 适用于中等重量的材料。														
E5	Sewing equipment, needle size Nm 140-170, stitch length max.9mm, for medium weight material. 缝制设备, 机针尺寸 Nm 140-170, 最大针距长度 9mm, 适用于中等重量的材料。														
E7	Sewing equipment for stitching on edges, from 1mm on the right from the needle, needle size Nm 110-140, stitch length max. 6mm, for medium weight material. 用于边缘上线迹的缝制设备, 右侧距机针 1mm 起, 机针尺寸 Nm110-140, 最大针距长度 6mm, 适用于中等重量的材料。														
E8	Sewing equipment for stitching on edges, from 1mm on the left from the needle, needle size Nm 110-140, stitch length max. 6mm, for medium weight material. 用于边缘上线迹的缝制设备, 左侧距机针 1mm 起, 机针尺寸 Nm110-140, 最大针距长度 6mm, 适用于中等重量的材料。														

Courtesy of:

