



# Waterfalls - SC

## Mailbox Order Form

2026

**Call, Email, or Mail this form. Full payment is required to process your order.**

Today's Date: \_\_\_\_\_

### Mailbox Installation or Shipping Location:

Name: \_\_\_\_\_ Phone: \_\_\_\_\_

Address: \_\_\_\_\_

Lot #: \_\_\_\_\_ County/Township: \_\_\_\_\_

City: \_\_\_\_\_ State: \_\_\_\_\_ Zip: \_\_\_\_\_

### Bill To Address:

Name: \_\_\_\_\_

Address: \_\_\_\_\_

City: \_\_\_\_\_ State: \_\_\_\_\_ Zip: \_\_\_\_\_

Email: \_\_\_\_\_

### PLEASE CHOOSE FROM THE FOLLOWING OPTIONS

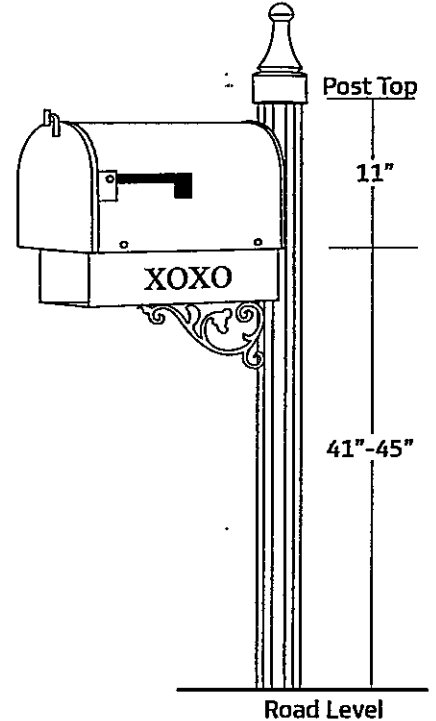
Complete Mailbox Unit	
Mailbox	\$311.64
Tax (0% SC Sales Tax)	\$0.00
Shipping	\$80.00
<b>TOTAL</b>	<b>\$391.64</b>

Mailbox Replacement Parts	
Small Mailbox	\$44.42
Small Paper Box	\$92.55
6ft Alum. Post	\$115.50
Cast Alum. Spear Post Cap	\$53.06
Gold Reflective Address	\$21.00
Alum. Aztec Scroll	\$92.97
<b>SUBTOTAL</b>	
Shipping (TBD)	
<b>TOTAL</b>	

### ADDRESS TO APPEAR ON MAILBOX

--	--	--	--	--

\*\* Additional charges will apply for out of our coverage area



**Payment Type:** VISA  Master Card  AMEX  Discover  or Check #: \_\_\_\_\_

Card #: \_\_\_\_\_

Payment Amount: \_\_\_\_\_ Exp. Date: \_\_\_\_\_ CVC: \_\_\_\_\_

Address on Card Statement: \_\_\_\_\_

City: \_\_\_\_\_ State: \_\_\_\_\_ Zip: \_\_\_\_\_

Cardholder Name: \_\_\_\_\_

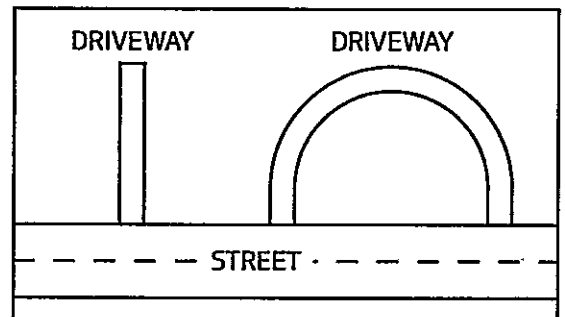
Cardhold Signature: \_\_\_\_\_

Please allow 3 weeks from receipt of payment for pickup and install orders. It may take longer during times of heavy demand for our mailboxes. Site must be finish graded and ready for install to avoid additional \$85.00 trip fees. Irrigation lines must be marked on this form to avoid damage.

B SIGN GROUP is not liable for damage to irrigation lines not marked on this form. Mailboxes will be installed in a manner consistent with US Postal Regulations. All Mailbox orders must be prepaid.

\$30.00 Return Check Fee Applicable.

### Place "X" below at Mailbox Location:



**Any Irrigation Lines Must Be Shown Here**  
Irrigation Lines? YES  NO

812.949.7446 or  
888.561.0007 TOLL FREE  
502.561.0051 FAX



4239 Earnings Way, New Albany, IN 47150

fred@bsigngroup.com

bsigngroup.com