



RDX Quick Start Guide

Green-GO RDX

Quick Start Guide

Product description

With the Green-GO Radio Interface you can connect your radio to the Green-GO network through a D-SUB 9 connector.

Features

- Connect your (Walkie-Talkie) radio to the Green-GO network
- Push-To-Talk function to remotely operate the (Walkie-Talkie) radio
- One radio channel becomes one group of the Green-GO network
- Powered by PoE (802.3af-2003 standard) from Ethernet port

Setup menu navigation

Pressing the two buttons on the left-hand side of the screen simultaneously will open the RDX setup menu. Once in the menu, the button on the top left will act as the selection and confirmation button. The button on the bottom left will take you one step back out of the currently selected option or menu.

Using the two buttons on the right-hand side, you can scroll through the menu. Having selected an editable parameter, these buttons will let you either raise or lower the parameter's value.

Setup menu overview

The setup menu offers a range of different settings to modify your RDX. The menu sections and their supplementary options are described in detail below.

→ Modifying the program audio parameters

Program In

Src → Select the program audio source.

This will open up a list of sources that can be selected as the program audio source (Stage, Sound, Light, Video, etc.).

Vol → Set the volume of the program audio. The range of the volume can be altered between 12dB and -36dB. To mute the program audio, scroll past -36dB and the MUTE value will show up.

Dim → Dim the program audio during communication. Dimming range can be altered from 0dB to -12dB to -24dB, and a mute option when you scroll past -24dB.

→ Assigning groups and users to channels

Channel Assignment

1-32 → Select one of the 32 available channel to assign a user or group to.

ID → ID of the user or group assigned to the channel

Group → Assign a group to the channel

User → Assign a user to the channel

None → Remove assigned group/user from the channel

Set Label → Set a different label for the channel

Group → Select a group label

User → Select a user label

Clear → Clear the label set

Talk → Set the way the Talk button acts when pressed

Latch / Momentary → Short press: Latch / Long press: Momentary

Latch → Pressing the Talk button enables talking, pressing again disables talking

Momentary → Talk button must be kept pressed to enable talking

Disabled → Disable talking for this channel

Listen On / Listen Off

Listen On → Enable listening to this channel

Listen Off → Display will still indicate talking, but audio will be off

Volume → Set the volume for this channel. The range of the volume can be altered between 12dB and -36dB. To mute the program audio, scroll past -36dB and the MUTE value will show up.

High Priority / Normal Priority / Low Priority → Set the priority level of the channel - see also **Priority dim** in the Options menu

Call Send Enabled / Disabled → Enables or disables the ability to send calls from the channel

Call Receive Enabled / Disabled → Enables or disables the ability to receive calls on the channel

Enhanced / Normal Bandwidth → Set the bandwidth of the channel

An → Assign group to be handled as Announce Channel

Em → Assign group to be handled as Emergency Channel

AutoTalk

Ch1-32 / Off

→ Modifying the audio settings

Audio Settings

Volume → Set the volume for the RDX. The volume range can be altered between -10dB and -60dB.

AutoGain → Set the dynamic amplification to avoid distortion.
Available settings are **Slow** – **Med** – **Fast** – **Off**. If AutoGain is turned off the Max Gain option is disabled.

MaxG → Set the maximum gain of the input signal - editable range is 30 – 70dB.

Thld → Set the threshold level required for the input signal to be transmitted – editable range is -40 to -20dB.

→ General options

Options

Active Time → Set the time for a channel to be active after the last audio activity.
Editable range is 0.5 – 45.0 seconds.

Isolate On/Off → Determines whether or not all other channels will be muted when you enable Talk on a channel

Buzzer On/Off → Enable/disable the buzzer that will sound when an alert is received

Tone → Set the level of the audio signal used for Alert, Cue, Connection Status and Battery status – range is MAX, -1dB to -48dB, MUTE

No Listen on Talk / Listen on Talk → Determines whether or not a muted channel is allowed to be temporarily unmuted when enabling Talk on the channel

Answer Enabled / No Answer → Enable or disable the ability to answer a call

Popup → Select the popup behavior

Popup All → All popups are shown

Popup Cue + Direct → Popups for Cue signals and direct Talk only

Popup Cue → Popups for Cue signals only

No Popup → No popups

Priority Dim → Set the dimming level of a lower priority channel if a higher priority channel becomes active / Range: 0dB → -24db, MUTE

Direct Priority → Set the priority for direct channels: Low / Normal / High

Direct Volume → Set the volume for direct channels / Range: 12db → -36dB, MUTE

AutoTalk Ch1-32 / Off

→ User selection

Set User → Selection of the designated user of the RDX device

StageManager

FOH

Monitor

Director

etc.

→ Configuration cloning

Clone Config → Clone a configuration file from the network

Configuration File A → Load configuration file A

Configuration File B → Load configuration file B

etc.

Factory Default → Load the factory default configuration file

→ Connection configuration

Connection → Set the type of connection to be used

Local Connection → Use local connection

Remote Connection → Use remote connection

Password → Set the password

Generate password → Generate a new password

Remote Port → Set the remote port to be used

Remote IP → Set the remote IP to be used

Backup

OFF / 0.0.0.1

SndBuf

Default / Small / Normal / Large

RecvBuf

Auto / Small / Normal / Large

Save → Save the current Remote Connection setup

Latency Connection → Use latency connection

Audio

Normal / Compressed

FEC → Set the Forward Error Correction type used

--- / On / Compressed

Latency

Save → Save the current Latency Connection setup

→ Network settings

Dynamic

- ON** → Use a dynamic IP
- OFF** → Use a static IP
 - IP address** → Set the IP address to be used
 - Netmask** → Set the netmask to be used
 - Gateway** → Set the gateway to be used
- Save** → Save the current network setup

→ Device options

Device Options

- Flip** → Selects parts of the display or the entire display to be turned upside down
 - Both** → Flip menu and main screen
 - Menu** → Flip only the setup menu
 - Main** → Flip only the main screen
 - Off** → Do not flip anything
- Scr Saver** → Set the amount of time since the last activity before the display turns off
Range: Always On – 10 sec – 30 sec – 1 min – 10 min – 30 min – 1 hour – 2 hours
- Scr bright** → Set the brightness of the RDX screen / Range: 0 – 15
- LED bright** → Set the brightness of the LEDs / Range: Off – 1 – 2 – 3 – 4 – 5 - 6 – Max

→ Device information

Info → Shows general information about the RDX

SN: xxx → Serial number of the RDX

TD Radio 4a49	→ Firmware information
TD Radio 4a49	→ Firmware version
Aug 2 2017	→ Date of firmware build
17:18:57	→ Time of firmware build

IP: xxx.xxx.xxx.xx → IP address of the RDX

Mac: xx:xx:xx:xx:xx:xx → Mac address of the RDX

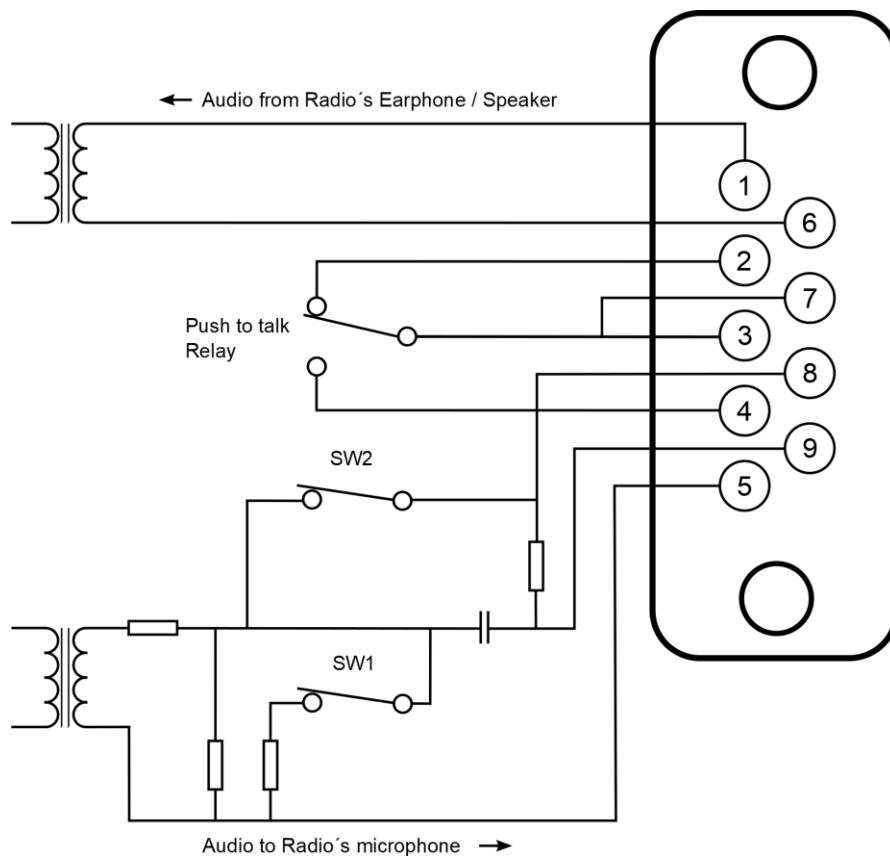
Reset All Settings → Resets all IP, Audio, User and Channel settings.
Pairings are not affected and configuration file is not changed.

Connecting a radio to the RDX

The Green-GO RDX can be connected to a broad range of two-way radios. Using the diagrams below, you can create a connector cable for the radio type that you wish to use. This cable needs to be connected to the D-SUB 9 pin connector located on the back of the RDX.

The RDX is able to provide precise level matching to practically any two-way radio. Upon detection of audio on the Green-GO network by the RDX, a Push-To-Talk relay is activated that takes care of the keying of the radio. A suitable connector cable (detailed below) - together with the relay contacts - makes sure that the transmitter will be properly keyed to a radio.

The diagram below shows the D-SUB 9 connections for linking the Green-GO RDX to a radio base station.



Cable connections

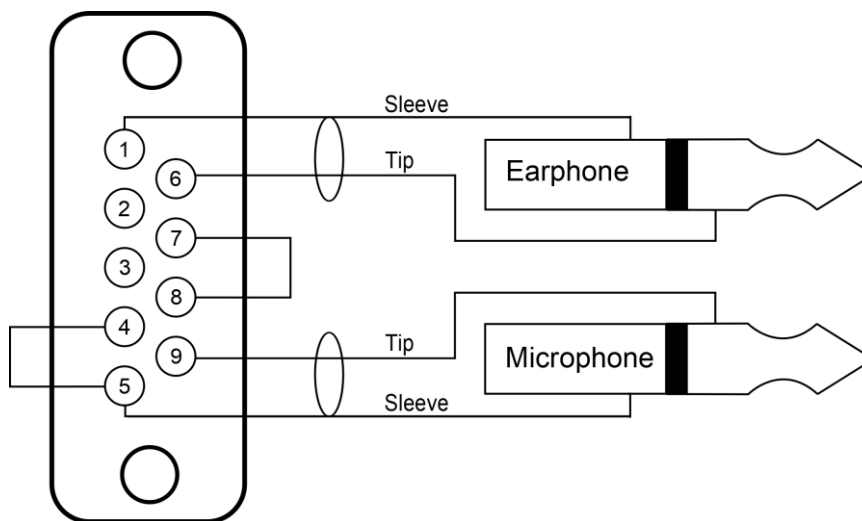
A connector cable is required to connect a (Walkie-Talkie) radio to the RDX. This cable should consist of single conductor shielded wire and should not be longer than 1.5 m to prevent signal loss. The radio base station can be linked to the RDX by attaching molded connectors (obtained from e.g. an external microphone or earphone) to the connector cable. The following diagram illustrates how the cable should be connected to the D-SUB 9 pin connector.

After connecting the cable, the microphone type and level need to be set up. The internal jumpers of the RDX can be configured - according to the three diagrams pictured below - to accommodate specific microphone types.

Because each type of radio has a different way of keying the transmitter, it can be a challenge to correctly key the specific radio you will be using. Knowing which type of external microphone your radio uses helps to verify the correct jumper settings and connector wiring. The diagrams below show the most commonly used setups.

Relay shunting the microphone

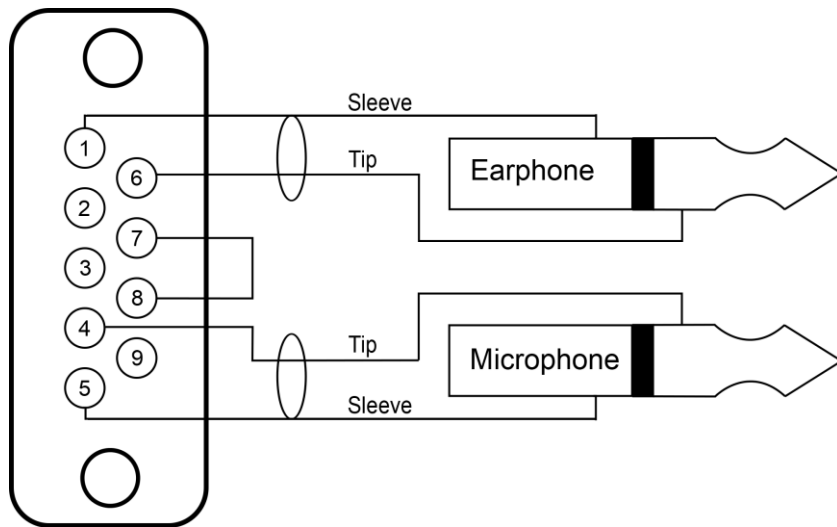
(e.g. Motorola Radius, GP300, SP-50, Sport 7X)



Jumper settings

SW2	off	(DC path for microphone)
SW1	on	(attenuator)

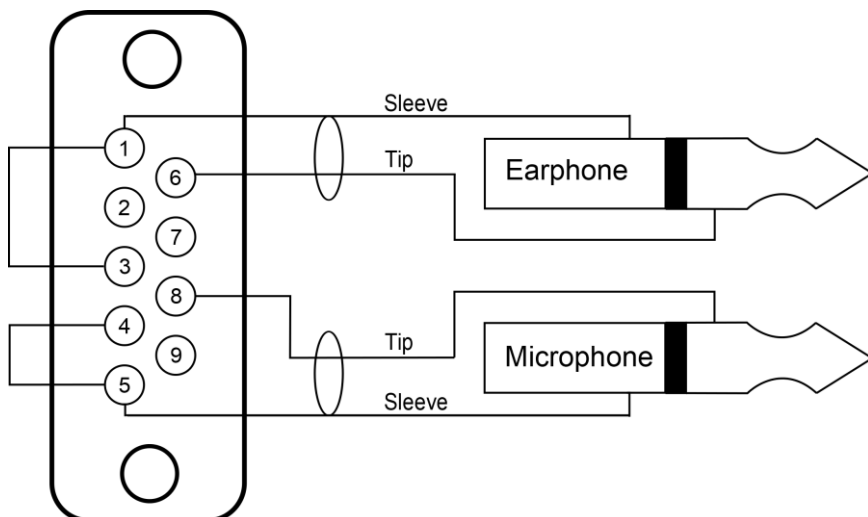
Relay in series with microphone



Jumper settings

SW2 on (DC path for microphone)
SW1 on (attenuator)

Relay across microphone sleeves & earphone connector sleeves (e.g. Uniden SPH, Motorola Radius P-50)



Jumper settings

SW2 on (DC path for microphone)
SW1 on (attenuator)

General safety instructions

Read all instructions - especially the safety requirements - in the user manual before use.

- Keep these instructions - the safety and operating instructions should be retained for future reference. - Carefully follow all instructions.

→ Cleaning

Disconnect all connected supply and signal cables before cleaning the unit. - Clean with a dry cloth. - Do not use any liquid or spray on the unit.

→ Usage

Do not use the unit near water or moisture. - Do not block any ventilation openings, they are necessary for the essential airflow within the unit and protect it against overheating. - Install in accordance with the manufacturer's instructions. – Do not insert any objects through the ventilation slots of the unit, as these could get in contact with live parts or could cause short circuits. This could cause electric shock and / or fire. - Do not install near any heat sources such as radiators, stoves or other apparatus (including amplifiers) that produce heat. - Unplug this apparatus during lightning storms or when unused for long periods of time. Do not place the unit on unstable surfaces

→ Service

Refer all servicing to qualified service personnel. Servicing is required when the apparatus has been damaged in any way, such as power-supply cord or plug is damaged, liquid has been spilled or objects have fallen into the apparatus, the apparatus has been exposed to rain or moisture, does not operate normally, or has been dropped. In all of the previous conditions, disconnect the main plug immediately and call your distributor or technical support!

→ WARNING

TO REDUCE THE RISK OF FIRE OR ELECTRIC SHOCK, DO NOT EXPOSE THIS PRODUCT TO RAIN OR MOISTURE

Declaration of Conformity

We,

Manufacturers name: ELC lighting b.v.

Manufacturers address: Weerijds 8
5422 WV Gemert
the Netherlands

Herewith take the full responsibility to confirm that the product

Product Category: Communication equipment

Name of product: GGO-RDX

Which refer to this declaration are manufactured in the Netherlands and complies with the following product specifications and harmonized standards:

Safety: LVD (Low Voltage Directive) 2014/35/EU, EN62368-1

EMC: 2014/30/EG, EN55032

ROHS (II): 2011/65/EU

With the presumption that the equipment is used and connected according to the manual, supplied with the equipment. All signal input- and output connections must be shielded and the shielding must be connected to the ground of the corresponding plug.

Gemert, February 16, 2018

ing. Joost van Eenbergen

