



BREEZY EV LLC

OWNER'S MANUAL



**FOR MODELS:
BREEZE SERIES / SIERA SERIES / TERRAIN SERIES**

Welcome to BREEZY

Thank you for choosing BREEZY. We are committed to delivering high-quality, reliable golf cars designed for performance and ease of use. Whether for recreation, transportation, or work, your BREEZY vehicle is built to provide a smooth and enjoyable ride.

This manual contains important information on **safe operation, maintenance, and troubleshooting**. Please read it carefully before using your vehicle to ensure optimal performance and longevity. **Failure to follow proper procedures may result in safety hazards or damage to the vehicle.**

Your Breezy golf car is **not intended for highway use** and must be operated in accordance with local, state, and federal regulations. Always follow the safety guidelines outlined in this manual.

Keep this manual for future reference. For service, warranty information, or assistance, please contact an **authorized BREEZY dealer** or visit our official website.

We appreciate your trust in BREEZY EV LLC and hope you enjoy your new vehicle.

BREEZY EV LLC.

CONTENTS

SAFETY INFORMATION

Safety Details.....	2
Warranty & Label Info.....	3
Lithium Battery Safety.....	4
Lithium – Ion Battery Recycling.....	5

VEHICLE FEATURES

Vehicle Overview.....	6
Dashboard Overview.....	7
<hr/>	
Pre – Operations.....	8-12
Operations.....	13-17
Lithium Battery.....	18
Tire.....	19
Lifting Spots.....	20
Maintenance.....	21-24
Storage.....	25
How To Tow Golf Cart ?.....	26

Read carefully all the safety statements before attempting any procedure.

This service manual must be thoroughly read before attempting any vehicle maintenance. Not following the instructions in this manual could lead to property damage, serious injury, or even death.

 **DANGER**

 **WARNING**

 **CAUTION**

This manual and the safety decals on the vehicle use specific signal words: **DANGER, WARNING, CAUTION, and NOTICE**. These terms indicate important safety messages that must be read, understood, and followed before operating the vehicle. Adhering to these precautions is essential for safe operation.

Ensure all safety decals remain visible and intact. If any safety decals are missing, damaged, or unreadable, they must be replaced immediately to prevent potential injury, property damage, or fatal accidents. Replacement decals are available from your authorized dealer or distributor.

Familiarize yourself with all local, state, and federal regulations regarding vehicle operation. Compliance with these laws ensures both safety and legal operation.

For any questions regarding the content of this manual or the vehicle itself, contact your authorized dealer or distributor for assistance.

- Slow down whenever driving on rough terrain or in challenging conditions.
- Use the brakes to manage speed on steep hills and slopes.
- Keep a safe distance from nearby vehicles.
- Reduce speed on wet or icy roads.
- Be cautious when approaching sharp or blind turns.
- Exercise extra care in areas where pedestrians are present.

WARRANTY & LABEL INFO

Read carefully all the safety statements before attempting any procedure.

HOW TO MAKE A WARRANTY CLAIM

To make a warranty claim under this limited warranty, you must present the vehicle or defective component with evidence of proof of purchase date to an authorized Breezy EV LLC dealer. For warranty-related communication, contact your sales.

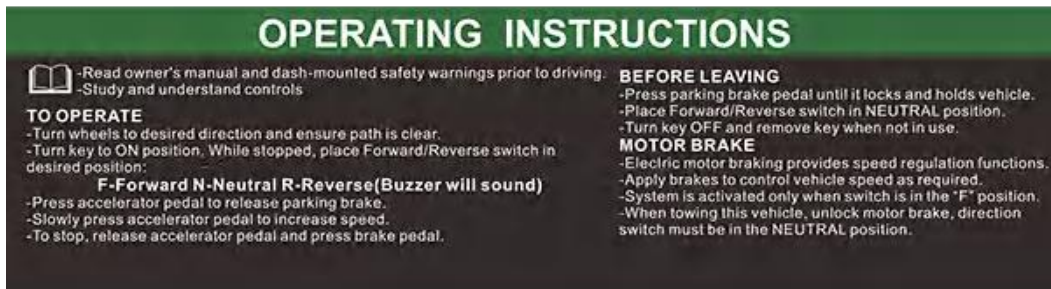
CONTACT INFORMATION

Website: <https://breezyev.com>

Email: info@breezyev.com

Address: Carrollton, TX

VEHICLE SAFETY LABELS



Operation Instruction Decal



Dash Warning Decal

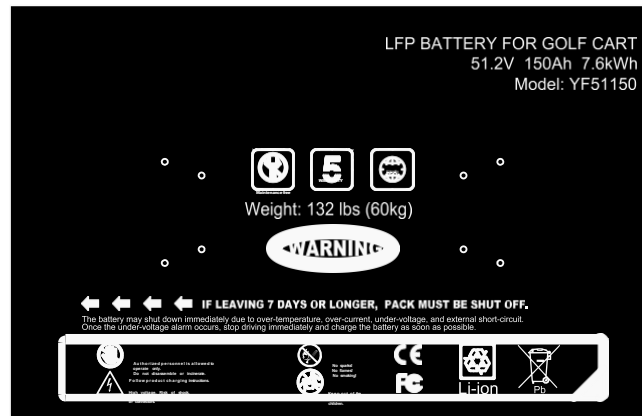
Take the time to grasp the principles of safety. This understanding could be crucial for your well-being.

LITHIUM BATTERY SAFETY









Read carefully all the safety statements before attempting any procedure.

BATTERY SAFETY INFORMATION

Carefully read and follow all instructions on the labels to minimize potential risks or injuries. If any of the labels shown below become damaged, detached, or illegible, contact your **authorized BREEZY dealer** for replacements. Replacement labels are printed on the battery or can be obtained from your dealer.



Battery Warning Decal

	While working on a li-ion battery wear protective eyeglasses and clothing
	Explosion and fire hazard. The terminals of a li-ion battery are always live, therefore do not place metallic items or tools on top of a li-ion battery. Avoid short circuits.
	Explosion and fire hazard. The terminals of a li-ion battery are always live, therefore do not place metallic items or tools on top of a li-ion battery. Avoid short circuits.
	Batteries must not be mixed with domestic or industrial waste .
	Do not open or dismantle the battery. Electrolyte is very corrosive. If the battery casing is damaged do not touch the exposed electrolyte or powder because it is corrosive.
	Do not touch any electrical components without any insulation protection.
	Batteries marked with the recycling symbol must be processed via a recognized recycling agency.
	Observe these instructions and keep them located near the battery for future. Read, understand and comply with all warning and instructions.

LITHIUM – Ion BATTERY RECYCLING

Read carefully all the safety statements before attempting any procedure.



- Lithium -ion batteries are recyclable.
- Lithium-ion batteries must be collected and recycled separately from other waste.
- Do not discard lithium-ion batteries as municipal waste.
- Speak with your dealer or distributor on returning or recycling used or damaged battery packs.
- Contact local or state environmental department for disposal information.



WARNING

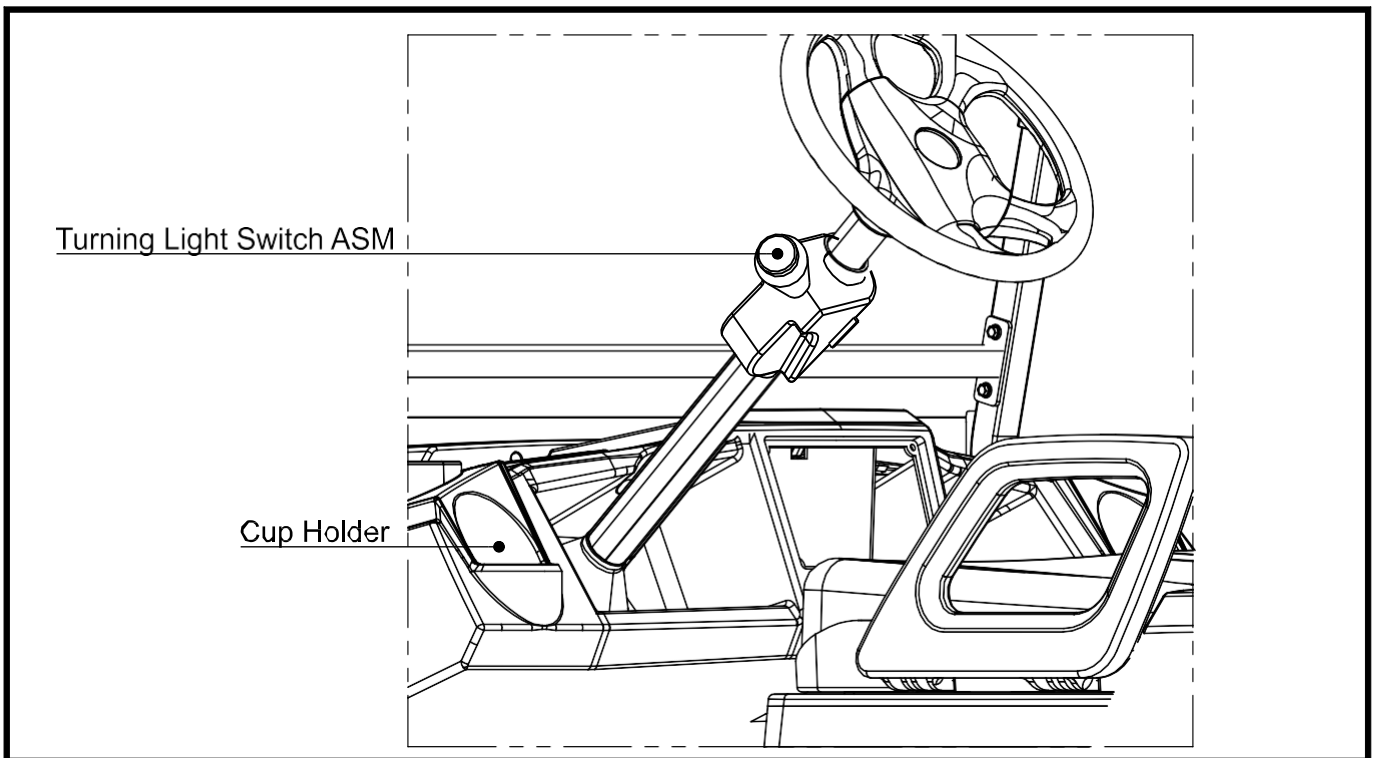
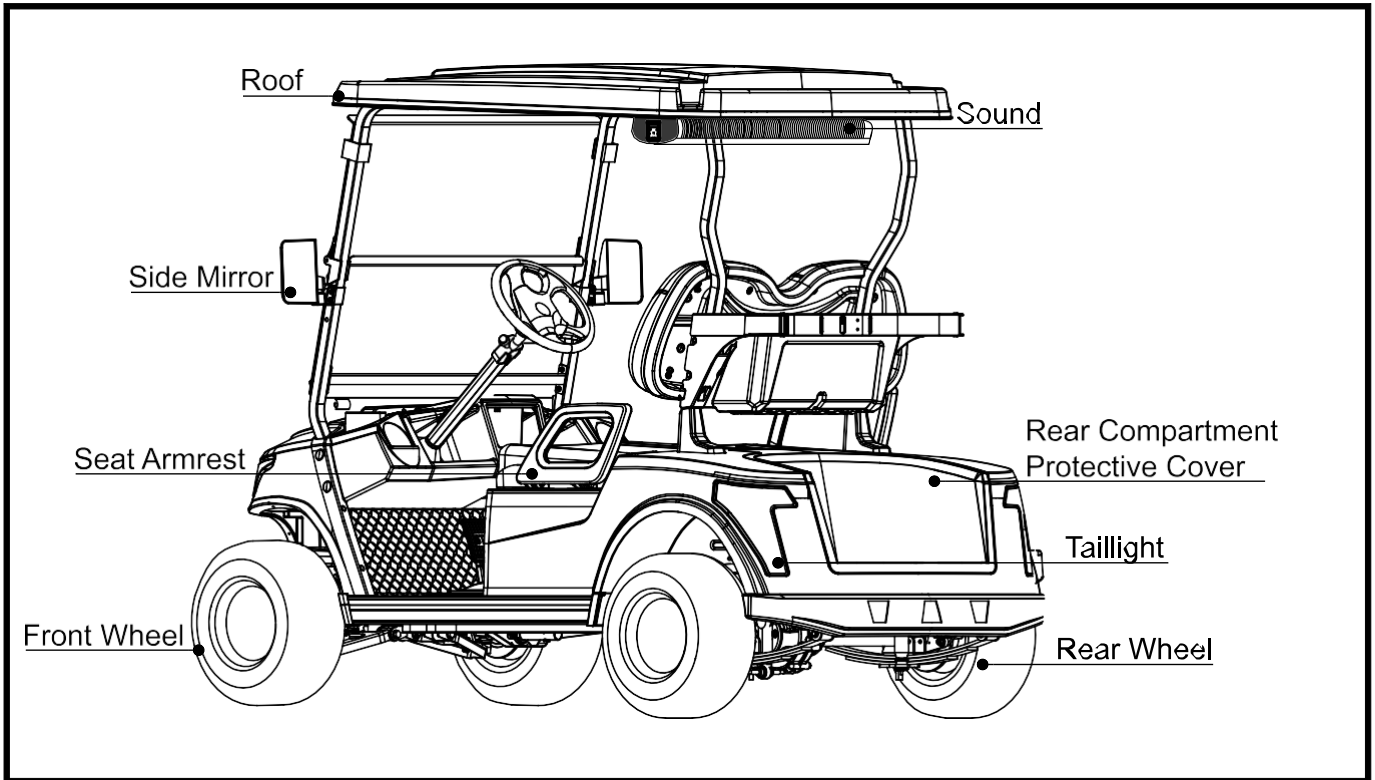
Safe Vehicle Operation

Failure to follow instructions may result in **collision, loss of control, or rollover**, causing serious injury or death. Always read and comply with all **safety warnings and labels** before operating the vehicle.

- Operate responsibly and keep the vehicle in **safe condition**.
- Keep **both hands** on the steering wheel and **both feet** on the floor or pedals.
- **Inspect the vehicle daily** and follow maintenance guidelines.
- If involved in an accident, have the vehicle **checked by an authorized dealer**.
- Remove the **key when not in use** to prevent unauthorized operation.
- Adjust speed based on **terrain and conditions**.
- Avoid **steep hills**; drive straight up or down, not across.
- Operate only in **approved areas** and follow all **safety regulations**.

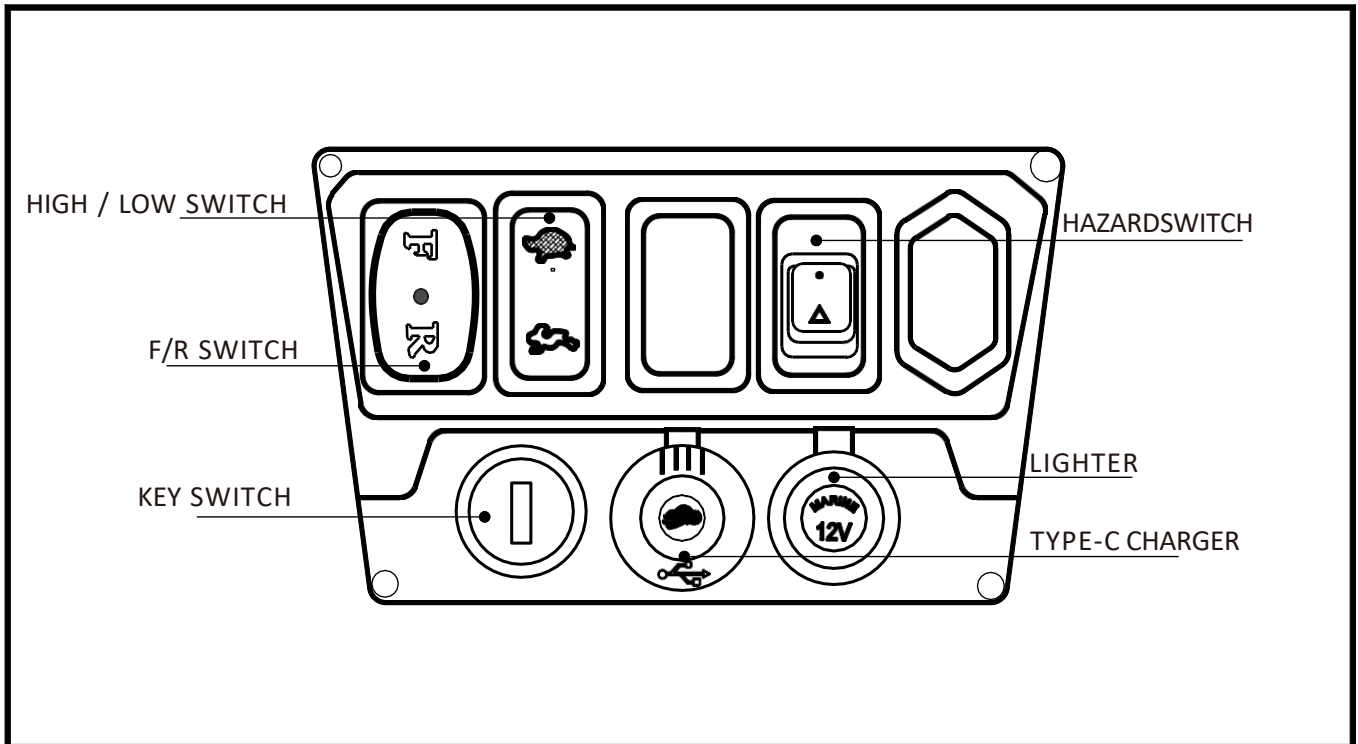
VEHICLE OVERVIEW

Read carefully all the safety statements before attempting any procedure.

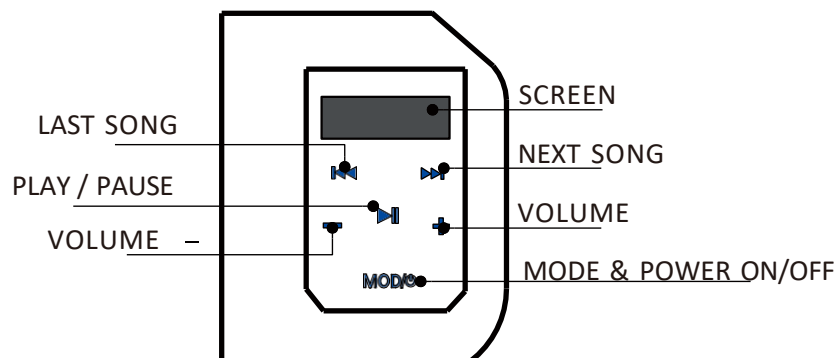


DASHBOARD OVERVIEW

Read carefully all the safety statements before attempting any procedure.



SOUND BAR



Operation instructions: After starting the vehicle, Bluetooth audio is automatically enabled. You can connect via Bluetooth, insert a USB drive, or use AUX input, offering three playback modes. To switch modes, press the MOD/POWER button; long press to turn off the system. Bluetooth audio playback can be controlled via the cell phone, display screen, or Bluetooth audio panel.

Read carefully all the safety statements before attempting any procedure.

DANGER

- Ensure all occupants are fully seated before starting the vehicle.
- Avoid areas with falling objects, as they pose a risk of serious injury or death.
- Do not allow passengers to hold children on their laps or ride in a trailer.

WARNING

- Avoid steep slopes, unstable surfaces, and drop-offs to prevent accidents.
- Prevent sudden starts, stops, and sharp turns to reduce risk of rollovers or loss of control.
- Maintain the vehicle properly to prevent fire, property damage, or injury.
- Ensure passengers remain seated and hold onto handrails when the vehicle is in motion.
- This vehicle is not designed for child safety seats. Children requiring one must not ride.
- Always comply with local and state laws regarding vehicle operation.

CAUTION

- Only operate the vehicle from the driver's seat in designated areas.
- Authorized drivers only; follow all local and state laws.
- Use caution in areas with higher-speed vehicles, congestion, or rough terrain.

PRE - OPERATIONS

Read carefully all the safety statements before attempting any procedure.

PRE-OPERATION SAFETY AND PERFORMANCE INSPECTION

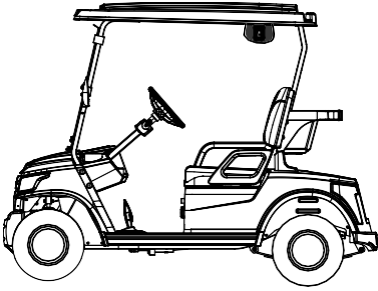
Before operation, use the **pre-operation checklist** to inspect the vehicle's condition and performance. If the vehicle is not in proper working order, **remove it from use immediately** to prevent further damage or injury. For maintenance and repairs, contact your **authorized dealer**.

PRE-OPERATION CHECKLIST

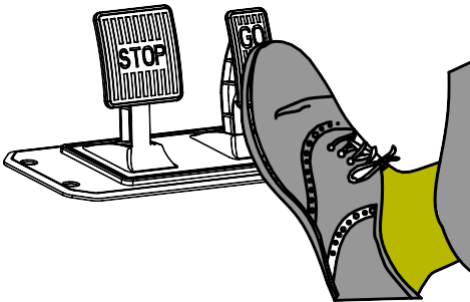
INSPECTION ITEMS	INSPECTION PROCEDURES
BATTERY	Ensure the batteries are fully charged before use. Replace any damaged or defective components during inspection.
BRAKE	Press the brake pedal—it should be flexible and responsive. It must return to its original position smoothly when released.
ACCELERATOR PEDAL	Press the accelerator pedal—it should return to its original position with full flexibility when released.
TIRES	Check tire pressure (around 20 psi). Inspect for cracks, embedded objects, or other damage that could lead to failure. Replace defective tires immediately.
STEERING	Move the steering wheel up and down to check tightness. Rotate it left and right—there should be no excessive free play or rattling noise.
REVERSER WARNING BEEPER	Shift the direction selector to "R" (Reverse)—the beeper should sound clearly.
LIGHTS	Inspect signal lights, brake lights, and turn lights to ensure they are functioning properly..

Read carefully all the safety statements before attempting any procedure.

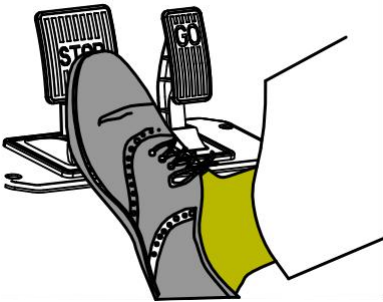
PRE-OPERATION SAFETY AND PERFORMANCE INSPECTION



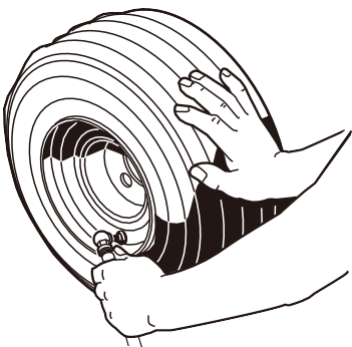
- Before using the vehicle, ensure the batteries are fully charged.



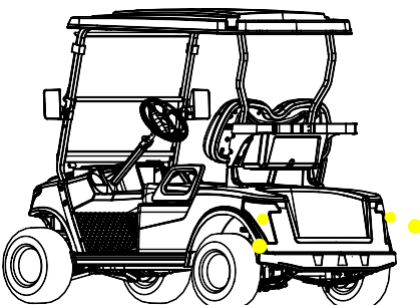
- Check the accelerator pedal – When pressed and released, it should return smoothly to its original position with full flexibility.



- Check the brake pedal – It should feel firm yet flexible when pressed and return smoothly when released.



- Check the tire pressure – Inflate to approximately 20 PSI (138 kPa) and ensure there are no visible damages.

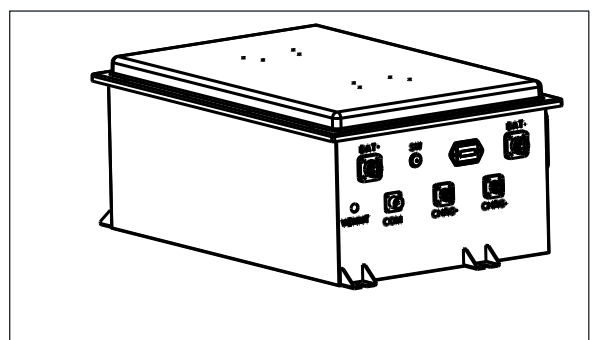
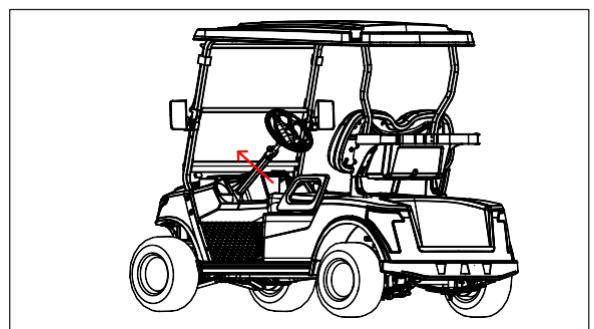
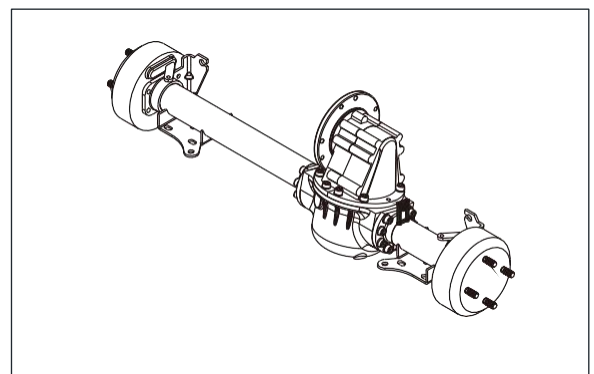
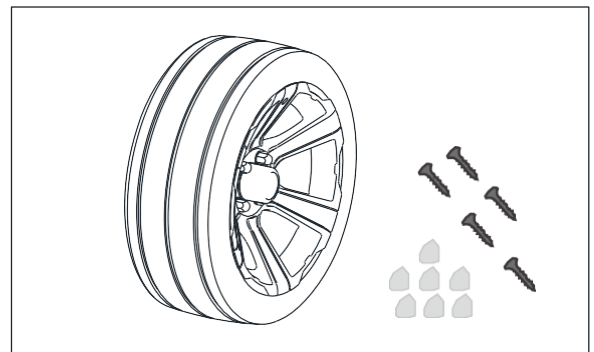
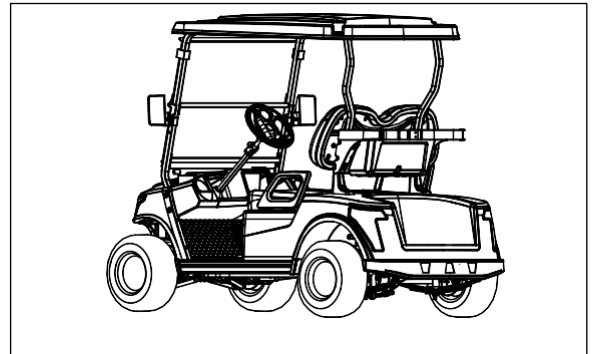


- Check the lights – Ensure signal lights, brake lights, and turn lights are functioning properly.

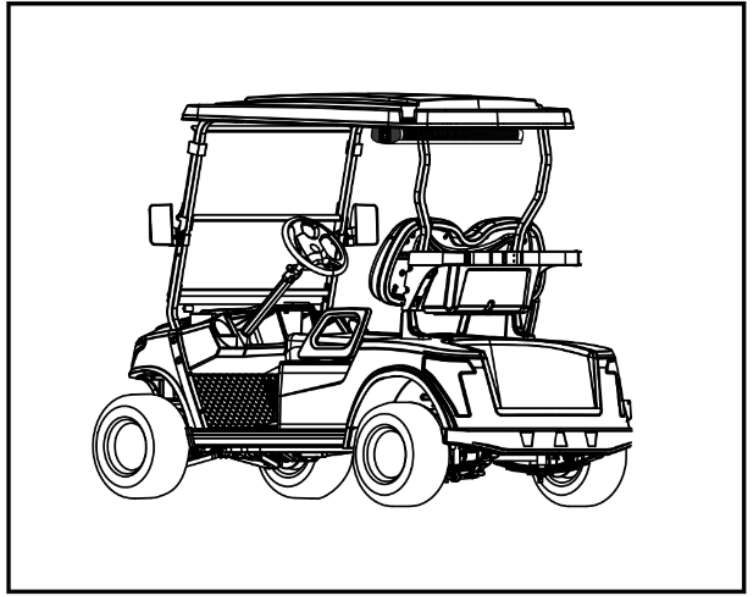
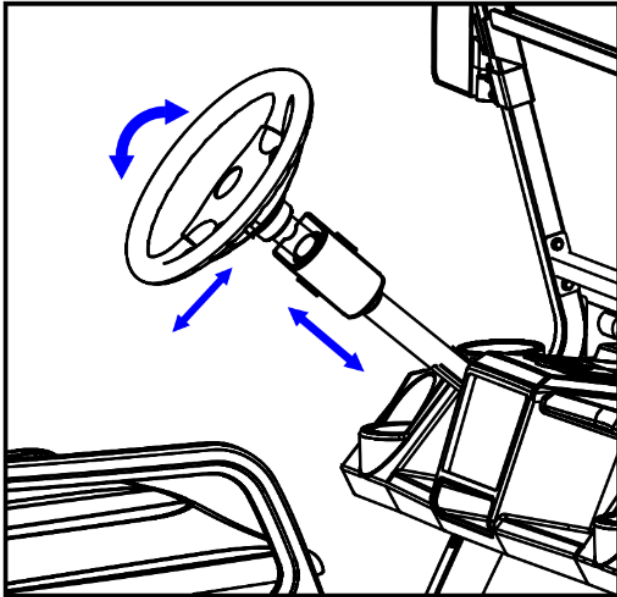
PRE - OPERATIONS

Read carefully all the safety statements before attempting any procedure.

- Check the reverse beeper – When the direction selector is set to "R" (Reverse), it should beep clearly.
- Inspect the tire surface – Remove any embedded objects and check for cracks or damage. Defective tires can cause accidents while driving.
- Check the rear axle lubricant – Insert a clean dipstick, then remove it to check the oil level (approx. 0.8L).
- Check the steering – Move the wheel up/down for tightness and left/right for excessive play or noise.
- Check the battery cables – Ensure all nuts are securely tightened. Loose nuts can cause sparks and pose a safety risk during operation.



Read carefully all the safety statements before attempting any procedure.



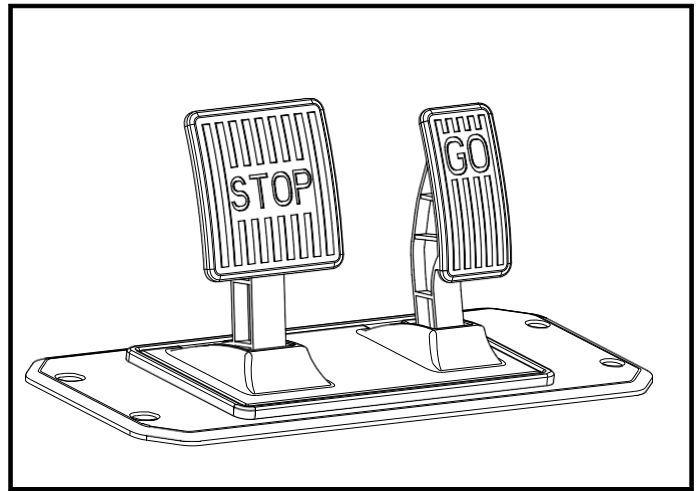
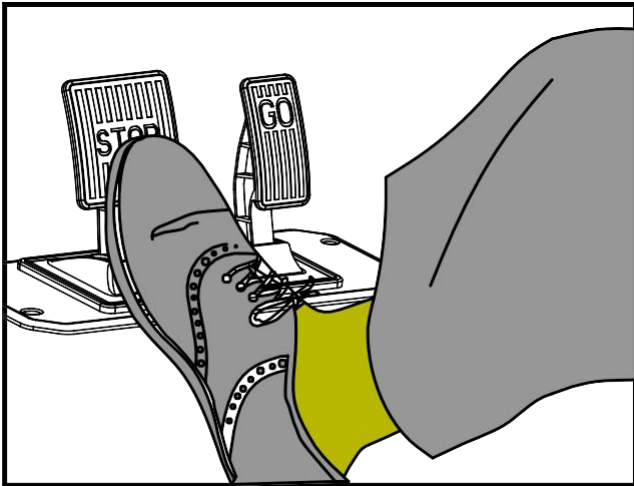
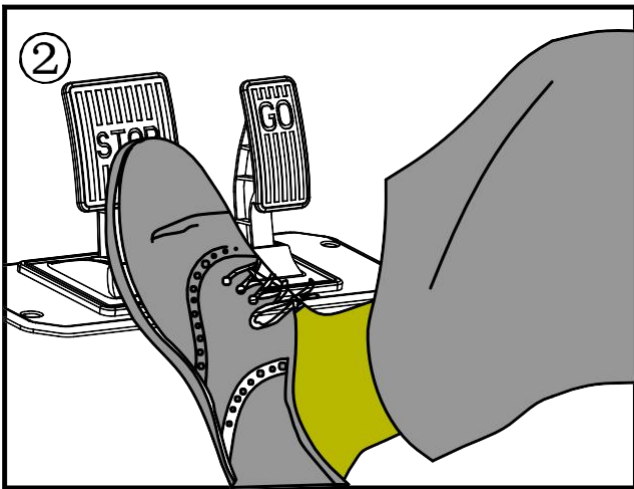
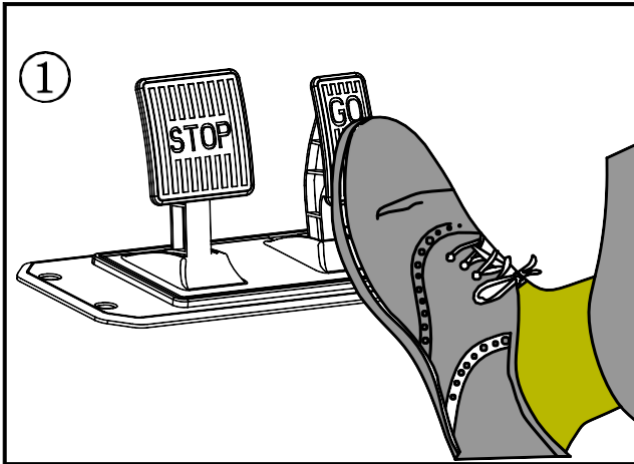
- **Steering System** - Check tightness by moving the wheel **up/down** and **left/right**. Ensure there is **no excessive play or rattling noise**.
- **Parking System** - This vehicle has an **automatic parking device** that activates **after 3 seconds of stopping**.

WARNING

Pre-operation inspection is crucial for passenger safety.

OPERATIONS

Read carefully all the safety statements before attempting any procedure.



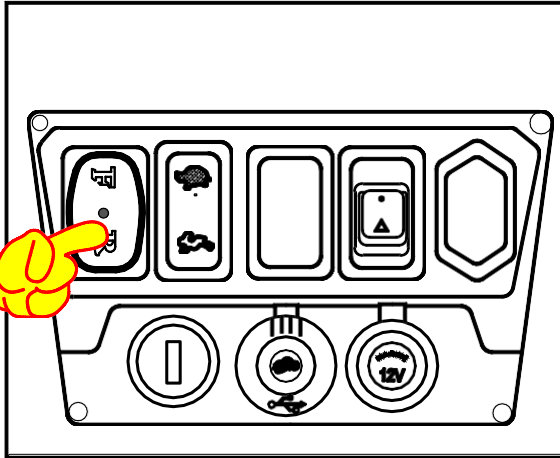
- ① Press the accelerator pedal to control the vehicle's speed.
- ② Press the brake pedal to slow down or stop.
- ③ Engage the parking pedal to keep the vehicle stationary.

WARNING

Switching gears while pressing the accelerator pedal may cause electrical failure. Always shift gears before pressing the accelerator.

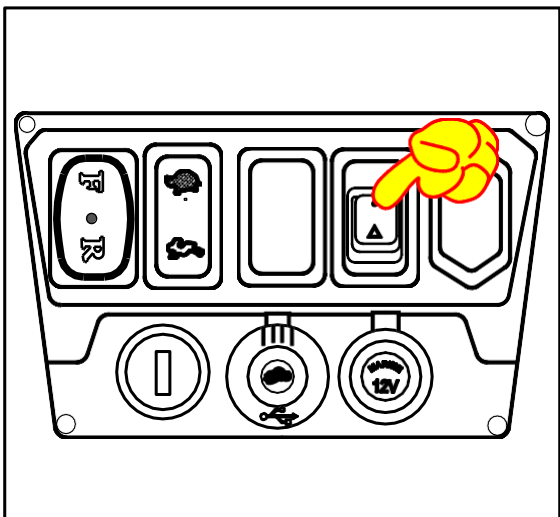
Read carefully all the safety statements before attempting any procedure.

Key Switch & Indicator Light



Front and Rear Gear Switch

Use the direction selector switch to change the vehicle's driving direction.



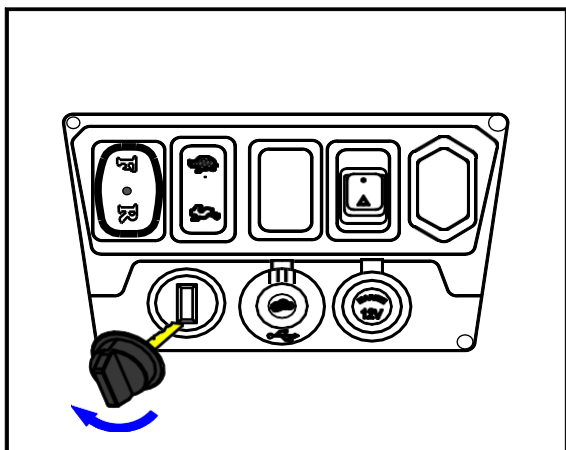
Emergency Switch

Activates a warning signal to alert other vehicles and pedestrians. Press up to turn on, press down to turn off.

CAUTION

Stop the cart before switching gears to prevent contactor damage or gear switch failure.

Key Switch



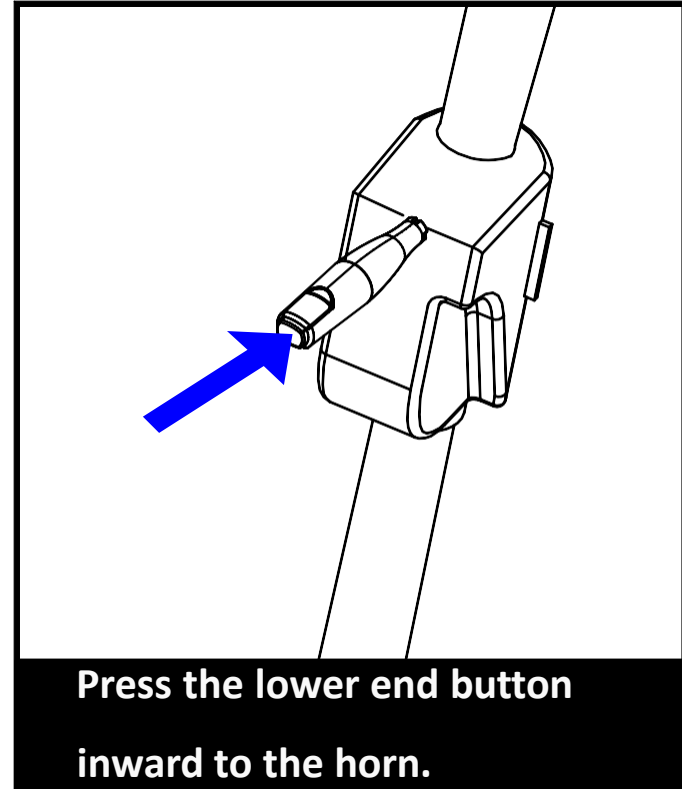
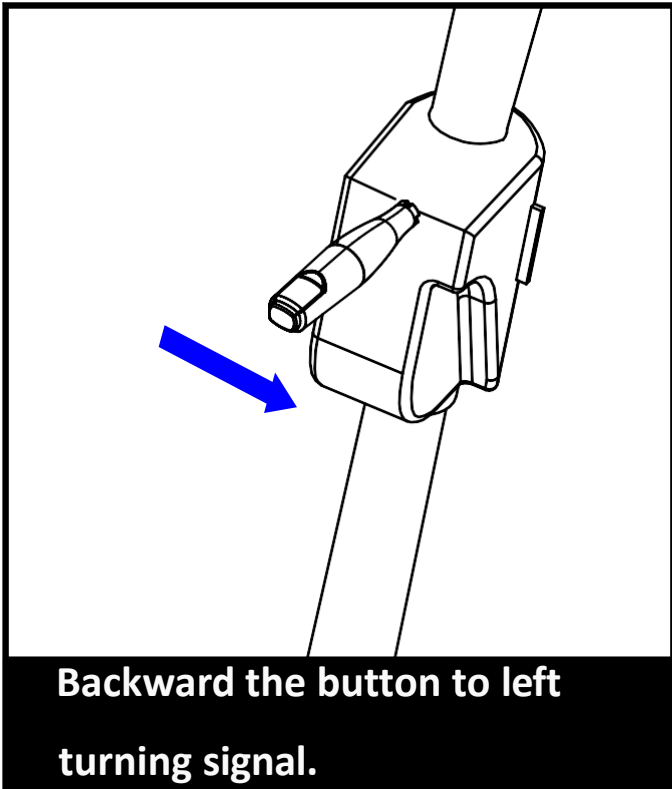
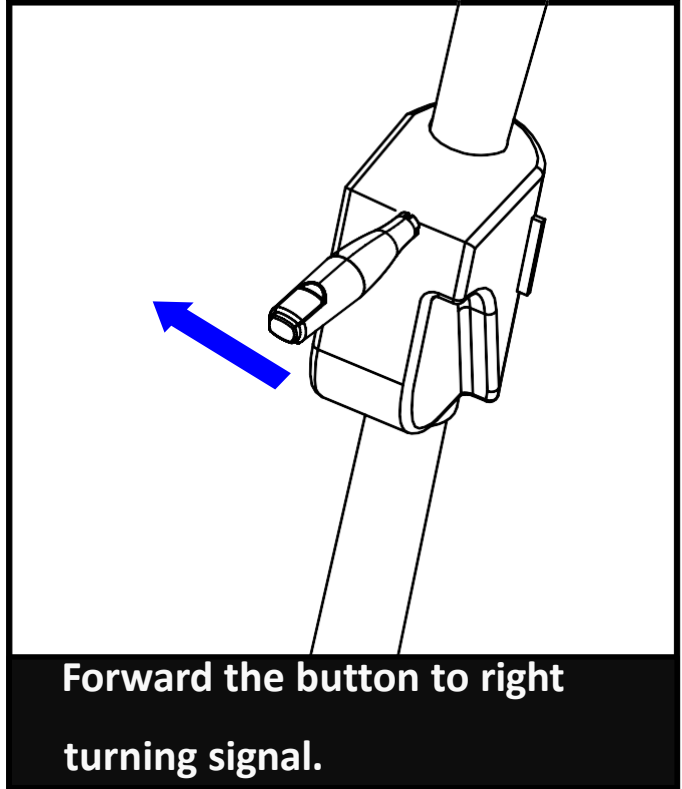
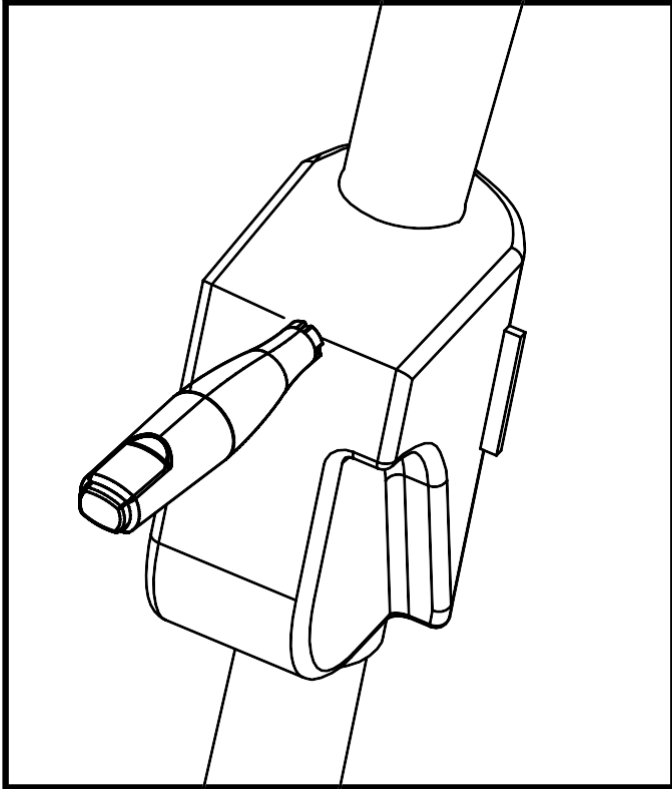
Starting the Cart (Lithium Battery)

Turn the key clockwise to activate the battery power system, then continue turning to start the cart system.

OPERATIONS

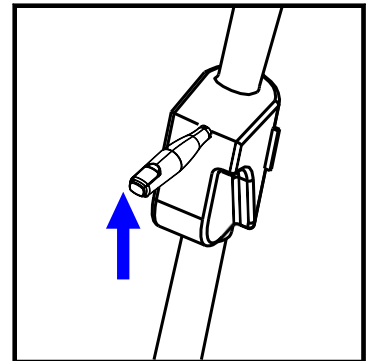
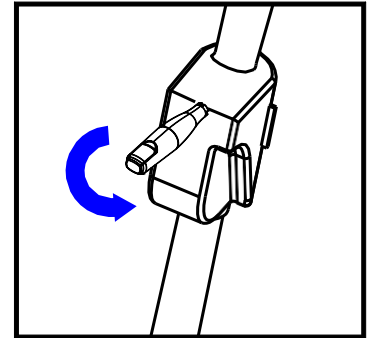
Read carefully all the safety statements before attempting any procedure.

Turning Light Switch ASM



Read carefully all the safety statements before attempting any procedure.

Turning Light Switch ASM



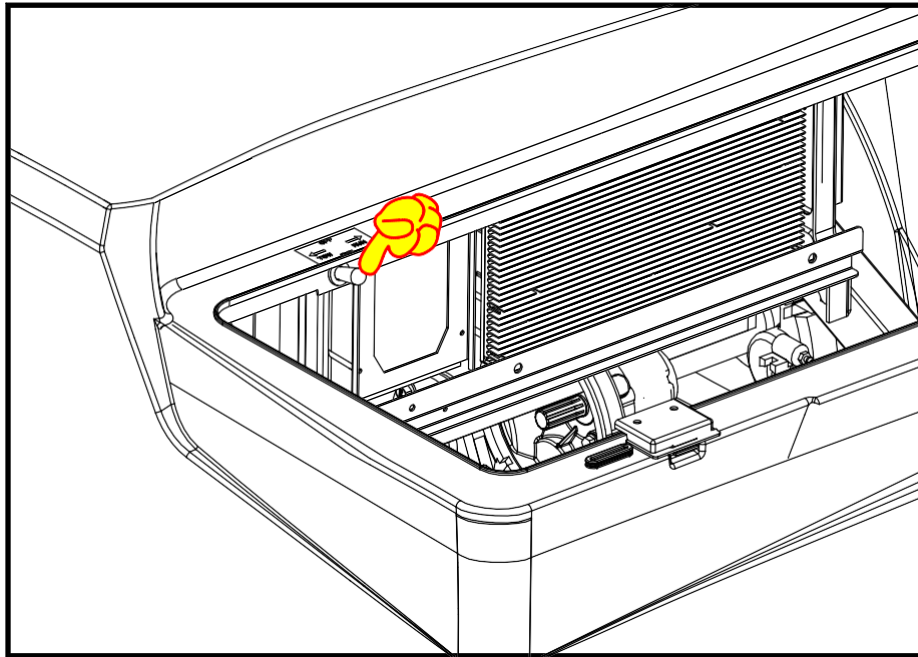
- ① Automatic Low Beam
- ② Headlight Switch
- ③ Daytime Running Light
- ④ Horn

When the low beam is on for an extended period, flip the handle upward. If you hear a "click" sound, it means the high beam is activated. When the high beam is on, flip the handle upward again. If you hear a "click" sound, it means the low beam is activated.

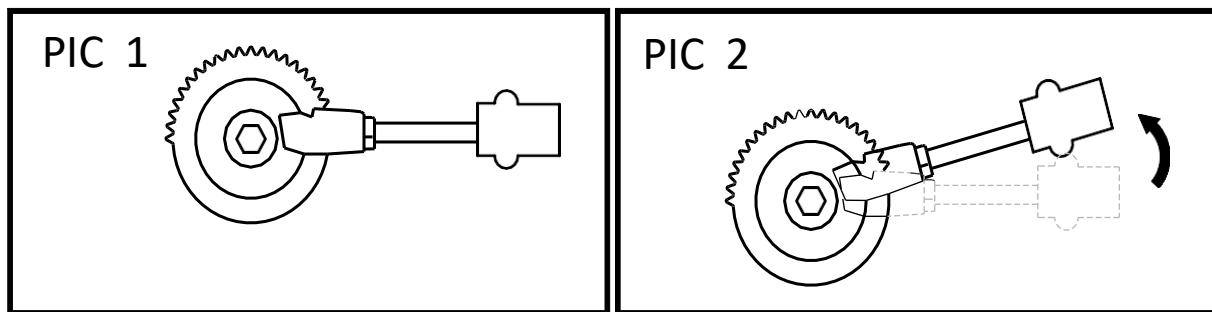
OPERATIONS

Read carefully all the safety statements before attempting any procedure.

TOW/RUN Switch



EM BRAKE



Lift here to tow the cart when the lithium battery is out of power.

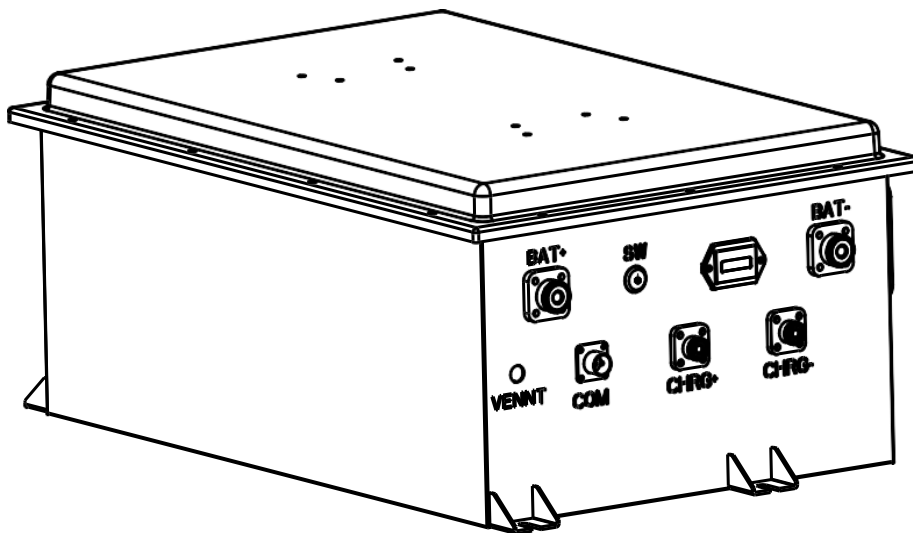
Read carefully all the safety statements before attempting any procedure.

The lithium iron phosphate battery (LiFePO_4 or LFP) is among the safest and most reliable lithium battery types.

A 48V battery pack consists of 16 cells (each with a nominal voltage of 3.2V) connected in series.

- Durable and stable, capable of long-term use in deficit mode
- High round-trip efficiency
- High energy density with reduced weight and volume
- Supports fast charging and discharging
- Flexible charging voltage range

The battery has built-in Bluetooth and connects to the BMS app. The app allows users to monitor battery status, receive alerts, and access other battery information.



WARNING

To reduce the risk of electric shock, ensure the charger plug is not damaged. The power AC cord includes a ground post — **do not move, cut, or bend it.**

- Check the AC power cord and cable for damage. If damaged, replace immediately.
- Fully insert the AC charging handle into the vehicle's charging port.
- Plug the power cord into a grounded AC outlet.
- The charger will start automatically within a few seconds.
- Charging stops automatically once the batteries are fully charged.
- Disconnect the AC power cord before operating the vehicle.

TIRE

Read carefully all the safety statements before attempting any procedure.

TIRE OPERATION

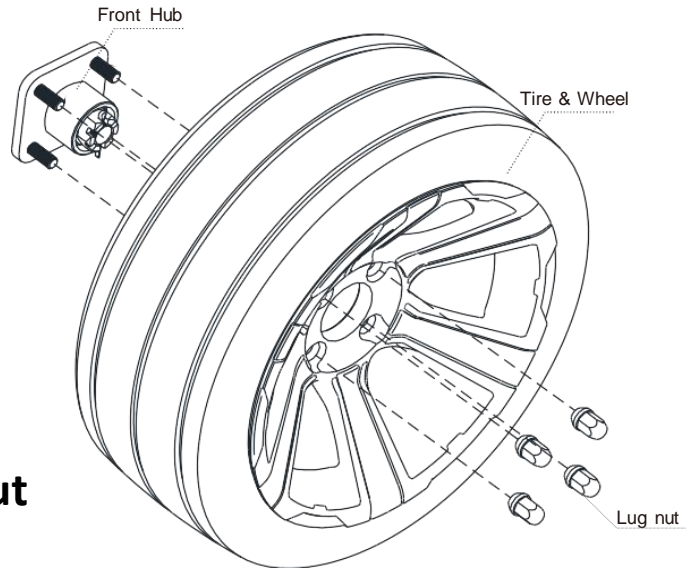
⚠ WARNING

- Do not overinflate the tires. Excess pressure may cause a blowout.
- Inflate slowly in small amounts to properly seat the tire beads.
- Overinflation of small tires can lead to sudden explosion.
- Wear eye protection when removing the valve core.
- Only use impact-rated sockets to avoid injury.
- Do not use tires with pressure ratings below the recommended level.

NOTICE

Always use a cross-pattern when tightening lug nuts to ensure the wheel is evenly seated against the hub.

Tool	Qty
Lug Wrench M19	1
Impact Wrench	1
Impact Socket M19	1
Torque Wrench	1



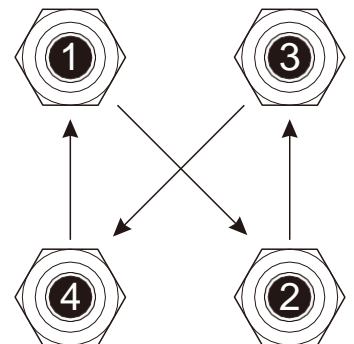
Recommended tire pressure is 20 psi but may be adjusted based on terrain.

Ensure all four tires have the same pressure for best control. Always replace the valve cap after checking or inflating the tires.

Use a tire plug to repair small tread punctures. For large holes or cuts, replace the entire tire.

Wheel Installation:

- Install the wheel with the valve stem facing outward.
- Hand-tighten lug nuts in a cross pattern.
- Torque the nuts to 50–85 ft.lbs.
- Continue tightening in the cross pattern until proper torque is reached.



Cross Sequence

Read carefully all the safety statements before attempting any procedure.

LIFT AND LOWER THE VEHICLE

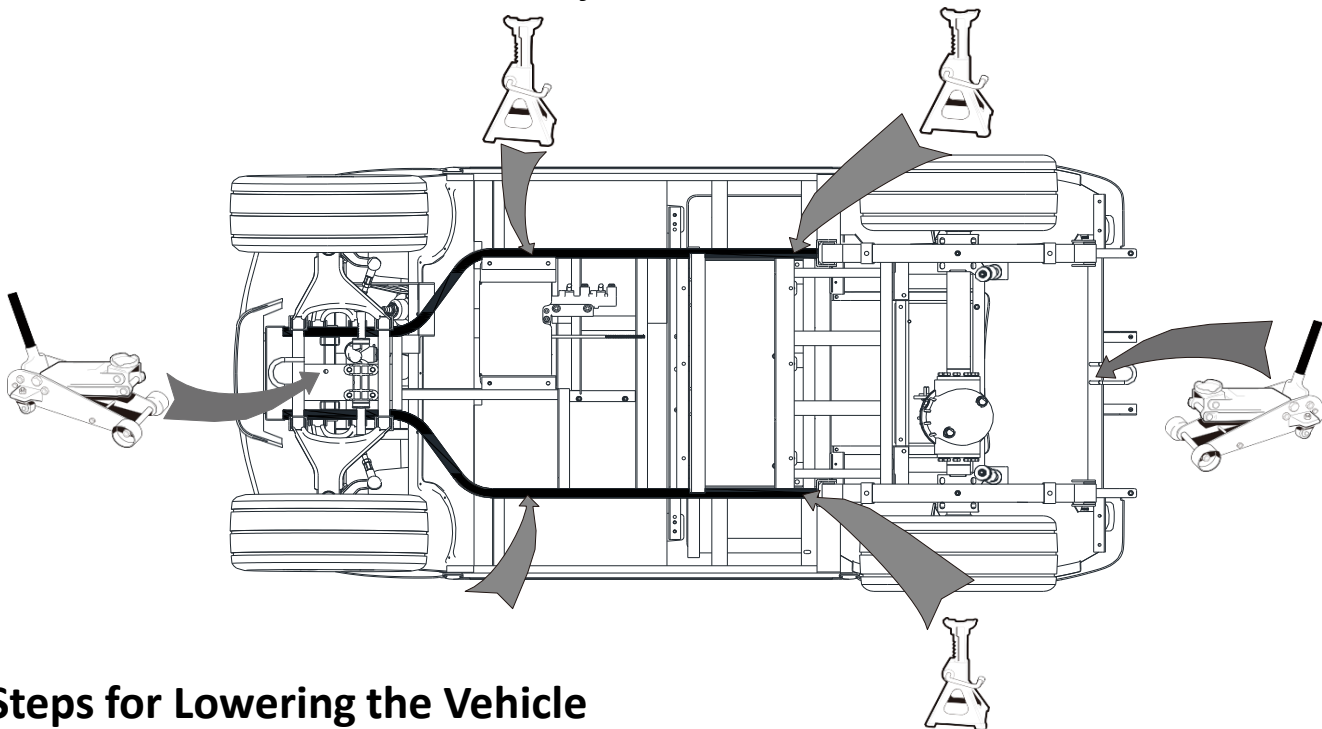
⚠ WARNING

Lifting or lowering the vehicle with cargo or passengers may cause damage, serious injury, or death.

Remove all cargo and ensure no one is inside the vehicle before lifting.

Steps for Lifting the Vehicle:

- Turn off the vehicle's key switch.
- Use jacks and jack stands rated for this vehicle.
- Engage the parking brake.
- Position the jack at the designated lift point.
- Raise the front and rear of the vehicle.
- Place jack stands under the frame rails.
- Lower the vehicle onto the jack stands.



Steps for Lowering the Vehicle

- Turn off the vehicle's key switch.
- Use jacks and jack stands rated for this vehicle.
- Position the jack at the lift point.
- Lift the vehicle off the jack stands.
- Remove the jack stands from under the frame rails.
- Lower the vehicle to the ground.
- Remove the jacks.

MAINTENANCE

Read carefully all the safety statements before attempting any procedure.

VEHICLE MAINTENANCE

WARNING

Unintended vehicle operation can cause serious injury or death.

Always disable the vehicle before leaving it or performing maintenance.

Only trained technicians should service the vehicle. Even basic repairs require knowledge of electrical and mechanical systems. Always follow proper service instructions.

Improper maintenance or skipped repairs can reduce performance and may cause fire, injury, or death. If issues are found during inspection, do not operate the vehicle until repairs are complete.

DO NOT:

- Work on the powertrain while the vehicle is loaded
- Wear loose clothing or jewelry when servicing the vehicle or charger
- Use the lifting device to hold the vehicle in place

ALWAYS:

- Lift only one end at a time with a device rated at 1000 lb (454 kg) or more
- Use proper jack stands and chock the remaining wheels
- Ensure all wires and harnesses are correctly routed and secured. Improper wiring may cause malfunction, injury, or fire

CAUTION

- Wear safety glasses or approved eye protection when servicing the vehicle.
- Use rubber gloves when working near the battery.

Read carefully all the safety statements before attempting any procedure.

VEHICLE SCHEDULED MAINTENANCE CHART

Regular maintenance is required for the best performance and safe operation of the electric vehicle . Periodic maintenance need to perform accordingly .						
1D-per day 1W-per week 1M-per month 1Q-per quarter 1Y-per year						
Item	Descriptions	1D	1W	1M	1Q	1Y
Battery	1.Check the liquid level .Add distilled water in necessary . (Lead-acid battery only)		v			
	2.Charge the battery .	v				
	3.Tighten the nut on the battery cable .	v				
	4. Fasten the nut of the battery electrode .		v			
	5.Check whether the battery is over-charged .	v				
	6.Check the liquid density of the battery .		v			
	7.Check whether the battery is fully charged .	v				
	8.Clean the surface of battery .		v			
Charger	9.Observe the charging status, check if the charger plug becomes hot.	v				
	10.Clean the surface of charger . Do not let water enter into charger .		v			
Motor and controller	11.Check whether all terminals are tightened properly(Turn off the power).			v		
	12.Clean the surface of the controller.				v	
	13.Check whether the solenoid is in order, checking the touching point.					v
	14.Check whether there is water get into motor.	v				
	15.Check whether all the connectors of motor & controller are tightened		v			
	16. Check whether the accelerator pedal works well .	v				
Chassis and body	17.Check whether the brake pedal is firm and can be released freely .			v		
	18.Check whether the brake drum and brake shoe need to be replaced or not				v	
	19.Check the hand break function.			v		
	20.Check the break liquid tank liquid level .			v		
	21.Check tire pressure and tire surface .		v			
	22.Check Whether the shock is leaking or not .			v		
	23.Fasten the bolt of shaft .			v		
	24.Check whether there is sufficient oil inside of rear axle gear box .				v	
	25.Add grease to front hub and steering gear box .				v	
	26. Adjust the front and rear suspension .				v	
	27.Clean the body and seat .	v				

NOTICE

Follow a more frequent maintenance schedule for vehicles used under heavy load or severe conditions.

MAINTENANCE

Read carefully all the safety statements before attempting any procedure.



Headlight

The LED headlight is waterproof. Check if the wiring harness rubber plug is detached or if the housing is damaged.

⚠ CAUTION

Do not connect LED lights to high voltage sources.



Controller

Keep the controller dry. Water may cause a short circuit.

If water enters the controller, the vehicle may start unintentionally when the power switch is turned on.



Brake Oil Tank

Check the brake fluid level. If it is below halfway, add brake fluid promptly.

Read carefully all the safety statements before attempting any procedure.

Conclusion

- ✓ Follow the manufacturer's scheduled maintenance plan to service the vehicle regularly.
- ✓ Ensure that maintenance is carried out by trained and qualified personnel.
- ✓ Always follow the manufacturer's maintenance procedures and **disable the vehicle** before starting any work.
- ✓ Before maintenance, remove the key from the ignition switch and disconnect the battery cables.
- ✓ Use **insulated tools** when working near the battery to prevent sparks or explosions caused by short circuits.
- ✓ When removing the battery, cover exposed terminals with insulated materials.
- ✓ Check battery terminal polarity and ensure proper reconnection.
- ✓ Use only specified replacement parts; avoid low-quality alternatives.
- ✓ Use recommended tools. If no tools are specified, make sure your tools do **not** compromise safety.
- ✓ Support the vehicle with wheel chocks and a jack. **Never crawl under a vehicle supported by a jack alone.**
- ✓ Park the vehicle away from open flames and individuals who are smoking.
- ✓ Do not operate the vehicle if it fails to meet its performance specifications, as it may be unsafe.
- ✓ After maintenance or repair, test drive the vehicle in a **safe area**, free of other vehicles or pedestrians.
- ✓ Since not all scenarios can be anticipated, it is strongly recommended to entrust servicing to **qualified mechanics**.

STORAGE

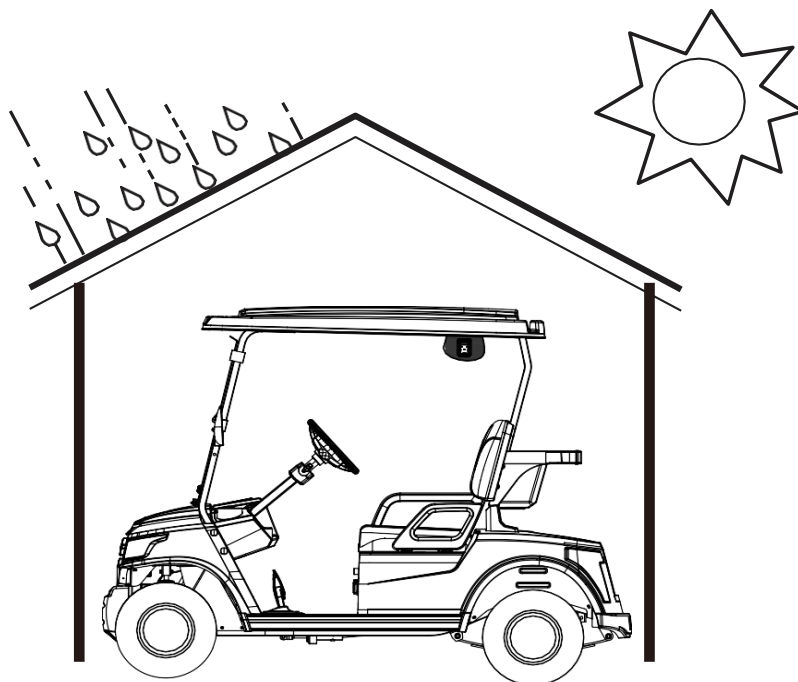
Read carefully all the safety statements before attempting any procedure.

VEHICLE STORAGE INSTRUCTIONS

- Store the vehicle in a dry, ventilated area between **14°F–95°F** (–10°C to 35°C); max temp: **122°F (50°C)**.
- Set key switch to **OFF**, remove the key, and place the FNR switch in **NEUTRAL**.
- Turn off all accessories.
- Disconnect battery cables (insulate cable ends); avoid terminal contact.
- Recharge to full every 1–3 months to prevent over-discharge.
- Clean the vehicle: body, seats, battery area, underside.
- Do **not** engage the parking brake—**use wheel chocks** instead.
- Inflate tires to the specified pressure shown on the tire.
- Perform all **semi-annual lubrications**.

RETURNING THE VEHICLE TO SERVICE

- Fully charge the battery.
- Set the Forward/Reverse switch (FNR) to **Neutral**.
- Adjust tire pressure to the recommended value.
- Have a trained technician perform lubrication.
- Complete a **daily pre-operation** safety check.
- Conduct a **vehicle performance inspection**.



HOW TO TOW GOLF CART ?

Read carefully all the safety statements before attempting any procedure.

VEHICLE TRANSPORTATION AND TOWING

WARNING

- Do **not** ride on or allow others on the vehicle while it is being transported or towed.
- Do **not** carry passengers while towing the golf cart.
- Apply the brake to limit speed during sharp turns or rough terrain.
- Use hazard lights if equipped.
- Secure seats, windshield, and any loose parts before towing.
- Do **not** tow multiple golf carts in series.
- Do **not** tow the vehicle on highways.
- Stop towing if any abnormal behavior is detected.

HOW TO TOW A BREZZY GOLF CART SAFELY

- Turn off the key switch.
- Set the Forward/Reverse switch to **Neutral**.
- For long-distance towing, disconnect battery terminals to protect the rear axle, motor, controller, and batteries.
- Tow the vehicle at a slow speed (**5–15 MPH**) or the typical operating speed. Avoid over speeding to prevent motor damage.
- Do **not** pull the cart faster than designed. Excessive speed may damage internal components.
- Unlock the parking brake.

If the cart has an **electromagnetic brake**, unlock it **mechanically** before towing.





CARTS BATTERY PARTS

www.breezyev.com