



LED Light Bulbs

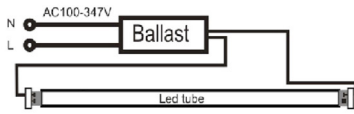
Westgate Manufacturing is an industry leader in the development and manufacture of LED products. Westgate's LED lamps carry a full three-year warranty as well as a full performance guarantee.

T8-EZ4

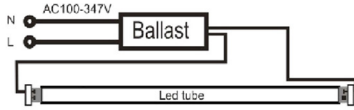
**A/C Direct or Ballast Compatible
(Works with some magnetic T12 ballasts)**

Works 4 ways:

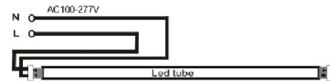
1) With existing electronic ballast
AC100~347V



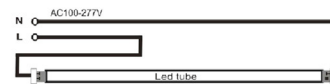
2) With existing magnetic ballast
AC100~347V



3) A/C direct one end
AC120~277V



4) A/C direct 2 ends
AC120~277V



TECHNICAL SPECIFICATIONS:

- ∴ T8 LED lamp, operates in the following manners:
 - 1 Existing electronic ballast.
 - 2 Ballast override AC direct, load and neutral on two sockets (Shunted), reverse polarity accepted.
 - 3 Ballast override AC direct, load and neutral on one socket (Non-Shunted), see label on lamp for the correct end to power.
- ∴ Lumens: 2050~2200LM (120LM/W)
- ∴ Voltage: 120V~277V AC
- ∴ Power Factor: 0.9 THD: <20%
- ∴ Base Type: G13
- ∴ IP Rating: IP20 (Indoor)
- ∴ Works A/C Direct one end or both ends
- ∴ Works with electronic and magnetic ballasts
- ∴ CRI 80
- ∴ Rated Life: 50,000 hrs.
- ∴ Ambient Operating Temperature: -13°F to 113°F
- ∴ Glass tube—better transparency and thermal conductivity than plastic
- ∴ Beam angle: 240°

APPLICATIONS:

- ∴ Avoid initial labor costs by replacing the fluorescent tube with this compatible tube. Once fluorescent ballast fails, there is no need to install a new ballast. This tube can simply work with direct A/C power.
- ∴ Ideal for offices, showrooms, refrigerators, cove lighting, etc.

G1

LED T8-EZ4 TUBE LAMPS

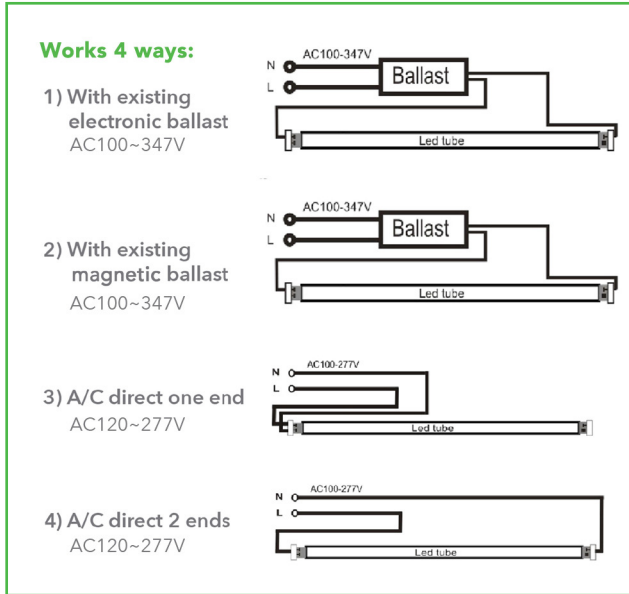


4FT. LED T8-EZ4 GLASS TUBE LAMPS

CATALOG NO.	WATTS	LUMENS	COLOR TEMP	MATERIAL	LENGTH
T8-EZ4-18W-40K-C	18W	2200LM	4000K	Clear glass	4FT.
T8-EZ4-18W-40K-F	18W	2100LM	4000K	Frosted glass	
T8-EZ4-18W-50K-C	18W	2300LM	5000K	Clear glass	
T8-EZ4-18W-50K-F	18W	2200LM	5000K	Frosted glass	

T8-EZ4-HL

A/C Direct or Ballast Compatible
(Works with some magnetic T12 ballasts)



TECHNICAL SPECIFICATIONS:

- :: T8 LED lamp, operates in the following manners:
 - 1 Existing electronic ballast.
 - 2 Ballast override AC direct, load and neutral on two sockets (Shunted), reverse polarity accepted.
 - 3 Ballast override AC direct, load and neutral on one socket (Non-Shunted), see label on lamp for the correct end to power.
- :: Lumens: 2100~2300LM (140LM/W)
- :: Voltage: 120V~277V AC
- :: Power Factor: 0.9 THD: <20%
- :: Base Type: G13
- :: IP Rating: IP20 (Indoor)
- :: Works A/C Direct one end or both ends
- :: Works with electronic and magnetic ballasts
- :: CRI 80
- :: Rated Life: 50,000 hrs.
- :: Ambient Operating Temperature: -13°F to 113°F
- :: Glass tube—better transparency and thermal conductivity than plastic
- :: Beam angle: 240°

APPLICATIONS:

- :: Avoid initial labor costs by replacing the fluorescent tube
- :: with this compatible tube. Once fluorescent ballast fails, there is no need to install a new ballast. This tube can simply work with direct A/C power.
- :: Ideal for offices, showrooms, refrigerators, cove lighting, etc.



C2

LED T8-EZ4-HL TUBE LAMPS

4FT. LED T8-EZ4-HL GLASS TUBE LAMPS

CATALOG NO.	WATTS	LUMENS	COLOR TEMP	MATERIAL	LENGTH
T8-EZ4-HL-15W-40K-F	15W	2100LM	4000K	Frosted glass	4FT.
T8-EZ4-HL-15W-40K-C	15W	2200LM	4000K	Clear glass	
T8-EZ4-HL-15W-50K-F	15W	2200LM	5000K	Frosted glass	
T8-EZ4-HL-15W-50K-C	15W	2300LM	5000K	Clear glass	

T8-U2F

A/C Direct or Ballast Compatible LED U-Tube

TECHNICAL SPECIFICATIONS:

- :: U6 T8 LED lamp operates on line voltage without a ballast, sockets wired to line voltage, or with electronic ballast
- :: Voltage: 120~277V AC input
- :: Heat sink: 6063 extruded aluminum with heat dissipation ribs for superior thermal management
- :: Beam Spread: 120°
- :: Base: Fits standard T8 (G13) wired directly to line voltage (120 or 277V AC) or with existing electronic ballast
- :: Rated Life: 50,000 hrs.
- :: Ambient Operating Temperature: 14°F to 80°F
- :: Not dimmable (dimmable version available by special order)

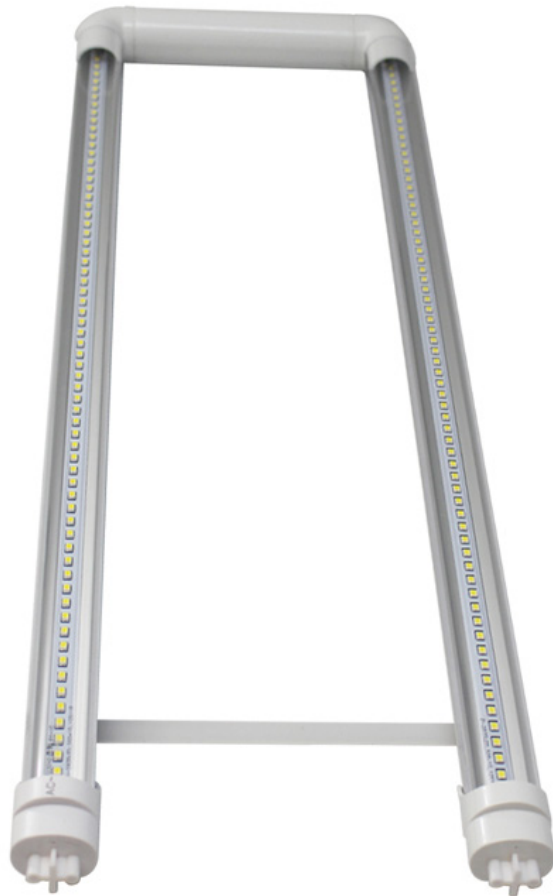
APPLICATIONS:

:: Ideal for offices, retail stores, showrooms and residential applications. Especially suited for areas where accessing the fixture is challenging.



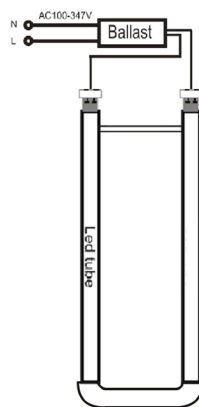
C3

LED U-SHAPED T8 TUBE LAMPS

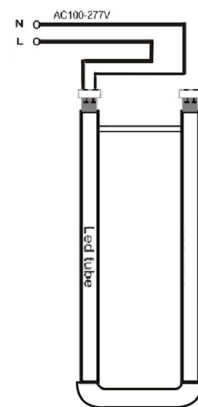


Works 3 ways:

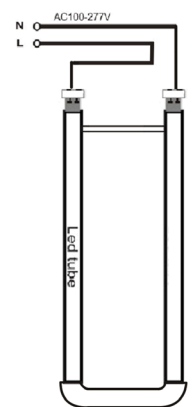
1) With existing electronic ballast



2) A/C direct one end



3) A/C direct 2 ends

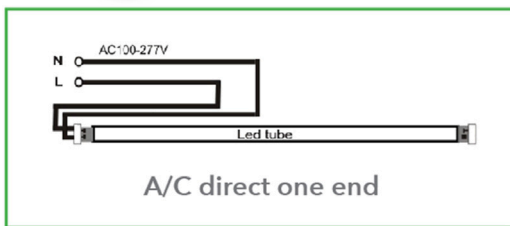


LED U-SHAPED T8 PLASTIC / ALUMINUM TUBE LAMPS

CATALOG NO.	WATTS	LUMENS	COLOR TEMP	CHIP	LENGTH
T8-U2F-EZ3-15W-32K	15W	1410LM	3200K	72 SMD2835	2FT.
T8-U2F-EZ3-15W-41K	15W	1450LM	4100K	72 SMD2835	
T8-U2F-EZ3-15W-50K	15W	1500LM	5000K	72 SMD2835	

T8

Dimmable A/C Direct (Ballast Override 4ft. & 8ft.)



(T8 4ft. wiring diagram only)

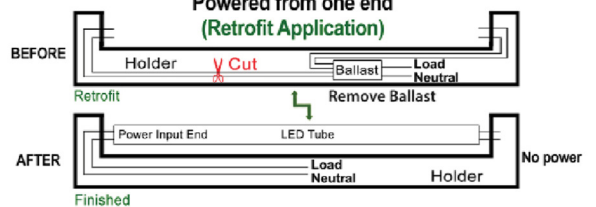
TECHNICAL SPECIFICATIONS:

- ⌚ T8 LED lamp operates on line voltage with existing electronic ballast or without a ballast; sockets wired to line voltage.
- ⌚ Voltage: 90~140V AC input (4 ft. tubes)
- ⌚ Rated for use in open fixtures only. Not for use in enclosed fixtures
- ⌚ UL-listed, DLC-rated except T8-8FT-40W-50K
- ⌚ Heat sink: 6063 extruded aluminum with heat dissipation ribs for superior thermal management
- ⌚ Beam Spread: 120°
- ⌚ Base: Fits standard T8 or T12 sockets (G13)
- ⌚ Rated Life: 50,000 hrs.
- ⌚ Ambient Operating Temperature: 14°F to 80°F
- ⌚ Not dimmable (dimmable version available by special order)
- ⌚ Requires no ballast. Existing ballast must be bypassed and sockets wired directly to line voltage.
- ⌚ Ideal for offices, retail stores, showrooms, and residential applications. Especially suited for areas where accessing the fixture is challenging.



Installation Instructions

Powered from one end
(Retrofit Application)



(T8 4ft. wiring diagram only)

4FT. & 8FT. LED T8 DIMMABLE PLASTIC / ALUMINUM TUBE LAMPS

CATALOG NO.	WATTS	LUMENS	COLOR TEMP	CHIP	FINISH	LENGTH
T8-4FT-18W-35K-D-F	18W	1900LM	3500K	132 SMS2835	Frosted	4FT.
T8-4FT-18W-40K-D-F	18W	2150LM	4000K	132 SMS2835	Frosted	
T8-4FT-18W-50K-D-F	18W	2150LM	5000K	132 SMS2835	Frosted	
T8-4FT-18W-50K-D-C	18W	2150LM	5000K	132 SMS2835	Clear	
T8-8FT-40W-50K-C	40W	4800LM	5000K	210 SMS2835	Clear	8FT.
T8-8FT-40W-50K-F	40W	4800LM	5000K	210 SMS2835	Frosted	
T8-8FT-40W-40K-C	40W	4800LM	4000K	210 SMS2835	Clear	
T8-8FT-40W-40K-F	40W	4800LM	4000K	210 SMS2835	Frosted	

T8-EZ3

A/C Direct or Ballast Compatible LED Tube

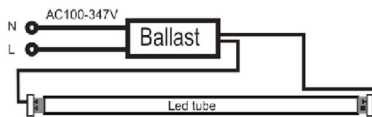


TECHNICAL SPECIFICATIONS:

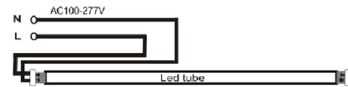
- :: T8 LED lamp, operates in the following manners:
 - 1 Existing electronic ballast.
 - 2 Ballast override AC direct, load and neutral on two sockets (Shunted), reverse polarity accepted.
 - 3 Ballast override AC direct, load and neutral on one socket (Non-Shunted), see label on lamp for the correct end to power.
- :: Works with most instant start electronic ballasts in North America
- :: Voltage: 120~277V AC input, or 100~347V AC with ballast
- :: Heat sink: 6063 extruded aluminum with heat dissipation ribs for superior thermal management
- :: Beam Spread: 120°
- :: CRI: 80
- :: Base: Fits standard G13 sockets
- :: Rated Life: 50,000 hrs.
- :: Ambient Operating Temperature: -4°F to 104°F
- :: Not dimmable, unless it is used with dimmable electronic ballast
- :: Lumens per watt: 100LWP with ballast / 115LWP without ballast
- :: Power consumption is the same when using with or without ballast.
- :: Lumens per watt: 100LPW with ballast / 115LPW without

Works 3 ways:

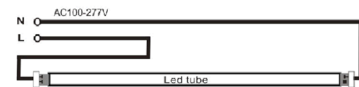
1) With existing electronic ballast



2) A/C direct one end



3) A/C direct 2 ends



APPLICATIONS:

- :: Avoid initial labor costs by replacing the fluorescent tube with this compatible tube. Once fluorescent ballast fails, there is no need to install a new ballast. This tube can simply work with direct A/C power.
- :: Ideal for offices, showrooms, refrigerators, cove lighting, etc.



2FT. & 4FT. LED T8-EZ3 PLASTIC / ALUMINUM TUBE LAMPS

CATALOG NO.	WATTS	LUMENS	COLOR TEMP	CHIP	FINISH	LENGTH
T8-EZ3-4FT-18W-5K-C	18W	2212LM	5000K	110 SMD2835	Clear	4FT.
T8-EZ3-4FT-18W-5K-F	18W	2212LM	5000K	110 SMD2835	Frosted	
T8-EZ3-4FT-18W-4K-C	18W	2212LM	4000K	110 SMD2835	Clear	
T8-EZ3-4FT-18W-4K-F	18W	2212LM	4000K	110 SMD2835	Frosted	
T8-EZ3-4FT-18W-35K-C	18W	2212LM	3500K	110 SMD2835	Clear	
T8-EZ3-4FT-18W-30K-F	18W	2212LM	3000K	110 SMD2835	Frosted	
T8-EZ3-2FT-15W-3K-C	15W	2032LM	3000K	60 SMD2835	Clear	2FT.
T8-EZ3-2FT-15W-4K-C	15W	2032LM	4000K	60 SMD2835	Clear	
T8-EZ3-2FT-15W-5K-C	15W	2032LM	5000K	60 SMD2835	Clear	

T-RFG

REFRIGERATOR LAMP



1 Male, 1 Female for

TECHNICAL SPECIFICATIONS:

- :: T8 LED lamp operates on line voltage with existing electronic ballast or without a ballast; one socket wired to line voltage, or both ends.
- :: Works with most instant start electronic ballasts in North America
- :: Voltage: 120~277V AC input, or 100~347V AC with ballast
- :: Heat sink: 6063 extruded aluminum with heat dissipation ribs for superior thermal management
- :: Beam Spread: 120°
- :: CRI: 80
- :: Base: Fits standard G13 sockets
- :: Rated Life: 50,000 hrs.
- :: Ambient Operating Temperature: -4°F to 104°F
- :: Not dimmable, unless it is used with dimmable electronic ballast
- :: Lumens per watt: 100LWP with ballast / 115LWP without ballast
- :: Power consumption is the same when using with or without ballast.
- :: Lumens per watt: 100LPW with ballast / 115LPW without

APPLICATIONS:

- :: Avoid initial labor costs by replacing the fluorescent tube with this compatible tube. Once fluorescent ballast fails, there is no need to install a new ballast. This tube can simply work with direct A/C power.
- :: Ideal for offices, showrooms, refrigerators, cove lighting, etc.



C6

LED REFRIGERATOR TUBE LAMPS

5FT. & 6FT. LED REFRIGERATOR TUBE LAMPS

CATALOG NO.	WATTS	LUMENS	COLOR TEMP	FINISH	LENGTH
T-RFG-5FT-22W-50K-C	22W	3100LM	5000K	Clear	5 Ft.
T-RFG-6FT-30W-50K-C	30W	4200LM	5000K	Clear	6 Ft.

RSL & SSL



6"

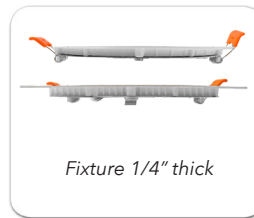


4"



TECHNICAL SPECIFICATIONS:

- :: Die-cast aluminum with white powder coat finish
- :: Pot light housing is not required even for insulated ceilings
- :: Optics: White translucent acrylic lens
- :: Lens: 0.125" white translucent acrylic
- :: Type IC rated - Approved for direct contact with insulation
- :: CRI: >80
- :: Working voltage: 120V AC
- :: Beam Spread: 100-110°
- :: Dimmable
- :: LED: Seoul DOB (Driver On Board) Technology
- :: Power factor: 90% +
- :: Air-tight and damp location approved
- :: Maximum Ambient Temperature: -40°F~104°F
- :: 5000 Hours, 5-year warranty
- :: ETL-listed
- :: Energy Star-rated



4" & 6" Round Rough-in plates

LED ULTRA SLIM RECESSED LIGHTS

CATALOG NO.		WATTS	COLOR TEMP	LUMENS	DIAMETER
ROUND	SQUARE				
RSL4-27K	SSL4-27K	9W	2700K	540LM	4"
RSL4-30K	SSL4-30K	9W	3000K	540LM	
RSL4-40K	SSL4-40K	9W	4000K	540LM	
RSL4-50K	SSL4-50K	9W	5000K	540LM	
RSL6-27K	SSL6-27K	15W	2700K	900LM	
RSL6-30K	SSL6-30K	15W	3000K	900LM	6"
RSL6-40K	SSL6-40K	15W	4000K	900LM	
RSL6-50K	SSL6-50K	15W	5000K	900LM	
RSL4-RI			4" round Rough-in Plate		
RSL6-RI			6" round Rough-in Plate		

RDL

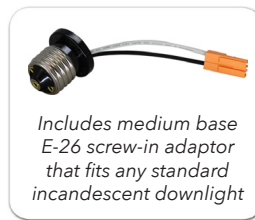


TECHNICAL SPECIFICATIONS:

- :: Construction: Spun aluminum with white powder coat finish
- :: Optics: White translucent acrylic lens
- :: Isolated driver for improved thermal management
- :: Output Voltage: 36VDC
- :: Input Voltage: 120V AC
- :: Dimmable down to 10% using an approved dimmer (refer to website for more information)
- :: LED: Epistar chip (COB) and driver—35,000-hour design life
- :: CRI: 90+
- :: Power Factor: 90%
- :: Suitable for damp locations
- :: Maximum ambient 104°F
- :: Total Harmonic Distortion: ≤15 %
- :: Operating temperature: 68°F~113°F
- :: UL-listed
- :: Energy Star-rated



ACCESSORIES INCLUDED



LED DOWNLIGHTS (SMOOTH TRIM)—3" ROUND

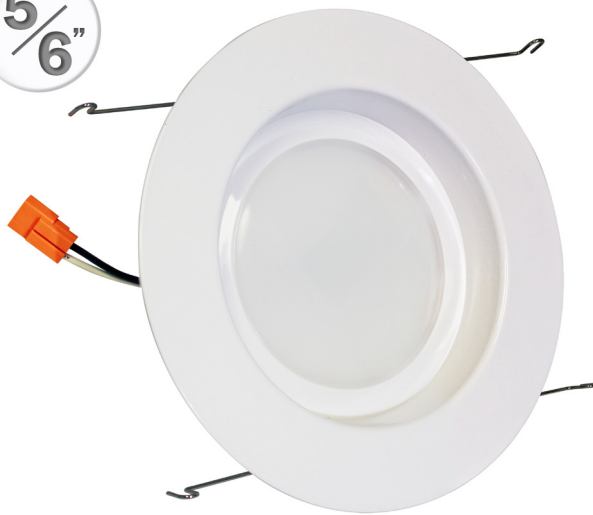
CATALOG NO.	WATTS	COLOR TEMP	LUMENS	DIAMETER
RDL3-27K-WP	9W	2700K	540LM	3"
RDL3-30K-WP	9W	3000K	540LM	
RDL3-41K-WP	9W	4100K	540LM	
RDL3-50K-WP	9W	5000K	540LM	

RDL

4"



5"
6"



TECHNICAL SPECIFICATIONS:

- :: Construction: Spun aluminum with white powder coat finish
- :: Optics: White translucent acrylic lens
- :: Isolated driver for improved thermal management
- :: Output Voltage: 36VDC
- :: Input Voltage: 120V AC
- :: Dimmable down to 10% using an approved dimmer (refer to website for more information)
- :: LED: Epistar chip (COB) and driver—35,000-hour design life
- :: CRI: 90+
- :: Power Factor: 90%
- :: Suitable for damp locations
- :: Maximum ambient 104°F
- :: Total Harmonic Distortion: ≤15 %
- :: Operating temperature: 68°F~113°F
- :: UL-listed
- :: Energy Star-rated



ACCESSORIES INCLUDED



LED DOWNLIGHTS (SMOOTH TRIM)—4" & 5"/6" ROUND

CATALOG NO.	WATTS	COLOR TEMP	LUMENS	DIAMETER
RDL4-27K-WP	12W	2700K	650LM	4"
RDL4-30K-WP	12W	3000K	700LM	
RDL4-35K-WP	12W	3500K	725LM	
RDL4-41K-WP	12W	4100K	750LM	
RDL4-50K-WP	12W	5000K	800LM	
RDL4-65K-WP	12W	6500K	850LM	
RDL6-27K-WP	19W	2700K	1200LM	
RDL6-30K-WP	19W	3000K	1250LM	
RDL6-35K-WP	19W	3500K	1275LM	
RDL6-41K-WP	19W	4100K	1300LM	
RDL6-50K-WP	19W	5000K	1350LM	
RDL6-65K-WP	19W	6500K	1400LM	

C9

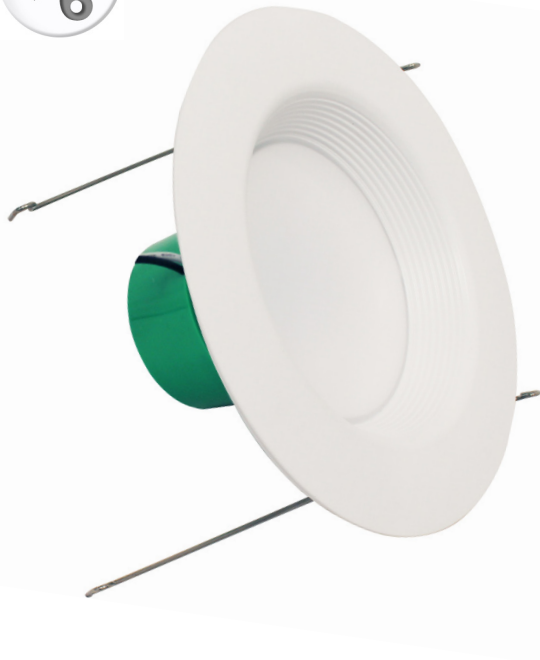
LED DOWNLIGHTS (SMOOTH RETROFIT TRIM)

RDL-BF

4"

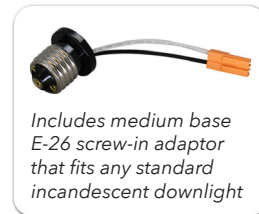


5 5/8"



TECHNICAL SPECIFICATIONS:

- :: Die-cast aluminum with white powder coat finish
- :: Gasket: close cell Neoprene foam gasket
- :: Lens: 0.125" white translucent acrylic
- :: Isolated driver for improved thermal management
- :: CRI: 90
- :: Working voltage: 120V AC
- :: Dimmable
- :: LED: EPISTAR chip (COB) and driver—35,000-hour design life
- :: Power factor: 90% +
- :: Suitable for damp locations when gasket is used
- :: Maximum Ambient Temperature: 104°F
- :: 5-year warranty
- :: UL-listed
- :: Energy Star-rated



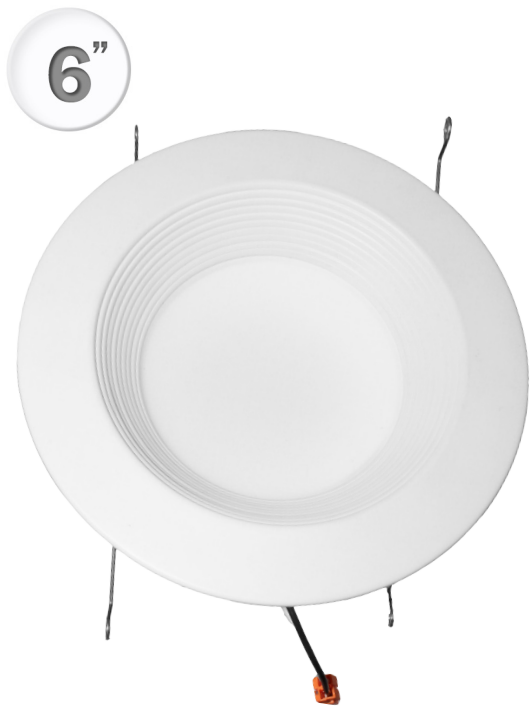
C10

LED DOWNLIGHTS (BAFFLE RETROFIT TRIM)

LED DOWNLIGHTS (BAFFLE TRIM)—4" & 5" / 6" ROUND

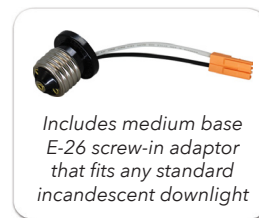
CATALOG NO.	WATTS	COLOR TEMP	LUMENS	DIAMETER
RDL4-BF-27K	11W	2700K	650LM	4"
RDL4-BF-30K	11W	3000K	700LM	
RDL4-BF-41K	11W	4100K	750LM	
RDL4-BF-50K	11W	5000K	800LM	
RDL6-BF-27K	13W	2700K	850LM	5" / 6"
RDL6-BF-30K	13W	3000K	900LM	
RDL6-BF-41K	13W	4100K	950LM	
RDL6-BF-50K	13W	5000K	1000LM	

RDLB-6PK



TECHNICAL SPECIFICATIONS:

- :: Die-cast aluminum with white powder coat finish
- :: Gasket: close cell Neoprene foam gasket
- :: Lens: 0.125" white translucent acrylic
- :: Isolated driver for improved thermal management
- :: CRI: 80
- :: Working voltage: 120V AC
- :: Dimmable
- :: LED: EPISTAR chip (COB) and driver—35,000-hour design life
- :: Power factor: 90% +
- :: Suitable for damp locations when gasket is used
- :: Maximum Ambient Temperature: 104°F
- :: 5-year warranty
- :: Energy Star-rated



LED DOWNLIGHTS (BAFFLE TRIM)—4" & 6" ROUND

CATALOG NO.	WATTS	COLOR TEMP	LUMENS	DIAMETER
RDL4B-6PK-30K	10W	3000K	710LM	4"
RDL4B-6PK-50K	10W	5000K	710LM	
RDL6B-6PK-30K	12W	3000K	900LM	6"
RDL6B-6PK-50K	12W	5000K	900LM	

RDL-ADJ

4"

5"
6"



TECHNICAL SPECIFICATIONS:

- :: Die-cast aluminum with white powder coat finish
- :: Trim ring: Integrated spun aluminum white powder coat finish
- :: Gasket: close cell Neoprene foam gasket
- :: Lens: 0.125" white translucent acrylic
- :: Isolated driver for improved thermal management
- :: CRI: 90
- :: Working Voltage: 120V AC
- :: Dimmable
- :: Tilts to 45°
- :: Can rotate after installation to align
- :: LED: EPSTAR chip (COB) and driver—35,000-hour design life
- :: Power factor: 90% +
- :: Suitable for damp locations
- :: Maximum Ambient Temperature: 104°F
- :: UL-listed
- :: Energy Star-rated
- :: Adjustable bracket can fit in 5" and 6" housings (RDL6)



ACCESSORIES INCLUDED



LED DOWNLIGHTS (ADJUSTABLE)—4" & 5"/6" ROUND

CATALOG NO.	WATTS	COLOR TEMP	LUMENS	DIAMETER
RDL4-ADJ-27K	10W	2700K	650LM	4"
RDL4-ADJ-30K	10W	3000K	650LM	
RDL4-ADJ-41K	10W	4100K	650LM	
RDL4-ADJ-50K	10W	5000K	650LM	
RDL6-ADJ-27K	12W	2700K	900LM	5"/6"
RDL6-ADJ-30K	13W	3000K	900LM	
RDL6-ADJ-41K	13W	4100K	900LM	
RDL6-ADJ-50K	13W	5000K	900LM	

SDL-BF

4"



5"
6"



TECHNICAL SPECIFICATIONS:

- :: Die-cast aluminum with white powder coat finish
- :: Can rotate after installation to align
- :: Optics: White translucent acrylic lens
- :: Lens: 0.125" white translucent acrylic
- :: CRI: 90
- :: Working voltage: 120V AC
- :: Dimmable
- :: LED: Seoul DOB (Driver On Board) Technology
- :: Power factor: 90% +
- :: Suitable for damp locations when gasket is used
- :: Maximum Ambient Temperature: 104°F
- :: 5-year warranty
- :: ETL-listed
- :: Energy Star-rated



LED DOWNLIGHTS (BAFFLE TRIM)—4" & 5"/6" SQUARE

CATALOG NO.	WATTS	COLOR TEMP	LUMENS	DIAMETER
SDL4-BF-27K	9W	2700K	600LM	4" X 4"
SDL4-BF-30K	9W	3000K	650LM	
SDL4-BF-41K	9W	4000K	700LM	
SDL4-BF-50K	9W	5000K	750LM	
SDL6-BF-27K	15W	2700K	1200LM	6" X 6"
SDL6-BF-30K	15W	3000K	1200LM	
SDL6-BF-41K	15W	4000K	1200LM	
SDL6-BF-50K	15W	5000K	1200LM	

GU24 Optional Molex GU24 connector

C13

LED DOWNLIGHTS (BAFFLE RETROFIT TRIM)

DLS

4"



5 5/8"



TECHNICAL SPECIFICATIONS:

- ⋮ Construction: Spun aluminum
- ⋮ LED: Unique enclosed DOB (Driver On Board) LED board enclosed in clear plastic casing for better damp location performance
- ⋮ Gasket: close cell Neoprene foam gasket
- ⋮ Lens: White translucent acrylic
- ⋮ Isolated driver for improved thermal management
- ⋮ CRI: 90
- ⋮ Working Voltage: 120V AC
- ⋮ Dimmable
- ⋮ LED: Seoul DOB (Driver On Board) Technology
- ⋮ Power factor: 90% +
- ⋮ Suitable for damp locations
- ⋮ Maximum Ambient Temperature: 104°F
- ⋮ Energy Star-rated
- ⋮ Fit on recessed housings / Fit on standard 4" octagonal (40) or 3" octagonal (30) electrical boxes



ACCESSORIES INCLUDED



for DLS4



for DLS6

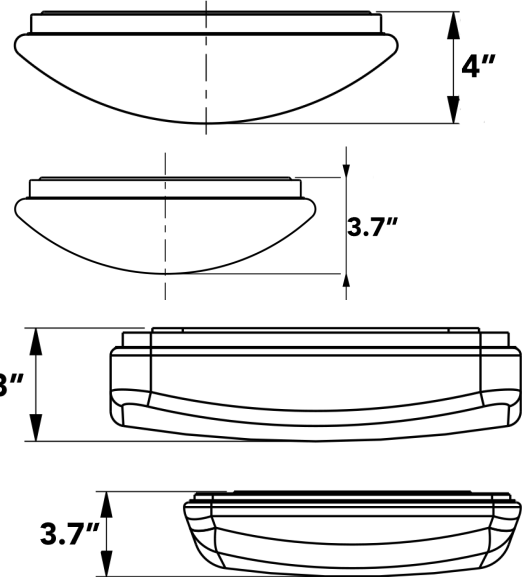
LED DISK LIGHTS – 4" & 5" / 6" ROUND

CATALOG NO.	FINISH	WATTS	COLOR TEMP	LUMENS	DIAMETER
DLS4-27K	WHITE	9W	2700K	550~600LM	4"
DLS4-30K	WHITE	9W	3000K	550~600LM	
DLS4-41K	WHITE	9W	4000K	550~600LM	
DLS4-50K	WHITE	9W	5000K	550~600LM	
DLS6-27K	WHITE	15W	2700K	950~1000LM	5" / 6"
DLS6-30K	WHITE	15W	3000K	950~1000LM	
DLS6-41K	WHITE	15W	4000K	950~1000LM	
DLS6-50K	WHITE	15W	5000K	950~1000LM	
DLS6-30K-BR	BRONZE	15W	3000K	950~1000LM	
DLS6-30K-BN	BRUSHED NICKEL	15W	3000K	950~1000LM	

FCR & FCS

TECHNICAL SPECIFICATIONS:

- :: Construction: Spun aluminum with white powder coat finish
- :: Lens material: PMMA
- :: LED: Seoul DOB (Driver On Board) Technology
- :: Gasket: close cell Neoprene foam gasket
- :: Optics: White translucent acrylic lens
- :: 1" deep
- :: Voltage: 120V AC
- :: Dimmable down to 10% using an approved dimmer
- :: Power factor: 90% +
- :: Suitable for damp locations when gasket is used
- :: Maximum Ambient Temperature: 104°F
- :: ETL-listed
- :: Energy Star-rated



LED CLOUD FIXTURES

CATALOG NO.	SIZE	WATTS	COLOR TEMP	LUMENS	SHAPE
FCR-11-12W-40K	11" Diameter	15W	4000K	550LM	ROUND
FCR-14-18W-40K	14" Diameter	22W	4000K	750LM	
FCS-11-12W-40K	11" Diameter	15W	4000K	550LM	SQUARE
FCS-14-18W-40K	14" Diameter	22W	4000K	750LM	

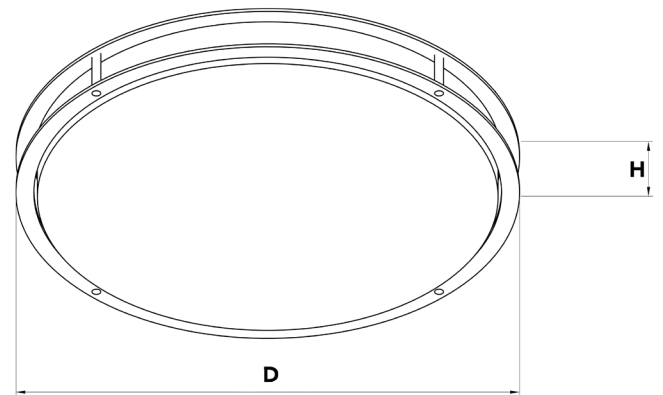
C15
LED FLUSH MOUNT FIXTURES

FDL



TECHNICAL SPECIFICATIONS:

- ⌘ Construction: Spun aluminum
- ⌘ LED: Seoul DOB (Driver On Board) Technology
- ⌘ Gasket: close cell Neoprene foam gasket
- ⌘ Optics: White translucent acrylic lens
- ⌘ Voltage: 120V AC
- ⌘ Dimmable down to 10% using an approved dimmer
- ⌘ Power factor: 90% +
- ⌘ Suitable for damp locations when gasket is used
- ⌘ Maximum Ambient Temperature: 104°F
- ⌘ ETL-listed
- ⌘ Energy Star-rated



C16

LED FLUSH MOUNT FIXTURES

LED DRUM FIXTURES

CATALOG NO.	SIZE	WATTS	COLOR TEMP	LUMENS	SHAPE
FDL-12-15W-40K	12" Diameter	15W	4000K	1000LM	ROUND H= 3-1/2"
FDL-14-20W-40K	14" Diameter	20W	4000K	1400LM	
FDL-16-25W-40K	16" Diameter	25W	4000K	1800LM	
FDL-18-30W-40K	18" Diameter	30W	4000K	2200LM	

FML



TECHNICAL SPECIFICATIONS:

- :: Construction: Spun aluminum with white powder coat finish
- :: LED: Seoul DOB (Driver On Board) Technology
- :: Gasket: close cell Neoprene foam gasket
- :: Optics: White translucent acrylic lens
- :: 1" deep
- :: Voltage: 120V AC
- :: Dimmable down to 10% using an approved dimmer
- :: Power factor: 90% +
- :: Suitable for damp locations when gasket is used
- :: Maximum Ambient Temperature: 104°F
- :: ETL-listed
- :: Energy Star-rated



C17

LED FLUSH MOUNT FIXTURES

LED FLUSH MOUNT FIXTURES

CATALOG NO.	SIZE	WATTS	COLOR TEMP	LUMENS	SHAPE
FML-R6-11W-30K	6" Diameter	11W	3000K	550LM	ROUND
FML-R6-11W-50K	6" Diameter	11W	5000K	550LM	
FML-R8-14W-30K	8" Diameter	14W	3000K	750LM	
FML-R8-14W-50K	8" Diameter	14W	5000K	750LM	
FML-R10-17W-30K	10" Diameter	17W	3000K	950LM	
FML-R10-17W-50K	10" Diameter	17W	5000K	950LM	
FML-S6-11W-30K	6" x 6"	11W	3000K	550LM	SQUARE
FML-S6-11W-50K	6" x 6"	11W	5000K	550LM	
FML-S8-14W-30K	8" x 8"	14W	3000K	750LM	
FML-S8-14W-50K	8" x 8"	14W	5000K	750LM	
FML-S10-17W-30K	10" x 10"	17W	3000K	950LM	
FML-S10-17W-50K	10" x 10"	17W	5000K	950LM	

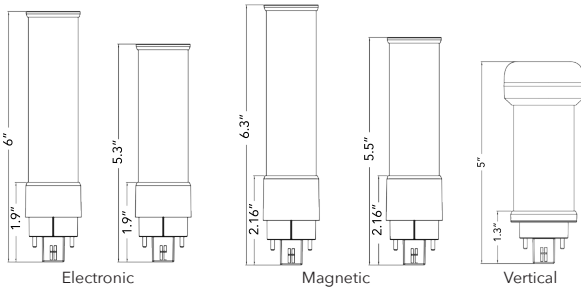
LPL



Vertical



Horizontal



TECHNICAL SPECIFICATIONS:

- :: Direct PL Lamp Replacement for fixtures with Electronic or Magnetic Ballasts
- :: Lumens: 800LM (9W) and 1200LM (12W)
- :: Magnetic-Ballast versions can also be connected to AC direct sockets with input voltage of 120~277V
- :: PF: 90% +
- :: CRI: >80
- :: Beam angle: 150°
- :: Lifespan: 50,000 Hours, about 50 times the life of average fluorescent PL lamps
- :: Non-dimmable
- :: Operating Temp: -4~+113°F
- :: ETL listed

FEATURES:

- :: Long life—reduced re-lamping cost
- :: Contains No Mercury
- :: Emits no UV/IR light
- :: 5-year warranty



LED PL LAMPS

CATALOG NO.	BALLAST	POSITION	FLUORESCENT REPLACEMENT	ROTATABLE	WATTS	COLOR TEMP	LUMENS	BASE	
LPL-EB-9W-H-40K	Electronic	Horizontal	PL13	90°	9W	4000K	800LM		
	with Ballast only								
LPL-EB-14W-H-L-40K	Electronic	Horizontal	PL18	90°	12W	4000K	1200LM		
	with Ballast only								
LPL-EB-14W-V-40K	Electronic	Vertical	PL18	N/A	12W	4000K	1200LM		
	with Ballast only								
LPL-MB-9W-H-40K	Magnetic or AC (Ballast override)	Horizontal	PL13	90°	9W	4000K	800LM		
LPL-MB-14W-H-L-40K	Magnetic or AC (Ballast override)	Horizontal	PL18	90°	12W	4000K	1200LM		
LPL-MB-14W-V-40K	Magnetic or AC (Ballast override)	Vertical	PL18	N/A	12W	4000K	1200LM		

CL

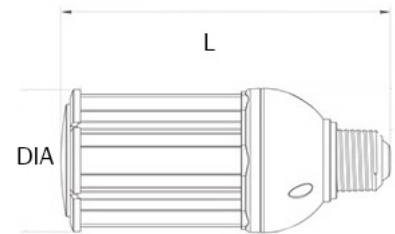


TECHNICAL SPECIFICATIONS:

- :: Input voltage: 120~277V AC
- :: CCT: 3000K and 5000K
- :: CRI: 84
- :: Lamp base: E26 medium base (mogul base adaptors optional)
- :: Chip: Samsung LED chips with Rubycon driver
- :: Beam angle: 360°
- :: Operating Temp: 4°F~149°F

APPLICATIONS:

- :: Ideal for retrofitting existing HID highbay, shoebox, flood light or wall pack fixtures
- :: Can be used in enclosed luminaires



LED CORN LAMPS

CATALOG NO.	WATTS	BASE	LUMENS	COLOR TEMP	REPLACEMENT RANGE	DIMENSIONS
CL-18W-50K-E26	18W	E26	2450LM	5000K	50~100 MH	6-1/2" (L) x 2-3/4" (Dia)
CL-18W-30K-E26	18W	E26	2304LM	3000K	50~100 MH	
CL-36W-50K-E39	36W	E39	4788LM	5000K	70~150 MH	9-1/4" (L) x 3-3/4" (Dia)
CL-36W-30K-E39	36W	E39	4456LM	3000K	70~150 MH	
CL-45W-50K-E39	45W	E39	5985LM	5000K	100~175 MH	9-1/4" (L) x 3-3/4" (Dia)
CL-45W-30K-E39	45W	E39	5580LM	3000K	100~175 MH	

E26 MEDIUM BASE ENLARGER TO MOGUL BASE

ENLARGES E26 BULB TO BE USED IN E39 SOCKET

CL

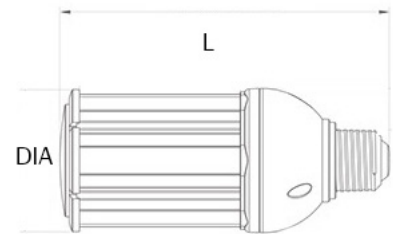


TECHNICAL SPECIFICATIONS:

- :: Input voltage: 120~277V AC
- :: CCT: 3000K and 5000K
- :: CRI: 84
- :: Lamp base: E26 medium base for CL-54W; E39 mogul base for CL-120W and CL-200W
- :: Chip: Samsung LED chips with Rubycon driver
- :: Beam angle: 360°
- :: Operating Temp: 4°F~149°F

APPLICATIONS:

- :: Ideal for retrofitting existing HID highbay, shoebox, flood light or wall pack fixtures
- :: Can be used in enclosed luminaires



C20

LED CORN LAMPS

LED CORN LAMPS

CATALOG NO.	WATTS	BASE	LUMENS	COLOR TEMP	REPLACEMENT RANGE	DIMENSIONS
CL-54W-50K-E39	54W	E39	7182LM	5000K	100~175 MH	10-1/2" (L) x 3-3/4" (Dia)
CL-54W-30K-E39	54W	E39	6696LM	3000K	100~175 MH	
CL-120W-50K-E39	120W	E39	15960LM	5000K	200~400 MH	12" (L) x 5-3/4" (Dia)
CL-120W-30K-E39	120W	E39	14880LM	3000K	200~400 MH	
CL-200W-50K-E39	200W	E39	27200LM	5000K	320~400 MH	14-1/4" (L) x 5" (Dia)

E39 MOGUL BASE REDUCER TO MEDIUM BASE

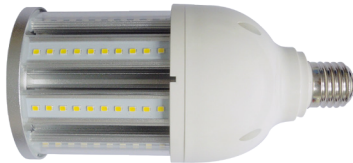
REDUCES E39 BULB TO BE USED IN E26 SOCKET

CL-EZ2

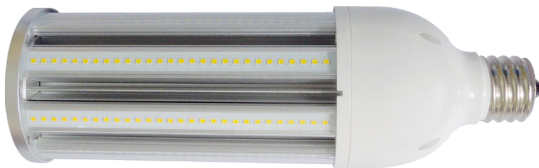
A/C DIRECT OR BALLAST COMPATIBLE



CL-EZ2-16W



CL-EZ2-27W



CL-EZ2-75W



CL-EZ2-100W

TECHNICAL SPECIFICATIONS:

- :: Input voltage: 120~277V AC
- :: CCT: 3000K and 5000K
- :: CRI: 84
- :: Lamp base: E26 medium base (mogul base adaptors optional)
- :: Chip: Samsung LED chips with Rubycon driver
- :: Beam angle: 360°
- :: Operating Temp: 4°F~149°F

APPLICATIONS:

- :: Ideal for retrofitting existing HID highbay, shoebox, flood light or wall pack fixtures
- :: Can be used in enclosed luminaires

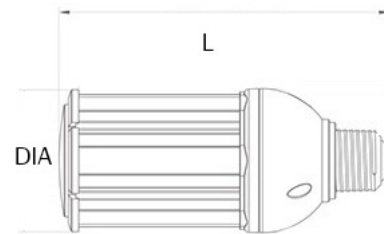


2 EASY WAYS TO INSTALL:

- Bypass ballast and directly connect to 120~277V AC
- Use with existing HID ballast

WARNING

HID ballast consumes electricity when the switch is on. For best energy-saving results, ballast should be bypassed.



LED CORN LAMPS EZ2 (BALLAST COMPATIBLE)

CATALOG NO.	WATTS	LUMENS	COLOR TEMP	REPLACEMENT RANGE	DIMENSIONS
CL-EZ2-16W-50K	16W	1650LM	5000K	50~100 MH	7" (L) x 2-3/4" (Dia)
CL-EZ2-16W-30K	16W	1650LM	3000K	50~100 MH	
CL-EZ2-27W-50K	27W	2168LM	5000K	70~150 MH	7-3/4" (L) x 3-1/2" (Dia)
CL-EZ2-27W-30K	27W	2168LM	3000K	70~150 MH	
CL-EZ2-75W-50K	75W	5048LM	5000K	150~320 MH	11-3/4" (L) x 3-3/4" (Dia)
CL-EZ2-75W-30K	75W	4720LM	3000K	150~320 MH	
CL-EZ2-100W-50K-HL	100W	12290LM	5000K	320~400 MH	11-1/2" (L) x 4-3/4" (Dia)
CL-EZ2-100W-30K-HL	100W	12280LM	3000K	320~400 MH	

E26 ENLARGER

ENLARGES E26 BULB TO BE USED IN E39 SOCKET

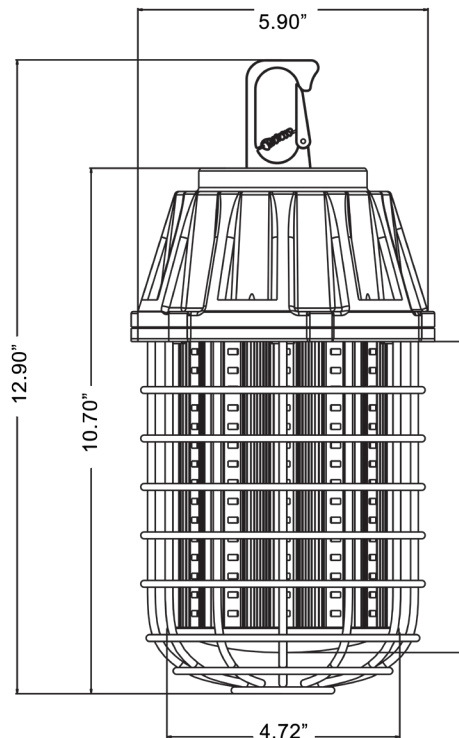
CL-CONST

TECHNICAL SPECIFICATIONS:

- :: Input voltage: 120V AC, 50/60Hz
- :: CCT: 5000K
- :: CRI: >80
- :: Chip: 676 LEDs, Epistar 2835
- :: Beam angle: 360°
- :: Operating Temp: 4°F~149°F
- :: 9.5 Ft. cord with 15A 3-Prong straight blade male plug

APPLICATIONS:

- :: Temporary lighting for construction sites
- :: An easy, portable, plug-in light for all applications
- :: A plug-in highbay light



C22

LED CONSTRUCTION/TEMPORARY LIGHT

LED CONSTRUCTION/TEMPORARY LIGHT

CATALOG NO.	WATTS	LUMENS	COLOR TEMP	BEAM ANGLE	DIMENSIONS
CL-CONST-100W-50K	100W	12000LM	5000K	360°	12.90" (L) x 5.90" (Dia)

CL-HB

TECHNICAL SPECIFICATIONS:

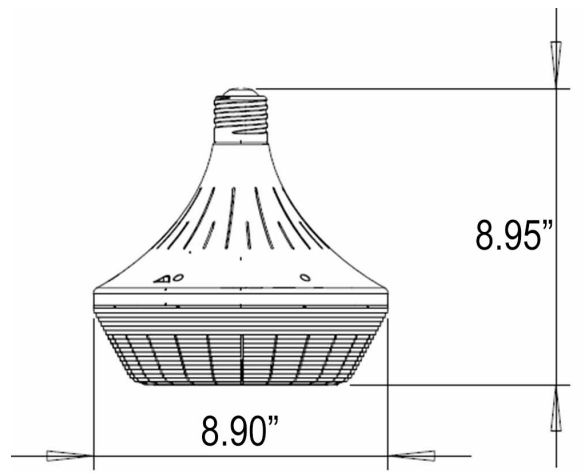
- ⌘ Input voltage: 120~277V AC
- ⌘ CCT: 5000K
- ⌘ CRI: 84
- ⌘ Lamp base: EX39 mogul base
- ⌘ Chip: Samsung LED chips with Rubycon driver
- ⌘ Beam angle: 12°
- ⌘ Equivalent to 600W HID
- ⌘ Operating Temp: 4°F~149°F

APPLICATIONS:

- ⌘ Ideal for retrofitting existing HID highbay, shoebox, flood light or wall pack fixtures
- ⌘ Can be used in enclosed luminaires



Bottom View



LED Highbay Retrofit Lamp

CATALOG NO.	WATTS	BASE	LUMENS	COLOR TEMP	REPLACEMENT RANGE	DIMENSIONS
CL-150W-50K-HB-EX39	150W	EX39	21000LM	5000K	50~100 MH	8.95" (L) x 8.90" (Dia)

C24

LED CONSTRUCTION/TEMPORARY LIGHT

A19



300° Omni (ES model)

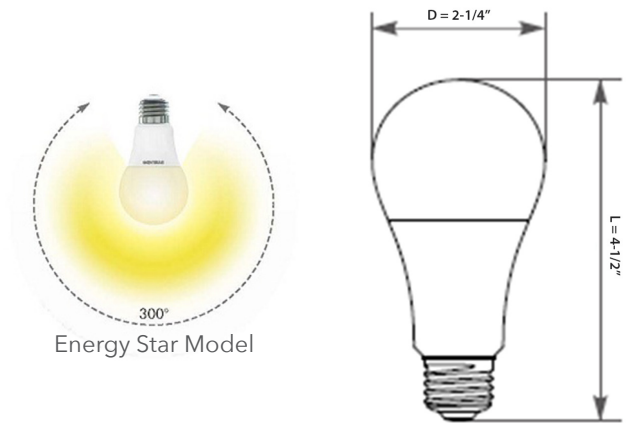


TECHNICAL SPECIFICATIONS:

- :: Lumens: 700LM (3000K) and 810LM (4000K & 5000K)
- :: Input Voltage: 120V AC/ 60Hz
- :: PF: 90% +
- :: CRI: >80
- :: Medium Base E26
- :: Lifespan: 15,000 Hours
- :: Dimmable using incandescent dimmers
- :: Dimension: 2-1/4" diameter, 4-1/2" height
- :: Operating Temp: -4~+113°F
- :: UL listed

FEATURES:

- :: Long life—reduced re-lamping cost
- :: Contains No Mercury
- :: Emits no UV/IR light
- :: 5-year warranty



A19 LED LAMPS

CATALOG NO.		WATTS	COLOR TEMP	LUMENS	BEAM
A19-8PK-9W-30K-D	8-PACK ECONOMY SERIES	9W	3000K	700LM	240°
A19-8PK-9W-40K-D		9W	4000K	810LM	240°
A19-8PK-9W-50K-D		9W	5000K	810LM	240°
A19-40PK-9W-30K-D	40-PACK ECONOMY SERIES	9W	3000K	700LM	240°
A19-40PK-9W-40K-D		9W	4000K	810LM	240°
A19-40PK-9W-50K-D		9W	5000K	810LM	240°

A21



300° Omni Beam Angle

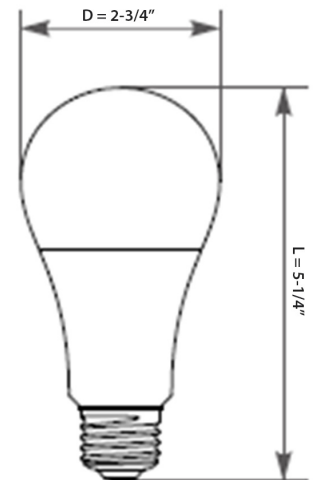


TECHNICAL SPECIFICATIONS:

- ⌘ Lumens: 1100LM (3000K) and 1150LM (5000K)
- ⌘ Watts: 13 watts
- ⌘ Voltage: 120V AC/ 60Hz
- ⌘ PF: 90% +
- ⌘ CRI: >80
- ⌘ Beam Angle: 300°
- ⌘ Medium Base E26
- ⌘ Lifespan: 15,000 Hours
- ⌘ Dimmable using incandescent dimmers
- ⌘ Dimension: 2-3/4" diameter, 5-1/4" height
- ⌘ Operating Temp: -4~+113°F
- ⌘ UL listed

FEATURES:

- ⌘ Long life—reduced re-lamping cost
- ⌘ Contains No Mercury
- ⌘ Emits no UV/IR light
- ⌘ 5-year warranty



C26

A21 LED LAMPS

A21 LED LAMPS

CATALOG NO.	WATTS	COLOR TEMP	LUMENS	BEAM
A21-13W-30K-D	13W	3000K	1100LM	300°
A21-13W-50K-D	13W	5000K	1150LM	300°

PAR20 WET LOCATION



40° Beam Angle

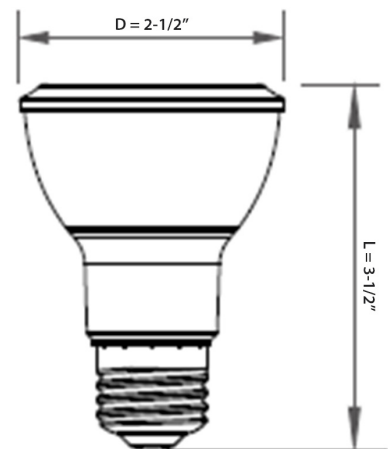


TECHNICAL SPECIFICATIONS:

- :: Lumens: 550LM & 600LM
- :: Watts: 7W
- :: Voltage: 120V AC/ 60Hz
- :: PF: 90% +
- :: CRI: 90
- :: COB
- :: Aluminum housing
- :: Beam Angle: 40°
- :: Base: E26
- :: Lifespan: 25,000 Hours
- :: Dimmable
- :: Dimension: 2-1/2" diameter, 3-1/2" height
- :: Operating Temp: -4~+113°F
- :: UL listed
- :: Wet Location

FEATURES:

- :: Long life—reduced re-lamping cost
- :: Contains No Mercury
- :: Emits no UV/IR light
- :: 5-year warranty



PAR20 LED LAMPS

CATALOG NO.	WATTS	COLOR TEMP	LUMENS	BEAM
PAR20-7W-30K-D	7W	3000K	550LM	40°
PAR20-7W-50K-D	7W	5000K	600LM	40°

PAR30
WET LOCATION



SHORT NECK



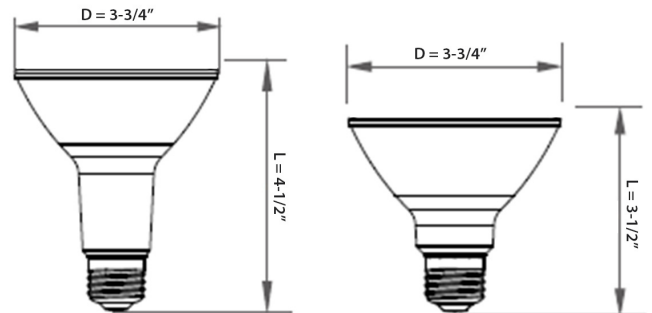
LONG NECK

TECHNICAL SPECIFICATIONS:

- :: Watts: 10W
- :: Lumens: 800LM & 900LM
- :: Voltage: 120V A/C 60Hz
- :: PF: ≥0.8
- :: Color: 3000K (Warm white) and 5000K (Cool white)
- :: CRI: 90
- :: COB
- :: Aluminum housing
- :: Beam Angle: 40°
- :: Base: E26
- :: Lifespan: 25,000 Hours
- :: Dimmable
- :: Operating Temp: -4~+113°F
- :: UL listed
- :: Wet Location

FEATURES:

- :: Long life—reduced re-lamping cost
- :: Contains No Mercury
- :: Emits no UV/IR light
- :: 5-year warranty



C28

PAR30 LED LAMPS

PAR30 LED LAMPS

CATALOG NO.	WATTS	COLOR TEMP	LUMENS	BEAM
PAR30-SN-10W-30K-D	10W	3000K	800LM	40°
PAR30-SN-10W-50K-D	10W	5000K	900LM	40°
PAR30-LN-10W-30K-D	10W	3000K	800LM	40°
PAR30-LN-10W-50K-D	10W	5000K	900LM	40°

PAR38 WET LOCATION



C29

PAR38 LED LAMPS

40° Beam Angle

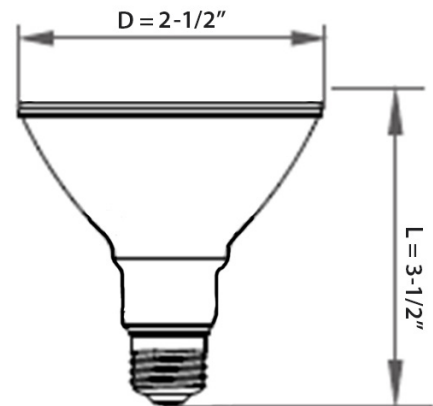


TECHNICAL SPECIFICATIONS:

- :: Watts: 13W
- :: Lumens: 1200LM
- :: Voltage: 120V A/C 60Hz
- :: PF: ≥0.8
- :: CRI: 90
- :: COB
- :: Aluminum housing
- :: Beam Angle: 40°
- :: Base: E26
- :: Lifespan: 25000 Hours
- :: Dimmable
- :: Dimension: 2-1/2" diameter, 3-1/2" height
- :: Operating Temp: -4~+113°F
- :: UL listed
- :: Wet Location

FEATURES:

- :: Long life—reduced re-lamping cost
- :: Contains No Mercury
- :: Emits no UV/IR light
- :: 5-year warranty



PAR38 LED LAMPS

CATALOG NO.	WATTS	COLOR TEMP	LUMENS	BEAM
PAR38-13W-30K-D	13W	3000K	1100LM	40°
PAR38-13W-50K-D	13W	5000K	1200LM	40°

BR

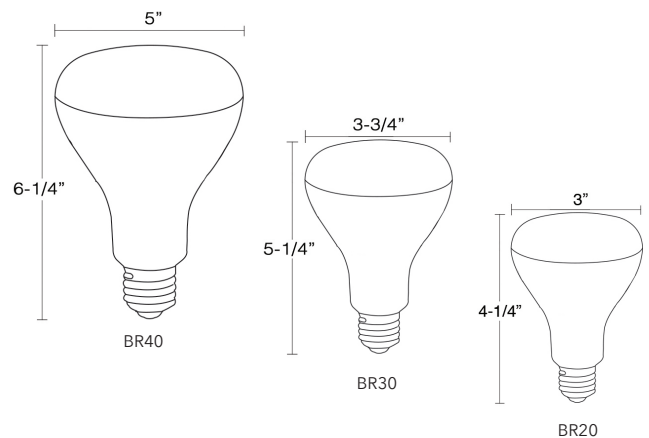


TECHNICAL SPECIFICATIONS:

- :: Watts: 7.5W (BR20), 9W (BR30) and 17W (BR40)
- :: Lumens: 525LM (7.5W), 680LM (9W), 1350~1400LM (17W)
- :: Voltage: 120V A/C 60Hz
- :: PF: ≥0.8
- :: Color: 3000K (Warm White) & 5000K (Cool White)
- :: SMD technology for harmonious output
- :: Aluminum housing
- :: CRI: >80
- :: Beam Angle: 120°
- :: Base: E26
- :: Lifespan: 35000 Hours
- :: Dimmable
- :: Operating Temp: -4~+113°F
- :: UL listed

FEATURES:

- :: Long life—reduced re-lamping cost
- :: Contains No Mercury
- :: Emits no UV/IR light



BR SERIES

CATALOG NO.	WATTS	COLOR TEMP	LUMENS	BEAM	DIMENSION
BR20-7W-30K-D	7.5W	3000K	525LM	120°	3"(dia) X 4-1/4"(H)
BR20-7W-50K-D	7.5W	5000K	525LM	120°	
BR30-9W-30K-D	9W	3000K	680LM	120°	3-3/4"(dia) X 5-1/4"(H)
BR30-9W-50K-D	9W	5000K	680LM	120°	
BR40-17W-30K-D	17W	3000K	1350LM	120°	5"(dia) X 6-1/4"(H)
BR40-17W-50K-D	17W	5000K	1400LM	120°	

MR16-400L

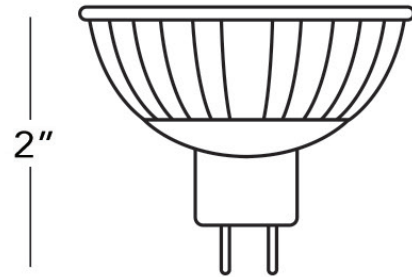
12V

TECHNICAL SPECIFICATIONS:

- :: Watts: 5W
- :: Input Voltage: 12V AC/DC
- :: Lumens: 400LM
- :: CRI: >80
- :: Beam spread: 36°
- :: Base: GU5.3
- :: Life span: 25,000 hours
- :: Dimmable with magnetic ballast only
- :: Dimension: 2-1/2" diameter, 3-1/2" height
- :: ETL -listed
- :: Operates on both electronic or magnetic transformers

FEATURES:

- :: Compact design same size as halogen MR16 lamps
- :: Emits no UV/IR light
- :: 3-year warranty



LED MR16 LAMPS

CATALOG NO.	WATTS	COLOR TEMP	LUMENS	BEAM
MR16-400L-27K-D*	5W	2700K	380LM	36°
MR16-400L-30K-D*	5W	3000K	380LM	36°
MR16-400L-41K-D*	5W	4100K	390LM	36°
MR16-400L-50K-D*	5W	5000K	400LM	36°

*Dimmable with magnetic ballast only

C31 LED MR16 LAMPS

MR16-500L

12V

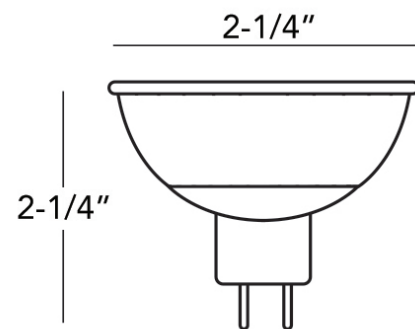
TECHNICAL SPECIFICATIONS:

- :: Voltage: 12 Volts AC or DC
- :: Wattage: 7W
- :: Heat sink: die-cast aluminum with heat dissipation fins for superior thermal management
- :: Replaces 65W halogen
- :: Beam spread: 38°
- :: Base: GU5.3
- :: CRI: 80
- :: Color temperature: cool white (CW = 5000K), warm white (WW = 3000K)
- :: Rated life: 30,000 hours
- :: Dimmable with magnetic ballast only
- :: Operates on both electronic or magnetic transformers
- :: Ideal for restaurants, retail stores, showrooms and residential applications. Especially suited for areas where accessing the fixture is costly.



FEATURES:

- :: Compact design same size as halogen MR16 lamps
- :: Emits no UV/IR light
- :: 3-year warranty



LED MR16 LAMPS

CATALOG NO.	WATTS	COLOR TEMP	LUMENS	BEAM
MR16-500L-30K-D	7W	3000K	500LM	36°
MR16-500L-50K-D	7W	5000K	560LM	36°

G10

120V

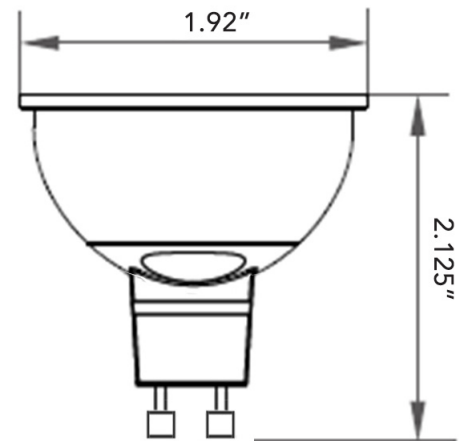
TECHNICAL SPECIFICATIONS:



- :: GU10 Base
- :: Watts: 7.5 watts
- :: Input Voltage: 120V 60Hz 65mA
- :: Lumens: 600LM
- :: PF: 0.9%
- :: CRI: >83
- :: Beam angle: 300°
- :: Dimmable
- :: Dimension: 1.92" diameter, 2.125" height
- :: UL listed
- :: Power Factor: 9
- :: Suitable for damp locations

FEATURES:

- :: Long life—reduced re-lamping cost
- :: Contains No Mercury
- :: Emits no UV/IR light
- :: 3-year warranty



HIGH POWER GU10

CATALOG NO.	WATTS	COLOR TEMP	LUMENS	BEAM
G10-500L-30K-D	7.5W	3000K	500LM	300°
G10-600L-50K-D	7.5W	5000K	600LM	300°

C33

HIGH POWER GU10

PAR36

12V

TECHNICAL SPECIFICATIONS:

- :: Damp location rated for enclosed fixtures
- :: Voltage: 12 Volts AC or DC
- :: Lumens: 800LM
- :: Watts: 10 watts
- :: Voltage: 120V AC/ 60Hz
- :: PF: 90% +
- :: CRI:90
- :: COB
- :: Aluminum housing
- :: Beam Angle: 50°
- :: Base: GU53
- :: Lifespan: 25,000 Hours
- :: Dimmable
- :: Operating Temp: -4~+113°F
- :: Damp Location

FEATURES:

- :: Long life—reduced re-lamping cost
- :: Contains No Mercury
- :: 5-year warranty



C34

PAR36 LED LAMPS

PAR36 LED LAMPS

CATALOG NO.	WATTS	COLOR TEMP	LUMENS	BEAM
PAR36-10W-30K	10W	3000K	500LM	40°
PAR36-10W-40K	10W	4000K	800LM	40°
PAR36-10W-50K	10W	5000K	600LM	40°

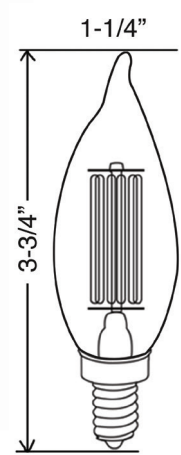
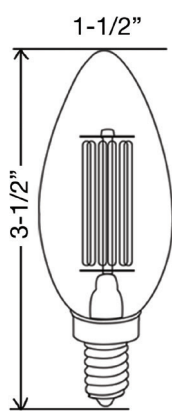
E12-FLA

REPLACES
40W
INCANDESCENT

30,000
HOURS

C35

LED CANDELABRA



TECHNICAL SPECIFICATIONS:

- :: Voltage: 110-130V
- :: Watts: 5W
- :: Lumens: 500~600LM
- :: Color: 2700K and 4000K
- :: CRI: >80
- :: Beam Angle: 360°
- :: Base: E12 Candelabra
- :: Lifespan: 30,000 Hours
- :: Dimmable: 10-100%
- :: Color Temp: 2700K and 4000K
- :: Power factor: 0.85
- :: E12 base

FEATURES:

- :: Long life—reduced re-lamping cost
- :: Contains no mercury
- :: Emits no UV/IR light
- :: 3-year warranty



LED CANDELABRA

CATALOG NO.	WATTS	COLOR TEMP	LENS	LUMENS	BEAM	DIMENSION
E12-FLA-5W-27K-D	4W	2700K	Clear	330LM	360°	1-1/2"(dia) x 3-1/2"(H)
E12-FLA-5W-40K-D	4W	4000K	Clear	330LM	360°	
E12-FLA-5W-27K-D-F-BT	4W	2700K	Frosted Inside	330LM	360°	1-1/4"(dia) x 3-1/4"(H)
E12-FLA-5W-40K-D-F-BT	4W	4000K	Frosted Inside	330LM	360°	

A19-FLA

30,000
HOURS

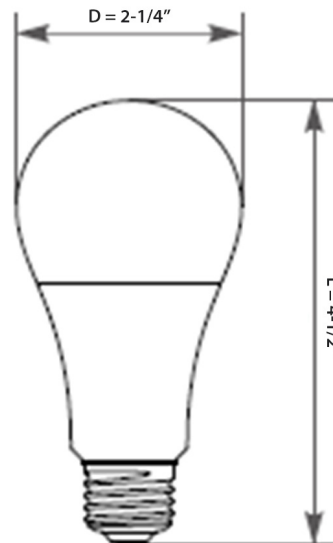


TECHNICAL SPECIFICATIONS:

- :: Voltage: 120V
- :: Watts: 7W
- :: Lumens: 800LM
- :: CRI: >80
- :: Beam Angle: 360°
- :: Base: E26 Medium
- :: Lifespan: 30,000 Hours
- :: Dimmable: 10-100%
- :: Dimension: 3-1/2" x 1-1/2"
- :: Power factor: Ra>80
- :: Clear glass finish

FEATURES:

- :: Long life—reduced re-lamping cost
- :: Contains no mercury
- :: Emits no UV/IR light
- :: 5-year warranty



C36

A19 LED FILAMENT BULB

A19 LED FILAMENT BULB

CATALOG NO.	WATTS	COLOR TEMP	LUMENS	BEAM	DIMENSION
A19-FLA-7W-27K-D	7W	2700K	800LM	360°	2-1/2"(dia) x 4-1/4"(H)
A19-FLA-7W-40K-D	7W	4000K	800LM	360°	

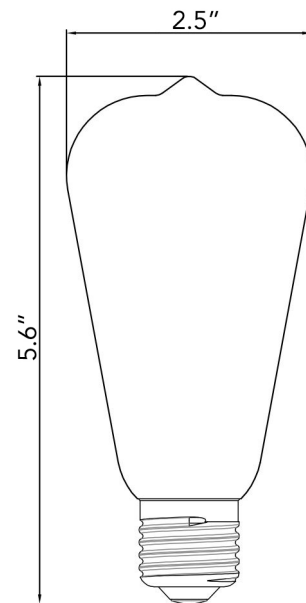
ST19-FLA

TECHNICAL SPECIFICATIONS:

- :: Voltage: 120V
- :: Watts: 5W
- :: Lumens: 700-850LM
- :: CRI: >80
- :: Beam Angle: 360°
- :: Base: E26 Medium
- :: Lifespan: 30,000 Hours
- :: Dimmable: 10-100%
- :: Dimension: 3-1/2" x 1-1/2"
- :: Power factor: Ra>80
- :: Clear & Amber glass finish

FEATURES:

- :: Long life—reduced re-lamping cost
- :: Contains no mercury
- :: Emits no UV/IR light
- :: 5-year warranty



ST19 LED FILAMENT BULB

CATALOG NO.	WATTS	COLOR TEMP	LUMENS	BEAM	DIMENSION
ST19-FLA-5W-27K-D-CL	5W	2700K	700LM	360°	2-1/2"(dia) x 4-1/4"(H)
ST19-FLA-5W-22K-D-AM	5W	2200K (LED Component 2700K)	800~850LM	360°	

GZ

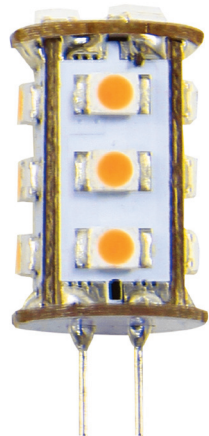


TECHNICAL SPECIFICATIONS:

- ⋮ Replace existing halogen or incandescent lamps
- ⋮ Increase life expectancy 15 to 20 times over halogen
- ⋮ Improve efficiency by over 400%
- ⋮ Save money by reducing transformer and wire size
- ⋮ Reduce maintenance cost by 500%
- ⋮ CRI 82
- ⋮ Efficiency 60 + lumens per watt



GZ-JC-39L-27K
GZ-JC-39L-30K
JC G4 base



120V

GZ-JC-18L-27K
GZ-JC-18L-32K
JC G4 base

GZ-JC-WP-3W-32K
JC G4 base

GZ-S8-32K
Single Contact
bayonet base
(BA15s)

GZ-G4-9L-32K
JC G4 base

GZ-G9-3W-32K
GZ-G9-3W-55K
G9 base

LED REPLACEMENT LAMPS

CATALOG NO.	WATTS	BASE	COLOR TEMP	LUMENS	VOLTAGE
GZ-JC-39L-27K	3W	JC G4	2700K	250LM	12V AC/DC
GZ-JC-39L-30K	3W	JC G4	3000K	250LM	12V AC/DC
GZ-JC-18L-27K	3W	JC G4	2700K	250LM	12V AC/DC
GZ-JC-18L-32K	3W	JC G4	3200K	250LM	12V AC/DC
GZ-JC-WP-3W-32K	3W	JC G4	3200K	180LM	12V AC/DC
GZ-S8-32K	1.4W	BA15s	3200K	70LM	12V AC/DC
GZ-G4-9L-32K	2W	JC G4	3200K	120LM	12V AC/DC
GZ-G9-3W-32K	3W	G9	3200K	240LM	110~240V
GZ-G9-3W-55K	3W	G9	5500K	250LM	110~240V

PAR38-RGB

120V

TECHNICAL SPECIFICATIONS:

Get up to 20 different color variances using this RGB Par38. The light can also be dimmed using the remote control which is included in the package. You can also jump or fade 3 or 7 colors using the designated preset buttons.

Ideal to spotlight places where a colorful torch is needed such as displays, creative and modern showcasing on products.

Mercury lamp restarts to previous settings after power off.



PAR38-12-RGB with remote



PAR38 RGB LAMP WITH REMOTE

PAR38 RGB LAMP WITH REMOTE

CATALOG NO.	WATTS	COLOR TEMP	LUMENS	VOLTAGE	BEAM ANGLE
PAR38-12-RGB	12W	RGB	600LM	120V	45°

MR16-RGB

12V

TECHNICAL SPECIFICATIONS:

Get up to 20 different color variances using this RGB Par38. The light can also be dimmed using the remote control which is included in the package. You can also jump or fade 3 or 7 colors using the designated preset buttons.

Ideal to spotlight places where a colorful torch is needed such as displays, creative and modern showcasing on products.



MR16-5W-RGB
with remote



C40

MR16 RGB LAMP WITH REMOTE

MR16 RGB LAMP WITH REMOTE

CATALOG NO.	WATTS	COLOR TEMP	LUMENS	VOLTAGE	BEAM ANGLE
MR16-5W-RGB	5W	RGB	280LM	12V	30°

