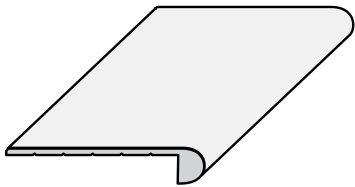


FINISH THE JOB RIGHT

Get coordinating trim, molding, and now **full stair treads**.

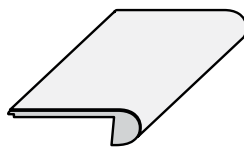


Power Dekor has coordinating molding in-stock for our top luxury vinyl collections. Available for **Pivotal**, **Bellevue**, and **Grandiose** collections. All pieces shown are constructed with a WPC core, matching décor film, and wear layer.

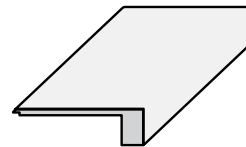


STAIR TREAD
47.2" L x 12" W x 1.2" H

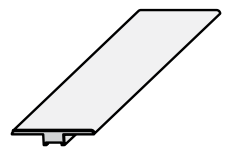
No side covers available for this tread model type.



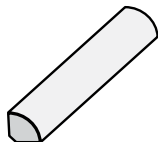
ROUNDED FLUSH STAIR NOSE*
94" L x 4.6" W x 1" H
**Not Available for Grandiose*



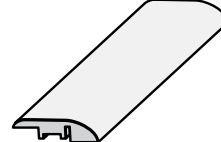
SQUARED FLUSH STAIR NOSE
94" L x 4.6" W x 1" H



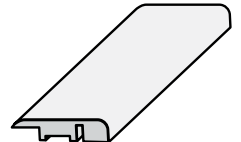
T-MOLDING
94" L x 1.8" W x 0.4" H



QUARTER ROUND
94" L x 0.8" W x 0.6" H

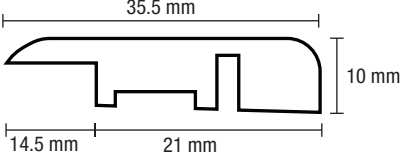
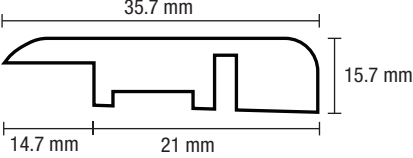
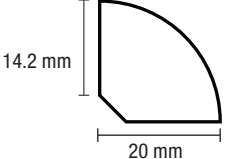
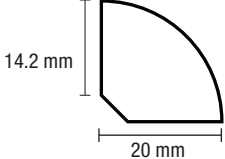
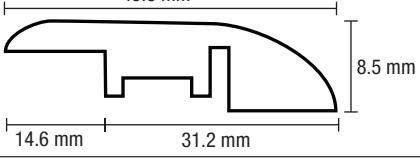
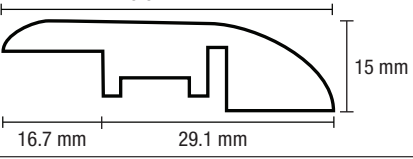
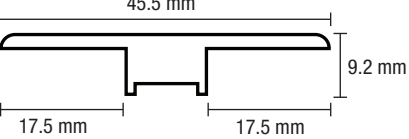
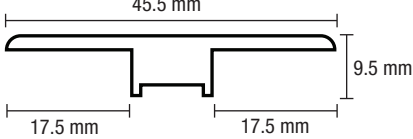
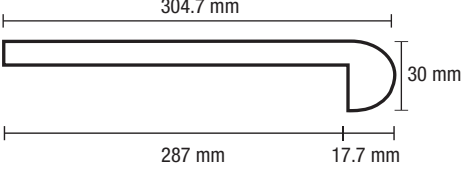
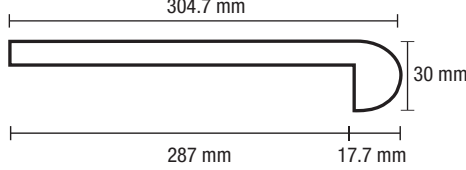
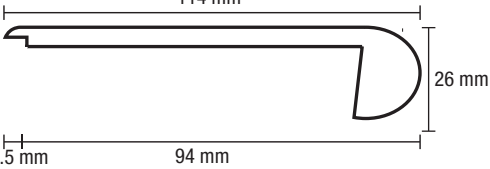
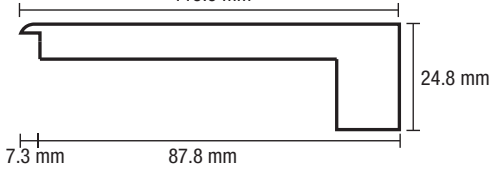
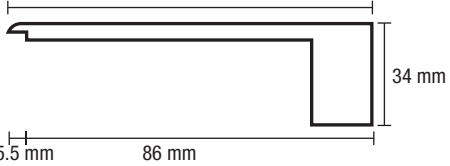
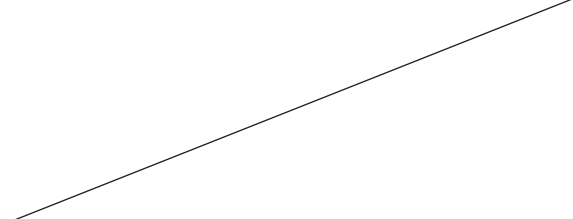


HARD SURFACE REDUCER
94" L x 1.8" W x 0.6" H



CARPET REDUCER
94" L x 1.4" W x 0.6" H

TRIM & TRANSITION DIMENSIONS

COLLECTIONS Pivotal, Bellevue, Relentless	COLLECTIONS Grandiose
<p>Carpet Reducer/End Cap</p> 	<p>Carpet Reducer/End Cap</p> 
<p>Quarter Round</p> 	<p>Quarter Round</p> 
<p>Hard Surface Reducer</p> 	<p>Hard Surface Reducer</p> 
<p>T-Molding</p> 	<p>T-Molding</p> 
<p>Stair Tread</p> 	<p>Stair Tread</p> 
<p>Round Flush Stair Nose</p> 	<p>Square Flush Stair Nose</p> 
<p>Square Flush Stair Nose</p> 	

Note: All figures are nominal. There may be slight minimal variation from the printed measurements.