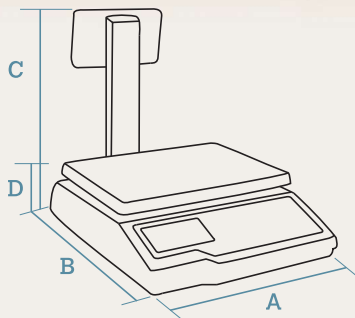


G-325 model



Dimensions



DATA IN mm

A	320
B	400
C	356
D	116

Plate dimensions: L305 x W235 mm.
 Weight with packaging: 6.0 kg.



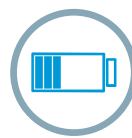
LCD
 SEGMENT
 DISPLAY



UP TO
 100 PLUs



RS-232



INTERNAL
 RECHARGEABLE
 BATTERY
 IN G-325 B F/P



METROLOGICAL
 VERIFICATION
 OPTIONAL (EU)