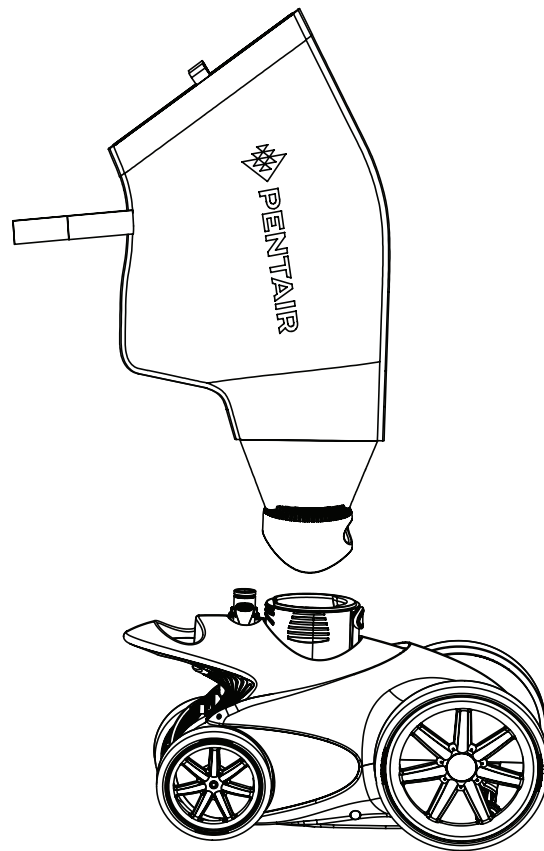




RACER[®]

PRESSURE SIDE POOL CLEANER



INSTALLATION AND USER'S GUIDE

IMPORTANT SAFETY INSTRUCTIONS
READ AND FOLLOW ALL INSTRUCTIONS
SAVE THESE INSTRUCTIONS

ENGLISH 1

ESPAÑOL 17

FRANÇAIS 37

CUSTOMER SERVICE / TECHNICAL SUPPORT

If you have questions about ordering Pentair Aquatic Systems replacement parts, and pool products, please contact:

Customer Service and Technical Support, USA

(8 A.M. to 5 P.M. — Eastern/Pacific Times)

Phone: (800) 831-7133

Fax: (800) 284-4151

Web site

Visit www.pentairpool.com or www.staritepool.com

Sanford, North Carolina (8 A.M. to 5 P.M. ET)

Phone: (919) 566-8000

Fax: (919) 566-8920

Moorpark, California (8 A.M. to 5 P.M. PT)

Phone: (805) 553-5000 (Ext. 5591)

Fax: (805) 553-5515

TABLE OF CONTENTS

Important Warning and Safety Instructions	ii	Maintenance	10
Important Information	1	Wall Fitting Screen	10
Cleaner Components	1	Tires	10
Overview	1	Roller Rings	10
Installation	2	Debris Bags	10
Booster Pump Installation	2	Sweep Hose	10
Installing the Wall Fitting and Adapter	2	Backwashing the Pool Filter	10
Setting the Water Flow to Cleaner	2	Storage and Winterizing	10
Calculating Cleaner Speed/RPM	3	Replacement Parts	12
Adjusting the Hoses to Fit Pool	4	Parts List	13
Assembling the Cleaner	6	Troubleshooting	14
Using the Cleaner	6	Steep Vinyl Liner Transitions	16
Cleaner Adjustments and Operation	7		
Cleaner Operation	7		
Adjusting the Thrust Jet	7		
Cleaning the Debris Bag	8		
Adjusting the Sweep Hose Regulator	9		

© 2017 Pentair Water Pool and Spa, Inc. All rights reserved.

This document is subject to change without notice.

1620 Hawkins Ave., Sanford, NC 27330 • (919) 566-8000

10951 West Los Angeles Ave., Moorpark, CA 93021 • (805) 553-5000

All Pentair trademarks and logos are owned by Pentair or one of its global affiliates. Pentair Aquatic Systems®, Night Cruize® and RACER® are trademarks and/or registered trademarks of Pentair Water Pool and Spa, Inc. and/or its affiliated companies in the United States and/or other countries. Unless expressly noted, names and brands of third parties that may be used in this document are not used to indicate an affiliation or endorsement between the owners of these names and brands and Pentair Water Pool and Spa, Inc. Those names and brands may be the trademarks or registered trademarks of those third parties. Because we are continuously improving our products and services, Pentair reserves the right to change specifications without prior notice. Pentair is an equal opportunity employer.

P/N 371004 Rev. D 3/30/17

IMPORTANT WARNING AND SAFETY INSTRUCTIONS




Important Notice:

Attention Installer: This guide contains important information about the installation, operation and safe use of this product. This information should be given to the owner and/or operator of this equipment after installation of the pool cleaner.

Attention User: This manual contains important information that will help you in operating and maintaining this pool cleaner. Please retain it for future reference. Consult Pentair with any questions regarding this equipment.

WARNING Before installing this product, read and follow all warning notices and instructions which are included. Failure to follow safety warnings and instructions can result in severe injury, death, or property damage. Call (800) 831-7133 for additional free copies of these instructions.

Consumer Information and Safety

This pool cleaner is designed and manufactured to provide many years of safe and reliable service when installed, operated and maintained according to the information in this manual. Throughout the manual, safety warnings and cautions are identified by the “

WARNING **HAZARDOUS SUCTION.** Do not play with cleaner or hose or apply to body. Can trap and tear hair or body parts. Hose can trip or entangle swimmers which could result in drowning.



WARNING **SUCTION ENTRAPMENT, INJURY, AND DROWNING HAZARD.** If your pool has a dedicated suction port (“vac port”) for vacuuming or for an automatic pool cleaner, it must be covered when not in use. A spring loaded safety cover (a “vac port fitting”) is included with your cleaner. Install it on the suction port to prevent entrapment and injury. If the cover provided does not fit, purchase one that does from your local pool store and install it instead. The cover should conform to IAPMO SPS4-99A.

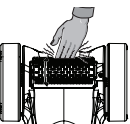


WARNING **Stop pump** before attempting to clean unit. Do not allow swimmers in pool while pool cleaner is operating.

WARNING To reduce the risk of injury, do not let children use or play with pool cleaner.

WARNING Do not allow swimmers in the pool while pool cleaner is operating. Hose can trip or entangle swimmers which could result in drowning.

CAUTION Moving parts may injure hands or fingers. Stop pump before attempting to clean out pool cleaner head.



General Installation Information

Pre-Installation Check List

Before installing your cleaner, review and understand all warnings and safety information in this guide. Failure to follow these instructions or improper installation of the cleaner can result in damage to the pool finish or the vinyl liner. Most cleaners are not designed to traverse from floor to wall when the pool cove is 90%. There may be other structures installed in the pool that the cleaner cannot navigate, BE AWARE and supervise the cleaner during unique conditions. Pentair Aquatic Systems disclaims any liability for repairs or replacement to any of these structures or components of the customer's pool.

Before installing the cleaner in a vinyl liner pool:

Check liner closely for signs of deterioration or damage from age, chemicals, pool wall damage, etc. If any damage is found, have a qualified pool professional make all the necessary repairs. Also, if there are stones, roots, etc., under the liner, remove them before installing the cleaner.

Before installing the cleaner in a gunite pool or a pool that is partially or completely tiled:

Make sure pool finish is in proper condition as staining, etching, cracking or delaminating may worsen.

Repair loose tiles and tighten any loose light rings.

Before installing the cleaner, clean your filter system:

Make sure you have cleaned the filter, including backwashing, rinsing, and emptying all baskets. A clean system is necessary for proper cleaner operation and coverage.

Before installing the cleaner, understand cleaner coverage:

The cleaner is designed to rid your pool of debris in approximately 4-6 hours. Less time could be needed, depending on the pool size. The cleaner was not designed to automatically clean steps or swimouts, or to work under a solar cover. The cleaner may get stuck in these areas which can result in damage to the pool finish or vinyl liner. Pentair Aquatic Systems disclaims any liability for repairs or replacement to any of these structures or components of the consumer's pool. It was also not designed to do initial cleanup for a new pool or when opening your pool for the season.

AFTER installing the cleaner, make sure the cleaner is operating correctly:

The cleaner may need some minor adjustments to make sure it is operating properly so there is no damage to the pool finish. Certain vinyl liner patterns are particularly susceptible to surface wear, pattern removal, ink rubbing off of, or serious scratches to the pattern caused by objects coming into contact with the vinyl surface, including automatic pool cleaners. Pentair Aquatic Systems is not responsible for any pattern removal, abrasions or markings on vinyl liners. Periodically inspect the cleaner components and the cleaner performance to ensure it is operating as designed. Replace and/or repair any worn or damages components. Failure to follow instructions or improper installation of the cleaner may result in damage to the cleaner, pool finish or the vinyl liner.

Warnings and safety instructions for Pentair Aquatic Systems pumps and other related products are available at:
<http://www.pentairpool.com/support/product-warnings.html> or call (800) 831-7133 for additional free copies of these instructions.

Please refer to <http://www.pentairpool.com/support/product-warnings.html> for warning and safety instructions related to this product.

IMPORTANT WARNING AND SAFETY INSTRUCTIONS

Disclaimer of Liability About your Pool and Pressure Side Pool Cleaner

There are a multitude of factors that contribute to the life of your pool. The pool cleaner is a very passive product that will have no impact on pool life.

Please be aware that over time, deterioration, discoloration and brittleness of any pool finish can be caused separately by, or in combination with, age, an imbalance in pool water chemistry, improper installation and other factors. Pressure side pool cleaners will not remove or cause wear on “good” pool plaster. In fact, the opposite is true—pool plaster will eventually cause wear on the cleaner.

The same situation holds true for vinyl-lined in-ground swimming pools, because vinyl liners are also affected by the environment and factors such as pool water chemistry, sunlight and the pool’s surroundings. Therefore over time, vinyl can become brittle and weak. In addition, vinyl-lined pools are affected by the workmanship, composition and installation of the liner and the workmanship and quality of construction of the supporting walls and pool base. These are all factors which can contribute to liner failure. The existence of any of these type of conditions in your pool is not caused by the use or operation of the pool cleaner. The manufacturer disclaims any liability for repairs or replacement to any of these structures or components of the customer’s pool.

The pool owner must assume all responsibility for the condition and maintenance of the pool’s surface, water and deck.

Before the cleaner is installed, please take a moment to record the serial number. This number is located on your warranty card and on the back of the cleaner near the rear jets. You will be asked for this number when you contact our Technical Support Department.

SERIAL # _____

SAVE THESE INSTRUCTIONS

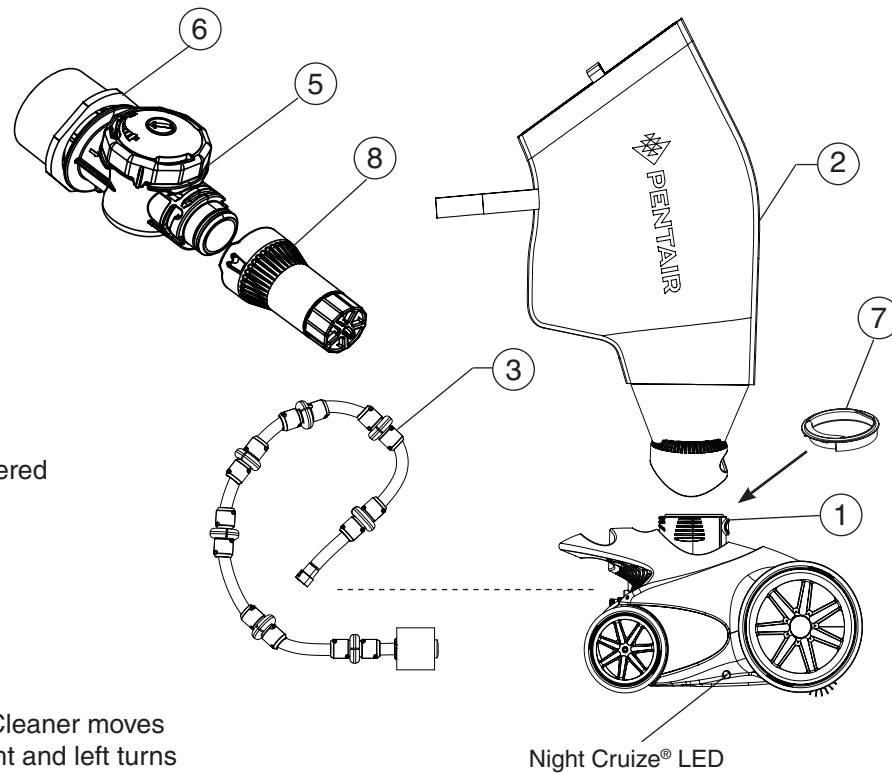
OVERVIEW

Cleaner Components

1. RACER Cleaner Head
2. Debris Bag
3. Sweep Hose (not needed in most pools)
4. Feed Hose Assembly - Not shown (3-10 ft. [3 m.] sections)
5. Wall Fitting
6. Wall Adapter
7. Debris Seal
8. Flow Gauge

Note: The cleaner system is delivered with debris seal installed inside of cleaner head.

8. Flow Gauge



Overview

The RACER® Pressure Side Pool Cleaner moves through a sequence of straight, right and left turns helping to increase pool coverage, vacuuming and scrubbing your entire pool.

- For continuous uninterrupted cleaning, the cleaner will go into reverse mode about every two minutes, which allows it to efficiently clean the entire pool.

Note: Before you install and operate your cleaner, read through these important guidelines:

1. Always disconnect the cleaner from the pool wall when cleaning or back washing the pool filter.
2. After cleaning or back washing the filter, let the filtration system run for at least five minutes before reconnecting the cleaner.
3. New plumbing lines should be flushed out before installing the cleaner.
4. The cleaner should not be used to remove plaster dust in new pools.
5. Always remove the cleaner before swimmers enter the pool.
6. Always handle the cleaner with care.
7. Always pick up the cleaner by the handle, especially when lifting the unit out of the water.
8. Do not handle the cleaner while it is operating.
9. Always remove the cleaner from the pool before chemical shock treatments (super chlorinate). As a rule, any pool water that is unsafe for swimming is unsafe for the cleaner.
10. Carefully cut the feed hose following the instructions on page 4.
11. By following these simple guidelines, you can help protect against injury and prolong the life of your cleaner.
12. Refer to "Important Warning And Safety Instructions" on pages ii - iii for additional installation and safety information.
13. Before you install your RACER pool cleaner: If there is a chlorinator, solar system, ozone generator or air inducing equipment installed, contact Technical Support at 1-800-831-7133.

INSTALLATION

Booster Pump Installation

Please refer to the instructions included with your booster pump for installation information.

Please follow these instructions carefully.

Installing the Wall Fitting and Wall Adapter

1. Remove and disconnect any existing pool cleaner and/or wall fitting.
2. Switch **on** the filtration pump and booster pump, to flush out the plumbing line.
3. Switch **off** filter pump and booster pump.
4. Insert wall fitting adapter into the dedicated 1-1/2" NPT threaded return line. Hand tighten until snug. **See figure 1.**
5. Align wall fitting with the quick lock pegs inside the wall adapter. Push the wall fitting into the wall adapter until it bottoms out. Twist 1/4 turn clockwise to lock the wall fitting. **Pull gently outward to engage quick lock pegs. See figure 1.**

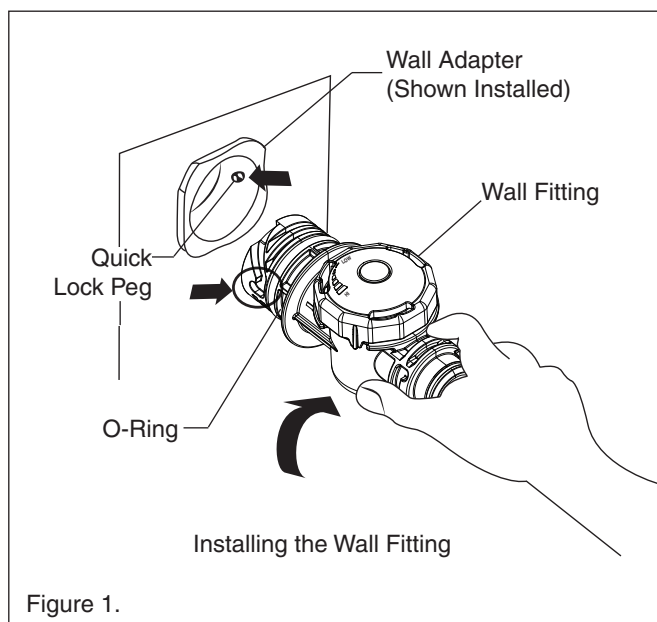


Figure 1.

Setting the Water Flow to the Cleaner

IMPORTANT! Before starting this procedure be sure to switch off the filter pump and booster pump.

1. Attach the flow gauge to the wall fitting by aligning the two tabs on the flow gauge with the grooves in the wall fitting. **See figure 2.** Push and turn the flow gauge clockwise until it stops, then slightly pull it out away from the wall. Be sure the flow gauge is securely locked in place by turning it counterclockwise while slightly pulling out on the flow gauge. **See figure 3.**

Note: Flow gauge will not turn when locked in place.

2. Switch on the filter pump and then the booster pump.
3. Verify the white plunger (inside the flow gauge) is aligned within the box on the flow gauge. **See figure 4.**
4. Adjust the valve on the wall fitting using a flathead screwdriver by turning the valve clockwise (to reduce flow) or counter-clockwise (to increase flow) so that the white plunger aligns with the arrows on the flow gauge markings. **See figure 5.**
5. Switch off the booster pump and then the filter pump.
6. Remove the flow gauge from the wall fitting by pushing in and turning counterclockwise and pulling the gauge out.
7. Attach the hose assembly to the wall fitting. Turn clockwise then push in one quarter turn to secure in place (as described in Step 1).

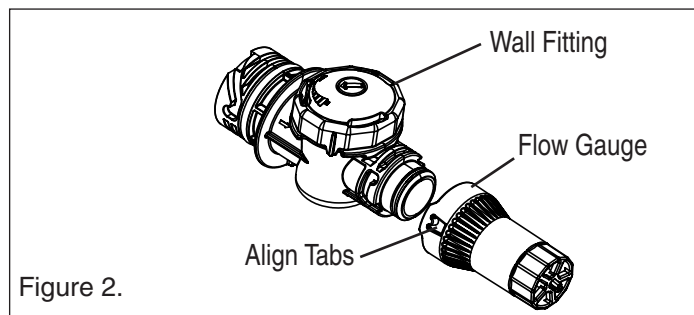


Figure 2.

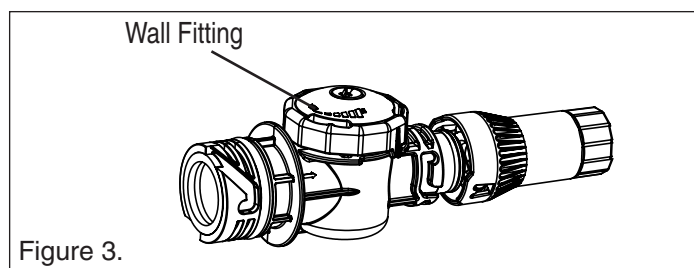


Figure 3.

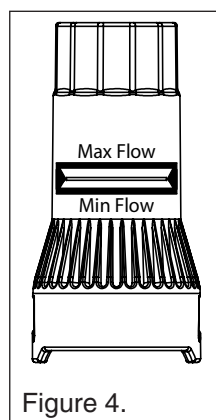


Figure 4.

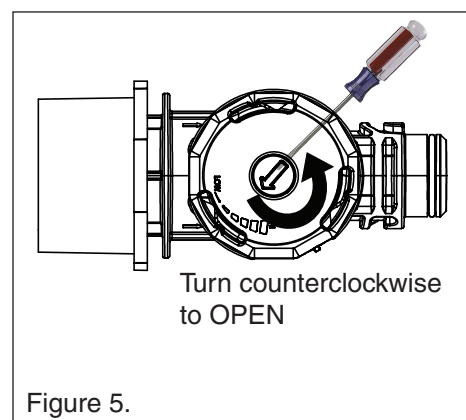


Figure 5.

Calculating Cleaner Speed/RPM

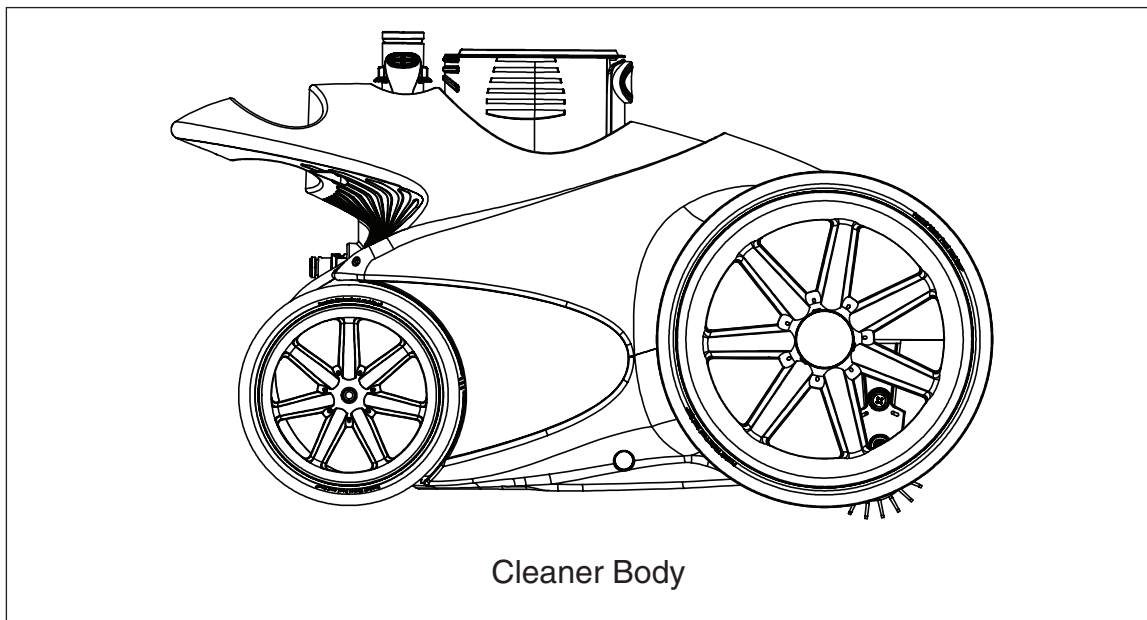
1. To determine whether the RACER® Pressure Side Pool Cleaner is receiving the proper water pressure, turn off the pool pump, and carefully remove the cleaner from the pool.
2. Mark the front tire/wheel with a marker, such as a blade of grass stuck under the tire.
3. Have someone restart the pool pump and booster pump while you place the cleaner just beneath the pool's water surface.

Note: Be sure to hold onto the sweep hose (if installed) to avoid getting wet, as flow will return to the sweep hose regulator when the pump is restarted.
4. Count the number of full rotations made by the marked wheel over a period of one minute. The number of rotations will give you the revolutions per minute; or RPM's.

Note: Be sure that the back-up valve isn't cycling at this time.
5. For proper performance, the RACER cleaner operates between 31 - 33 RPM's with a sweep hose installed and 33 - 36 RPM's without a sweep hose.

If the RPM is below 31 with a sweep hose installed, or below 33 without a sweep hose, then call your local Pool Professional or contact Pentair's Technical Support Department at 1-800-831-7133.

If the RPM is higher than 33 with a sweep hose installed, or higher than 36 without a sweep hose, at the wall fitting adjust the valve, as described under "Setting the Water Flow to the Cleaner" on page 2, until the RPM falls back into the optimal range.



Adjusting the Hose Assembly to Fit Pool

The hose assembly consists of: Three (3) 10 ft. [3 meters] sections, one (1) soft light grey lead hose marked as section one and two (2) stiffer dark grey feed hoses marked as sections two and three.

Important to the Performance of the Cleaner:

Measure, cut, and assemble the hose sections as described in Step 1 and Step 2. Use strong scissors or a sharp knife to cut the hoses. Be sure to slide the floats out of the way when cutting hose. Cut hose ends as straight as possible.

Step 1: Sizing Hose Section 1

1. Measure the deepest part of the pool. **See figure 6.**

Note: The grate or domed main drain, at the bottom of the pool, is usually the deepest point. *If the depth is greater than 10 ft. [3 meters], do not cut the hose, and proceed to Step 2.*

2. If the pool depth is less than 10 ft. [3 meters], disconnect the soft light grey lead hose, labeled section one, from the swivel end. Cut the lead hose so the length is equal to the deepest part of the pool. **See figure 7.**

Example: *If the pool is 8.5 ft. [2.6 meters] deep, cut 1.5 ft. [.5 meters] off of the hose labelled section one (since the hose is 10 ft. [3 meters]).*

3. Discard excess hose. Reconnect the newly cut lead hose to the swivel on the feed hose. All three hose sections should now be connected.

Step 2: Sizing Hose Sections 2 and 3

1. Attach the hose assembly to the wall fitting. **See figure 8.** Then attach the wall fitting (with hose) to the wall adaptor. **See figure 8.** Take the opposite end of the hose assembly and walk to the farthest point of the pool from the wall adaptor. **To prevent over stretching the hose, rest the hose on top of the pool water.** Measure the excess hose length (hose that extends beyond pool edge). This determines the amount of hose to be cut from sections 2 and 3.
2. Disconnect feed hose assembly from the wall adaptor. Disconnect sections 2 and 3 from the first swivel closest to the wall fitting.
3. Cut half of the total excess hose length from each hose labeled section 2 and section 3 (assembled with four floats) equally. **Both feed hose sections should be the same length after cutting.**

Example: *If there is 6 ft. [1.8 meters] of excess hose. Cut 3 ft. [.9 meters] off of section 2 and section 3. (Half of 6 ft. [1.8 meters] = 3 ft. [.9 meters] each)*

If more than 3 ft. [.9 meters] is cut from each hose section, remove one (1) float from each hose section.

Note: For large pools requiring extra hose lengths you will need to purchase one (1) additional hose, P/N 360266 (10 ft. [3 meters] single hose). Attach extra hose sections at the wall fitting using supplied swivel and mender nuts.

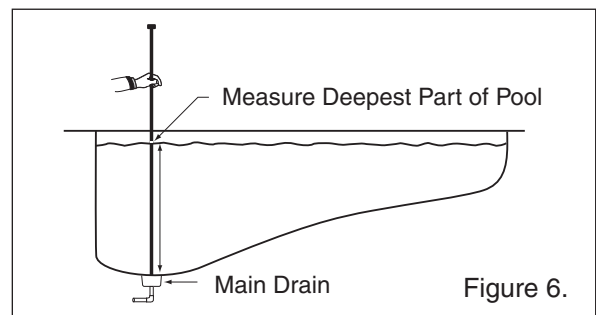


Figure 6.

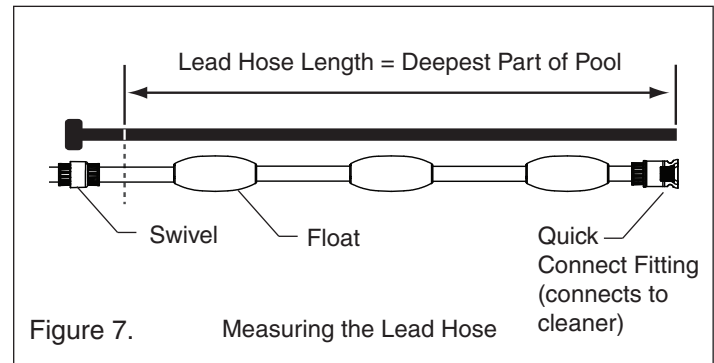


Figure 7.

Measuring the Lead Hose

Quick Connect Fitting (connects to cleaner)

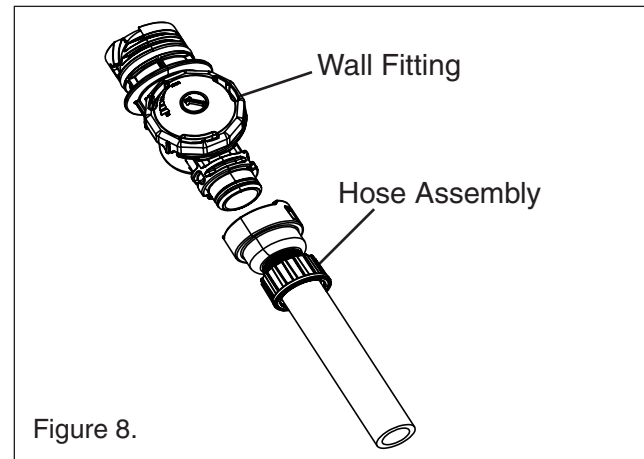


Figure 8.

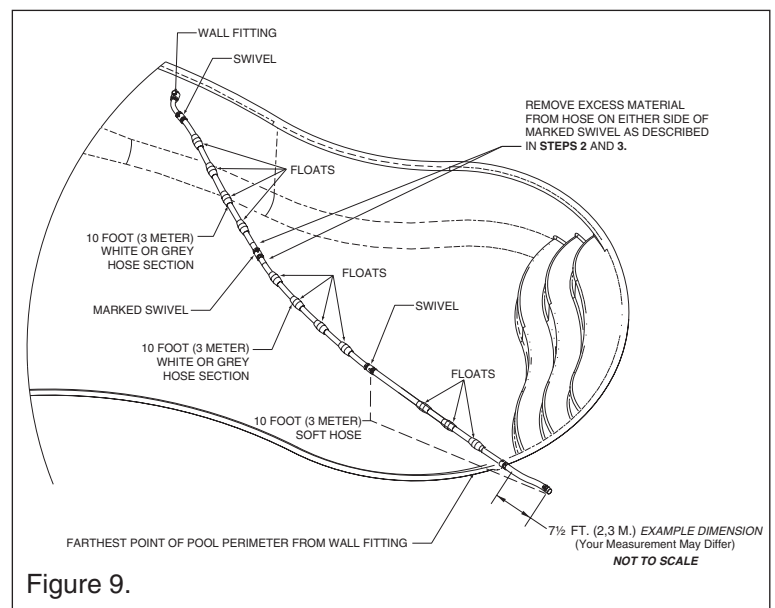


Figure 9.

Step 3: Connecting Hose Sections

1. After the hose sections have been cut to size, reconnect them by pushing the hose end over the barb on the swivel.

Note: Be sure to push the hose all the way to the bottom of the barb.

2. Move the mender nut toward the hose by turning clockwise and rotating until tight on hose. Use pliers if needed.

Note: Be sure the same number of floats are left on hose sections 2 and 3, as described in Step 2 on page 4.

3. To check that the hose is cut to the correct length, reconnect the hose and wall fitting to the wall adaptor. Take the opposite end of the hose assembly and walk to the farthest point of the pool from the wall adaptor. The hose should reach the edge of the pool but should not extend more than 6 inches beyond the pool edge.
4. You can now connect the cleaner to the hose.

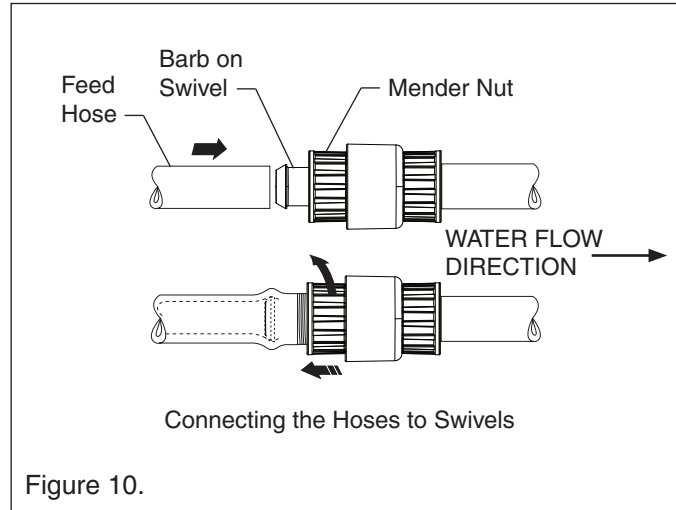


Figure 10.

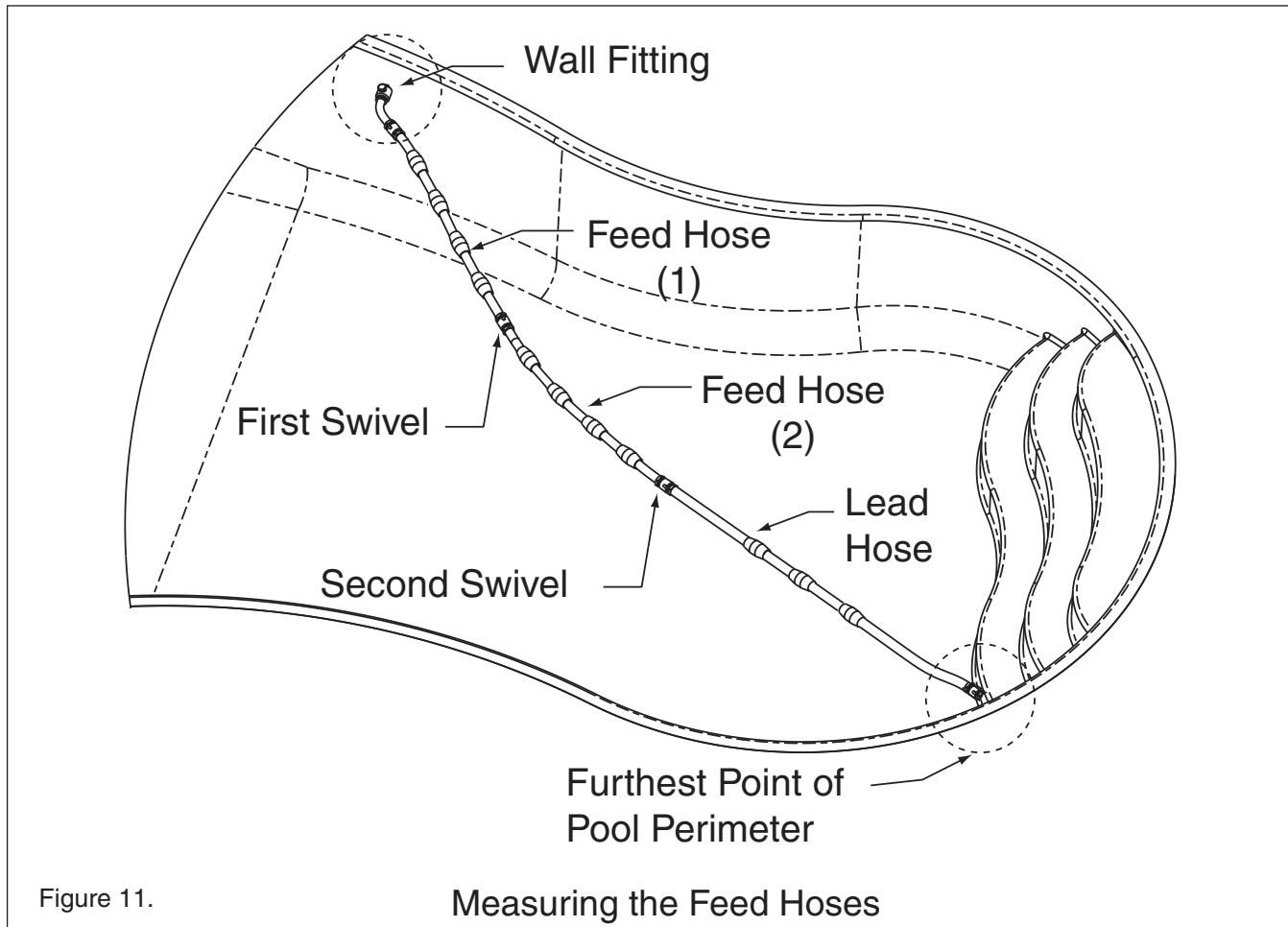


Figure 11.

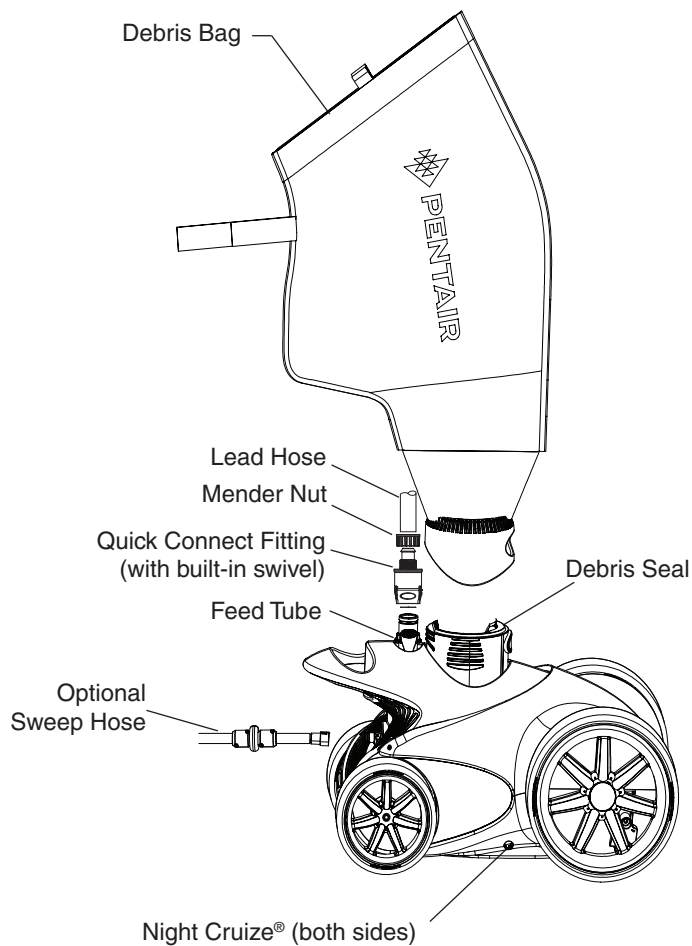
Measuring the Feed Hoses

Assembling the Cleaner

1. Attach the Quick Connect fitting on the end of the hose to the feed tube on the RACER® Pressure Side Pool Cleaner. Be sure the snaps are engaged.
2. Attach the debris bag to the cleaner. Push the bag over vacuum tube to click it into place.
3. Review checklist before use:
 - Hoses cut properly and floats evenly spaced.
 - Mender nuts are tight on feed hose.
 - Wall fitting secure and in place.
 - Debris bag and hose assembly attached.
 - Ensure debris seal is attached. **See figure 12.**

Using the Cleaner

1. Lower the cleaner carefully into pool.
2. Switch ON the FILTER PUMP.
3. Wait at least 60 seconds to allow air to blow out of the hose.
4. Switch ON the BOOSTER PUMP.



Assembling the Cleaner

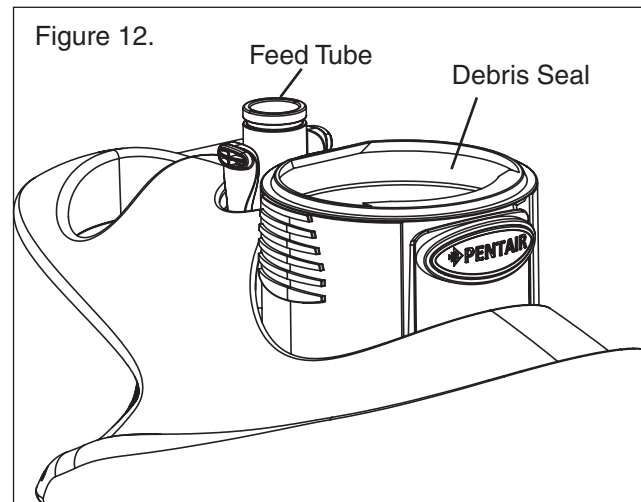


Figure 12.

CLEANER ADJUSTMENTS AND OPERATION

Cleaner Operation

Note: The RACER® Pressure Side Pool Cleaner may need some minor adjustments to ensure it is operating properly and to get the best performance possible.

When operating correctly, the cleaner will travel in a random pattern throughout the pool, vacuuming and scrubbing the pool.

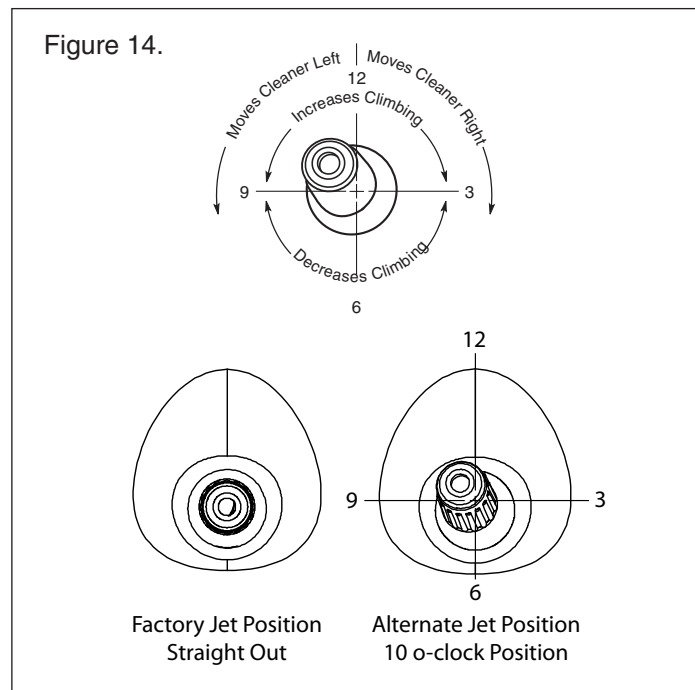
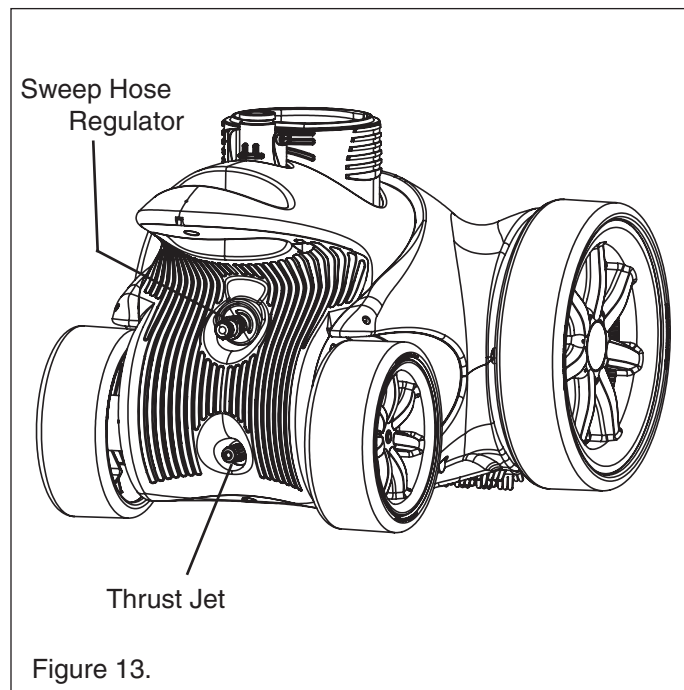
- The climbing ability of the cleaner depends on the pool structure and water flow.
- One hour cleaning cycle is recommended for average size residential (15' x 30' [4.6 m x 9.1 m]) pools.
- It will perform more efficiently in pools without sharp transitions between pool floor and walls.
- The cleaner goes into a reverse mode approximately every 2-1/2 minutes for approximately 15 seconds.
- If pool has a high level of debris, run the cleaner in two short cycles. Empty the debris bag between cycles.

Adjusting the Thrust Jet

The thrust jet is at the back of the cleaner below the sweep hose regulator, and helps to power the direction of the cleaner. **See figure 13.**

You may need to adjust the thrust jet based on the pool shape, in order to get maximum cleaner coverage.

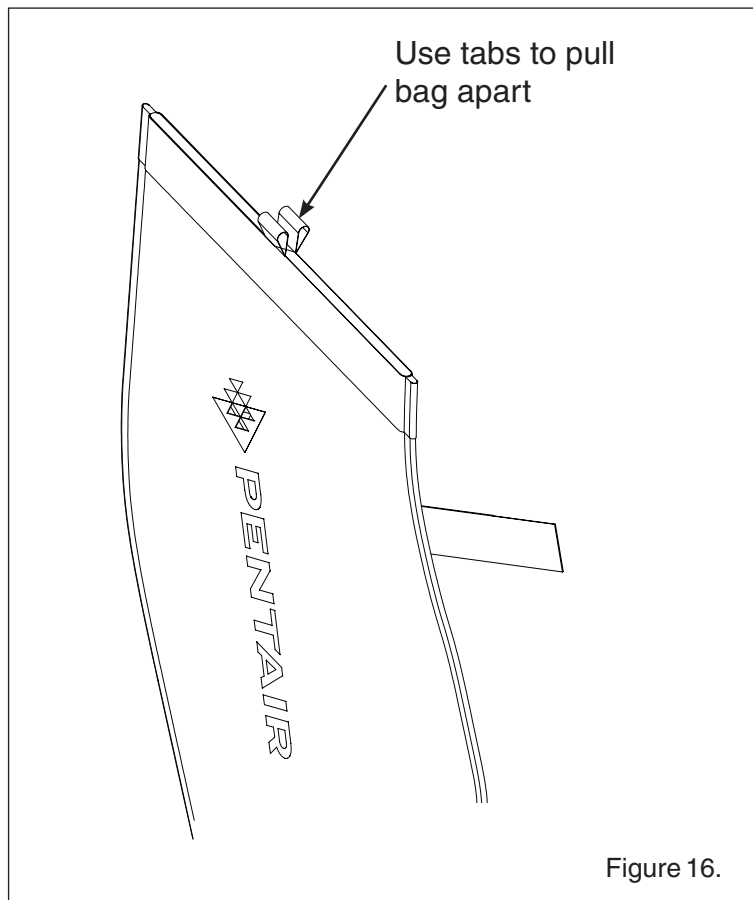
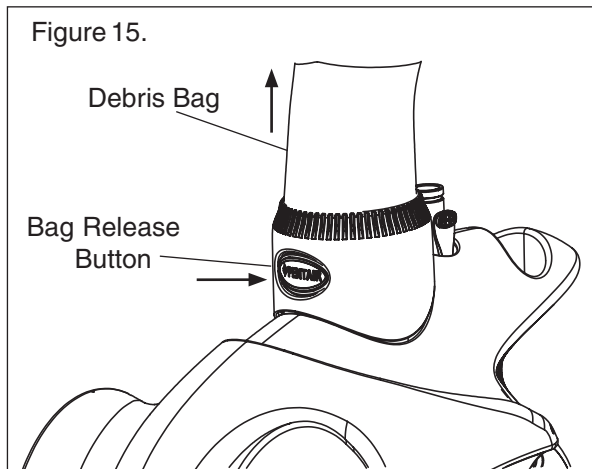
The alternate jet position shown below can help the climbing ability of the cleaner. **See figure 14.**



Cleaning the Debris Bag

1. Detach the bag strap from the hose.
2. Press the release button on the cleaner vacuum tube and carefully pull up to remove the bag from the cleaner. **See figure 15.**
3. Open bag closure by pulling apart the fabric tabs at the top of the bag (**see figure 16**). Holding the bottom of the bag, turn over to empty debris out of the top. If needed, rinse bag with a hose.
4. To close, press together the hook and loop fabric at the top of the bag and run finger along entire length of bag so it is completely closed.
5. Be sure debris seal is on the vacuum tube. **See figure 12 on page 6.**
6. Slide the debris bag collar over the vacuum tube until it clicks in place.
7. Reattach the strap onto the feed hose.
8. To keep bag from folding during operation, attach the strap above first feed line float. Slide float down if needed.

Note: It is easier to empty the debris bag when it is dry. A second bag (purchased separately) may be used while the used debris bag is drying.



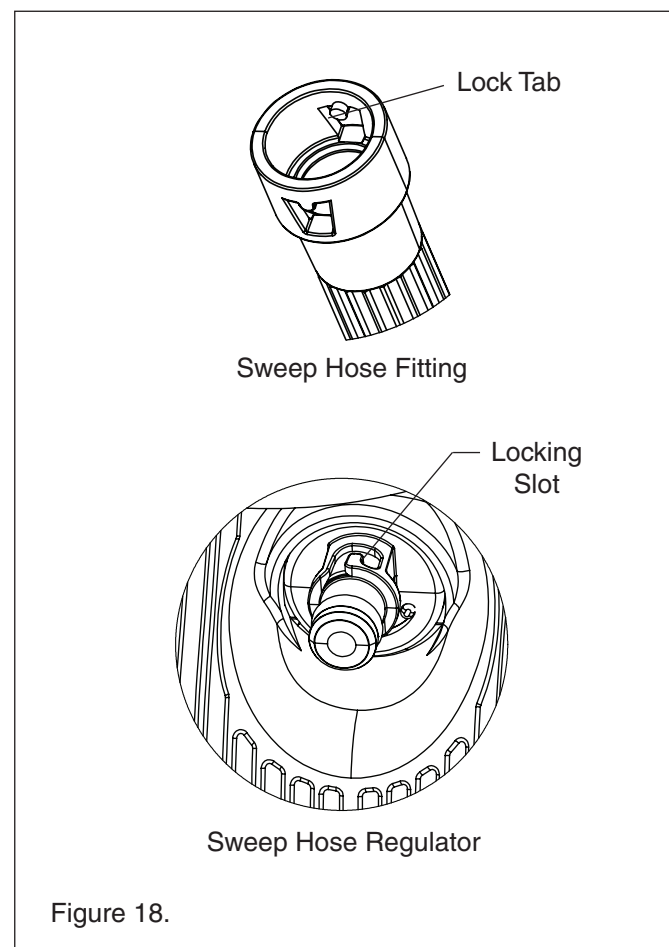
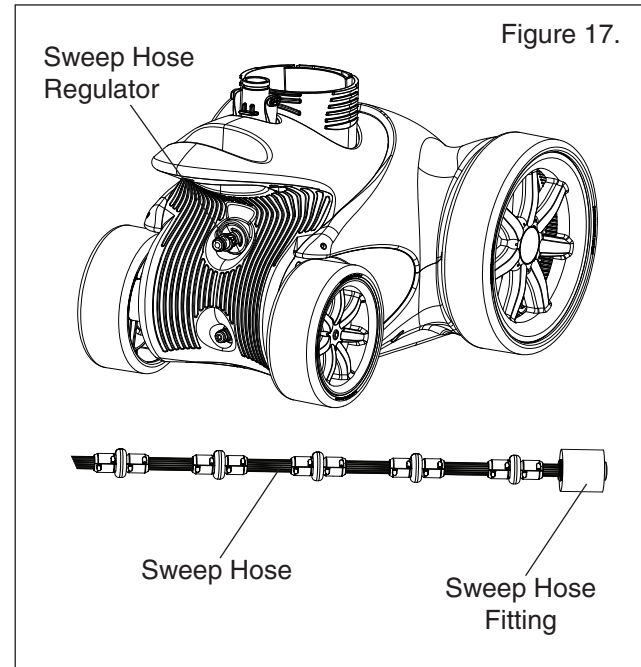
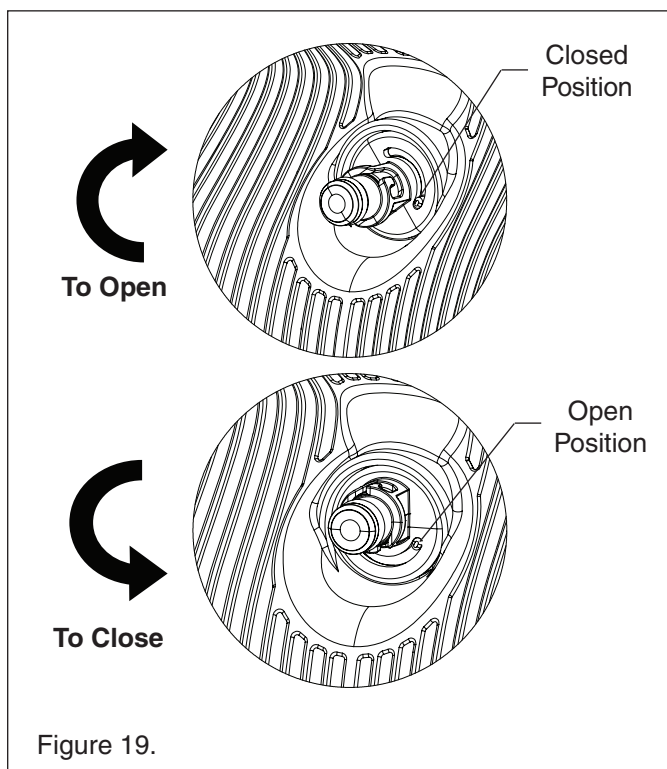
Adjusting the Sweep Hose Regulator when Sweep Hose is Installed

The sweep hose operates in a gentle sweeping motion to clean debris from hard to reach corners of pools. **See figure 17.**

Note: 1. Do not adjust the sweep hose regulator while cleaner is operational. This may damage cleaner.

2. The sweep hose must be used to adjust the sweep hose regulator.

1. If you do not plan on using the optional sweep hose, there is nothing more you need to do. To attach the optional sweep hose to the cleaner and open the sweep hose regulator, proceed to Step 2.
2. To attach the sweep hose to the RACER® Pressure Side Pool Cleaner, line up the lock tabs on the inside of the sweep hose fitting (small round fitting on the end of the sweep hose) to the locking slots on the cleaner's sweep hose regulator. **See figure 18.**
3. The sweep hose regulator comes from the factory in the closed position. To open the sweep hose regulator, push the sweep hose fitting onto the sweep hose regulator. When it can not be pushed any further turn the sweep hose fitting **clockwise** until it stops (about 45 degrees). **See figure 19.** Pull out on the sweep hose fitting and the fitting will lock into place.
4. To remove the sweep hose and turn off the sweep hose regulator, hold the sweep hose fitting and turn it **counter-clockwise** until it stops (about 45 degrees). **See figure 19.** Pull the sweep hose fitting from the sweep hose regulator and store it in a safe place.



MAINTENANCE

Periodic Maintenance

Periodically inspect the RACER® Pressure Side Pool Cleaner and its components. Replace and/or repair any worn or damaged components. Failure to follow instructions or improper installation of the cleaner can result in damage to the cleaner, pool finish, or vinyl liner.

The following parts are wear items that should be inspected periodically and replaced as needed.

Wall Fitting Screen

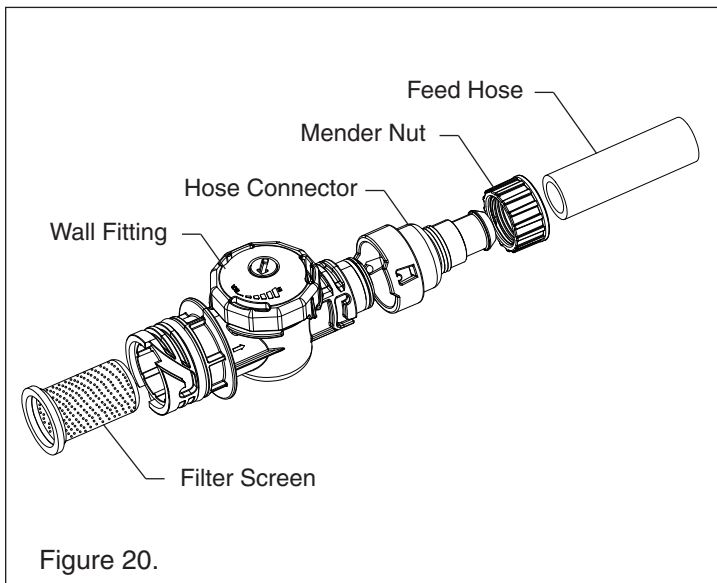
Inside the wall fitting is a stainless steel filter screen that acts as a secondary filter. This screen captures debris that may have passed through the pool filter.

A dirty screen may be an indication of potential issues in your pool filter system and you may need to contact your local pool professional.

Note: Running the cleaner without the filter screen can damage the cleaner and void the warranty.

To clean the filter screen:

1. Switch the booster pump and then the filtration pump off.
2. Remove the wall fitting from the wall adaptor.
3. Pull the screen out from inside the wall fitting.
4. Rinse thoroughly until clean and insert back inside the wall fitting.
5. Whenever cleaning, backwashing or repairing the pool filter, also clean the wall fitting screen after your first cleaner cycle.



Cleaning the Filter Screen

Tires

The tires are designed to protect the bottom of your pool and provide traction. Tires will wear and need to be replaced occasionally.

Debris Bags

The cleaner comes with a general purpose bag and is used for all debris types. Replace bag when the fabric is torn or punctured.

Note: To prolong the life of your cleaner, remove it from pool before adding chemicals.

Sweep Hose

The sweep hose is provided as an optional accessory to help keep hard to reach corners of your pool clean. Replace sweep hose scrubber as necessary if used.

Sweep Hose Roller Rings

Your sweep hose has a series of roller rings to protect the sweep hose. Replace the rings as needed. Ensure the roller rings rotate freely.

Backwashing the Pool Filter

Always disconnect the cleaner from the pool wall before cleaning or backwashing the pool filter. After cleaning or backwashing, let the pool filtration system and booster pump run for a minimum of five minutes to flush out the return lines before reconnecting the cleaner.

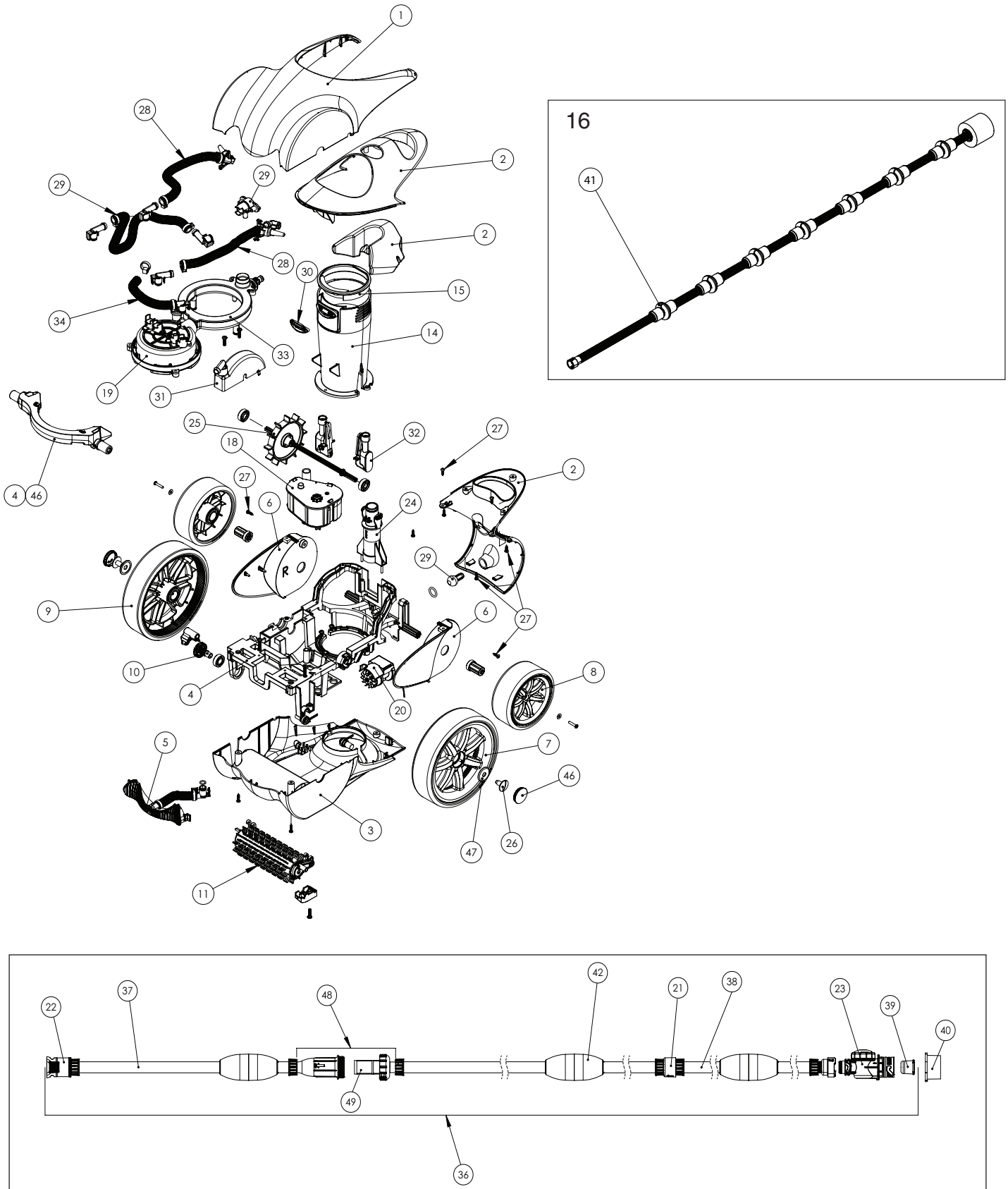
Storage and Winterizing

You may leave the wall adaptor in the wall and store the hoses straight, without any kinks. If storing the hose coiled, be sure to lay the hose straight in the sun for 12 to 24 hours before using again. Use the flow gauge to be sure the flow is sufficient for cleaner operation.

[Blank Page]

REPLACEMENT PARTS

Illustrated Parts List



Parts List

ITEM NO.	PART NUMBER	DESCRIPTION
1	360229	Top Front Cover Kit
2	360230	Rear Cover Kit
3	360231	Bottom Cover Kit
4	360391	Chassis Kit
5	360233	Front Grill Kit
6	360234	Side Covers Kit
7	360235	Large Wheel Kit
8	360236	Small Wheel Kit
9	360237	Large Tires Kit
10	360238	Scrubber Gear Kit
11	360239	Scrubber Kit
12*	360240	Debris Bag Kit (w/o collar), hook and loop fastener
13*	360241	Debris Bag Collar Kit
14	360242	Vacuum Tube Kit
15	360243	Debris Valve Kit
16	360244	Sweep Hose Kit
17	360245	Sweep Hose Scrubber Kit
18	360246	Gear Box Kit
19	360247	Timer Valve Kit
20	360248	LED Kit
21	360249	Feedline Swivel Kit
22	360250	Feedline Quick Connector Kit
23	360251	Feedline Wall Connector Kit
24	360252	Feed Line Connector Kit
25	360253	Drive Shaft Kit

ITEM NO.	PART NUMBER	DESCRIPTION
26	LLC55PMB	Wheel Screw Kit
27	360255	Screw Kit
28	360256	Turn Jet Hose Kit
29	360257	Rear Thrust Jet Hose Kit
30	360258	Rubber Button Kit
31	360414	Turbine Kit
32	360260	Venturi Manifold Kit
33	360261	Water Management Kit
34	360262	Turbine Hose Kit
35*	360263	Tune Up Kit
36	360264	Feed Line Hose Kit Complete
37	360265	Soft Feed Line Hose Kit 10'
38	360266	Hard Feed Line Hose Kit 10'
39	E24	Debris Screen
40	LL23PM	Threaded Wall Adapter
41	EB10G	Sweep Hose Wear Ring
42	360270	Feed Line Float
43*	360268	Feed Line O-Ring Kit
44*	360269	Debris Bag with Mechanical Lock
45*	360274	Wheel Hump Insert Kit
46	360434	Axle Kit
47	EC64	Wheel Washer Kit
48	360392	In-line Filter Kit
49	360437	Replacement Screen Cartridge

Note: (*) Not shown

TROUBLESHOOTING

Use the following troubleshooting information to solve potential issues with the RACER® Pressure Side Pool Cleaner.

Problem	Corrective Action
Cleaner doesn't move or moves slowly.	<p>Ensure filter pump and booster pump are on and moving water. (You may need to clean your pool filter system.)</p> <p>Ensure the wall fitting screen is free of debris; you may need to remove and rinse.</p> <p>Check for proper flow using Flow Gauge (provided). See page 2. Adjust the flow at the wall fitting if needed. See page 2.</p> <p>Check all feed hose connections and swivels for leaks.</p> <p>Check for debris that may be jammed in the gear teeth on one of the front drive wheels. Gently rotate the front wheels backward to dislodge debris.</p> <p>Check to see if the rear wheels are spinning freely. Replace wheels if necessary.</p>
Cleaner hangs at steps.	<p>Ensure the front (large) wheels reverse approximately every 2-1/2 minutes.</p>
Cleaner tilts to one side.	<p>Usually indicates a full debris bag. Empty the debris bag (see page 8).</p> <p>Note: Cleaner at times will tilt on one side (on two wheels) during a turn cycle. Watch the cleaner for a few minutes to see if it positions itself upright.</p>
Cleaner does not go in reverse.	<p>Ensure the front (large) wheels reverse approximately every 2-1/2 minutes.</p> <p>Check for proper flow using Flow Gauge (provided). See page 2. Adjust the flow at the wall fitting if needed. See page 2.</p>
Cleaner will not climb.	<p>Check debris bag. Empty the debris bag if full.</p> <p>Check for proper flow using Flow Gauge (provided). See page 2. Adjust the flow at the wall fitting if needed. See page 2.</p> <p>Reposition the thrust jet to increase climbing (see page 7).</p> <p>Note: The climbing ability of the cleaner depends on pool shape and available water flow. It will climb better in pools without sharp angles or in the transition from the pool floor to the pool wall.</p>
Hoses tangling in loops.	<p>Check the length of the feed hose. If it is too long it may cause the hose to tangle or loop. See page 4 for sizing feed hose.</p> <p>Ensure the feed hose is floating on the pool surface. Hose floats should be spaced approximately two feet apart. See page 4 for hose float positioning.</p> <p>Ensure the hose swivels spin freely. Replace swivels if tight.</p> <p>Ensure the feed hose has no kinks or bends.</p>
Sweep hose caught in vacuum tube.	<p>Ensure the sweep hose regulator valve is fully open. See page 9.</p>
Booster pump very noisy.	<p>Ensure filter pump and booster pump are on and moving water. (You may need to clean your pool filter system.)</p> <p>Ensure wall fitting is properly installed. If leaking, O-ring may need to be replaced.</p> <p>Contact your local pool professional - possible booster pump issue.</p>

Problem	Corrective Action
Brush on front of cleaner is not spinning.	<p>Watch front wheels while cleaner is operating in the pool. The wheels and front brush should rotate simultaneously.</p> <p>Ensure the scrubber is free of tangled debris.</p>
Rear wheels dragging/not spinning.	<p>Ensure the wheel sleeve is free of tangled debris.</p> <p>Note: You may need to remove the wheel by pulling straight off sleeve to remove any tangled debris.</p>
Rear wheels falling off.	<p>Replace wheel and wheel sleeve.</p>
<p>Night Cruize LEDs are not illuminated during cleaner operation. (Note: LED operation does not affect cleaner performance.)</p>	<p>Debris may be clogging generator turbine. To clean debris from generator turbine: Find access hole under the left rear wheel by removing the wheel by pulling it straight off cleaner. Use a large paper clip and insert approximately 2 in. [5 cm] straight into the access hole, continue until the generator turbine paddle is felt and move paper clip until paddle rotates. Rotate the paddle several times with paper clip to clear the debris.</p> <div data-bbox="835 747 1409 1112" style="text-align: center;"> <p>Insert paper clip in access hole.</p> </div>

Steep Vinyl Liner Transitions

In some pools with deep diving ends the transition angle from the deep end to the shallow end may cause the RACER® Pressure Side Pool Cleaner to have difficulty transitioning over this angle. If so, you may need to insert the tire wedges provided to help the cleaner make this transition. These wedges create a hump in the tire and help keep the cleaner from becoming obstructed. They are not required in all pools.

Note: Both wedges should be installed horizontally in line with each other. If they are not in line with each other they may cause the cleaner to have difficulty with the transition angle. This is important for proper cleaner operation. **See figure 21.**

1. To install the tire wedge, pull the rubber tire up from the plastic wheel and firmly push the insert between the tire and wheel. The smooth surface on the underside of the wedge should be inserted first, from the outside to the inside of the cleaner wheels. **See figure 22.** Be sure that the slots on the plastic wheel and the slots on the underside of the wedge lock into each other.
2. Push the wedge towards the nose of the cleaner body until the insert is securely seated behind the lip of the rubber tire. **See figure 21.**

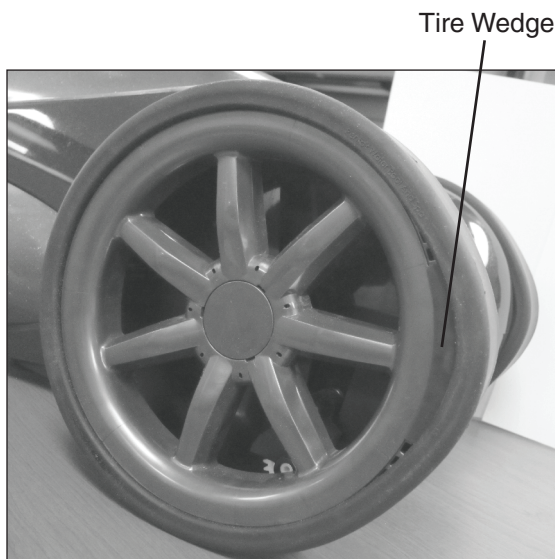


Figure 21.

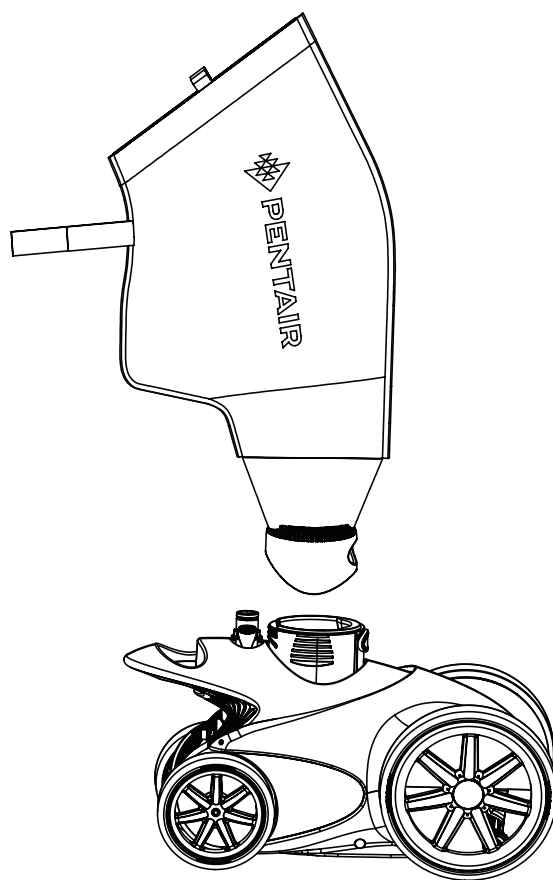


Figure 22.



RACER®

LIMPIAFONDOS DE PRESIÓN LATERAL



ESPAÑOL

MANUAL DE INSTALACIÓN GUÍA DEL USUARIO

INSTRUCCIONES DE SEGURIDAD IMPORTANTES
LEA Y SIGA ESTAS INSTRUCCIONES
GUARDE ESTAS INSTRUCCIONES

SERVICIO AL CLIENTE / SOPORTE TÉCNICO

Si tiene consultas acerca de cómo pedir piezas de repuesto de Pentair Aquatic Systems y productos para piscina, por favor contáctese con:

Servicio al cliente y soporte técnico, EE. UU.

(de 8 A.M. a 5 P.M. — Hora del Este/Pacífico)

Teléfono: (800) 831-7133

Fax: (800) 284-4151

Sitio web

Visite www.pentairpool.com o www.staritepool.com

Sanford, North Carolina (8 A.M. a 5 P.M. ET)

Teléfono: (919) 566-8000

Fax: (919) 566-8920

Moorpark, California (8 A.M. a 5 P.M. PT)

Teléfono: (805) 553-5000 (Ext. 5591)

Fax: (805) 553-5515

ÍNDICE

Advertencias e instrucciones de seguridad importantes	19	Mantenimiento.....	30
Información general	21	Malla del accesorio de pared	30
Componentes del limpiafondos	21	Llantas	30
Información general	21	Bolsas de desperdicios	30
Instalación	22	Manguera de barrido	30
Instalación de la bomba de refuerzo	22	Juntas rotativas	30
Instalación del accesorio de pared y el adaptador	22	Antes de hacer un lavado a contracorriente del filtro de la piscina	30
Configuración del caudal de agua para el limpiador	22	Guardado y preparación para el invierno	30
Cómo calcular la velocidad/RPM del limpiafondos	23	Piezas de repuesto.....	32
Ajustar el conjunto de la manguera para fijar a la piscina	24	Localización de problemas.....	34
El montaje del limpiador	26	Piscinas revestidas con vinilo y con ángulos de transición agudos	36
Usando el limpiador	26		
Ajustes del limpiafondos y funcionamiento	27		
Funcionamiento del limpiafondos	27		
Ajuste del chorro de empuje	27		
Limpieza de la bolsa de desperdicios	28		
Cómo ajustar el regulador de la manguera de barrido con la manguera de barrido opcional instalada	29		

© 2017 Pentair Water Pool and Spa, Inc. Todos los derechos reservados.

Este documento está sujeto a cambios sin previo aviso.

1620 Hawkins Ave., Sanford, NC 27330 • (919) 566-8000

10951 West Los Angeles Ave., Moorpark, CA 93021 • (805) 553-5000

Todas las marcas comerciales y logos de Pentair son propiedad de Pentair, Inc. Pentair Aquatic Systems®, Night Cruize® y RACER® son marcas comerciales y/o marcas registradas de Pentair Water Pool and Spa, Inc. y/o sus empresas asociadas en Estados Unidos otros países. A menos que conste expresamente, los nombres comerciales y marcas de terceros que puedan haber sido utilizados en este documento no indican una asociación o respaldo entre los propietarios de estos nombres comerciales y marcas y Pentair Water Pool and Spa, Inc. Esos nombres comerciales o marcas pueden ser marcas comerciales o marcas registradas de estos terceros. Debido a que estamos constantemente mejorando nuestros productos y servicios, Pentair se reserva el derecho de modificar las especificaciones sin previo aviso. Pentair es un empleador que ofrece igualdad de oportunidades.

P/N 371004 Rev. D 3/30/17

ADVERTENCIAS E INSTRUCCIONES DE SEGURIDAD IMPORTANTES



Aviso importante:

Atención persona encargada de la instalación: Esta guía contiene información importante sobre la instalación, la operación y el uso seguro de este producto. Se le debe proporcionar esta información al dueño u operador del equipo luego de la instalación del limpiafondos.

Atención usuario: Este manual contiene información importante que lo ayudará a operar y mantener este limpiafondos. Por favor, consérvelo para futuras referencias. Consulte a Pentair por cualquier consulta relacionada a este equipo.



ADVERTENCIA Antes de instalar este producto, lea y siga todas las instrucciones y preste atención a las advertencias que se incluyen

No seguir las instrucciones ni prestar la debida atención a las advertencias puede ocasionar daños a la propiedad, lesiones graves y hasta la muerte. Llame al (800) 831-7133 para obtener copias adicionales y gratuitas de las instrucciones.

Información y seguridad del cliente

Este limpiafondos está diseñado y fabricado para proporcionar muchos años de servicio seguro y fiable cuando se instala, opera y mantiene según la información dada en este manual. En todo el manual, las advertencias de seguridad y de precaución están identificadas con el símbolo "⚠". Asegúrese de leer y cumplir con todas las advertencias y precauciones.



SUCCIÓN PELIGROSA

No juegue con el limpiafondos o las mangueras ni las aplique al cuerpo. Puede atrapar y destrozar cabello y partes del cuerpo. Las mangueras pueden hacer que las personas se tropiecen o se enreden, lo que podría provocar ahogamiento.



PELIGRO DE ATASCAMIENTO POR SUCCIÓN, HERIDAS Y AHOGO

Si su piscina tiene una boca de succión para aspirar o para un limpiado automático de la piscina y no se usa, debe estar cubierto. Junto con su limpiafondos se incluye una cubierta de seguridad accionada por resortes. Instale la cubierta en la boca de succión para prevenir atascamientos o heridas. Si la cubierta proporcionada no encaja, compre una nueva que sí encaje en su tienda local e instale esa en cambio. La cubierta debe ser de conformidad con IAPMO SPS4-99A.



Apague la bomba antes de limpiar la unidad. No permita que personas ingresen a la piscina mientras está funcionando el limpiafondos.



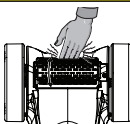
Para reducir los riesgos de heridas, no permita que niños usen o jueguen con el limpiafondos.



No permita que personas ingresen a la piscina mientras está funcionando el limpiafondos. Las mangueras pueden hacer que las personas se tropiecen o se enreden, lo que podría provocar ahogamiento.



Las piezas que se mueven pueden lastimar manos y pies. Detenga la bomba antes de intentar limpiar el cabezal del limpiafondos.



Información de instalación general

Lista de verificación previa a la instalación

Antes de instalar su limpiafondos, revise y entienda todas las advertencias e información de seguridad en esta guía. No seguir las instrucciones o instalar el limpiafondos inadecuadamente puede ocasionar daños al revestimiento de la piscina o al revestimiento de vinilo. La mayoría de los limpiadores no están diseñados para pasar del fondo a la pared cuando la moldura cóncava es del 90%. Puede que haya otras estructuras instaladas en la piscina por las que el limpiador no puede desplazarse. Tome esto en cuenta y supervise el limpiador cuando se encuentre en condiciones únicas. Pentair Aquatic Systems no será responsable por reparaciones o reemplazo de cualquiera de estas estructuras o componentes de la piscina del cliente.

Antes de instalar un limpiafondos en una piscina con revestimiento de vinilo:

Observe el revestimiento con detenimiento para detectar marcas de deterioro o daños por el tiempo de uso químicos, daños en la pared de la piscina, etc. Si se detectan daños, deje que un profesional de piscinas haga las reparaciones necesarias. Asimismo, si hay piedras, raíces u otros objetos debajo del revestimiento, retírelos antes de instalar el limpiador.

Antes de instalar el limpiafondos en una piscina de hormigón proyectado o una piscina que está parcial o completamente embaldosada:

Asegúrese de que el revestimiento esté en las condiciones adecuadas ya que las manchas, los grabados, las rajaduras o el deslaminado pueden empeorar.

Repare cualquier baldosa y ajuste cualquier junta de las luces que esté suelta.

Antes de instalar el limpiafondos, limpie su sistema de filtrado.

Asegúrese de haber limpiado el filtro, incluido el lavado a contracorriente, enjuague y vaciado de todos los canastos. Un sistema limpio es necesario para una limpieza y cobertura adecuada.

Antes de instalar el limpiafondos, entienda la cobertura del limpiador.

El limpiafondos está diseñado para quitar de su piscina los desperdicios en aproximadamente 4-6 horas. Dependiendo del tamaño de la piscina, puede tomar menos tiempo. El limpiafondos no fue diseñado para limpiar escalones automáticamente o para trabajar bajo una cubierta solar. El limpiador se puede quedar atascado en estos lugares y puede ocasionar daños al revestimiento de la piscina o al revestimiento de vinilo. Pentair Aquatic Systems no será responsable por reparaciones o reemplazo de cualquiera de estas estructuras o componentes de la piscina del cliente. Tampoco fue diseñado para hacer la limpieza inicial de una piscina nueva o la limpieza de la piscina que inicia la temporada.

Luego de instalar el limpiafondos, asegúrese de que esté funcionando correctamente:

El limpiafondos puede necesitar algunos ajustes mínimos para asegurar que su funcionamiento sea adecuado y así prevenir daños al limpiafondos, al revestimiento de la piscina o al revestimiento de vinilo. Algunos patrones de revestimiento vinílico son particularmente susceptibles al deterioro de la superficie, desgaste, frotado de la tinta, e importantes rasguños al patrón ocasionados por el contacto de objetos con la superficie de vinilo, incluidos los limpiadores automáticos. Pentair Aquatic Systems no es responsable por desgaste, cortes, abrasiones ni marcas en el revestimiento de vinilo. Inspeccione con regularidad los componentes del limpiafondos y el rendimiento de este para asegurarse de que esté funcionando como debe. Reemplazar o reparar los componentes desgastados o dañados. No seguir las instrucciones o instalar inadecuadamente el limpiafondos puede ocasionar daños en el limpiador, el revestimiento de la piscina o el revestimiento de vinilo.

Advertencias e instrucciones de seguridad para Pentair Aquatic Systems Bombas y otros productos relacionados están disponibles en: <http://www.pentairpool.com/support/product-warnings.html> o llame al (800) 831-7133 para obtener copias adicionales y gratuitas de las instrucciones.

En <http://www.pentairpool.com/support/product-warnings.html> encontrará advertencias e instrucciones relacionadas con este producto.

ADVERTENCIAS E INSTRUCCIONES DE SEGURIDAD IMPORTANTES

Denegación de responsabilidad Acerca de su piscina y el limpiafondos de presión lateral.

Existen múltiples factores que contribuyen a la longevidad de su piscina. El limpiafondos es un producto altamente pasivo que no tendrá impacto en la vida útil de su piscina.

Por favor, tenga en cuenta que con el paso del tiempo es posible que se produzca deterioro, decoloración o fragilidad de cualquier revestimiento de piscina, independientemente o en combinación con el tiempo de uso, un desequilibrio en la química del agua, una instalación inadecuada, y otros factores. Los limpiafondos de presión lateral no removerán ni desgastarán el yeso "bueno" para piscina. De hecho, es posible que ocurra lo contrario: con el tiempo el yeso de la piscina desgastará al limpiafondos.

La misma situación se da con piscinas de revestimiento vinílico que están enterradas, porque los revestimientos de vinilo también se ven afectados por el medioambiente y factores como la química del agua de la piscina, la luz solar y los alrededores de la piscina. Por lo tanto, con el paso del tiempo, el vinilo puede volverse frágil y débil. Además, las piscinas con revestimiento vinílico se ven afectadas por la hechura, composición e instalación del revestimiento y la hechura y la calidad de la construcción de las paredes de contención y la base de la piscina. Todos estos factores pueden contribuir al fracaso del revestimiento. La existencia de cualquiera de estos tipos de condiciones en su piscina no es causada por el uso o funcionamiento del limpiafondos. El fabricante no será responsable por reparaciones o reemplazo de cualquiera de estas estructuras o componentes de la piscina del cliente.

El propietario de la piscina debe asumir responsabilidad por las condiciones y el mantenimiento de la superficie de la piscina, el agua y la cubierta.

Antes de instalar el limpiafondos, por favor, tómese un momento para registrar el número de serie. El número está ubicado en la tarjeta de garantía y en la parte trasera del limpiador, cerca de los chorros traseros. Se le pedirá este número cuando se contacte con el Departamento de soporte técnico.

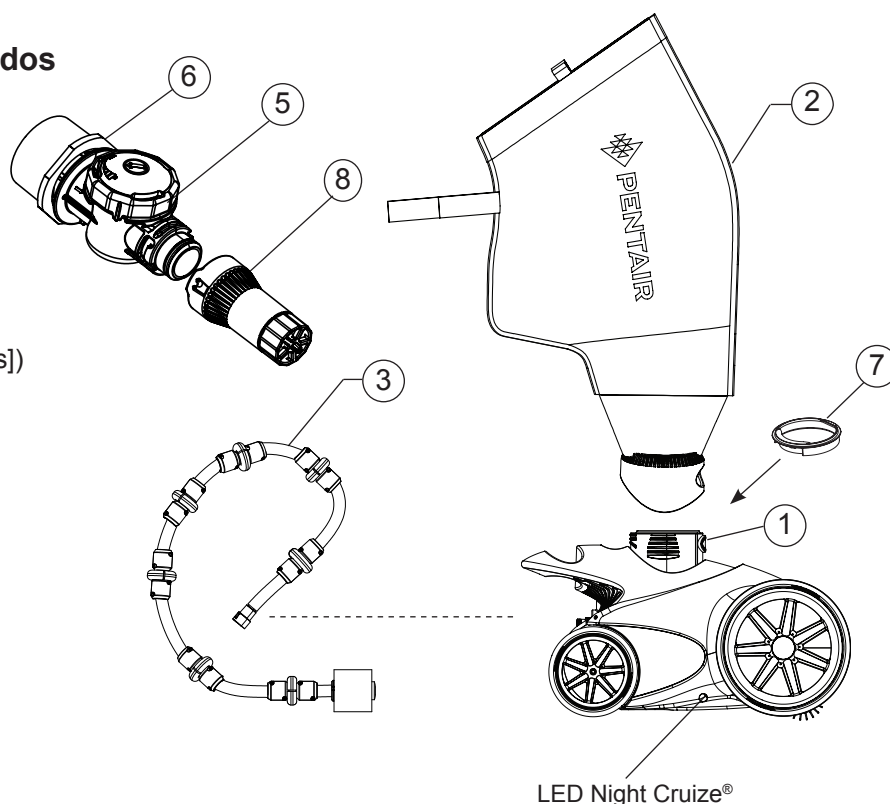
Nº DE SERIE _____

GUARDE ESTAS INSTRUCCIONES

INFORMACIÓN GENERAL

Componentes del limpiafondos

1. Cabezal de limpiafondos
 2. Bolsa de desperdicios
 3. Manguera de barrer (no es necesario en la mayoría de las piscinas)
 4. Conjunto de la manguera de alimentación - no se muestra (secciones de 3-10 pies [3 metros])
 5. Accesorio de pared
 6. Adaptador de pared
 7. Sello de residuos
- Nota:** El sistema de limpieza se entrega con el sello de residuos instalada en el interior del cabezal de limpieza.
8. Calibrador de caudal



Información general

El limpiafondos de presión lateral RACER® se mueve a través de una secuencia de recta, derecha e izquierda se vuelve, para ayudar a aumentar su cobertura de la piscina, pasar la aspiradora y fregar toda la piscina.

- Para una limpieza ininterrumpida, el limpiador entrará en modo de reversa cada dos minutos aproximadamente, lo que le permite limpiar toda la piscina de manera eficiente.

NOTA: Antes de instalar y hacer funcionar el limpiafondos lea cuidadosamente esta guía:

1. Siempre desconecte el limpiafondos de la pared de la piscina si la va a limpiar o hacer lavado contracorriente del filtro de la piscina.
2. Luego de limpiar o hacer lavado contracorriente del filtro, haga funcionar el sistema de filtrado durante por lo menos cinco minutos antes de volver a conectar el limpiafondos.
3. Las líneas hidráulicas nuevas deben purgarse antes de instalar el limpiafondos.
4. El limpiafondos no debe usarse para quitar restos de yeso en piscinas nuevas.
5. Siempre quite el limpiafondos antes de que entren personas en la piscina.
6. Siempre manipule el limpiafondos con cuidado.
7. Siempre tome el limpiafondos por la manija, en especial cuando saque la unidad del agua.

8. No manipule el limpiafondos cuando esté en funcionamiento.
9. Siempre saque el limpiafondos de la piscina antes de aplicar tratamientos con químicos (cloro). Como regla general, si el agua de la piscina es riesgosa para nadar, también es riesgosa para el limpiafondos.
10. Con cuidado, corte la manguera de alimentación siguiendo las instrucciones de la página 24.
11. Si sigue estas indicaciones simples, puede ayudar a evitar daños y extender la vida útil de su limpiafondos.
12. Vea "Advertencias e instrucciones de seguridad importantes" en las páginas 19-20 para información adicional acerca de instalación y seguridad.
13. Antes de instalar su limpiafondos RACER: Si hay un clorinador, sistema solar, generador de ozono o sistema de inducción de aire instalado, contáctese con Soporte Técnico al 1-800-831-7133.

INSTALACIÓN

Instalación de la bomba de refuerzo

Por favor, vea las instrucciones incluidas con su bomba de refuerzo para información acerca de la instalación.

Por favor siga detenidamente las instrucciones.

Instalación del accesorio de pared y el adaptador de pared

1. Quite o desconecte cualquier limpiador de piscina existente y/o accesorio de pared.
2. Encienda la bomba de filtrado y la bomba de refuerzo para purgar la línea hidráulica.
3. Apague la bomba del filtro y la bomba de refuerzo.
4. Inserte el adaptador de accesorio de pared en el conducto de retorno enroscado 1-1/2" NPT. Apriete manualmente hasta que esté ajustado. **Véase figura 1.**
5. Alinee el accesorio de pared con la clavija de cierre rápido dentro del adaptador de pared. Empuje el accesorio de la pared en el adaptador hasta que toque el fondo de la pared. Gire ¼ en el sentido horario para bloquear el accesorio de pared. **Tire suavemente hacia afuera para un mejor ajuste y así engarzar las clavijas de cierre rápido. Véase la figura 1.**

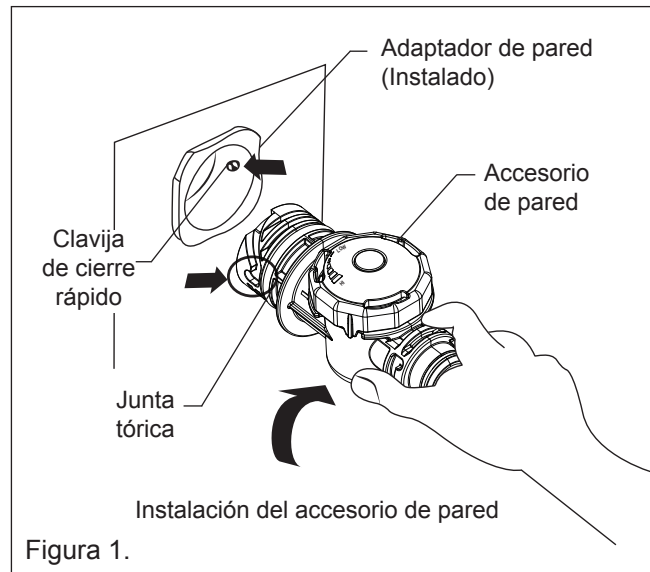


Figura 1.

Configuración del caudal de agua para el limpiador

IMPORTANTE! Antes de comenzar con el procedimiento asegúrese de apagar la bomba del filtro y la bomba de refuerzo.

1. Fije el calibrador de caudal al accesorio de pared al alinear las dos lengüetas en el calibrador de caudal con las ranuras en el accesorio de la pared. **Véase figura 2.** Empuje y gire el calibrador de caudal en sentido horario hasta que pare, luego tírelo ligeramente fuera de la pared. Asegúrese de que el calibrador de caudal esté bloqueado en su lugar girándolo en sentido antihorario mientras que tira ligeramente el calibrador de caudal. **Véase figura 3.**

Nota: El calibrador de caudal no girará cuando esté bloqueado en su lugar.

2. Encienda la bomba del filtro y luego la bomba de refuerzo.
3. Compruebe que el émbolo blanco (dentro del medidor de flujo) esté alineado dentro las caja de calibrador de caudal. **Véase figura 4.**
4. Ajuste la válvula en el accesorio de pared utilizando un destornillador plano al girar la válvula en sentido horario (para reducir el caudal) o en sentido contrario (para incrementar el caudal) de manera tal que el émbolo blanco se alinee con las flechas de las marcas del calibrador de caudal. **Véase figura 5.**
5. Apague la bomba de refuerzo y luego la bomba del filtro.
6. Quite el calibrador de caudal del accesorio de pared al empujar y girar en sentido antihorario y tirar el calibrador hacia fuera.
7. Conecte la manguera a la conexión de la pared. Gire en sentido horario, luego empuje un cuarto y gire para asegurar en su lugar (como se describe en el paso n° 1).

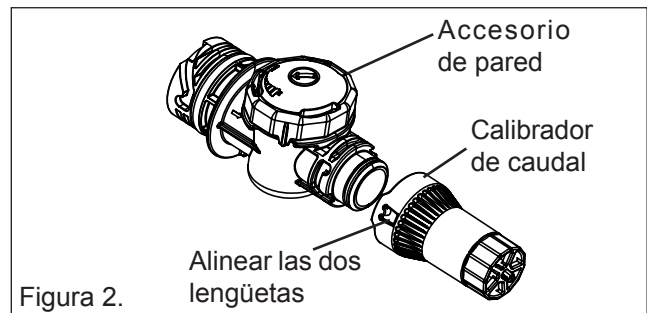


Figura 2.

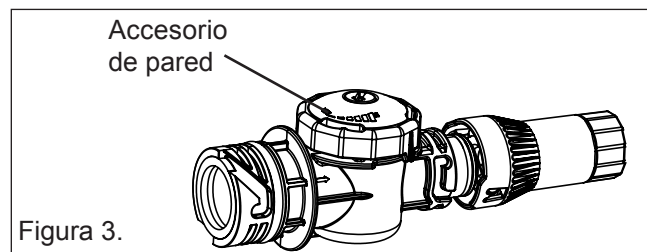


Figura 3.

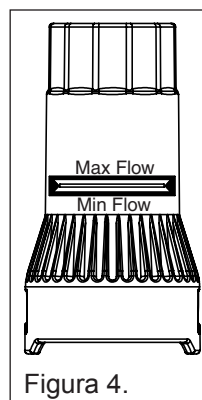


Figura 4.

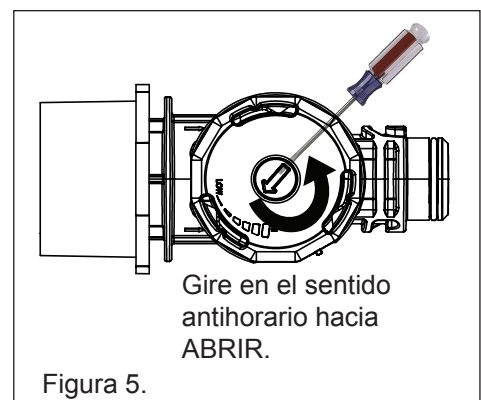


Figura 5.

Cómo calcular la velocidad/RPM del limpiafondos

1. Para determinar si el limpiafondos está recibiendo la presión de agua adecuada, apague la bomba del agua y saque cuidadosamente el limpiafondos de la piscina.
2. Con un marcador de tinta, haga una línea negra. atravesando la rueda delantera
3. Pídale a alguien que vuelva a encender la bomba del agua y el compresor mientras pone el limpiafondos justo debajo de la superficie del agua de la piscina.

Nota: Asegúrese de sostener la manguera de barrer (si está instalada) para evitar que se moje, ya que el flujo del agua regresará al regulador de la manguera de barrer cuando se vuelva a encender la bomba.

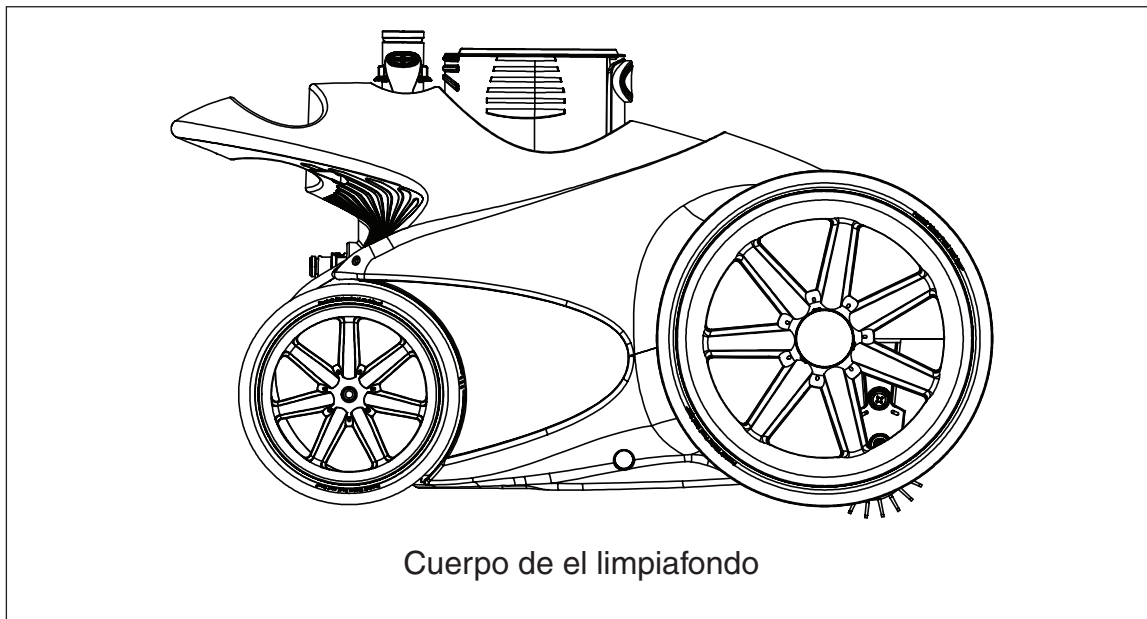
4. Cuente el número de rotaciones completas que haga la marca de la rueda en más o menos un minuto. El número de rotaciones es la velocidad de operación (revoluciones por minuto – RPM) de la limpiafondos.

Nota: Antes de empezar, asegúrese de que la válvula de seguridad no esté funcionando.

5. Para obtener el mejor rendimiento, el limpiafondos debe funcionar entre 31 y 33 RPM con la manguera de barrer instalada y entre 33 y 36 RPM sin la manguera.

Si el limpiafondos funciona a menos de 31 RPM con la manguera de barrer instalada o de 33 RPM sin la manguera, llame a su profesional de piscinas local o contacte el Servicio del cliente al 1-800-831-7133.

Si el limpiafondos funciona a 33 RPM o más con la manguera de barrer instalada, o a 36 RPM sin la manguera, en el punto de conexión a la pared, ajuste la válvula como se describe en “Cómo ajustar el flujo del agua al limpiafondos,” en la página 22, hasta que las RPM disminuyan al rango descrito anteriormente.



Ajustar el conjunto de la manguera para fijar a la piscina

El conjunto de la manguera consiste en tres (3) de 10 pies [3 metros]. secciones: un (1) tubo de plomo gris suave luz marcado como la sección uno y dos (2) más rígido feed gris oscuro mangueras de marca como la sección dos y tres.

Importante para el rendimiento del limpiador:

mida, corte y arme las secciones de las mangueras tal como se describe en el paso n° 1 y 2. Utilice una tijera fuerte o un cuchillo afilado para cortar las mangueras. Asegúrese de deslizar los flotadores para otro lado al cortar las mangueras. Corte las puntas de las mangueras lo más recto posible.

Paso n° 1: Dimensionado de la manguera sección primera

1. Mida la parte más profunda de la piscina. **Consulte la Figura 6.**

Nota: La rejilla o el desagüe abombado principal es por lo general la parte más profunda. *Si la profundidad es de más de 10 pies [3 metros], no corte la manguera y vaya al paso n° 2.*

2. Si la profundidad de la piscina es menor a 10 pies [3 metros], desconecte la manguera de plomo gris claro suave sección primera etiqueta con eslabón giratorio. Corte la manguera de conducción de manera tal que la longitud sea igual a la parte más profunda de la piscina. **Véase Figura 7.**

Ejemplo: Si la piscina tiene una profundidad de 8.5 pies [2.6 metros], corte 1.5 pies [.5 metros] de la manguera una sección denominada (ya que la manguera es de 10 pies [3 metros]).

3. Desechar los restos de manguera. Vuelva a conectar la manguera de conducción recién cortada al eslabón giratorio de la manguera de alimentación. Las tres secciones de la manguera deben estar conectadas.

Paso n° 2: Dimensionado de las mangueras dos and tres

1. Fije el conjunto de la manguera al accesorio de pared. **Véase la figura 8.** Luego fije el accesorio de pared (con la manguera) al adaptador de pared. **Véase la Figura 8.** Tome el extremo opuesta del conjunto de la manguera y camine hasta el punto más lejano de la piscina desde el adaptador de pared. **Para evitar el exceso de estiramiento de la manguera, la manguera descansar en la parte superior del agua de la piscina.** Mida la longitud de la manguera que sobra (manguera que se extiende más allá del borde de la piscina). Esto determina cuánto habrá que cortar de secciones dos y tres.
2. Desconecte el conjunto de la manguera de alimentación del adaptador de pared. Desconecte secciones dos y tres del primer eslabón más cerca al accesorio de pared.
3. Cortar la mitad del exceso de longitud total de la manguera de cada manguera de dos secciones y tres etiquetados (armadas con cuatro flotadores) de igual manera. **Las dos secciones de la manguera de alimentación deben ser de la misma longitud después de haber cortado.**

Ejemplo: Si hay 6 pies [1.8 metros] de manguera restante. Corte 3 pies [.9 metros] de la segunda sección y desactivar la sección tres. (la mitad de 6 pies [1.8 metros] = 3 pies [.9 metros] cada una).

Si se corta más de 3 pies [.9 metros] de cada punta de la manguera, saque un (1) flotador de cada sección de manguera.

Nota: Para grandes piscinas que necesiten mangueras más largas, tendrá que comprar un (1) kit de manguera adicional P/N 360266 (10 pies [3 metros] de una única manguera). Fije la manguera sobrante al accesorio de pared utilizando el eslabón giratorio proporcionado y las tuercas de red.

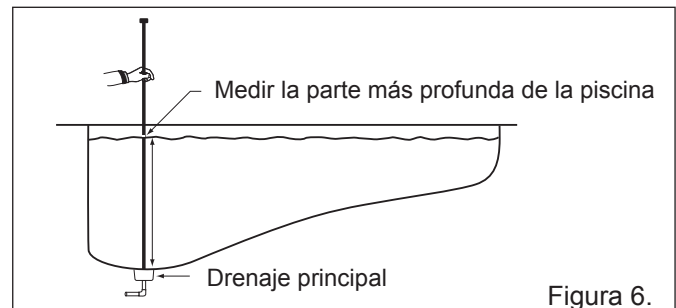


Figura 6.

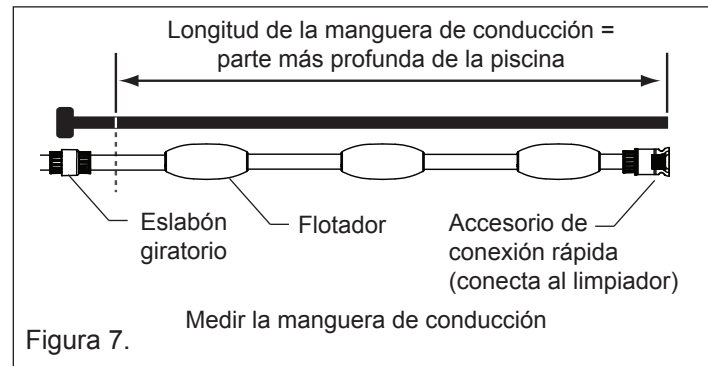


Figura 7.

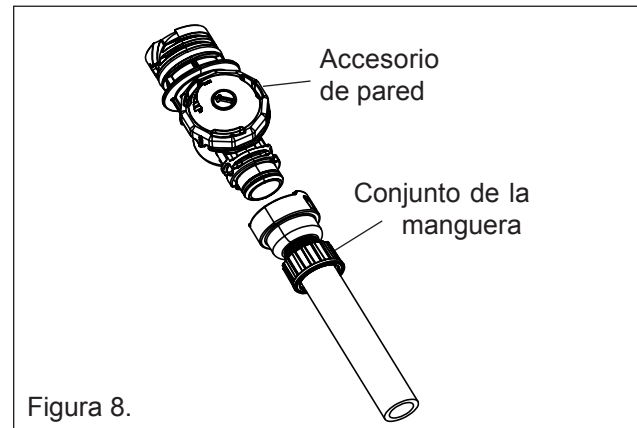


Figura 8.

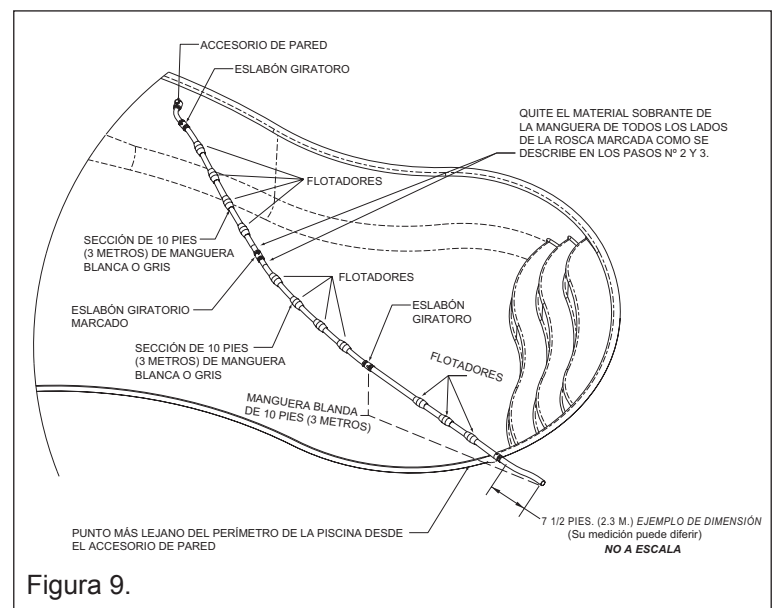


Figura 9.

Paso nº 3: Conectar todas las secciones de manguera

1. Luego de haber cortado las secciones de las mangueras a medida, vuelva a conectarlas al empujar el extremo de la manguera sobre las lengüetas del eslabón giratorio.

Nota: Asegúrese de empujar las mangueras hasta el final de las lengüetas.

2. Mueva la tuerca de red hacia la manguera girando en sentido horario y rote hasta que quede ajustada a la manguera. Utilice pinzas si fuera necesario.

Nota: Asegúrese de que el número de carrozas permanecen en el tramo de manguera de dos y tres, como se describe en el paso 2 en la página 23.

3. Para verificar que la manguera está cortada a la medida correcta, vuelva a conectar la manguera y el accesorio de pared al adaptador de pared. Tome el opuesto extremo del conjunto de la manguera y camine hasta el punto más lejano desde el adaptador de pared. La manguera debe alcanzar el borde de la piscina pero no debe extenderse más de 6 pulgadas desde el borde.

4. Ahora puede conectar el limpiafondos a la manguera.

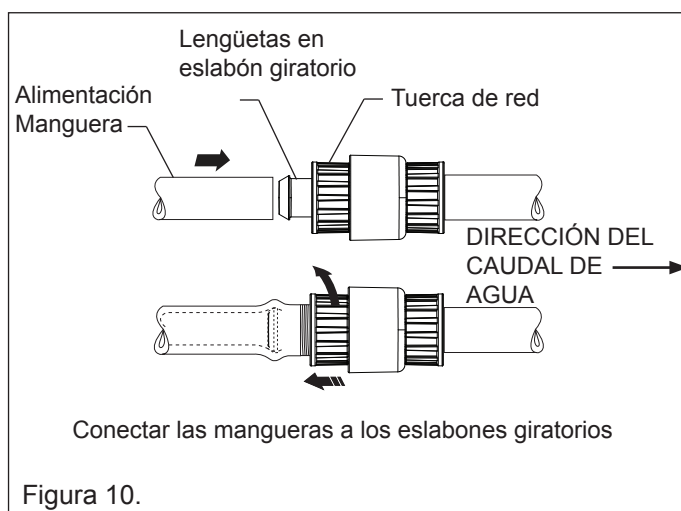


Figura 10.

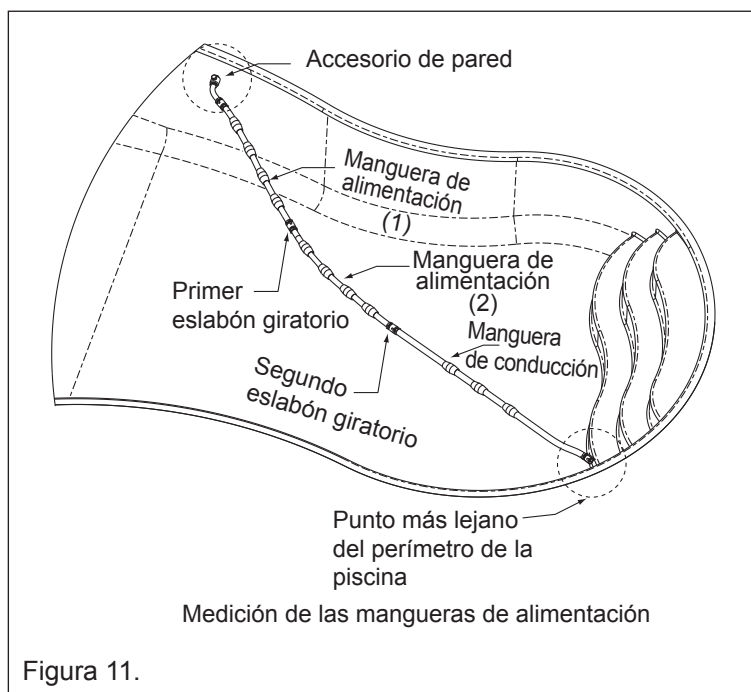


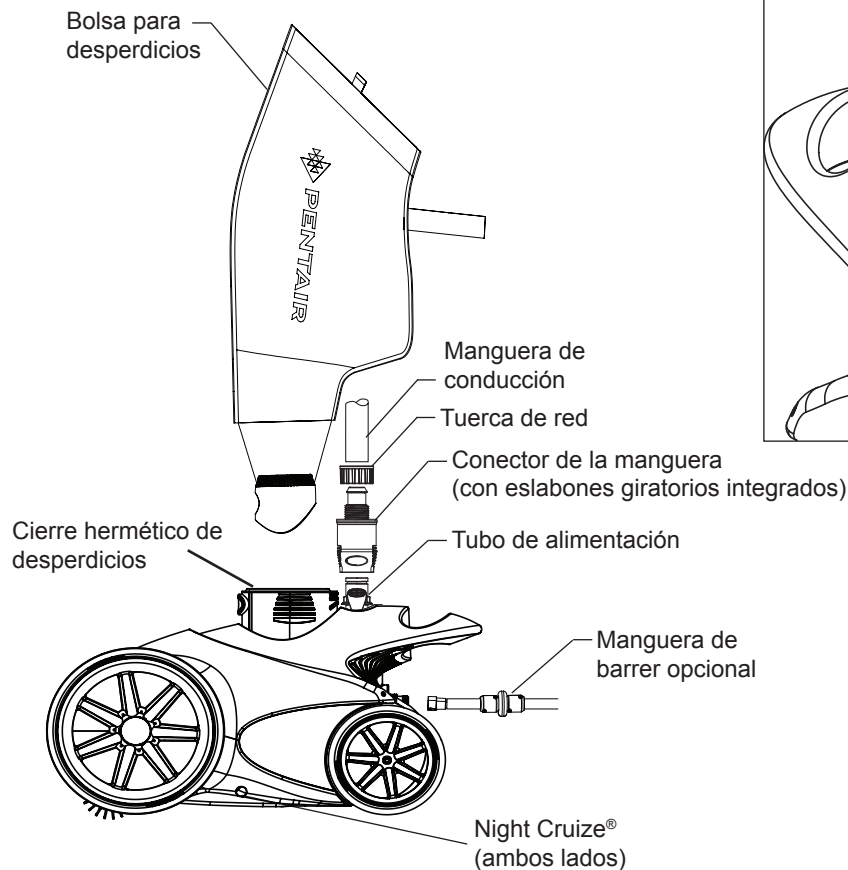
Figura 11.

El montaje del limpiador

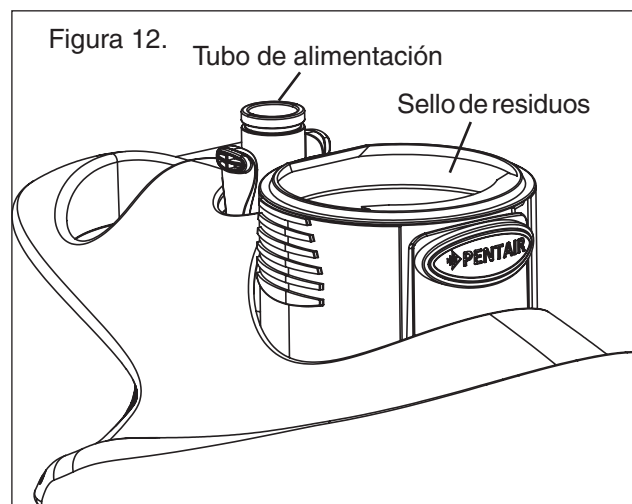
1. Fije Quick Connect conexión en el extremo de la manguera al tubo de alimentación en el limpiafondos. Asegúrese de que los broches estén agarrados.
2. Fije la bolsa de desperdicios al limpiafondos. Empuje la bolsa sobre el tubo al vacío para ponerlo en su lugar.
3. Revise la lista de verificación antes de usar:
 - Las mangueras están bien cortadas y espaciadas uniformemente.
 - Las tuercas de red están ajustadas a la manguera de alimentación.
 - El accesorio de pared está seguro y en su lugar.
 - La bolsa de desperdicios y el conjunto de la manguera fueron fijados.
 - Asegúrese de que los desechos sello se adjunta. **Véase la figura 12.**

Usando el limpiador

1. Baje el limpiafondos cuidadosamente a la piscina.
2. Encienda la bomba del filtro.
3. Espere por lo menos 60 segundos para quitar el aire de la manguera, luego encienda la bomba de refuerzo.
4. Encienda la bomba de refuerzo.



Armado del limpiafondos



AJUSTES DEL LIMPIAFONDOS Y FUNCIONAMIENTO

Funcionamiento del limpiafondos

Nota: El limpiafondos puede necesitar algunos ajustes mínimos para asegurar que su funcionamiento sea adecuado para obtener el mejor rendimiento posible.

Cuando funciona correctamente, el limpiafondos se desplaza en un patrón aleatorio por la piscina, aspirando y fregando la piscina.

- La capacidad de ascender del limpiador depende de la estructura de la piscina y del caudal de agua.
- Un ciclo de limpieza de una hora es lo recomendable para el tamaño promedio de las piscinas residenciales (15' x 30' [4.6 m x 9.1 m]).
- Tendrá mejor rendimiento en piscinas que no tengan transiciones bruscas entre el fondo de la piscina y las paredes.
- El limpiador se pone en modalidad de reversa aproximadamente cada 2-1/2 minutos por durante aproximadamente 15 segundos.
- Si la piscina tiene muchos desperdicios, haga funcionar el limpiafondos en dos ciclos cortos. Vacíe la bolsa de desperdicios entre los ciclos.

Ajuste del chorro de empuje

El chorro de empuje está en la parte trasera del limpiador, debajo del chorro de la manguera de barrer, y ayuda a potenciar la dirección del limpiador. **Véase la figura 13.**

Puede que tenga que ajustar el chorro de empuje según el tamaño de la piscina, de manera tal que se obtenga la mayor cobertura del limpiador.

La posición alterna del chorro que se muestra debajo puede fomentar la capacidad de ascender del limpiador. **Véase la figura 14.**

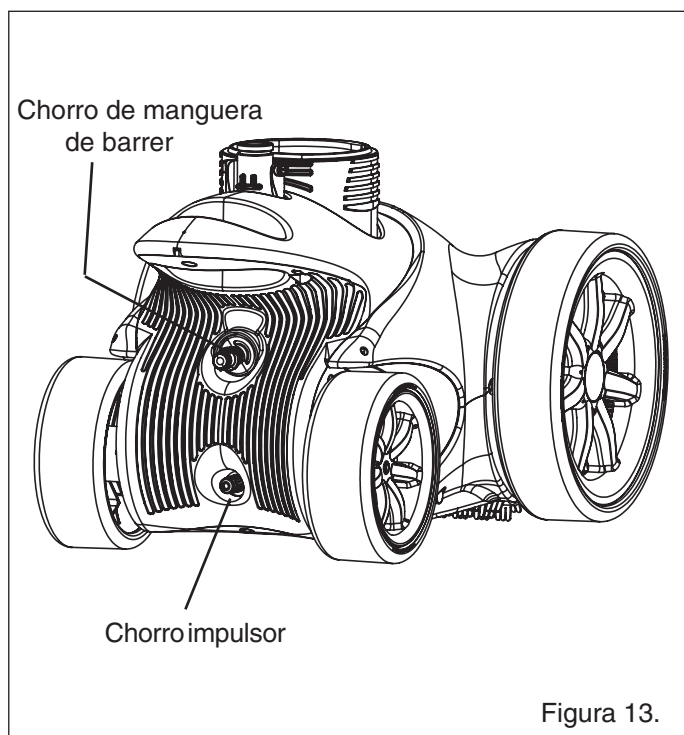
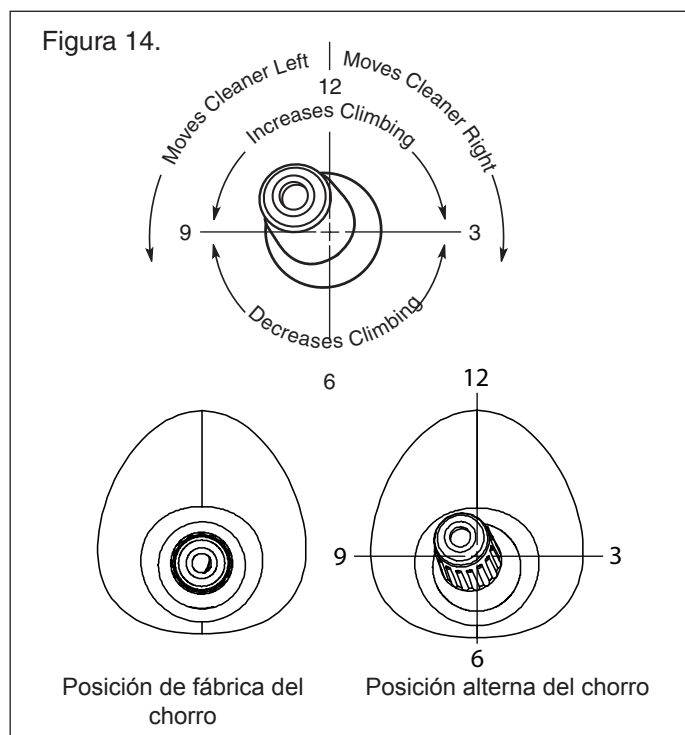


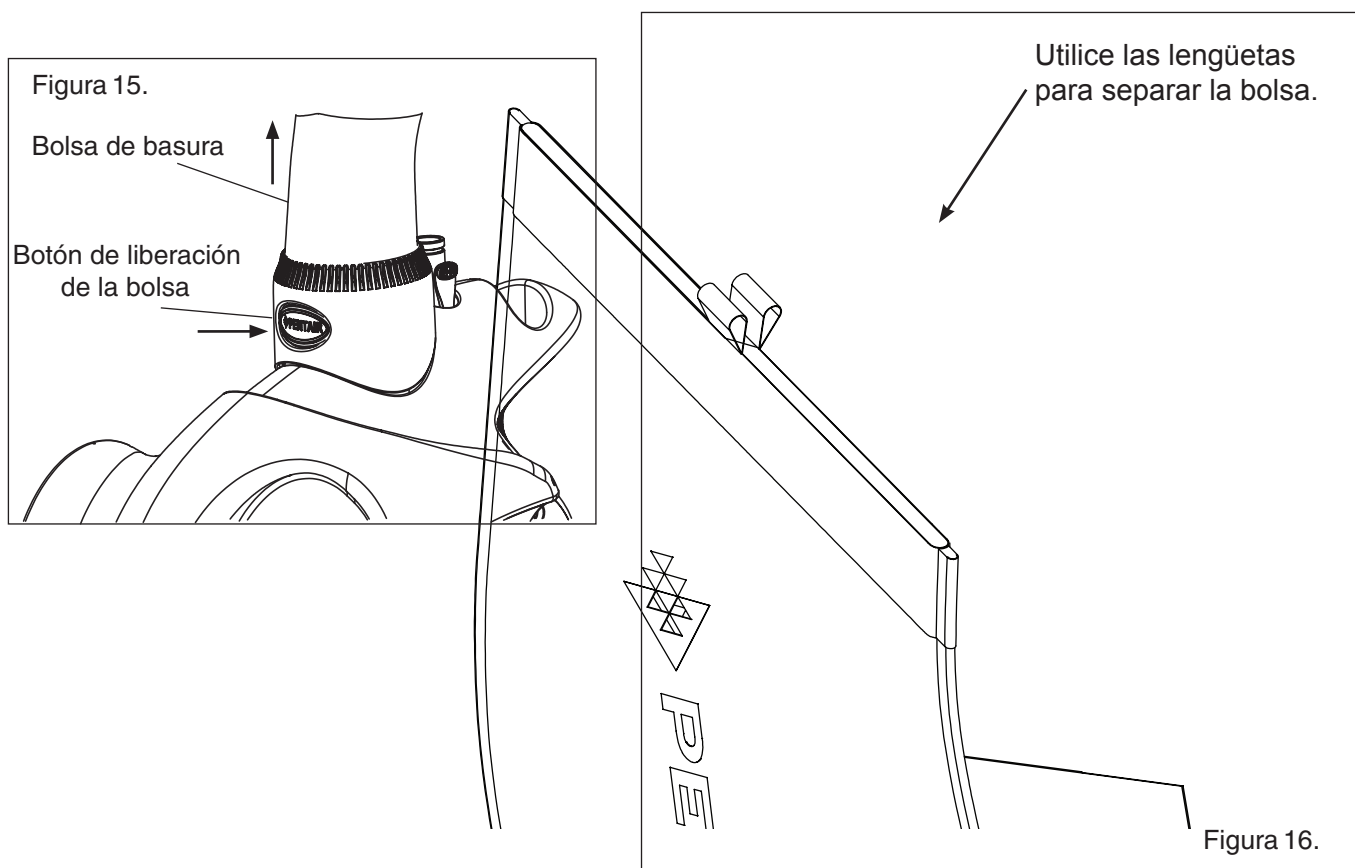
Figura 13.



Limpeza de la bolsa de desperdicios

1. Quite el broche de la bolsa de la manguera.
2. Presione la lengüeta del tubo al vacío del limpiador y con cuidado tire hacia arriba para quitar la bolsa del limpiador. **Véase figura 15.**
3. Abra el cierre de la bolsa al tirar las lengüetas de la tela en la parte de arriba (**Véase figura 16**). Sosteniendo el fondo de la bolsa, dé vuelta para vaciar los desperdicios por la parte de arriba. Si fuera necesario, enjuague la bolsa con la manguera.
4. Para cerrar, presione el velcro en la parte superior de la bolsa y recorra con el dedo el largo de la bolsa para que quede cerrada completamente.
5. Asegúrese de que el sello de desperdicios está en el tubo al vacío. **Véase figura 12 en página 26.**
6. Deslice la boca de la bolsa de desperdicios sobre el tubo al vacío hasta que quede en su lugar.
7. Vuelva a fijar el broche en la manguera de alimentación.
8. Para evitar que la bolsa se doble durante la operación, fije el broche sobre el flotador de la primera línea de alimentación. Deslice el flotador si es necesario.

Nota: Es más fácil vaciar la bolsa de desperdicios cuando está seca. Se puede utilizar una segunda bolsa (comprada por separado) mientras la bolsa de desperdicios se seca.



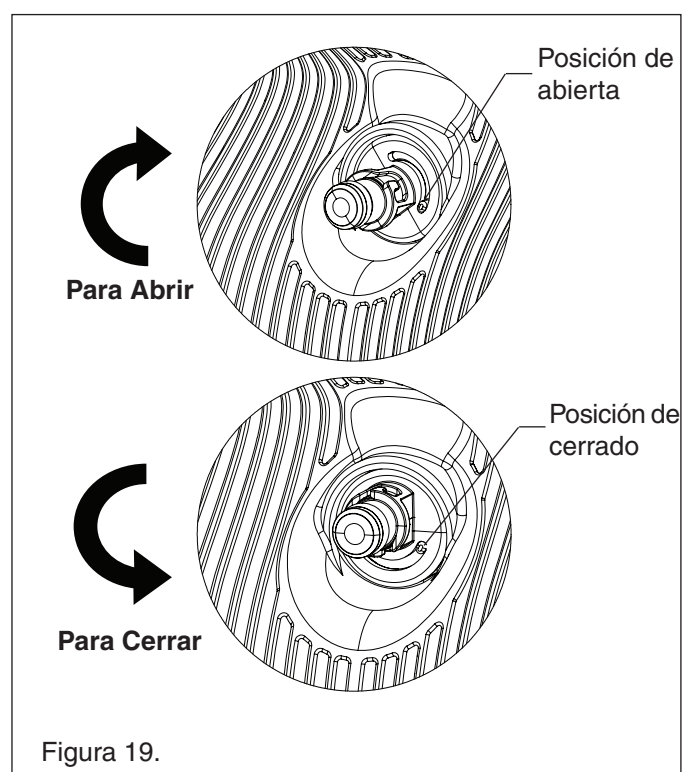
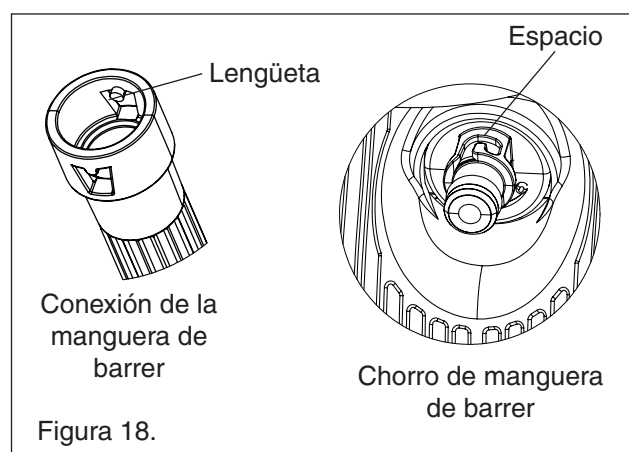
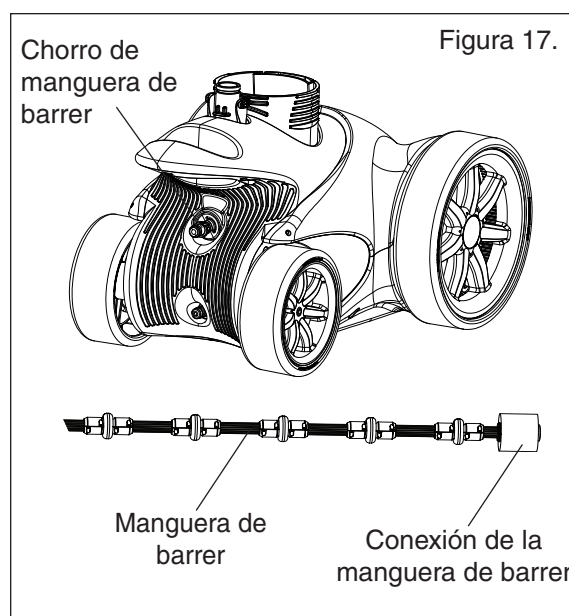
Cómo ajustar el regulador de la manguera de barrer con la manguera de barrer opcional instalada

La manguera de barrer funciona con un movimiento de barrer suave para limpiar los desperdicios de las partes más difíciles de alcanzar, como las esquinas de la piscina. Véase la figura 17.

Nota: 1. No ajuste el regulador de la manguera mientras el limpiafondos esté funcionando. Esto puede dañar el limpiafondos.

2. La manguera de barrer debe ser utilizada para ajustar el regulador de la manguera de barrer.

1. Si prefiere no instalar la manguera de barrer opcional, el limpiafondos quedará listo para funcionar. Para poner la manguera de barrer opcional en el limpiafondos y abrir el regulador de la manguera de barrer, proceda al Paso 2.
2. Para poner la manguera de barrer opcional en el limpiafondos, alinee las pestañas aseguradoras que están dentro del empalme (un accesorio pequeño y redondo que se encuentra en el extremo de la manguera de barrer) con las ranuras correspondientes en el regulador de la manguera de barrer del limpiafondos. Véase la figura 18.
3. El regulador de la manguera de barrer viene de fábrica en la posición de cerrado. Para abrir el regulador de la manguera de barrer, empuje el accesorio de la manguera en el regulador. Cuando no sea posible seguir empujando, gire el empalme de la manguera de barrer **en el sentido de las manijas del reloj** hasta que se detenga (más o menos, a 45 grados). Véase la figura 19. Empuje el empalme de la manguera de barrer, y este quedará en su lugar.
4. Para quitar la manguera de barrer y apagar el regulador, sostenga el empalme de la manguera y gírelo **en contra de las manijas del reloj** hasta que se detenga (más o menos, a 45 grados). Véase la figura 19. Quite el empalme de la manguera de barrer del regulador y guárdelo en un lugar seguro.



MANTENIMIENTO

Mantenimiento periódico

Inspeccione con regularidad los componentes del limpiafondos. Reemplazar y/o reparar los componentes desgastados o dañados. No seguir las instrucciones o instalar inadecuadamente el limpiafondos puede ocasionar daños en el limpiador, el revestimiento de la piscina o el revestimiento de vinilo.

Las siguientes piezas son partes desgastadas que deben ser inspeccionadas periódicamente y reemplazadas cuando se necesite.

Malla del accesorio de pared

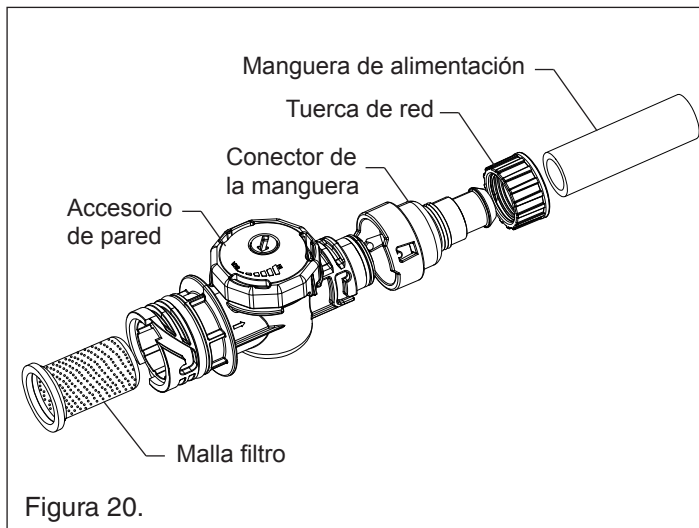
Dentro del accesorio de pared hay una filtro de malla de acero inoxidable que actúa como filtro secundario. Esta malla captura los desperdicios que pueden haber pasado por el filtro de la piscina.

Una malla sucia puede ser un indicador de problemas potenciales en el sistema de filtros de su piscina y puede que necesite contactar a su profesional de piscinas local.

Nota: Utilizar el limpiador sin la malla filtro puede dañar al limpiador y de esta manera anular la garantía.

Para limpiar la malla filtro:

1. Apague la bomba de refuerzo y luego la bomba de filtrado.
2. Quite el accesorio de pared del adaptador de pared.
3. Tire la malla desde adentro del accesorio de pared.
4. Enjuague completamente hasta que esté limpia y vuelva a insertarla en el accesorio de pared.
5. Al limpiar, hacer un lavado contracorriente o reparar el filtro de la piscina, limpie además el accesorio de pared luego del primer ciclo del limpiafondos.



Limpieza de la malla filtro

Llantas

Las llantas están diseñadas para proteger el fondo de la piscina y proporcionar tracción. Las llantas se desgastan y deberán ser reemplazadas ocasionalmente.

Bolsas de desperdicios

El limpiador viene con una bolsa de propósito general y se utiliza para todos los tipos de desperdicios. Reemplace la bolsa cuando la tela se rompa o se agujeree.

Nota: Para extender la vida útil del limpiafondos, sacarlo de la piscina antes de verter químicos.

Manguera de barrer

La manguera de barrer se proporciona como accesorio opcional para ayudar a mantener limpias las esquinas que son difíciles de alcanzar. Reemplace el depurador de la manguera de barrer si fuera necesario si utilizan.

Juntas rotativas de la manguera de barrer

Su manguera de barrer tiene una serie de juntas rotativas para protegerla. Reemplace las juntas si fuera necesario. Asegúrese de que las juntas rotativas puedan rotar libremente.

Lavado contracorriente del filtro de la piscina

Siempre desconecte el limpiafondos de la pared de la piscina antes de limpiar o hacer lavado contracorriente del filtro de la piscina. Luego de limpiar o hacer lavado contracorriente, deje que el sistema de filtrado de la piscina y la bomba de refuerzo funcionen por al menos cinco minutos para purgar el conducto de retorno antes de volver a conectar el limpiador.

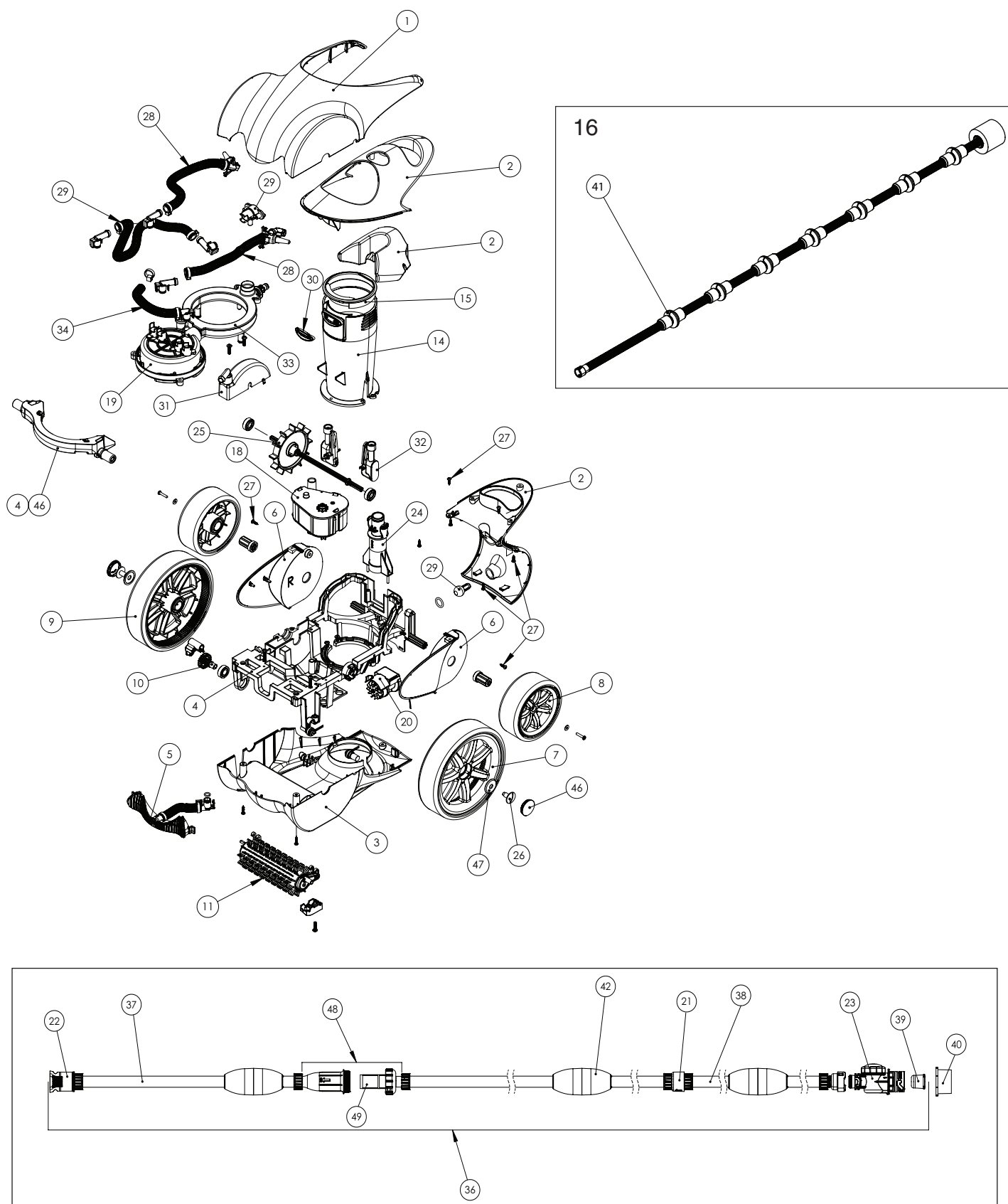
Guardado y preparación para el invierno

Puede dejar el adaptador de pared en la pared y guardar las mangueras rectos, sin áreas pellizcadas. Si usted enrolla la manguera, asegúrese de dejar la manguera estirada al sol de 12 a 24 horas antes de volver a usarla. Utilice el calibrador de caudal para asegurarse de que el caudal sea suficiente para hacer funcionar el limpiador.

[Página en Blanco]

PIEZAS DE REPUESTO

Lista ilustrada de partes del limpiafondos de presión lateral Racer®



Lista de partes del limpiafondos de presión lateral Racer®

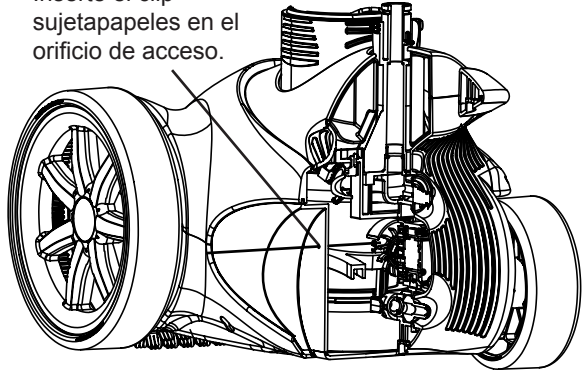
ÍTEM No.	NÚMERO DE PARTE	Descripción	ÍTEM No.	NÚMERO DE PARTE	Descripción
1	360229	Juego de cubierta frontal superior	26	LLC55PMB	Juego de tornillos de rueda
2	360230	Juego de cubierta trasera	27	360255	Juego de tornillos
3	360231	Juego de cubierta de fondo	28	360256	Juego de mangueras de chorro giratorias
4	360391	Juego de chasis	29	360257	Juego de solo manguera de empuje trasero
5	360233	Juego de parrilla frontal	30	360258	Juego de botón de goma
6	360234	Juego de cubierta lateral	31	360414	Juego de turbina
7	360235	Juego de ruedas grandes	32	360260	Juego Venturi múltiple
8	360236	Juego de ruedas pequeñas	33	360261	Juego de manejo del agua
9	360237	Juego de llantas grandes	34	360262	Juego de manguera de turbina
10	360238	Juego de engranaje del depurador	35	360263	Juego de afinación
11	360239	Juego de depurador	36	360264	Juego de manguera de línea de alimentación Completar
12*	360240	Juego de bolsa de desperdicios (sin boca), Gancho y bucle de cierre	37	360265	Juego de manguera con línea de alimentación adicional blanda 3.5m
13*	360241	Juego de boca de bolsa de desperdicios	38	360266	Juego de manguera con línea de alimentación adicional dura 3.5m
14	360242	Juego de tubo al vacío	39	E24	Pantalla de los escombros
15	360243	Juego de la válvula de desperdicios	40	LL23PM	La pared del adaptador roscado
16	360244	Juego de manguera de barrer	41	EB10G	Barrer anillo de desgaste de la manguera
17	360245	Juego de depurador de la manguera de barrer	42	360270	Flotador de línea de alimentación
18	360246	Juego de caja de engranajes	43*	360268	Juego de juntas tóricas de línea de alimentación
19	360247	Juego de válvula cronómetro	44*	360269	Bolsa de desperdicios con cierre mecánico
20	360248	Juego de LED	45*	360274	Juego de cuña de la rueda
21	360249	Juego de eslabón giratorio de línea de alimentación	46	360434	Kit de eje
22	360250	Juego de conector rápido de línea de alimentación	47	EC64	Kit de arandela de la rueda
23	360251	Juego de conector de pared de línea de alimentación	48	360392	Kit de filtro en línea
24	360252	Juego de conector de línea de alimentación	49	360437	Cartucho de pantalla de repuesto
25	360253	Juego de eje propulsor			

Nota: (*) No se muestra

RESOLUCIÓN DE PROBLEMAS

Utilice la siguiente información de solución de problemas para resolver potenciales problemas con el limpiafondos de presión lateral RACER®

Problema	Acción correctiva
El limpiafondos no se mueve o se mueve lentamente.	<p>Asegúrese de que la bomba del filtro y la bomba de refuerzo están encendidas y moviendo agua. (Puede que necesite limpiar el sistema de filtrado de su piscina.)</p> <p>Asegúrese de que el filtro del accesorio de pared no tiene desperdicios; puede que necesite quitarlos y enjuagar.</p> <p>Verifique que haya un caudal apropiado utilizando el Calibrador de caudal (provisto). Vea página 22. Ajuste el caudal en el accesorio de pared si fuera necesario. Vea página 22.</p> <p>Verifique todas las mangueras de alimentación y los eslabones giratorios por si hay pérdidas.</p> <p>Verifique que no haya desperdicios atascados en los dientes del engranaje en ninguna de las ruedas delanteras. Con cuidado rote las ruedas delanteras hacia atrás para remover los desperdicios.</p> <p>Verifique si las ruedas traseras giran libremente y en su lugar. Reemplace las ruedas si fuera necesario.</p>
El limpiador queda colgando en los escalones.	Asegúrese de que las ruedas delanteras (grandes) retrocedan aproximadamente cada 2-1/2 minutos.
El limpiafondos se inclina hacia un lado.	<p>Por lo general indica que la bolsa de desperdicios está llena. Vacíe la bolsa de desperdicios (vea página 28).</p> <p>Nota: El limpiafondos a veces se inclinará hacia un lado (en dos ruedas) durante una vuelta del ciclo. Observe el limpiador por algunos minutos para ver si se vuelve a posicionar derecho.</p>
El limpiafondos no retrocede.	<p>Asegúrese de que las ruedas delanteras (grandes) retrocedan aproximadamente cada 2-1/2 minutos.</p> <p>Verifique que haya un caudal apropiado utilizando el Calibrador de caudal (provisto). Vea página 22. Ajuste el caudal en el accesorio de pared si fuera necesario. Vea página 22.</p>
El limpiafondos no asciende.	<p>Verifique la bolsa de desperdicios. Si está llena, vacíe la bolsa de desperdicios.</p> <p>Verifique que haya un caudal apropiado utilizando el Calibrador de caudal (provisto). Vea página 22. Ajuste el caudal en el accesorio de pared si fuera necesario. Vea página 22.</p> <p>Reposicione el chorro de empuje para incrementar el ascenso (vea página 27)</p> <p>Nota: La capacidad de ascender del limpiador depende de la forma de la piscina y el caudal de agua disponible. Ascenderá más fácilmente en piscinas sin ángulos rectos o en la transición del fondo de la piscina a la pared.</p>
Mangueras enredadas o en bucle.	<p>Verifique la longitud de la manguera de alimentación. Si es muy larga es posible que la manguera se enrede o se forme un bucle. Vea la página 24 para el dimensionado de la manguera de alimentación.</p> <p>Asegúrese de que la manguera de alimentación flote en la superficie de la piscina. Los flotadores de la manguera deben estar a una distancia de dos pies. Vea la página 24 para el posicionamiento de los flotadores de la manguera.</p> <p>Asegúrese de que los eslabones giratorios de la manguera giren libremente. Reemplace los eslabones giratorios si están apretados.</p> <p>Asegúrese de que la manguera de alimentación no esté enroscada ni doblada.</p>
La manguera de barrer se atascó en el tubo al vacío.	Asegúrese de que la válvula reguladora de la manguera de barrer esté totalmente abierta. Vea página 29.

Problema	Acción correctiva
Bomba de refuerzo muy ruidosa	<p>Asegúrese de que la bomba del filtro y la bomba de refuerzo están encendidas y moviendo agua. (Puede que necesite limpiar el sistema de filtrado de su piscina.)</p> <p>Asegúrese de que el accesorio de pared esté correctamente instalado. Si hay pérdidas, puede que haya que reemplazar la junta tórica.</p> <p>Contacte a su profesional de piscinas local, puede que haya un problema con la bomba de refuerzo.</p>
El cepillo frontal del limpiador no gira.	<p>Observe las ruedas delanteras mientras el limpiafondos está funcionando en la piscina. Las ruedas y el cepillo frontal deben rotar simultáneamente.</p> <p>Asegúrese de que el depurador no tenga desperdicios atascados.</p>
Las ruedas traseras se arrastran/no giran.	<p>Asegúrese de que la protección de la rueda esté libre de desperdicios atascados.</p> <p>Nota: Puede que necesite remover la rueda tirando directamente desde la protección para quitar cualquier desperdicio atascado.</p>
Las ruedas traseras se salen.	Reemplace la rueda y la protección de la rueda.
Los LED Night Cruise no se iluminan durante el funcionamiento del limpiafondos. (Nota: El funcionamiento de los LED no afecta el rendimiento del limpiafondos.)	<p>Los desperdicios pueden estar obstruyendo la turbina del generador. Para limpiar los desperdicios de la turbina del generador: Localice el orificio de acceso debajo de la rueda trasera izquierda al quitar la rueda tirando directamente del limpiador. Utilice un clip sujetapapeles largo e insértelo aproximadamente 2 pulgadas [5 centímetros] hacia adentro del orificio de acceso y continúe hasta que se sienta la paleta de la turbina del generador y mueva el clip sujetapapeles hasta que la paleta rote. Rote la paleta varias veces con el clip sujetapapeles para quitar los desperdicios.</p> <p>Inserte el clip sujetapapeles en el orificio de acceso.</p> 

Piscinas revestidas con vinilo y con ángulos de transición agudos

En algunas piscinas con secciones profundas, el ángulo de transición de la parte profunda a la poco profunda puede causar que el limpiafondos tenga dificultad en hacer la transición en ese ángulo. En este caso, puede que tenga que insertar una cuña en cada uno de los bordes de las ruedas, para que el limpiafondos pueda hacer la transición. Las cuñas proporcionadas crean un desnivel en la llanta y ayudan a que el limpiafondos no se obstruya. No son necesarias para todas las piscinas.

Nota: Instale cada cuña horizontalmente y alineadas entre sí. Si las cuñas no se alinean entre sí pueden causar que el limpiafondos tenga dificultades con el ángulo de transición. Esto es importante para el buen funcionamiento del limpiafondos. **Véase la figura 21.**

1. Instale una cuña en cada uno de los bordes de las llantas: Para instalar la cuña, empuje las gomas de las ruedas plásticas y presione el inserto firmemente en el borde entre la goma y la rueda. La parte lisa del extremo inferior de la cuña debe insertarse primero, desde afuera hacia adentro de las ruedas del limpiafondos. **Véase la figura 22.** Asegúrese de que las ranuras en las ruedas y las de la parte de abajo de la cuña se aseguren entre sí.
2. Presione la cuña hacia el frente del cuerpo del limpiafondos hasta que se asiente detrás del borde de la goma. **Véase la figura 21.**

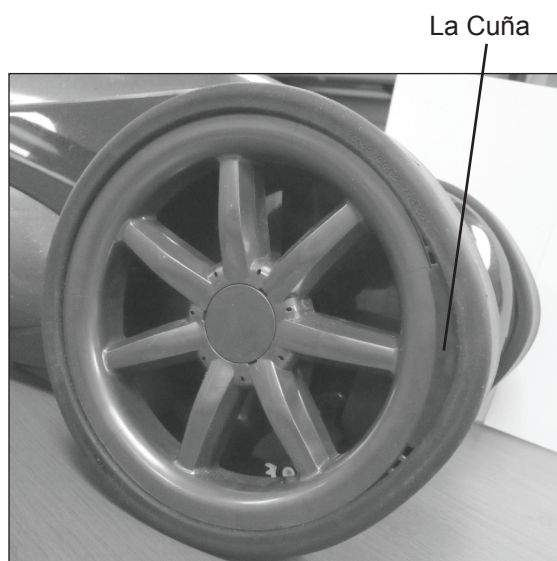


Figura 21.

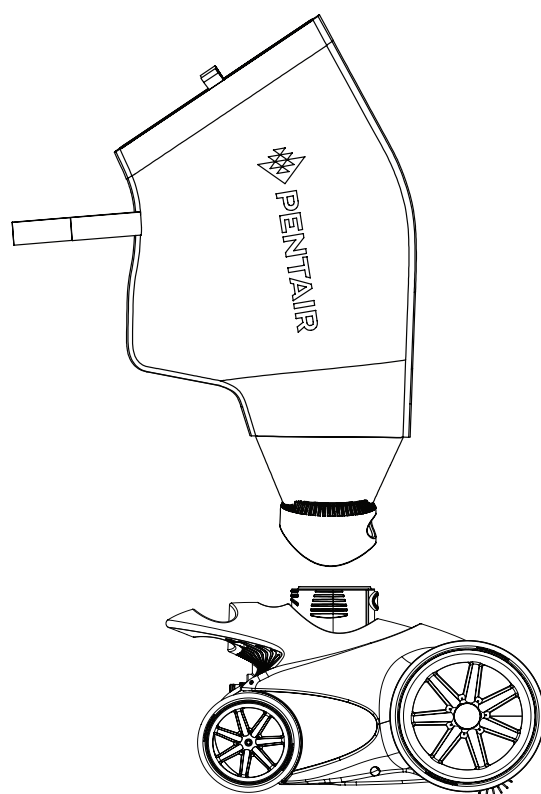


Figura 22.



RACER®

NETTOYEUR DE PAROIS DE PISCINE À PRESSION



FRANÇAIS

GUIDE D'INSTALLATION D'UTILISATION

CONSIGNES IMPORTANTES DE SÉCURITÉ
LIRE ET SUIVRE TOUTES LES DIRECTIVES
CONSERVER CES DIRECTIVES

SERVICE À LA CLIENTÈLE/SOUTIEN TECHNIQUE

Si vous avez des questions sur la commande de pièces de rechange et produits pour piscines Pentair Aquatic Systems, veuillez contacter :

Service à la clientèle et soutien technique, É.-U.
(8 h à 19 h – heures Est/Pacifique)

Tél. : 800 831-7133

Télé. : 800 284-4151

Site Web

Visitez www.pentairpool.com ou www.staritepool.com

Sanford, Caroline du Nord (8 A.M. to 4:30 P.M. ET)

Tél. : 919 566-8000

Télé. : 919 566-8920

Moorpark, Californie (8 A.M. to 4:30 P.M. PT)

Tél. : 805 553-5000 (poste 5591)

Télé. : 805 553-5515

TABLE DES MATIÈRES

Avertissements et consignes de sécurité importants	39	Entretien	50
Information sur la garantie	41	Grille du raccord mural	50
Composants du nettoyeur	41	Pneus	50
Aperçu	41	Sacs à débris	50
Installation	42	Tuyau de balayage	50
Installation de la pompe d'appoint	42	Bagues de roulement du tuyau balai	50
Réglage du débit d'eau au nettoyeur	42	Lavage à contre-courant du filtre de la piscine	50
Calcul de la vitesse et des tr/min du nettoyeur	43	Rangement et hivernage	50
Adaptation de l'assemblage du tuyau à la piscine	44	Pièces de rechange	52
Utilisation du nettoyeur	46	Dépannage	54
Utiliser du nettoyant	46	Piscines avec des revêtements en vinyle et des pentes très prononcées	56
Réglages et fonctionnement du nettoyeur	47		
Fonctionnement du nettoyeur	47		
Réglage du jet de propulsion	47		
Nettoyage du sac à débris	48		
Réglage du régulateur pour tuyau balai avec le tuyau balai optionnel installé	49		

© 2017 Pentair Water Pool and Spa, Inc. Tous droits réservés.

Ce document peut être modifié sans avis préalable.

1620 Hawkins Ave., Sanford, NC 27330 • 919 566-8000
10951 West Los Angeles Ave., Moorpark, CA 93021 • 805 553-5000

Toutes les marques de commerce et logos Pentair sont la propriété de Pentair, Inc. Pentair Aquatic Systems®, Night Cruize® et RACER® sont des marques de commerce ou des marques déposées de Pentair Water Pool and Spa, Inc. ou de ses sociétés affiliées aux États-Unis ou dans d'autres pays. Sauf indication expressément contraire, les noms et marques de tiers qui peuvent être utilisés dans le présent document ne sont pas utilisés pour indiquer une affiliation ou une approbation entre les propriétaires de ces marques et Pentair Water Pool and Spa, Inc. Ces noms et marques peuvent être des marques de commerce ou des marques déposées de ces tiers. Parce que nous améliorons constamment nos produits, Pentair se réserve le droit de changer ses spécifications sans avis préalable.

Pentair offre l'égalité d'accès à l'emploi.

P/N 371004 Rév. D 3/30/17

AVERTISSEMENT ET CONSIGNES DE SÉCURITÉ IMPORTANTS



Avis important :

À l'attention de l'installateur : ce guide contient des informations importantes concernant l'installation, le fonctionnement et l'utilisation sécurisée de ce produit. Cette information doit être remise au propriétaire ou à l'utilisateur de cet équipement après l'installation du nettoyeur de piscine.


À l'attention de l'utilisateur : ce manuel contient des informations importantes qui vous aideront à utiliser et à assurer l'entretien de ce nettoyeur de piscine. Veuillez le conserver pour référence future. Consultez Pentair si vous avez des questions concernant cet équipement.



AVERTISSEMENT Avant d'installer ce produit, lisez et respectez toutes les consignes d'avertissement et les instructions comprises.

Toute effraction à ces consignes de sécurité et instructions peut causer des blessures graves ou mortelles, ou des dommages matériels. Composez le 1 800 831-7133 pour recevoir gratuitement des manuels de consignes de sécurité supplémentaires.

Information pour le client et la sécurité

Ce nettoyeur de piscine est conçu et fabriqué pour servir pendant de nombreuses années de façon sûre et fiable si son installation, son fonctionnement et son entretien respectent les informations contenues dans ce manuel. Dans tout ce manuel, des avertissements de sécurité et des avis de précaution sont identifiés par le symbole «  ». Assurez-vous de lire et de vous conformer à tous les avertissements et avis de précaution.



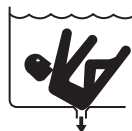
ASPIRATION DANGEREUSE

Ne jouez pas avec le nettoyeur ou le tuyau et ne les appliquez pas sur le corps. Il peut piéger ou arracher les cheveux ou des parties du corps. Le tuyau peut faire trébucher ou s'emmêler avec les nageurs, ce qui peut causer une noyade.



DANGER DE PIÉGEAGE, DE BLESSURE ET DE NOYADE PAR ASPIRATION

Si votre piscine est munie d'un port d'aspiration spécialisé (« vac port ») pour le nettoyage par aspiration ou pour un aspirateur de piscine automatique, il doit être couvert lorsqu'il n'est pas utilisé. Un couvercle de sécurité à ressort (« vac port fitting ») est inclus avec votre nettoyeur. Installez-le sur votre port d'aspiration pour empêcher le piégeage et les blessures. Si le couvercle fourni ne convient pas, achetez le modèle qui convient chez votre fournisseur de piscine local et installez-le à sa place. Le couvercle doit être conforme à la norme IAPMO SPS4-99A.



Arrêtez la pompe avant de nettoyer l'appareil. Ne permettez pas l'utilisation de la piscine lors du fonctionnement du nettoyeur.



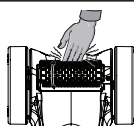
Pour réduire le risque de blessure, ne laissez pas les enfants utiliser ou jouer avec le nettoyeur de piscine.



Ne permettez pas l'utilisation de la piscine lors du fonctionnement du nettoyeur. Le tuyau peut faire trébucher et s'emmêler avec les baigneurs, ce qui peut causer une noyade.



Les pièces en mouvement peuvent blesser les mains ou les doigts. Arrêtez la pompe avant de nettoyer la tête du nettoyeur de piscine.



Informations générales d'installation

Liste de vérification avant l'installation

Avant d'installer votre nettoyeur, réviser et comprendre tous les avertissements et l'information de sécurité contenus dans ce guide. Le fait de ne pas suivre ces instructions ou une installation incorrecte du nettoyeur peuvent causer des dommages au revêtement de la piscine ou à la membrane de vinyle. La plupart des nettoyeurs ne sont pas conçus pour traverser du fond aux parois lorsque la gorge de piscine est de 90 %. Il peut y avoir d'autres structures installées dans la piscine autour desquelles le nettoyeur ne peut pas naviguer, SOYEZ-EN CONSCIENT et surveillez le nettoyeur lorsque des conditions uniques sont présentes. Pentair Aquatic Systems décline toute responsabilité pour les réparations ou le remplacement d'une quelconque de ces structures ou composants de la piscine du client.

Avant d'installer le nettoyeur dans une piscine munie d'une membrane de vinyle :

vérifiez soigneusement la membrane pour tout signe de détérioration ou de dommages attribuables à l'âge, aux produits chimiques, à des dommages de la paroi, etc. Si vous constatez des dommages, demandez à un professionnel de piscines qualifié d'effectuer toutes les réparations nécessaires. Aussi, s'il y a des cailloux, des racines, etc. sous la membrane, retirez-les avant d'installer le nettoyeur.

Avant d'installer le nettoyeur dans une piscine de gunité ou une piscine carrelée en partie ou en totalité :

Assurez-vous que le revêtement de la piscine est en bon état, car les taches, l'attaque d'un produit chimique, les fissures ou le décollage peuvent empirer.

Réparez ceux qui se détachent et revissez les anneaux des lumières.

Avant d'installer le nettoyeur, nettoyez votre système de filtration :

Assurez-vous que vous avez nettoyé le filtre, y compris le lavage à contre-courant, le rinçage et videz tous les paniers. Un système propre est nécessaire pour le fonctionnement correct du nettoyeur et sa portée.

Avant d'installer le nettoyeur, comprenez la portée du nettoyeur :

Le nettoyeur est conçu pour débarrasser votre piscine de débris dans une période de 4 à 6 heures environ. Cela peut prendre moins de temps, selon la dimension de la piscine. Le nettoyeur n'est pas conçu pour nettoyer automatiquement des marches ou des sorties de piscine ou pour fonctionner sous une toile solaire. Le nettoyeur peut se coincer dans ces zones, ce qui peut endommager le revêtement de la piscine ou la membrane de vinyle. Pentair Aquatic Systems décline toute responsabilité pour les réparations ou le remplacement d'une quelconque de ces structures ou composants de la piscine du client. Il n'est pas conçu non plus pour le nettoyage initial d'une piscine neuve ou pour l'ouverture de votre piscine pour la saison.

APRÈS l'installation du nettoyeur, assurez-vous qu'il fonctionne correctement :

Le nettoyeur peut avoir besoin de quelques réglages mineurs pour s'assurer qu'il fonctionne correctement afin qu'il n'y ait pas de dommages au revêtement de la piscine. Certains motifs de membrane de vinyle sont particulièrement susceptibles à l'usure de surface, l'élimination du motif ou de l'encre par friction, ou à de sérieuses éraflures du motif causées par des objets entrant en contact avec la surface du vinyle, y compris les nettoyeurs automatiques de piscines. Pentair Aquatic Systems n'est pas responsable de toute élimination du motif, abrasions ou marques sur les membranes de vinyle. Inspectez régulièrement les composants du nettoyeur et la performance du nettoyeur pour vous assurer qu'il fonctionne comme prévu. Remplacez et/ou réparez tous les composants usés ou endommagés. Le fait de ne pas suivre les instructions ou une installation incorrecte du nettoyeur peuvent causer des dommages au nettoyeur, au revêtement de la piscine ou à la membrane de vinyle.

Les avertissements et consignes de sécurité pour les pompes et autres produits connexes de Pentair Aquatic Systems sont disponibles sur : <http://www.pentairpool.com/support/product-warnings.html> Composez le 1-800 831-7133 pour des exemplaires supplémentaires gratuits de ces instructions. Veuillez vous référer à <http://www.pentairpool.com/support/product-warnings.html> pour les avertissements et consignes de sécurité relatives à ce produit.

AVERTISSEMENT ET CONSIGNES DE SÉCURITÉ IMPORTANTS

Déni de responsabilité À propos de votre nettoyeur de parois de piscine à pression

Il y a une multitude de facteurs qui contribuent à la durée de vie de votre piscine. Le nettoyeur de piscine est un produit très passif qui n'a aucun impact sur la durée de vie de la piscine.

Veillez noter qu'au fil du temps, la détérioration, la décoloration ou l'effritement de tout revêtement de piscine peuvent être causés séparément par l'âge, un déséquilibre chimique de l'eau de la piscine, une installation incorrecte ou une combinaison de ces facteurs ainsi que d'autres facteurs. Les nettoyeurs de parois de piscine à pression n'arracheront ni ne causeront d'usure à un « bon » revêtement de piscine. En fait, c'est le contraire qui se produit. Le revêtement de piscine finit par causer une usure du nettoyeur.

La même situation s'applique aux piscines creusées avec membrane de vinyle, car les membranes de vinyle sont aussi affectées par l'environnement et des facteurs tels que la chimie de l'eau de la piscine, la lumière du soleil et les environs de la piscine. Donc, avec le temps, le vinyle peut devenir cassant et fragile. De plus, les piscines avec membrane de vinyle sont affectées par la qualité de la main-d'œuvre, la composition et l'installation de la membrane et la qualité de la main-d'œuvre et de construction des murs de soutènement et de la base de la piscine. Tous ces facteurs peuvent contribuer à un défaut de la membrane. L'existence de l'un de ces types de conditions dans votre piscine n'est pas causée par l'utilisation ou le fonctionnement du nettoyeur de piscine. Le fabricant décline toute responsabilité pour les réparations ou le remplacement d'une quelconque de ces structures ou composants de la piscine du client.

Le propriétaire de la piscine doit assumer l'entière responsabilité pour l'état et l'entretien de la surface de la piscine, l'eau et la terrasse.

Avant l'installation du nettoyeur, veuillez prendre le temps de noter son numéro de série. Ce numéro est inscrit sur votre bon de garantie et au dos du nettoyeur, près des jets arrière. Vous devrez fournir ce numéro si vous contactez le Service du soutien technique.

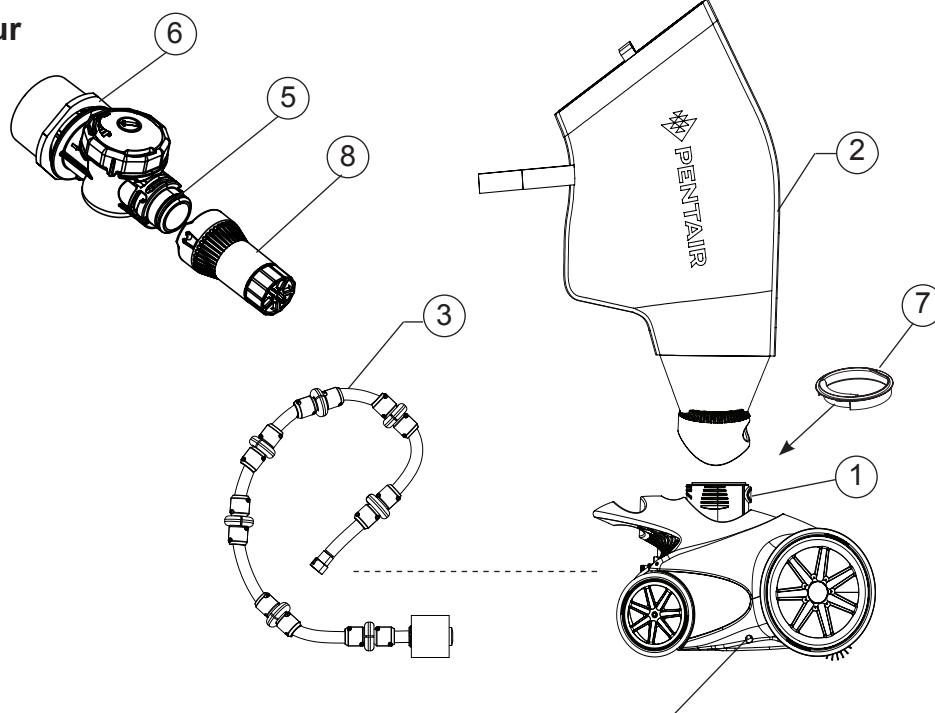
N° DE SÉRIE _____

CONSERVER CES DIRECTIVES

APERÇU

Composants du nettoyeur

1. Tête du nettoyeur
 2. Sac à déchets
 3. Tuyau balai (Pas nécessaire dans la plupart des piscines)
 4. Assemblage du tuyau d'alimentation – non illustré (sections 3 pieds à 10 pieds/1 m à 3 m)
 5. Connecteur mural
 6. Adaptateur mural
 7. Joint anti-débris
- REMARQUE :** Le système de nettoyage est livré avec joint de débris installé à l'intérieur de la tête de nettoyeur.
8. Débitmètre



Aperçu

Le nettoyeur de parois de piscine à pression RACER® exécute une gestion de l'eau séquentielle en se déplaçant tout droit, à droite, à gauche et en remontant de manière aléatoire pendant que le nettoyeur se détache de la paroi à travers la piscine tout en aspirant, frottant et balayant le fond. Votre nettoyeur de piscine est muni d'un connecteur mural QuickConnect, qui se verrouille en tournant et possède un débitmètre.

- Pour un nettoyage continu et ininterrompu, le nettoyeur se mettra en marche arrière toutes les deux minutes, ce qui lui permet de nettoyer la piscine efficacement.

REMARQUE : avant d'installer et de faire fonctionner votre nettoyeur, lisez ces directives importantes :

1. Débranchez toujours le nettoyeur du mur de la piscine lors du nettoyage ou lavage à contre-courant du filtre de la piscine.
2. Après le nettoyage ou le lavage à contre-courant, laissez le système de filtration fonctionner au moins cinq minutes avant de rebrancher le nettoyeur.
3. Les conduites de plomberies neuves doivent être rincées avant d'installer le nettoyeur.
4. Le nettoyeur ne doit pas être utilisé pour enlever la poussière de plâtre dans les piscines neuves.
5. Enlevez toujours le nettoyeur avant que les baigneurs n'entrent dans la piscine.
6. Manipulez toujours le nettoyeur avec soin.
7. Prenez toujours le nettoyeur par la poignée, surtout pour le sortir de l'eau.
8. Ne touchez pas au nettoyeur lorsqu'il est en marche.

9. Enlevez toujours le nettoyeur de la piscine avant les traitements de choc chimiques (super chloration). En règle générale, toute eau de piscine dangereuse pour les baigneurs est dangereuse pour le nettoyeur.
10. Coupez soigneusement le tuyau d'alimentation en suivant les instructions en page 43.
11. En suivant ces simples directives, vous pouvez aider à la protection contre les blessures et prolonger la durée de vie de votre nettoyeur.
12. Référez-vous aux « Avertissement et consignes de sécurité importants » des pages 39-40 pour des informations supplémentaires en matière d'installation et de sécurité.
13. Avant d'installer votre nettoyeur de piscine RACER : s'il y a un chlorateur, système solaire, générateur d'ozone ou équipement d'induction de l'air, contactez le Soutien technique au 1 800 831-7133.

INSTALLATION

Installation de la pompe d'appoint

Si vous avez déjà une pompe d'appoint installée et opérationnelle, sautez cette étape et passez à la section « Installation du raccord mural et de l'adaptateur »

Veuillez vous référer aux instructions de votre pompe d'appoint pour plus de renseignements sur l'installation.

Suivez ces instructions soigneusement.

Installation du raccord mural et de l'adaptateur mural

1. Enlevez et débranchez tout nettoyeur de piscine et/ou raccord mural existant.
2. Mettez en marche la pompe de filtrage et la pompe d'appoint pour rincer la plomberie.
3. Arrêtez la pompe de filtrage et la pompe d'appoint.
4. Insérez l'adaptateur mural dans la conduite de retour fileté NPT de 1-1/2 po (38 mm). Serrez à la main. **Voir la Fig. 1.**
5. Alignez le raccord mural avec la cheville de verrouillage rapide à l'intérieur de l'adaptateur mural. Tournez de ¼ de tour dans le sens horaire pour verrouiller le raccord mural. **Tirez légèrement vers l'extérieur afin d'assurer un bon alignement pour engager les chevilles de verrouillage rapide.** Voir la Fig. 1.

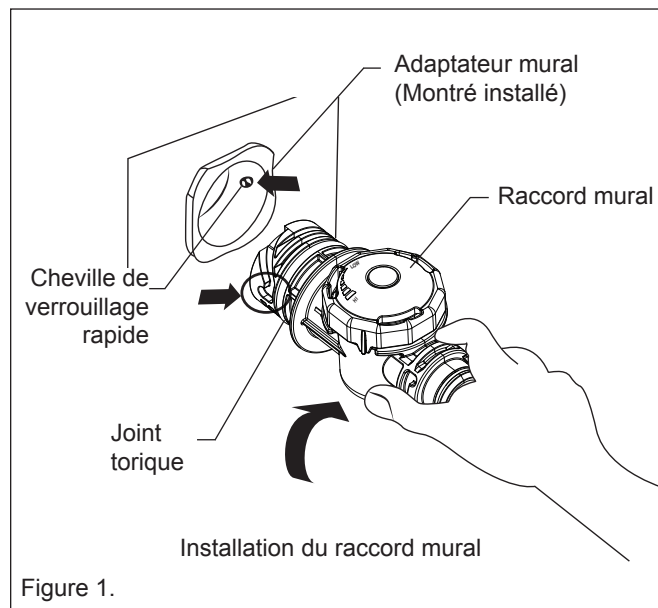


Figure 1.

Réglage du débit d'eau au nettoyeur

IMPORTANT! Avant de commencer cette procédure, assurez-vous d'arrêter la pompe du filtre et la pompe d'appoint.

1. Connectez le débitmètre au raccord mural en alignant les deux onglets sur le débitmètre. **Voir la Figure 2.** Poussez et tournez le débitmètre dans le sens horaire jusqu'à ce qu'il s'arrête, puis tirez-le légèrement de la paroi. Assurez-vous que le débitmètre est verrouillé en place en le tournant dans le sens antihoraire tout en le tirant légèrement. **Voir la Figure 3.**
- Remarque :** le débitmètre ne tourne pas quand il est verrouillé en place.
2. Mettez en marche la pompe du filtre, puis la pompe d'appoint.
3. Vérifiez que le diaphragme (sur le levier à ressort) est aligné avec la marque sur le débitmètre. **Voir la Figure 4.**
4. Ajustez la vanne sur le raccord mural avec un tournevis plat en tournant la vanne dans le sens horaire (pour réduire le débit) ou antihoraire (pour augmenter le débit) afin que le diaphragme s'aligne avec les flèches sur les marques du débitmètre. **Voir la Figure 5.**
5. Arrêtez la pompe d'appoint, puis la pompe du filtre.
6. Retirez le débitmètre du raccord en poussant et en tournant dans le sens antihoraire, puis en retirant le débitmètre.
7. Branchez l'assemblage de tuyau déjà coupé à la dimension au raccord mural. Tournez dans le sens horaire, puis poussez d'un quart de tour pour le fixer fermement (tel qu'il est décrit à l'Étape 1).

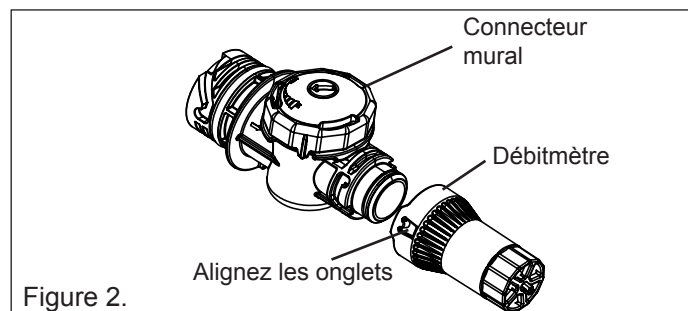


Figure 2.

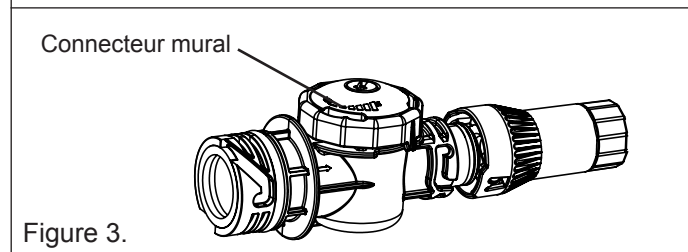


Figure 3.

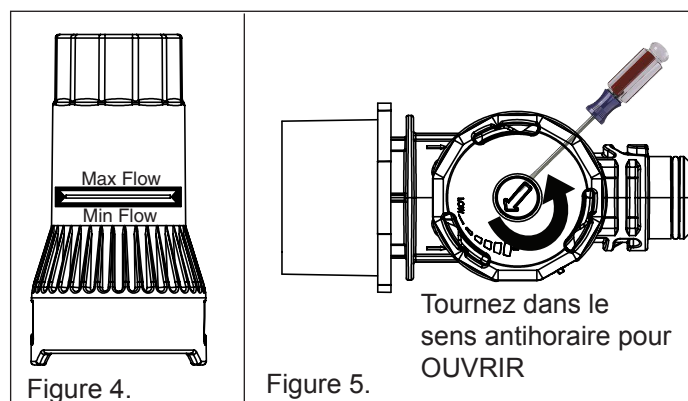


Figure 4.

Figure 5.

Calcul de la vitesse et des tr/min du nettoyeur

1. Afin de déterminer si le nettoyeur reçoit la pression d'eau nécessaire, désactiver la pompe pour piscine, puis soigneusement sortir le nettoyeur de la piscine.
2. Avec un feutre, dessiner une ligne noire sur la roue avant.
3. Demander à une autre personne de démarrer la pompe de la piscine et la pompe d'appoint tandis que vous posez le nettoyeur juste sous la surface de l'eau.

Remarque : ne pas oublier de tenir le tuyau balai (si installé) pour ne pas vous mouiller; l'eau remontera au régulateur pour tuyau balai une fois la pompe redémarrée.

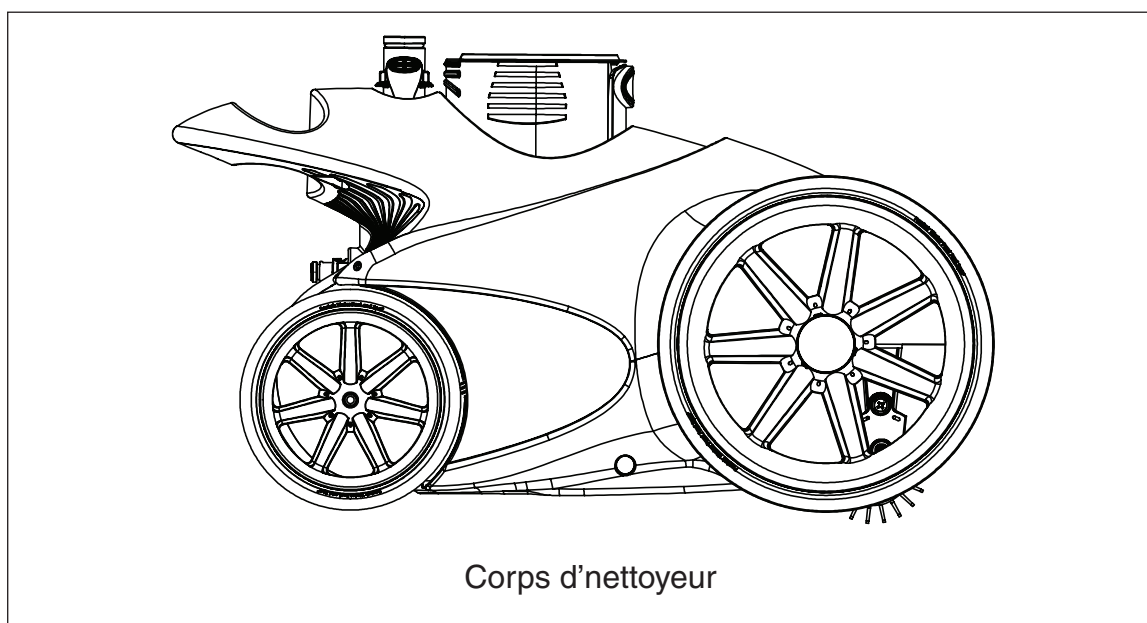
4. **Remarque** : avant de commencer, vérifier que la valve de secours n'est pas activée.

Compter le nombre de tours complets de la marque noire sur la roue pendant environ une minute. Le nombre de tours complets représente la vitesse de fonctionnement (les tours par minute – tr/min) du nettoyeur.

5. Lorsque le nettoyeur fonctionne correctement, sa vitesse est de 31 à 33 tr/min avec le tuyau balai et de 33 à 36 tr/min sans le tuyau balai.

Si la vitesse du nettoyeur est inférieure à 31 tr/min avec le tuyau balai, ou 33 tr/min avec le tuyau balai, contacter votre professionnel en piscine local ou joindre le service à la clientèle au 1-800-831-7133.

Si la vitesse du nettoyeur est supérieure à 33 tr/min avec le tuyau balai, ou supérieure à 36 tr/min sans le tuyau balai, ajuster la valve au niveau de l'applique de la paroi, comme décrit dans la section « Réglage du débit d'eau au nettoyeur » à la page 42, jusqu'à ce que la vitesse corresponde à la vitesse optimale décrite ci-dessus.



Adaptation de l'assemblage du tuyau à la piscine

L'assemblage du tuyau comprend trois (3) sections de 10 pieds [3 mètres] : un (1) tuyau de tête souple et deux (2) tuyaux semi-rigides.

Remarque : Le tuyau de tête souple est gris clair et muni de trois flotteurs. Les tuyaux semi-rigides sont d'un gris plus foncé et munis de quatre flotteurs chacun.

Important pour la performance du nettoyeur :

mesurez, coupez et assemblez ces sections de tuyau comme il est décrit aux Étapes 1 et 2. Utilisez des ciseaux robustes ou un couteau bien aiguisé pour couper les tuyaux, assurez-vous de glisser les flotteurs pour dégager l'emplacement de la coupe. Coupez les extrémités du tuyau aussi droit que possible.

Étape 1 : Mesure du tuyau de tête

1. Mesurez la partie la plus profonde de la piscine. **Voir la Figure 6.**

Remarque : la grille ou le dôme du drain principal au fond de la piscine est en général le point le plus profond. Si la profondeur est supérieure à 10 pieds [3 mètres], ne coupez pas le tuyau, et passez à l'Étape 2.

2. Si la profondeur de la piscine est inférieure à 10 pieds [3 mètres], débranchez le tuyau souple depuis le bout pivotant. Coupez le tuyau pour que sa longueur soit égale à la profondeur maximale de la piscine. **Voir la Figure 7.**

Exemple : si la profondeur de la piscine est de 8 ½ pi (2,5 m), coupez 1 ½ pi (50 cm) du bout connecté au second pivot (puisque la longueur du tuyau est de 10 pi/3 m)

3. Mettez au rebut l'excédent de tuyau. Reconnectez le tuyau que vous venez de couper au pivot sur le tuyau d'alimentation. Les trois sections doivent maintenant être connectées.

Étape 2 : Mesure des tuyaux d'alimentation (Sections 2 et 3)

1. Connectez l'assemblage des tuyaux au raccord mural. **Voir la Figure 8.** Puis connectez le raccord mural (avec le tuyau) à l'adaptateur mural. **Voir la Figure 8.** Prenez l'autre bout de l'assemblage des tuyaux et allez au point de la piscine le plus éloigné de l'adaptateur mural. **Pour éviter d'étirer le tuyau, laissez-le flotter sur l'eau de la piscine.** Mesurez l'excédent de longueur de tuyau (la portion de tuyau qui s'étend au-delà du bord de la piscine). Ceci détermine la longueur de tuyau à couper depuis les tuyaux d'alimentation semi-rigides (**sections 2 et 3**).
2. Débranchez l'assemblage du tuyau d'alimentation de l'adaptateur mural. Débranchez les tuyaux semi-rigides du premier pivot près de l'adaptateur mural.
3. Coupez la moitié de la longueur totale de l'excédent de chacune des sections de 3 m (10 pi) de tuyau semi-rigide (munies de quatre flotteurs) également. **Les deux sections de tuyau d'alimentation doivent avoir la même longueur après la coupe.**

Exemple : s'il y a 1,8 m (6 pi) d'excédent de tuyau. Coupez 0,9 m (3 pi) de chaque tuyau semi-rigide. (Moitié de 1,8 m ou 6 pi = 0,9 m ou 3 pi chacune)

Si vous coupez plus de 0,9 m (3 pi) de chaque tuyau, enlevez un (1) flotteur de chaque section.

Remarque : pour les grandes piscines nécessitant une longueur de tuyau supplémentaire, vous devez acheter un (1) kit de tuyau supplémentaire, n° de pièce 360266 (tuyau rigide simple de 3 m/10 pi), Branchez le tuyau supplémentaire au raccord mural en utilisant le pivot et les écrous de serrage fournis.

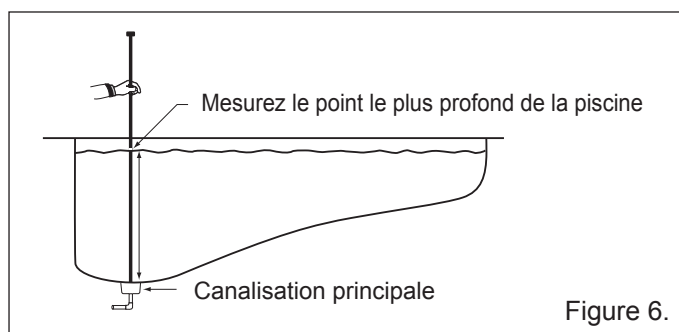


Figure 6.

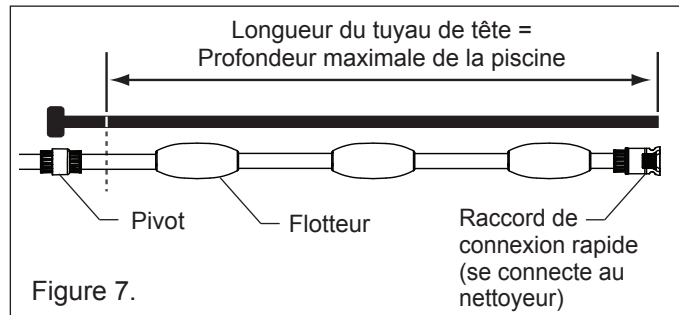


Figure 7.

Mesure du tuyau de tête

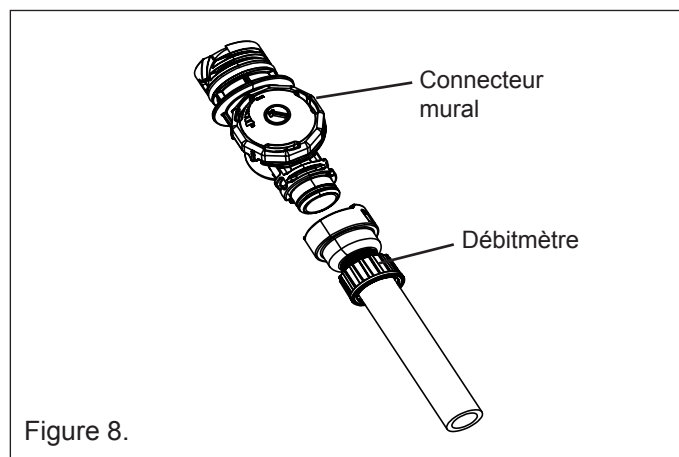


Figure 8.

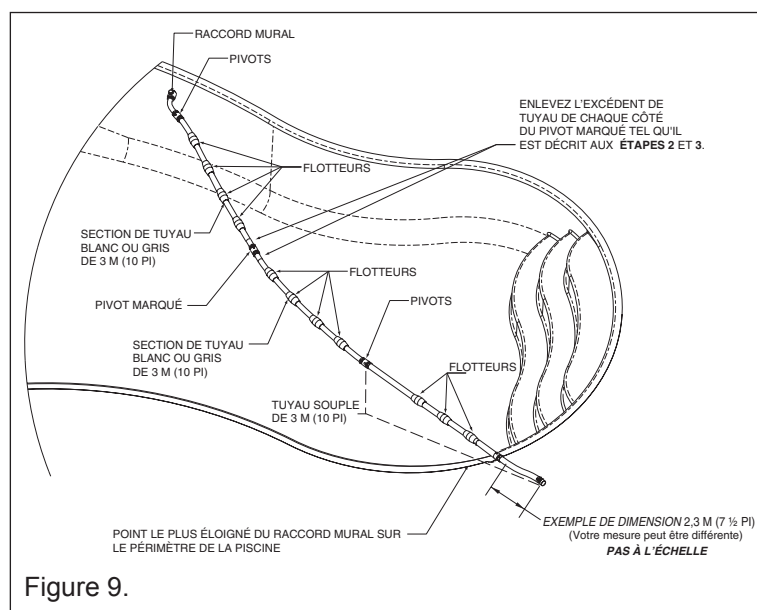


Figure 9.

Étape 3 : Connexion de tous les tuyaux

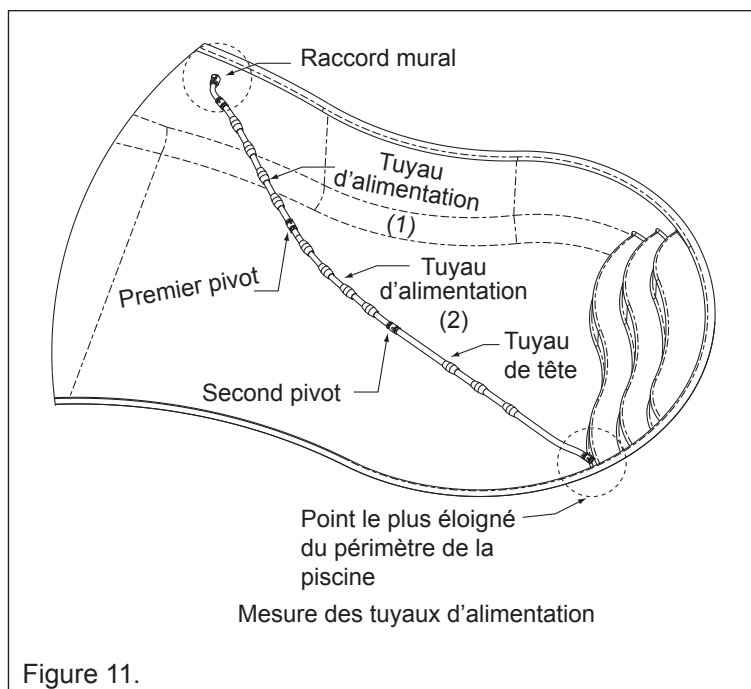
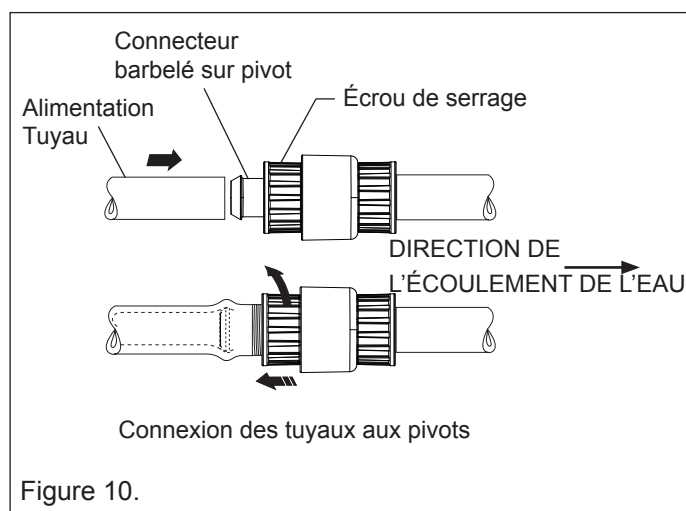
1. Après avoir coupé les sections de tuyaux à la dimension, reconnectez-les en poussant le bout du tuyau sur le raccord barbelé du premier pivot à partir du raccord mural.

Remarque : assurez-vous de pousser le tuyau à fond sur le raccord barbelé.

2. Glissez l'écrou de serrage vers le tuyau en tournant dans le sens horaire jusqu'à ce qu'il soit serré. Utilisez une pince si nécessaire.

Remarque : assurez-vous que le même nombre de flotteurs reste sur chaque section de tuyau semi-rigide selon la description à l'Étape 2, en page 43.

3. Pour vérifier que le tuyau est coupé à la bonne longueur, reconnectez le tuyau et le raccord mural à l'adaptateur mural. Prenez l'autre bout de l'assemblage des tuyaux et allez au point de la piscine le plus éloigné de l'adaptateur mural. Le tuyau doit atteindre le bord de la piscine mais ne doit pas dépasser du bord de plus de 15 cm (6 po).
4. Vous pouvez maintenant rebrancher le nettoyeur au tuyau.

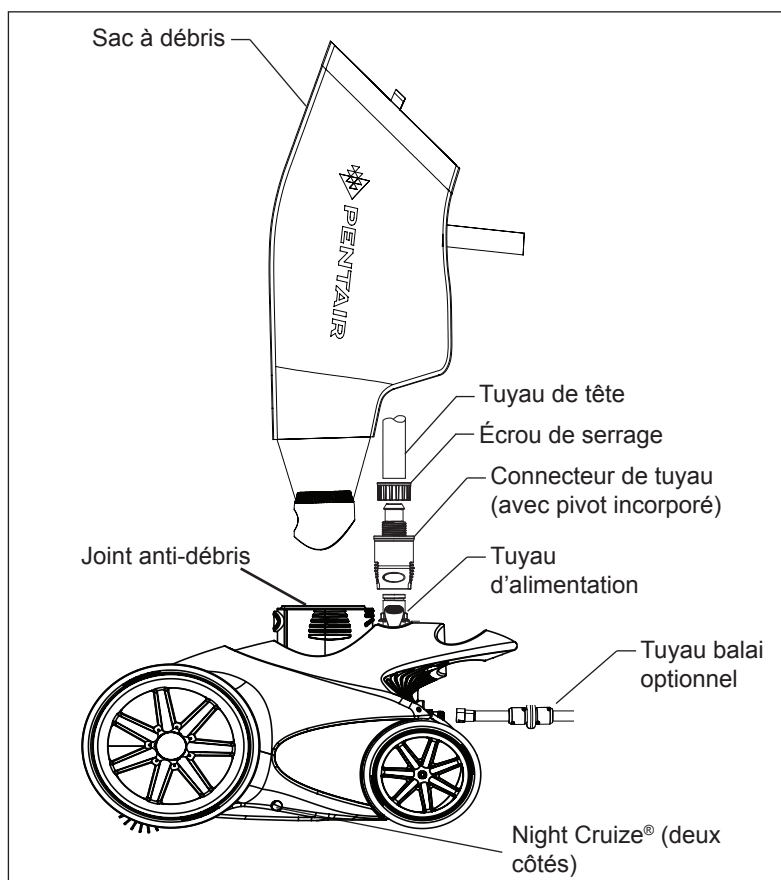


Utilisation du nettoyeur

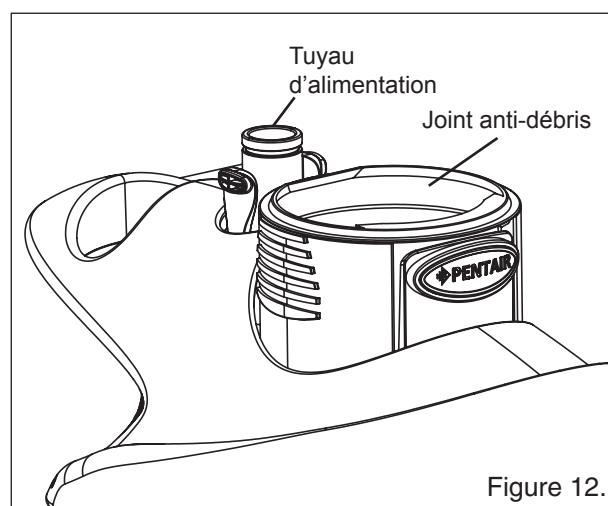
1. Branchez l'assemblage complet du tuyau au tube d'alimentation du nettoyeur. Assurez-vous que les mousquetons sont engagés.
2. Fixez le sac à débris au nettoyeur. Poussez le sac sur le tube d'aspiration pour qu'il s'enclenche correctement.
3. Révisez la liste de vérification avant utilisation :
 - Tuyaux coupés correctement et espacés uniformément.
 - Écrous de serrage du tuyau d'alimentation serrés.
 - Raccord mural en place et serré.
 - Sac de débris et assemblage des tuyaux connectés.
 - Assurez-vous que le joint anti-débris est fixé. **Voir la Fig. 12.**

Utiliser le nettoyant

1. Immergez doucement le nettoyeur dans la piscine.
2. D'abord, mettez en marche la pompe du filtre.
3. Attendez au moins 60 secondes pour évacuer l'air du tuyau.
4. Mettez en marche la pompe d'appoint.



Assemblage du nettoyeur



RÉGLAGES ET FONCTIONNEMENT DU NETTOYEUR

Fonctionnement du nettoyeur

ATTENTION : le nettoyeur peut avoir besoin de quelques petits réglages afin d'assurer son bon fonctionnement pour éviter tout dommage au nettoyeur, au revêtement ou à la membrane de la piscine.

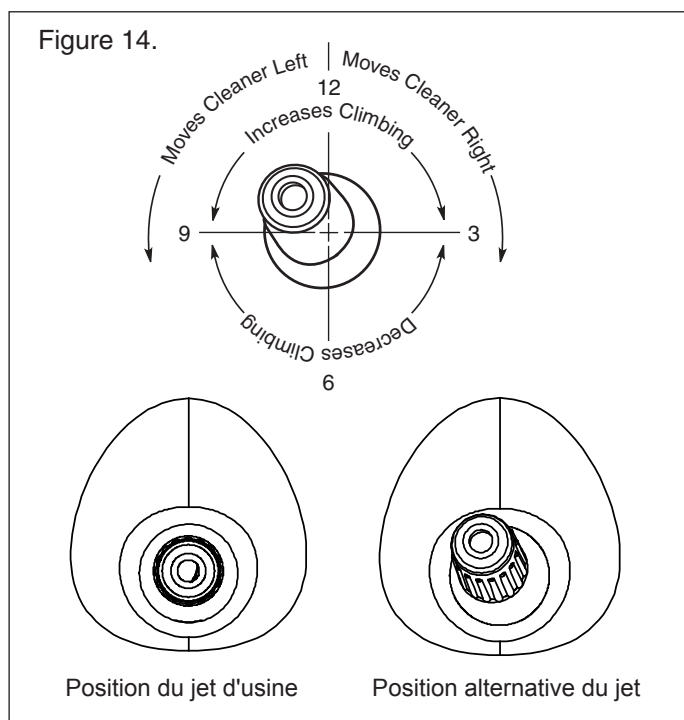
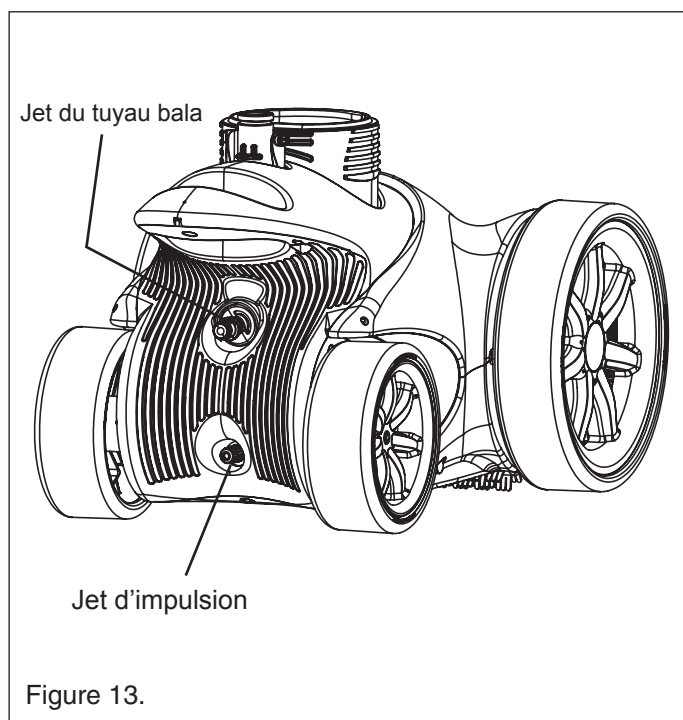
Lorsqu'il fonctionne correctement, le nettoyeur se déplace de manière aléatoire dans toute la piscine, tout en aspirant et en brossant le fond.

- La capacité du nettoyeur à grimper dépend de la structure de la piscine et de l'écoulement de l'eau.
- Un cycle de nettoyage d'une heure est recommandé pour les piscines (15 pi - 30 pi [4.6 m - 9.1 m]) résidentielles de taille moyenne.
- Sa performance sera plus efficace dans les piscines n'ayant pas une transition brutale entre le fond et les parois.
- Le nettoyeur se met en marche arrière pendant 15 secondes toutes les 2,5 minutes environ.
- Si la piscine a un niveau élevé de débris, utilisez le nettoyeur en deux cycles courts. Videz le sac à débris entre les cycles.

Réglage du jet de propulsion

Le jet de propulsion se trouve à l'arrière du nettoyeur, en-dessous du jet du tuyau balai, et il aide à actionner la direction du nettoyeur. **Voir la Fig. 13.**

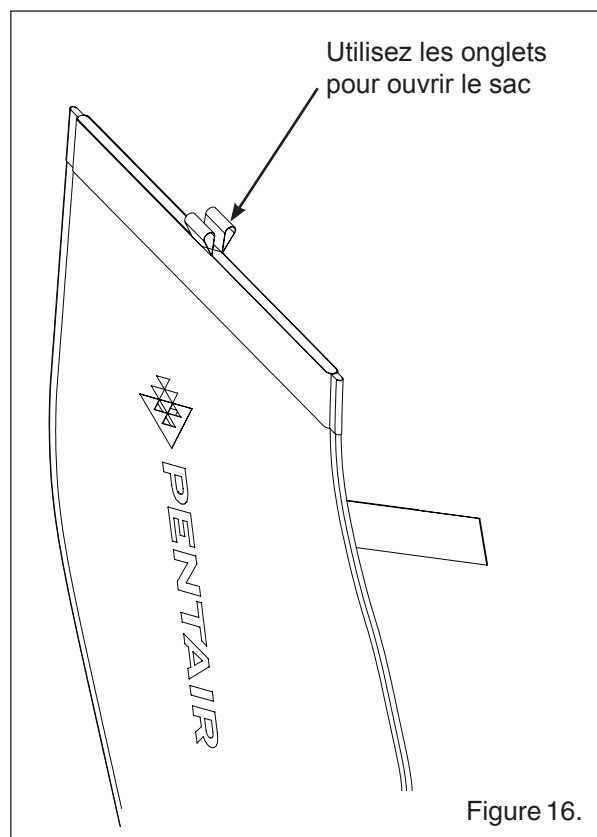
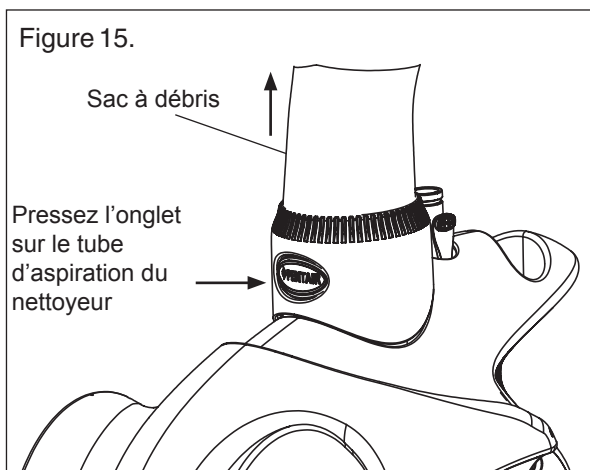
Vous pourriez avoir à régler le jet de propulsion selon la forme de la piscine afin d'obtenir une couverture maximale de nettoyage. La position alternative du jet montrée ci-dessous peut aider la capacité à grimper du nettoyeur. **Voir la Fig. 14.**



Nettoyage du sac à débris

1. Détachez la bretelle du sac du tuyau.
2. Pressez l'onglet sur le tube d'aspiration du nettoyeur et tirez doucement vers le haut pour enlever le sac du nettoyeur. **Voir Fig. 15.**
3. Ouvrez la fermeture du sac en écartant les onglets en tissu au haut du sac (**Voir Fig. 16**). En tenant le fond du sac, retournez-le pour vider les débris par le haut. Si nécessaire, rincez le sac avec un tuyau d'arrosage.
4. Pour fermer, pressez le crochet et formez une boucle de tissu en haut du sac, et glissez un doigt sur toute la longueur du sac de manière à le fermer complètement.
5. Assurez-vous que la valve à débris est sur le tube d'aspiration. **Voir Fig. 12 en page 46.**
6. Glissez le collier du sac à débris sur le tube d'aspiration jusqu'à ce qu'il s'enclenche.
7. Rattachez la bretelle au tuyau d'alimentation.
8. Pour empêcher le sac de se plier pendant le fonctionnement, attachez la bretelle au-dessus du premier flotteur de la ligne. Glissez le flotteur vers le bas si nécessaire.

Remarque : il est plus facile de vider le sac à débris quand il est sec. Un second sac (acheté séparément) peut être utilisé pendant que le sac à débris plein est en cours de séchage.



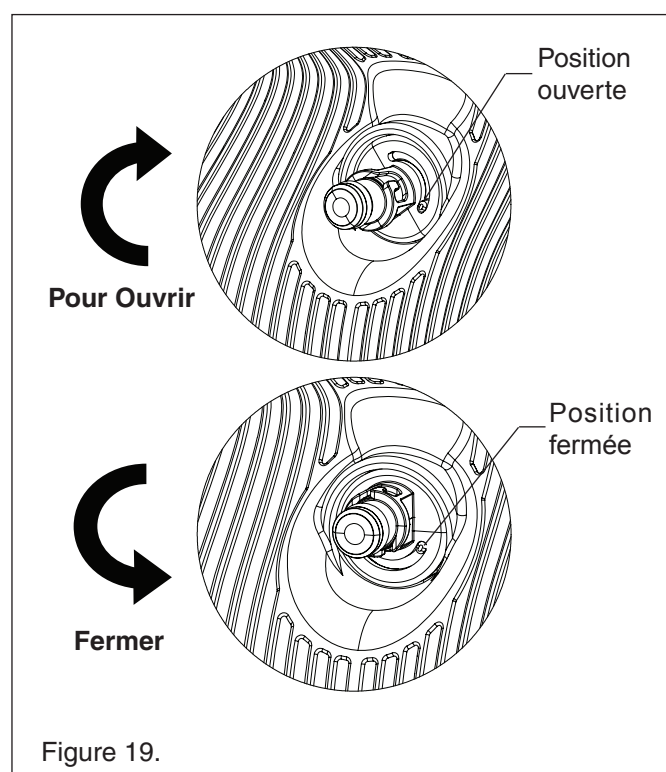
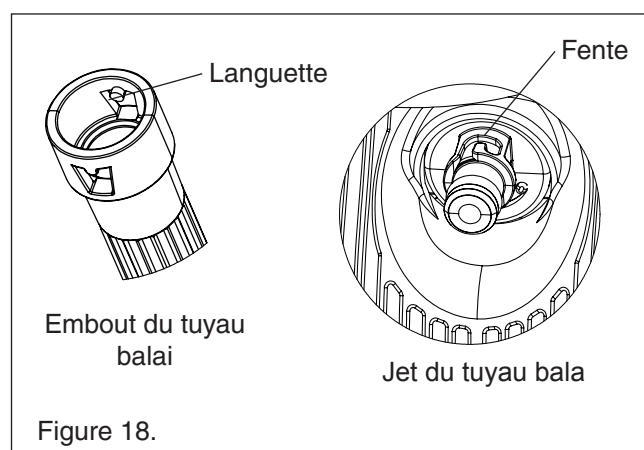
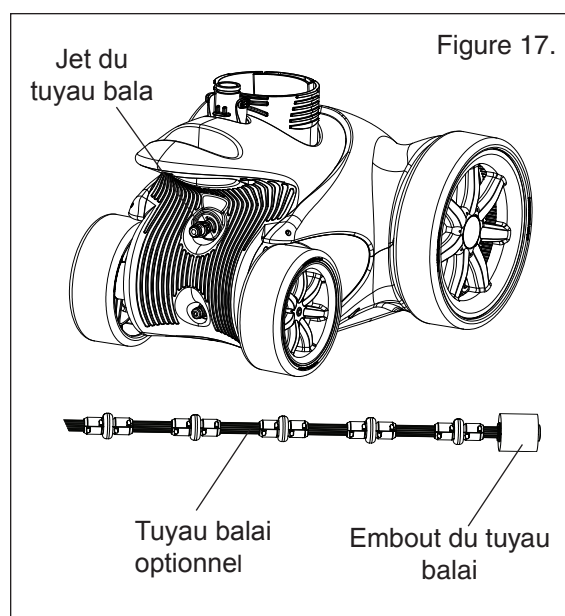
Réglage du régulateur pour tuyau balai avec le tuyau balai optionnel installé

Le tuyau balai fonctionne en effectuant un mouvement de balayage lent pour nettoyer les débris dans les coins difficiles d'accès des piscines. **Voir la Figure 17.**

Remarque : Ne pas régler le régulateur pour tuyau balai pendant que le nettoyeur est en marche; cela peut endommager le nettoyeur.

Remarque : Le tuyau balai doit être utilisé pour ajuster le régulateur pour tuyau balai.

1. Si vous ne voulez pas installer le tuyau balai optionnel, le nettoyeur est prêt à être utilisé. Pour brancher le tuyau balai optionnel au nettoyeur et ouvrir le régulateur pour tuyau balai, passer à l'étape 2.
2. Pour brancher le tuyau balai au nettoyeur, aligner les languettes de fixation à l'intérieur de l'embout du tuyau balai (petit embout rond au bout du tuyau balai) aux fentes de verrouillage sur le régulateur pour tuyau balai du nettoyeur. **Voir la Figure 18.**
3. Le régulateur pour tuyau balai sort de l'usine en position fermée. Pour ouvrir le régulateur pour tuyau balai, pousser l'embout du tuyau balai sur le régulateur pour tuyau balai. Une fois qu'il est inséré jusqu'au bout, tourner l'embout du tuyau balai **dans le sens des aiguilles d'une montre** jusqu'à ce qu'il ne puisse plus tourner (environ 45 degrés). **Voir la Figure 19.** Tirer sur l'embout du tuyau balai et l'embout se verrouillera en place.
4. Pour enlever le tuyau balai et fermer le régulateur pour tuyau balai, prendre l'embout du tuyau balai et le tourner **dans le sens contraire des aiguilles d'une montre** jusqu'à ce qu'il ne puisse plus tourner (environ 45 degrés). **Voir la Figure 19.** Tirer sur l'embout du tuyau balai pour le sortir du régulateur pour tuyau balai et le ranger dans un endroit sécuritaire.



ENTRETIEN

Entretien périodique

Inspectez régulièrement les composants du nettoyeur et la performance du nettoyeur pour vous assurer qu'il fonctionne comme prévu. Remplacez et/ou réparez tout composant usé ou endommagé. Le fait de ne pas suivre les instructions ou d'effectuer une installation incorrecte du nettoyeur peut causer des dommages au nettoyeur, au revêtement ou à la membrane vinyle de la piscine.

Les pièces suivantes sont sujettes à l'usure. Elles doivent être inspectées régulièrement et remplacées le cas échéant.

Grille du raccord mural

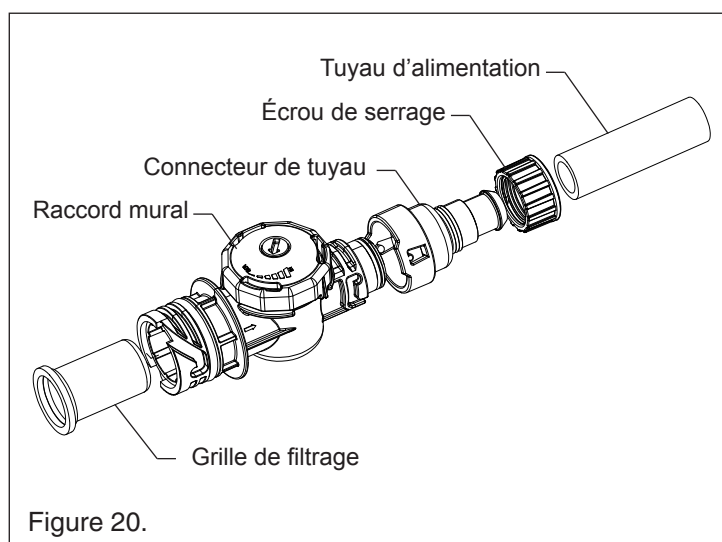
À l'intérieur du raccord mural se trouve une grille filtrante qui sert de filtre secondaire. Cette grille capture les gros débris qui pourraient avoir traversé le filtre de la piscine.

Une grille sale peut être une indication de problèmes potentiels dans le système de filtrage de votre piscine et vous pourriez avoir à contacter votre professionnel de piscines local.

Remarque : faire fonctionner le nettoyeur sans la grille de filtrage peut endommager le nettoyeur et annuler la garantie.

Pour nettoyer la grille de filtrage :

1. Arrêtez la pompe d'appoint, puis la pompe de filtrage.
2. Retirez le raccord mural de l'adaptateur mural.
3. Retirez la grille de l'intérieur de l'adaptateur mural.
4. Rincez la grille soigneusement jusqu'à ce qu'elle soit propre, puis réinsérez-la dans l'adaptateur mural.
5. À chaque nettoyage, lavage à contre-courant ou réparation du filtre de piscine, nettoyez aussi la grille de l'adaptateur mural après le premier cycle de votre nettoyeur.



Nettoyage de la grille de filtrage

Pneus

Les pneus sont conçus pour protéger le fond de votre piscine et pour assurer la traction. Les pneus s'usent et doivent être remplacés à l'occasion. Un bon palier tourne librement.

Sacs à débris

Le nettoyeur est livré avec un sac pour usage général et est utilisé pour toutes sortes de débris. Remplacez le sac quand le tissu est déchiré ou percé.

Remarque : afin de prolonger la durée de vie de votre nettoyeur, retirez-le de la piscine avant d'ajouter des produits chimiques.

Tuyau de balayage

Le tuyau balai est fourni comme accessoire en option pour aider à garder propres les zones difficiles d'accès du fond de votre piscine. Remplacez la brosse du tuyau balai si nécessaire.

Bagues de roulement du tuyau balai

Votre tuyau balai est muni d'une série de bagues de roulement pour le protéger. Remplacez les bagues si nécessaire. Assurez-vous que les bagues tournent librement.

Lavage à contre-courant du filtre de la piscine

Débranchez toujours le nettoyeur du mur de la piscine avant de nettoyer ou de laver à contre-courant le filtre de la piscine. Après le nettoyage ou le lavage à contre-courant, laissez le système de filtration et la pompe d'appoint fonctionner pendant au moins cinq minutes pour rincer les conduites de retour avant de reconnecter le nettoyeur.

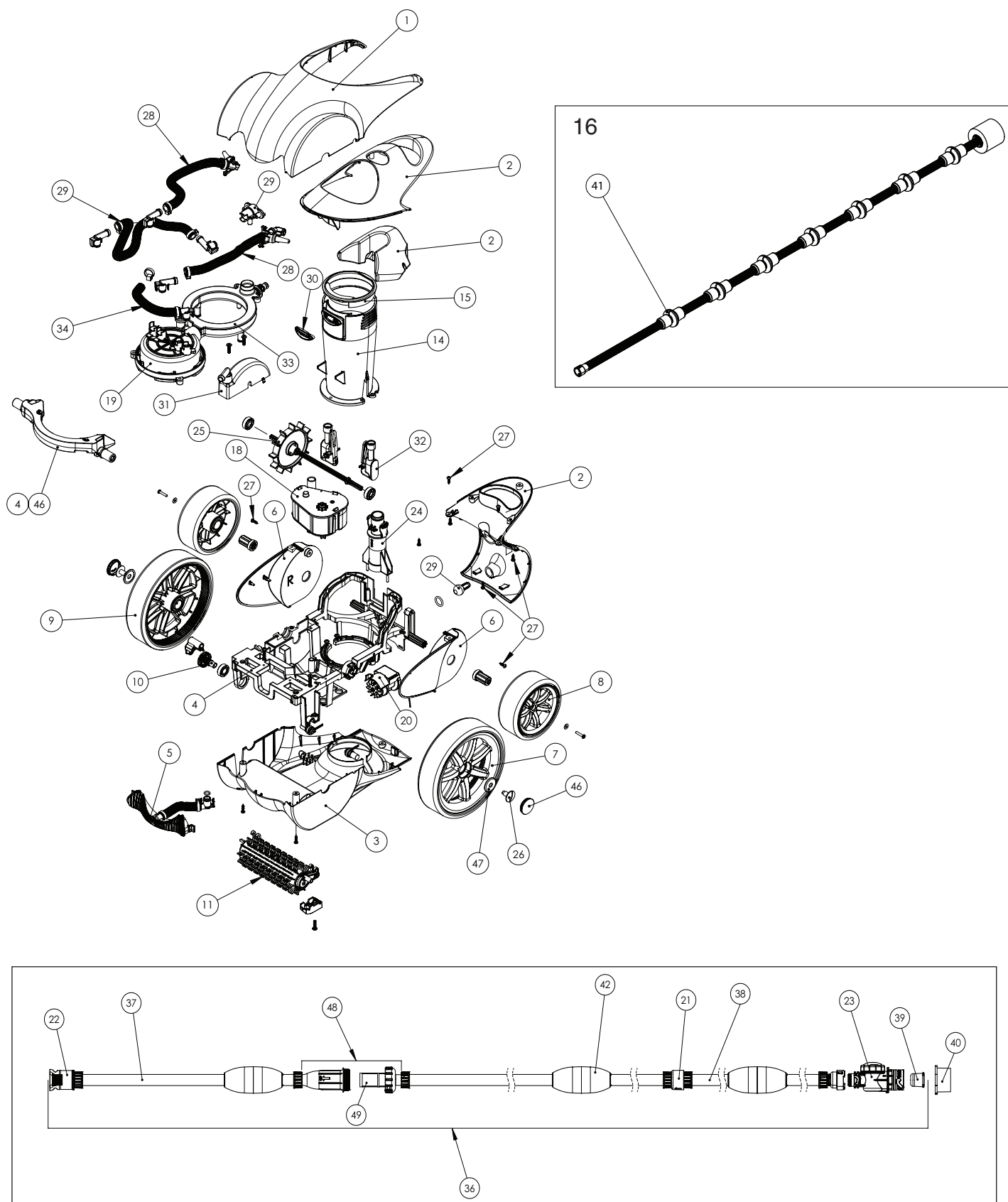
Rangement et hivernage

Vous pouvez laisser l'adaptateur mural sur le mur et ranger les tuyaux enroulés, sans aucun pincement. Assurez-vous de laisser les tuyaux déroulés au soleil pendant 12 à 24 heures avant de les utiliser à nouveau. Utilisez le débitmètre pour vous assurer que le débit est suffisant pour le fonctionnement du nettoyeur.

[Page Vierge]

PIÈCES DE RECHANGE

Liste des pièces illustrée du nettoyeur de parois de piscine Racer®



Liste des pièces du nettoyeur de parois de piscine Racer®

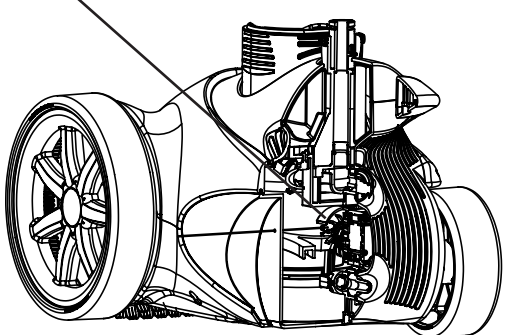
Élément N°	N° de pièce	Description	Élément N°	N° de pièce	Description
1	371677	Kit de couvercle avant supérieur	26	LLC55PMB	Kit de vis de roue
2	360230	Kit de couvercle arrière	27	360255	Ensemble de vis
3	360231	Kit de couvercle inférieur	28	360256	Kit de tuyau de jet directionnel
4	360391	Kit de châssis	29	360257	Kit de tuyau de propulsion arrière
5	360233	Kit de grille avant	30	360258	Kit de bouton en caoutchouc
6	360234	Kit de couvercles latéraux	31	360414	Kit de turbine
7	360235	Kit de grande roue	32	360260	Kit de tubulure Venturi
8	360236	Kit de petite roue	33	360261	Kit de gestion de l'eau
9	360237	Kit de grands pneus	34	360262	Kit du tuyau de turbine
10	360238	Kit de pignon de broissage	35	360263	Kit de mise au point
11	360239	Kit de broissage	36	360264	Kit de tuyau de ligne d'alimentation compléter
12*	360240	Kit de sac à débris (sans collier), Crochet et attache boucle	37	360265	Kit de tuyau souple de ligne d'alimentation 3.5m
13*	360241	Kit de collier de sac à débris	38	360266	Kit de tuyau semi-rigide de ligne d'alimentation 3.5m
14	360242	Kit de tube d'aspiration	39	E24	Écran de débris
15	360243	Kit de valve à débris	40	LL23PM	Adaptateur mural fileté
16	360244	Kit de tuyau balai	41	EB10G	Tuyau de balayage bague d'usure
17	360245	Kit de brosse de tuyau de balai	42	360270	Flotteur de ligne d'alimentation
18	360246	Kit de boîte de vitesse	43*	360268	Kit de joints toriques de ligne d'alimentation
19	360247	Kit de vanne minuterie	44*	360269	Sac à débris avec verrou mécanique
20	360248	Kit de DEL	45*	360274	Kit de calage de la roue
21	360249	Kit de pivot de ligne d'alimentation	46	360434	Trousse pour essieu
22	360250	Kit de connecteur rapide de ligne d'alimentation	47	EC64	Trousse de rondelle pour roue
23	360251	Kit de connecteur mural de ligne d'alimentation	48	360392	Trousse de filtre sur ligne
24	360252	Kit de connecteur de ligne d'alimentation	49	360437	Cartouche de tamis de rechange
25	360253	Kit d'arbre de transmission			

Remarque : (*) non illustré

DÉPANNAGE

Utilisez l'information de dépannage suivante pour résoudre les problèmes potentiels avec le nettoyeur de parois de piscine à pression Racer®

Problème	Mesure corrective
Le nettoyeur ne se déplace pas ou se déplace lentement.	<p>Assurez-vous que la pompe du filtre et la pompe d'appoint sont en marche et qu'ils déplacent de l'eau. (Vous pourriez avoir à nettoyer le système de filtrage de votre piscine).</p> <p>Assurez-vous que le raccord mural est exempt de débris ; vous pourriez avoir à le retirer et le rincer.</p> <p>Vérifiez le débit avec le débitmètre (fourni). Voir page 42. Ajustez le débit au raccord mural si nécessaire. Voir page 42.</p> <p>Vérifiez que les connexions et les pivots de tuyaux d'alimentation ne fuient pas.</p> <p>Vérifiez si des débris sont coincés dans les dents du pignon d'une des roues de traction avant. Tournez doucement les roues avant en arrière pour déloger les débris.</p> <p>Vérifiez pour voir si les roues arrière tournent librement et sont bien en place. Remplacez les roues si nécessaire.</p>
Le nettoyeur se coince dans les marches.	<p>Assurez-vous que les roues avant (grandes) se mettent en marche arrière toutes les 2,5 minutes environ.</p>
Le nettoyeur penche d'un côté.	<p>Indique en général que le sac à débris est plein. Videz le sac à débris (voir page 48).</p> <p>Remarque : le nettoyeur se penche parfois d'un côté (sur deux roues) pendant qu'il tourne. Observez le nettoyeur pendant quelques minutes pour voir s'il se redresse.</p>
Le nettoyeur ne se met pas en marche arrière.	<p>Assurez-vous que les roues avant (grandes) se mettent en marche arrière toutes les 2,5 minutes environ.</p> <p>Vérifiez le débit avec le débitmètre (fourni). Voir page 42. Ajustez le débit au raccord mural si nécessaire. Voir page 42.</p>
Le nettoyeur ne grimpe pas.	<p>Vérifiez le sac à débris. Videz le sac à débris s'il est plein.</p> <p>Vérifiez le débit avec le débitmètre (fourni). Voir page 42. Ajustez le débit au raccord mural si nécessaire. Voir page 42.</p> <p>Réglez la position du jet de propulsion pour augmenter la capacité à grimper (voir page 47).</p> <p>Remarque : la capacité du nettoyeur à grimper dépend de la forme de la piscine et du débit d'eau disponible. Il grimpe mieux dans les piscines sans angles vifs ou dans la transition entre le fond et la paroi de la piscine.</p>
Tuyaux emmêlés ou enroulés.	<p>Vérifiez la longueur du tuyau d'alimentation. S'il est trop long il peut s'emmêler ou s'enrouler. Voir page 44 pour le dimensionnement du tuyau d'alimentation.</p> <p>Assurez-vous que les pivots de tuyaux tournent librement. Remplacez les pivots s'ils sont serrés.</p> <p>Assurez-vous que le tuyau d'alimentation est exempt de pincements ou de plis. Voir page 44 pour les instructions d'installation des tuyaux.</p>
Tuyau balai coincé dans le tube d'aspiration.	<p>Assurez-vous que la vanne régulatrice du tuyau balai est ouverte à fond. Voir page 49.</p>

Problème	Mesure corrective
La pompe d'appoint est très bruyante.	<p>Assurez-vous que la pompe du filtre et la pompe d'appoint sont en marche et qu'ils déplacent de l'eau. (Vous pourriez avoir à nettoyer le système de filtrage de votre piscine).</p> <p>Assurez-vous que le raccord mural est installé correctement. S'il fuit, le joint torique pourrait devoir être remplacé.</p> <p>Contactez votre professionnel de piscines local – problème possible avec la pompe d'appoint.</p>
La brosse à l'avant du nettoyeur ne tourne pas.	<p>Observez les roues avant lors du fonctionnement du nettoyeur dans la piscine. Les roues et la brosse avant doivent tourner simultanément et ne pas patiner. Remplacez les roues et l'arbre de transmission si les roues patinent.</p> <p>Assurez-vous que la brosse est exempte de débris emmêlés.</p>
Les roues arrière traînent ou ne tournent pas.	<p>Assurez-vous que le manchon des roues arrière est exempt de débris emmêlés.</p> <p>Remarque : vous pourriez devoir enlever la roue en la tirant depuis le manchon afin de retirer tous les débris emmêlés.</p>
Les roues arrière tombent.	Remplacez les roues et le manchon de roues.
L'éclairage à DEL Night Cruize ne s'allume pas lors du fonctionnement du nettoyeur. (Remarque : le fonctionnement de l'éclairage à DEL n'affecte pas la performance du nettoyeur).	<p>Des débris peuvent boucher la turbine du générateur. Pour retirer les débris de la turbine du générateur : localisez le trou d'accès sous la roue arrière gauche en enlevant la roue du nettoyeur en la tirant. Utilisez un gros trombone à papiers en l'enfonçant de 5 cm [2 po] dans le trou d'accès, continuez jusqu'à sentir la pale de la turbine, jusqu'à ce que la pale tourne.</p> <p>Insérez un trombone dans le trou d'accès.</p> 

Piscines avec des revêtements en vinyle et des pentes très prononcées

Dans certaines piscines, la pente entre les parties profondes et peu profondes peut être très prononcée et le nettoyeur peut éprouver des difficultés lors de la transition. Le cas échéant, une cale pourrait être nécessaire dans chaque roue pour aider le nettoyeur lors de la transition. Les cales incluses créent une bosse sur la roue et préviennent le blocage du nettoyeur. Elles ne sont pas nécessaires pour toutes les piscines.

Remarque : Installer chaque cale horizontalement, alignée avec les autres. Si les cales ne sont pas alignées les unes avec les autres, elles pourraient créer des difficultés pour le nettoyeur au niveau de la pente. Ceci est important pour le bon fonctionnement du nettoyeur. **Voir la figure 21.**

1. Installer une cale dans chaque roue : Pour installer la cale, tirer le pneu en caoutchouc de la roue en plastique et insérer fermement la cale entre la roue et le pneu. La face lisse de la partie inférieure de la cale devrait être insérée en premier, de l'extérieur vers l'intérieur des roues du nettoyeur. **Voir la figure 22.** Vérifier que les rainures des roues en plastique et celles du dessous de la cale se glissent les unes dans les autres.
2. Pousser la cale vers le devant du nettoyeur jusqu'à ce que la cale soit bien installée derrière le rebord du pneu en caoutchouc. **Voir la figure 21.**

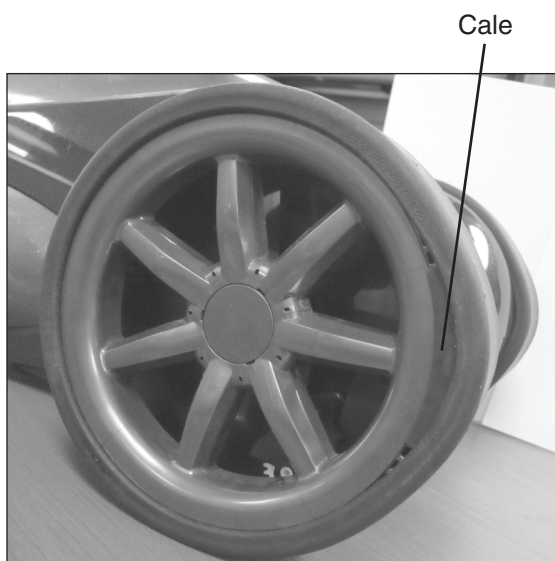


Figure 21.



Figure 22.

NOTES/NOTAS/REMARQUES

NOTES/NOTAS/REMARQUES

NOTES/NOTAS/REMARQUES



1620 HAWKINS AVE., SANFORD, NC 27330 • (919) 566-8000
10951 WEST LOS ANGELES AVE., MOORPARK, CA 93021 • (805) 553-5000
WWW.PENTAIRPOOL.COM

© 2017 Pentair Water Pool and Spa, Inc. All rights reserved. Tous droits réservés. Todos los derechos reservados.

This document is subject to change without notice. Ce document pourra être modifié sans préavis. Este documento está sujeto a cambios sin previo aviso.



P/N 371004 REV. D 3/30/17