



## 64Mbit Quad-SPI Pseudo-SRAM Data Sheet

# CSS6404L

Version: 1

## Table of Contents

Table of contents.....	2
1. Feature and Specification.....	4
2. Description.....	5
3. Package Information.....	5
3.1 Package Outline Drawing.....	6
4. Ordering Information.....	8
4.1 Part Number.....	8
5. Package Ball Signal Table.....	8
6. Function Diagram.....	9
7. Powerup Initialization.....	9
8. Interface Description.....	10
8.1 Address Space.....	10
8.2 Page Size.....	10
8.3 Drive Strength.....	10
8.4 Power-On Status.....	10
8.5 Command/Address Latching Truth Table.....	10
8.6 Command Termination.....	11
9. Wrap Boundary Taggle Operation.....	12
10. SPI Mode Operations.....	12
10.1 Access Using CRE.....	13
10.2 SPI Write Operations.....	14
10.3 SPI Quad Mode Enable Operation.....	15
11. Read ID.....	15
11.1 SPI Read ID Operation.....	16
12. QPI Mode Operations.....	16
12.1 QPI Mode Operations.....	16
12.2 QPI Write Operations.....	17
12.3 QPI Mode Exit Operation.....	17
13. Reset Operation.....	18
14. Input/Output Timing.....	19
15. Electrical Specifications.....	19
15.1 Absolute Maximum Ratings.....	19
15.2 Pin Capacitance.....	20
15.3 Decoupling Capacitor Requirement.....	20
15.4 Operation Conditions.....	20
15.5 DC Characteristics.....	21



---

15.6 AC Characteristics.....	22
16. Revision History.....	22

The CSS6404L is general part number of 64Mb 3.3V Quad-SPI Pseudo-SRAM product family. The package type and detailed part number refers to 3. Package Information, 4 Ordering Information and 4.1 Part Number.

## 1. Feature and Specification

### Interface:

SPI/QPI with SDR mode

### Single Supply Voltage:

VDD=2.7 to 3.6V

### Performance: Clock rate up to

133MHz for 32 Bytes Wrapped Burst operation at VDD=3.0V+/-10%

109MHz for 32 Bytes Wrapped Burst operation at VDD=3.3V+/-10%

84MHz for Linear Burst operation

### Organization:

64Mb, 8M x 8bits

### Addressable Bit Range:

A[22:0]

### Page Size:

1024 bytes

### Refresh:

Self-managed

### Operating Temperature Range (refer to 4.1 Part Number)

T<sub>OPER</sub> = -40°C to +85°C (standard range)

T<sub>OPER</sub> = -40°C to +105°C (extended range)

### Maximum Standby Current

350µA @ 105°C

250µA @ 85°C

### Typical Halfsleep™ Mode with data retained

100µA @ 25°C

### 50Ω Output Drive Strength LVCMOS.

Linear Burst (continuous) or 32 Bytes Wrapped Burst via Wrap Boundary Toggle command

### Linear Burst:

Supported up to 84MHz and can cross page boundary as long as tCEM is met.

### Software Reset

## 2. Description

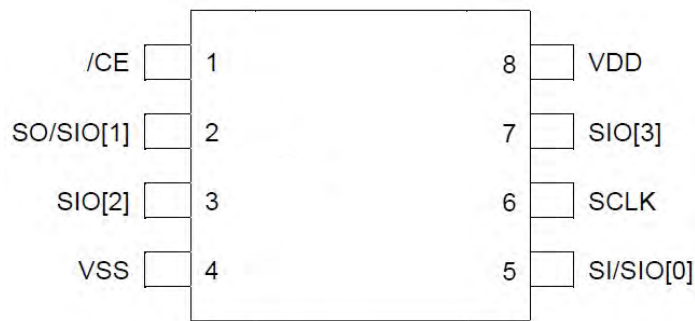
The feature of the CSS6404SL is a high speed, low pin count interface. It has 4 SDR I/O pins and operates in SPI(serial peripheral interface) or QPI (quad peripheral interface) mode with frequencies up to 133MHz. The data input (A/DQ) to the memory relies on clock (CLK) to latch all instructions, addresses and data. It is most suitable for low-power and low cost applications like portable, wearable or IoT devices. It incorporates a seamless self-managed refresh mechanism. Hence it does not require the support of DRAM refresh from system host. The self-refresh feature is a special design to maximize performance of memory read operation.

## 3. Package Information

The CSS6404LS is available in standard package including 8-lead SOP-8L(150)

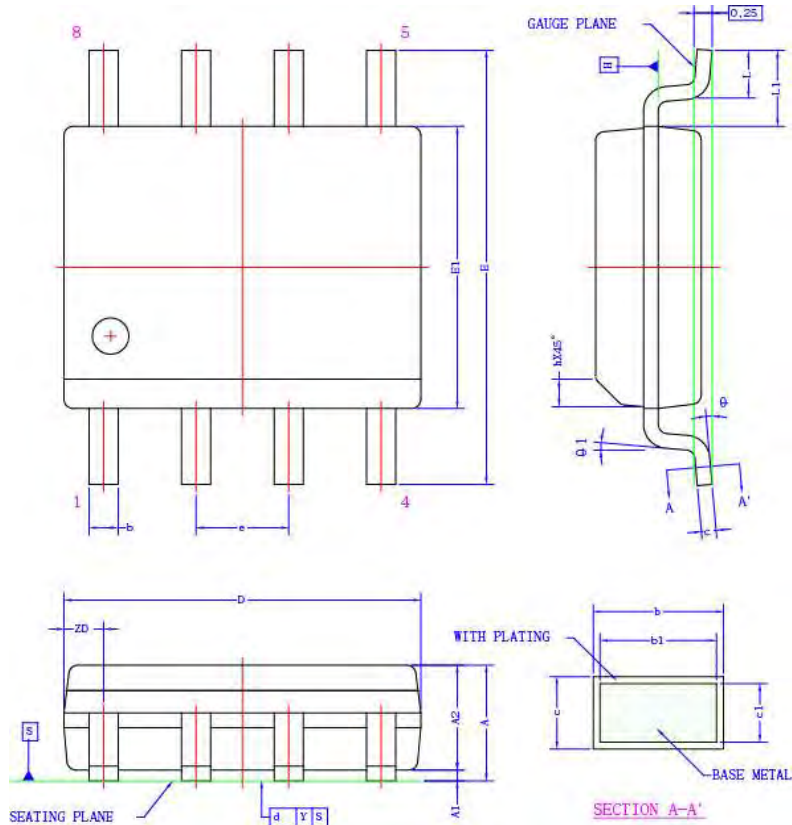
The CSS6404LU is available in advanced package including 8-lead USON-8L(3x2mm)

### Package Type: SOP/USON (Not to scale)



Top View

## 3.1 Package Outline Drawing 3.1.1 SOP-8L (150) Drawing

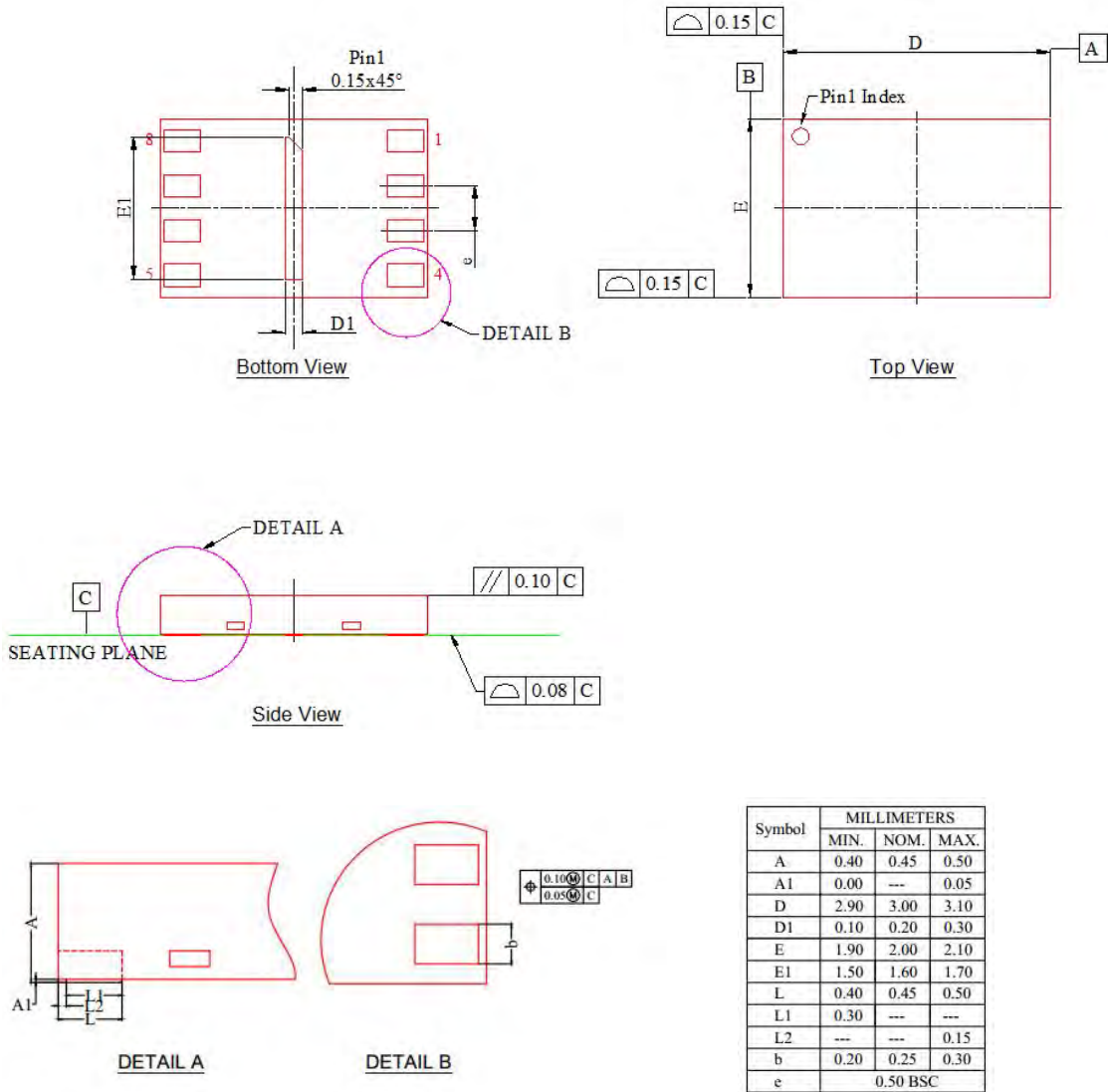


SYMBOL	DIMENSION (MM)			DIMENSION (MIL)		
	MIN.	NOM.	MAX.	MIN.	NOM.	MAX.
A	1.35	1.60	1.75	53	63	69
A1	0.10	0.15	0.25	4	6	10
A2	1.35	1.45	1.55	53	57	61
b	0.31	-	0.51	12	-	20
b1	0.28	0.40	0.48	11	16	19
c	0.17	-	0.25	7	-	10
c1	0.17	0.20	0.23	7	8	9
D	4.80	4.90	5.00	189	193	197
E	6.00 BSC			236 BSC		
E1	3.80	3.90	4.00	150	154	157
e	1.27 BSC			50 BSC		
L	0.40	0.66	1.27	16	26	50
L1	1.05 REF			41 REF		
ZD	0.55 REF			22 REF		
h	0.25	0.38	0.50	10	15	20
Y	-	-	0.10	-	-	4
θ	0°	-	8°	0°	-	8°
Ø1	0°	-	-	0°	-	-

**NOTE :**

- REFER TO JEDEC STD: MS-012 AA.
- DIMENSION 'D' DOES NOT INCLUDE MOLD FLASH, PROTRUSION OR GATE BURRS. MOLD FLASH, PROTRUSION AND GATE BURRS SHALL NOT EXCEED 0.15mm PER SIDE. DIMENSION 'E1' DOES NOT INCLUDE INTERLEAD MOLD FLASH OR PROTRUSION. INTERLEAD MOLD FLASH OR PROTRUSION SHALL NOT EXCEED 0.25mm PER SIDE. 'D' AND 'E1' DIMENSIONS ARE DETERMINED AT DATUM H. H
- DIMENSION 'b' DOES NOT INCLUDE DAMBAR PROTRUSION. ALLOWABLE DAMBAR PROTRUSION SHALL BE 0.10mm TOTAL IN EXCESS OF THE 'b' DIMENSION AT MAXIMUM MATERIAL CONDITION. THE DAMBAR CANNOT BE LOCATED ON THE LOWER RADIUS OF THE FOOT.

### 3.1.2 USON-8L (3x2mm) Drawing

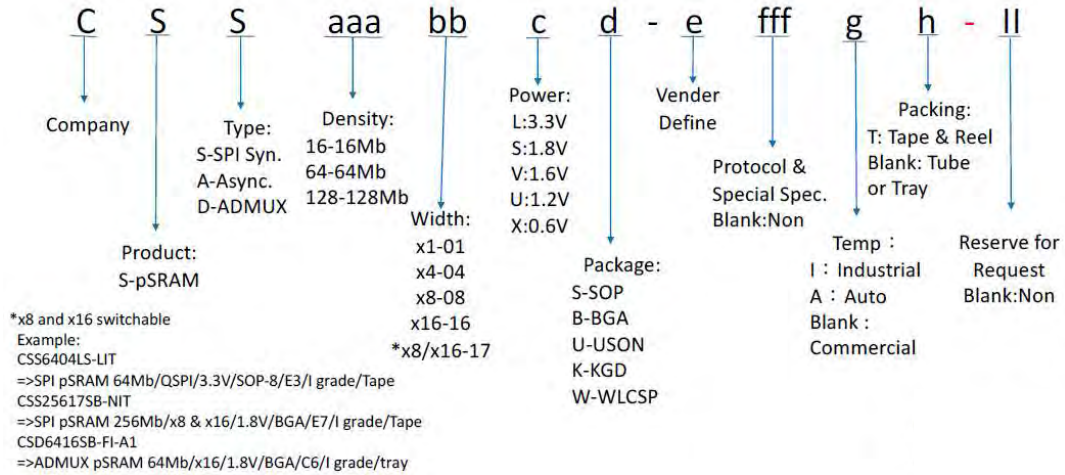


**NOTE:**

1. Scale 1:4
2. ALL DIMENSIONS AND TOLERANCES TAKE REFERENCE TO JEDEC MO-229
3. DIMENSION "b" APPLIES TO METALLIZED TERMINAL AND IS MEASURED BETWEEN 0.15MM AND 0.30MM FROM THE TERMINAL TIP. IF THE TERMINAL HAS OPTIONAL RADIUS ON THE OTHER END OF THE TERMINAL, THE DIMENSION B SHOULD NOT BE MEASURED IN THAT RADIUS AREA.

## 4. Ordering Information

### Product Naming Rule:



### 4.1 Part Number: Table 1 Part Number

Part Number	Density	Temperature Range	Frequency	Note
CSS6404LU-L	64Mb	0-70C	84Mhz*	USON
CSS6404LU-LI	64Mb	-40~85C	84Mhz*	USON
CSS6404LS-L	64Mb	0-70C	84Mhz*	SOP8
CSS6404LS-LI	64Mb	-40~85C	84Mhz*	SOP8
CSS6404LS-LJ	64Mb	-40~105C	84Mhz*	SOP8

\*Note: 133MHz for 32 Bytes Wrapped Burst operation at VDD=3.0V+/-10%  
109MHz for 32 Bytes Wrapped Burst operation at VDD=3.3V+/-10%  
84MHz for Linear Burst operation with RBX(row boundary crossing)

## 5. Package Ball Signal Table

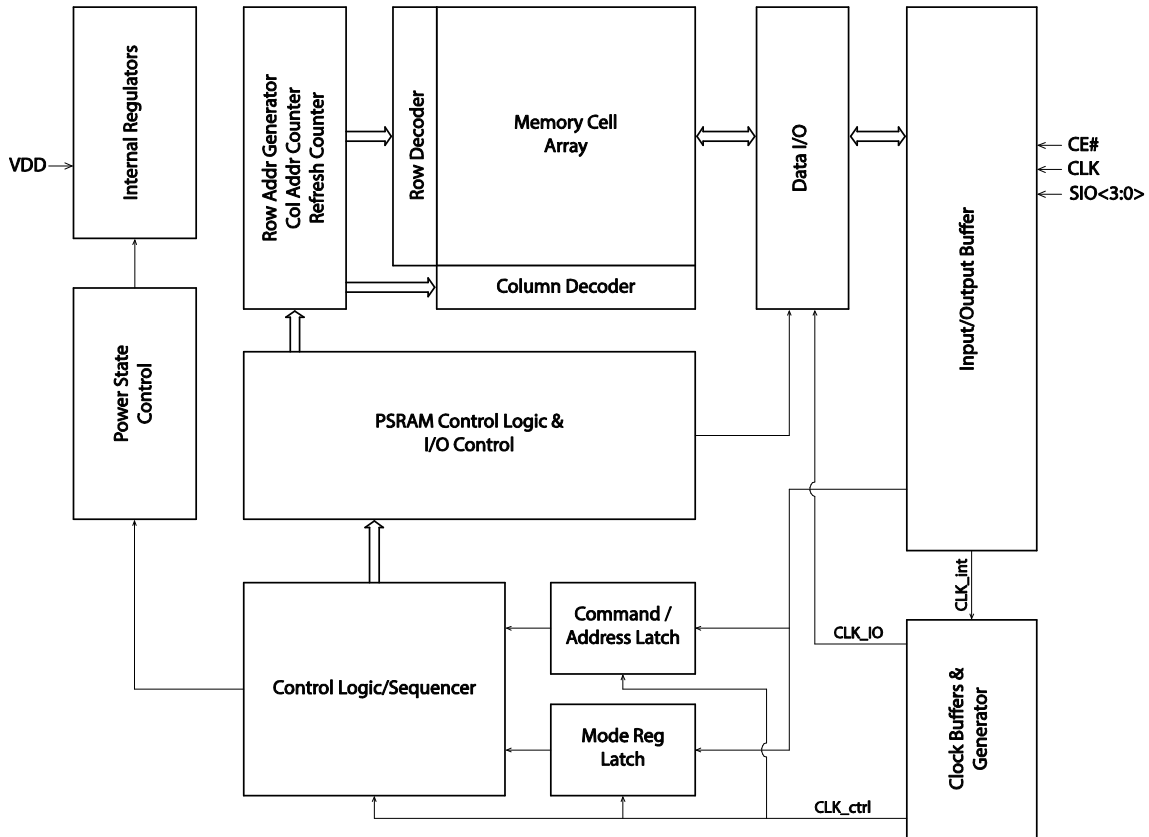
Table 2 Signals Table

Symbol	Type	SPI Mode Function		QPI Mode Function	Comments
VDD	Power	Core supply			
VSS	Ground	Core supply ground			
CE#	Input	Chip select, active low. When CE#=1, chip is in standby state			
CLK	Input	Clock Signal			
SI/SIO[0]	IO	Serial Input	IO[0]*	IO[0]	
SO/SIO[1]	IO	Serial Output	IO[1]*	IO[1]	
SIO[2]	IO	--	IO[2]*	IO[2]	
SIO[3]	IO	--	IO[3]*	IO[3]	

Note: \* Quad SPI mode



## 6. Function Diagram

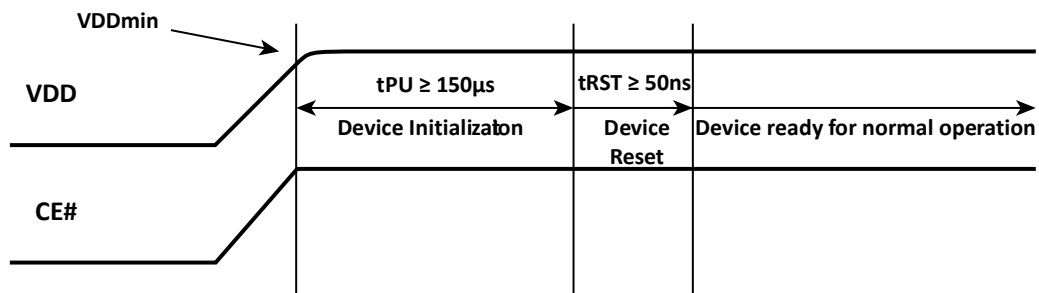


## 7. Powerup Initialization

SPI/QPI products include an on-chip voltage sensor used to start the self-initialization process. When VDD reaches a stable level at or above minimum VDD, the device will require 150µs and user-issued RESET Operation (see section 13) to complete its self-initialization process. From the beginning of power ramp to the end of the 150µs period, CLK should remain LOW, CE# should remain HIGH (track VDD within 200mV) and SI/SO/SIO[3:0] should remain LOW.

After the Device Reset  $t_{RST} \geq 50ns$  period the device is ready for normal operation.

**Figure 1 Power-Up Initialization Timing**



## 8. Interface Description

### 8.1 Address Space

SPI/QPI PSRAM device is byte-addressable. 64M device is addressed with A[22:0].

### 8.2 Page Size

Page size is 1K (CA[9:0]). Default burst setting is Linear Bursting that crosses page boundary in a continuous manner. Note however that burst operations which cross page boundary have a lower max input clock frequency of 84MHz, and it can cross page boundary one time only in a burst. Optionally the device can also be set to wrap 32 (CA[4:0]) via the Wrap Boundary Toggle command and is not allowed to cross page boundary in this configuration.

### 8.3 Drive Strength

The device powers up in 50Ω.

### 8.4 Power-On Status

The device powers up in SPI Mode. It is required to have CE# high before beginning any operations.

### 8.5 Command/Address Latching Truth Table

The device recognizes the following commands specified by the various input methods

Table 3 True Table

Command	Code	SPI Mode (QE=0)					QPI Mode (QE=1)				
		Cmd	Addr	Wait Cycle	DIO	Max Freq.	Cmd	Addr	Wait Cycle	DIO	Max Freq.
Read	'h03	S	S	0	S	33	N/A				
Fast Read	'h0B	S	S	8	S	133/84*	Q	Q	4	Q	66
Fast Read Quad	'hEB	S	Q	6	Q	133/84*	Q	Q	6	Q	133/84*
Write	'h02	S	S	0	S	133/84*	Q	Q	0	Q	133/84*
Quad Write	'h38	S	Q	0	Q	133/84*	same as 'h02				
Enter Quad Mode	'h35	S	-	-	-	133	N/A				
Exit Quad Mode	'hF5	N/A					Q	-	-	-	133
Reset Enable	'h66	S	-	-	-	133	Q	-	-	-	133
Reset	'h99	S	-	-	-	133	Q	-	-	-	133
Wrap Boundary Toggle	'hC0	S	-	-	-	133	Q	-	-	-	133
Read ID	'h9F	S	S	0	S	33	N/A				

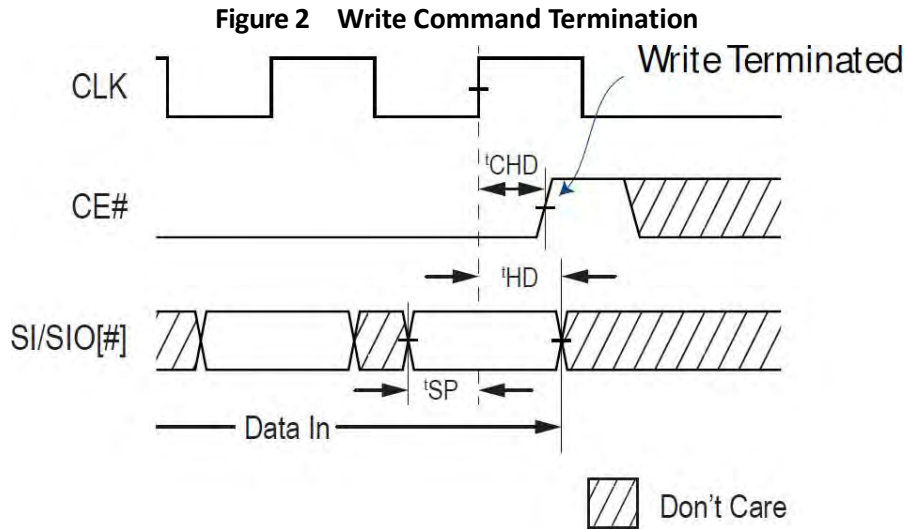
Remark: S = Serial IO, Q = Quad IO

\*Note:

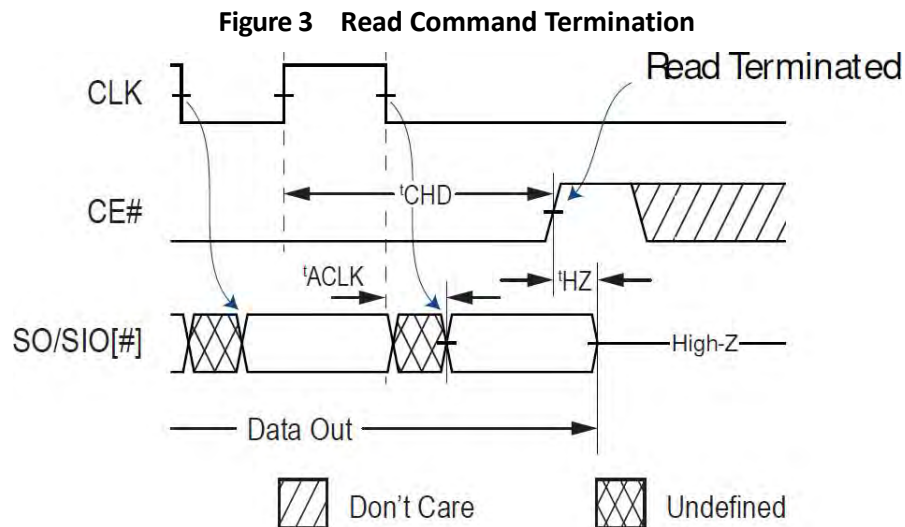
**Max Freq.** would be 133MHz at VDD=3.0V+/-10% and 109MHz at VDD= 3.3V+/-10%) under Wrap32 operation; **Max Freq.** would be 84MHz under Linear Burst operation.  
Please refer Section 9 for Wrap32 and Linear Burst operation

### 8.6 Command Termination

All Reads & Writes must be completed by raising CE# high immediately afterwards in order to terminate the active command and set the device into standby. Not doing so will block internal refresh operations and cause memory failure.



For a memory controller to correctly latch the last piece of data prior to read termination, it is recommended to provide a longer CE# hold time ( $t_{CHD} > t_{ACLK} + t_{CLK}$ ) for a sufficient data window.

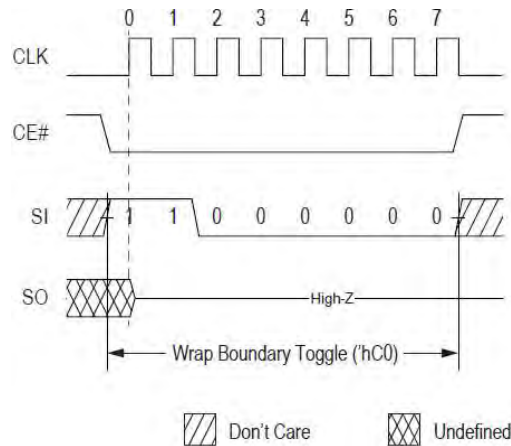


### 9. Wrap Boundary Toggle Operation

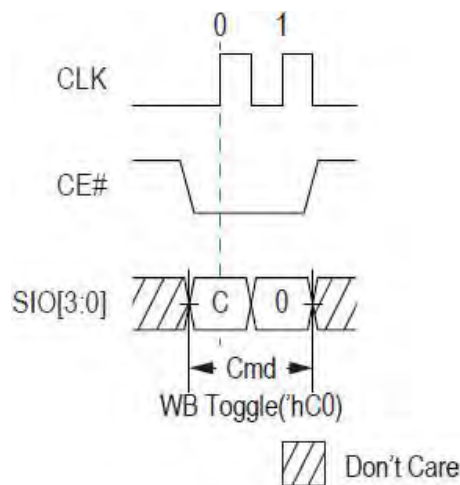
The Wrap Boundary Toggle Operation switches the device’s wrapped boundary between Linear Burst which crosses the 1K page boundary (CA[9:0]) and Wrap 32 (CA[4:0]) bytes. Default setting is Linear Burst.

Linear Burst allows the device to burst through page boundary. Page boundary crossing is invisible to the memory controller and limited to a lower max CLK frequency of 84MHz.

**Figure 4 SPI Wrap Boundary Toggle 'hC0**



**Figure 5 QPI Wrap Boundary Toggle 'hC0**



### 10. SPI Mode Operations

The device powers up into SPI mode by default but can also be switched into QPI mode.

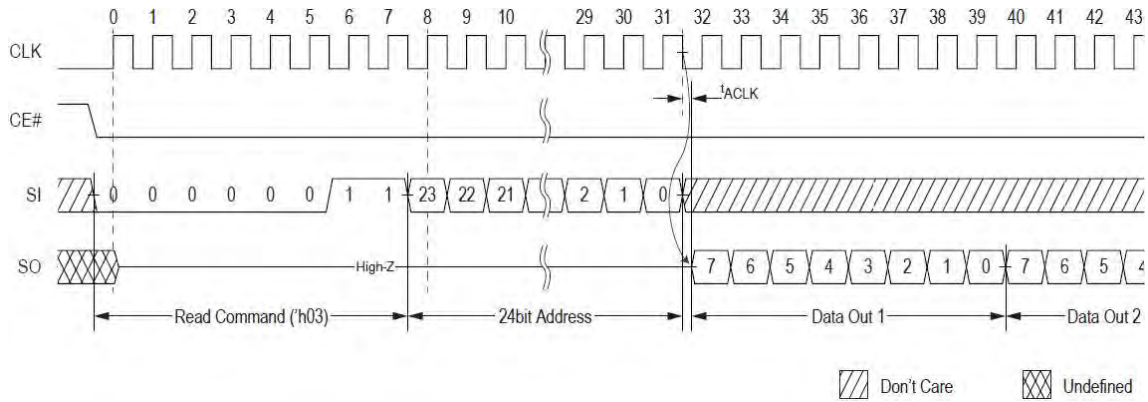
### 10.1 SPI Read Operation

For all reads, data will be available  $t_{\text{ACLK}}$  after the falling edge of CLK.

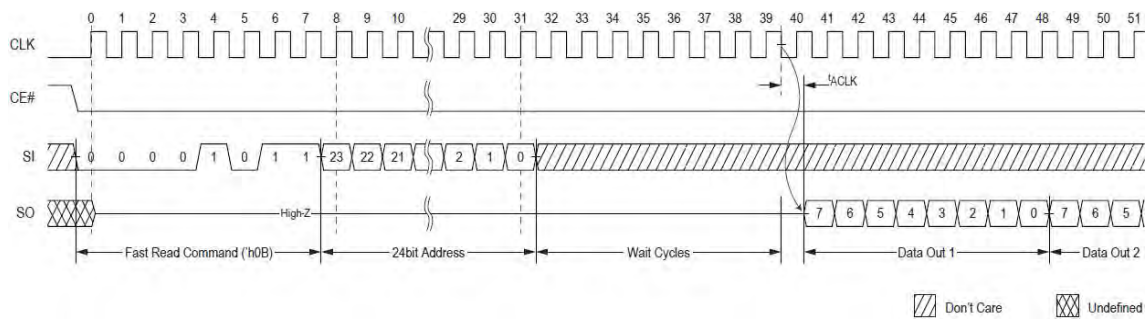
SPI Reads can be done in three ways with Linear Burst or 32 Bytes Wrapped Burst:

1. 'h03: Serial CMD, Serial Addr/IO, slow frequency.
2. 'h0B: Serial CMD, Serial Addr/IO, fast frequency.
3. 'hEB: Serial CMD, Quad Addr/IO, fast frequency.

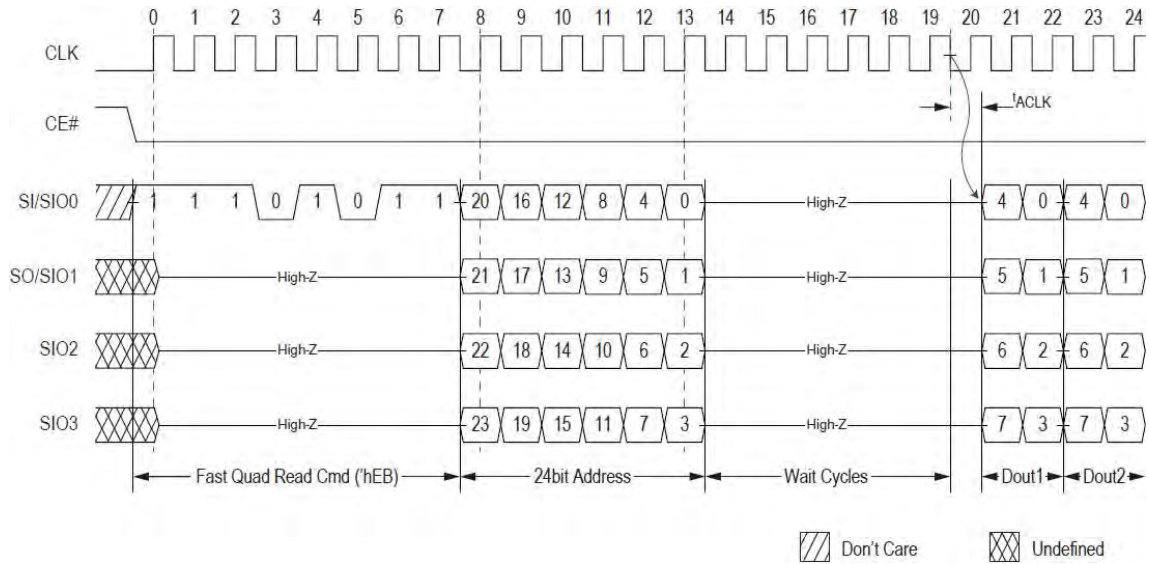
**Figure 6 SPI Read 'h03 (max freq 33MHz)**



**Figure 7 SPI Fast Read 'h0B (max freq 133 MHz)**



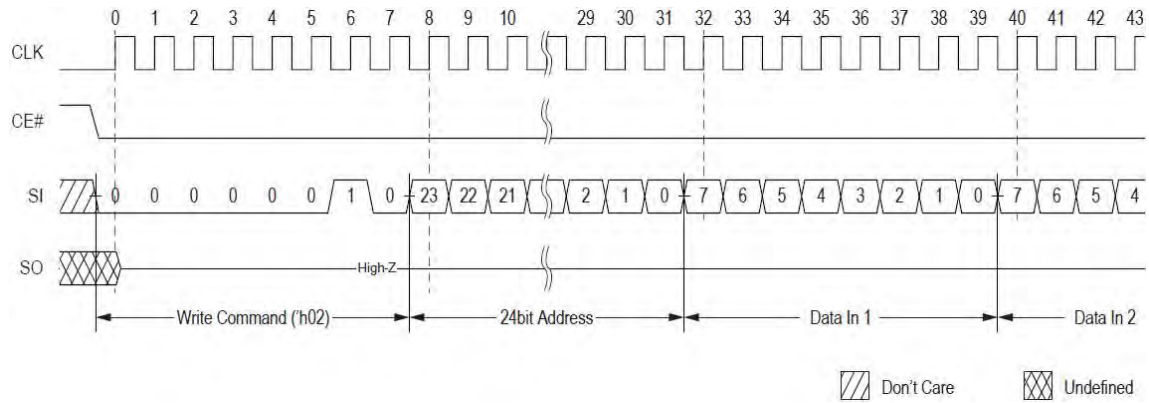
**Figure 8 SPI Fast Quad Read 'hEB (max freq 133 MHz)**



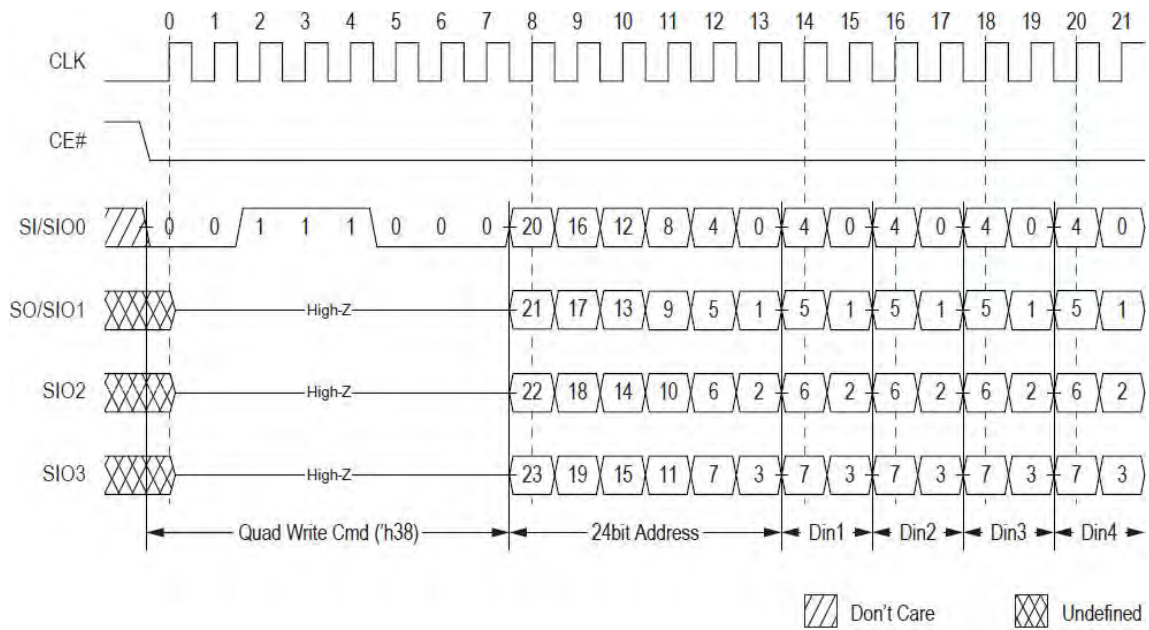
## 10.2 SPI Write Operations

SPI write command can be input as 'h02 or 'h38

**Figure 9 SPI Write 'h02**



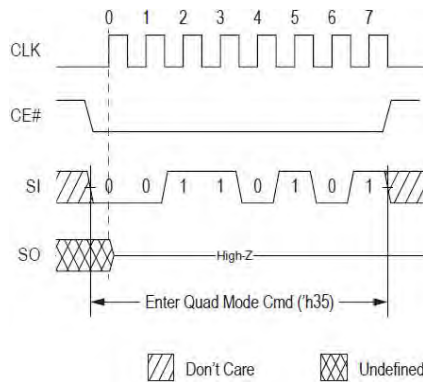
**Figure 10 SPI Quad Write 'h38**



### 10.3 SPI Quad Mode Enable Operation

This command switches the device into quad IO mode.

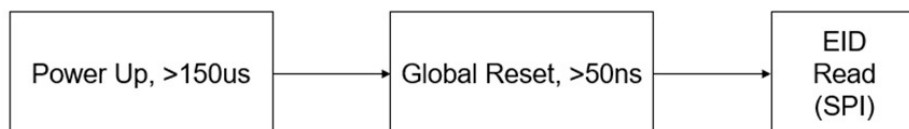
**Figure 11 Quad Mode Enable 'h35 (available only in SPI mode)**



### 11. Read ID

Read ID command provides information of vendor ID, device density, and manufacturing ID. Note that Read ID command can be used ONLY as Power up initialization after the device Reset  $t_{RST} \geq 50ns$  right after Global Reset command.

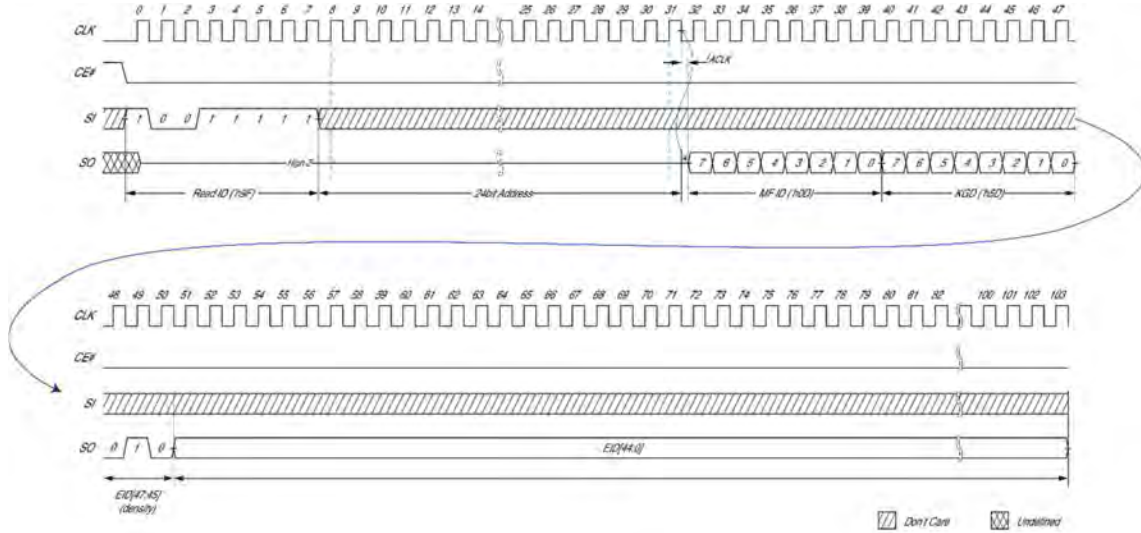
**Figure 12 Pre-condition of EID Read**



### 11.1 SPI Read ID Operations

This command is similar to Fast Read, but without the wait cycles and the device outputs EID value instead of data.

**Figure 13 SPI Read ID 'h9F (available only in SPI mode)**



## 12. QPI Mode Operations

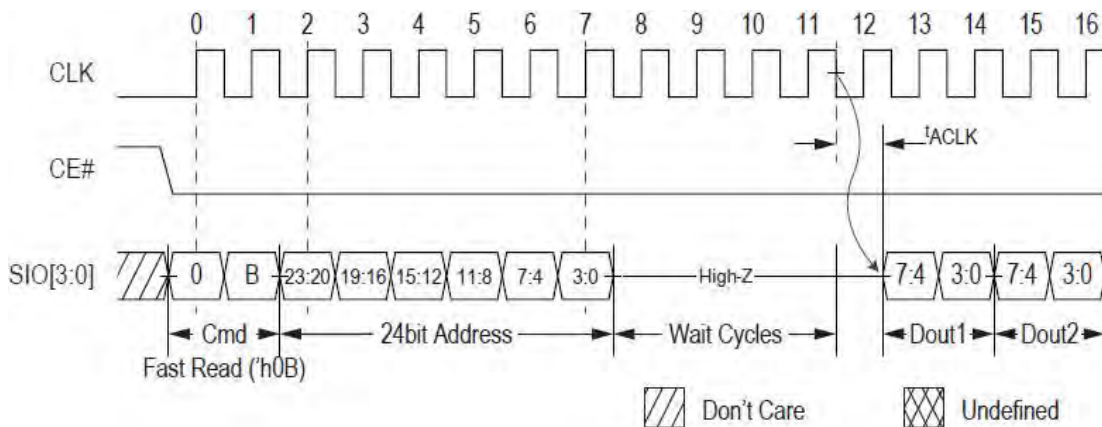
### 12.1 QPI Read Operations

For all reads, data will be available  $t_{\text{ACLK}}$  after the falling edge of CLK.

QPI Reads can be done in one of two ways with Linear Burst or 32 Bytes Wrapped Burst:

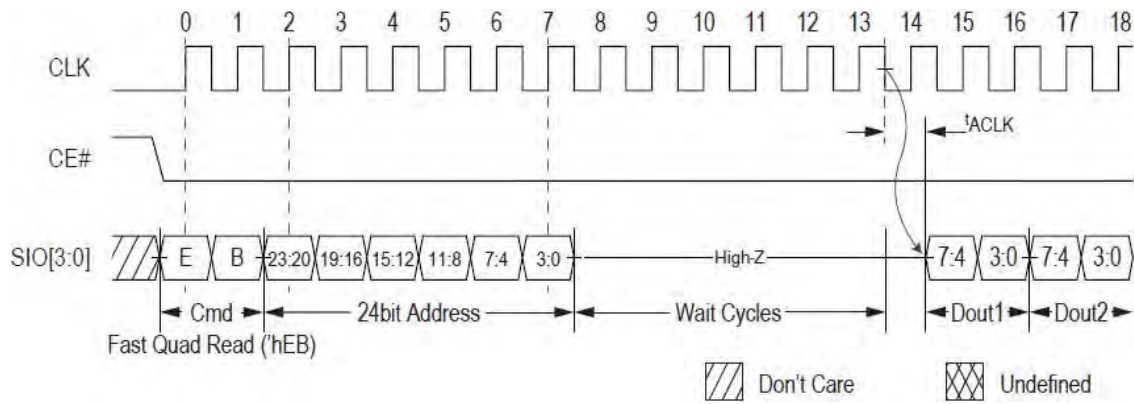
1. 'h0B: Quad CMD, Quad Addr/IO, slow frequency
2. 'hEB: Quad CMD, Quad Addr/IO, fast frequency

**Figure 14 QPI Fast Read 'h0B (max freq 66 MHz)**





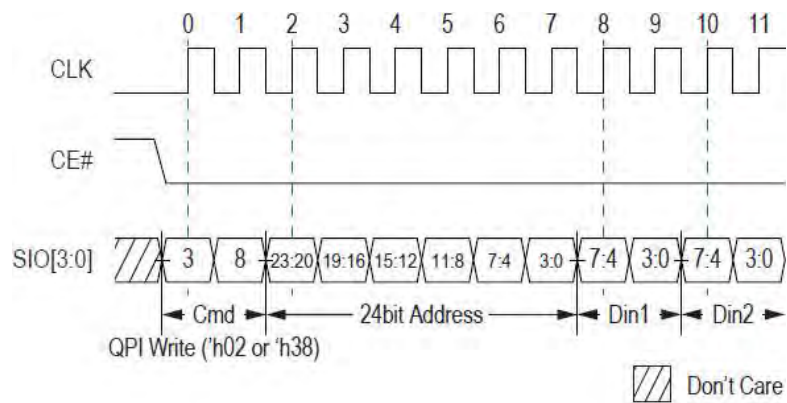
**Figure 15 QPI Fast Quad Read 'hEB (max freq 133 MHz)**



### 12.2 QPI Write Operations

QPI write command can be input as 'h02 or 'h38.

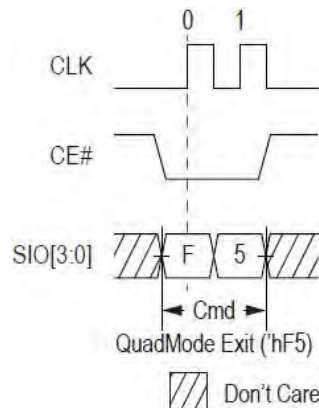
**Figure 16 QPI Write 'h02 or 'h38**



### 12.3 QPI Quad Mode Exit Operation

This command will switch the device back into serial IO mode.

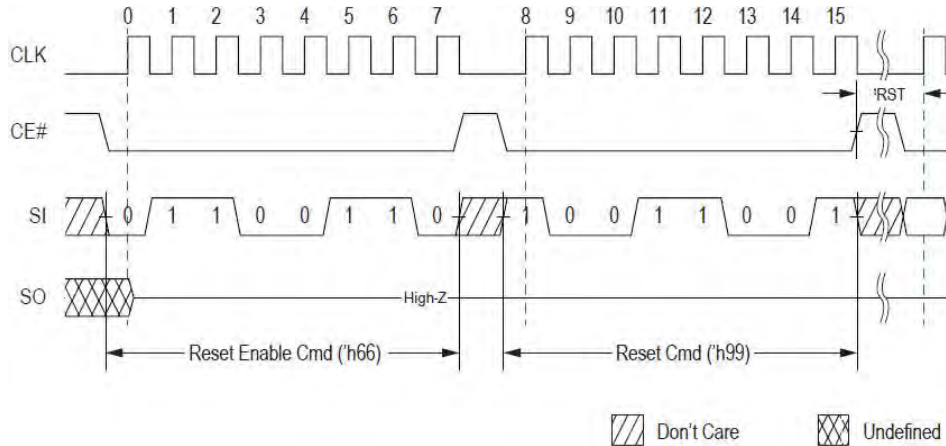
**Figure 17 Quad Mode Exit 'hF5 (only available in QPI mode)**



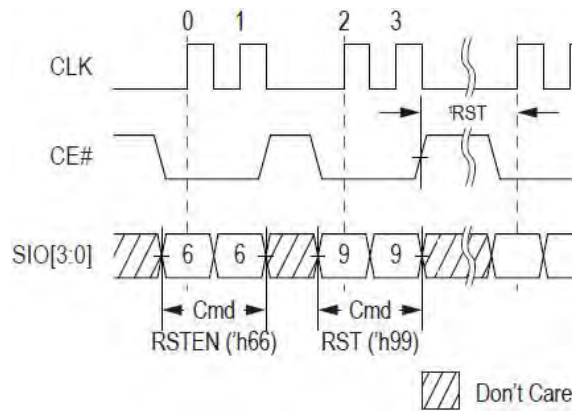
### 13. Reset Operation

The Reset operation is used as a system (software) reset that puts the device in SPI standby mode which is also the default mode after power-up. This operation consists of two commands: Reset-Enable (RSTEN) and Reset (RST).

**Figure 18 SPI Reset**



**Figure 19 QPI Reset**



Reset command has to immediately follow the Reset-Enable command in order for the reset operation to take effect. Any command other than the Reset command after the Reset-Enable command will cause the device to exit Reset-Enable state and abandon reset operation.

## 14. Input/Output Timing

Figure 20 Input Timing

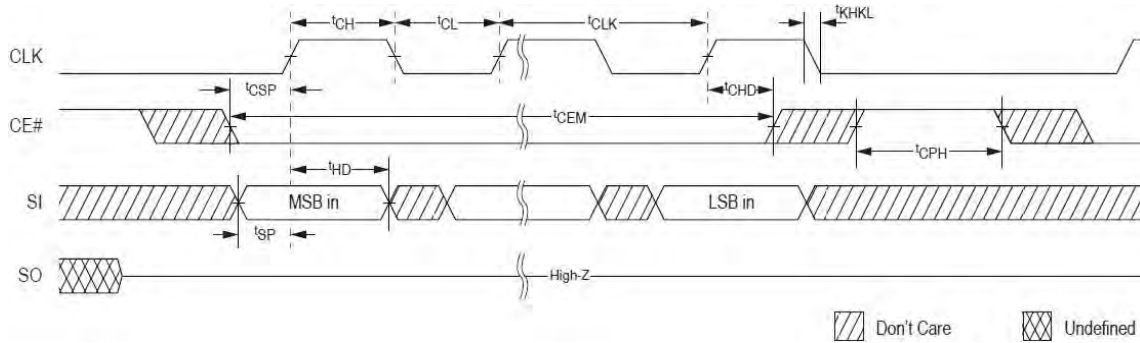
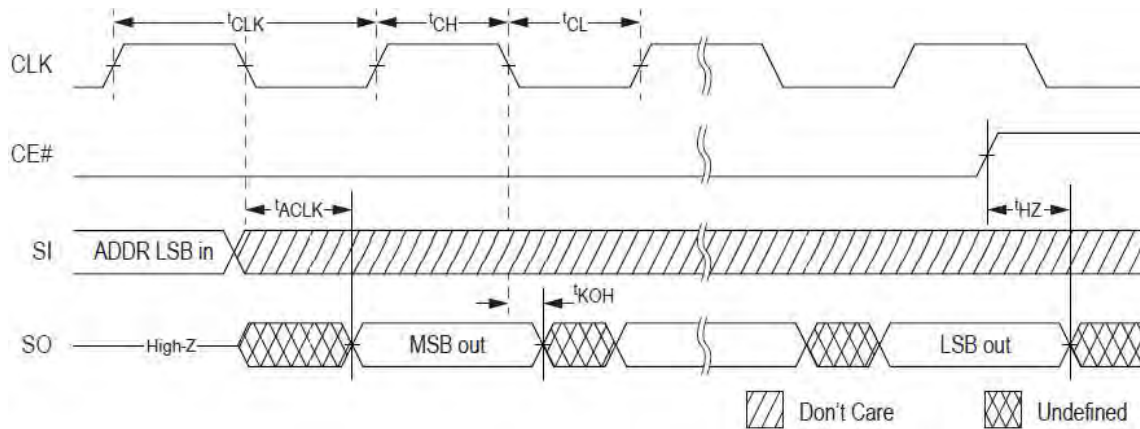


Figure 21 Output Timing



## 15. Electrical Specifications

### 15.1 Absolute Maximum Ratings

Table 4 Absolute Maximum Ratings

Parameter	Symbol	Rating	Unit	Notes
Voltage to any ball except $V_{DD}$ relative to $V_{SS}$	$V_T$	-0.4 to $V_{DD}+0.4$	V	
Voltage on $V_{DD}$ supply relative to $V_{SS}$	$V_{DD}$	-0.4 to +4.0	V	2
Storage Temperature	$T_{STG}$	-55 to +150	$^{\circ}C$	1

Notes: 1. Storage temperature refers to the case surface temperature on the center/top side of the PSRAM  
2. During voltage transitions, all pins may overshoot to -0.5V or  $V_{CC}+0.5V$  for period up to 20ns.

Caution:

Exposing the device to stress above those listed in Absolute Maximum Ratings could cause permanent damage. The device is not meant to be operated under conditions outside the limits described in the operational section of this specification. Exposure to Absolute Maximum Rating conditions for extended periods may affect device reliability

### 15.2 Pin Capacitance

Table 5 Package Pin Capacitance

Parameter	Symbol	Min	Max	Unit	Notes
Input Pin Capacitance	CIN		6	pF	VIN=0V
Output Pin Capacitance	COUT		8	pF	VOUT=0V

Note: spec'd at 25°C.

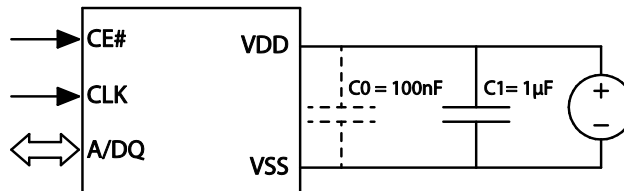
Table 6 Load Capacitance

Parameter	Symbol	Min	Max	Unit	Notes
Load Capacitance	C <sub>L</sub>		15	pF	

Note: System C<sub>L</sub> for the use of package

### 15.3 Decoupling Capacitor Requirement

It is required to have a decoupling capacitor on VDD pin for IO switchings and psram internal transient events. A low ESR 1μF ceramic cap is recommended. To minimize parasitic inductance, place the cap as close to VDD pin as possible. An optional 0.1μF can further improve high frequency transient response.



### 15.4 Operating Conditions

Table 7 Operating Characteristics

Parameter	Min	Max	Unit	Notes
Operating Temperature (extended)	-40	105	°C	
Operating Temperature (standard)	-40	85	°C	

## 15.5 DC Characteristics

Table 8 DC Characteristics

Symbol	Parameter	Min	Max	Unit	Notes
V <sub>DD</sub>	Supply Voltage	2.7	3.6	V	
V <sub>IH</sub>	Input high voltage	V <sub>DD</sub> -0.4	V <sub>DD</sub> +0.2	V	
V <sub>IL</sub>	Input low voltage	-0.2	0.4	V	
V <sub>OH</sub>	Output high voltage (I <sub>OH</sub> =-0.2mA)	0.8 V <sub>DD</sub>		V	
V <sub>OL</sub>	Output low voltage (I <sub>OL</sub> =+0.2mA)		0.2 V <sub>DD</sub>	V	
I <sub>LI</sub>	Input leakage current		1	μA	
I <sub>LO</sub>	Output leakage current		1	μA	
I <sub>CC</sub>	Read/Write		7	mA	1,2
ISB <sub>EXT</sub>	Standby current (105C)		350	μA	3
ISB <sub>STD</sub>	Standby current (85C)		250	μA	3

- Note :
1. Output load current not included.
  2. 50% bus toggling rate
  3. Standby current is measured when CLK is in DC low state.
  4. Typical ISB<sub>STDROOM</sub> is 100uA.

## 15.6 AC Characteristics

Table 9 Read/Write Timing

Symbol	Parameter	Min	Max	Unit	Notes
t <sup>CLK</sup>	CLK period - SPI Read ('h03)	30.3		ns	33MHz
	CLK period - QPI Read ('h0B)	15.1			66MHz
	CLK period - all other operations PKG 3V	7.5			133MHz <sup>*1,2,3</sup>
	CLK period - all other operations PKG 3.3V	9.17			109MHz <sup>*2,3</sup>
	CLK period - all other operations	11.9			84MHz <sup>*1</sup>
t <sup>CH</sup> /t <sup>CL</sup>	Clock high/low width	0.45	0.55	t <sup>CLK</sup> (min)	
t <sup>KHKL</sup>	CLK rise or fall time		1.5	ns	4
t <sup>CPH</sup>	CE# HIGH between subsequent burst operations	18		ns	
t <sup>CEM</sup>	CE# low pulse width		3	μs	Extended grade
			8		Standard grade
t <sup>CSP</sup>	CE# setup time to CLK rising edge PKG	2.5		ns	
t <sup>CHD</sup>	CE# hold time from CLK rising edge PKG	3.0		ns	2
t <sup>SP</sup>	Setup time to active CLK edge	2		ns	
t <sup>HD</sup>	Hold time from active CLK edge	2		ns	
t <sup>HZ</sup>	Chip disable to DQ output high-Z		5.5	ns	
t <sup>ACLK</sup>	CLK to output delay	2	5.5	ns	
t <sup>KOH</sup>	Data hold time from clock falling edge	1.5		ns	
t <sup>RST</sup>	Time between end of RST CMD to next valid CMD	50		ns	

Note:

1. Only Linear Burst allows page boundary crossing. Frequency limits are therefore 133MHz (PKG VDD= 3.0V+-10%), 109MHz(PKG VDD= 3.3V+-10%) max for Wrap 32 Bytes, and 84MHz for Linear Burst commands cross page boundary
2. System max C<sub>L</sub> 15pF for the use of package.
3. For operating frequencies >84MHz, it is highly recommended to utilize CLK falling edge to sample read data or align sampling clock via data pattern tuning (refer to JEDEC JESD84-B50 for an example.)
4. Measured from 20% to 80% of VDD

## 16. Revision History

Vision	Who	Date	Description
1	William CHEN	Dec 27 2022	Initial branded release