



PRIME SEATING **2017/2018 CATALOG**



A DRIVING FORCE IN COMFORT!

With Prime air-ride truck & bus seats, you can now relax every mile you drive on the road ! If you suffer by back-aches, please consider Prime seats to replace your old seat. Prime-Seating has best back support design and it lasts as long as you own. The back frame that has metal plate across its frame, which supports your back cushion and will support your back every mile you drive on the road.



A Driving Force in Comfort.

Today's heavy duty trucks can be quite sophisticated with many cutting-edge, hi-tech products behind the wheel and under the hood. Prime Seating, we continuously research and develop new technology for the latest advancements in truck seat industry.

Our focus turns from technology for the truck to technology for the driver. Driver comfort, we all know, is paramount to a safe, healthy and productive driver and it all starts in the driver's seat. And today's driver seats are quickly evolving beyond the regular factory installed seat to an **ergonomically designed seat** with options such as lumbar support, side bolster support, seat tilt, extendable cushion seats, memory height, and even cooling/heating seats to perfectly support your body as you drive.

These specially designed and engineered **air ride truck seats** are made for both medium and heavy duty trucks (and buses) and use the latest technology to promote a healthy driving position.

The seats range from a 200 series to the fully luxurious 600 series. Each series has different options, and in this article, we break these options down for you, so you can easily compare one model to another.

BASIC INFO

First, let's discuss some basic information that is helpful to know as you begin your research and comparison.

These seats come standard with the 4.25" tall mounting base. A lower 2" mounting base is available upon request with \$40 charge. The short base is popular for those who want the seat to settle to a position closer to the floor(AKA "Low Rider Base").

Each series (with the exception of the 600 series) is available in either **cloth or leather**. A "C" after the series number (i.e. 200C) indicates the **cloth version** and an "L" (i.e. 200L) indicates the **leather version**.

C → **Cloth**

L → **Leather**

H → **Adjustable Headrest**

A useful thing to note is that there is no price difference between the cloth and leather options. All of the leather series are made from the smooth, high end synthetic leather, with the exception of the 600 series which features natural premium leather.

An “**H**” in the product name (i.e. 300LH), lets you know the seat is a **mid-back seat and features an adjustable headrest.**

All of the seats come with a 3-year warranty on the foam and cushions and a million mile or 5 year warranty on the seat structure itself.

The seats are simple to install and should take about 15-20 minutes.

EACH SERIES SUMMARIZED

Let’s go over each of the series in details now. As we mentioned, they start with the 200 series and go on up to the luxurious 600 series which boasts not only heating options, but a cooling option as well.

Touring Comfort TCN300CL Series

Best Featured and Functioned seat with Two Tone Cloth/Leather combination Black Color Seat. This seat comes with “Slide type extended Cushion and Tilting” as standard feature. In addition, most high-end function, “Memory Height” function is also standard feature in “Touring Comfort Series” Seat.

Touring Comfort TCN500CL Series

In addition to TCN300CL, “TCN500CL” has “Built In 3 Point Seat Belt System”, “Adjustable Shock Absorber”, and “Quick Down” features which are able to control your own road condition from “Soft to Hard” and Easy In/Out by clicking one button control.



Prime 200 series

The 200 series (200C for cloth; 200L for leather) offers an innovative seat with a fully reclining backrest and dual arm rests. It also features an air height adjustment, fore/aft slide adjustments (to position you closer or farther away from the steering wheel) and fore/aft isolator – lock/unlock feature. You'll find the 200 series a vast improvement over the standard factory installed truck seat and you'll notice a welcome difference in your driving comfort.

Prime 300 series

This series offers everything the 200 series offers PLUS the following upgraded features : upper and lower air lumbar support (great for bad backs), side air bolster support, adjustable seat cushion extension, and an adjustable tilt. View the 300C for cloth or the 300L for leather.

The 300 LH is a mid-back profile seat with an adjustable independent headrest.

Prime 400 series

The 400 series (400C for cloth; 400L for leather) features everything from the 300 series plus two additional comfort options: 1) an adjustable shock absorber setting which lets you choose from 11 different settings (from soft to hard) so you can adjust your ride to road conditions. 2) heated seats – both bottom and back.

The 400 LH is a mid-back profile seat with an adjustable independent headrest.

Prime 550BUS

This seat is for buses and comes with “Memory Height & Quick Down” functions as standard. It has all of the controls on the ride hand side of the seat.

Prime 600 series – All the bells and whistles!

The 600 series is available only in a premium natural leather. In addition, memory height setting – simply adjust the seat to your preferred height initially and it automatically resets to that height each time you enter the truck. They've taken the 500 series and added another favorite features – a cool air ventilation system and Qucik down button. This provides cool air throughout the backrest and bottom cushion and provides relief from hot sticky seats during the summer months.

- This article made by “Ryder Fleet Products”.

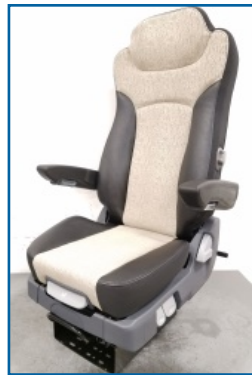
Touring Comfort Series

● TCK300CL

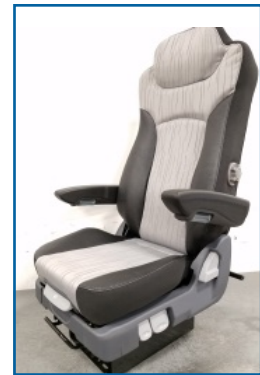
● TCN500CL



● Two Tone Beige Available
TCN300CLBG



● Two Tone Grey Available
TCN300CLGR



Functions & Features	Memory Height Adj	Recliner	Fore/Aft	Lumber	Dual Armrest	Cushion Slide	Tilting	Adj Shock Absorb	Quick Down	3 P Harness	Low Ride	Other Color
TCN300CL	S	S	S	S	S	S	S	N/A	N/A	N/A	O	N/A
TCN500CL	S	S	S	S	S	S	S	S	S	S	O	O

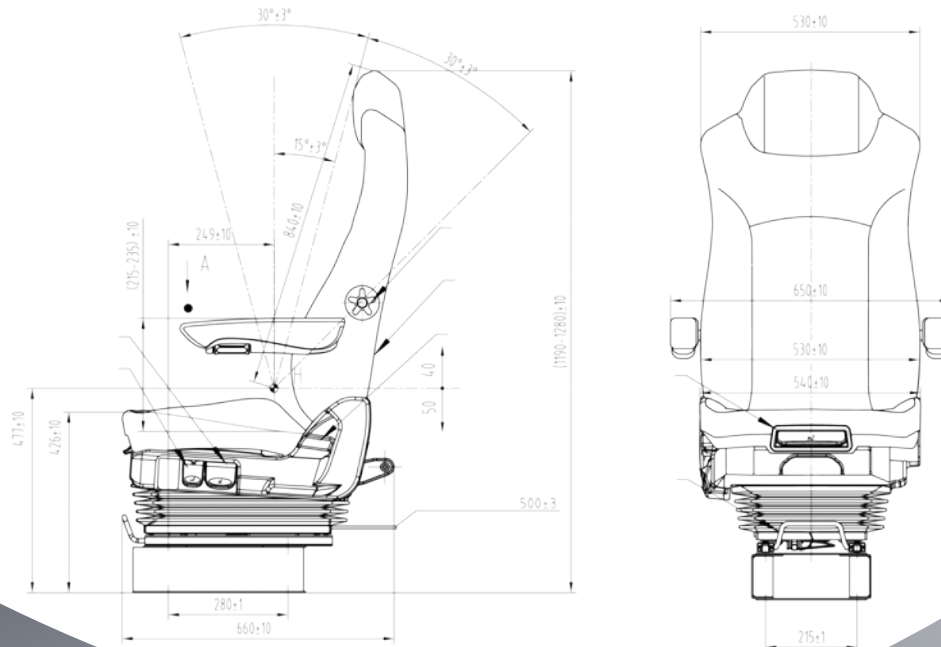
※ S : Standard | O: Option | N/A: Not Available

MODEL: TCN500CL

Two Tone Black Cover

- Insert : Cloth
- Outside : Leather

- 1** | Adjustable Dual Arm Rest
- 2** | Slide Type Bottom Cushion
- 3** | Fore/Aft Slider
- 4** | Universal Bottom Bracket
- 5** | Adjustable shock absorber (soft to hard) - TCN500CL Model only
- 6** | Tilting Angle Change
- 7** | Memory Height Adjustment
- 8** | Quick Down Easy In/Out - TCN500CL Model only
- 9** | Recliner - Moves Back Rest Forward/Backward
- 10** | ICP Bar - Tethering harness system installation - TCN300CL Model only
- 11** | Mechanical Lumber Support
- 12** | Built in Three Point Harness System - TCN500CL Model only





Prime Seating Series

● PR200L



● Two Tone Grey / Black



● Black



● Two Tone Brown



● Grey



● Red

● PR200C



● PR300L



● Two Tone Grey / Black

● PR300LH



Functions & Features	Recliner	Fore/Aft	Dual Lumber	Side Bolster	Cushion Slide	Tilting	Cloth	Mid Back	Adj. Armrest	Other Color	Low Rider	Isolator
PR200L	S	S	S	S	S	S	O	N/A	S	O	O	S
PR300L	S	S	S	S	S	S	O	N/A	S	O	O	S
PR300LH	S	S	S	S	S	S	N/A	S	S	N/A	O	S

※ S : Standard | O : Option | N/A : Not Available

Prime Seating Series

● PR400



● PR600



● PR400LH



- Color Available
- Black
- Brown
- Grey
- Red

- Color Available
- Black
- Red

Funtions & Features	Memory height	Heating & Cooling	Heating	quick down	ADJ. SHOCK	Re-cliner	Fore/Aft	Dual Lumber	Side Bolster	Cushion Slide	Tilting	Cloth	Mid Back	Adj. Armrest	Other Color	Low Rider	Isolator
PR400L	N/A	N/A	S	N/A	S	S	S	S	S	S	S	O	N/A	S	O	O	S
PR400LH	N/A	N/A	S	N/A	S	S	S	S	S	S	S	N/A	S	S	N/A	O	S
PR600L	S	S	N/A	S	S	S	S	S	S	S	S	N/A	S	S	O	O	S

※ S : Standard | O: Option | N/A: Not Available

MODEL: PRIME 600L

Two Tone Grey Cover

- Rey : Natural Premium Leather
- Rey : Synthetic Leather

- 1** | Adjustable Dual Arm Rest
- 2** | Slide Type Bottom Cushion & Angle Tilting
- 3** | Isolator (Free Move Front & Back) - Lock/Unlock position
- 4** | Fore/Aft Slider
- 5** | Universal Bottom Bracket
- 6** | Quick Down Easy In/Out - 600 Series only
- 7** | Adjustable shock absorber (soft to hard)
- 8** | Memory Height Adjustment- 600 Series only
- 9** | Heating & Cooling System(Bottom & Back) - 600 Series only
- 10** | Heating System (Bottom & Back) - 400 Series only
- 11** | Dual Lumber & Side Bolster Support operated by Air
- 12** | Recliner - Moves Back Rest Forward/Backward
- 13** | ICP Bar - Tethering harness system installation
- 14** | Adjustable Head Rest - 400LH & 600 Series only





Special Featured Seats

● Bus Seat PR550L



- Color Available
- Black - Grey
- Brown - Red

● TSD510/520



- Mechanical Suspension Seats



Functions & Features	Memory height	quick down	ADJ. SHOCK	Re-cliner	Fore/Aft	Dual Lumber	Side Bolster	Cushion Slide	Tilting	Cloth	Mid Back	Adj. Armrest	Other Color	Low Rider
PR550L BUS	S	S	S	S	S	S	S	S	S	O	N/A	S	O	O
TSD510	N/A	N/A	N/A	S	S	N/A	N/A	N/A	N/A	S	TSD520	N/A	N/A	N/A

※ S : Standard | O : Option | N/A: Not Available

Prime Seating Application Chart for Truck make and models

Freightliner	International	Kenworth	Mack	Peterbilt	Sterling	Volvo	Western Star
Century	4000 Series	C500	CH	320	Acterra	VHD	3800
Classic	5000 Series	T470	CX	325	AeroMax	VN	4800
Cascadia	7000 Series	T600	GRANITE	330	A-Series	VNL	4900
Classic XL	8000 Series	T660	GU	337	Louisville	VNM	5900
Columbia	9000 Series	T700	PINNACLE	348	L-Series	VT	6900
Coronado	DuraStar	T800	TITAN	365		WAH	LowMax
Coronado SD	LoneStar	T900	TD	367		WCA	Stratosphere
FLD	PayStar	T2000	VISION	379		WG	
FLD SD	ProStar	W900		382		WIA	
	TerraStar			384			
	TranStar			385			
	WorkStar			386			
				387			
				388			
				389			
				587			

Need Adaptor

- Prime-P0104
- ProStar
- LoneStar
- TranStar since 2002
- WorkStar since 2002
- DuraStar since 2001
- TerraStar
- 8000 Series since 2002
- 7000 Series since 2002
- 4000 Series since 2001



Need Adaptor

- Prime-P0101
- VHD Since 2000
- VN Since 2000
- VNL Since 2000
- VNM since 2000
- VT since 2000





PRIME SEATING SEATS FEATURES & SPECIFICATIONS

"S" Standard

"O" Optional

"NA" Not Equipped

TOURING COMFORT

PRIME

PRIME

PRIME

PRIME

PRIME

MODELS	TCL300CL	TCN500CL	PR200' S	PR300' S	PR400' S	PR550BUS	PR600' S
Compare Model Specs							
BASIC FEATURES							
Air Height ADJ.	up/dw 3"	up/dw 3"	up/dw 5"	up/dw 5"	up/dw 5"	up/dw 3"	up/dw 3"
Rubber Bellow	S	S	S	S	S	S	S
Fore / Abt ADJ.	S	S	S	S	S	S	S
Fully Reclining Backrest	S	S	S	S	S	S	S
Adj. dual arm rest	S	S	S	S	S	S	S
EXTERIOR DIMENSIONS							
Width-bottom cushion	21"	21"	21 "	21	21	21	21
Floor to hip point (w/ air)	13.5-16.5"	13.5-16.5"	13.5-20.5"	13.5-20.5"	13.5-20.5"	13.5-16.5"	13.5-16.5"
Total height (w/ air)	45-48"	45-48"	46-53"	46-53"	46-53"	46-53"	46-53"
Width-back rest(w/ arm rest)	20-26"	20-26"	20.5-26"	20.5-26"	20.5-26"	20.5-26"	20.5-26"
Total length (w/ extended)	24-26"	24-26"	22.5-24.5"	22.5-24.5"	22.5-24.5"	22.5-24.5"	22.5-24.5"
EXTERIOR FEATURES							
High Back style	S	S	S	300L	400L	NA	S
Mid Back style	NA	NA	NA	300LH	400LH	NA	S
Adj. Headrest	NA	NA	NA	300LH	400LH	NA	S
Fore / Abt Isolator	NA	NA	S	S	S	NA	S
Seat Tilt / 7 degree	S	S	NA	S	S	S	S
Ext. Cushion/Slide type	S	S	NA	S	S	S	S

"S" Standard

"O" Optional

"NA" Not Equipped

TOURING COMFORT

PRIME

PRIME

PRIME

PRIME

PRIME

MODELS	TCL300CL	TCN500CL	PR200' S	PR300' S	PR400' S	PR550BUS	PR600' S
Compare Model Specs							
OPTIONAL FEATURES							
Mechanical Lumber Support	S	S	NA	NA	NA	NA	NA
Air Lower Lumbar Support	NA	NA	O	S	S	S	S
Air Upper Lumbar Support	NA	NA	O	S	S	S	S
AirSide Bolster Support	NA	NA	O	S	S	S	S
Adj. Shock Absorber-soft to hard	NA	S	NA	NA	S	S	S
12 V Heating	O	O	O	O	S	NA	S
12 V Air Cooling	NA	NA	NA	NA	NA	NA	S
Memory Height	S	S	NA	NA	NA	S	S
Quick Down	NA	S	NA	NA	NA	S	S
Low Rider Capability	O	O	O	O	O	O	O
EXTERIOR COVER OPTIONS							
Two tone black cloth/leather	S	S	NA	NA	NA	NA	NA
Two tone grey cloth/leather	O	O	NA	NA	NA	NA	NA
Two tone beige cloth/leather	O	O	NA	NA	NA	NA	NA
Two tone grey synthetic leather	NA	NA	S	S	S	S	NA
Two tone grey genuine leather	NA	NA	NA	NA	NA	O	S
Solid black, beige, brown, red	NA	NA	O	O	O	O	NA
Solid black, red genuine leather	NA	NA	NA	NA	NA	NA	O

-America's best warranty and customer care services

All prime seating seats comes with 3 year parts and life time Structure warranties. Industry Leading Truck Seat manufacturer provides America's best warranty.

It provides you peace of mind of ownership of world best truck seat. Please, compare other seat manufacturer's warranty and our warranty assures you what is best customer care services!

Visit our web site, www.primeseatinginc.com for more detailed information!



1675 Lakes PKWY. Unit 114
Lawrenceville, GA 30043
T. 678.222.3788 F. 678.985.9839
www.primeseatinginc.com