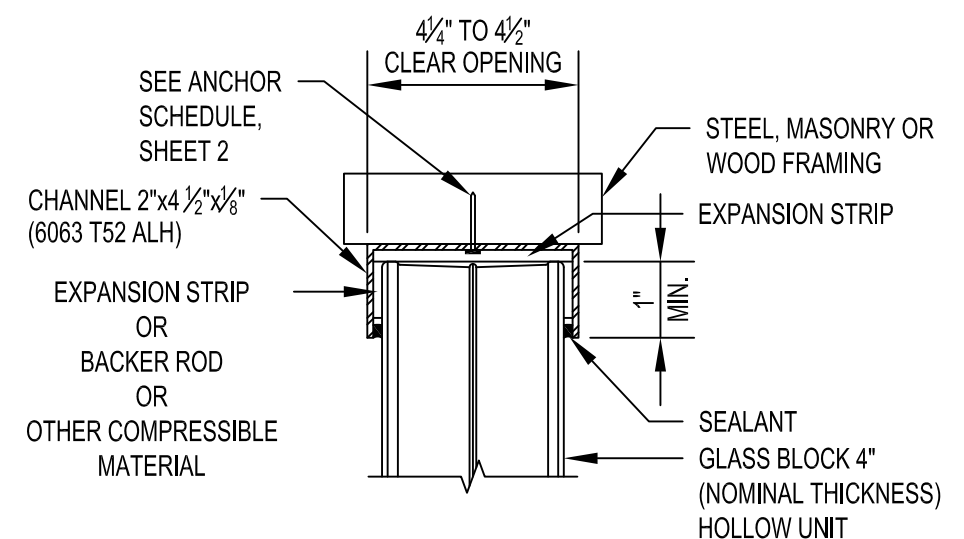


**PANEL ANCHOR RESTRAINT
DETAIL**
SCALE: 3" = 1'-0"



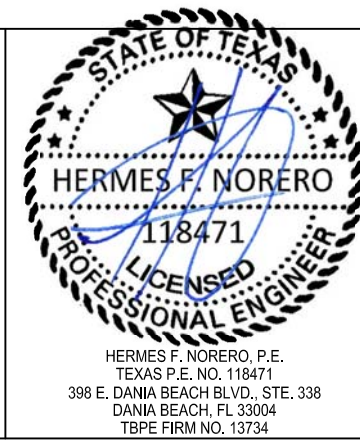
**CHANNEL RESTRAINT
DETAIL**
SCALE: 3" = 1'-0"

DESIGN PRESSURE RATING
± 75.0 PSF

DESIGN PRESSURE RATING
± 120.0 PSF

SEVES GLASS BLOCK HOLLOW UNITS (NOMINAL) 4" THICK					
SERIES	PATTERNS	NOMINAL DIM.	FACE THICKNESS	LARGE MISSILE IMPACT RESISTANT	SMALL MISSILE IMPACT RESISTANT
PREMIERE All 4" thick (nominal) Glass Block	All patterns	12"x12"x4" and all other smaller face sizes	0.187" (0.375" for 12"x12")	No	No
THICKSET® 60 All 4" thick (nominal) Glass Block	All patterns	8"x8"x4" and all other smaller face sizes	0.375"	No	No
THICKSET® 90 All 4" thick (nominal) Glass Block	All patterns	8"x8"x4" and all other smaller face sizes	0.750"	No	Yes Can be used without hurricane protection above 30 ft. from grade
ENERGY SAVINGS All 4" thick (nominal) Glass Block (with inserts)	All patterns	8"x8"x4" and all other smaller face sizes	0.187" (With 0.125" glass insert)	No	No

REVISIONS		
REV	DESCRIPTION	DATE
-	-	-



TITLE Glass Block Mortar System 4" Thick Hollow Glass Block			
SEVES GLASS BLOCK, INC. 10576 BROADVIEW ROAD BROADVIEW HEIGHTS, OH 44147			
SCALE	DWG. NO.	REV	
1/2" = 1'-0"	MORTAR-001	0	
BY	DATE	SHEET	1 OF 4
LMS	03/16/2012		

HERMES F. NORERO, P.E.
 TEXAS P.E. NO. 118471
 398 E. DANIA BEACH BLVD., STE. 338
 DANIA BEACH, FL 33004
 TBPE FIRM NO. 13734

SPECIFICATIONS (FOR NOMINAL 4" THICK HOLLOW GLASS BLOCK):

- **GLASS BLOCK UNITS:** 12"x12"x4" (nominal size) or smaller (face dimensions). Glass block thickness must be minimum 4" nominal (3 7/8" actual). Glass block units may be colored, may have glass inserts with coatings (Energy Savings Glass Block), and may have metallic oxide coatings (Solar Reflective Coatings), as manufactured by Seves Glass Block.
- **MORTAR:** Type "S" per ASTM C270.
- **REINFORCEMENT:** Ladder Type, 9-gauge, 2" wide with butt-welded crosswires spaced at 16" o.c., hot-dipped galvanized or stainless steel, as available from Seves Glass Block Inc. Placement is at horizontal joints (only) at a spacing of no more than 16" o.c. vertically. **Note:** Placement of reinforcing for 12"x12"x4" (nominal sized) glass block is at every horizontal joint.
- **PANEL ANCHORS:** Hot-dipped galvanized 20-gauge perforated steel strips, 24" long by 1 3/4" wide, or stainless steel 22-gauge perforated steel strips, 16" long by 1 3/4" wide, as available from Seves Glass Block. Placement is at both jamb and head locations. See anchor schedule for specific anchor types and spacing. **Note:** Placement of panel anchors for 12"x12"x4" (nominal sized) glass block is at every joint up both jambs and across the head. Embedment of panel anchors into mortar joints shall be at least 12 inches.
- **CHANNELS:** Aluminum (6063-T52ALH) 2"x4 1/2"x1/8", as available from Julius Blum & Co., Inc. (1-800-526-6293), or equal. Placement is at both jamb and head locations. See anchor schedule for specific anchor types and spacing.
- **EXPANSION MATERIAL:** Polyethylene type, 3/8" thick, as available from Seves Glass Block. Placed at both jamb and head locations.
- **SEALANT:** Silicone type. Placed at both jamb and head locations and on both exterior and interior sides.
- **ASPHALT EMULSION:** A water-based asphalt emulsion, by Karnak Chemical Corporation (Karnak 100, 1-800-526-4236), or equal.

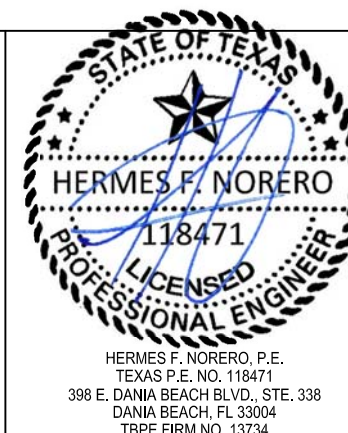
REVISIONS		
REV	DESCRIPTION	DATE
-	-	-

REQUIRED MINIMUM ANCHOR SPACING

SIZE	DESIGN PRESSURE	ALUMINUM ANGLE / CHANNEL SPACING		STEEL PANEL ANCHOR SPACING	
		HEAD	JAMBS	HEAD	JAMBS
48"x48"	+120/-120 PSF	2" FROM CORNER, 16" O.C.	2" FROM CORNER, 11" O.C.	MAX. 16" O.C. (MIN. (2) ANCHORS PER LOCATION)	MAX. 16" O.C. (MIN. (2) ANCHORS PER LOCATION)
48"x96"	+80/-80 PSF	2" FROM CORNER, 16" O.C.	2" FROM CORNER, 16" O.C.	MAX. 16" O.C. (MIN. (2) ANCHORS PER LOCATION)	MAX. 16" O.C. (MIN. (2) ANCHORS PER LOCATION)
72"x96"	+75/-75 PSF	2" FROM CORNER, 16" O.C.	2" FROM CORNER, 11 1/2" O.C.	MAX. 16" O.C. (MIN. (2) ANCHORS PER LOCATION)	MAX. 16" O.C. (MIN. (2) ANCHORS PER LOCATION)

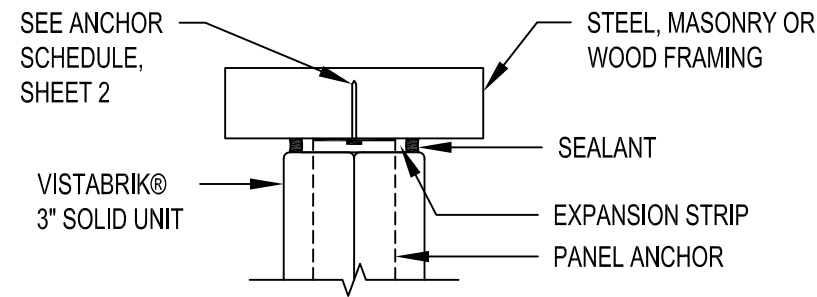
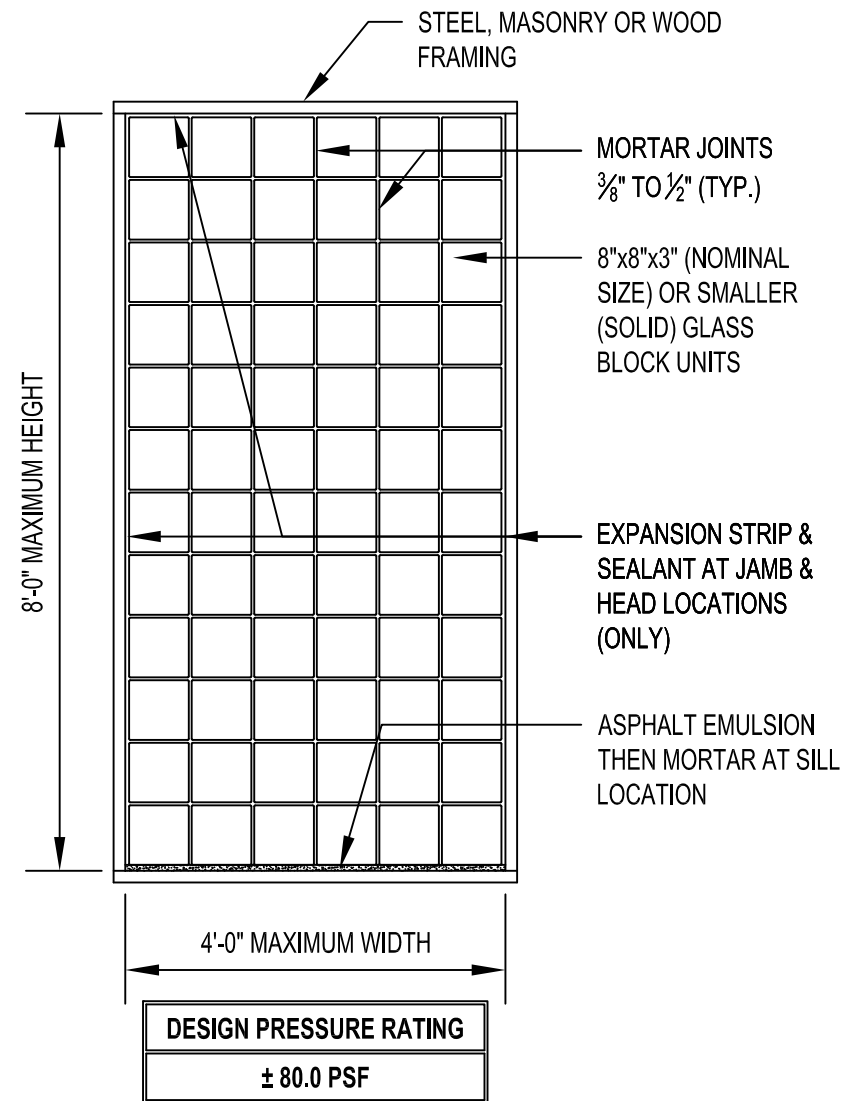
ANCHORAGE SCHEDULE

SUBSTRATE	MATERIAL DATA	FASTENER	MIN. EMBEDMENT (E)	MIN. EDGE DISTANCE (E.D.)
STEEL	MIN. 18 GA. f _y = 33 KSI	#10 SDS SAE GR. 5 SCREW (FLAT HEAD)	3 THREADS PENETRATION BEYOND STEEL FRAMING	N/A
CONCRETE	MIN. f _c = 3000 PSI	3/16" Ø HILTI KWIK CON II (FLAT HEAD)	1"	2 1/2"
MASONRY	CONFORMS TO ASTM C90 GROUT CONFORMS TO ASTM C476 MIN. GROUT f _c = 2000 PSI	3/16" Ø HILTI KWIK CON II (FLAT HEAD)	1"	2 1/2"
WOOD	MIN. S.G. = 0.42	#10 WOOD SCREW (FLAT HEAD)	1 1/2"	3/4"



TITLE			
Glass Block Mortar System 4" Thick Hollow Glass Block			
SEVES GLASS BLOCK, INC. 10576 BROADVIEW ROAD BROADVIEW HEIGHTS, OH 44147			
SCALE	DWG. NO.	REV	
1/2" = 1'-0"	MORTAR-001	0	
BY	DATE	SHEET	
LMS	03/16/2012	2 OF 4	

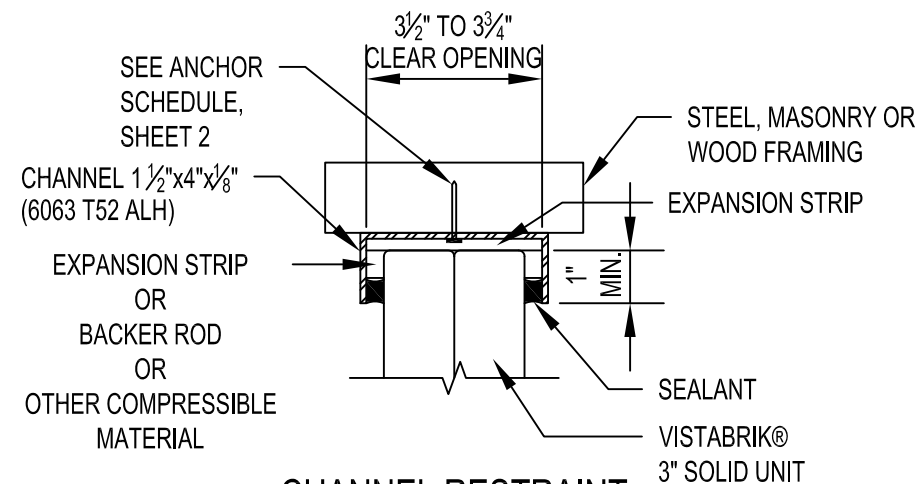
REVISIONS		
REV	DESCRIPTION	DATE
-	-	-



PANEL ANCHOR RESTRAINT

DETAIL

SCALE: 3" = 1'-0"



CHANNEL RESTRAINT

DETAIL

SCALE: 3" = 1'-0"

SPECIFICATIONS (FOR NOMINAL 3" THICK SOLID GLASS BLOCK):

- **GLASS BLOCK UNITS:** 8"x8"x3" (nominal size) or smaller (face dimensions). Solid glass block must be minimum 3" thick, as manufactured by Seves Glass Block.
- **MORTAR:** Type "S" per ASTM C270.
- **REINFORCEMENT:** Ladder Type, 9-gauge, 1 $\frac{5}{8}$ " wide with butt-welded crosswires spaced at 16" o.c., hot-dipped galvanized or stainless steel, as available from Seves Glass Block Inc. Placement is at horizontal joints (only) at a spacing of no more than 16" o.c. vertically.
- **PANEL ANCHORS:** Hot-dipped galvanized 20-gauge perforated steel strips, 24" long by 1 $\frac{3}{4}$ " wide, or stainless steel 22-gauge perforated steel strips, 16" long by 1 $\frac{3}{4}$ " wide, as available from Seves Glass Block. Placement is at both jamb and head locations. See anchor schedule for specific anchor types and spacing. Embedment of panel anchors into mortar joints shall be at least 12 inches.
- **CHANNELS:** Aluminum (6063-T52ALH) 1 $\frac{1}{2}$ "x4"x $\frac{1}{8}$ ", as available from Julius Blum & Co., Inc. (1-800-526-6293), or equal. Placement is at both jamb and head locations. See anchor schedule for specific anchor types and spacing.
- **EXPANSION MATERIAL:** Polyethylene type, $\frac{3}{8}$ " thick, as available from Seves Glass Block. Placed at both jamb and head locations.
- **SEALANT:** Silicone type. Placed at both jamb and head locations and on both exterior and interior sides.
- **ASPHALT EMULSION:** A water-based asphalt emulsion, by Karnak Chemical Corporation (Karnak 100, 1-800-526-4236), or equal.

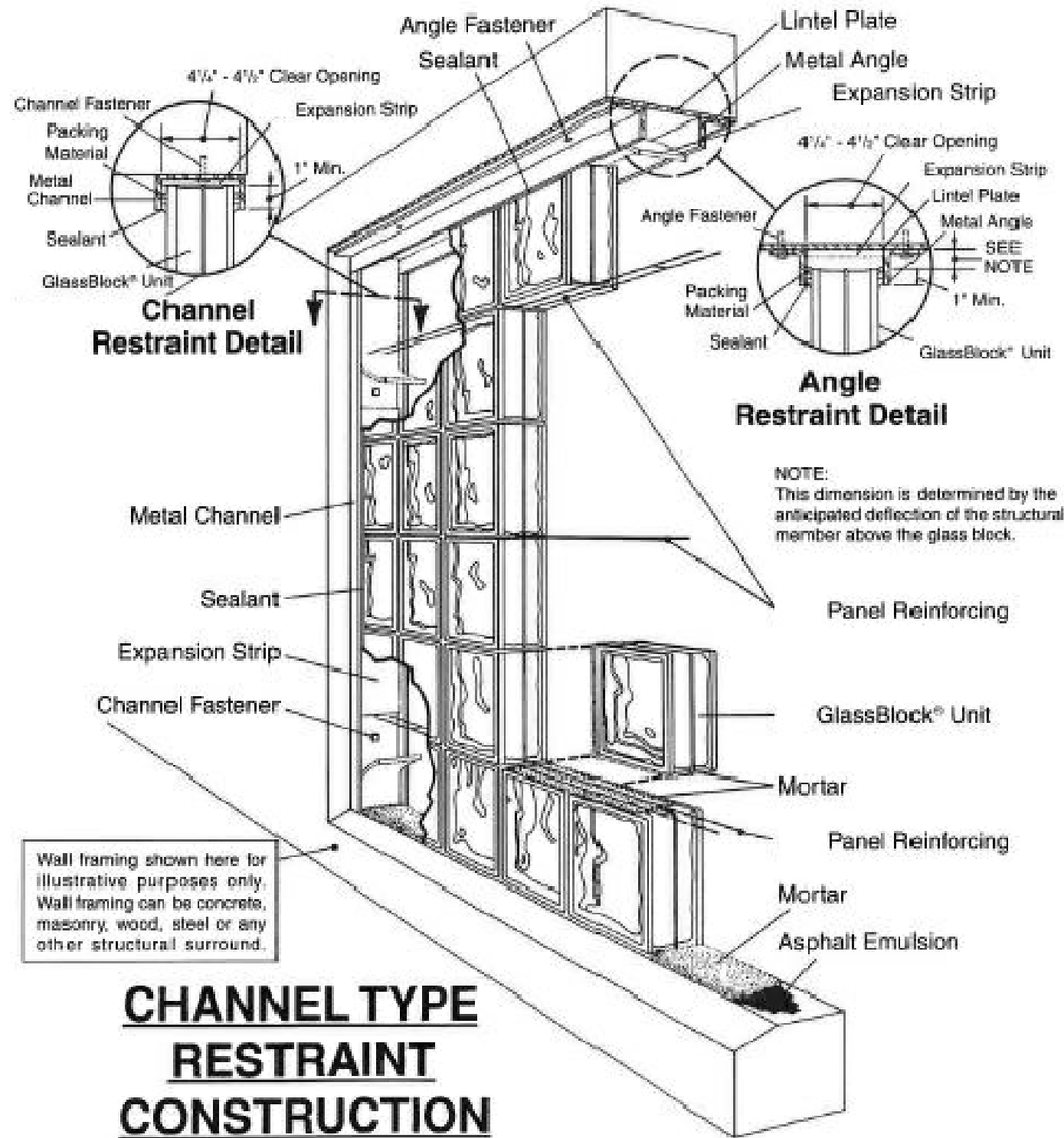
SEVES GLASS BLOCK INC. SOLID UNITS (NOMINAL) 3" THICK

SERIES	PATTERNS	NOMINAL DIM.	FACE THICKNESS	LARGE MISSILE IMPACT RESISTANT	SMALL MISSILE IMPACT RESISTANT
VISTABRIK® Solid Units All 3" thick (nominal)	All patterns	8"x8"x3" and all other smaller face sizes	3" (nominal) thick solid units	No	Yes Can be used without hurricane protection above 30 ft. from grade

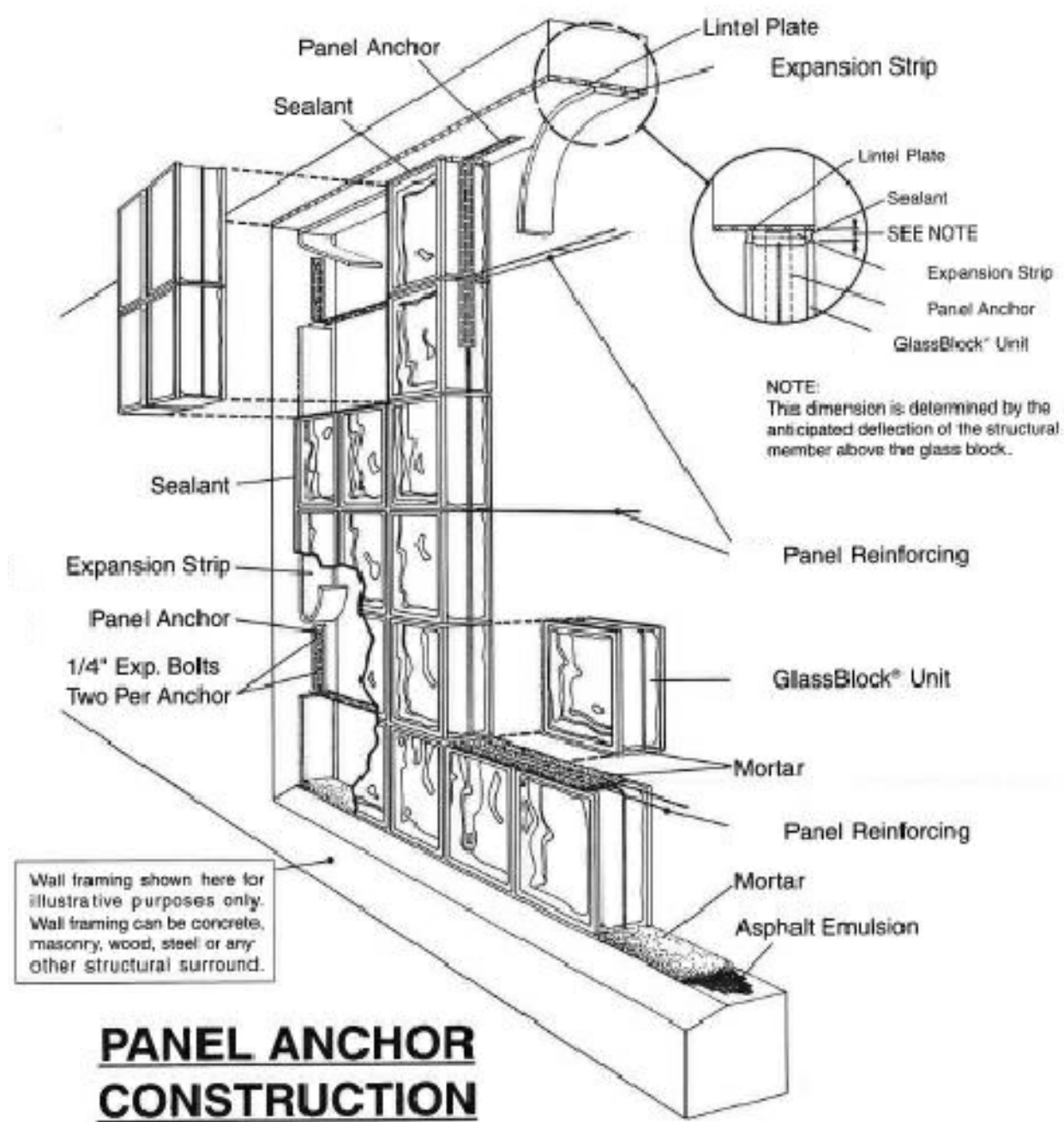


HERMES F. NORERO, P.E.
TEXAS P.E. NO. 118471
398 E. DANIA BEACH BLVD., STE. 338
DANIA BEACH, FL 33004
TBPE FIRM NO. 13734

TITLE			
Glass Block Mortar System 3" Thick Solid Glass Block			
SEVES GLASS BLOCK, INC. 10576 BROADVIEW ROAD BROADVIEW HEIGHTS, OH 44147			
SCALE	DWG. NO.	REV	
1/2" = 1'-0"	MORTAR-001	0	
BY	DATE	SHEET	
LMS	03/16/2012	3 OF 4	

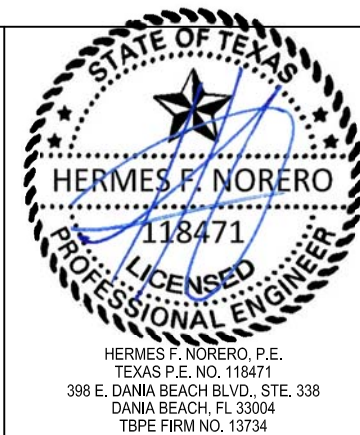


**CHANNEL TYPE
RESTRAINT
CONSTRUCTION**



**PANEL ANCHOR
CONSTRUCTION**

REVISIONS		
REV	DESCRIPTION	DATE
-	-	-



HERMES F. NORERO, P.E.
TEXAS P.E. NO. 118471
398 E. DANIA BEACH BLVD., STE. 338
DANIA BEACH, FL 33004
TBPE FIRM NO. 13734

TITLE			
Glass Block Mortar System Generic Construction Details - Isometric Views			
SEVES GLASS BLOCK, INC. 10576 BROADVIEW ROAD BROADVIEW HEIGHTS, OH 44147			
SCALE	DWG. NO.	REV	
NTS	MORTAR-001	0	
BY	DATE	SHEET	4 OF 4
LMS	03/02/2012		