

DeWall Panel Saw

‘The smart choice for panel fabrication - It just makes WALLS!’

*We Build Quality
Saws.*

*Our Price, Quality, and Support
is Unbeatable.*



MONET DESAUW, INC.

3100 Dogwood Drive
Fulton, MO. 65251

Phone: 573-642-4900

Fax: 573-642-3736

E-mail: sales@desauw.net

Website: www.desauw.com

The DeWall's price, performance, efficiency and quality can't be beat by other panel saws on the market. When combined with the optional automatic infeed system, your plant will experience a new level of automation.

Below are just a few of the DeWall's features:



- Loads board definitions from a job file or allows manually creating boards using the touch-screen computer
- Optimizes lumber using sawyer-defined "fill" boards when necessary for better optimization
- Capable of cutting two boards at once, 2x4 to 2x12
- UP cut motion is fast and accurate
- Standard with ink jet printer to mark the 'side' of the board for easy to read placement
- Safe and efficient to operate
- The software generates a pick list
- Servo controlled pusher for accurate lengths
- Auto double stacking and additional ink heads available

More DeWall features are listed below:

- Uses a positive lumber pusher
- Inks on the side of the board
- Up cut motion for faster cutting
- Creates a pick list for optimization
- Uses a 22 inch blade, cuts up to 2x12



MONET DESAUW, INC.
1-573-642-4900

Optimizes lumber

UNIT 6 EXT 1-8.8.10 TP BP 0% Complete 0 of 14 Cut Lumber Selection: Pick List 2 Boards

Items Ready To Cut

Assembly	Piece	Size	Count	Grade	Height
E105	A	2x6x6	1of1	2x6 Wol TRE	2x6
E105	B	2x6x6	1of1	2x6 SPF No 2	2x6
E103	A	2x6x12	1of1		
E103	B	2x6x12	1of1		

Job Items

Index	Total Count	Grade	Size	Overall	Assembly	Piece	Count
3	2	2x6 Wol TREA.	2x6x6	5-6-0	E105	A	1of1
4	2	2x6 Wol TREA.	2x6x6	5-6-0	E105	B	1of1
5	2	2x6 Wol TREA.	2x6x8	7-7-0	E102	B	1of1
6	2	2x6 Wol TREA.	2x6x4	3-2-8	E101	A	1of1
7	1	2x6 Wol TREA.	2x6x6	5-6-6	E104	A	1of1
					E104	B	1of1
					E109	A	1of1

Pick List - UNIT 6 EXT 1-8.8.10 TP & BP / Encore

Board Count	Grade	Height	Length	Board Feet	Waste
2	2x6 Wol TREATED 2x6 SPF No 2	2x6	18-0-0	34.5	1.3
2	2x6 Wol TREATED 2x6 SPF No 2	2x6	20-0-0	37.2	2.3
1	2x6 Wol TREATED	2x6	14-0-0	13.2	0.8
1	2x6 SPF No 2	2x6	14-0-0	12.8	1.1

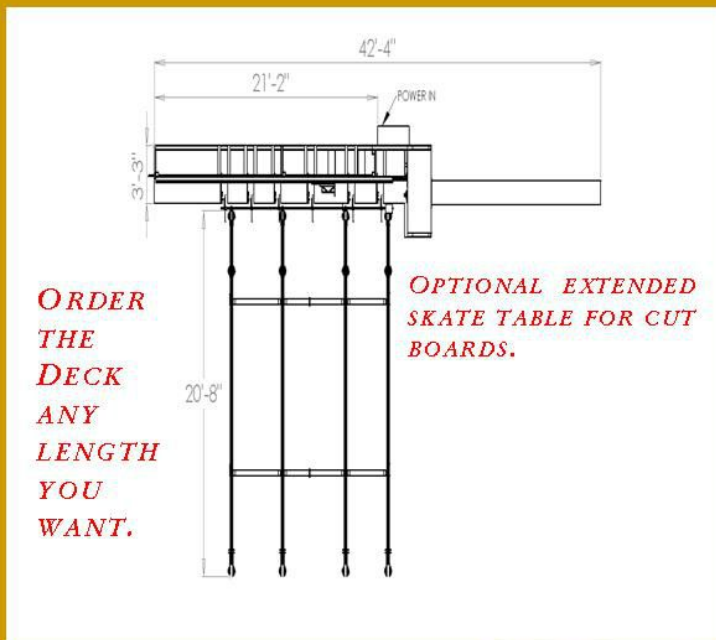
CREATES A PICK LIST IN THE ORDER TO CUT

Total Board Count: 6, Total Board Feet: 98.3, Total Waste: 5.7

Options:

- Live Deck (automatic or manual)
- Auto Double stack feature for Deck
- Dust ports
- Inker capability on the face of the top and bottom boards

UNBEATABLE SERVICE AND VERY RELIABLE!



Inks on the side of the board and the face

DeWall dimensions



Sample wall

