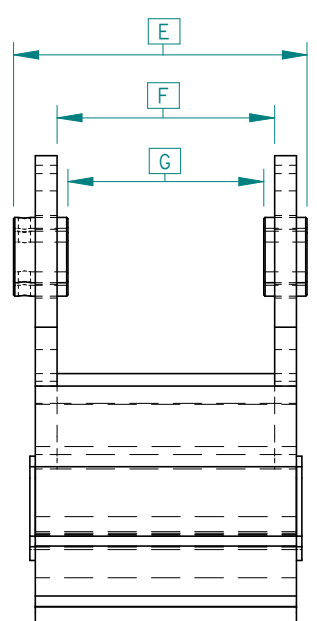
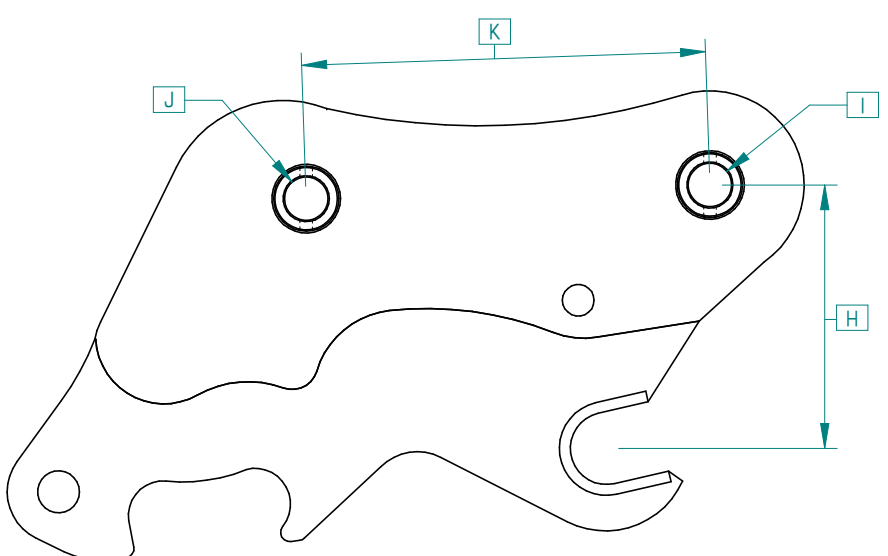
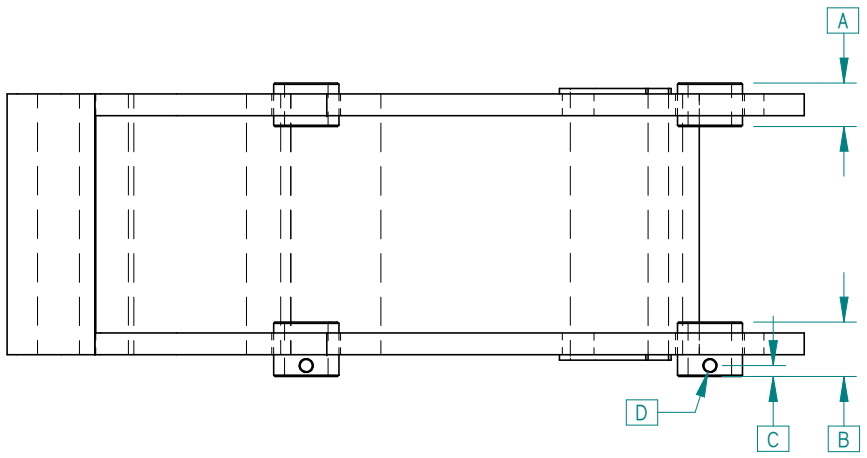


REVISION HISTORY			
REV	DESCRIPTION	DATE	APPROVED



CUSTOMER: _____

PHONE #: _____

MAKE / MODEL: _____


MEASURED BY: _____

DATE: _____

- A _____
- B _____
- C _____
- D _____
- E _____
- F _____
- G _____
- H _____
- I _____
- J _____
- K _____

CONFIDENTIAL

SPECIFICATIONS, DESCRIPTIONS, AND ANY OTHER INFORMATION CONTAINED IN THIS DRAWING IS THE PROPERTY OF SOLESBEE'S EQUIPMENT & ATTACHMENTS, LLC AND MAY NOT BE COPIED, PUBLISHED, OR DISSEMINATED WITHOUT WRITTEN PERMISSION FROM AN AUTHORIZED AGENT OF SOLESBEE'S EQUIPMENT & ATTACHMENTS, LLC

	NAME	DATE	
DRAWN	mvaughn	09/02/14	
CHECKED			
ENG APPR			
MGR APPR			TITLE
UNLESS OTHERWISE SPECIFIED DIMENSIONS ARE IN INCHES ANGLES ±1° 2 PL ±.03 3 PL ±.0004			Quick Coupler Spec Sheet
	SIZE	DWG NO:	REV
	D		
FILE NAME: Quick Coupler Spec Sheet.dft			
SCALE:	WEIGHT:	SHEET 1 OF 1	