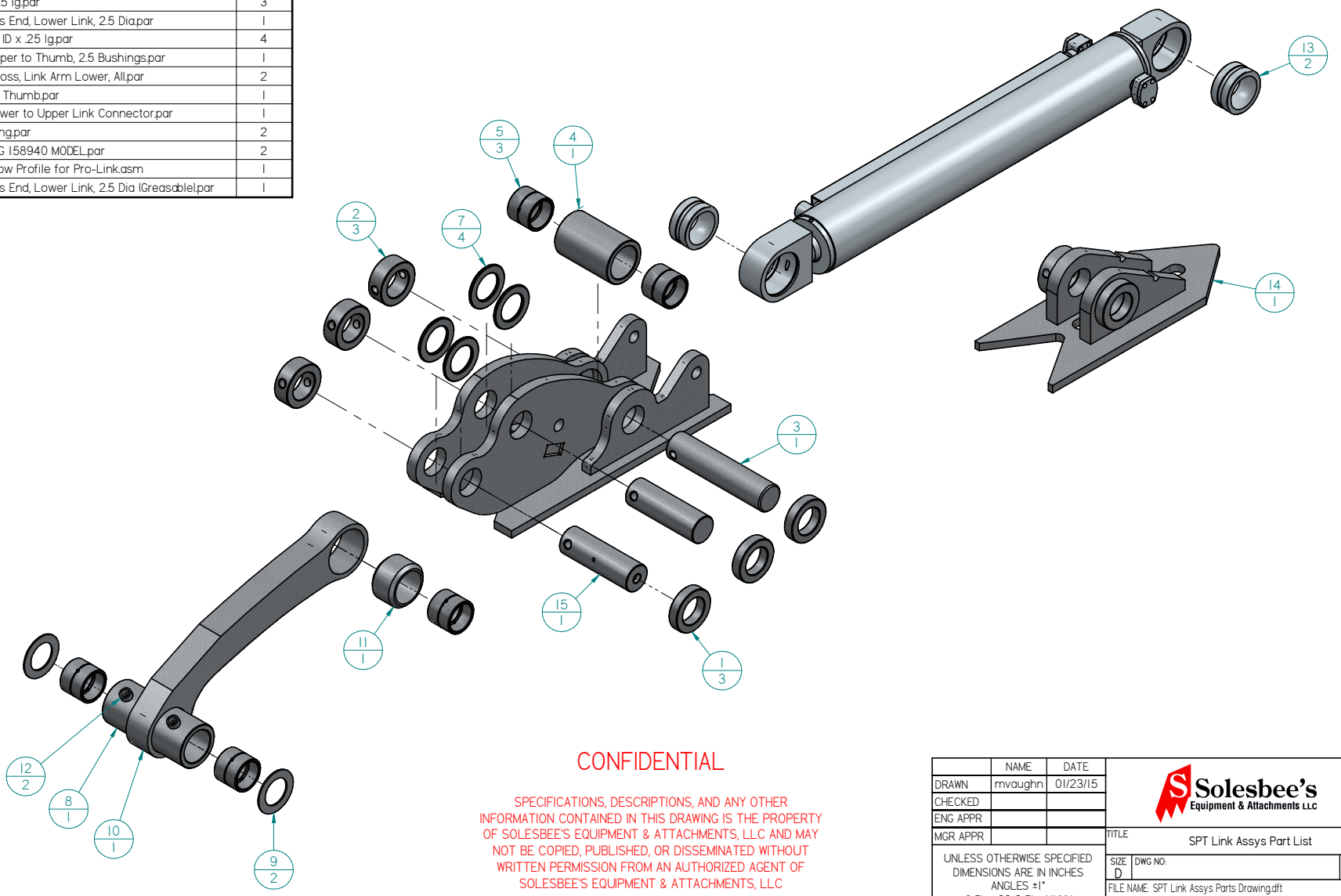


Item Number	File Name	Quantity
1	Boss, BP Cyl Hitch W O Hole.par	3
2	Boss, BP Cyl Hitch All W Hole.par	3
3	Pin, BPA to Lower Link, 2.5 Dia.par	1
4	Boss, Link Arm Assy, Lower to BPA.par	1
5	Bushing, 2.5 ID x 2.5 Ig.par	3
6	Pin, Cyl Hitch Clevis End, Lower Link, 2.5 Dia.par	1
7	Spacer, 4 OD x 2.5 ID x .25 Ig.par	4
8	Boss, Link Arm, Upper to Thumb, 2.5 Bushings.par	1
9	SPACER, Side for Boss, Link Arm Lower, All.par	2
10	SPT Link, Upper to Thumb.par	1
11	Boss, Link Arm, Lower to Upper Link Connector.par	1
12	Cover, Grease Fitting.par	2
13	SPHERICAL BEARING 158940 MODEL.par	2
14	SET-3H BP Assy Low Profile for Pro-Linkasm	1
15	Pin, Cyl Hitch Clevis End, Lower Link, 2.5 Dia (Greaseable).par	1

REVISION HISTORY			
REV	DESCRIPTION	DATE	APPROVED



CONFIDENTIAL

SPECIFICATIONS, DESCRIPTIONS, AND ANY OTHER INFORMATION CONTAINED IN THIS DRAWING IS THE PROPERTY OF SOLESBEE'S EQUIPMENT & ATTACHMENTS, LLC AND MAY NOT BE COPIED, PUBLISHED, OR DISSEMINATED WITHOUT WRITTEN PERMISSION FROM AN AUTHORIZED AGENT OF SOLESBEE'S EQUIPMENT & ATTACHMENTS, LLC

NAME	DATE		TITLE	SPT Link Assys Part List	
DRAWN	mvaughn 01/23/15		SIZE	DWG NO:	REV
CHECKED			D	FILE NAME: SPT Link Assys Parts Drawing.dlt	
ENG APPR			SCALE:	WEIGHT:	SHEET 1 OF 1
MGR APPR		UNLESS OTHERWISE SPECIFIED DIMENSIONS ARE IN INCHES ANGLES ±1° 2 PL ±.03 3 PL ±.0005			