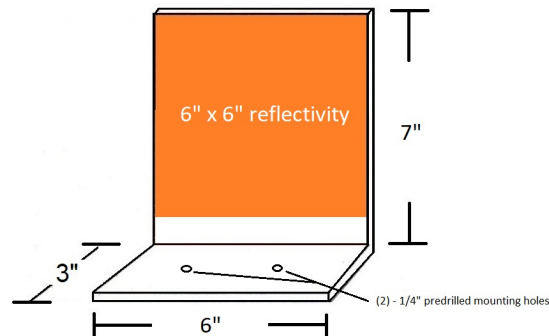


Flex Barrier Marker (FB67)



FB67-1: Single Sided Sheeting
FB67-2: Double Sided Sheeting

The Artuk FB67 marker body is made of a high impact plastic 1/8" thick. These can be mounted to the top of a barrier wall using our manufacturer approved adhesive.

Flex Barrier Markers (FB's) shall meet the minimum specific intensity requirements as follows:

Reflective Sheeting Available

ASTM D-4956 Spec	Traffic/Work Zone Colors
III/IV	White, Yellow, Blue, Green, Red, Brown
VIII	White, Yellow, Blue, Green, Red, Fluorescent Yellow, Fluorescent Yellow/Green, Fluorescent Orange
IX	White, Yellow, Blue, Green, Red, Fluorescent Yellow, Fluorescent Yellow/Green, Fluorescent Orange
XI	White, Yellow, Blue, Green, Red, Brown, Fluorescent Yellow, Fluorescent Yellow/Green, Fluorescent Orange

Application Rate: 15 Units/Tube of Adhesive Cement