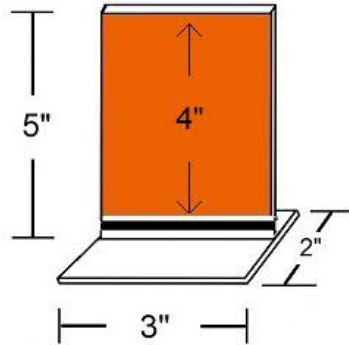
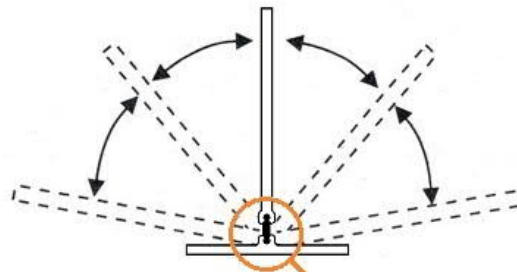


FLEX-TAB (FT) BARRIER MARKERS (Arizona)



FT_x-1 single sided
 FT_x-2 double sided
 x = Width (in)

The **Flex-Tab** body will retain its original shape after being hit repeatedly. The marker body is made of rigid PVC with co-extruded 80 durometer polyurethane acting as a working hinge.



NEW hinge design - material recesses into the base & body with added undercuts, further strengthening the bond (between hinge & body)

Flex-Tab Markers shall meet the minimum specific intensity requirements as follows

Reflective Sheeting Available

ASTM D-4956 Spec	Traffic/Work Zone Colors
XI	White, Yellow, Blue, Green, Red, Brown, Fluorescent Yellow, Fluorescent Yellow/Green, Fluorescent Orange

Application Rate: 50 Units/Tube of Adhesive Cement