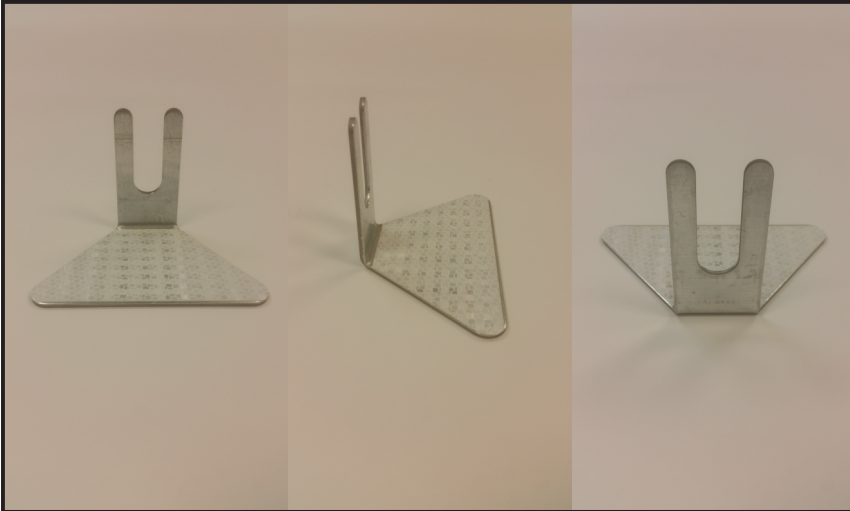


Georgia (GADOT) GBD (Galvanized Bolt-on Delineator)



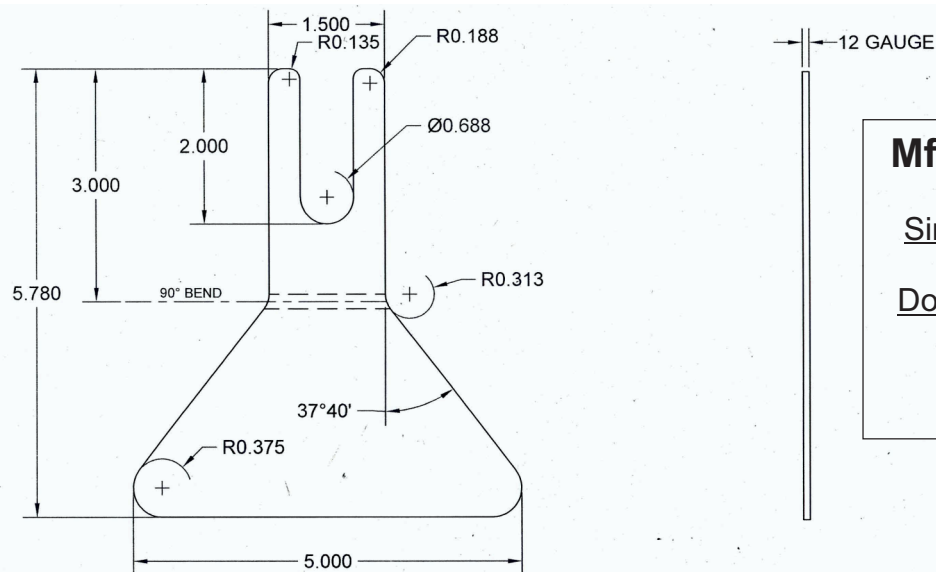
Marker Body:
12 Gauge Galvanized

ASTM D-4956 Reflectivity Level:
Type IX/XI

Colors:
White, Yellow, Orange, Blue, Green,
Red, Brown, Fluorescent Yellow,
Fluorescent Yellow-Green,
Fluorescent Orange

Installation:

The GBD offers a slotted base that slips under the existing Guardrail bolt, saving time and money during installation



The Artuk **Galvanized Bolt-On Delineator (GBD)** offers 8+ square inches of reflectivity, making it highly visible all season long (day or night). The marker body is USA made Melted and Galvanized 12 Gauge Steel. Strong enough to withstand being hit repeatedly by snow plows and protecting it from any vandalism year after year.

The **Galvanized Bolt-On Delineator (GBD)** can meet ANY reflectivity level required by Federal, State, Local and International Municipalities.