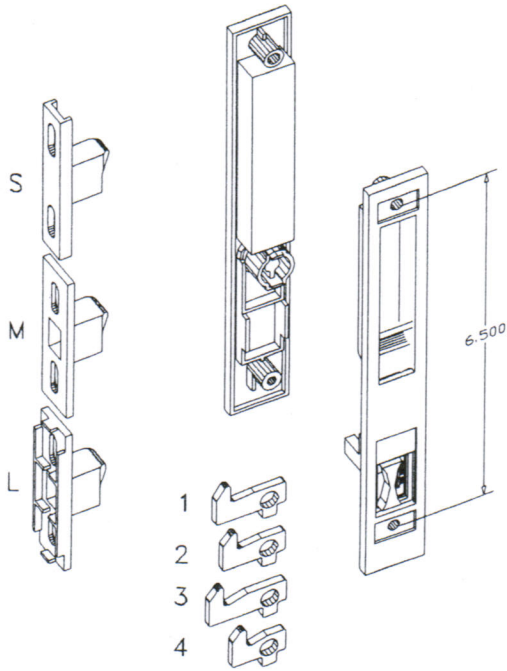


PATIO DOOR...

PATIO LOCK SET MF3034



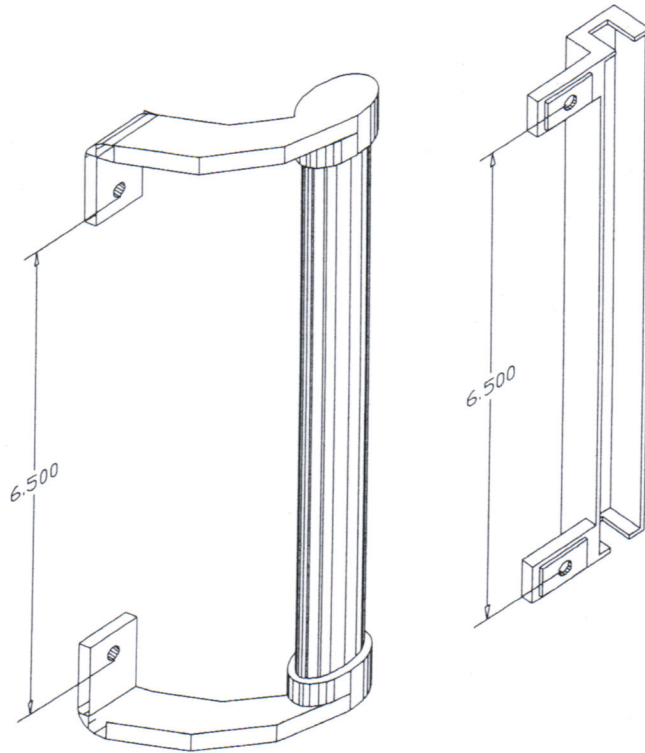
PATIO LOCK SET OPTIONS
 Choose one of each:

HOOKS - 1, 2, 3, 4
 KEEPERS - S, M, L
 SCREW LENGTH - 7/8", 1", 1 1/8", 1 3/8"

PULL HANDLES

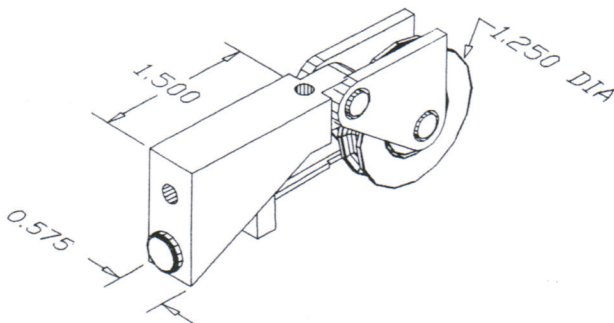
High Profile
 MF3033

Low Profile
 MF3032

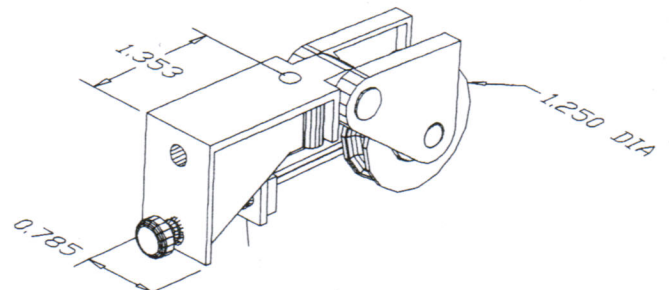


Choose Screw Length 1", 1 1/8", 1 3/8"

Small ROLLER MF3075



Large ROLLER MF3035

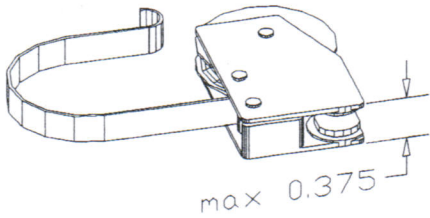


Specify Hole Thread 10-24, 10-32
 Choose Single/Double Hole
 With/Without Spring

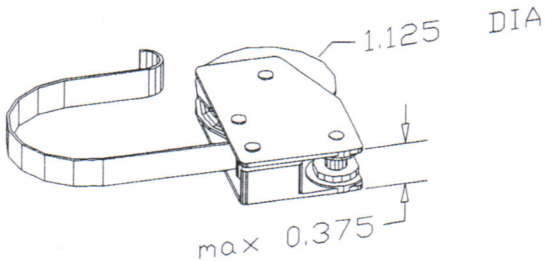
SCREEN DOOR...

SCREEN ROLLERS MF3002

Roller without Axle



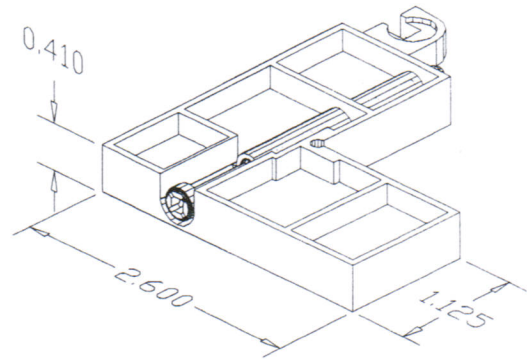
Roller with Axle



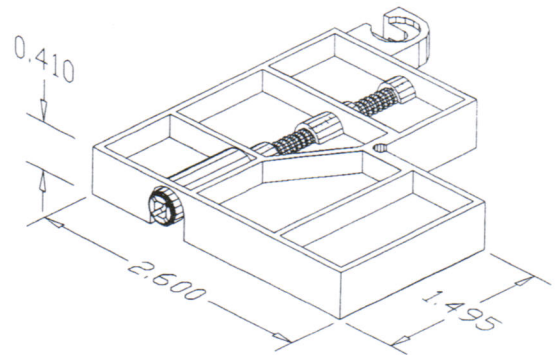
ROLLER OPTIONS
CHOOSE:

- With/Without Axle
- Steel Bearing
- Delrin Bearing
- Plastic Wheel

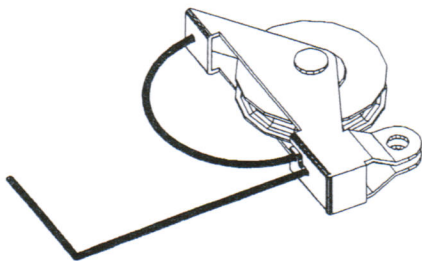
Small CORNER MF3001



Large CORNER MF3037



PULLEY WHEEL ROLLER

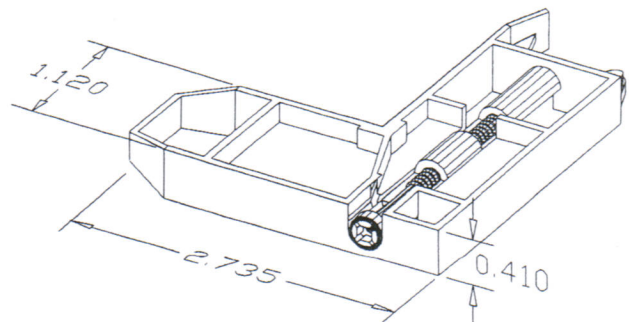


PULLEY WHEEL ROLLER

Quote

MF3039 Steel Bearing MF3040 Plastic Wheel

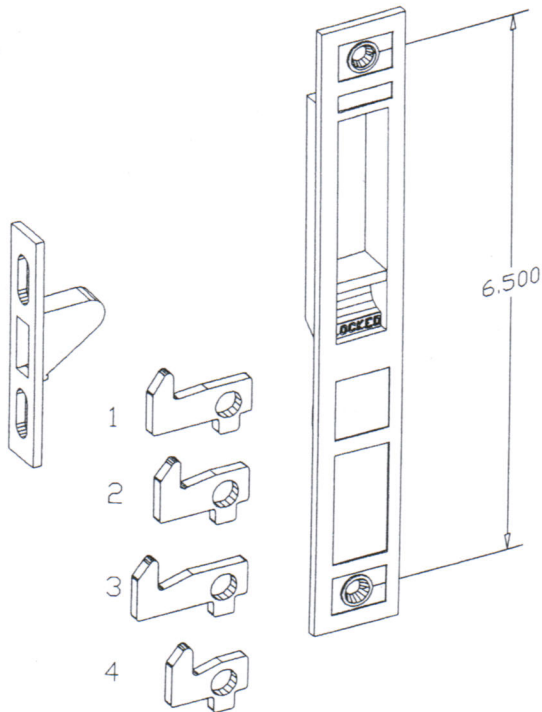
DC150 CORNER MF3041



SCREEN DOOR...

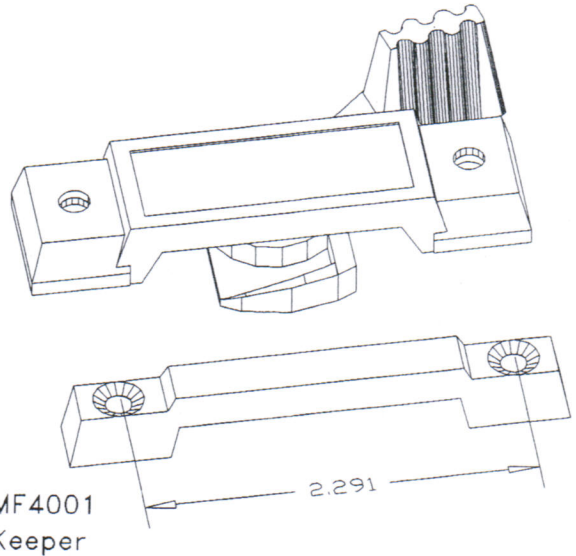
...WINDOW & SCREEN

SCREEN LOCK SET MF3057

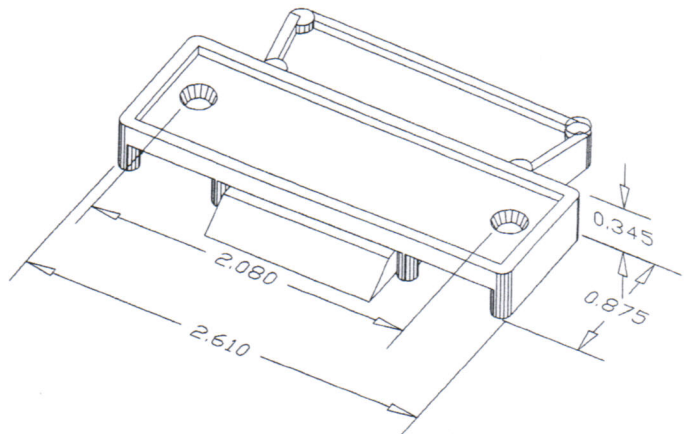


Choose ONE of the following HOOKS: #1,2,3,4

SASH LOCK with Painted Finish MF4000

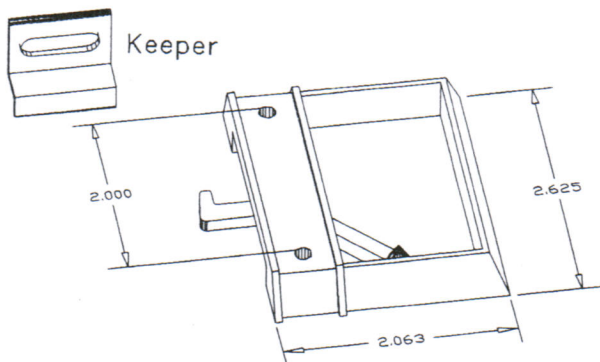


DC56/57 CENTER LOCK SET MF3043



CENTER LOCK FINISHING OPTIONS:
 Plated, Mill, or Painted
 Lock set includes 2 Springs

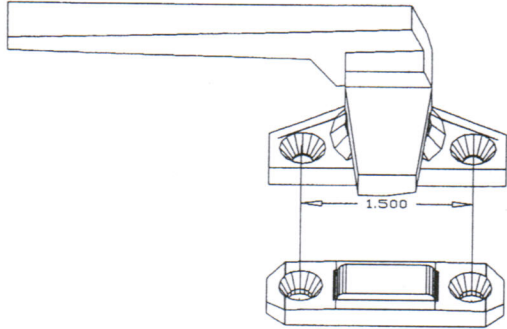
SCREEN LATCH Set MF3077



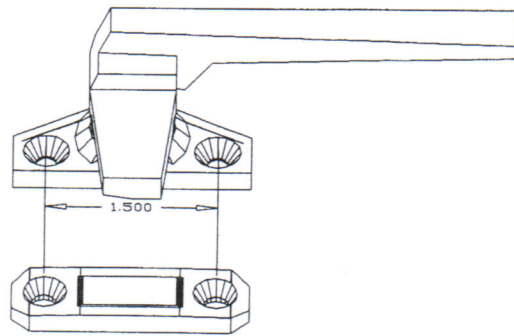
WINDOW & SCREEN...

CAM HANDLE SET MF3091L/R Painted Finish

LEFT

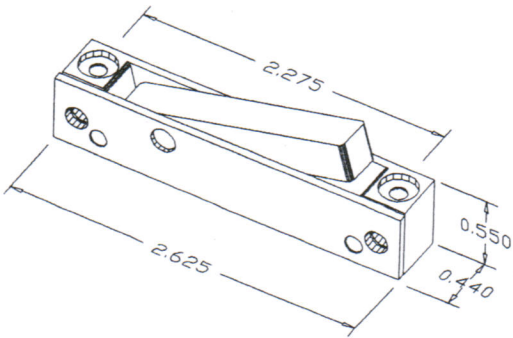


RIGHT

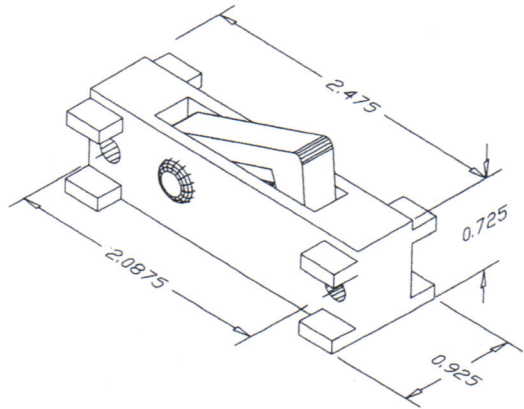


Choose 7/32" or 9/32" keeper insert

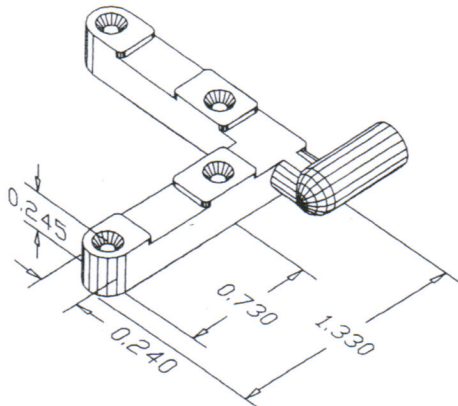
Small SAFETY LOCK MF3052



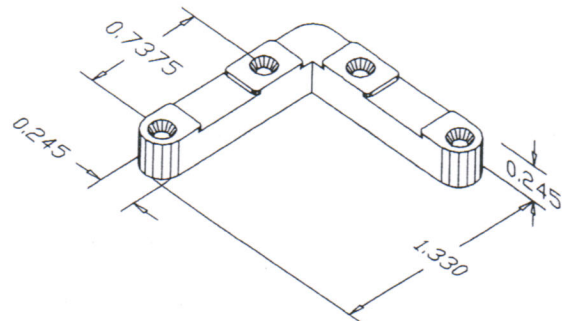
Large SAFETY LOCK MF3053



DC8 SWIVEL CORNER KEY MF3008

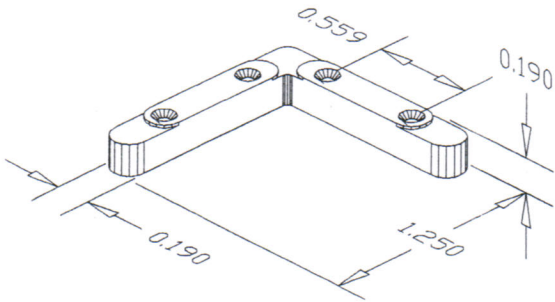


DC9 CORNER KEY MF3009

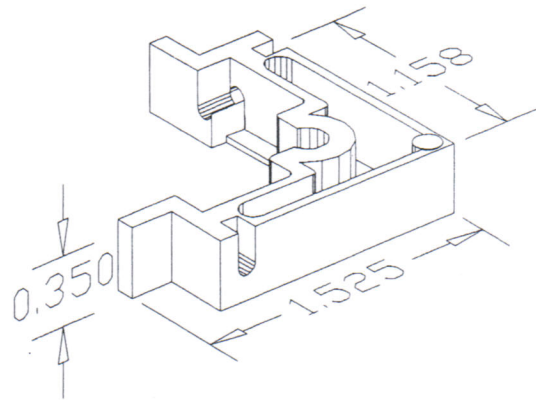


...WINDOW & SCREEN

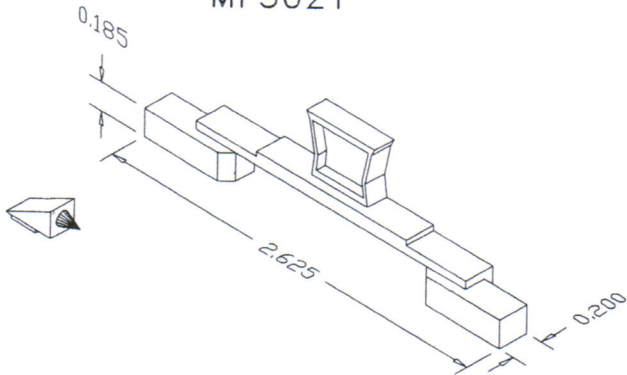
DC12-A SCREEN CORNER MF3020



DC10 FRAME CORNER MF3014

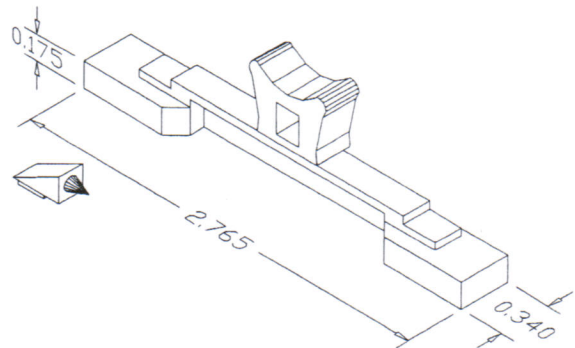


DC13 LATCH BOLT WITH TIPS MF3021



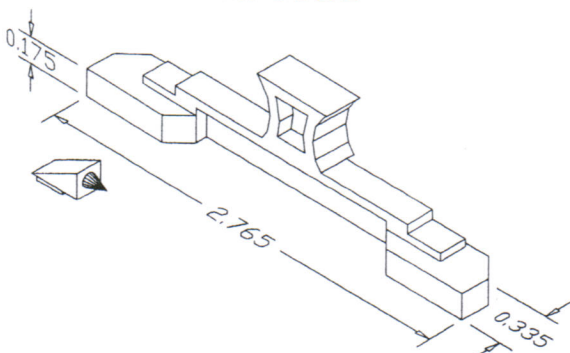
Springs are sold separately

DC14 LATCH BOLT WITH TIPS MF3024



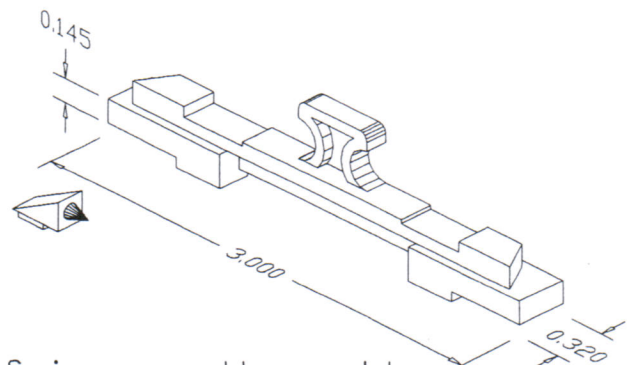
Springs are sold separately

DC14-B LATCH BOLT WITH TIPS MF3022



Springs are sold separately

DC68 LATCH BOLT WITH TIPS MF3080

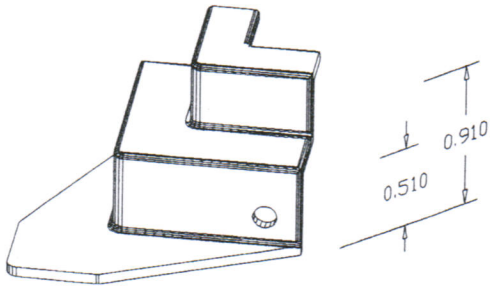


Springs are sold separately

WINDOW & SCREEN...

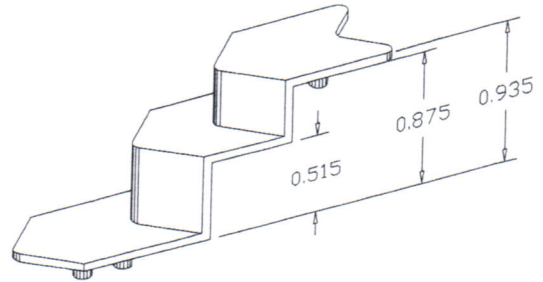
...STORM DOOR

DC67 CORNER CAP MF3030



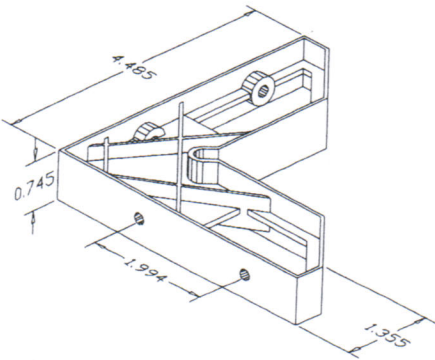
CORNER CAP FINISHING OPTIONS:
Choose Mill or Plated finish

DC95 CORNER CAP MF0036

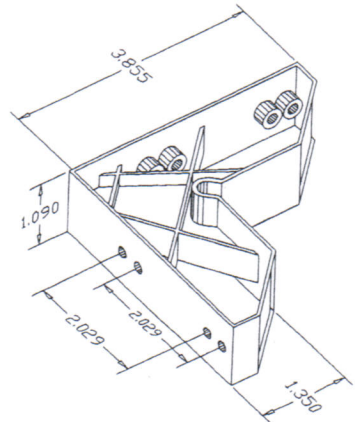


CORNER CAP FINISHING OPTIONS:
Choose Mill or Plated finish

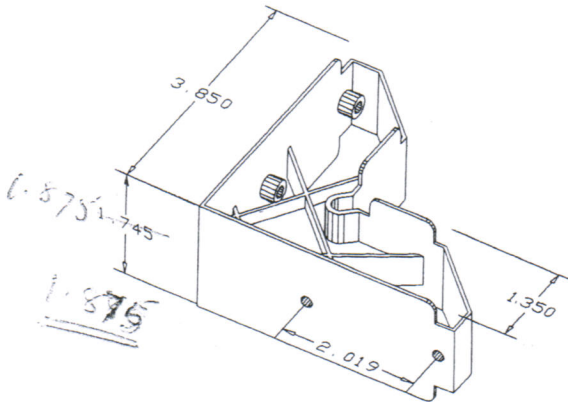
J1-A CORNER 3/4" MF3029



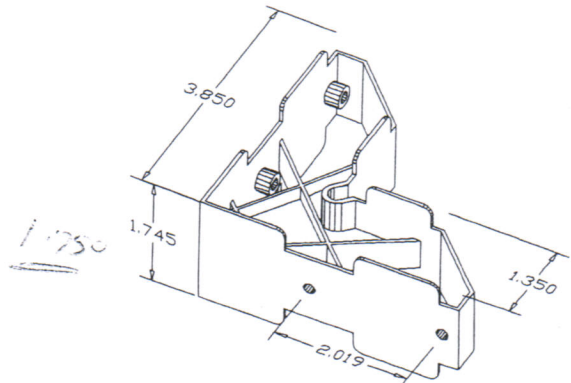
H1-A/B CORNER 1" MF3026



H1-B SPECIAL CORNER 2" MF3027

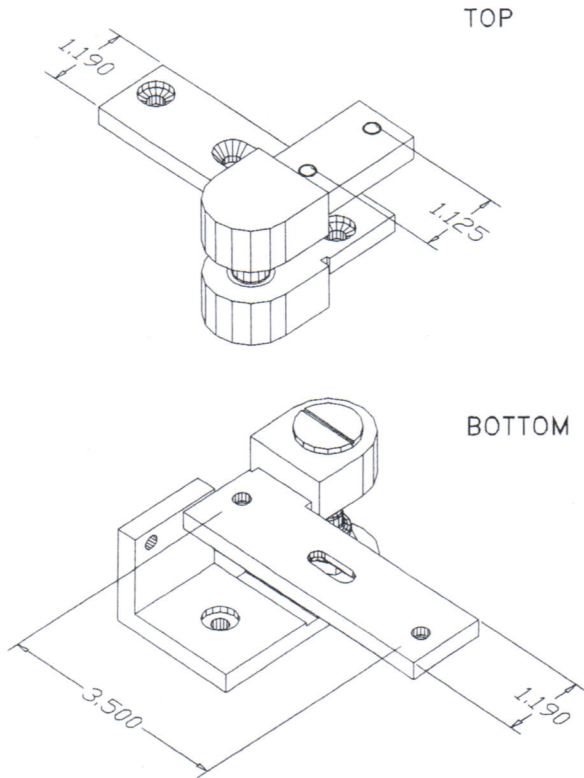


H1-A SPECIAL CORNER MF3028



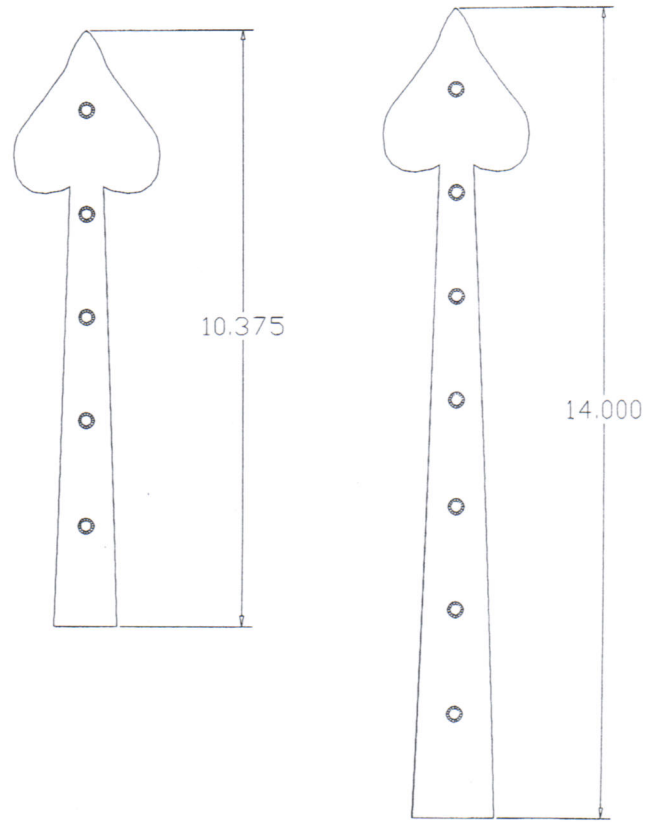
COMMERCIAL DOOR...

OFFSET PIVOT SETS MF3064L/R Ordered in Equal Sets L/R



Right Hand Set shown above
Specify finish: Mill, Anodized, Painted

DECORATIVE DOOR HINGES

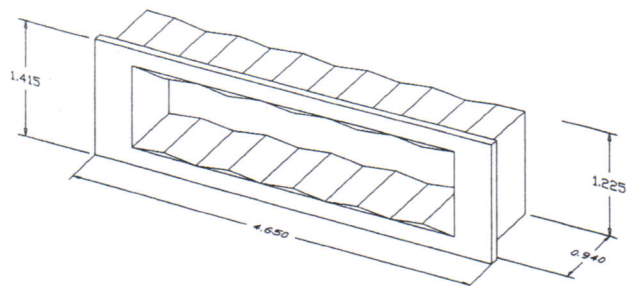


MF3062

MF3063

Thickness of Hinges: 0.375"

FLUSH PULL HANDLE MF3048



RAIL SHOE MF3061

