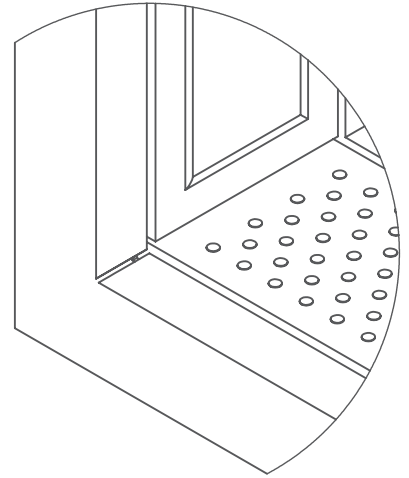


# GROUT-READY NICHE

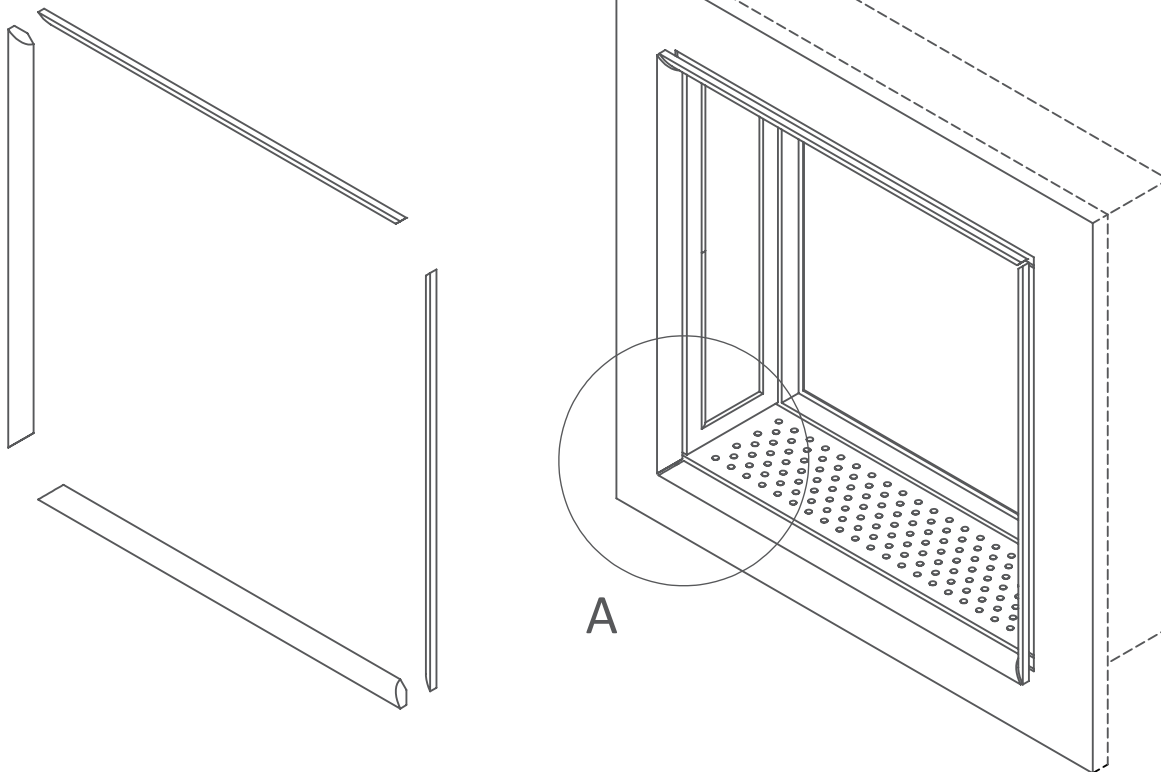
## INSTALLATION INSTRUCTIONS

- INSTALL QUESTECH'S GROUT-READY NICHE FOLLOWING SCHLUTER SYSTEM'S KERDI-BOARD-SN SHOWER NICHE INSTRUCTIONS.
- MITER 1/4 ROUND JOLLYS TO LENGTH, ALLOWING FOR PREFERRED GROUT LINE AT CORNERS.
- INSTALL 1/4 ROUND JOLLYS FLUSH WITH THE EDGE OF THE GROUT-READY NICHE TO PROVIDE A SEAM LESS TRANSITION TO YOUR WALL TILE INSTALLATION.
- APPLY GROUT TO FINISH NICHE AND WALL TILE.



DETAIL A

SCALE 1 : 2



INSTRUCTIONS CONTINUE ON BACK



USE IN WET AREAS  
ANTIMICROBIAL, SCRATCH & STAIN RESISTANT



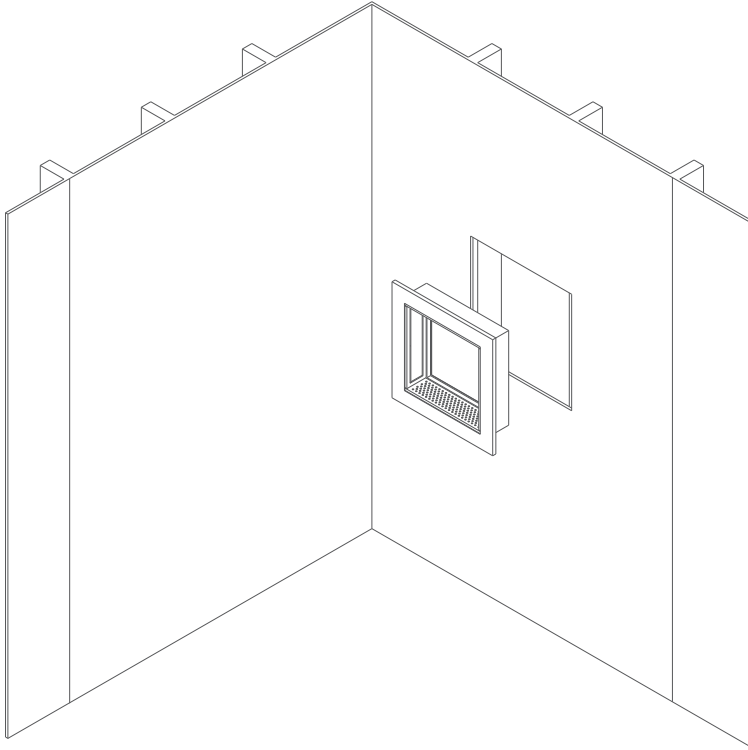
THE FINISHING TOUCH



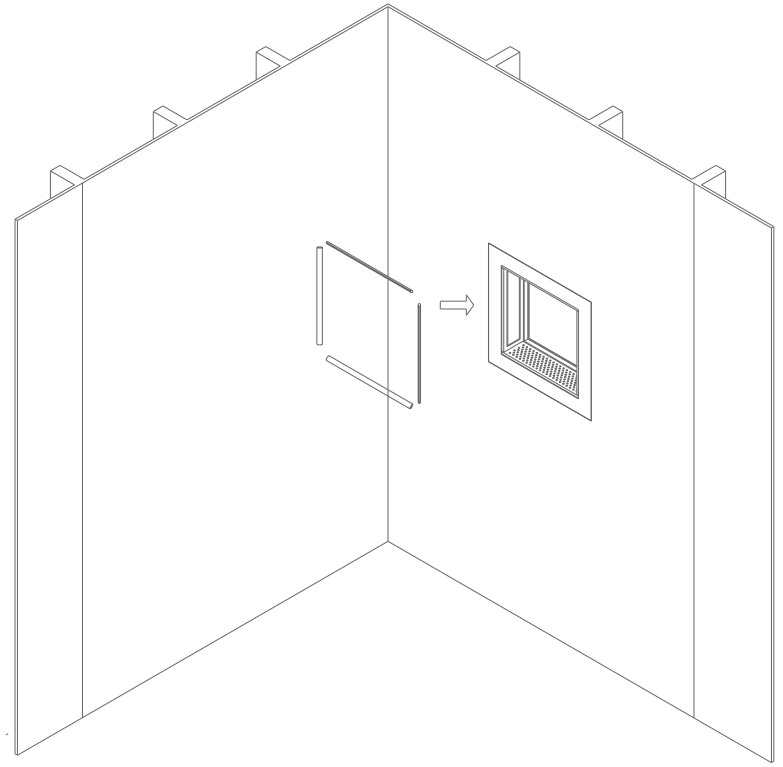
# GROUT-READY NICHE

## INSTALLATION INSTRUCTIONS

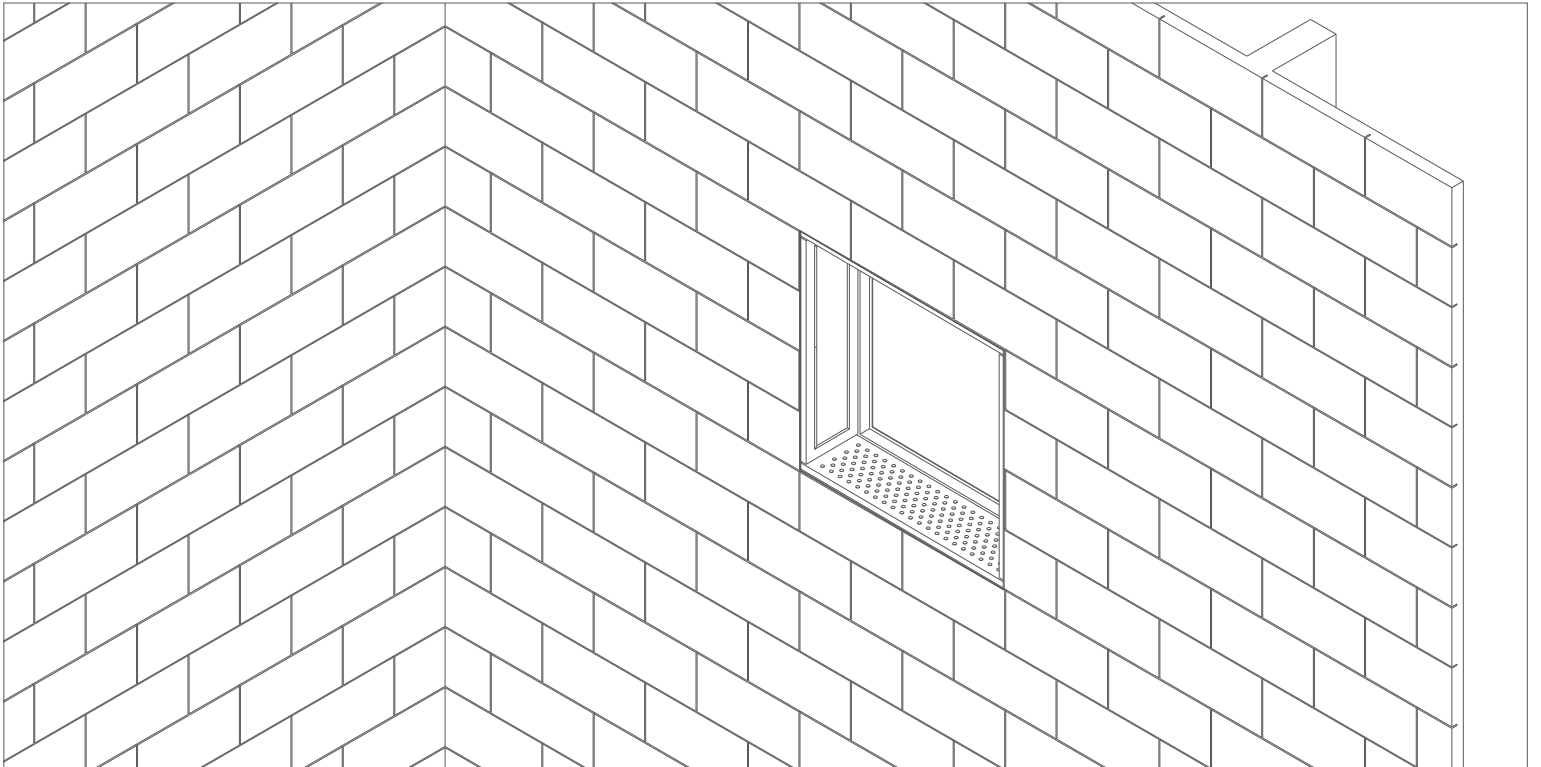
Step 1 | INSTALL NICHE PER SCHLUTER'S INSTRUCTIONS



Step 2 | MITER + ATTACH THE 1/4 ROUND JOLLYS TO FRAME AFTER NICHE INSTALLATION



## INSTALLED GROUT-READY NICHE



USE IN WET AREAS  
ANTIMICROBIAL, SCRATCH & STAIN RESISTANT



THE FINISHING TOUCH

