

RESPONSIVE 

IMPACT

A BETTER FLOOR

*Artisan Edge*  
SPC FLOORING



UNILIN™ CLICK SYSTEM | ROLLED BEVEL

# Artisan Edge

• WATERPROOF • SCUFF & SCRATCH RESISTANT • FADE RESISTANT • STAIN RESISTANT



**SIZE:** 7" x 60"

**THICKNESS:** 6.50 MM

**WEAR LAYER:** 22 MIL | 0.55 MM

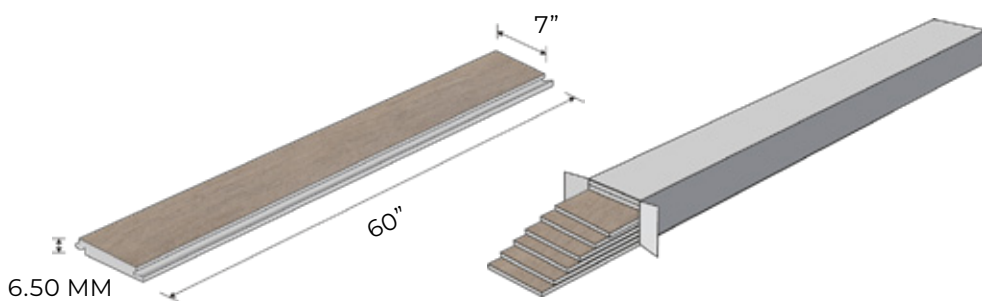
**TEXTURE:** BP EMBOSS

**EDGE FINISH:** ROLLED BEVEL

**PIECES:** 8 PER CARTON

**COVERAGE:** 23.62 SQ FT / 2.19 M<sup>2</sup> / CARTON

**INTERLOCK:** UNILIN™ CLICK SYSTEM



6.50 MM

60"

7"

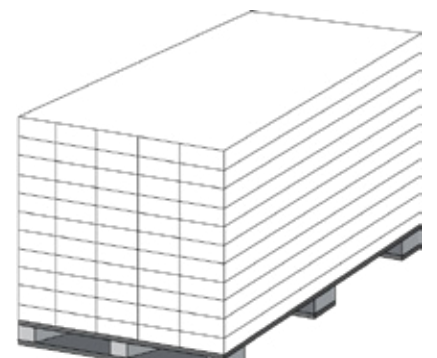
7" x 60" x 6.5 MM

180 mm X 1524 mm x 6.5 MM

8 PCS/CARTON

23.62 SQ.FT/CARTON

51.28 LBS/CARTON



40 CARTONS/PALLET

50.69 LBS/CARTON

2027.6 LBS/PALLET

# Artisan Edge

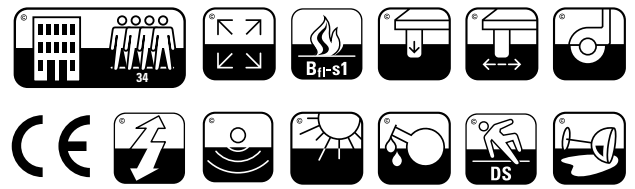
• WATERPROOF • SCUFF & SCRATCH RESISTANT • FADE RESISTANT • STAIN RESISTANT

SPC FLOORING FOR HEAVY COMMERCIAL USE | PUR POLYURETHANE REINFORCEMENT | PRODUCT STANDARD ARTISAN EDGE ASTM F3261

CERTIFICATION & CLASSIFICATION	STANDARD	ARTISAN EDGE
TYPE OF FLOOR COVERING	ASTM F3261   EN 16511	RESILIENT FLOORING IN MODULAR FORMAT WITH RIGID CORE (SPC)
CE CERTIFICATION	EN 14041	YES
CLASSIFICATION	EN ISO 10874	HEAVY TRAFFIC : CLASS 34
TECHNICAL CHARACTERISTICS	STANDARDS	ARTISAN EDGE
TOTAL THICKNESS	EN ISO 24336 (EN 428)	6.50 MM
WEAR LAYER THICKNESS	EN ISO 24340 (EN 429)	22 MIL WL   0.55 MM
SURFACE TREATMENT	UV TREATED	RQ PROTECT
TOTAL WEIGHT	EN ISO 23997 (EN 430)	51.28 LBS/CARTON = 23.26 KG/CARTON 2051 LBS/PALLET = 930.38 KG/PALLET
WEAR LAYER BINDER CONTENT	ISO 10582	TYPE I
FORM OF DELIVERY	EN ISO 24342 ( EN 427 ) PLANKS IN CARTON	7" X 60" = 23.62 SF/CARTON 180 mm X 1524 mm = 2.19 M <sup>2</sup> /CARTON
	PIECES	8 PIECES PER CARTON
	CARTONS	40 CARTONS / PALLET
	EDGE FINISH	ROLLED BEVEL
TECHNICAL PERFORMANCES	STANDARDS	ARTISAN EDGE
DIMENSIONAL STABILITY	EN ISO 23999 ( EN 434)	< 0.10%
REACTION TO FIRE	EN 13501 - 1	BFL- S1
RESIDUAL INDENTATION	EN ISO 24343-1 (EN 433)	PASS
FURNITURE LEG	EN 424	NO DAMAGE
CASTOR CHAIR	EN ISO 4918 (EN 425)	NO DAMAGE
CURL RESULTANT TO HEAT	EN ISO 23999 (434)	< 2MM   PASS
IMPACT SOUND REDUCTION	EN ISO 140-8 EN ISO 717/2	Δ LNW = 21 DB
LIGHT FASTNESS	EN ISO 105 - B02	> GRADE 6
RESISTANCE TO CHEMICALS	EN ISO 26987 (EN423)	GOOD RESISTANCE   PASS
SLIP RESISTANCE	DIN51130   EN 13893	R9   CLASS DS
STATIC LOAD	ASTM F970	PASS



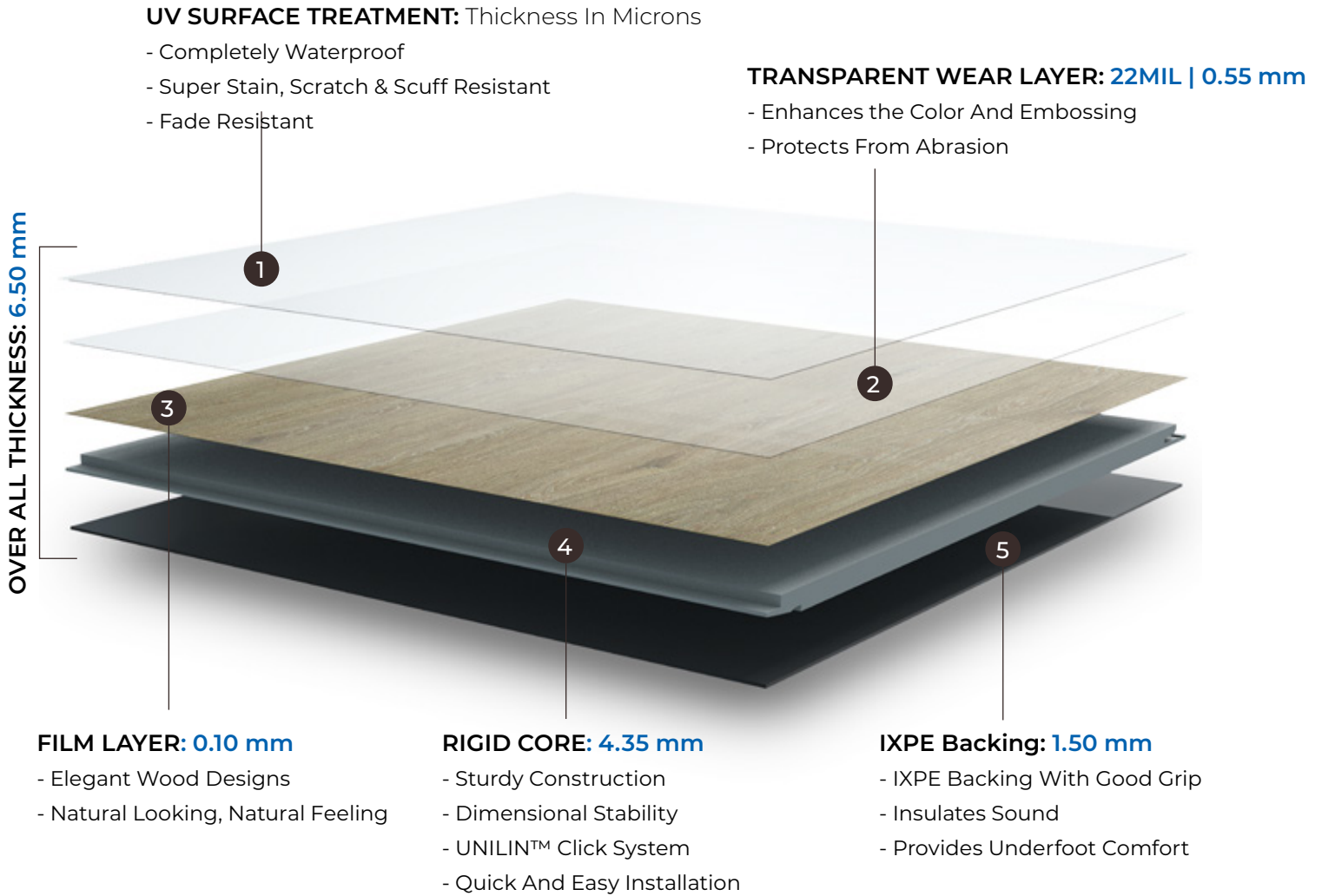
ISO 9001  
ISO 14001  
ISO 18001



EN 14041

# Artisan Edge

• WATERPROOF • SCUFF & SCRATCH RESISTANT • FADE RESISTANT • STAIN RESISTANT



## FEATURES & BENEFITS

## APPLICATIONS

 100% Waterproof	 Click Installation No Adhesive	 Superior Scratch & Stain Resistant	 No Sub-Floor Required	 Easy Clean	 Corporate Offices	 Residential
 Natural Looking Design	 Zero Maintenance	 Superb Dimensional Stability	 Endures Medium Foot Traffic	 Excellent Sound Insulation	 Retail	 Hospitality

---

**AURORA**

ART-101

**RESPONSIVE** 

**IMPACT**  
A BETTER FLOOR

**AURORA**  
ART-101



A B C D E



---

**ORION**  
ART-102

**RESPONSIVE** 

**IMPACT**  
A BETTER FLOOR

# ORION ART-102

RESPONSIVE



A B C D E





---

**SERENE**

ART-103

**RESPONSIVE** 

**IMPACT**  
A BETTER FLOOR

SERENE  
ART-103



A B C D E



---

**SIERRA**  
ART-104

**RESPONSIVE** 

**IMPACT**  
A BETTER FLOOR

**SIERRA**

ART-104

**RESPONSIVE**



A B C D E



---

**CASPIAN**

ART-105

**RESPONSIVE** 

**IMPACT**  
A BETTER FLOOR

CASPIAN  
ART-105

RESPONSIVE



A B C D E



---

**CELESTE**  
ART-106

**RESPONSIVE** 

**IMPACT**  
A BETTER FLOOR

# CELESTE ART-106

RESPONSIVE



A B C D E





---

**MONET**  
ART-107

**RESPONSIVE** 

**IMPACT**  
A BETTER FLOOR

**MONET**  
ART-107

**RESPONSIVE**



A B C D E



---

**ARTEMIS**

ART-108

**RESPONSIVE** 

**IMPACT**  
A BETTER FLOOR

# ARTEMIS

ART-108



A

B

C

D

E

