

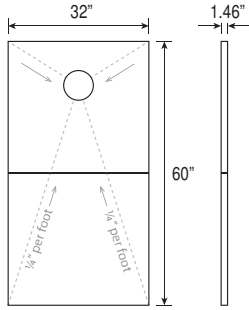
ProBase® II Multi-Slope™

VIEW MORE PRODUCT
DETAILS, VIDEOS, AND
DIAGRAMS ONLINE

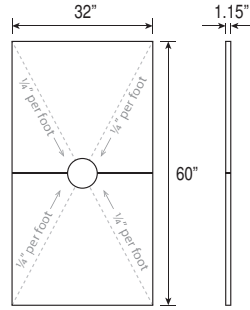


STANDARD SIZES AND THICKNESS *Thickness at drain hole in base is 1/2"*

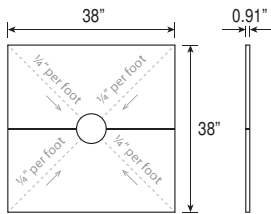
32" x 60" END DRAIN



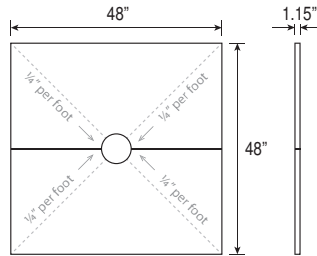
32" x 60" CENTER DRAIN



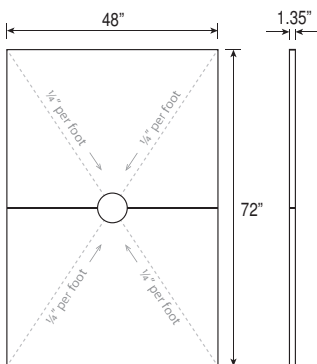
38" x 38" CENTER DRAIN



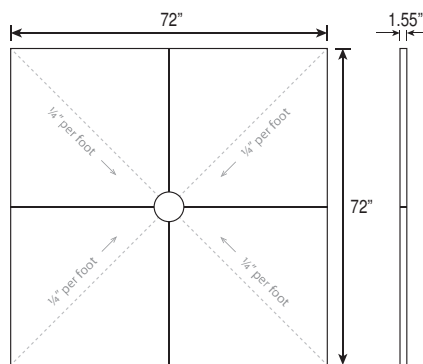
48" x 48" CENTER DRAIN



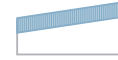
48" x 72" CENTER DRAIN



72" x 72" CENTER DRAIN



BASE MATERIAL OPTIONS



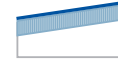
Honeycomb

Compressive Strength:
235 PSI



Foam

Compressive Strength:
46 PSI



Pre-Waterproofed Honeycomb

Compressive Strength:
235 PSI



Pre-Waterproofed Foam

Compressive Strength:
46 PSI

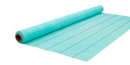
SOLD SEPARATELY



Sloped Base

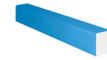
Patent Pending

The multi-sloped design seamlessly integrates with Noble Company's FreeStyle Thin-Bed Drain™.



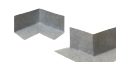
AquaSeal™ Waterproofing Sheet Membrane

Ultra-thin waterproofing membrane designed for bonded applications.



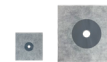
Noble Solid Curbs

Durable, preformed curbs are easy to install.



Noble Thin-Line™ Inside and Outside Corners

A fast and easy way to protect against leaks in corners.



Noble Thin-Line Pipe Collar and Mixing Valve Collar

Convenient, easy-to-use accessories to seal around pipes and valves.



NobleSealant 250

Polymeric sealant for seaming waterproofing sheet membrane to drain body.



FreeStyle Thin-Bed Drain™

Proprietary drain that is designed for use with ProBase II Multi-Slope. Available in 5 strainer finishes.



Simple Solutions... Proven Performance



7300 Enterprise Drive, Spring Lake, MI 49456 · (800) 878-5788
Fax: (231) 799-8850 · www.noblecompany.com
© Registered Trademark of Noble Company
™ Trademark of Noble Company © 2022 Noble Company

File #PB122021-12 | 12/21 | Supersedes #PB032021-03