

Contact our experts
support@raynic.com

Cr1019

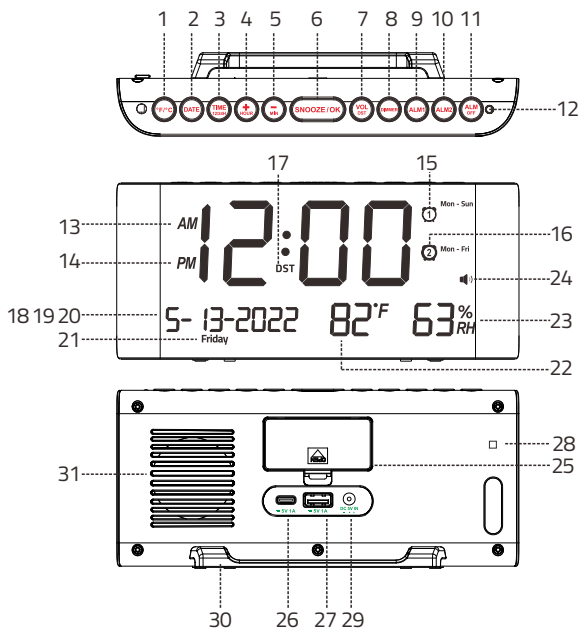
Stylish Calendar Clock with Thermometer
THE BEST CHOICE FOR YOUR HOME

<https://www.raynic.com>



Version 1.0

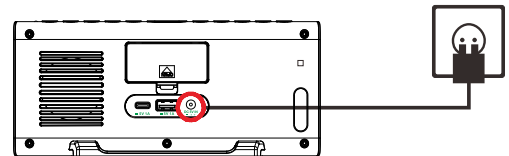
Chapter 1 LOCATION OF CONTROLS



- | | | |
|--------------------------------|--------------------------|-----------------------------------|
| 1. °F/°C | 2. DATE | 3. TIME & 12/24H |
| 4. HOUR & Up | 5. MINUTE & Down | 6. SNOOZE & OK |
| 7. VOL & DST | 8. DIMMER | 9. ALARM 1 |
| 10. ALARM 2 | 11. ALARM OFF | 12. Red Indicator Light |
| 13. AM INDICATOR | 14. PM INDICATOR | 15. ALARM 1 INDICATOR |
| 16. ALARM 2 INDICATOR | 17. DST | 18. MONTH DISPLAY |
| 19. DATE DISPLAY | 20. YEAR DISPLAY | 21. WEEK DISPLAY |
| 22. TEMPERATURE DISPLAY | 23. HUMIDITY DISPLAY | 24. VOLUME DISPLAY |
| 25. BACKUP BATTERY COMPARTMENT | 26. Type-C CHARGING PORT | 28. TEMPERATURE/HUMIDITY INDUCTOR |
| 27. USB CHARGING PORT | 29. DC IN Jack | 30. BRACKET |
| | | 31. SPEAKER |

Chapter 2 POWER SOURCES

1. Install 2pcs 1.5V "AAA" size batteries to the proper terminals in the battery compartment to memorize the time setting and the alarm will ring in case of power outage.
NOTE: Batteries are not included and don't support time display or any other functions
2. Connect the adapter line to DC jack , then plug into a 100~240V AC wall power outlet.



Chapter 3 TIME SETTING

1. Press **TIME 12/24H** button once, display **12:00** starts flashing.
2. Press **+** button to set the hour.
press **-** button to set the minute. Hold press **+** or **-** quickly set the hour or minute.
3. Press **TIME 12/24H** button or **SNOOZE/OK** button to save time or wait for another 10 seconds to confirm automatically.

To change 12H/24H time format

Hold press **TIME 12/24H** button to change 12H/24H time format.

YEAR/MONTH/DAY SETTING

1. Press **DATE** once to maintain **2022** year flashing.
2. Press **+ HOUR** to increase year. Press **- MIN** to reduce year.
Hold press **+ HOUR** or **- MIN** to quickly increase or reduce.
3. When you finish the year adjustment. Press **SNOOZE/OK** to save the setting.
4. When month flashing, repeat steps-2 and Step-3 to set and save the month.
5. When day flashing, repeat step-2 and Step-3 to set and save the day.

Chapter 4 ALARM SETTING

1. Press **ALM1** button, the alarm indicator **1** will light up, the display **6:30** starts flickering.
2. Press **+ HOUR** button to set the hour, press **- MIN** button to set the minute. Hold press **+ HOUR** or **- MIN** to quickly set the hour or minute.
3. Press **ALM1** button or **SNOOZE/OK** button to save alarm time or just wait for another 10 seconds to confirm automatically.
4. When the display "Mon-Sun" flashes. Press **ALM1** button or **SNOOZE/OK** button again to save setting.

Setting ALARM 2 is the same as ALARM 1.

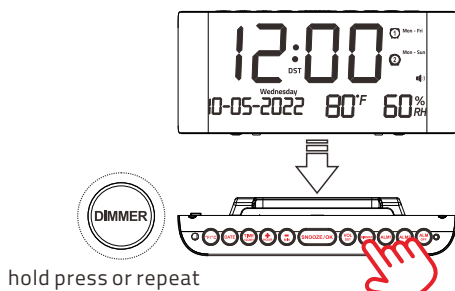
- 03 -

Chapter 5 DIMMER

Repeat **DIMMER** button to adjust the brightness of display for your preference.

There is 5 levels, The sequence is as follows:

05(default)-04-03-02-01-02.....

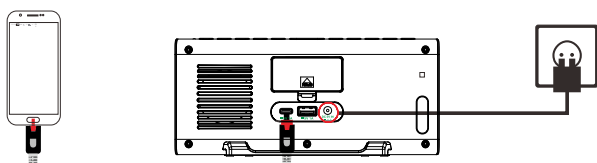


Chapter 6 USB & TYPE-C CHARGING

Plug charging cable into device such as phone or tablet.

Device can charge both your phone or tablet at the same time.

The maximum charge current is 1 Ampere.



- 05 -

Set Alarm Ring Volume

Repeat **VOL DST** button to adjust the alarm ring volume for your preference.

There is 5 levels, The sequence is as follows:

03(default)-04-05-04-03-02-01-02.....

Turn off Alarm

When alarm goes off:

1. Press **SNOOZE/OK** button to temporarily turn off alarm for 9 minutes. Alarm will ring every next 9 minutes.
2. Press **ALM OFF** button to turn off alarm for 24 hours. The alarm indicator **1** or **2** is still on, which means alarm is still activated and will ring after 24 hours.

Cancel Alarm

1. Hold press **ALM OFF** button to turn off alarm1 and alarm 2 permanently. And corresponding indicator **1** and **2** will turn off.
2. Hold press **ALM1** button, just turn off alarm 1 permanently. **1** indicator will turn off.
3. Hold press **ALM2** button, just turn off alarm 2 permanently. **2** indicator will turn off.
4. If alarm 1 goes off, then hold press **ALM OFF** or **ALM1**, just turn off alarm1 permanently. **1** indicator will turn off.
5. If alarm 2 goes off, then hold press **ALM OFF** or **ALM2**, just turn off alarm 2 permanently. **2** indicator will turn off.

- 04 -

Chapter 7 DST

Hold press **VOL DST** button to switch DST function. DST indicator will turn on.

Hold press **VOL DST** button again to turn off DST function. DST indicator will turn off.

Chapter 8 RED INDICATOR LIGHT

When the alarm goes off, the Red Indicator Light will flash.

Chapter 9 TEMPERATURE

TEMPERATURE FORMAT SWITCH

Displays in Fahrenheit by default. If you want to switch Fahrenheit / Celsius. Just press **°F/°C** button.

IMPORTANT REMINDER

1. It may take 1 minute for the temperature sensor to complete the initialization.
2. Accuracy of thermometer is 1 degree Celsius.
3. There might be 1-3 degrees Celsius deviation within normal limits due to unstable air flow and room heating.

Chapter 10 HUMIDITY

The measurement range of humidity is 0-99%RH, and accuracy deviation of humidity is 2%RH.

- 06 -