



Vacuumator™ pumps are the most compact efficient and reliable vacuum generators available for vacuum sanitary systems. The pump creates vacuum, macerates sewage and discharges in one single pass operation.

Features:

- Highly efficient in transporting wastewater
- Small footprint and low weight allows for quick and flexible installation
- In line installation - direct discharge to sewer, STP (Sewage Treatment Plant) or collecting tank
- Multiphase design - pumps any combination of air, black and grey water
- Low energy consumption
- High quality – low lifecycle cost

Technical Data



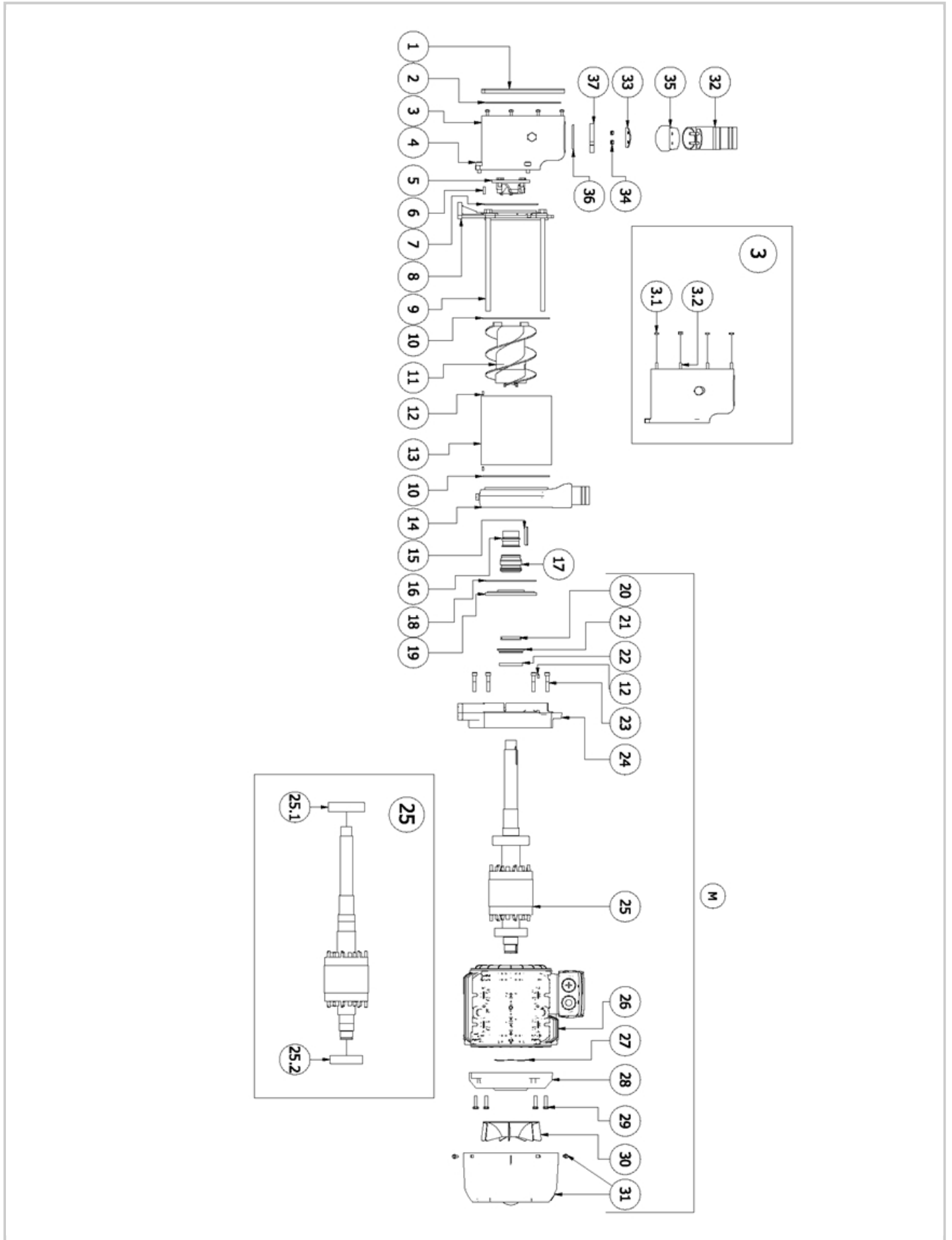
Pump Type.....	Multiphase
Capacity.....	62 m³/h ACMH at 500 mbar abs. (50% vacuum) 50 Hz 81 m³/h ACMH at 500 mbar abs. (50% vacuum) 60 Hz
Back Pressure.....	Max. 0.3 bar
Outside Dimensions.....	813 x 262 x 362 mm (LxWxH)
Connection Inlet.....	Ø 60 mm
Connection Outlet.....	Ø 50 mm
Protection Class.....	IP 55
Insulation Class.....	155(F) to 130(B)
Duty.....	S1-100%
Ambient Temperature Range.....	+0 °C - 50 °C
Humidity.....	Class F / 95%
Net Weight.....	91.00 kg

Operating Data

Frequency.....	50 // 60 Hz
Voltage.....	Y380-420/Δ220-240 // Y440-480 V
Nominal Current.....	10.5/18.3 // 10.2 A
Speed.....	CCW 2950 // 3550 rpm
Power Output.....	5.5 // 6.3 kW
Power Factor.....	0.87 // 0.88 cos φ
Efficiency.....	87 // 88.5%
Heat Dissipation.....	Approx. 0.9 kW

Disclaimer

Note: Our products and services are offered and sold subject to Jets Vacuum AS' General Sales Conditions, copies of which will be furnished upon request. Information provided herein is solely for information purposes, does not constitute any warranty or representation of any kind and is subject to change without notice. We strive to reproduce product colors reasonably accurate. Without prior written approval, this document or any part of may not be reproduced in any form. Jets™, Vacuumator™, Helivac™, VC™, VOD™, CVS™ and Softsound™ are trademarks and/or registered trademarks of Jets. © Jets AS. All rights reserved.



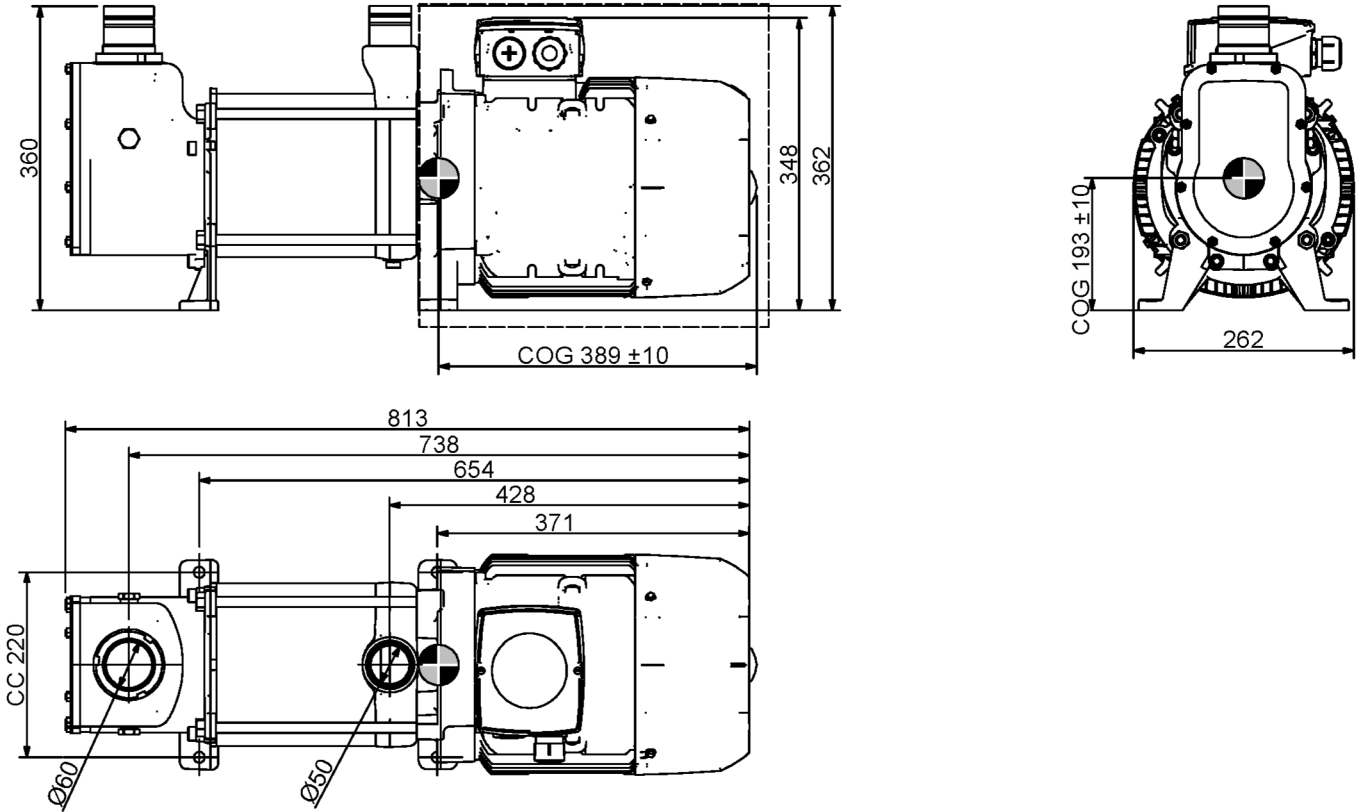
Components

		M	
1	Cover	023280050*	Motor
2	O-ring	037219260*	■ 50 // 60 Hz ■ Y380-420/Δ220-240 // Y440-480 V
3	Suction Chamber, Complete	023280041*	Flange w/connecting pipe DN65
4	Screw, M10x20	036207621*	Compensator, ø60mm w/Hose Clip
5	Macerator	02E095054*	Flange w/connecting pipe DN50
6	Split Sleeve, ø5x20mm	020207800*	Compensator, ø50mm w/Hose Clip
7	O-ring	037219220*	Macerator Alignment Tool 95/140/ML/XL
8	End Flange	02E095056*	Service Jig
9	Bolt, M12x270	036202013*	<i>* Component/s available as replacement parts.</i>
10	O-ring	037219261*	
11	Rotor	02E095057*	
12	Split Sleeve, ø4x10mm	020207801*	
13	Rotor Housing	02E095058*	
14	Pressure Chamber, Complete	02E095063*	
15	Key	02A265113*	
16	Spacer Sleeve	02E095060*	
17	Shaft Seal ø40mm	038201556*	
18	O-ring	037219270*	
19	Flange for Shaft Seal	02A265108*	
20	V-ring	038399550*	
21	Drip Flange	031226230*	
22	Sealing Ring	037224201*	
23	Screw, M8x45	036503412*	
24	Motorflange	031226226*	
25	Shaft with Rotor and Ball Bearing	02E095064*	
26	Stator	031000302*	
	■ 50 // 60 Hz ■ Y380-420/Δ220-240 // Y440-480 V		
27	Spacer Sleeve	031226900*	
28	End Cover	031226222*	
29	Screw, M8x30	036312704*	
30	Fan	031226223*	
31	Fan Cover w/Screws	031226224*	
32	Flap valve	02E095062*	
33	Plate for flap valve	023280091*	
34	Lock nut, M6	036232920*	
35	Rubber Flap	037302100*	
36	O-ring	037219280*	
37	Nut for flap valve	02E095051*	

Additional Components

3.1	Nut, M6	036901200
3.2	Setscrew M6x25	036202401
25.1	Ball Bearing	038223800
25.2	Ball Bearing	038226000

Dimension Drawings



Measurements given in mm.