



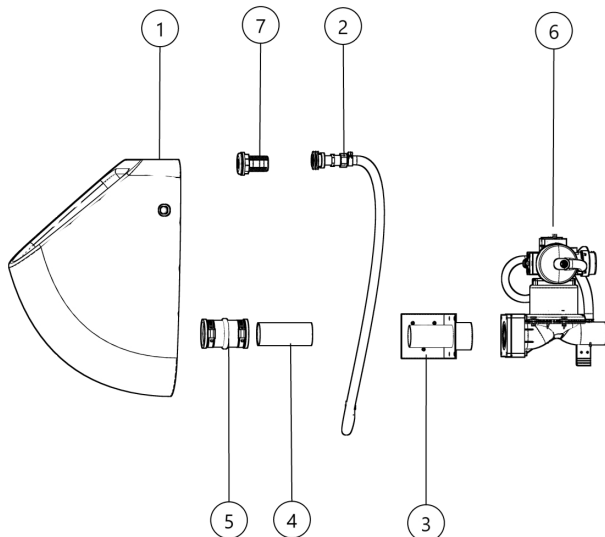
With a focus on simple and elegant design, the urinals contemporary look compliments any installation.

Warranty

All products of the company are sold and all services of the company are offered subject to Jets Vacuum AS General Sales Conditions detailing warranty and terms and conditions of sale, copies of which will be furnished upon request. The information provided herein is for guidance only; it does not constitute a guarantee of the performance or specification of any individual product or component.

Disclaimer

Product color reproduction is as near to actual color as product methods allow. All rights reserved. Information is subject to change without notice. No part of this document may be reproduced in any form by any means without prior written approval.



Technical Data

Outside Dimensions.....	340 x 340 x 570 mm (LxWxH)
Weight.....	Approx. 16 kg
General Tolerance.....	Bowl dimensions ±2%
Discharge Valve Outlet.....	Outside diameter Ø 50 mm
Water Connection.....	½" male BSP
Generic Material.....	Porcelain

Operating Data

Flushing Time.....	5 seconds
Discharge Time.....	2 seconds
Water Pressure.....	2-7 bar
Operating Vacuum.....	Recommended 30-55 % Vacuum
Air Consumption.....	Approx. 48 liters at 50% Vacuum
Water Consumption.....	1L (3 bar)
Temperature Range.....	Minimum 1°C to to Maximum 60°C (unless frost protection measures are taken)

Note:.....Values may vary depending on selected components

Patents and Trademarks

Jets™, Vacuumator™, Helivac™, VC™, VOD™, CVS™ and Softsound™ are trademarks and/or registered trademarks of Jets. © Copyright 2011, Jets AS.

Components

1 Urinal Bowl 70	070702101*
2 Flushing Nozzle Kit	070700201*
3 Bracket	010100621*
4 Pipe, ø50x100mm	034399222*
5 Rubber Sleeve, ø50 w/Hose Clip	034505550*
6 Valve	See selected product
7 Release Mechanism	See selected product

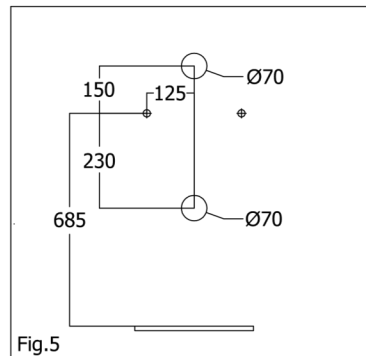
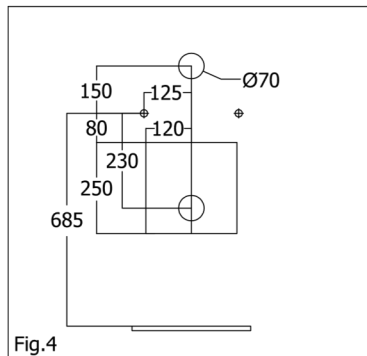
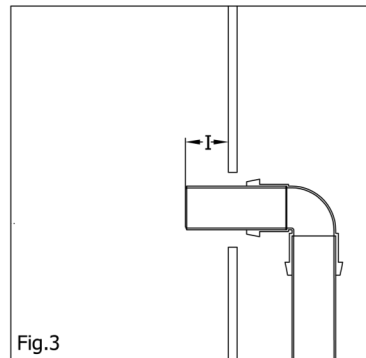
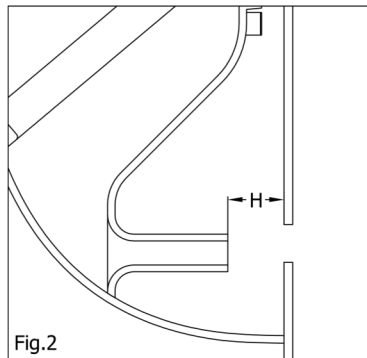
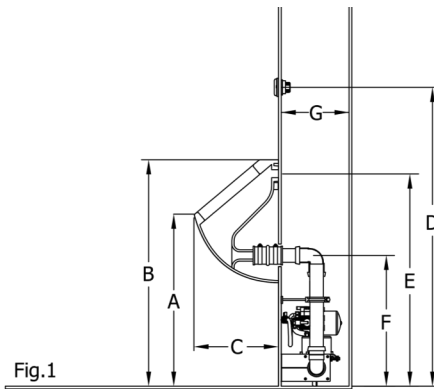
* Component/s available as replacement parts.

Accessories

Construction Characteristics

Rubber Elbow, ø50 w/Hose Clip.....	034505450
Rubber Sleeve, ø50 w/Hose Clip.....	034505550
Rubber Elbow, ø50/ø60 w/Hose Clip.....	034512802
Rubber Sleeve, ø50/ø60 w/Hose Clip.....	034512902
Rag Hook, 15mm w/support.....	034102902
Rag Hook, 25mm w/support.....	034102904
Flex. hose, 700mm.....	034513350
Hose Clip 50-70mm.....	034506900
Pipe Packet.....	034399310

Dimension Drawings



A.....	650mm	E.....	835mm
B.....	895mm	F.....	455mm
C.....	340mm	G.....	310mm
D.....	Recommended 1100mm	H.....	60mm
		I.....	50mm

Fig. 4 Full cutout to access the valve.
If access from the rear is not available, service and maintenance is to be performed by removing the urinal from the wall.

Fig. 5 Minimum wall cutout for the flushing nozzle and the pipe outlet.
This cutout can be used if access from the rear is available to reach the valve (i.e. a service hatch, cabinet or utilities room).

Important Health and Safety Information

Installation, operation and maintenance must be carried out in strict accordance with this guide and with all applicable regulations. For your own protection and the protection of others, it is necessary to familiarize yourself with, and always follow, the contained safety and environmental precautions for our products.

This manual is an integral part of the product/delivery. Always keep it in a safe place for future reference. It is entirely the owner's responsibility to ensure that all safety and environmental measures, in accordance with local, state and federal laws are followed. Jets Vacuum AS assumes no responsibility for equipment damage, personal injury or death and/or delays that result from a lack of respect for the instructions for installation and/or use as stated in this documentation. Disregarding these instructions may invalidate all warranties.

Safety information references are in accordance with Jets Vacuum AS documentation system. If you do not understand the warnings, stop work immediately and contact Jets Vacuum AS (citing the safety reference number) for further clarification.

For further information about the included warnings or any other safety concerns please contact Jets Vacuum AS.

Safety Warning Symbols

General information to all users.

Symbol denotes required personal protective equipment is required.

CAUTION: Indicates a potentially hazardous situation which, if not avoided, may result in minor or moderate injury or equipment damage.

Symbol denotes required personal protective equipment is required.

DANGER: Indicates an imminently hazardous situation which, if not avoided, will result in death or serious injury or equipment damage.

Important Health and Safety Warnings

1.1 Warning
Jets Vacuum AS recommend qualified person(s) in accordance with all applicable codes and standards to carry out all installation work, electrical wiring, plumbing and operate this product. Equipment damage, injury to personnel or death could result from improper installation/use.

1.3 Warning
Failure to properly lift and support equipment can result in serious physical injury and/or equipment damage. Lift equipment only at specifically identified lifting points or as instructed in the current IOM. Note: Lifting devices (eyebolts, slings, spreaders, etc.) must be rated, selected, and used for the entire load being lifted.

1.5 Personal Protective Equipment - Goggles
Wear safety glasses with side shields at all times when working with equipment.

1.7 Warning
Keep other persons at a safe distance from work area.

2.14 Warning
The equipment safety is guaranteed only if used in compliance with the instructions provided. Do not exceed the limits provided.

1.2 Warning
Be thoroughly familiar with the controls and the proper use of the equipment prior to installing, starting or using the equipment. Know the equipment application, limitations and potential hazards.

1.4 Caution
Safety equipment (PPE) necessary for the prevention of accidents at the installation and operating site must be provided in accordance with local regulations.

1.6 Warning
Keep work area clean, uncluttered and ensure adequate lighting.

1.9 Personal Protective Equipment - Gloves
Wear suitable protective gloves at all times when working with equipment.

12.5 Notice
Use this equipment only in the manner intended by Jets Vacuum AS. If you have questions after reading these instructions contact Jets Vacuum AS directly.

Delivery, Receipt of Goods and Transportation

Goods to be protected against shock, dust, humidity and frost. Suitable adequately dimensioned transporting equipment is to be used. Note that the equipment may contain components that are easily damaged as a result of inappropriate handling. Jets Vacuum AS is not responsible for or liable for delivery delays resulting from occurrences outside of Jets Vacuum AS' immediate control. On receipt of goods, check for visual damage. Any damage detected after dispatch should be reported immediately to Jets Vacuum AS. Damages and/or discrepancies must be reported in writing no later than eight (8) days after receipt of goods. Commissioning must be postponed until the equipment has been inspected. Do not dispose of damaged items. Your direct supplier will advise you of the procedure to follow.

Storage

Unless otherwise specified, goods are to be stored in a dry environment between -30°C and +40°C prior to installation. The storage location must be dust free, low humidity (≤95%) and be free from moisture. Keep clear of foreign objects.

Installation to End Use

Site to be a dry environment between +0°C and +45°C. Use in environments below 0°C requires use of antifreeze in liquids. The site location is to be low vibration Vrms <0.2 mm/s) with vibration resistance to acceleration up to 0.7g. The site is to be dust free and protected from grinding and welding. During installation, the site is to be protected from water, frost, moisture and humidity. Goods are to be stored as per the instructions for delivery, storage and transport. A visual inspection is to be carried out on receipt of goods as well as at the time of installation to ensure that storage and transport conditions after receipt have not compromised the quality of the product/s.

Pre-Installation

Standards and Regulations

To install a Jets™ product, it is first required that the room be prepared according to all local, state and federal standards and requirements. Industry specific standards must also be met. Considerations that must be made include but are not limited to:

- Appropriate dimensioned drain pipes.
- Water barrier or membrane.

Installations required to meet AS/NZS 3500 series of Standards must adhere to the following:
(Ref: Australian and New Zealand Standards: AS/NZS 3500 - AS3500 Part 2 Sanitary Plumbing and Drainage)

- Discharge by a vacuum sanitary system shall be regarded as "pumped discharge" and shall be pumped according to AS/NZS3500 "Pumped Discharge" requirements.
- Installation of the vacuum sanitary system shall be according to the requirements of AS/NZ 3500.2 Sanitary Plumbing and Drainage.

Tools and Training

No special tools other than those used in standard plumbing installations are required. No special training is required to install this product.

Water Barrier

Note that in some countries, and as per the majority of standards and regulations, it is prohibited to mount urinals directly onto the wall if mounting requires the water barrier to be compromised. Check requirements according to local codes and standards before beginning any installation work.

Pre-Installation Considerations

It is recommended that items such as wall mounted release buttons, drainage piping, etc. is installed prior to installation of the urinal.

Adequate support framing/structural support is required to mount this urinal. The wall, or whatever material the fastening kit will be attached to, must be of sufficient strength to fully support the urinal.

Connection with Mains Water

The urinal valve connection is a 1/2" BSP standard connection. The water pressure must be a minimum of 2 bar and must not exceed 7 bar.

Connection without Mains Water

The urinal valve may be connected to a local water supply such as a container, tank or can. A water pump must be used. Refer to the individual product data sheet for further instructions regarding connections.

Backflow Prevention

Backflow Prevention

Please refer to local, state, federal and/or international regulations regarding the extent of backflow requirements for your specific installation.

For installations whereby the valve is to be connected to a drinking water supply, it is recommended that the water connection is installed with a backflow prevention device. Please refer to the local regulations in your area. If backflow prevention is required in Australia, refer to AS/NZ3500.1 Backflow Prevention.

Pre-Installation Wall Preparation

The urinal is a wall mounted model which can be installed in locations where:

- a service hatch, cabinet or utilities room is available.
- the urinal bowl is to be removed from the wall for service.

For retrofit installations, contact your local supplier or Jets Vacuum AS for further information.

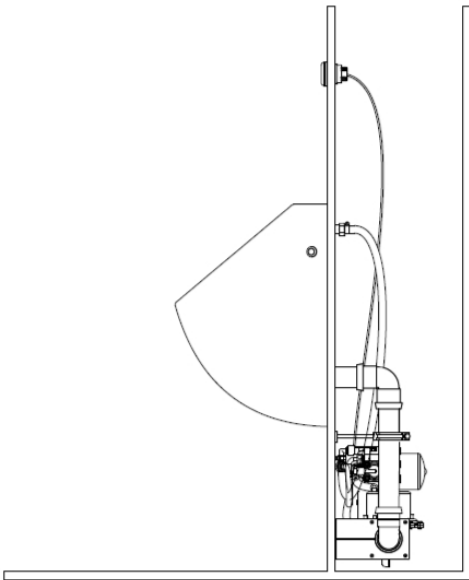
Urinal Connections

Installation may vary depending on plumbing arrangements.

General Installation Information

To avoid leakage between the valve and the urinal, it is important that the pipe installation is properly clamped and aligned. Water hoses must be secured with hose clips.

Maintenance Access and Valve Placement



Access:

You will need to have the ability to access the valve. To access the valve you need to either have a cutout behind the urinal, a maintenance cabinet behind the installation or an access hatch.

If a cutout is made, an access hatch is not required as access is gained by removing the urinal from the wall.

If you choose to have an access hatch, the hatch should be a minimum of 250mm x 240mm in length/width.

Valve Placement:

It is recommended that valve placement be adjusted according to the access available. The exact placement of the valve is flexible and depends on pipe configuration and bracket placement.

Pipe installations must be clamped to prevent movement.

Installation

General Disclaimer

Drawings provided in the following examples are for illustration purposes only. Product details may vary from your individual purchase.

Installation Instructions

Urinal installation requires the following procedures to be carried out. For more specific technical details, refer to the individual data sheet. For further information on any of the instructions supplied, any questions regarding installation or the products, please contact your local supplier or Jets™ Service Department.

1

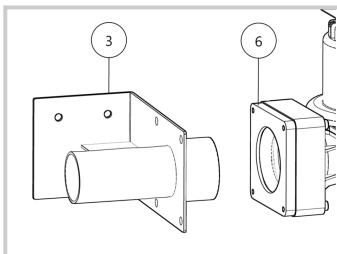
Prepare the Wall Mounting

Prepare the wall mounting as per the instructions above.

2

Install the Fixing Set for the Urinal

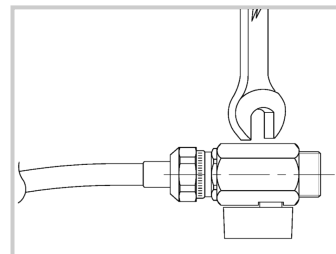
Refer to the installation information provided with the urinal bowl to install the fixing set to the wall.



3

Mount the bracket ③ to the wall, within the cavity, using 3 screws (not included in delivery).

Connect the valve ⑥ to the bracket.



4

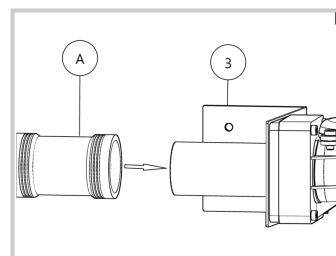
Connect the ball valve from the valve to the water main.

Note: Do not over tighten.

5

Connect the release button to the valve.

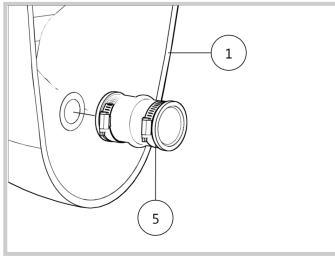
For connections information, refer to the installation description provided in the release button's technical data sheet.



6

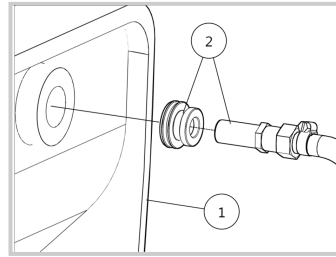
Connect and secure the piping (A) between the bracket ③ and the urinal bowl.

Jets™ can supply a pipe packet for this purpose.



7

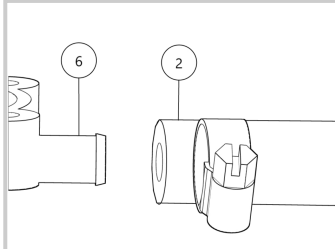
Connect and secure the rubber sleeve with hose clip (5) to the urinal bowl (1).



8

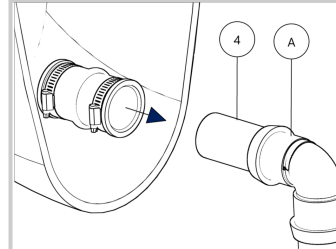
Connect the flushing nozzle kit (2) to the back of the urinal bowl (1).

Refer to the assembly description provided in the flushing nozzle kit's technical data sheet.



9

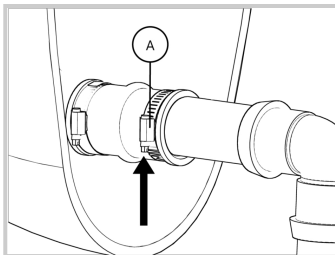
Move the urinal close to the wall and connect the hose (2) from the urinal's flushing nozzle to the valve (6) and secure with a hose clip.



10

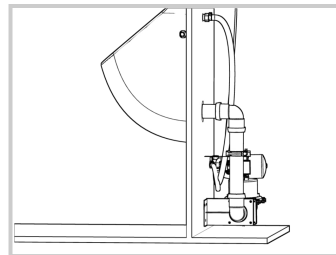
Connect the pipe piece (4) to the piping (A) and then connect to the urinal bowl.

Hang and secure the urinal to the fixing set.



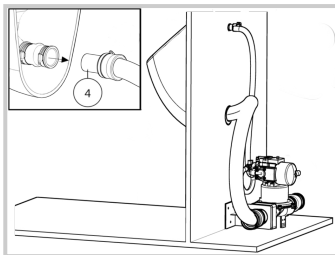
11

Ensure the screws (A) face down to allow for the possibility to tighten or loosen. You can access the screws from the hole beneath the urinal bowl.



12

Installation with piping completed.



13

A flexible hose can be used as an option to piping between the urinal and valve.

Installation with a flexible hose completed.



14

Function Check to be Completed Prior to Use

1. Clean the bowl.
2. Ensure all pipe connections between the outlet pipe, the valve and the urinal have been secured.
3. Check that the water supply is connected and water pressure is adequate.
4. Turn on the water supply.
5. Press the release button to activate the valve.
6. Check that sufficient vacuum is created when activating the release button to adequately flush the bowl.
7. Check that water is dispersed on the bowl surface by the flushing mechanism.
8. Check that there are no water or air leaks.

Service and Maintenance

Out of Use

The following procedures are to be followed if a urinal is to be out of use over a longer period of time (i.e for cabins and recreational houses).

1. Close the water supply to the urinal.
2. Activate the release button to run a flush cycle, emptying the urinal of water.
3. **CAUTION:** This urinal is not intended for use in temperatures below freezing without appropriate antifreeze measures being taken. For locations where freezing may occur, certain protection measures must be taken. For further information contact Jets Vacuum AS or your nearest supplier for a copy of technical information regarding freezing protection measures.
4. **CAUTION:** Never use automotive antifreeze (ethylene glycol) in the urinal system.
5. Turn off the power.

NOTE: Failure to adequately protect the urinal system from damages may result in void of your warranty coverage.

NOTE: Jets Vacuum AS reserves the right to deny any warranty claim submitted if the claim is caused by freezing damage.

Cleaning Instructions

1. Mild soap or biological cleaners are recommended for cleaning the urinal. See Jets Vacuum AS product range for suitable cleaning solutions.
2. Do not use cleaners that create foam.
3. The urinal is to be cleaned regularly to maintain hygiene.
4. Do not use drain cleaner, bleach or other caustic cleaners. These types of cleaners can damage components in the urinal system.
5. For mineral scale buildup, we recommend use of Jets Vacuum AS biological descale products. Contact your Jets Vacuum AS supplier for information.

Spare Parts and Accessories

Available spare parts are indicated in the component list for the urinal. Spare parts and accessories can be ordered via your local Jets Vacuum AS supplier. For multi-urinal installations, a complete recommendation for spare parts is available. Contact your Jets Vacuum AS supplier for details.

Service and Maintenance

Jets Vacuum AS provides all customers with 24 hour worldwide technical assistance. For urgent matters please contact Jets Vacuum AS service department directly at +47 70039100. For other matters, please contact your nearest Jets Vacuum AS supplier.

1. Disassembly of the urinal must be carried out by a licensed professional.
2. All local, state and federal regulations regarding water barriers and plumbing must be adhered to.
3. Disassembly of components may void the warranty.
4. Refer to the technical data sheets for specific product information. Refer to the products troubleshooting information for general maintenance.
5. It is recommended that service and maintenance routines be carried out in accordance with the information in this document.

When making enquiries, please have the following information available.

1. Urinal model number.
2. For valve enquiries: Valve serial number (the serial number identification is located on the label applied to the valve).
3. Part number, description, quantity (see the product component list for details).

Locating a Water Leak

Make a practice of regularly checking around the urinal, piping and pump for any signs of a water leak. Check for wetness, mold or foul smells, as that might indicate a leak.

If you suspect a leak anywhere in your plumbing system, call in a professional to make a repair as soon as possible.

Scheduled Maintenance

Interval	Action	Note
Regularly - dependent on frequency of use.	Clean the urinal.	Clean the urinal as per instructions provided in the products technical information.
As required.	Check for damage to equipment. Replace or repair damaged equipment and take measures to prevent future damage to the system.	Note that frost or freezing may damage sanitary systems if precautions have not been taken. Contact your nearest Jets™ supplier for information on Jets™ range of frost protection products for installations in cold climate locations.

Troubleshooting

Jets Vacuum AS provides the following troubleshooting information to assist in resolving issues that may arise with your installation. For more detailed information or assistance, please contact Jets Vacuum AS.

Problem	Cause	Action
The urinal bowl is slow to empty.	The pump or pipes are blocked.	Check for foreign objects and remove the blockage.
	Build up of urine scale in the pipes and/or pump.	Check for mineral scale build-up and descale the affected areas. See Jets™ selection of cleaning products for this purpose.

The content in the urinal will not discharge.

Loss of vacuum in the urinal or piping system.

Check the vacuum level to ensure that it is adequate.

Check the pipes and any connected equipment including the valve, pump etc. for foreign objects. Remove any blockages in the system.

Check that there is no damage to the piping system.