



(Note: example image - delivery may vary per product selection)

Jets™ Vacuum Unit is designed as a complete solution for vacuum evacuation of waste water in a sanitary system.

- The lightweight Vacuumator™ Pump effectively creates vacuum and macerates waste water to a fine pulp.
- Compact multiphase pump design with a small footprint.
- The principle of operation is vacuum on demand (VOD™) and flexi system.
- The flexi system is used for up to four toilets or grey water tanks. Available for both pressurized water (main supply or pressurized water pump) and water from a can.

Technical Data



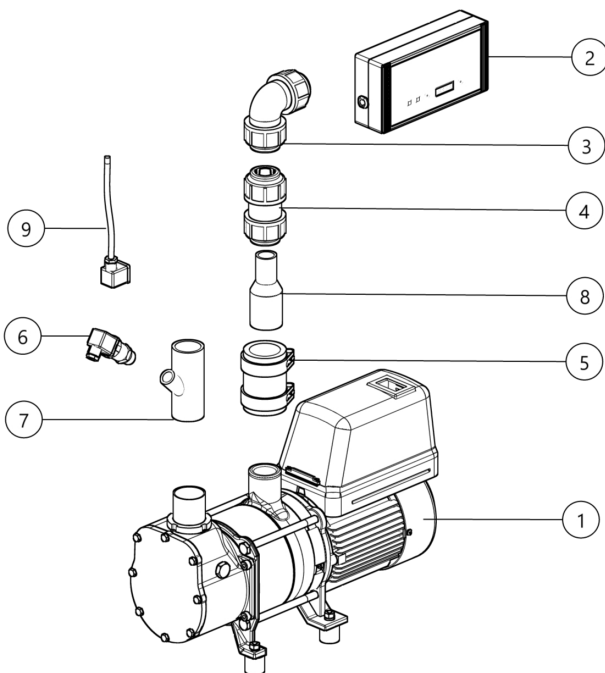
| | |
|------------------------|---|
| Type | VOD™ (Vacuum on Demand) |
| Pump Type..... | Multiphase |
| Compatible with..... | 1 - 4 Toilets / Grey Water Tanks |
| Connection Inlet..... | Ø 50 mm |
| Connection Outlet..... | Ø 50 mm |
| Unit Capacity..... | 10.2 m³/h ACMH at 500 mbar abs. (50% vacuum) |
| Lifting Height..... | Minimum 100 cm Maximum 200 cm without a non-return valve Maximum 500 cm with a non-return valve |
| Net Weight..... | 41.00 kg |

Operating Data

| | |
|----------------------------------|-------------|
| Power Supply..... | 230VAC |
| Recommended Circuit Breaker..... | C25 A |
| Inrush Current..... | 30 A |
| Absorbed Power..... | Max. 2.1 kW |
| Earth Leakage Current..... | 0.7 mA |

Disclaimer

Note: Our products and services are offered and sold subject to Jets Vacuum AS' General Sales Conditions, copies of which will be furnished upon request. Information provided herein is solely for information purposes, does not constitute any warranty or representation of any kind and is subject to change without notice. We strive to reproduce product colors reasonably accurate. Without prior written approval, this document or any part of may not be reproduced in any form. Jets™, Vacuumator™, Helivac™, VC™, VOD™, CVS™ and Softsound™ are trademarks and/or registered trademarks of Jets. © Jets AS. All rights reserved.



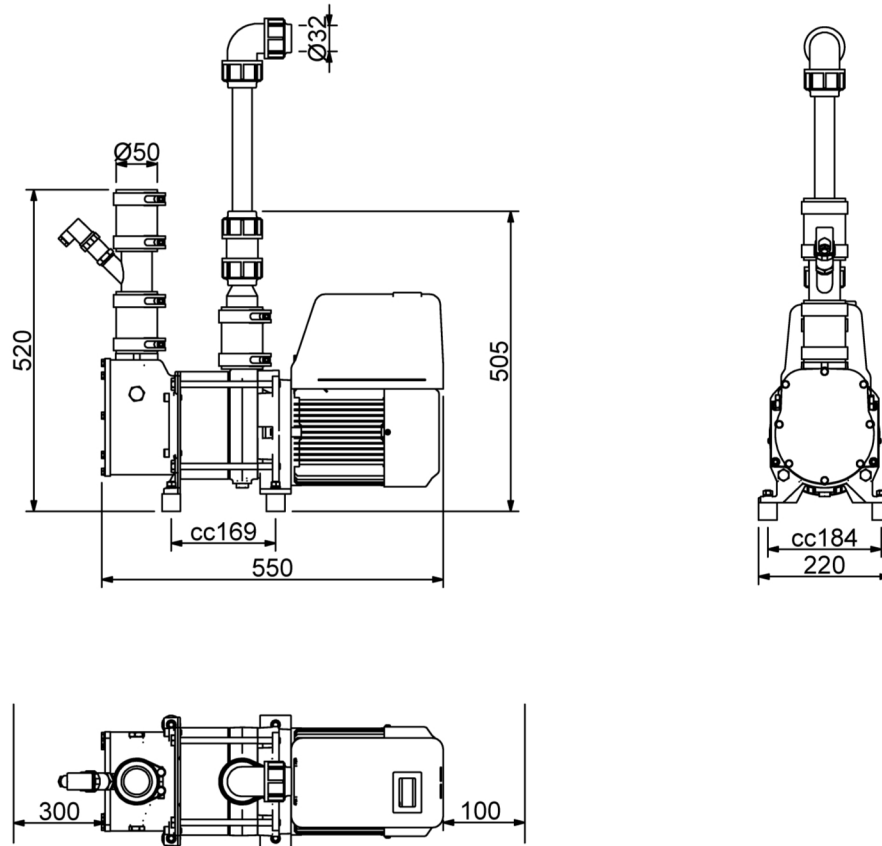
Components

| | | |
|---|--------------------------------------|------------|
| 1 | JETS 15 MB 230V, VOD | 046015003* |
| 2 | VTS Controller VOD 110-240VAC | 121315128* |
| 3 | Elbow with clamping ring | 034512541* |
| 4 | Union with clamping ring | 034512531* |
| 5 | Compensator, ø50mm w/Hose Clip | 034307100* |
| 6 | Vacuum Transmitter | 032318571* |
| 7 | Adapter | 013101302* |
| 8 | Reducer ø50-ø32mm | 034512551* |
| 9 | Connector w/cable 2m | 121200401* |

* Component/s available as replacement parts.

Dimension Drawings

* Hose compensators Ø50mm with clamps are not included in product delivery.



NOTE!
 On the pressure side (outlet) of the Vacuumarator™ pump, the outlet pipe must lift vertically to a minimum height of 1 m (total height from the pump outlet).
 Pipe is not included in Product Delivery.