



Example image only.

Jets™ Vacuum Unit is the most compact, efficient and reliable pump available for vacuum wastewater systems. The vacuum unit is designed as a complete solution for evacuation of waste water.

- Small physical footprint and low weight allows for quick and flexible installation.
- In line installation - direct discharge to sewer, STP (Sewage Treatment Plant) or collecting tank.
- Multiphase design - pumps combinations of air, black and grey water.
- The principle of operation is vacuum on demand (VOD™) and flexi system.
- The flexi system is used for up to four toilets or grey water tanks. Available for both pressurized water (main supply or pressurized water pump) and water from a can.

Disclaimer

Note: Our products and services are offered and sold subject to Jets Vacuum AS' General Sales Conditions, copies of which will be furnished upon request. Information provided herein is solely for information purposes, does not constitute any warranty or representation of any kind and is subject to change without notice. We strive to reproduce product colors reasonably accurate. Without prior written approval, this document or any part of may not be reproduced in any form. Jets™, Vacuumator™, Helivac™, VC™, VOD™, CVS™ and Softsound™ are trademarks and/or registered trademarks of Jets. © Jets AS. All rights reserved.

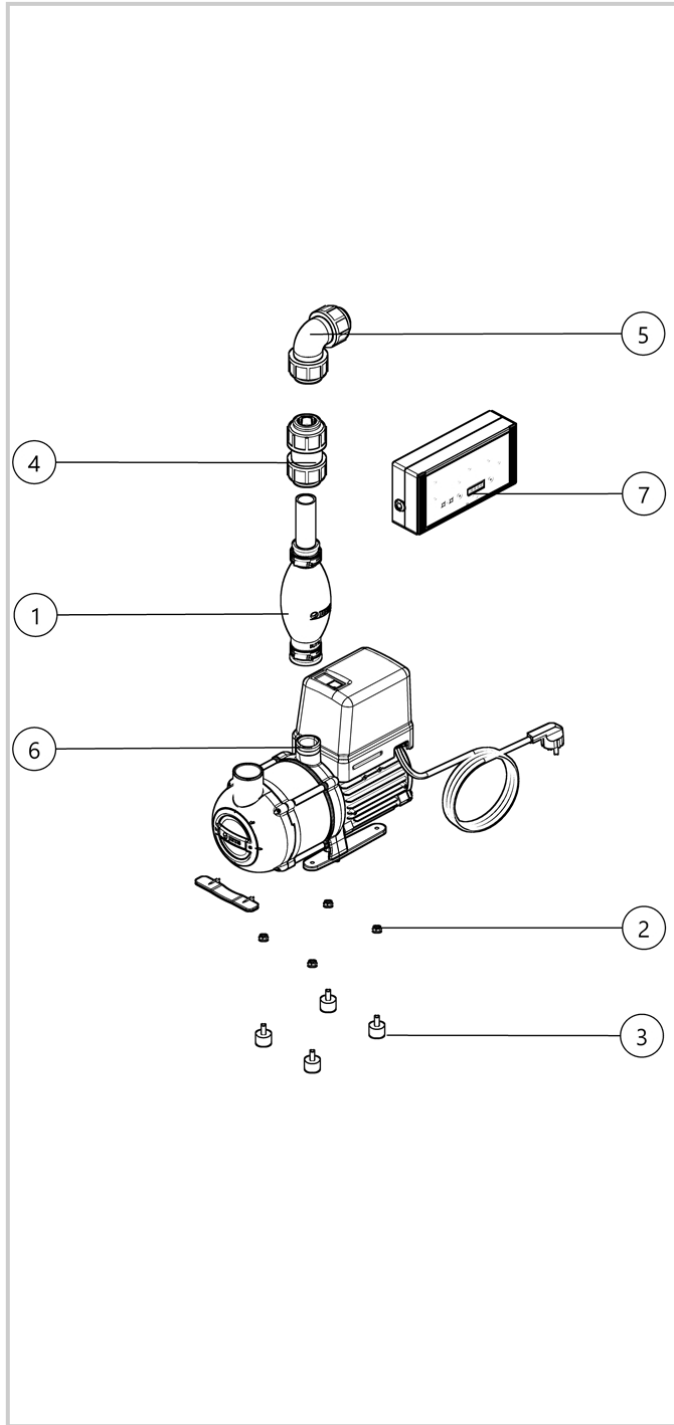
Technical Data



Type	VOD™ (Vacuum on Demand) Flexi System
Pump Type.....	Multiphase
Weight.....	Approx. 19 kg
Compatible with.....	1 - 4 toilets / grey water tanks
Connection Inlet.....	Ø 50 mm
Connection Outlet.....	Ø 32 mm
Unit Capacity.....	12.5 m³/h ACMH at 350 mbar abs. (35% vacuum)
Back Pressure.....	Max. 0.2 bar

Operating Data

Power Supply.....	230-240V, 12VDC, 24VDC
Note:.....	Values are dependent on pump selection.



Components

- 1 | Vacuumator Tank Kit 02U016035*
- 2 | Lock nut w/flange 036232910*
- 3 | Vibration Absorber M6 see selected product
- 4 | Union with clamping ring 034512531*
- 5 | Elbow with clamping ring 034512541*
- 6 | Vacuumator™ pump see selected product
- 7 | Control System see selected product

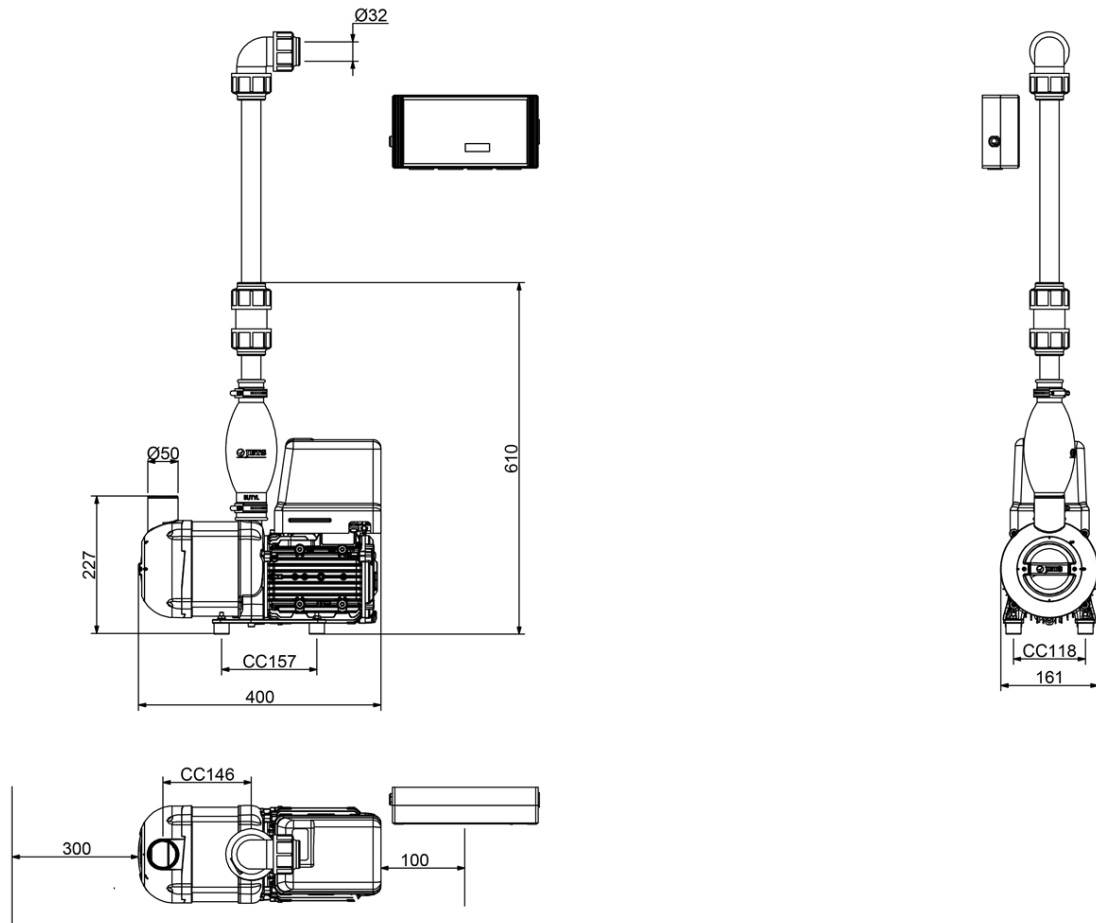
** Component/s available as replacement parts.*

Accessories

Construction Characteristics

- Vacuum Transmitter.....032318571
- Adapter.....013101302
- Connector w/cable 2m.....121200401
- Pipe Clamp, ø50mm - 1/2".....034233040
- Compensator, ø50mm w/Hose Clip.....034307100
- Extension Cable 5m.....121516216
- Extension Cable 10m.....121516217

Dimension Drawings



NOTE:
On the pressure side (outlet) of the Vacuumator™ Pump , the outlet pipe is not included in the product delivery.