

MAINSAIL

ALL DIMENSIONS
ARE TO INTERSECTIONS
OF TWO ADJACENT
EDGES.

TOTAL TRIANGLE
OF JIB + MAIN

JOE PRICE

MAIN

LUFF JIB 10' 10" - 12' 4 1/4"
LEACH 10' 2 1/2" - 11' 2"
FOOT 5' 6" - 4' 8 1/2"

Putnam



FIG. 12A 1/4, 1/2, AND 3/4 GIRTHS

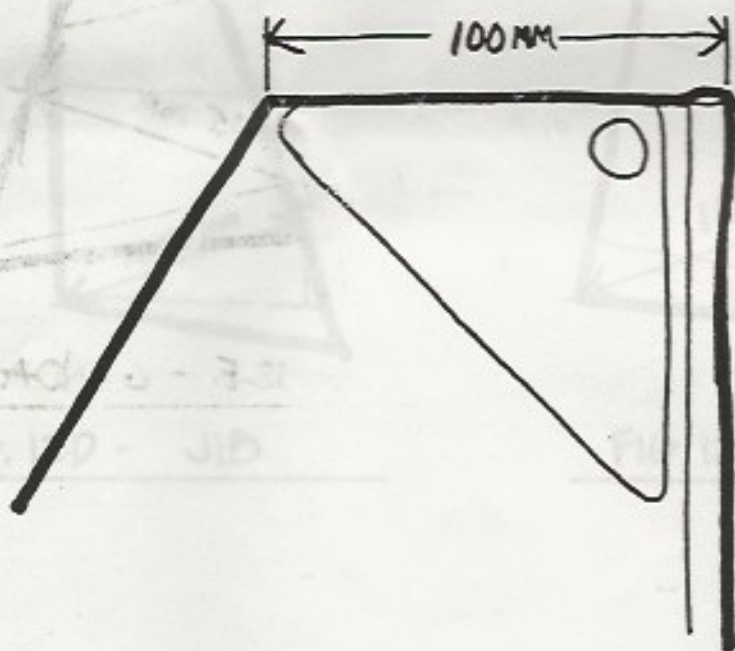


FIG. 12B HEADBOARD