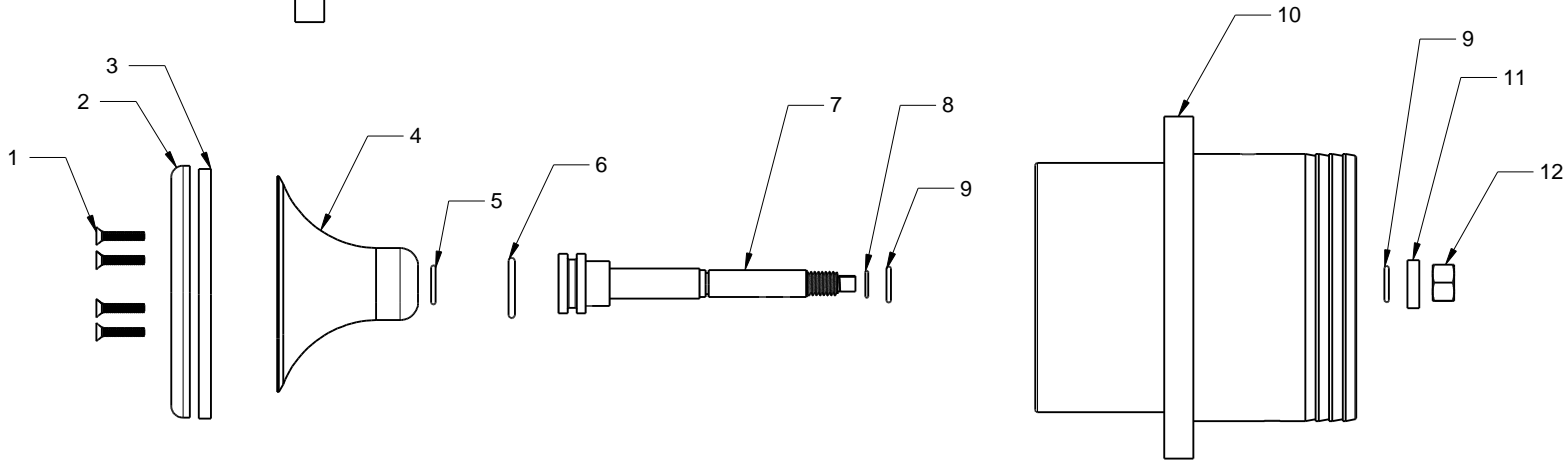
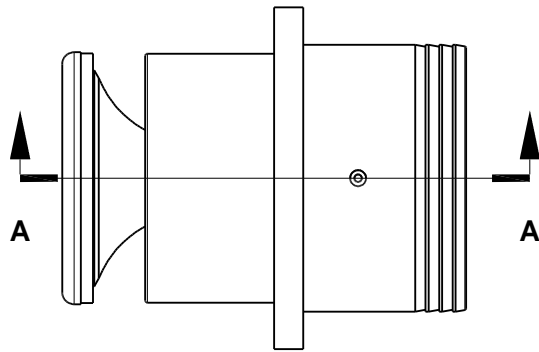


Section A-A

Quantity	Part Number	Item Number	Part Name
6	529	1	10/24 x 1 st st fhms
1	527	2	Cap
1	528 S	3	Cap seal
1	526	4	5 inch Cylinder
1	533	5	5/8 x 13/16 x 3/32 oring for cylinder
1	532	6	1 x 1 1/4 x 1/8 oring for piston
1	530 A	7	Piston rod
1	535	8	7/16 x 9/16 x 1/16 oring for stem of piston rod
2	534	9	9/16 x 3/4 x 3/32 orings for body and sealing washer
1	525 F	10	5 inch body
1	538	11	Sealing washer
1	531	12	1/2 nc st st hex nut



Fractions `1/16"		AMCo 5" Water Valve Bill of Materials	
.x	.030	All dimenstions are in inches unless otherwise noted do not scale drawing	
.XX	.015	SCALE	DWG NO.
.XXX	.001	4 to 1	525 F exploded veiw water valve
Angles	± 2°	SHEET	REV
APPROVED	CHECKED	DATE	
MT	MT	3/03/2016	
DRAWN		Awerkamp Machine Co. 237 North 7th Street Quincy, Illinois 62301 Phone 217-222-3480 Fax 217-222-9408 email awerkampmachine@sbcglobal.net	