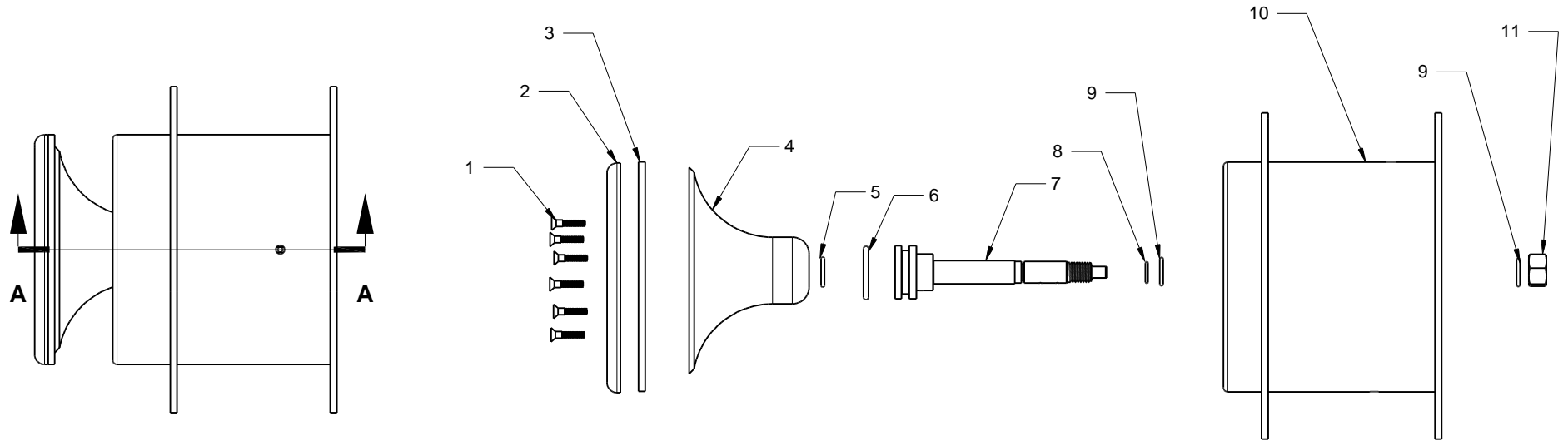


Section A-A

Quantity	Part Number	Item Number	Part Name
6	806	1	1/4 x 1 1/4 st st fhms
1	804	2	8 inch cap
1	805	3	8 inch cap seal
1	803	4	8 inch cylinder
1	810	5	7/8 x 1 1/8 x 1/8 oring for cylinder
1	809	6	1 5/8 x 2 3/32 x 3/32 oring for piston
1	807	7	piston rod
1	812	8	5/8 x 13/16 x 3/32 oring for piston rod
2	811	9	13/16 x 1 1/16 x 1/8 orings for body center hub
1	801	10	8 inch body
1	808	11	3/4 nc st st hex nut



Fractions `1/16"		AMCo. 8" Water Valve Bill of Materials		
.x	.030	All dimintions are in inches unless otherwise noted do not scale drawing		DWG NO.
.XX	.015	SCALE	SHEET	Awerkamp Machine Co. 237 North 7th Street Quincy, Illinois 62301 Phone 217-222-3480 Fax 217-222-9408 email awerkampmachine@sbcglobal.net
.XXX	.001	6 to 1	1 of 1	
Angles	± 2°	DRAWN	DATE	
APPROVED MT	CHECKED MT	MVH	3/2/2016	REV