



37th Annual LOW Arts Fine Art Show and Sale

**Show Entry Form
September 25-26, 2021**

General Information

Who: All Artists, Authors and Photographers, who are **property owners** or **LOW residents**, or members of recognized LOW art-related clubs, may enter their own **original** work.

What: (Categories) Paintings and drawings in all media (oil, watercolor, acrylic, pastel, graphite, ink), photography, wood/metal, pottery, jewelry, glass, fiber; including previously shown works.

All paintings must be prepared for hanging. Photos and drawings must be framed, matted or securely mounted on a firm, non-curling support. (Framed Art & Canvases must have wire for hanging. All canvases must be framed and or painted on sides or have suitable coverage to hide blank canvas) LOW Arts will provide table coverings. Business cards and a biography may be displayed with the artist's exhibit.

Where: LOW Community Center

When:	Saturday	September 25	Bring & set up display	8:00-10:00 am
			Show opens to public	10:00 - 5:00 pm
	Sunday	September 26	Show hours	10:00 - 5:00 pm
			Remove all entries	5:00 - 5:30 pm*

***Unsold artwork is not to be removed before 5:00 pm Sunday!**
Please contact Patty Bell (540-972-1571) or Cyndi Steele (540-256-8242) with questions about spaces.

Art Show Entry Form

Entry Form DEADLINE: Saturday, September 17, 2021. Please complete both sides.

Name _____

1st Time Exhibitor Y__ N__ **1st time exhibitors must include photos of art to be exhibited.**

Address _____

Email _____ Phone _____

Space Options (while supply lasts)

	Spaces	ea.
Total		
A__ Free-standing art space (See attached diagrams). W/ table Y__ N__	___	x \$25.00 = ___
B__ Free-standing art space (covered metal trifold racks). One side.	___	x \$25.00 = ___
C__ 8 ft. table with no hanging space	___	x \$25.00 = ___
D__ 12 ft. wall space only, along perimeter of room (hanging wires required. For heavy and/or large paintings/photographs)	___	x \$25.00 = ___
Total Spaces	___	x \$25.00 = ___
Total Paid		\$ ___

Make checks payable to LOW Arts
Please plan your display to fit the space you purchase.



37th Annual LOW Arts Fine Art Show and Sale
Show Entry Form
September 25-26, 2021

Rules: LOW Arts Planning Committee reserves the right to refuse any entry because of limited space or to preserve the quality and standards of the show. In order to hang safely, all artwork must have wire on back for hanging. (No saw tooth hangers). Unframed canvases must have finished sides or have suitable coverage to hide blank canvas.

Volunteer: All exhibitors are required to help for a 2-hour shift, i.e. greeter, raffle tickets sales, wrapping art sales, etc. Instructions will be provided. Our volunteer coordinator will be in touch with you to schedule your shift.

Disclaimer: While every reasonable precaution will be taken, LOWA, its staff and employees, the LOW Arts, and all volunteers at the exhibit WILL NOT be held responsible for loss, theft, or damage to any of the works on exhibit.

Pricing: Items for Sale must have a tag that includes artist's name, item description and price. Tax will be added at checkout. LOW Arts will collect 15% commission on items sold at the show. Please do not price items for less than \$2. MasterCard and Visa credit cards, checks and cash will be accepted payment for items sold at the show. The price tag sheets is attached to this form. Items NOT for Sale (NFS) must have an Identification card.

For general show information call: Jen Heinz at 703-508-1104.

Cut here -----

ENTRY FORM (side 2)

I hereby state that I have read and will observe the show guidelines (available on the LOW Arts website www.lakeofthewoodsarts.com) for exhibiting in the LOW Arts Show.

I understand that neither LOWA nor LOW Arts will be held responsible for any loss or damage to my work.

I am a LOW property owner or resident or a member of a recognized art-related LOW club.

My preferred shift period is: Saturday AM ___ Saturday PM ___ Sunday AM ___ Sunday PM ___

My entry fee check (made to LOW Arts) is enclosed _____

My phone number which will be used on published exhibitor listing _____

Please describe your art in detail for the exhibitor listing and so that proper placement can be determined.

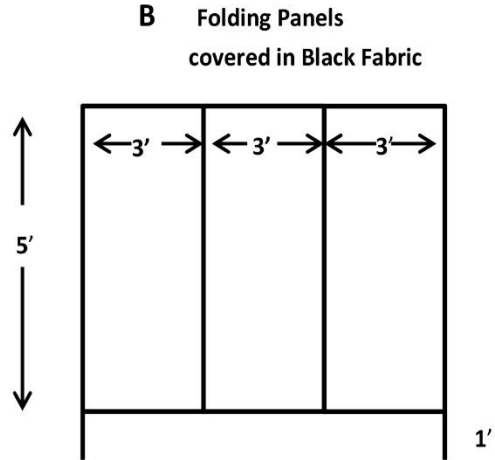
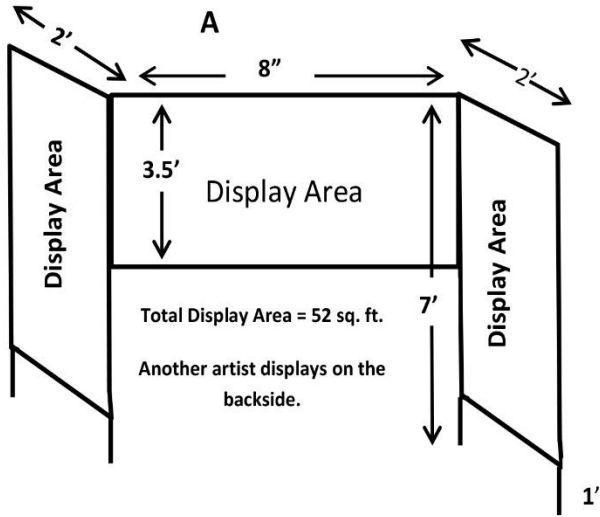
Signature _____ Print name _____

Date _____

When your application is received, you will get email or phone confirmation. Space is limited so enter early! Spaces will not be assigned until all information is complete and volunteer shift scheduled.

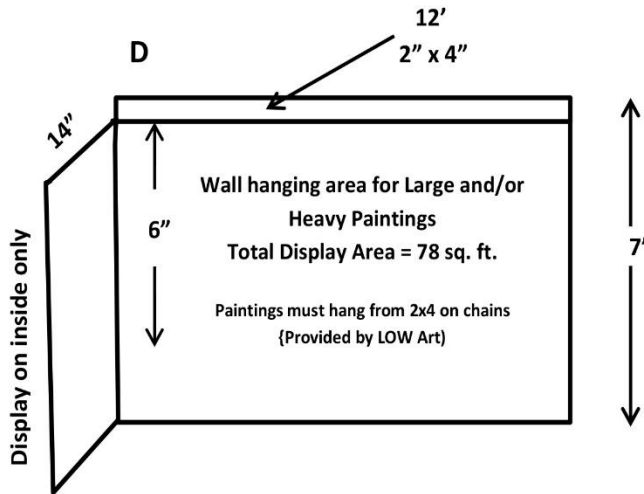
Mail or drop off your entry form to: Patty Bell at 423 Wilderness Drive, Locust Grove, VA 22508

Space Options Diagram



"B" is usually folded like \wedge for stability.

Total Display Area = 45 sq. ft.
Another artist displays on the backside.





37th Annual LOW Arts Fine Art Show and Sale
Show Entry Form
September 25-26, 2021

DISPLAY CARD/PRICE TAG SHEET FOR ARTWORK
Also available as a Word document

Artist's Last Name		First Name	
Item Description	Price or NFS		
	\$		
Tax will be added at check-out			

Artist's Last Name		First Name	
Item Description	Price or NFS		
	\$		
Tax will be added at check-out			

Artist's Last Name		First Name	
Item Description	Price or NFS		
	\$		
Tax will be added at check-out			

Artist's Last Name		First Name	
Item Description	Price or NFS		
	\$		
Tax will be added at check-out			

Artist's Last Name		First Name	
Item Description	Price or NFS		
	\$		
Tax will be added at check-out			

Artist's Last Name		First Name	
Item Description	Price or NFS		
	\$		
Tax will be added at check-out			

Artist's Last Name		First Name	
Item Description	Price or NFS		
	\$		
Tax will be added at check-out			

Artist's Last Name		First Name	
Item Description	Price or NFS		
	\$		
Tax will be added at check-out			

Artist's Last Name		First Name	
Item Description	Price or NFS		
	\$		
Tax will be added at check-out			

Artist's Last Name		First Name	
Item Description	Price or NFS		
	\$		
Tax will be added at check-out			

Artist's Last Name		First Name	
Item Description	Price or NFS		
	\$		
Tax will be added at check-out			

Artist's Last Name		First Name	
Item Description	Price or NFS		
	\$		
Tax will be added at check-out			