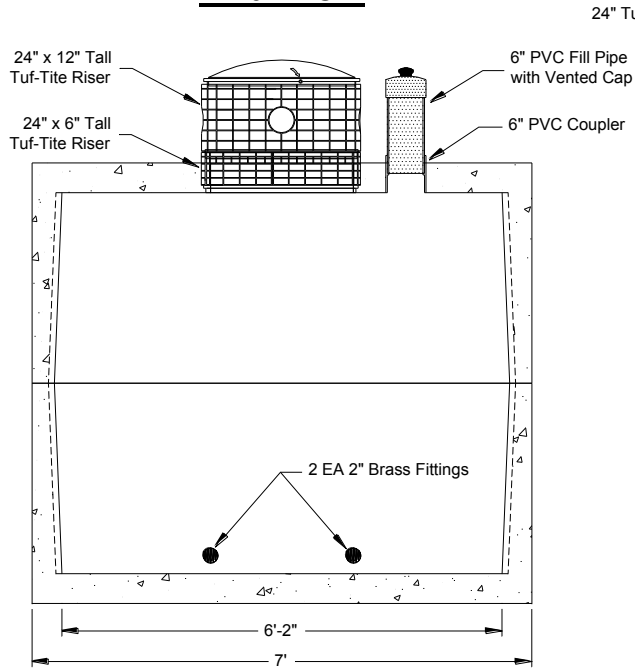
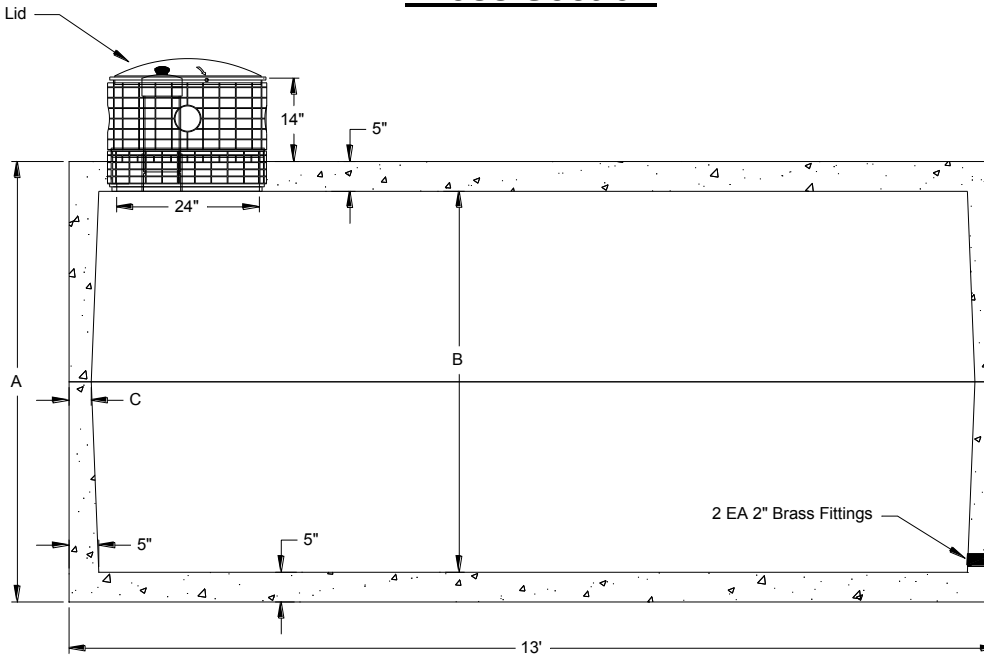


End View



Cross Section



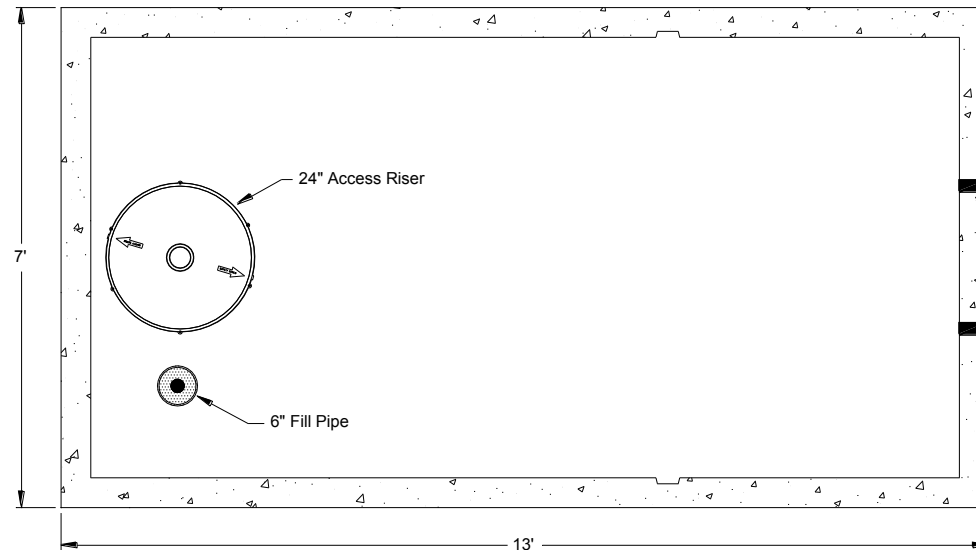
SPECIFICATIONS

Tank: Manufactured per Montana Circular DEQ-17 design standards for cisterns, Portland Type V (sulfate resistant) cement, 2 EA 2" brass FIPT fittings cast into tank wall for inlet / outlet pipe penetrations, 1 EA 24" dia. x 6" Tuf-Tite access riser cast into top of tank, 6" SDR35 PVC slip coupler cast into top of tank for fill pipe extension.

Standard Components: 1 EA 24" dia. x 12" tall Tuf-Tite access riser extension, 1 EA 24" Tuf-Tite lid, SS screws, 1 EA 6" dia. x 16" long SDR35 PVC fill pipe extension, 1 EA 6" PVC slip cap with screened vent cap, ConSeal CS-665 butyl rubber sealant for potable water to seal center tank joint.

NOTE 1): Tank must be installed per Billings Precast's 'Tank Installation Guide' or warranty will be VOID.

NOTE 2): Tank shall not be placed in a traffic area (ie. parking lot, driveway, etc.) - Warranty will be VOID if



Top View

| Model No. | A | B | C | Gallon | Weight |
|-----------|-------|-------|--------|--------|------------------------------------|
| C2480 | 5'-2" | 4'-4" | 4" | 2480 | 10,445 lb./Half [20,890 lb. Total] |
| C3070 | 6'-2" | 5'-4" | 3 3/4" | 3070 | 11,380 lb./Half [22,760 lb. Total] |
| C3760 | 7'-2" | 6'-4" | 3 1/2" | 3760 | 12,260 lb./Half [24,520 lb. Total] |

5815 Interstate Avenue
 Billings, Montana 59101
 PHONE (406) 656-6098
 FAX LINE (406) 656-4942
 billingsprecast.com



DWG. NO.

C2480, C3070 & C3760

2480, 3070 & 3760 Gallon Cisterns

SCALE: NONE

DATE: 9-4-13

REV: DRN: WDB