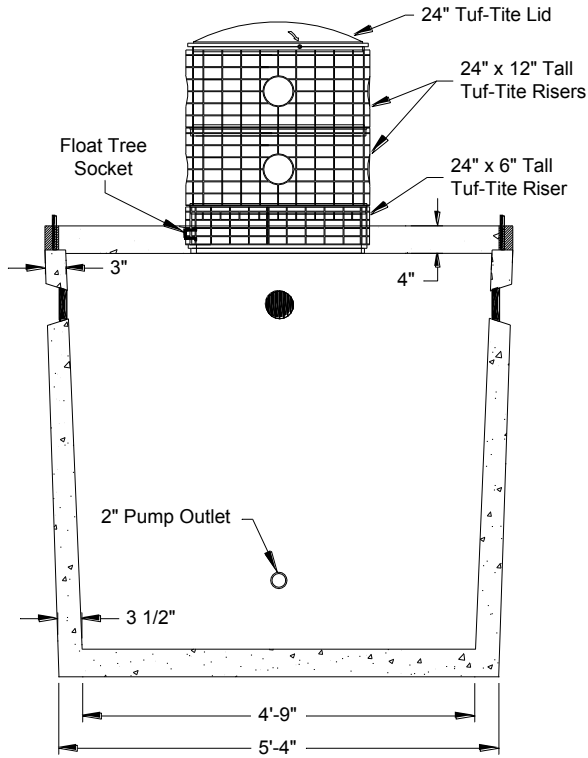
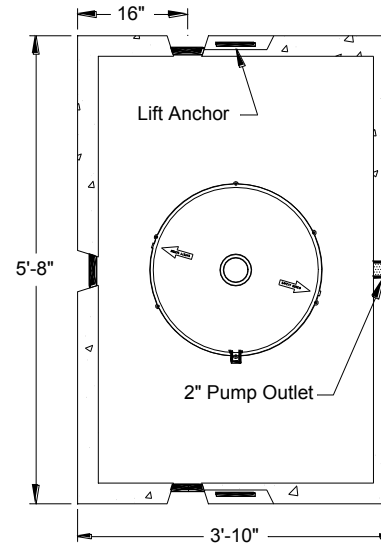
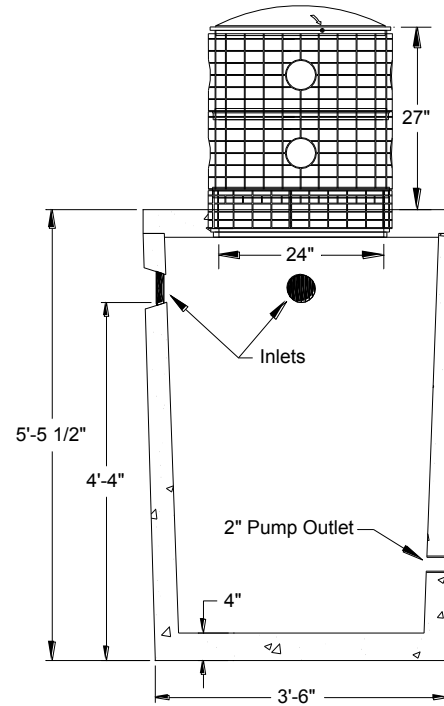


### End View



### Cross Section



### Top View

### SPECIFICATIONS

**Tank:** Manufactured per Montana Circular DEQ-4 Chapter 7 design standards for septic tanks, 4" dia. pipe seals for inlet pipe penetrations, 1 EA 24" dia. x 6" Tuf-Tite riser cast into tank lid for pump access, 2" Sch40 PVC coupler cast into tank wall for pump outlet connection.

**Standard Components:** 2 EA 24" dia. x 12" tall Tuf-Tite access riser extensions, 1 EA 24" Tuf-Tite lid, SS screws, ConSeal CS-102 butyl rubber sealant to seal tank lid.

**NOTE 1):** Tank must be installed per Billings Precast's 'Tank Installation Guide' or warranty will be VOID.

**NOTE 2):** Tank shall **not** be placed in a traffic area (ie. parking lot, driveway, etc.) - Warranty will be VOID if driven on.

WEIGHT: 5000 lb.

**BILLINGS PRECAST**  
 CONCRETE RESULTS FOR HARD WORKING PEOPLE

5815 Interstate Avenue, Billings, Montana 59101  
 PH (406) 656-6098 FAX (406) 656-4942  
 www.billingsprecast.com

DWG. NO. **DT05S**

500 Gallon Single Piece Dosing Tank

SCALE: NONE	DATE: 9-28-12	DRN: WDB
REV: A		