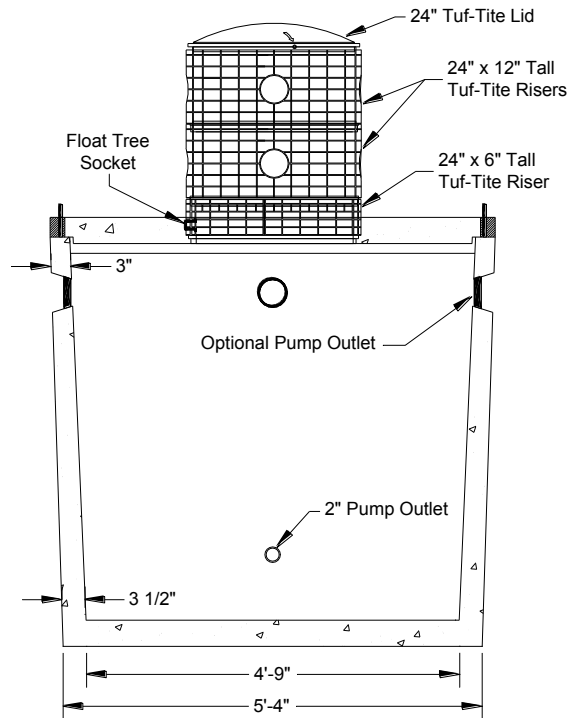
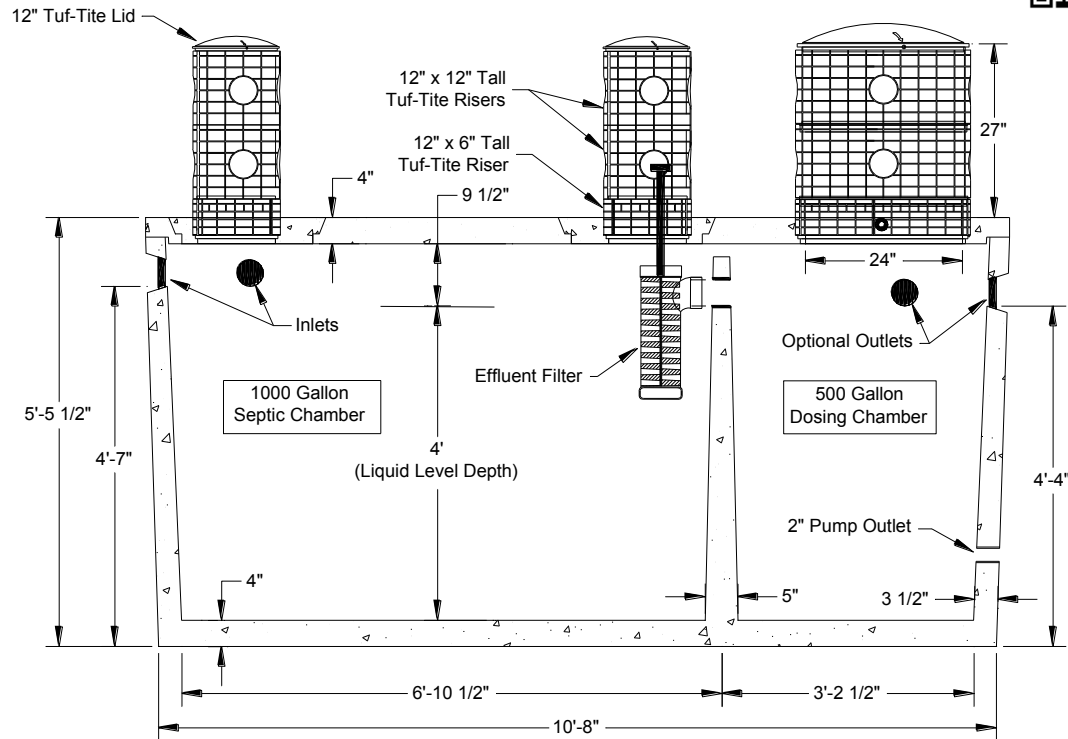


End View



Cross Section



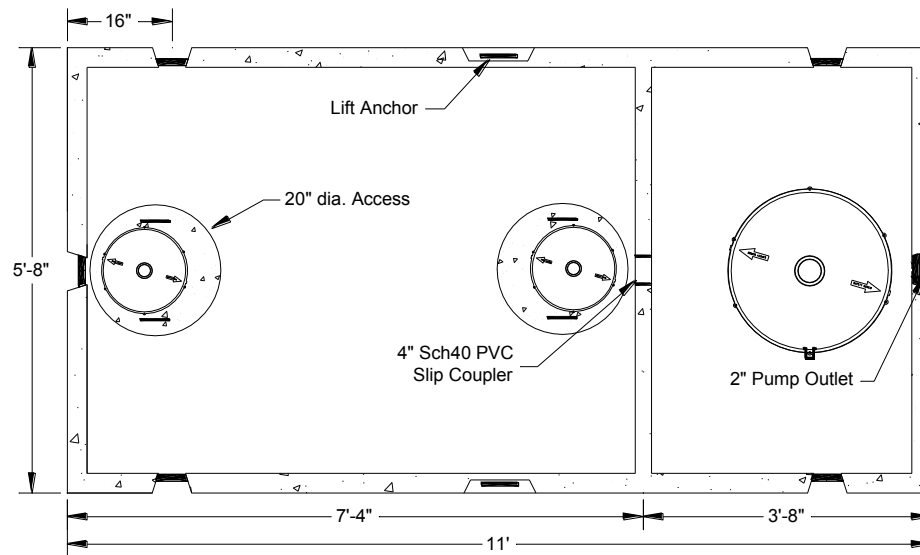
SPECIFICATIONS

Tank: Manufactured per Montana Circular DEQ-4 Chapter 7 design standards for septic tanks, 4" dia. Pipe seals for inlet pipe penetrations, 2 EA 12" dia. x 6" tall Tuf-Tite risers cast into 20" cleanout lids, 1 EA 24" dia. x 6" Tuf-Tite riser cast into tank lid for pump access, 1 EA 2" Sch40 PVC coupler cast in tank wall for pump outlet.

Standard Components: 4 EA 12" dia. x 12" tall Tuf-Tite riser extensions, 2 EA 12" Tuf-Tite lids, 2 EA 24" dia. x 12" tall Tuf-Tite access riser extensions, 1 EA 24" Tuf-Tite lid, SS screws, Tuf-Tite EF-6 Combo (1500 GPD) effluent filter with 1/2" dia. PVC handle extension, Con-Seal CS-102 butyl rubber sealant to seal tank lid.

NOTE 1): Tank must be installed per Billings Precast's 'Tank Installation Guide' or warranty will be VOID.

NOTE 2): Tank shall **not** be placed in a traffic area (ie. parking lot, driveway, etc.) - Warranty will be VOID if driven on.



Top View

WEIGHTS: Tank - 10,300 lb.; Lid - 2850 lb. [Total Assembled = 13,150 lb.]



BILLINGS PRECAST
CONCRETE RESULTS FOR HARD WORKING PEOPLE



5815 Interstate Avenue, Billings, Montana 59101
PH (406) 656-6098 FAX (406) 656-4942
www.billingsprecast.com

DWG. NO. **SDC15S**

1000 / 500 Gallon Combination
Septic / Dosing Tank - Single Piece

SCALE:	NONE
DATE:	9-26-12
REV:	A
DRN:	WDB