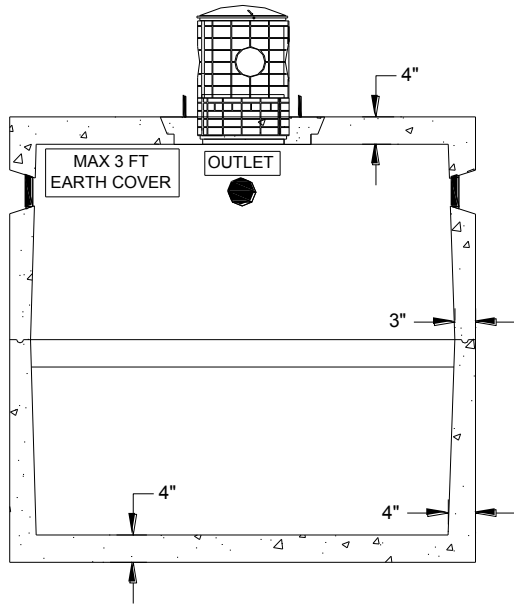
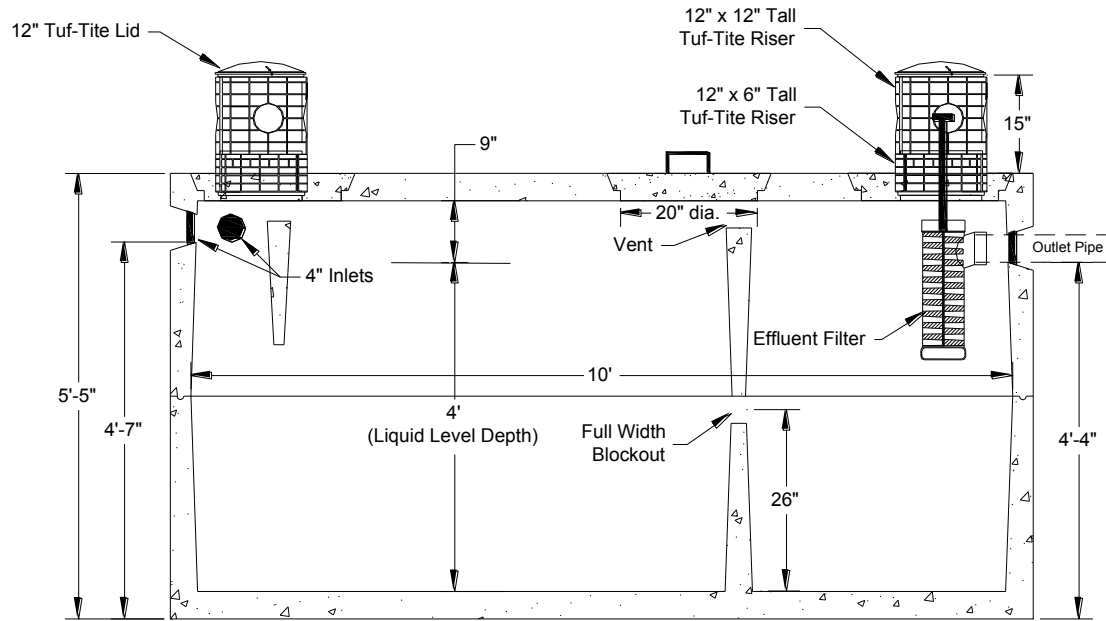


End View



Cross Section



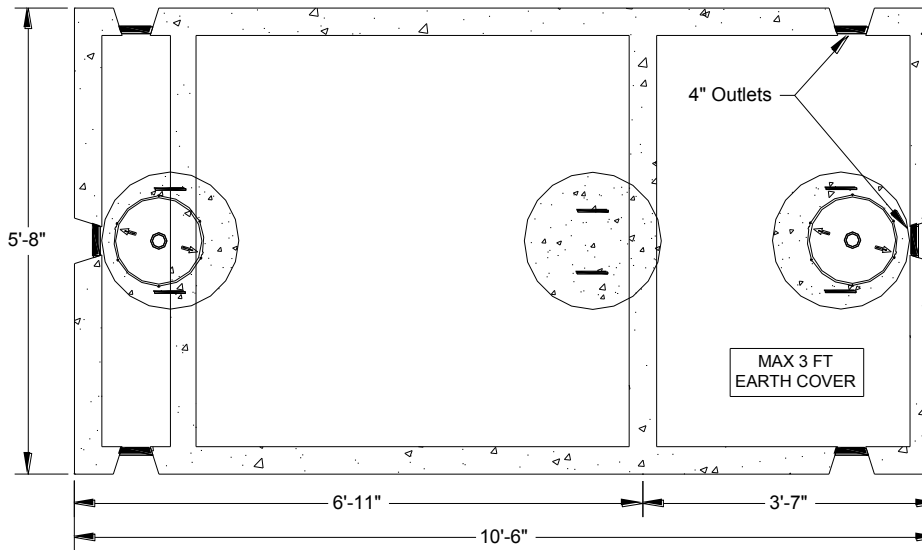
SPECIFICATIONS

Tank: Manufactured per 2013 Montana Circular DEQ-4 Chapter 5 design standards for septic tanks, Tuf-Tite TS-4Pro pipe seals cast in for inlet and outlet pipe penetrations, 2 EA 12" dia. x 6" tall Tuf-Tite risers cast into 20" cleanout lids.

Standard Components: 2 EA 12" dia. x 12" tall Tuf-Tite riser extensions, 2 EA 12" Tuf-Tite lids, SS screws, Tuf-Tite EF-6 Combo (1500 GPD) effluent filter with 1/2" dia. PVC handle extension, ConSeal CS-102 1" butyl rubber sealant to seal center tank joint.

NOTE 1): Tank must be installed per Billings Precast's 'Tank Installation Guide' or warranty will be VOID.

NOTE 2): Tank shall not be placed in a traffic area (ie. parking lot, driveway, etc.) - Warranty will be VOID if driven on.



Top View

WEIGHTS: 6000 lb. per 1/2 [Total = 12,000 lb.]

5815 Interstate Avenue
Billings, Montana 59101
PHONE (406) 656-6098
FAX LINE (406) 656-4942
billingsprecast.com



ST15D

1500 Gallon Septic Tank
- Two Compartment -

DWG. NO.

SCALE: NONE

DATE: 2-4-14

REV: A
DRN: WDB