

MSI 100W Mono-Crystalline Solar Panel

Grade A, Top quality

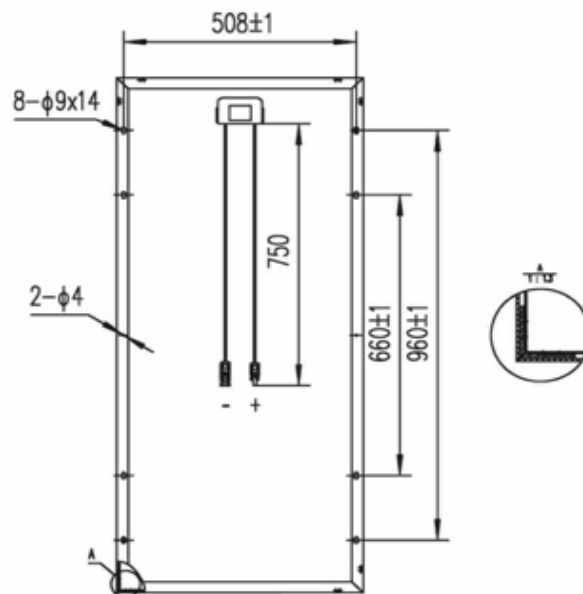


- Positive tolerance 0 to +3%, increase the output performance
- Good for 12V battery charging
 - UV protection
 - All weather protection
 - Moisture protection

Electrical Characteristics:

Rated Power	100 W
Tolerance	±3%
Solar Cells	Mono-crystalline, 4 x 9 cells
Max. power voltage, Vm	18.00V
Max. power current, Im	5.55A
Open circuit voltage (Voc)	21.60V
Open circuit current (Isc)	5.94A
Cell efficiency	17%
Max. system voltage	1000VDC
Temp. Coefficient of rated power	-0.48%/°C
Temp. Coefficient of Voc	-0.347%/°C
Temp. Coefficient of Isc	0.055%/°C
Operating Temperature	-40°C ... +85°C
Mechanical Load	5400Pa

*Measured at standard test conditions: 25°C, AM1.5, 1000W/m²



Mechanical Characteristics:

Dimensions	1200x541x35mm (47x21.3x1.38 inch)
Weight	7.6kg (16.7 lbs)
Cable	60cm cable with MC4 connector
Frame	Anodized aluminum
Bypass diodes	2
Glass	High Transmission Tempered Glass
Encapsulate	EVA
Back sheet	TPT

Warranty:

90% power output over 12 years

80% power output over 25 years

Output cable with MC4 connector