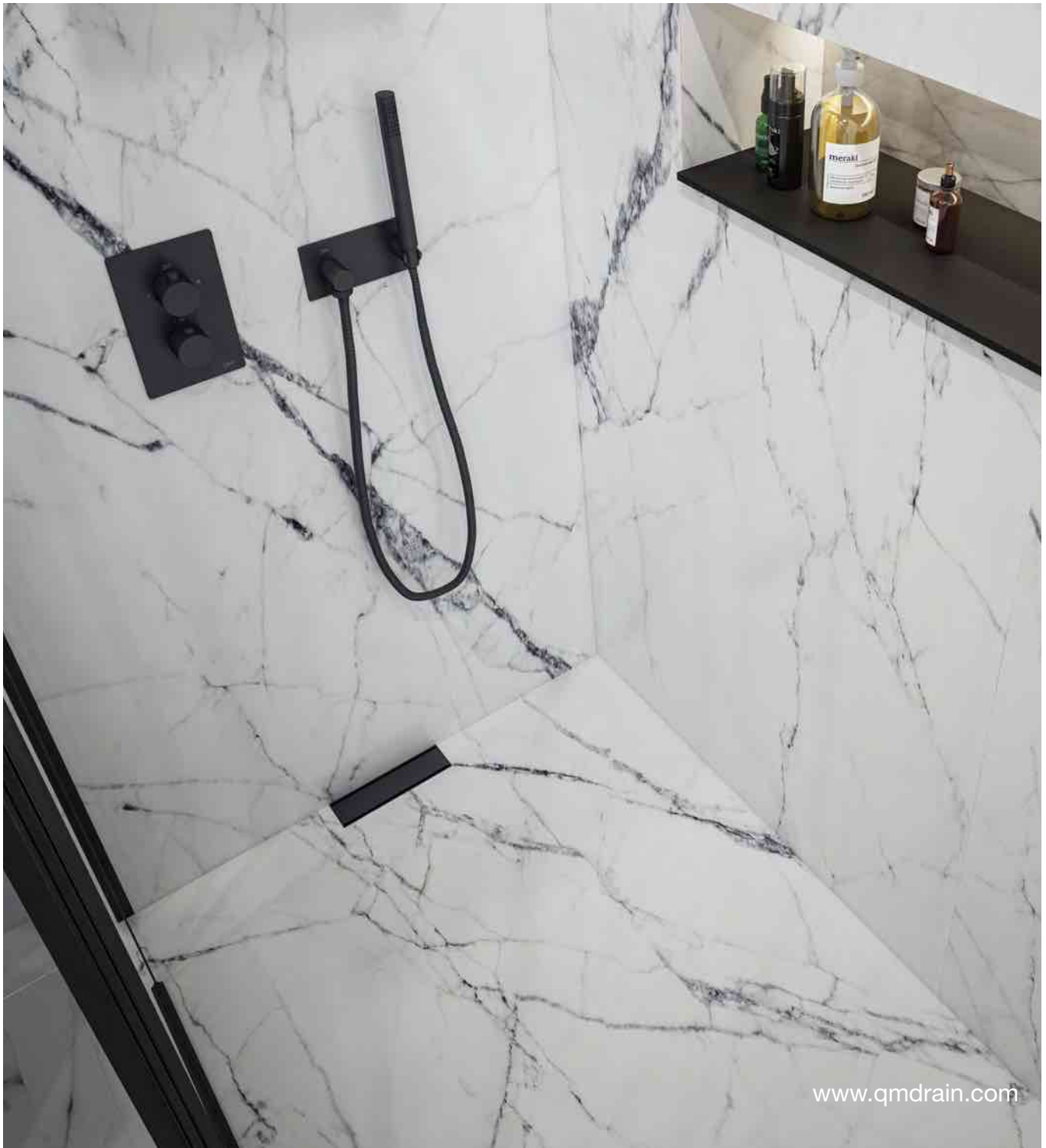




Center & Linear Drains





Contents

| | Page | | Page |
|-----------------------------------|-----------|------------------------------------|------------|
| About QM Drain | 5 | Lagos Series | 69 |
| Delmar Series | 11 | Lagos Adjustable | 70 |
| Delmar Supreme | 15 | Wedgewire | 73 |
| Supreme | 21 | Perforated | 75 |
| Supreme Tile-In+ | 23 | Mist (Tile-In) | 77 |
| Delmar Adjustable | 28 | Lagos Standard | 79 |
| Wedgewire | 31 | Veil (Tile-In) | 81 |
| Perforated | 33 | Lagos Center | 84 |
| Mist (Tile-In) | 35 | Mira | 87 |
| Delmar Standard Length | 36 | Veil (Tile-In) | 89 |
| (plain, flange edge, side outlet) | | Bay Series | 91 |
| Wedgewire | 40 | Standard Length 2-in-1 | 93 |
| Delta | 42 | Standard Length Ria | 95 |
| Mist (Tile-In) | 46 | Center Ria | 97 |
| Kai | 48 | Installation Components | 98 |
| Nami | 52 | FAQ | 100 |
| Lotus | 54 | Technical Information | 103 |
| Delmar Center | 56 | Installation Instructions | 135 |
| Delta | 59 | Drains Components and Parts | 153 |
| Mist (Tile-In) | 61 | Price List Index by Size | 159 |
| Kai | 63 | Price List Index by Finish | 168 |
| Nami | 65 | Contact Us | 178 |
| Lotus | 67 | | |



Our Philosophy

QM Drain is a member of the Quality Metal Group family with over 18 years of experience committed to the best product design using the highest quality Stainless Steel.

Dedicated to eco-friendly manufacturing of a complete line of drains for uses from your shower to your pool.

With headquarters in Florida, USA, and distribution in more than 27 countries, QM has been selected for numerous high-profile projects in several countries.

QM Drain offers a wide range of linear and center drains in 3 series, Delmar, Lagos, and Bay. Bringing technological innovations through simplification, quick installation, and guaranteed performance.

Our most recent award-winner, SUPREME, sets a new benchmark for linear drains.

QM Drain is innovation, quality, and service!



Code Approval

QM products meet code approval in the United States and Canada per ASME Standard ASME A 112.18.2-2011/CSA B 125.2-11. Our products were tested in CSA's laboratory to meet the above standards. Additionally, these standards are recognized in the Uniform Plumbing Code (UPC) for Plumbing Waste Fittings.



THE PASSION FOR STAINLESS STEEL

QM DRAIN chooses AISI 316/L stainless steel to shape its own ideas. Stainless steel AISI 316/L also known as Marine 316, is a guarantee of quality and sustainability and is widely considered an ecological material if mechanically manufactured. An inert material that does not release toxic or harmful substances, the stainless steel combines the high level of hygiene, understood as antibacterial efficacy, with the resistance to corrosion thanks to the self-protective film that protects it when in contact with air. QM DRAIN adopts handmade finishes for its series obtained by smoothing, polishing and brushing. The wisdom and experience of QM DRAIN'S craftsmanship ensures a quality product.



TECHNOLOGICAL INNOVATION

QM DRAIN (Quality Metal Drain) invests its know-how in the research and development of technological solutions for product design. The origins of its expertise trace back to its experiences in the plumbing and installation planning fields, combining technical know-how and architectural demands. The internal research into the product and its peculiarities is careful and aims at supporting the construction work, through simplification, rapid installation and guaranteed operation.



DESIGN & PRODUCTION

QM DRAIN production process is characterized by precision, simplicity, and craftsmanship that guides innovation and sustainability resulting in sleek design that will transcend architecture through time.

Our Passion for Stainless Steel



ECO-FRIENDLY PRODUCT

The distinctive hardness of the AISI 316/L stainless steel guarantees long life of QM DRAIN products and resistance to scratches, external agents, salt and sulfur waters. The characteristics of the material represent the primary guarantee of QM DRAIN products: quality, durability and eco-friendly.



TOTALLY RECYCLABLE

QM DRAIN chooses AISI 316/L stainless steel, a totally recyclable and highly performing material. The raw material, characterized by low levels of carbon, is carefully selected and enables QM DRAIN to not involve hot melting, painting, galvanic treatment or other chemical processes during production. QM DRAINS do not release any toxic elements into the water, and are highly hygienic and totally recyclable.



LOW ENVIRONMENTAL IMPACT

QM DRAIN adopts only cold working methods for stainless steel and does not influence global warming.

Thanks to Precision CNC machines (lathes, milling and laser cutting) the quality of the production process achieves excellent results. Finishes are also obtained through environmentally friendly mechanical processes.

QM stainless steel Bronze, Matte Black, and Satin Gold finishes are obtained by Physical Vapor Deposition (PVD) and Nano Technology coating. The result is superior wear, corrosion and chemical resistance, high hardness, and an environmentally friendly process.



1. BEYOND QUALITY

Never compromise quality, we offer only the best.

2. TRENDING DESIGNS

Ahead of the curve, we create change.

3. QUALITY CONTROL

Pride in every detail, craftsmanship ensures a quality product.

4. TECHNOLOGICAL INNOVATION

Through simplification, rapid installation, and guaranteed operation.

5. WORLD CLASS SUPPORT

As a team, we bring experiences, challenges, and responsibility to each product.

10 Reasons to Choose QMDrain

6. PRESERVE THE ENVIRONMENT

We always use recyclable and Eco-friendly materials.

7. PASSION FOR STAINLESS STEEL

We choose **Marine Grade 316 Stainless Steel**, the highest corrosion resistance material, to shape our ideas.

8. HIGH LEVEL OF EXPERTISE

More than 18 years dedicated to design and manufacturing using stainless steel.

9. CUSTOM CAPABILITY

Whether a single drain for residential or providing an engineered solution for commercial projects, our expertise ensures quality and timeliness.

10. DIGITAL PRESENCE

#QMDrain
#DesignThatWorks
#StainlessSteel316





#StainlessSteel316

Delmar Series

Delmar is our crown jewel. It is the perfect combination of unique modern design and the highest quality you will find in the industry.

Delmar offers you the only line of drains made entirely of **Stainless Steel Marine 316**, from top to bottom, for unmatched corrosion resistance and minimum maintenance.

It gives you the most design freedom through our wide variety of options:

- Supreme linear drains
- Adjustable and custom linear drains
- Standard length linear drains
- Square center drains



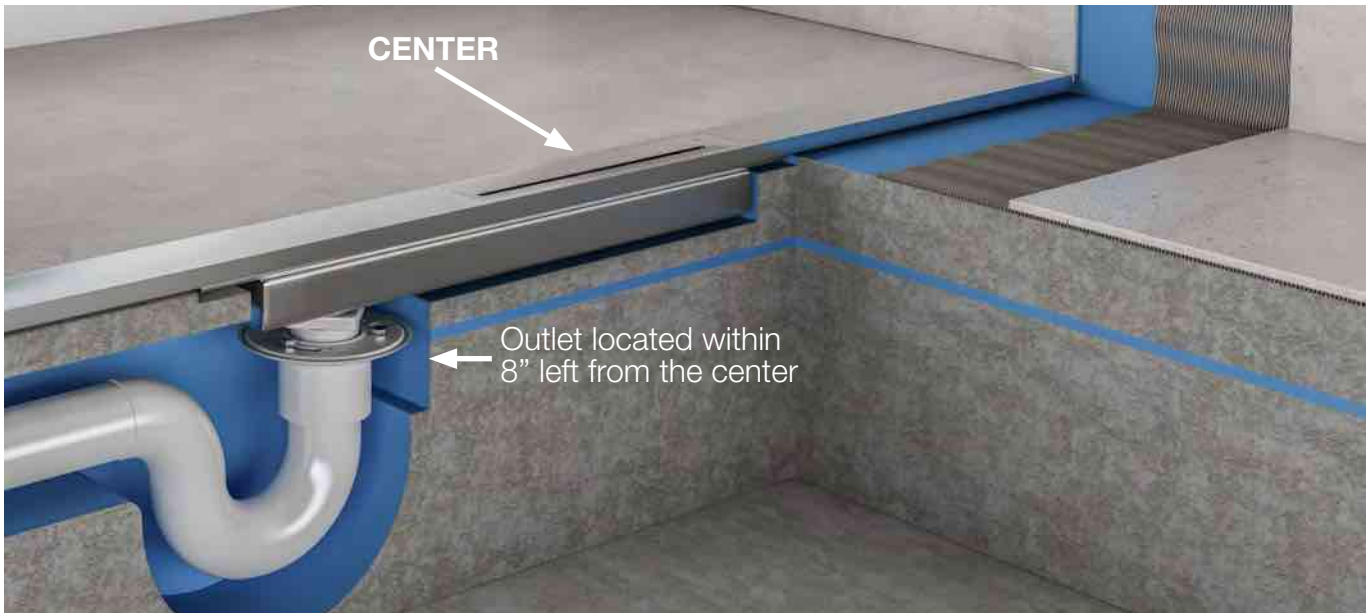




SUPREME HAS SET A NEW BENCHMARK IN SHOWER DRAINS



SUPREME revolutionizes
the installation of linear drains



VERSATILITY & FLEXIBILITY

SUPREME is a unique linear shower drain that solves one of the biggest problems facing installers and plumbers in both construction and remodeling, eliminating the need to relocate existing plumbing when the water outlet is located a few inches off-center.

This award winning and innovative product offers an independent base that houses an internal rail system which enables the grate to be in a different position than the base and the outlet, allowing a quick and easy installation. Its superior design provides a flexible 8-inch range from the center of the shower, allowing you to center your drain without moving the existing pipe.

Two Design Options:

Supreme



Supreme Tile-in⁺



Drain base has an offset 2" outlet. This feature allows you to rotate the base to accommodate a left or right position and the sliders adjust to connect the grate in a different position than the outlet.



One drain channel... four grate sizes, four finishes, all the possibilities




Watch video





Watch video

www.qmdrain.com • info@qm-us.com



One drain channel...
reversible grate,
one size,
four finishes,
all the possibilities.



DelmarSeries

SUPREME.

Inspired by the wild imagination of the seas



Material: 100% Stainless Steel Marine 316.

Finishes: Satin, Polished, Satin Gold, & Matte Black.

Base: houses an internal rail system which enables the grate to be in a different position than the base and the outlet, allowing you to center your drain without moving the existing pipe.

Grate: can be cut to your specific length and multiple drains can be aligned to accommodate multiple outlets.

Outlet: 2" Offset Location.

Accessories included:



Installation Instruction Pages: 136-138
Specification Pages: 104-105

Clampdown flange drain is not included in kit.
If needed see page 99



| | Length | SKU | MSRP |
|----------|--------|--------------|----------|
| Satin | 30" | 33.800.30 ST | \$ 775 |
| | 40" | 33.800.40 ST | \$ 875 |
| | 50" | 33.800.50 ST | \$ 955 |
| | 60" | 33.800.60 ST | \$ 1,045 |
| Polished | 30" | 33.800.30 PS | \$ 775 |
| | 40" | 33.800.40 PS | \$ 875 |
| | 50" | 33.800.50 PS | \$ 955 |
| | 60" | 33.800.60 PS | \$ 1,045 |
| Gold | 30" | 33.800.30 GD | \$ 840 |
| | 40" | 33.800.40 GD | \$ 955 |
| | 50" | 33.800.50 GD | \$ 1,045 |
| | 60" | 33.800.60 GD | \$ 1,145 |
| Black | 30" | 33.800.30 BK | \$ 840 |
| | 40" | 33.800.40 BK | \$ 955 |
| | 50" | 33.800.50 BK | \$ 1,045 |
| | 60" | 33.800.60 BK | \$ 1,145 |



DelmarSeries

SUPREME.

Tile-in⁺



Material: 100% Stainless Steel Marine 316.

Finishes: Satin, Polished, Satin Gold, & Matte Black.

Base: houses an internal rail system which enables the grate to be in a different position than the base and the outlet, allowing you to center your drain without moving the existing pipe.

Grate: reversible, universal “one size fits all”.

Outlet: 2” Offset Location.

Accessories included:



Hair Strainer



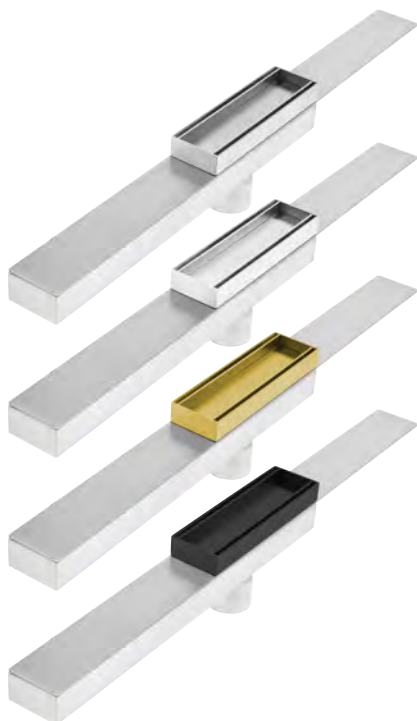
Threaded Nipple



Key

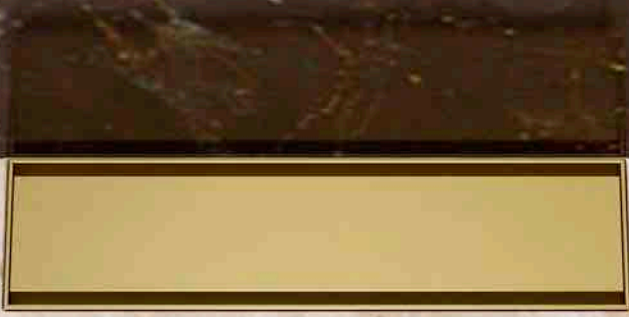
Installation Instruction Page: 140
Specification Pages: 106-107

Clampdown flange drain is not included in kit.
If needed see page 99



| | Length | SKU | MSRP |
|-----------------|--------|--------------|--------|
| Satin | 8" | 33.810.08 ST | \$ 550 |
| Polished | 8" | 33.810.08 PS | \$ 595 |
| Gold | 8" | 33.810.08 GD | \$ 595 |
| Black | 8" | 33.810.08 BK | \$ 595 |

NEW Supreme Tile-in⁺
One drain, two designs

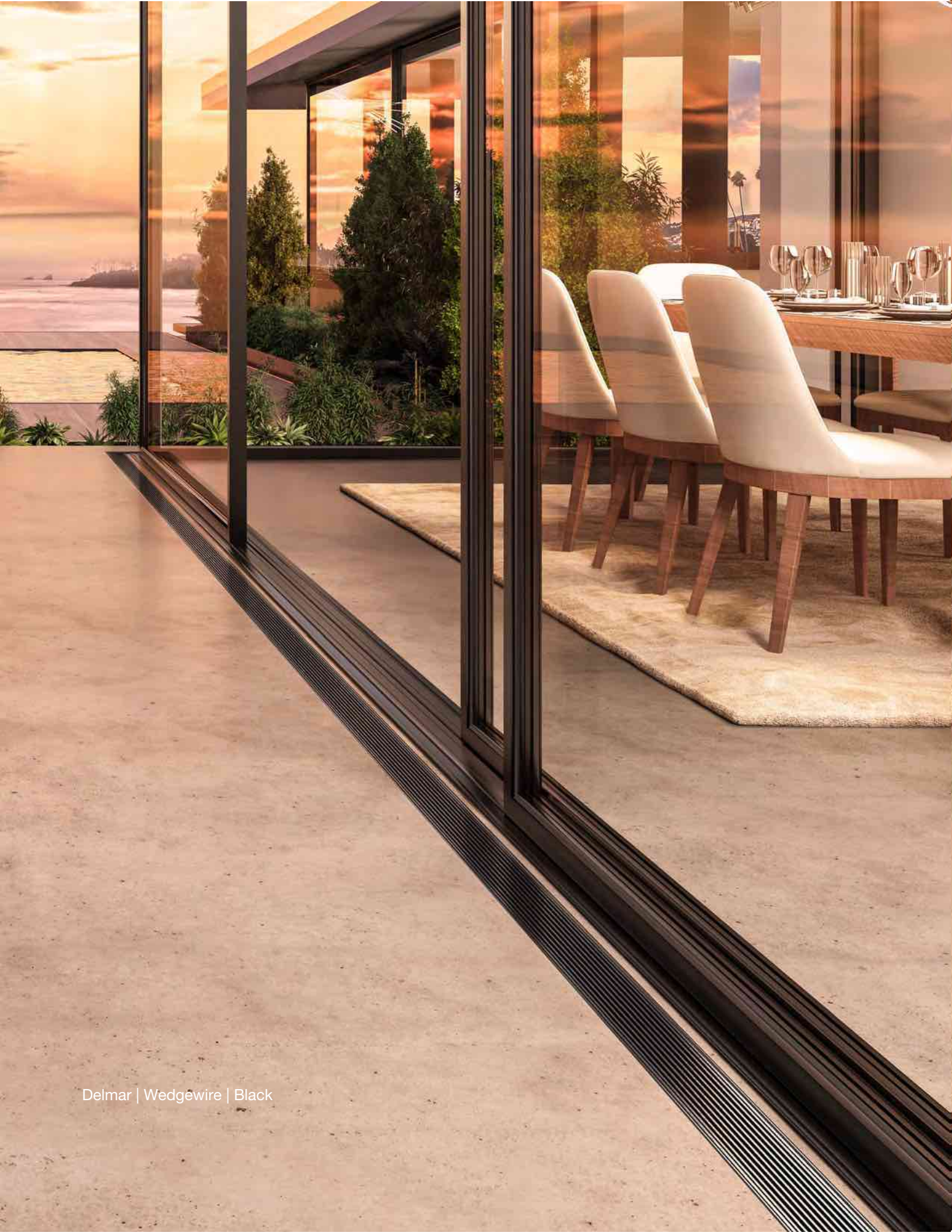




Adjustable Linear Drain



Delmar | Wedgewire | Satin



Delmar | Wedgewire | Black

Delmar Series Adjustable Linear Drain

Wedgewire



Satin, Polished & Black

Perforated



Satin & Polished

Mist (Tile-in)

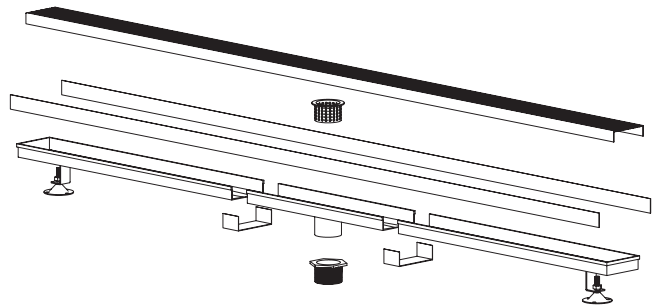


Satin & Polished

Sizes Available: 36", 48", 60", 72", & 96"

Kit Includes: Base, Grate, Trim, Outlet, Threaded Nipple, Hair Strainer, Sealant, Adjustable Feet, Lifting Key and Stainless Steel Cutting Blade.

Note: For Indoor and Outdoor use. Create any length by connecting multiple kits.





Frame prevents damage to the grout when the grate is removed.

Base length can be adjusted and outlet placed on site.

Trims cover the edge of the base, so the joints are not visible.

Joiners used to attach base and outlet.

2" or 3" High Flow Outlet pipe, can be placed anywhere on the base.

Threaded Nipple with gasket used to install the drain into the flange, helps adjust the height and threads into most 2" or 3" ABS, PVC, and Cast Iron Flanges.

Hair Strainer fits inside the drain to collect hair and other debris, preventing clogged pipes. Also, keeps insects and small rodents from coming up through the sewage system.

Leveling Feet keep the drain channel in the correct position and level during installation.

Lifting Key assists with grate removal.

Corner* needed when connecting two bases in a 90 degree angle.
 (*) Corner accessory sold separately



Watch video



DelmarSeries

WEDGEWIRE

Influenced by naturally exposing forms and pushing raw materials beyond the wire



Adjustable Length

Material: 100% Stainless Steel Marine 316.

Finishes: Satin, Polished, & Matte Black.

Base: Pre-sloped low profile channel, adjust length on site. Create any length by connecting multiple kits.

Grate: can be cut to your specific length.

Outlet: 2" or 3" High Flow. Adjust outlet position on site.

Installation Instruction Pages: 142-143
Specification Pages: 108-111
Base Kits and Components Pages: 156-157

Clampdown flange drain is not included in kit. If needed see page 99

Accessories included:



Kit with 2" Outlet

Kit with 3" HF Outlet



| | Length | SKU | MSRP | SKU | MSRP |
|----------|--------|--------------|----------|----------------|----------|
| Satin | 36" | 33.610.36 ST | \$ 885 | 33.610.36HF ST | \$ 950 |
| | 48" | 33.610.48 ST | \$ 1,085 | 33.610.48HF ST | \$ 1,050 |
| | 60" | 33.610.60 ST | \$ 1,305 | 33.610.60HF ST | \$ 1,370 |
| | 72" | 33.610.72 ST | \$ 1,565 | 33.610.72HF ST | \$ 1,695 |
| | 96" | 33.610.96 ST | \$ 2,130 | 33.610.96HF ST | \$ 2,260 |
| Polished | 36" | 33.610.36 PS | \$ 940 | 33.610.36HF PS | \$ 1,095 |
| | 48" | 33.610.48 PS | \$ 1,345 | 33.610.48HF PS | \$ 1,410 |
| | 60" | 33.610.60 PS | \$ 1,595 | 33.610.60HF PS | \$ 1,660 |
| | 72" | 33.610.72 PS | \$ 1,925 | 33.610.72HF PS | \$ 2,055 |
| | 96" | 33.610.96 PS | \$ 2,655 | 33.610.96HF PS | \$ 2,785 |
| Black | 36" | 33.610.36 BK | \$ 1,040 | 33.610.36HF BK | \$ 1,105 |
| | 48" | 33.610.48 BK | \$ 1,265 | 33.610.48HF BK | \$ 1,330 |
| | 60" | 33.610.60 BK | \$ 1,520 | 33.610.60HF BK | \$ 1,585 |
| | 72" | 33.610.72 BK | \$ 2,040 | 33.610.72HF BK | \$ 2,170 |
| | 96" | 33.610.96 BK | \$ 2,490 | 33.610.96HF BK | \$ 2,620 |

Note: Choose the kit with equal or greater size than the length wanted; for longer length drain connect kits to build the desired length.



DelmarSeries

PERFORATED

Inspired by the thought of life connecting the dots



Adjustable Length

Material: 100% Stainless Steel Marine 316.

Finishes: Satin & Polished.

Base: Pre-sloped low profile channel, adjust length on site. Create any length by connecting multiple kits.

Grate: can be cut to your specific length.

Outlet: 2" or 3" High Flow. Adjust outlet position on site.

Installation Instruction Pages: 142-143
Specification Pages: 108-111
Base Kits and Components Pages: 156-157

Clampdown flange drain is not included in kit. If needed see page 99

Accessories included:



Kit with 2" Outlet

Kit with 3" HF Outlet

| | Length | SKU | MSRP | SKU | MSRP |
|----------|--------|--------------|----------|----------------|----------|
| Satin | 36" | 33.620.36 ST | \$ 505 | 33.620.36HF ST | \$ 570 |
| | 48" | 33.620.48 ST | \$ 635 | 33.620.48HF ST | \$ 700 |
| | 60" | 33.620.60 ST | \$ 750 | 33.620.60HF ST | \$ 815 |
| | 72" | 33.620.72 ST | \$ 1,000 | 33.620.72HF ST | \$ 1,065 |
| | 96" | 33.620.96 ST | \$ 1,285 | 33.620.96HF ST | \$ 1,350 |
| Polished | 36" | 33.620.36 PS | \$ 515 | 33.620.36HF PS | \$ 580 |
| | 48" | 33.620.48 PS | \$ 640 | 33.620.48HF PS | \$ 705 |
| | 60" | 33.620.60 PS | \$ 765 | 33.620.60HF PS | \$ 830 |
| | 72" | 33.620.72 PS | \$ 1,175 | 33.620.72HF PS | \$ 1,240 |
| | 96" | 33.620.96 PS | \$ 1,360 | 33.620.96HF PS | \$ 1,425 |

Note: Choose the kit with equal or greater size than the length wanted; for longer length drain connect kits to build the desired length.



DelmarSeries

MIST (Tile-in)

A tribute to the way water disguises everything around us in nature



Adjustable Length

Material: 100% Stainless Steel Marine 316.

Finishes: Satin, Polished, & Matte Black.

Base: Pre-sloped low profile channel, adjust length on site. Create any length by connecting multiple kits.

Grate: can be cut to your specific length.

Outlet: 2" or 3" High Flow. Adjust outlet position on site.

Installation Instruction Pages: 142-143
Specification Pages: 108-111
Base Kits and Components Pages: 156-157

Clampdown flange drain is not included in kit. If needed see page 99

Accessories included:



Kit with 2" Outlet

Kit with 3" HF Outlet

| | Length | SKU | MSRP | SKU | MSRP |
|----------|--------|--------------|----------|----------------|----------|
| Satin | 36" | 33.630.36 ST | \$ 680 | 33.630.36HF ST | \$ 745 |
| | 48" | 33.630.48 ST | \$ 865 | 33.630.48HF ST | \$ 930 |
| | 60" | 33.630.60 ST | \$ 1,025 | 33.630.60HF ST | \$ 1,090 |
| | 72" | 33.630.72 ST | \$ 1,495 | 33.630.72HF ST | \$ 1,560 |
| | 96" | 33.630.96 ST | \$ 1,695 | 33.630.96HF ST | \$ 1,760 |
| Polished | 36" | 33.630.36 PS | \$ 695 | 33.630.36HF PS | \$ 745 |
| | 48" | 33.630.48 PS | \$ 880 | 33.630.48HF PS | \$ 930 |
| | 60" | 33.630.60 PS | \$ 1,040 | 33.630.60HF PS | \$ 1,090 |
| | 72" | 33.630.72 PS | \$ 1,460 | 33.630.72HF PS | \$ 1,560 |
| | 96" | 33.630.96 PS | \$ 1,660 | 33.630.96HF PS | \$ 1,760 |



Note: Choose the kit with equal or greater size than the length wanted; for longer length drain connect kits to build the desired length.

Delmar Series \ Standard Linear Drain

Wedgewire



Black, Satin, & Polished

Delta



Satin & Polished

Mist
(Tile-in)



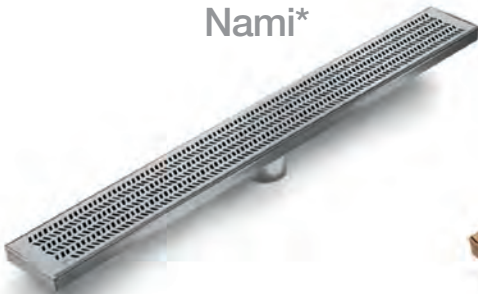
Satin & Black

Kai*



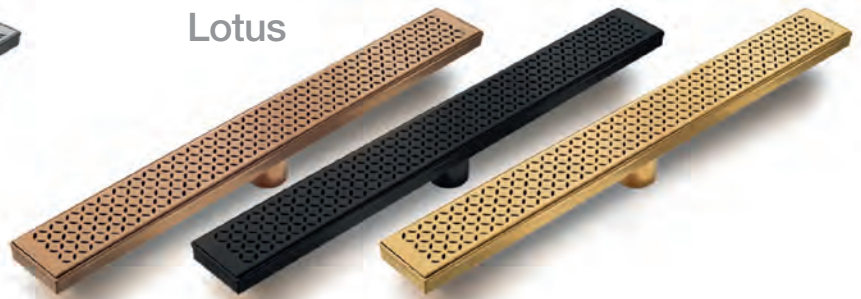
Satin

Nami*



Satin

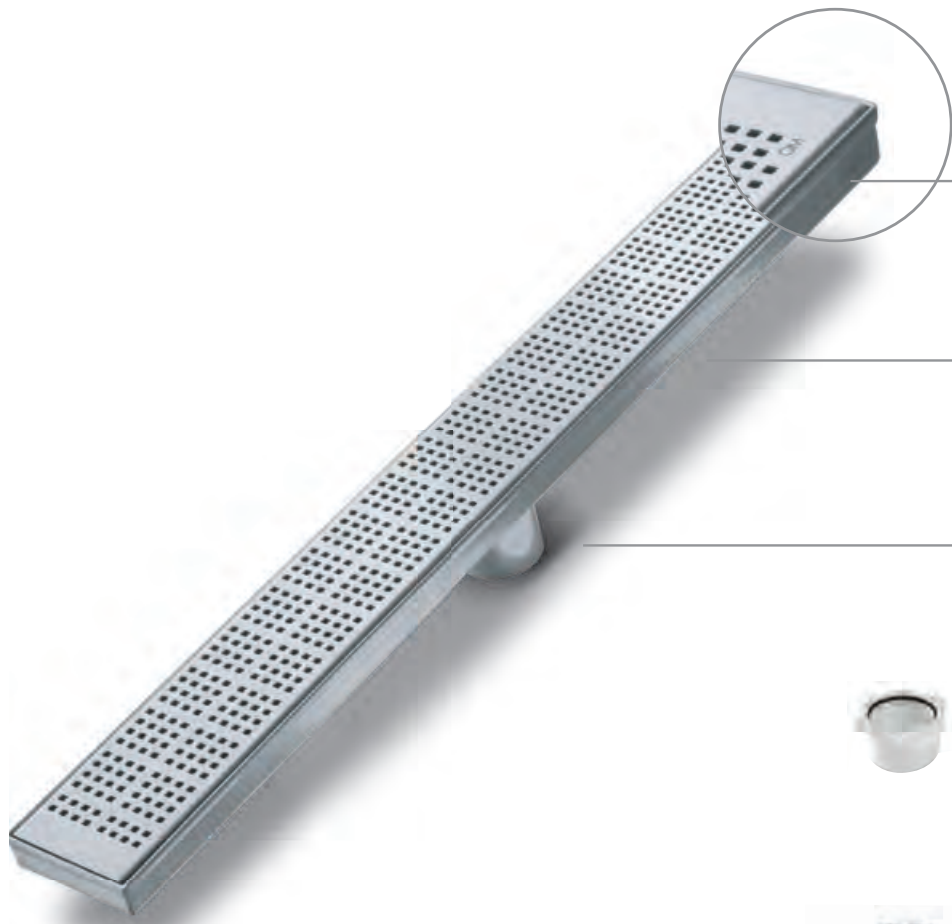
Lotus



Bronze, Black,
& Satin Gold

Sizes Available: 24", 28", 32", 36", 48", & 58"

(*) Sizes Available 24" to 36"



Frame prevents damage to the grout when the grate is removed.

Base pre-pitched drain base eliminates the pooling of water. Allows water to flow properly to outlet.

Outlet centrally located 2" outlet pipe.

Threaded Nipple with gasket used to install the drain into the flange, helps adjust the height and threads into most 2" ABS, PVC, and Cast Iron Flanges.



Hair Strainer fits inside the drain to collect hair and other debris, preventing clogged pipes. Also, keeps insects and small rodents from coming up through the sewage system.



Leveling Feet keep the drain channel in the correct position and level during installation.



Lifting Key assists with grate removal.



BASES AVAILABLE

Plain Edge is intended for use with standard waterproofing methods. Waterproofing is installed before the drain base is connected.

Flange Edge and **Side Outlet Flange Edge** are intended for use with modern waterproofing methods (liquid or fabric type waterproofing). Waterproofing is installed over the edge of the drain base.



Watch video



Delmar | Wedgewire | Satin



Delmar | Delta | Polished

DelmarSeries

WEDGEWIRE

Influenced by naturally exposing forms and pushing raw materials beyond the wire



Standard Length

Material: Stainless Steel Marine 316.

Finishes: Satin, Polished, & Matte Black.

Base Options: Plain Edge, Flange Edge, and Side Outlet Flange Edge.

Outlet: 2" Center Location.

Installation Instruction Pages: 144-145
Specification Pages: 112-117
Components Pages: 154-155

Accessories included:



Hair Strainer



Threaded Nipple



Adjustable Feet



Key

Clampdown flange drain is not included in kit.
If needed see page 99

PLAIN EDGE BASE



| | Length | SKU | MSRP |
|----------|--------|--------------|----------|
| Satin | 24" | 33.700.24 ST | \$ 650 |
| | 28" | 33.700.28 ST | \$ 705 |
| | 32" | 33.700.32 ST | \$ 775 |
| | 36" | 33.700.36 ST | \$ 840 |
| | 48" | 33.700.48 ST | \$ 1,050 |
| Polished | 58" | 33.700.58 ST | \$ 1,195 |
| | 24" | 33.700.24 PS | \$ 735 |
| | 28" | 33.700.28 PS | \$ 810 |
| | 32" | 33.700.32 PS | \$ 905 |
| | 36" | 33.700.36 PS | \$ 985 |
| Black | 48" | 33.700.48 PS | \$ 1,310 |
| | 58" | 33.700.58 PS | \$ 1,485 |
| | 24" | 33.700.24 BK | \$ 790 |
| | 28" | 33.700.28 BK | \$ 865 |
| | 32" | 33.700.32 BK | \$ 960 |
| | 36" | 33.700.36 BK | \$1,045 |
| | 48" | 33.700.48 BK | \$ 1,345 |
| | 58" | 33.700.58 BK | \$ 1,545 |

DelmarSeries

WEDGEWIRE

FLANGE EDGE BASE



| | Length | SKU | MSRP |
|----------|--------|---------------|----------|
| Satin | 24" | 33.700.24F ST | \$ 740 |
| | 28" | 33.700.28F ST | \$ 805 |
| | 32" | 33.700.32F ST | \$ 890 |
| | 36" | 33.700.36F ST | \$ 955 |
| | 48" | 33.700.48F ST | \$ 1,190 |
| | 58" | 33.700.58F ST | \$ 1,390 |
| Polished | 24" | 33.700.24F PS | \$ 825 |
| | 28" | 33.700.28F PS | \$ 910 |
| | 32" | 33.700.32F PS | \$ 1,020 |
| | 36" | 33.700.36F PS | \$ 1,100 |
| | 48" | 33.700.48F PS | \$ 1,450 |
| | 58" | 33.700.58F PS | \$ 1,680 |
| Black | 24" | 33.700.24F BK | \$ 825 |
| | 28" | 33.700.28F BK | \$ 910 |
| | 32" | 33.700.32F BK | \$ 1,020 |
| | 36" | 33.700.36F BK | \$ 1,100 |
| | 48" | 33.700.48F BK | \$ 1,450 |
| | 58" | 33.700.58F BK | \$ 1,680 |

SIDE OUTLET FLANGE EDGE BASE



| | Length | SKU | MSRP |
|----------|--------|-----------------|----------|
| Satin | 24" | 33.700.24FSO ST | \$ 790 |
| | 28" | 33.700.28FSO ST | \$ 860 |
| | 32" | 33.700.32FSO ST | \$ 940 |
| | 36" | 33.700.36FSO ST | \$ 1,020 |
| | 48" | 33.700.48FSO ST | \$ 1,250 |
| | 58" | 33.700.58FSO ST | \$ 1,465 |
| Polished | 24" | 33.700.24FSO PS | \$ 875 |
| | 28" | 33.700.28FSO PS | \$ 965 |
| | 32" | 33.700.32FSO PS | \$ 1,070 |
| | 36" | 33.700.36FSO PS | \$ 1,165 |
| | 48" | 33.700.48FSO PS | \$ 1,510 |
| | 58" | 33.700.58FSO PS | \$ 1,755 |
| Black | 24" | 33.700.24FSO BK | \$ 875 |
| | 28" | 33.700.28FSO BK | \$ 965 |
| | 32" | 33.700.32FSO BK | \$ 1,070 |
| | 36" | 33.700.36FSO BK | \$ 1,165 |
| | 48" | 33.700.48FSO BK | \$ 1,510 |
| | 58" | 33.700.58FSO BK | \$ 1,755 |

DelmarSeries

DELTA

Inspired by the strong and determined way a river flows into the ocean



Standard Length

Material: Stainless Steel Marine 316.

Finishes: Satin & Polished.

Base Options: Plain Edge, Flange Edge, and Side Outlet Flange Edge.

Outlet: 2" Center Location.

Installation Instruction Pages: 144-145

Specification Pages: 112-117

Components Pages: 154-155

Accessories included:



Hair Strainer



Threaded Nipple



Adjustable Feet



Key

Clampdown flange drain is not included in kit. If needed see page 99

PLAIN EDGE BASE



| | Length | SKU | MSRP |
|----------|--------|--------------|--------|
| satin | 24" | 33.300.24 ST | \$ 355 |
| | 28" | 33.300.28 ST | \$ 390 |
| | 32" | 33.300.32 ST | \$ 425 |
| | 36" | 33.300.36 ST | \$ 460 |
| | 48" | 33.300.48 ST | \$ 585 |
| | 58" | 33.300.58 ST | \$ 650 |
| Polished | 24" | 33.300.24 PS | \$ 370 |
| | 28" | 33.300.28 PS | \$ 400 |
| | 32" | 33.300.32 PS | \$ 445 |
| | 36" | 33.300.36 PS | \$ 480 |
| | 48" | 33.300.48 PS | \$ 610 |
| | 58" | 33.300.58 PS | \$ 675 |

DelmarSeries

DELTA

FLANGE EDGE BASE

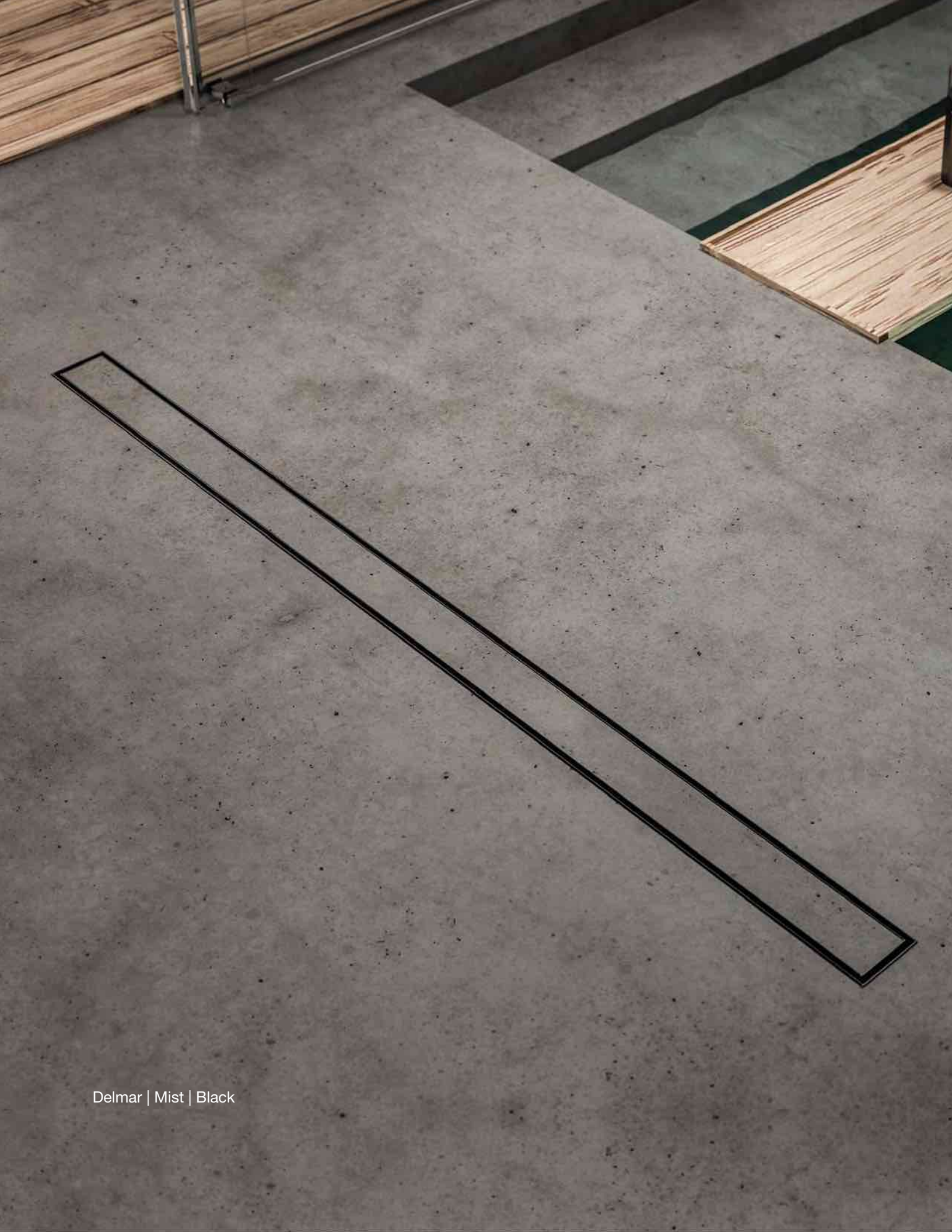


| | Length | SKU | MSRP |
|----------|--------|---------------|--------|
| Satin | 24" | 33.300.24F ST | \$ 445 |
| | 28" | 33.300.28F ST | \$ 490 |
| | 32" | 33.300.32F ST | \$ 540 |
| | 36" | 33.300.36F ST | \$ 575 |
| | 48" | 33.300.48F ST | \$ 725 |
| | 58" | 33.300.58F ST | \$ 845 |
| Polished | 24" | 33.300.24F PS | \$ 460 |
| | 28" | 33.300.28F PS | \$ 500 |
| | 32" | 33.300.32F PS | \$ 560 |
| | 36" | 33.300.36F PS | \$ 595 |
| | 48" | 33.300.48F PS | \$ 750 |
| | 58" | 33.300.58F PS | \$ 870 |

SIDE OUTLET FLANGE EDGE BASE



| | Length | SKU | MSRP |
|----------|--------|-----------------|--------|
| Satin | 24" | 33.300.24FSO ST | \$ 495 |
| | 28" | 33.300.28FSO ST | \$ 545 |
| | 32" | 33.300.32FSO ST | \$ 590 |
| | 36" | 33.300.36FSO ST | \$ 640 |
| | 48" | 33.300.48FSO ST | \$ 785 |
| | 58" | 33.300.58FSO ST | \$ 920 |
| Polished | 24" | 33.300.24FSO PS | \$ 510 |
| | 28" | 33.300.28FSO PS | \$ 555 |
| | 32" | 33.300.32FSO PS | \$ 610 |
| | 36" | 33.300.36FSO PS | \$ 660 |
| | 48" | 33.300.48FSO PS | \$ 810 |
| | 58" | 33.300.58FSO PS | \$ 945 |



Delmar | Mist | Black



Delmar | Kai | Satin

DelmarSeries

MIST (Tile-in)

A tribute to the way water disguises everything around us in nature



Standard Length

Material: Stainless Steel Marine 316.

Finishes: Satin & Matte Black.

Base Options: Plain Edge, Flange Edge, and Side Outlet Flange Edge.

Outlet: 2" Center Location.

Installation Instruction Pages: 144-145

Specification Pages: 112-117

Components Pages: 154-155

Accessories included:



Hair Strainer



Threaded Nipple



Adjustable Feet



Key

Clampdown flange drain is not included in kit.
If needed see page 99

PLAIN EDGE BASE



| | Length | SKU | MSRP |
|-------|--------|--------------|--------|
| Satin | 24" | 33.500.24 ST | \$ 465 |
| | 28" | 33.500.28 ST | \$ 495 |
| | 32" | 33.500.32 ST | \$ 525 |
| | 36" | 33.500.36 ST | \$ 565 |
| | 48" | 33.500.48 ST | \$ 695 |
| | 58" | 33.500.58 ST | \$ 825 |
| Black | 24" | 33.500.24 BK | \$ 565 |
| | 28" | 33.500.28 BK | \$ 595 |
| | 32" | 33.500.32 BK | \$ 625 |
| | 36" | 33.500.36 BK | \$ 665 |
| | 48" | 33.500.48 BK | \$ 795 |
| | 58" | 33.500.58 BK | \$ 930 |

DelmarSeries

MIST (Tile-in)

FLANGE EDGE BASE



| | Length | SKU | MSRP |
|-------|--------|---------------|--------|
| Satin | 24" | 33.500.24F ST | \$ 440 |
| | 28" | 33.500.28F ST | \$ 485 |
| | 32" | 33.500.32F ST | \$ 545 |
| | 36" | 33.500.36F ST | \$ 580 |
| | 48" | 33.500.48F ST | \$ 745 |
| | 58" | 33.500.58F ST | \$ 880 |

SIDE OUTLET FLANGE EDGE BASE

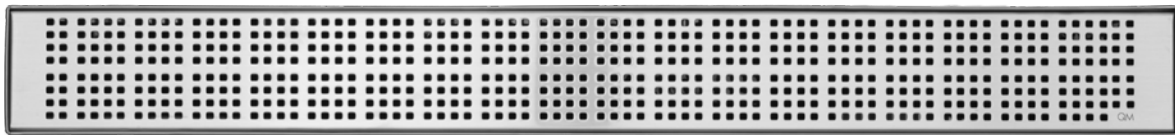


| | Length | SKU | MSRP |
|-------|--------|-----------------|--------|
| Satin | 24" | 33.500.24FSO ST | \$ 490 |
| | 28" | 33.500.28FSO ST | \$ 540 |
| | 32" | 33.500.32FSO ST | \$ 595 |
| | 36" | 33.500.36FSO ST | \$ 645 |
| | 48" | 33.500.48FSO ST | \$ 805 |
| | 58" | 33.500.58FSO ST | \$ 955 |

DelmarSeries

KAI

From the word sea in Hawaiian, Kai pays tribute to the tranquility and vastness of open sea



Standard Length

Material: Stainless Steel Marine 316.

Finishes: Satin.

Base Options: Plain Edge, Flange Edge, and Side Outlet Flange Edge.

Outlet: 2" Center Location.

Installation Instruction Pages: 144-145

Specification Pages: 112-117

Components Pages: 154-155

Accessories included:



Hair Strainer



Threaded Nipple



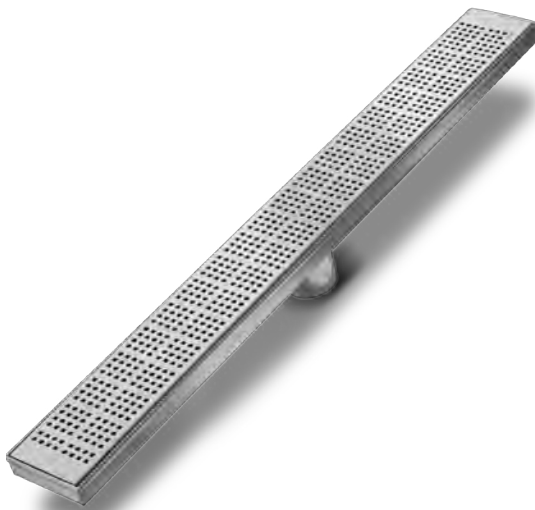
Adjustable Feet



Key

Clampdown flange drain is not included in kit.
If needed see page 99

PLAIN EDGE BASE



| | Length | SKU | MSRP |
|-------|--------|--------------|--------|
| Satin | 24" | 33.200.24 ST | \$ 355 |
| | 28" | 33.200.28 ST | \$ 390 |
| | 32" | 33.200.32 ST | \$ 425 |
| | 36" | 33.200.36 ST | \$ 460 |

DelmarSeries

KAI

FLANGE EDGE BASE



| | Length | SKU | MSRP |
|-------|--------|---------------|--------|
| Satin | 24" | 33.200.24F ST | \$ 445 |
| | 28" | 33.200.28F ST | \$ 490 |
| | 32" | 33.200.32F ST | \$ 540 |
| | 36" | 33.200.36F ST | \$ 575 |

SIDE OUTLET FLANGE EDGE BASE



| | Length | SKU | MSRP |
|-------|--------|-----------------|--------|
| Satin | 24" | 33.200.24FSO ST | \$ 495 |
| | 28" | 33.200.28FSO ST | \$ 545 |
| | 32" | 33.200.32FSO ST | \$ 590 |
| | 36" | 33.200.36FSO ST | \$ 640 |



Delmar | Nami | Satin

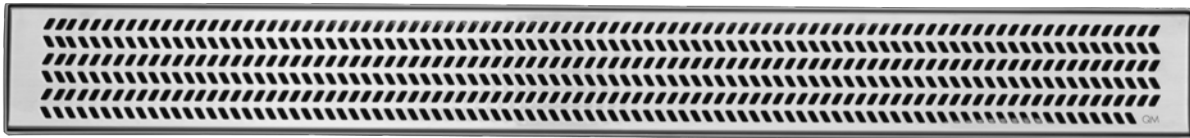


Delmar | Lotus | Bronze

DelmarSeries

NAMI

Named after the Japanese word for wave and inspired by beautiful ripple marks on a sandy beach



Standard Length

Material: Stainless Steel Marine 316.

Finishes: Satin.

Base Options: Plain Edge, Flange Edge, and Side Outlet Flange Edge.

Outlet: 2" Center Location.

Installation Instruction Pages: 144-145

Specification Pages: 112-117

Components Pages: 154-155

Accessories included:



Hair Strainer



Threaded Nipple



Adjustable Feet



Key

Clampdown flange drain is not included in kit.
If needed see page 99

PLAIN EDGE BASE



| | Length | SKU | MSRP |
|-------|--------|--------------|--------|
| Satin | 24" | 33.100.24 ST | \$ 355 |
| | 28" | 33.100.28 ST | \$ 390 |
| | 32" | 33.100.32 ST | \$ 425 |
| | 36" | 33.100.36 ST | \$ 460 |

DelmarSeries

NAMI

FLANGE EDGE BASE



| | Length | SKU | MSRP |
|-------|--------|---------------|--------|
| Satin | 24" | 33.100.24F ST | \$ 445 |
| | 28" | 33.100.28F ST | \$ 490 |
| | 32" | 33.100.32F ST | \$ 540 |
| | 36" | 33.100.36F ST | \$ 575 |

SIDE OUTLET FLANGE EDGE BASE



| | Length | SKU | MSRP |
|-------|--------|-----------------|--------|
| Satin | 24" | 33.100.24FSO ST | \$ 495 |
| | 28" | 33.100.28FSO ST | \$ 545 |
| | 32" | 33.100.32FSO ST | \$ 590 |
| | 36" | 33.100.36FSO ST | \$ 640 |

DelmarSeries

LOTUS

A design pure as a lotus, the most beautiful and exquisite flower to ever have grown in water



Standard Length

- Material:** Stainless Steel Marine 316.
- Finishes:** Bronze, Matte Black, & Satin Gold.
- Base Options:** Plain Edge, Flange Edge, and Side Outlet Flange Edge.
- Outlet:** 2" Center Location.

Installation Instruction Pages: 144-145
Specification Pages: 112-117
Components Pages: 154-155

Accessories included:



Hair Strainer



Threaded Nipple



Adjustable Feet



Key

Clampdown flange drain is not included in kit. If needed see page 99

PLAIN EDGE BASE

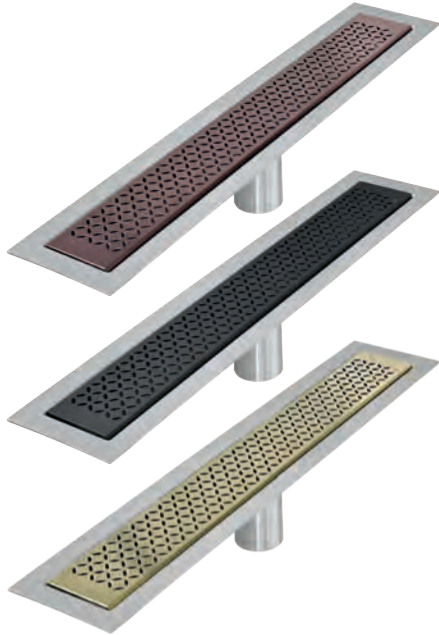


| | Length | SKU | MSRP |
|---------------|--------|--------------|--------|
| Bronze | 24" | 33.400.24 BZ | \$ 465 |
| | 28" | 33.400.28 BZ | \$ 515 |
| | 32" | 33.400.32 BZ | \$ 560 |
| | 36" | 33.400.36 BZ | \$ 605 |
| | 48" | 33.400.48 BZ | \$ 745 |
| | 58" | 33.400.58 BZ | \$ 865 |
| Black | 24" | 33.400.24 BK | \$ 465 |
| | 28" | 33.400.28 BK | \$ 515 |
| | 32" | 33.400.32 BK | \$ 560 |
| | 36" | 33.400.36 BK | \$ 605 |
| | 48" | 33.400.48 BK | \$ 745 |
| | 58" | 33.400.58 BK | \$ 865 |
| Gold | 24" | 33.400.24 GD | \$ 465 |
| | 28" | 33.400.28 GD | \$ 515 |
| | 32" | 33.400.32 GD | \$ 560 |
| | 36" | 33.400.36 GD | \$ 605 |
| | 48" | 33.400.48 GD | \$ 745 |
| | 58" | 33.400.58 GD | \$ 865 |

DelmarSeries

LOTUS

FLANGE EDGE BASE



| | Length | SKU | MSRP |
|---------------|--------|---------------|----------|
| Bronze | 24" | 33.400.24F BZ | \$ 500 |
| | 28" | 33.400.28F BZ | \$ 560 |
| | 32" | 33.400.32F BZ | \$ 615 |
| | 36" | 33.400.36F BZ | \$ 660 |
| | 48" | 33.400.48F BZ | \$ 850 |
| | 58" | 33.400.58F BZ | \$ 1,000 |
| Black | 24" | 33.400.24F BK | \$ 500 |
| | 28" | 33.400.28F BK | \$ 560 |
| | 32" | 33.400.32F BK | \$ 615 |
| | 36" | 33.400.36F BK | \$ 660 |
| | 48" | 33.400.48F BK | \$ 850 |
| | 58" | 33.400.58F BK | \$ 1,000 |
| Gold | 24" | 33.400.24F GD | \$ 500 |
| | 28" | 33.400.28F GD | \$ 560 |
| | 32" | 33.400.32F GD | \$ 615 |
| | 36" | 33.400.36F GD | \$ 660 |
| | 48" | 33.400.48F GD | \$ 850 |
| | 58" | 33.400.58F GD | \$ 1,000 |

SIDE OUTLET FLANGE EDGE BASE



| | Length | SKU | MSRP |
|---------------|--------|-----------------|----------|
| Bronze | 24" | 33.400.24FSO BZ | \$ 550 |
| | 28" | 33.400.28FSO BZ | \$ 615 |
| | 32" | 33.400.32FSO BZ | \$ 665 |
| | 36" | 33.400.36FSO BZ | \$ 725 |
| | 48" | 33.400.48FSO BZ | \$ 910 |
| | 58" | 33.400.58FSO BZ | \$ 1,075 |
| Black | 24" | 33.400.24FSO BK | \$ 550 |
| | 28" | 33.400.28FSO BK | \$ 615 |
| | 32" | 33.400.32FSO BK | \$ 665 |
| | 36" | 33.400.36FSO BK | \$ 725 |
| | 48" | 33.400.48FSO BK | \$ 910 |
| | 58" | 33.400.58FSO BK | \$ 1,075 |
| Gold | 24" | 33.400.24FSO GD | \$ 550 |
| | 28" | 33.400.28FSO GD | \$ 615 |
| | 32" | 33.400.32FSO GD | \$ 665 |
| | 36" | 33.400.36FSO GD | \$ 725 |
| | 48" | 33.400.48FSO GD | \$ 910 |
| | 58" | 33.400.58FSO GD | \$ 1,075 |

Delmar Series \ Square Drain

Nami



Satin

Mist
(Tile-in)



Satin

Kai*



Satin

Delta



Satin

Lotus



Bronze



Polished



Satin Gold



ORB/Black

Sizes Available: 4" x 4" & 5 3/4" x 5 3/4",
except Kai, which is also available in
8" x 8" with a 3" high flow outlet.



Frame prevents damage to the grout when the grate is removed.

Base pre-pitched drain eliminates the pooling of water. Allows water to flow properly to outlet.

Threaded Outlet fits into most 2" ABS, PVC, and Cast Iron Flanges.



Hair Strainer fits inside the drain to collect hair and other debris, preventing clogged pipes. Also, keeps insects and small rodents from coming up through the sewerage system.



Lifting Key assists with grate removal.



Watch video



DelmarSeries

DELTA

Inspired by the strong and determined way a river flows into the ocean



Center Drain

Material: Stainless Steel Marine 316.

Finishes: Satin & Polished.

Outlet: 2" Center Location.

Accessories included:



Hair Strainer



Key

Installation Instruction Pages: 146-147
Specification Pages: 118-119

Clampdown flange drain is not included in kit.
If needed see page 99



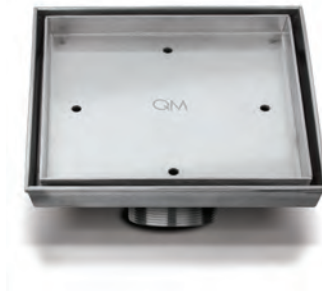
| | Size | SKU | MSRP |
|----------|-----------------|--------------|--------|
| Satin | 4" x 4" | 33.300.04 ST | \$ 125 |
| | 5 3/4" x 5 3/4" | 33.300.06 ST | \$ 165 |
| Polished | 4" x 4" | 33.300.04 PS | \$ 155 |
| | 5 3/4" x 5 3/4" | 33.300.06 PS | \$ 195 |



DelmarSeries

MIST (Tile-in)

A tribute to the way water disguises everything around us in nature



Center Drain

Material: Stainless Steel Marine 316.

Finishes: Satin.

Outlet: 2" Center Location.

Accessories included:



Hair Strainer



Key

Installation Instruction Pages: 146-147
Specification Pages: 118-119

Clampdown flange drain is not included in kit.
If needed see page 99



| | Size | SKU | MSRP |
|-------|-----------|--------------|--------|
| Satin | 4" x 4" | 33.500.04 ST | \$ 149 |
| | 5¼" x 5¼" | 33.500.06 ST | \$ 179 |



DelmarSeries

KAI

From the word sea in Hawaiian, Kai pays tribute to the tranquility and vastness of open sea



Center Drain

Material: Stainless Steel Marine 316.

Finishes: Satin.

Outlet: 2" Center Location, and 3" High Flow Outlet only for 8" x 8".

Accessories included:



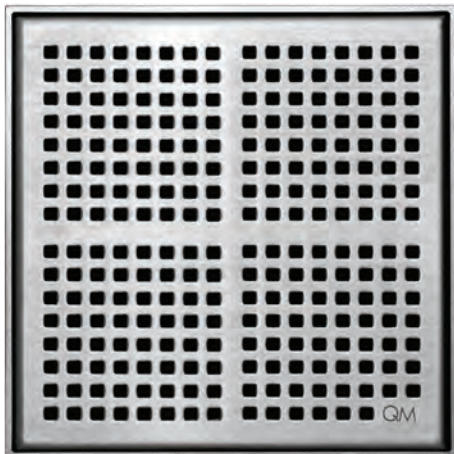
Hair Strainer



Key

Installation Instruction Pages: 146-147
Specification Pages: 118-119

Clampdown flange drain is not included in kit.
If needed see page 99



| | Size | SKU | MSRP |
|-------|-----------------|----------------|--------|
| Satin | 4" x 4" | 33.200.04 ST | \$ 125 |
| | 5 3/4" x 5 3/4" | 33.200.06 ST | \$ 165 |
| | 8" x 8" | 33.200.08HF ST | \$ 215 |



DelmarSeries

NAMI

Named after the Japanese word for wave and inspired by beautiful ripple marks on a sandy beach



Center Drain

Material: Stainless Steel Marine 316.

Finishes: Satin.

Outlet: 2" Center Location.

Accessories included:



Hair Strainer



Key

Installation Instruction Pages: 146-147
Specification Pages: 118-119

Clampdown flange drain is not included in kit.
If needed see page 99



| | Size | SKU | MSRP |
|-------|-----------|--------------|--------|
| Satin | 4" x 4" | 33.100.04 ST | \$ 125 |
| | 5¾" x 5¾" | 33.100.06 ST | \$ 165 |



DelmarSeries

LOTUS

A design pure as a lotus, the most beautiful and exquisite flower to ever have grown in water



Center Drain

Material: Stainless Steel Marine 316.

Finishes: Satin Gold, Matte Black, & Bronze.

Outlet: 2" Center Location.

Accessories included:



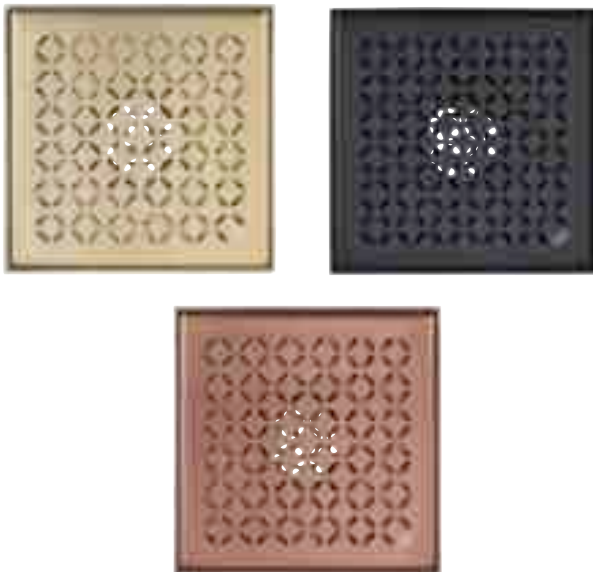
Hair Strainer



Key

Installation Instruction Pages: 146-147
Specification Pages: 118-119

Clampdown flange drain is not included in kit.
If needed see page 99



| | Size | SKU | MSRP |
|--------|-----------------|--------------|--------|
| Gold | 4" x 4" | 33.400.04 GD | \$ 199 |
| | 5 3/4" x 5 3/4" | 33.400.06 GD | \$ 295 |
| Black | 4" x 4" | 33.400.04 BK | \$ 199 |
| | 5 3/4" x 5 3/4" | 33.400.06 BK | \$ 295 |
| Bronze | 4" x 4" | 33.400.04 BZ | \$ 199 |
| | 5 3/4" x 5 3/4" | 33.400.06 BZ | \$ 295 |



#MoreThanDesign



Lagos Series

Lagos drains are built with the perfect combination of a 100% **Marine Grade 316 Stainless Steel** frame and grate, which guarantees the best durability and resistance to corrosion produced by cleaning and water softener chemicals and a base made of **ABS/PVC plastic**, known for being tough, rigid, & chemical resistant.

Lagos is our most cost-effective series of center and linear drains that allows you to enjoy a unique modern design, available in:

- Adjustable Linear Drains
- Linear Drain
- Center Drains



+
**ABS/PVC
Base**

Lagos Series

Adjustable Linear Drain

Wedgewire



Satin, Polished, & Black

Perforated



Satin & Polished

Mist (Tile-in)

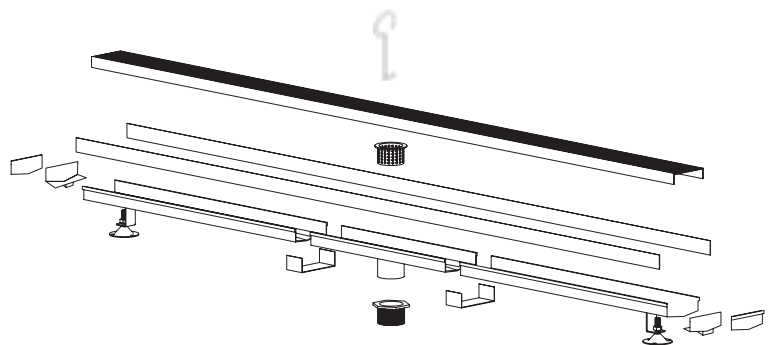


Satin & Polished

Sizes Available: 36", 48", 60", 72", & 96"

Kit Includes: Base, Grate, Trim, Joiners, Outlet, Threaded Nipple, Hair Strainer, Adjustable Feet, Lifting Key and Stainless Steel Cutting Blade.

Note: For Indoor and Outdoor use. Create any length by connecting multiple kits.





Frame prevents damage to the grout when the grate is removed.

Base length can be adjusted and outlet placed on site.

Joiners used to attach base and outlet.

2" or 3" High Flow Outlet pipe, can be placed anywhere on the base.

Trims cover the edge of the base, so the joints are not visible.



Threaded Nipple with gasket used to install the drain into the flange, helps adjust the height and threads into most 2" or 3" ABS, PVC, and Cast Iron Flanges.



Hair Strainer fits inside the drain to collect hair and other debris, preventing clogged pipes. Also, keeps insects and small rodents from coming up through the sewage system.



Leveling Feet keep the drain channel in the correct position and level during installation.



Lifting Key assists with grate removal.



Corner* needed when connecting two bases in a 90 degrees angle.
 (*) Corner accessory sold separately



+
PVC Base



Watch video



LagosSeries

WEDGEWIRE

Influenced by naturally exposing forms and pushing raw materials beyond the wire



Adjustable Length

Material: Grate and edge trims are made with stainless steel 316. Channel is made with PVC.

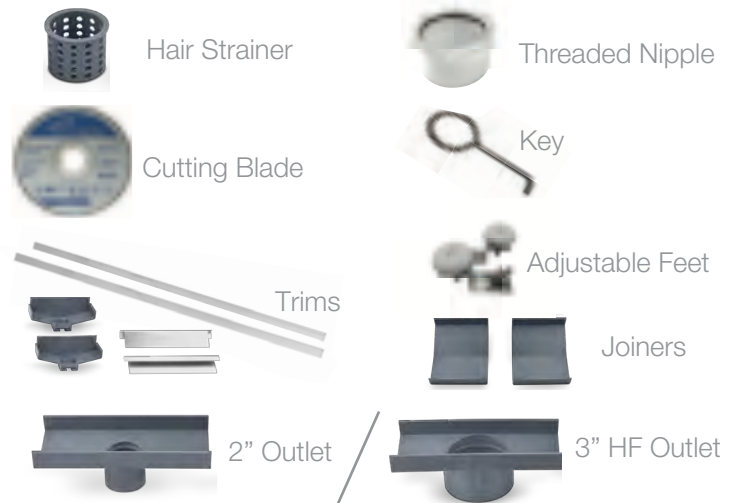
Finishes: Satin, Polished, & Matte Black.

Base: Pre-sloped low profile channel, adjust length on site. Create any length by connecting multiple kits.

Grate: can be cut to your specific length.

Outlet: 2" or 3" High Flow. Adjust outlet position on site.

Accessories included:



Installation Instruction Pages: 148-149
Specification Pages: 120-123
Base Kits and Components Pages: 156-157

Clampdown flange drain is not included in kit. If needed see page 99



Kit with 2" Outlet

Kit with 3" HF Outlet

| | Length | SKU | MSRP | SKU | MSRP |
|----------|--------|--------------|----------|----------------|----------|
| Satin | 36" | 88.610.36 ST | \$ 720 | 88.610.36HF ST | \$ 785 |
| | 48" | 88.610.48 ST | \$ 885 | 88.610.48HF ST | \$ 950 |
| | 60" | 88.610.60 ST | \$ 1,060 | 88.610.60HF ST | \$ 1,125 |
| | 72" | 88.610.72 ST | \$ 1,275 | 88.610.72HF ST | \$ 1,340 |
| | 96" | 88.610.96 ST | \$ 1,760 | 88.610.96HF ST | \$ 1,825 |
| Polished | 36" | 88.610.36 PS | \$ 865 | 88.610.36HF PS | \$ 930 |
| | 48" | 88.610.48 PS | \$ 1,145 | 88.610.48HF PS | \$ 1,210 |
| | 60" | 88.610.60 PS | \$ 1,350 | 88.610.60HF PS | \$ 1,415 |
| | 72" | 88.610.72 PS | \$ 1,635 | 88.610.72HF PS | \$ 1,700 |
| | 96" | 88.610.96 PS | \$ 2,285 | 88.610.96HF PS | \$ 2,350 |
| Black | 36" | 88.610.36 BK | \$ 875 | 88.610.36HF BK | \$ 940 |
| | 48" | 88.610.48 BK | \$ 1,065 | 88.610.48HF BK | \$ 1,130 |
| | 60" | 88.610.60 BK | \$ 1,275 | 88.610.60HF BK | \$ 1,340 |
| | 72" | 88.610.72 BK | \$ 1,750 | 88.610.72HF BK | \$ 1,815 |
| | 96" | 88.610.96 BK | \$ 2,120 | 88.610.96HF BK | \$ 2,185 |

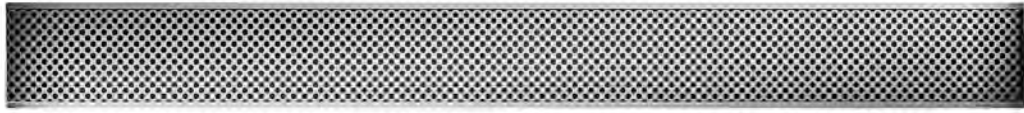
Note: Choose the kit with equal or greater size than the length wanted; for longer length drain connect kits to build the desired length.



LagosSeries

PERFORATED

Inspired by the thought of life connecting the dots



Adjustable Length

Material: Grate and edge trims are made with stainless steel 316. Channel is made with PVC.

Finishes: Satin & Polished.

Base: Pre-sloped low profile channel, adjust length on site. Create any length by connecting multiple kits.

Grate: can be cut to your specific length.

Outlet: 2" or 3" High Flow. Adjust outlet position on site.

Accessories included:



Hair Strainer



Threaded Nipple



Cutting Blade



Key



Trims



Adjustable Feet



Joiners



2" Outlet



3" HF Outlet

Installation Instruction Pages: 148-149
Specification Pages: 120-123
Base Kits and Components Pages: 156-157

Clampdown flange drain is not included in kit. If needed see page 99

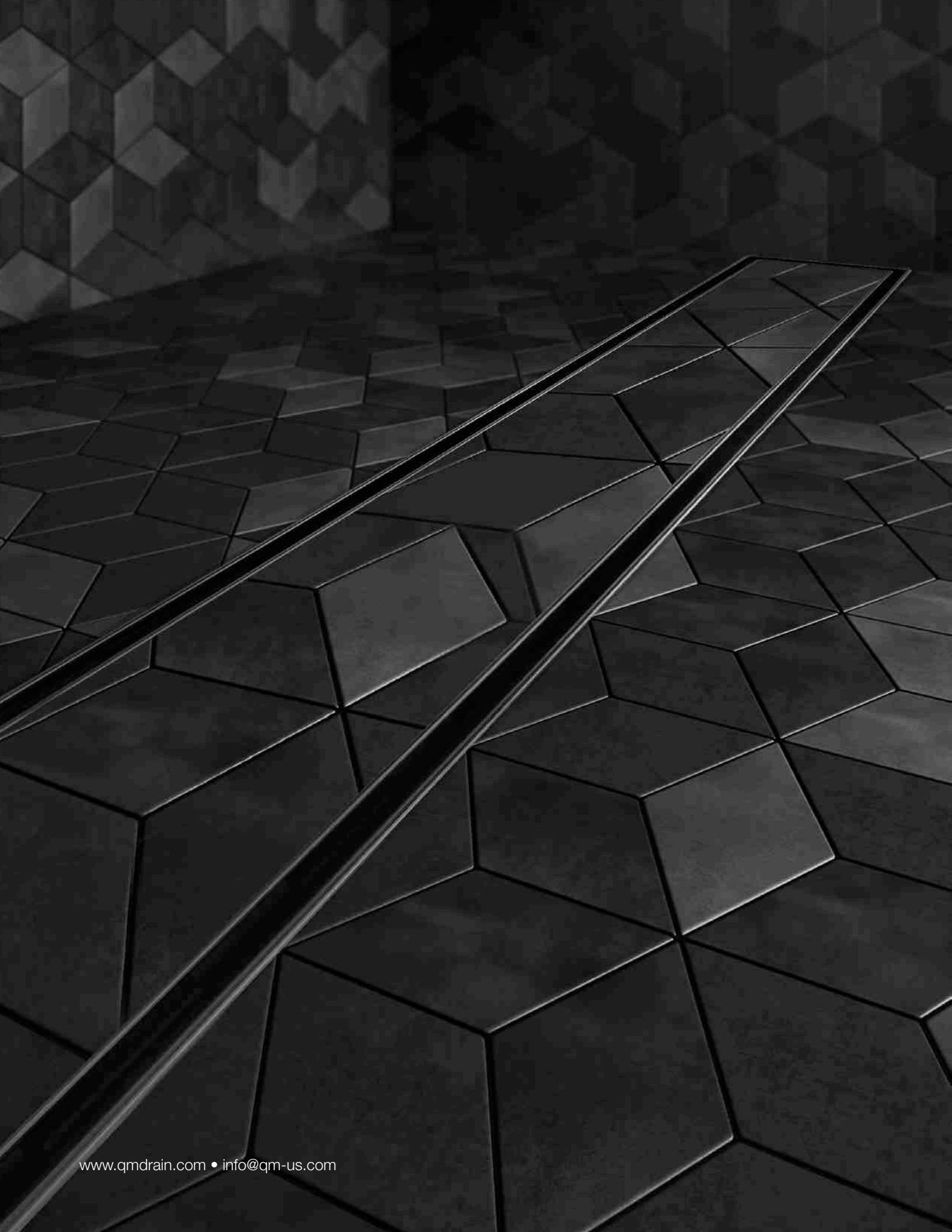


Kit with 2" Outlet

Kit with 3" HF Outlet

| | Length | SKU | MSRP | SKU | MSRP |
|----------|--------|--------------|--------|----------------|--------|
| Satin | 36" | 88.620.36 ST | \$ 340 | 88.620.36HF ST | \$ 405 |
| | 48" | 88.620.48 ST | \$ 435 | 88.620.48HF ST | \$ 500 |
| | 60" | 88.620.60 ST | \$ 505 | 88.620.60HF ST | \$ 570 |
| | 72" | 88.620.72 ST | \$ 645 | 88.620.72HF ST | \$ 710 |
| | 96" | 88.620.96 ST | \$ 850 | 88.620.96HF ST | \$ 915 |
| Polished | 36" | 88.620.36 PS | \$ 350 | 88.620.36HF PS | \$ 415 |
| | 48" | 88.620.48 PS | \$ 440 | 88.620.48HF PS | \$ 505 |
| | 60" | 88.620.60 PS | \$ 520 | 88.620.60HF PS | \$ 585 |
| | 72" | 88.620.72 PS | \$ 820 | 88.620.72HF PS | \$ 885 |
| | 96" | 88.620.96 PS | \$ 925 | 88.620.96HF PS | \$ 990 |

Note: Choose the kit with equal or greater size than the length wanted; for longer length drain connect kits to build the desired length.



LagosSeries

MIST (Tile-in)

A tribute to the way water disguises everything around us in nature



Adjustable Length

Material: Grate and edge trims are made with stainless steel 316. Channel is made with PVC.

Finishes: Satin & Polished.

Base: Pre-sloped low profile channel, adjust length on site. Create any length by connecting multiple kits.

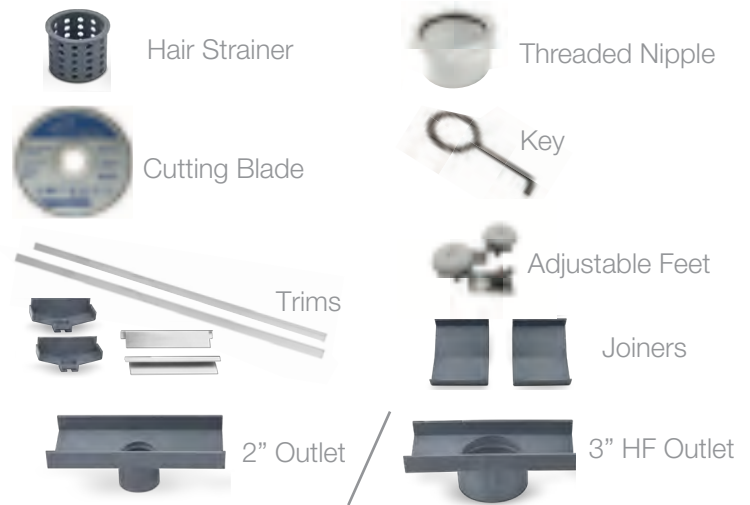
Grate: can be cut to your specific length.

Outlet: 2" or 3" High Flow. Adjust outlet position on site.

Installation Instruction Pages: 148-149
Specification Pages: 120-123
Base Kits and Components Pages: 156-157

Clampdown flange drain is not included in kit. If needed see page 99

Accessories included:

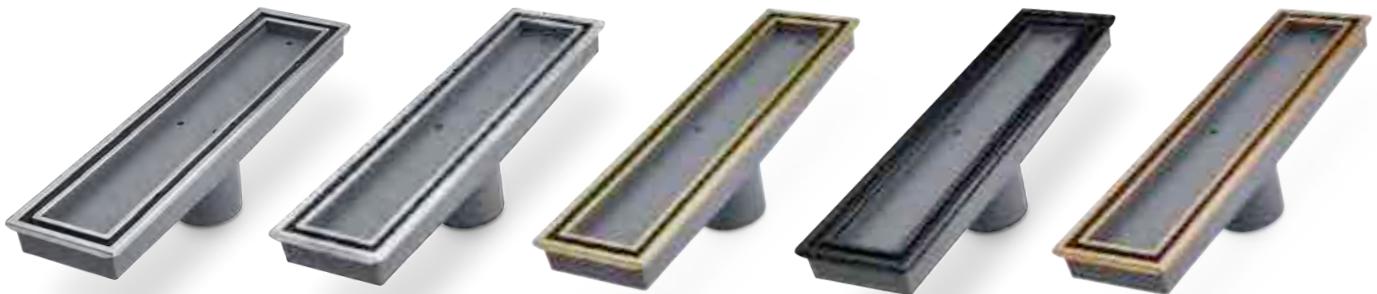


| | | Kit with 2" Outlet | | Kit with 3" HF Outlet | |
|----------|--------|--------------------|----------|-----------------------|----------|
| | Length | SKU | MSRP | SKU | MSRP |
| Satin | 36" | 88.630.36 ST | \$ 515 | 88.630.36HF ST | \$ 580 |
| | 48" | 88.630.48 ST | \$ 665 | 88.630.48HF ST | \$ 730 |
| | 60" | 88.630.60 ST | \$ 780 | 88.630.60HF ST | \$ 845 |
| | 72" | 88.630.72 ST | \$ 1,140 | 88.630.72HF ST | \$ 1,205 |
| | 96" | 88.630.96 ST | \$ 1,260 | 88.630.96HF ST | \$ 1,325 |
| Polished | 36" | 88.630.36 PS | \$ 515 | 88.630.36HF PS | \$ 580 |
| | 48" | 88.630.48 PS | \$ 665 | 88.630.48HF PS | \$ 730 |
| | 60" | 88.630.60 PS | \$ 780 | 88.630.60HF PS | \$ 845 |
| | 72" | 88.630.72 PS | \$ 1,140 | 88.630.72HF PS | \$ 1,205 |
| | 96" | 88.630.96 PS | \$ 1,260 | 88.630.96HF PS | \$ 1,325 |

Note: Choose the kit with equal or greater size than the length wanted; for longer length drain connect kits to build the desired length.

Lagos Series

Veil Linear Drain



Satin

Polished

Satin Gold

Black

Bronze

Size Available: 12" x 3"

Kit Includes: Base, Grate, Threaded Nipple, Hair Strainer and Lifting Key.




Frame prevents damage to the grout when the grate is removed.


Grate and Frame made in Stainless Steel 316.

Base is made in ABS Plastic. ABS is known for being a tough, rigid and chemical resistant material.

Outlet centrally located 2" outlet pipe.



Threaded Nipple with gasket used to install the drain into the flange, helps adjust the height and threads into most 2" ABS, PVC, and Cast Iron Flanges.



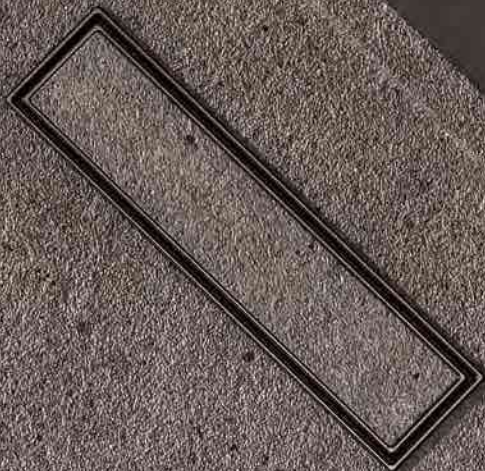
Hair Strainer fits inside the drain to collect hair and other debris, preventing clogged pipes. Also, keeps insects and small rodents from coming up through the sewage system.



Lifting Key assists with grate removal.



+
ABS Base



LagosSeries

VEIL (Tile-in)

A tribute to the way water disguises everything around us in nature



Standard Length

Material: Stainless Steel Marine 316 on all the edges in a PVC plastic body.

Base: Pre-sloped low profile.

Finishes: Satin, Polished, Bronze, Matte Black, & Satin Gold.

Outlet: 2" Center Location.

Accessories included:



Hair Strainer



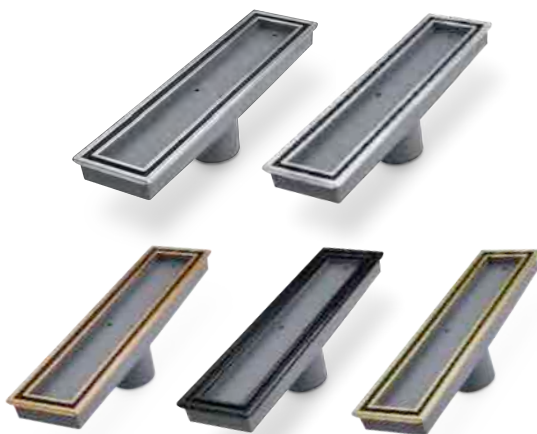
Key



Threaded Nipple

Installation Instruction Page: 144
Specification Page: 126

Clampdown flange drain is not included in kit.
If needed see page 99



| | Length | SKU | MRSP |
|------|--------|--------------|--------|
| Gold | 12" | 88.300.12 ST | \$ 95 |
| | 12" | 88.300.12 PS | \$ 95 |
| | 12" | 88.300.12 BZ | \$ 169 |
| | 12" | 88.300.12 BK | \$ 169 |
| | 12" | 88.300.12 GD | \$ 169 |





Lagos Series Square Drain

Mira



Polished



Satin



Satin Gold



Black



Bronze

Veil
(Tile-in)



Polished



Satin



Satin Gold



Black

Sizes Available: 4" x 4" or 5 3/4" x 5 3/4"



Frame prevents damage to the grout when the grate is removed.

Grate and Frame made in Stainless Steel 316.

Base is made in ABS Plastic. ABS is known for being a tough, rigid and chemical resistant material. Thread the QM drain base into the drain flange, adjust height as needed.

Threaded Outlet fits into most 2" ABS, PVC, and Cast Iron Flanges.



Hair Strainer fits inside the drain to collect hair and other debris, preventing clogged pipes. Also, keeps insects and small rodents from coming up through the sewage system.



Lifting Key assists with grate removal.



+
ABS Base



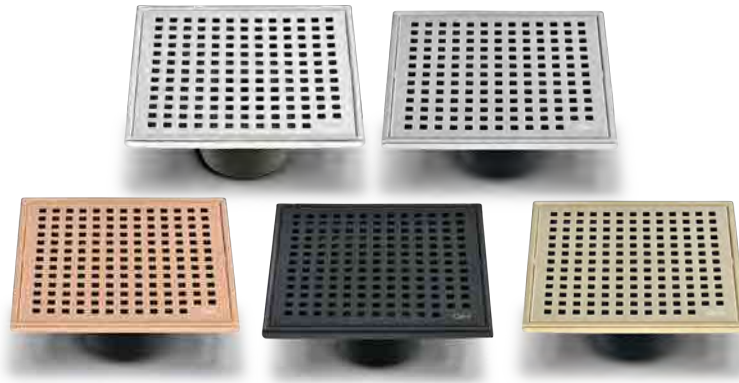
Watch video



LagosSeries

MIRA

True to its name, which means ocean in Sanskrit, Mira evokes the boundless beauty of the sea



Center Drain

Material: Frame and Grate made of 100% Marine Grade 316 Stainless Steel and a base made of ABS plastic.

Finishes: Satin, Polished, Bronze, Matte Black, & Satin Gold.

Outlet: 2" Center Location.

Accessories included:



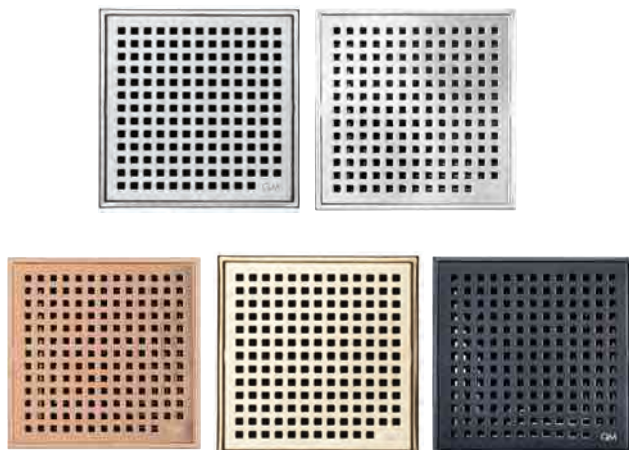
Hair Strainer



Key

Installation Instruction Pages: 146-147
Specification Pages: 124-125

Clampdown flange drain is not included in kit. If needed see page 99



| | Size | SKU | MSRP |
|----------|-----------|--------------|--------|
| Satin | 4" x 4" | 88.100.04 ST | \$ 55 |
| | 5¾" x 5¾" | 88.100.06 ST | \$ 95 |
| Polished | 4" x 4" | 88.100.04 PS | \$ 55 |
| | 5¾" x 5¾" | 88.100.06 PS | \$ 95 |
| Bronze | 4" x 4" | 88.100.04 BZ | \$ 95 |
| | 5¾" x 5¾" | 88.100.06 BZ | \$ 135 |
| Black | 4" x 4" | 88.100.04 BK | \$ 95 |
| | 5¾" x 5¾" | 88.100.06 BK | \$ 135 |
| Gold | 4" x 4" | 88.100.04 GD | \$ 95 |
| | 5¾" x 5¾" | 88.100.06 GD | \$ 135 |



LagosSeries

VEIL (Tile-in)

A tribute to the way water disguises everything around us in nature



Center Drain

Material: A grate made of 100% Marine Grade 316 Stainless Steel and a base made of ABS plastic.

Finishes: Satin, Polished, Matte Black, & Satin Gold.

Outlet: 2" Center Location.

Accessories included:



Hair Strainer



Key

Installation Instruction Pages: 146-147
Specification Pages: 124-125

Clampdown flange drain is not included in kit. If needed see page 99



| | Size | SKU | MSRP |
|----------|-----------|--------------|--------|
| Satin | 4" x 4" | 88.300.04 ST | \$ 65 |
| | 5¾" x 5¾" | 88.300.06 ST | \$ 75 |
| Polished | 4" x 4" | 88.300.04 PS | \$ 65 |
| | 5¾" x 5¾" | 88.300.06 PS | \$ 75 |
| Black | 4" x 4" | 88.300.04 BK | \$ 105 |
| | 5¾" x 5¾" | 88.300.06 BK | \$ 130 |
| Gold | 4" x 4" | 88.300.04 GD | \$ 105 |
| | 5¾" x 5¾" | 88.300.06 GD | \$ 130 |



#StainlessSteel304

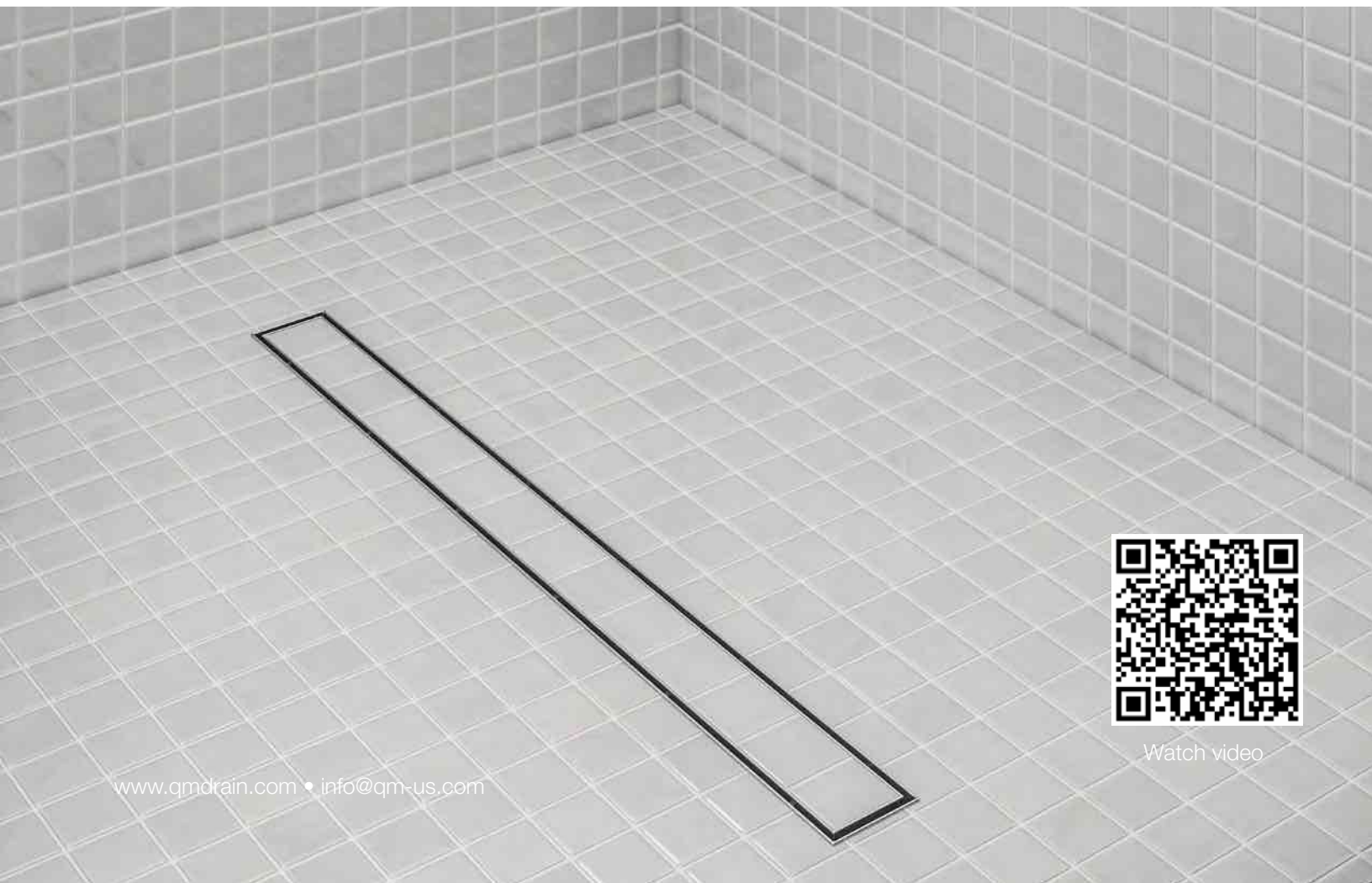
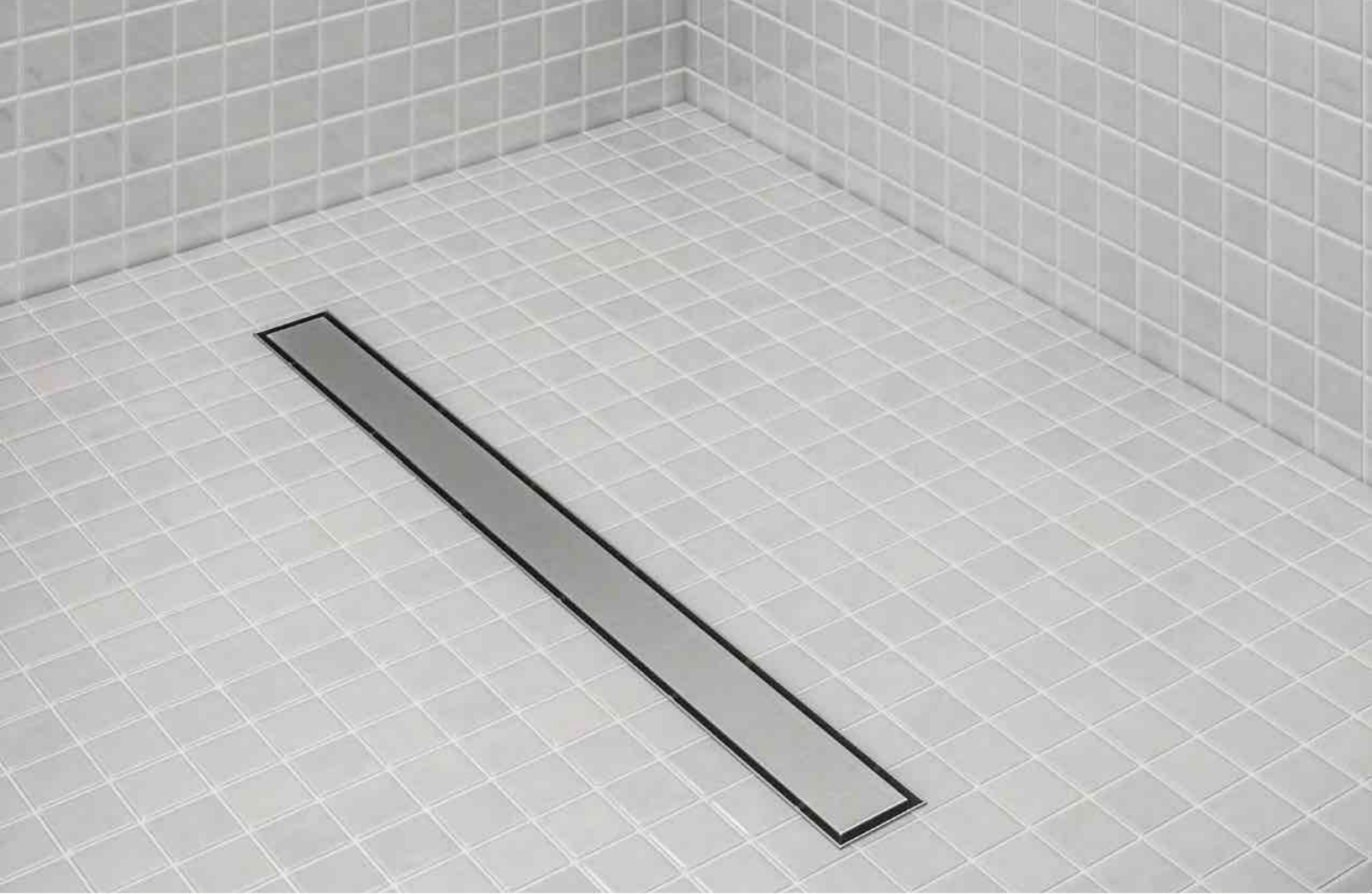
Bay Series

Made entirely of **Stainless Steel 304** for excellent corrosion resistance.

The Bay series offers a highly innovative 2-in-1 reversible grate system linear drain, Ria linear drain and Ria center drain.

Our export line Ria center drain is designed and created for the plumbing requirements of Latin America and the Caribbean.







Bay Series

2-in-1 Reversible Linear Drain



Standard Length

Material: Stainless Steel 304.

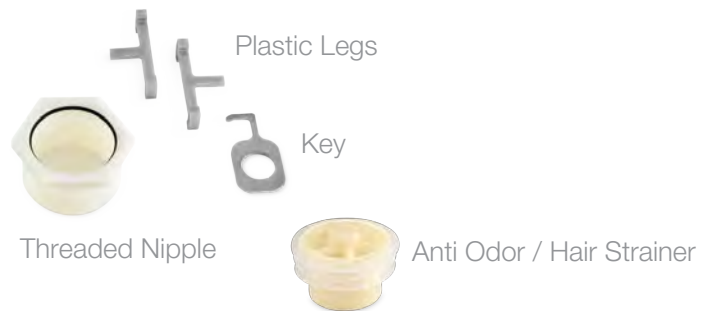
Base: Plain Edge pre-sloped low profile.

Finishes: Satin.

Outlet: 2" Center Location.

Note: Optional Debris Basket (SKU: 83.STR.L.SS) can be purchased separately and used in place of the Anti-Odor

Accessories Included:



Installation Instruction Page: 144
Specification Page: 127

Clampdown flange drain is not included in kit.
If needed see page 99

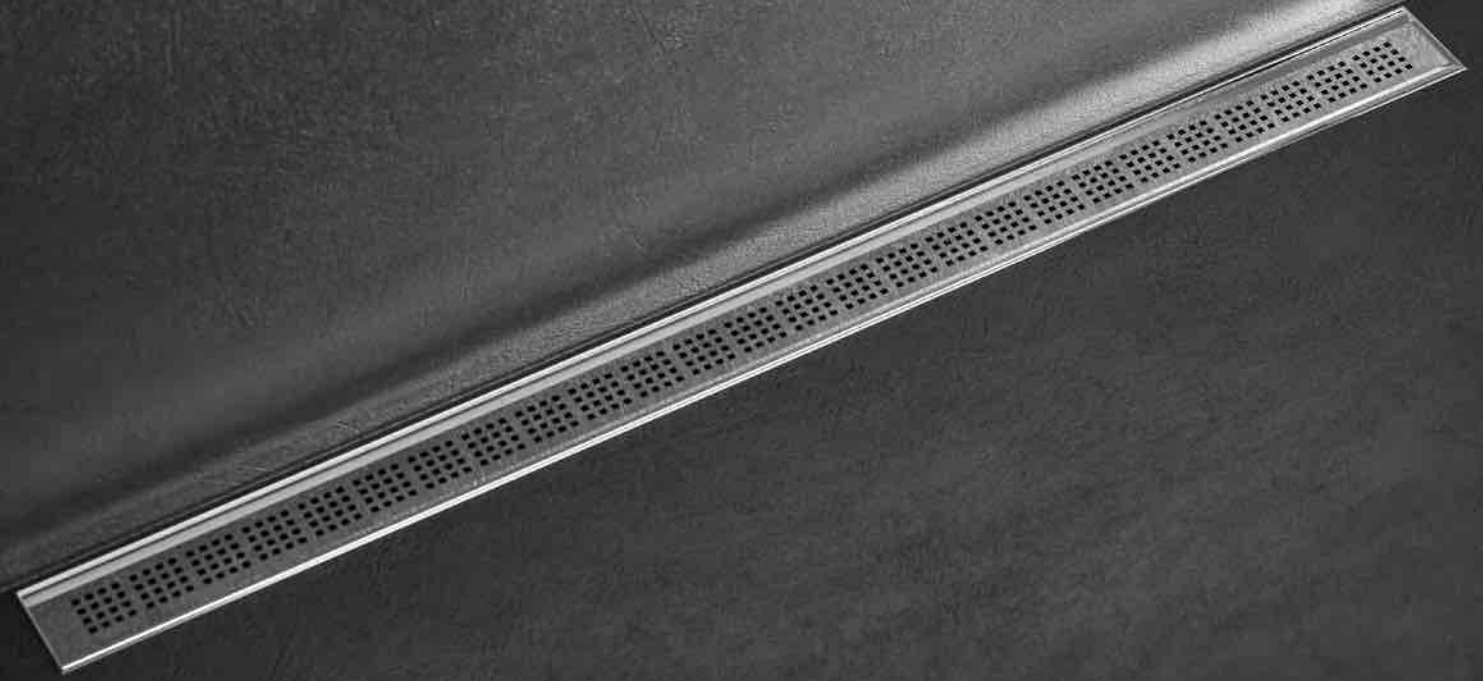
Smooth Stainless Steel



Tile-in



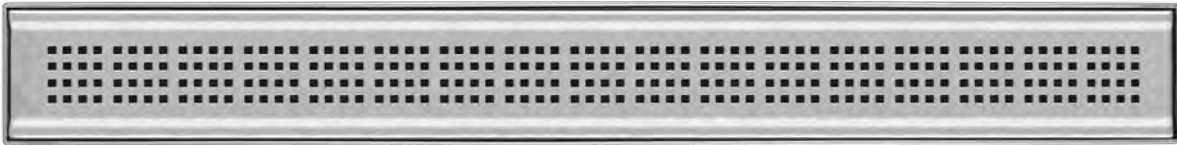
| | Length | SKU | MSRP |
|-------|--------|--------------|--------|
| Satin | 24" | 38.100.24 ST | \$ 195 |
| | 36" | 38.100.36 ST | \$ 250 |





Bay Series

RIA LINEAR DRAIN



Standard Length

Material: Stainless Steel 304.

Base: Plain Edge pre-sloped low profile.

Finishes: Satin, Polished, Satin Gold, & Matte Black.

Outlet: 2" Center Location.

Note: Optional Debris Basket (SKU: 83.STR.L.SS) can be purchased separately and used in place of the Anti-Odor

Accessories Included:



Key



Threaded Nipple



Anti Odor / Hair Strainer

Installation Instruction Page: 144
Specification Page: 128

Clampdown flange drain is not included in kit.
 If needed see page 99



| | Length | SKU | MSRP |
|----------|--------|--------------|--------|
| Satin | 24" | 38.200.24 ST | \$ 195 |
| | 36" | 38.200.36 ST | \$ 250 |
| Polished | 24" | 38.200.24 PS | \$ 205 |
| | 36" | 38.200.36 PS | \$ 265 |
| Gold | 24" | 38.200.24 GD | \$ 315 |
| | 36" | 38.200.36 GD | \$ 395 |
| Black | 24" | 38.200.24 BK | \$ 315 |
| | 36" | 38.200.36 BK | \$ 395 |

Installation Components



ABS/PVC Drain Flange 2"

SKU 83.FLG.2.ABS | SKU 83.FLG.2.PVC \$30

- Clamp down floor drain.
- 2" throat, 2" outlet.
- 6 1/4" overall diameter.
- Waterproofing: PVC/Vinyl liner, Lead/copper pan, Rubber liner, Fiberglass.



Cast Iron Drain Flange 2"

SKU 83.FLG.2.CI (No hub) | SKU 83.FLG.2.CI.IP (FIP) \$85

- Clamp down floor drain.
- 2" throat, 2" no hub outlet or FIP.
- 6 1/2" overall diameter.
- Waterproofing: PVC/Vinyl liner, Lead/copper pan, Hot mop, Rubber liner, Fiberglass.



Square Drain Flange 2"

SKU 83.SQFLG.2.PVC | 83.SQFLG.2.ABS \$65

83.SQFLG.2.CI \$85

- Allows easy installation of linear drains in close proximity to the wall.
- 4" x 3-1/2" x 2-3/4" Overall Dimensions
- Fits Shower Drains with 2" IPS Thread
- Clamp down floor drain
- 2" hub outlet 2" throat
- Has Weep Holes



3" x 4" PVC High Flow Drain Base with Clamping Ring

SKU 83.FLG.3.PVC \$115

- Clamp down floor drain.
- 3.5" throat, 4" outlet.
- 8.58" overall diameter.
- Waterproofing: PVC/Vinyl liner, Lead/copper pan, Rubber liner, Fiberglass.

Installation Components



QM Side Outlet Drain Flange with Integrated Threaded Adaptor

SKU 83.FLG.SO.2 \$18

- 3.31" throat, 2" outlet.
- Waterproofing: PVC/Vinyl liner, Lead/copper pan, Rubber liner, Fiberglass.



Adaptor for 2" Bonded Drain Flange

SKU 83.ADAPT.2BF \$8

QM Drain Adaptor allows you to use QM drains instead of Schluter® Grate when using their integrated bonding flange (Residential 2" Drain Outlet) or Wedi® Drain Grate with shower systems.



Adaptor Reducer

SKU 83.ADPT.2R \$4

Allows easy connection between a QM threaded drain outlet to the waste pipe.

- 3.15" x 2" Overall Dimensions
- No Hub Outlet Connection
- Made in ABS plastic



What does QM stand for?

QM stands for Quality Metal. As in the highest quality Stainless Steel 316 Marine Grade used in our drains.

Where in the floor should a linear shower drain be positioned?

Drain position is determined by the location of the existing plumbing and your design preference. The four most common placements/configurations are:

- Along the wall – Allows for the floor to sloped gently towards the wall where the drain is installed and increases the flow capacity as a small head of water can be created. Generally used only for linear drain installations.
- At the threshold – QM linear drains can be installed at the shower entrance to create a barrier-free or curbless shower.
- In the center – Based on your shower design or when existing plumbing cannot be moved.
- Multiple drains may be required for a higher capacity shower installation with multiple showerhead outlets and sprays. Drain units can be positioned against each wall or side by side along one wall. If the shower is a walk-through design, drains can be located at the entrance and exit.

Should the square drain be placed in the middle of the shower floor?

Not really, it is normally placed there because of existing plumbing location, what it is really important is that the floor is pitched in four directions towards the drain.

What is the water intake of the drains? The drainpipe is the defining factor in how much water can be eliminated. Most US residential plumbing installations use a 2" waste line, which provides a capacity of approximately 8 GPM and is sufficient to deal with most showerheads. If a higher flow rate is required multiple drains might be necessary. There are many variables that impact flow rate and drain performance, such as, showerhead flow, location, the size of the shower, the size of the drain, the location of the drain, the head of water, floor slope, etc. 70% of showerheads have a maximum capacity of less than 3 GPM. This value assumes no head of water above drain.

What is the gauge specification for each QM Drain series?

Gauge refers to the thickness of the material being used to manufacture the product.

Please review drain's specifications for detail gauge information.

What is the process that QM Drains uses to create the colored finishes on top of the Stainless Steel?

The PVD process is used to create the Satin Gold and Bronze finishes.

A coating process called Nano Technology is used to create the Black finish.

Both PVD and Nano Technology make stainless steel stronger against rust while creating aesthetically pleasing and elegant colors.

Why QM Drain uses Stainless Steel?

Stainless Steel is the optimum material on the market because it is 100% solid all the way through and 100% recyclable. Most Stainless Steel produced today has a recycled content of approximately 60% material. This means in the production of stainless steel, some of the most advanced technology in the market is being used to maximize production by controlling waste, materials, fuel use and pollution.

What is the difference between the Stainless Steel AISI 304 and AISI 316?

Stainless Steel 304 is exceptionally versatile and the most common stainless steel found in products for everyday use for the public. Its chemical composition, mechanical properties, welding ability and corrosion/oxidation resistance provides the best all-round performance at relatively lower cost. Stainless Steel 316 contains an added ingredient, 2 to 3% more molybdenum; this composition improves the corrosion resistance in many aggressive environments. The molybdenum addition ensures more resistance to pitting and crevice corrosion in saltwater and chloride-containing media. So the bottom line, when used in products that are exposed to water, it provides the longest life span possible.

Are QM Drains ADA compliant?

All QM Drains can be installed without a curb, barrier, or threshold to create a seamless look with easy accessibility to the wet area. To achieve an ideal installation, floor heights of the shower area (wet area) should be equal to the outside of the shower (dry area), and next room. Specific conditions will determine what is required.

Do I need to purchase anything extra for the installation drains?

All QM Drains kits include everything needed except Flange or Drain Body. If not provided, it needs to be added for standard waterproofing installation. Drain flanges are available in PVC, ABS and Cast Iron.

What type of waterproofing can I use with QM Drains?

Any Waterproofing technique can be used. All our drains with plain edge channel are recommended when traditional or standard waterproofing (PVC, Vinyl, Lead, Hot Mop, Copper or Fiberglass material) is intended to use. Drains with flange edge are recommended when modern waterproofing (liquid or fabric membrane) is intended to use.

What is the QM Drain warranty?

QM Drain offers limited lifetime warranty. Please refer to QM USA, Corp Terms and Conditions for the Limited Warranty, Disclaimer of Warranty, Returns Products and other Terms posted on QM's website located at: <http://qmdrain.com/>

Can I customize my drain size or finish?

Yes, please contact your local rep for a quote or contact us so we can direct you: info@qm-us.com

What other materials besides Stainless Steel does QM use?

Acrylonitrile Butadiene Styrene (ABS) and Poly Vinyl Chloride (PVC). ABS is used to form the base of our Lagos Series center Drain and PVC is used to form the channel of our Lagos adjustable linea drains.

Can I use QM Drains outside?

Yes, QM Drains are perfect for outdoor showers. We use Stainless Steel 316 Marine Grade which provides the most corrosion-resistance, making it ideal for exterior conditions.

How long does it take to receive my QM Drain?

All of our drains are in stock in our South Florida warehouse and ready to ship. Please see our website for the locations of the qualified dealers near you: <http://qmdrain.com/where-to-buy/dealers/>

What's the best way to clean my QM Drain?

QM drains are made of 316 or 304 stainless steel depending on the Series. Stainless Steel is nonporous, hygienic, rust-free, and extremely durable. Keeping your home's drains clean is an essential part of home maintenance duties.

When using your shower, all kinds of dirt like soap, shampoo, conditioner residues and hairs can quickly build up. Following the manufacture's specific maintenance requirement is key to avoiding such buildup and in keeping your shower drain in the best possible shape.

A clean drain ensures that water will drain quickly and effectively and minimizes any risks of puddle or flood. If you routinely clean your drain at least once a week, the process of maintaining for optimum performance will be easier. A well-maintained QM Drain product will last a lifetime in your shower.

Warning

Do not use sharp objects, scrubbing tools or abrasive cleaners or pads. They can remove and discolor the finish coating and cause damage to the finish.

What to use to clean?

Mix ¼ cup of white vinegar and ¾ cup of water or mix a little dish soap and water and use a soft cloth or sponge. Rinse well. Repeat weekly.

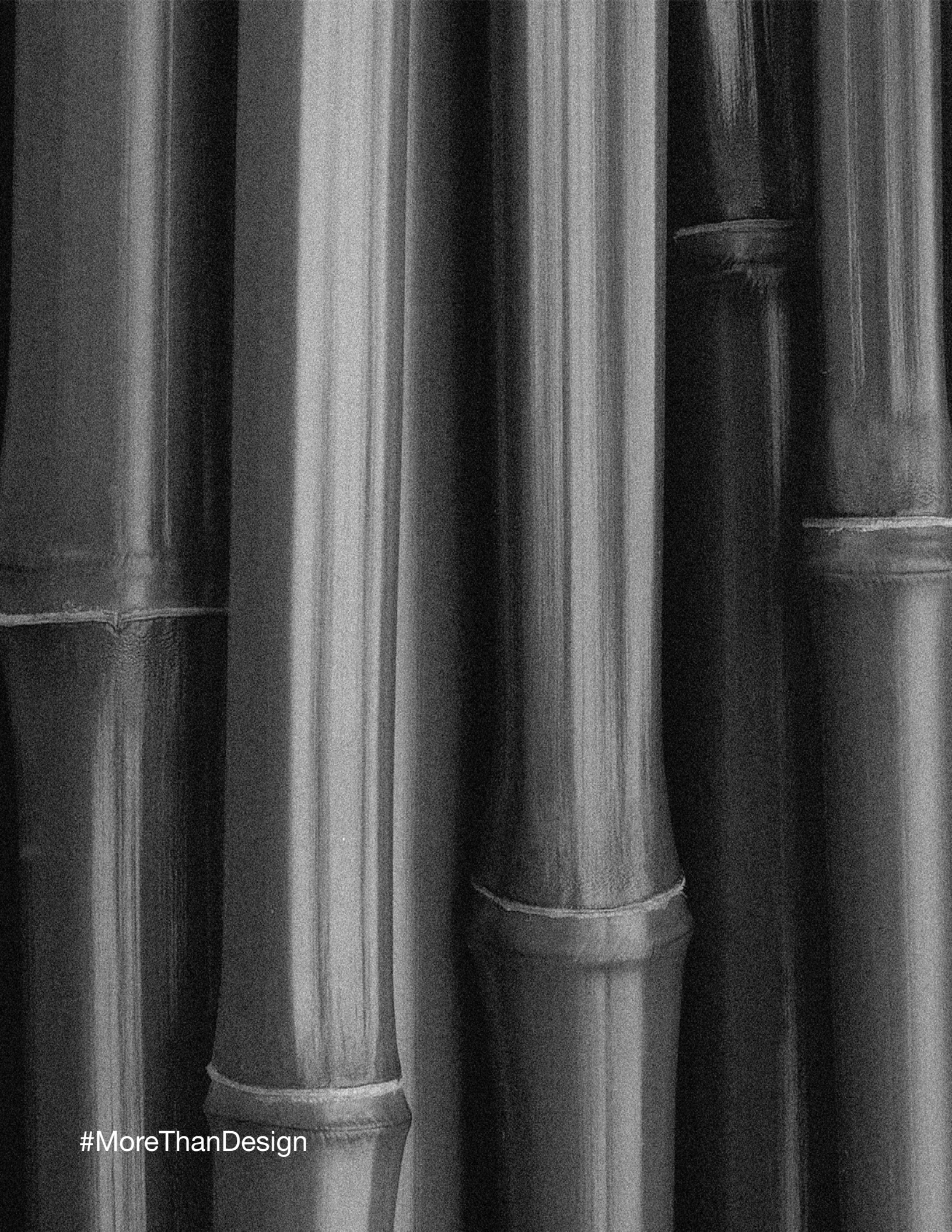
Follow these steps:

1. Remove the grate cover using the lifting key included for easy removal. NOTE: Be cautious not to scratch the surface when using the lifting key to remove grate.
2. Clean the grate on both sides.
3. Remove hair strainer and clean it.
4. Clean the channel. Use a soft brush if there is a lot of residue.
5. Rinse well

Can the drain get scratched? Yes, it can, if you rub hard or use sharp objects against the drain.

Remember

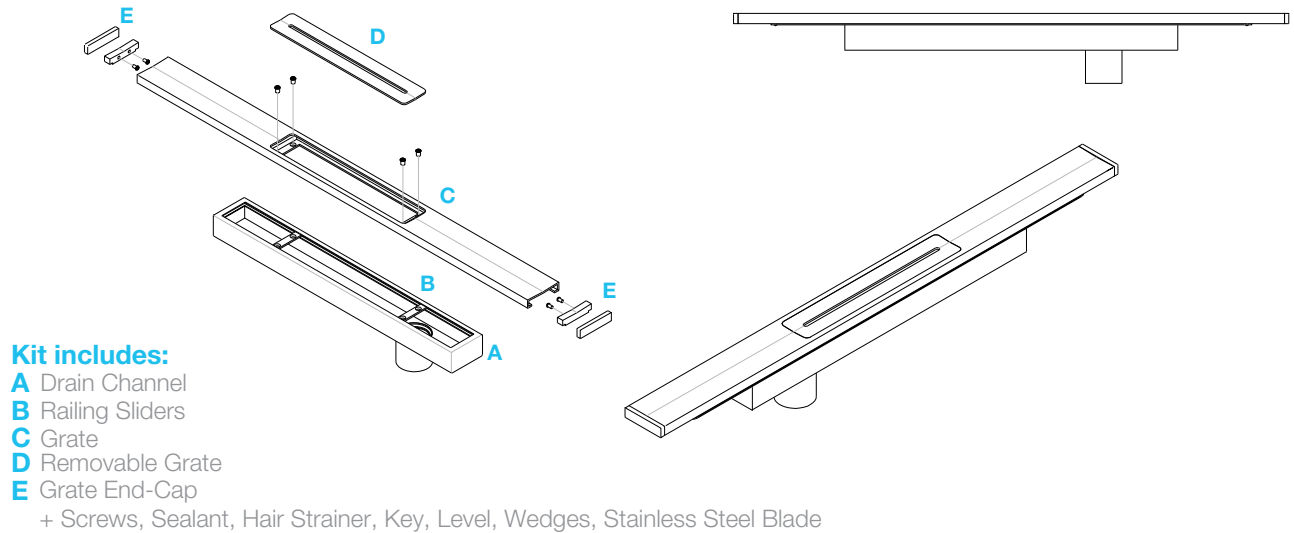
- Stainless Steel does not rust. Only external factors can cause the surface to rust. This rust can be removed using Barkeepers Friends and Soft Scrub. Be careful with tile or stone sealers used in your shower floor. Make sure those chemicals don't sit in your drain. Always rinse well.
- QM Drain products are warrantied to be free of defects in finishes and workmanship. All products must be cleaned in accordance with the manufacturer's recommended procedures and guidelines.
- Don't scratch and never use cleaners containing abrasive cleansers, ammonia, bleach, acids, waxes, alcohol, solvents, or other products not recommended under our cleaning instructions. This will void the warranty.



#MoreThanDesign

Technical Information

DELMAR LINEAR DRAIN SUPREME LINE

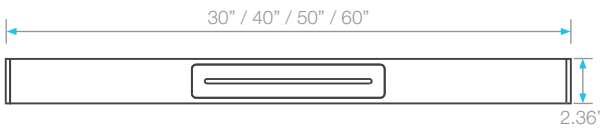


Kit includes:

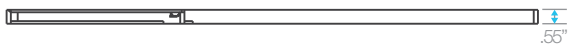
- A** Drain Channel
 - B** Railing Sliders
 - C** Grate
 - D** Removable Grate
 - E** Grate End-Cap
- + Screws, Sealant, Hair Strainer, Key, Level, Wedges, Stainless Steel Blade

Specifications

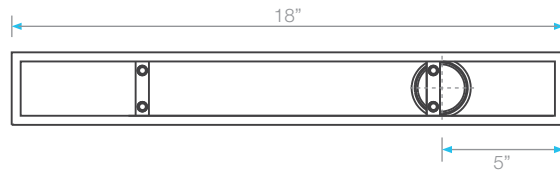
C Grate - Top View



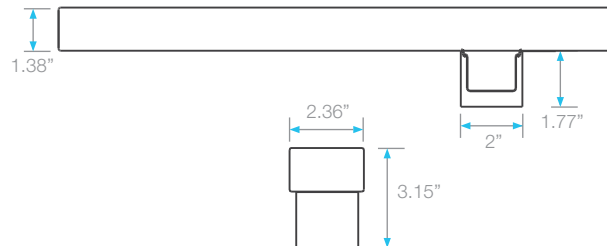
Side View



A Channel - Top View



Side View



D Removable Grate - Top View



Side View



Features

- 13 gauge 316 Stainless Steel Grate = 2.5 mm.
- 18 gauge 316 Stainless Steel Base = 1.2 mm.
- Works with 2" ABS, PVC or Cast Iron shower drain flange (not included).
- Hair Strainer Basket comes with every drain, fits inside the drain to collect hair and other debris, preventing clogged pipes. Optional.
- Supreme is intended for use with traditional waterproofing methods.

Supreme Complete Kit



| Satin | |
|--------------|--------|
| SKU | Length |
| 33.800.30 ST | 30" |
| 33.800.40 ST | 40" |
| 33.800.50 ST | 50" |
| 33.800.60 ST | 60" |



| Satin Gold | |
|--------------|--------|
| SKU | Length |
| 33.800.30 GD | 30" |
| 33.800.40 GD | 40" |
| 33.800.50 GD | 50" |
| 33.800.60 GD | 60" |



| Polished | |
|--------------|--------|
| SKU | Length |
| 33.800.30 PS | 30" |
| 33.800.40 PS | 40" |
| 33.800.50 PS | 50" |
| 33.800.60 PS | 60" |



| Black | |
|--------------|--------|
| SKU | Length |
| 33.800.30 BK | 30" |
| 33.800.40 BK | 40" |
| 33.800.50 BK | 50" |
| 33.800.60 BK | 60" |

Add to Kit (Specification Pages: 131-132)



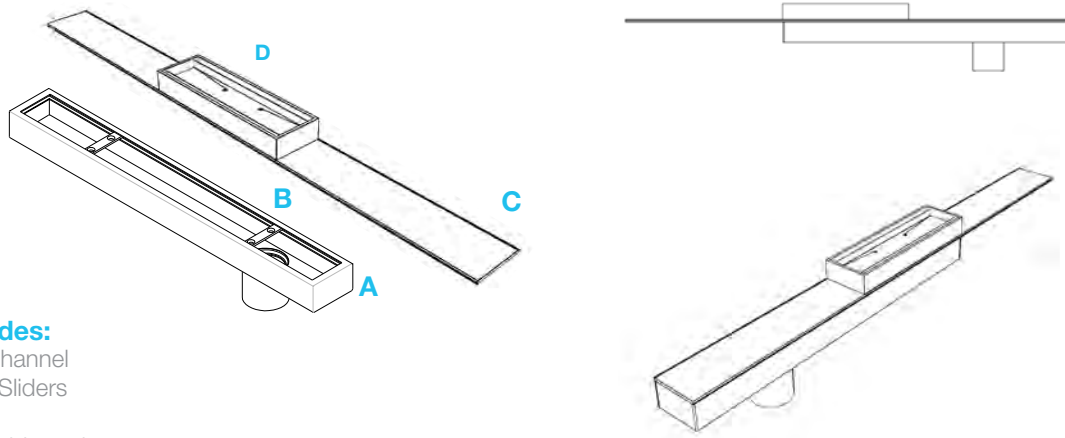
| Drain Flange | SKU |
|---------------------|----------------|
| 2" PVC | 83.FLG.2.PVC |
| 2" ABS | 83.FLG.2.ABS |
| 2" Cast Iron No hub | 83.FLG.2.CI |
| 2" Cast Iron FIP | 83.FLG.2.CI.IP |



| Square Drain Flange | SKU |
|---------------------|------------------|
| 2" PVC | 83.SQFLG.2.PVC |
| 2" ABS | 83.SQFLG.2.ABS |
| 2" Cast Iron No hub | 83.SQFLG.2.CI |
| 2" Cast Iron FIP | 83.SQFLG.2.CI.IP |

Note: Installer must verify all rough-in dimensions prior to installation and consult local and national codes. Conformity and compliance to local and national codes are the responsibility of the installer. Dimensions are subject to Manufacturers tolerance and change without notice. We can assume no responsibility for use of superseded or void data.

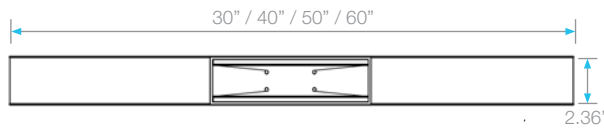
DELMAR LINEAR DRAIN SUPREME TILE IN⁺ LINE



- Kit includes:**
- A** Drain Channel
 - B** Railing Sliders
 - C** Grate
 - D** Removable and Reversible Grate

Specifications

C Grate - Top View

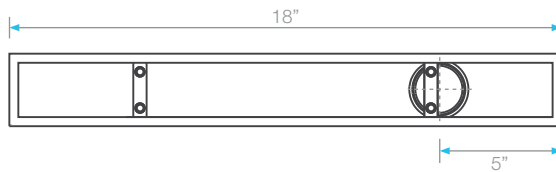


Side View

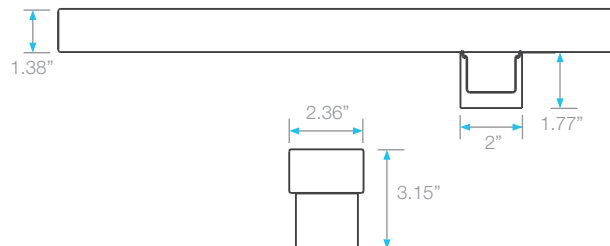


*Note: Tile-In grate accepts flooring material up to 1/2" tickness

A Channel - Top View



Side View



Features

- 13 gauge 316 Stainless Steel Grate = 2.5 mm.
- 18 gauge 316 Stainless Steel Base = 1.2 mm.
- Works with 2" ABS, PVC or Cast Iron shower drain flange (not included).
- Hair Strainer Basket comes with every drain, fits inside the drain to collect hair and other debris, preventing clogged pipes. Optional.
- Supreme is intended for use with traditional waterproofing methods.

Supreme Complete Kit



Add to Kit (Specification Pages: 131-132)



| Drain Flange | SKU |
|---------------------|----------------|
| 2" PVC | 83.FLG.2.PVC |
| 2" ABS | 83.FLG.2.ABS |
| 2" Cast Iron No hub | 83.FLG.2.CI |
| 2" Cast Iron FIP | 83.FLG.2.CI.IP |



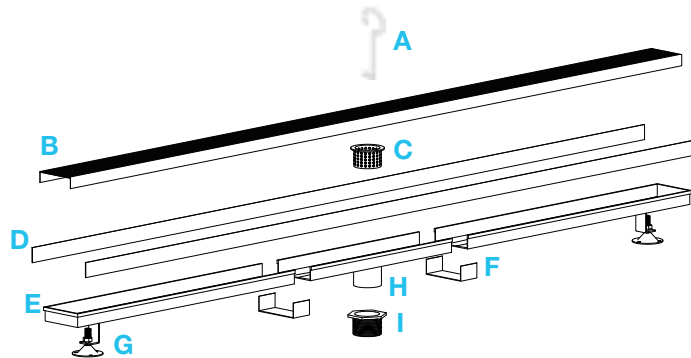
| Square Drain Flange | SKU |
|---------------------|------------------|
| 2" PVC | 83.SQFLG.2.PVC |
| 2" ABS | 83.SQFLG.2.ABS |
| 2" Cast Iron No hub | 83.SQFLG.2.CI |
| 2" Cast Iron FIP | 83.SQFLG.2.CI.IP |

Note: Installer must verify all rough-in dimensions prior to installation and consult local and national codes. Conformity and compliance to local and national codes are the responsibility of the installer. Dimensions are subject to Manufacturers tolerance and change without notice. We can assume no responsibility for use of superseded or void data.

DELMAR LINEAR DRAIN ADJUSTABLE 2" OUTLET

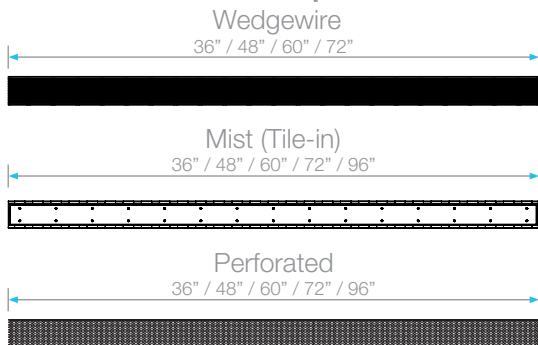
Kit Includes:

- A** Lifting Key
- B** Grate
- C** Hair/Debris Strainer
- D** Trims
- E** Base
- F** Joiners
- G** Leveling Legs
- H** 2" Outlet
- I** Threaded Nipple / Adapter
 - + Stainless Steel Cutting Blade
 - + Sealant

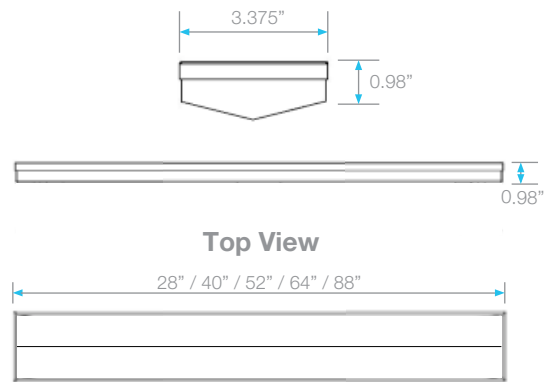


Specifications

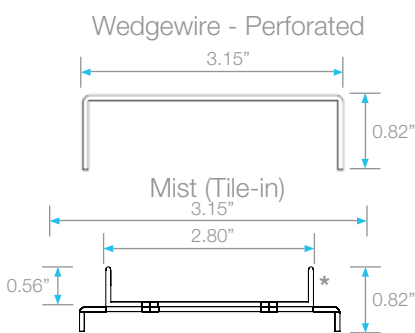
B Grate - Top View



E Base - Side View

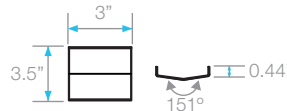


B Grate - Side View

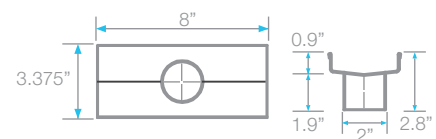


*Note: Tile-In grate accepts flooring material up to 1/2" thickness

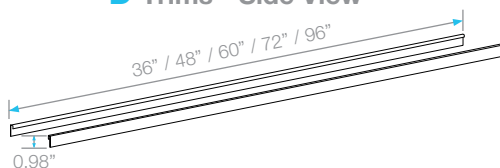
F Joiner - Side & Top View



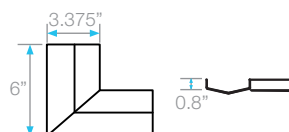
H 2" Outlet - Side & Top View



D Trims - Side View



Corner - Side & Top View



Features

- Stainless Steel 316 Gauges:
Wedgewire grate: 8 gauges = 5mm for edge bars and 9 gauges= 4mm for inside bars.
Perforated & Mist grate: 16 gauge = 1.5 mm.
- Base: 18 gauge = 1.2 mm.
- Works with 2" ABS, PVC or Cast Iron shower drain flange (not included).
- Grate can be removed completely for cleaning.
- Hair Strainer Basket comes with every drain, fits inside the drain to collect hair and other debris, preventing pipe clogs.
- Adjustable is intended for use with traditional waterproofing methods.

Adjustable Complete Kit

| | Length | Satin SKU | Polished SKU | Black SKU |
|--|--------|--------------|-----------------|--------------|
| Wedgewire  | 36" | 33.610.36 ST | 33.610.36 PS | 33.610.36 BK |
| | 48" | 33.610.48 ST | 33.610.48 PS | 33.610.48 BK |
| | 60" | 33.610.60 ST | 33.610.60 PS | 33.610.60 BK |
| | 72" | 33.610.72 ST | 33.610.72 PS | 33.610.72 BK |
| | 96" | 33.610.96 ST | 33.610.96 PS | 33.610.96 BK |
| Perforated  | 36" | 33.620.36 ST | 33.620.36 PS | |
| | 48" | 33.620.48 ST | 33.620.48 PS | |
| | 60" | 33.620.60 ST | 33.620.60 PS | |
| | 72" | 33.620.72 ST | 33.620.72 PS | |
| | 96" | 33.620.96 ST | 33.620.96 PS | |
| Mist (Tile-in)  | 36" | 33.630.36 ST | 33.630.36 PS | |
| | 48" | 33.630.48 ST | 33.630.48 PS | |
| | 60" | 33.630.60 ST | 33.630.60 PS | |
| | 72" | 33.630.72 ST | 33.630.72 PS | |
| | 96" | 33.630.96 ST | 33.630.96 PS | |

Add to Kit (Specification Pages: 131-132)

| Drain Flange | SKU | Square Drain Flange | SKU |
|--|----------------|--|------------------|
|  2" PVC | 83.FLG.2.PVC |  2" PVC | 83.SQFLG.2.PVC |
| 2" ABS | 83.FLG.2.ABS | 2" ABS | 83.SQFLG.2.ABS |
| 2" Cast Iron No hub | 83.FLG.2.CI | 2" Cast Iron No hub | 83.SQFLG.2.CI |
| 2" Cast Iron FIP | 83.FLG.2.CI.IP | 2" Cast Iron FIP | 83.SQFLG.2.CI.IP |

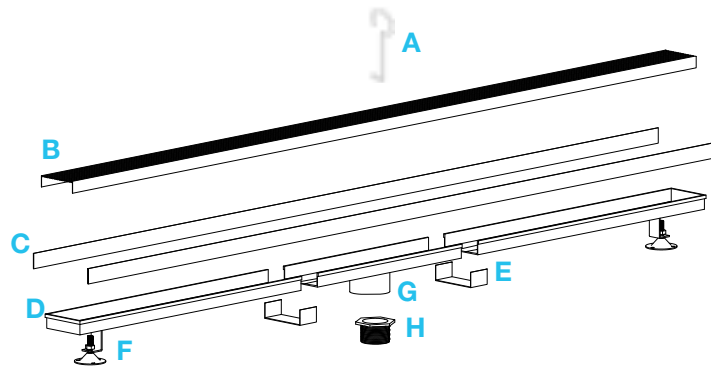
Note: 72" and 96" Kit includes two outlets, two hair strainers, two pair of joiners and two adapters. 72" Wedgewire Black Kit has two 36" . 96" Wedgewire Kit has two 48" grates. Choose the kit with equal or greater size than the length wanted; for longer lengths drain connect kits to build the desired length.

Installer must verify all rough-in dimensions prior to installation and consult local and national codes. Conformity and compliance to local and national codes are the responsibility of the installer. Dimensions are subject to Manufacturers tolerance and change without notice. We can assume no responsibility for use of superseded or voided data.

DELMAR LINEAR DRAIN ADJUSTABLE 3" HIGH FLOW OUTLET

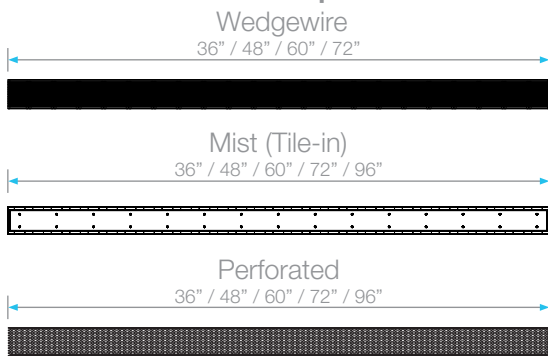
Kit Includes:

- A** Lifting Key
- B** Grate
- C** Trims
- D** Base
- E** Joiners
- F** Leveling Legs
- G** 3" High Flow Outlet
- H** Threaded Nipple
 - + Stainless Steel Cutting Blade
 - + Sealant

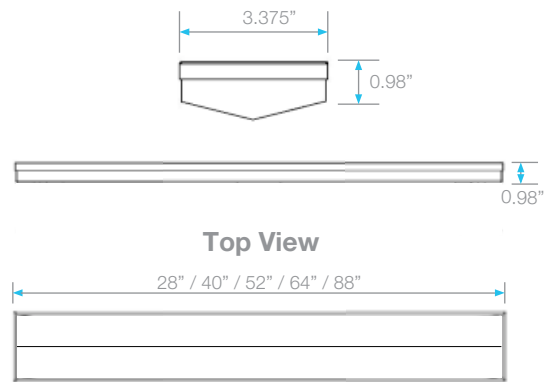


Specifications

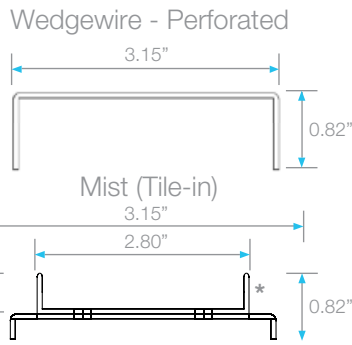
B Grate - Top View



D Base - Side View

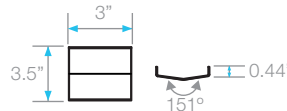


B Grate - Side View

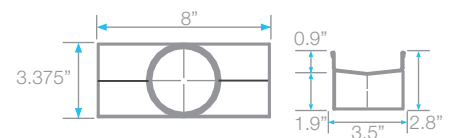


*Note: Tile-in grate accepts flooring material up to 1/2" tickness

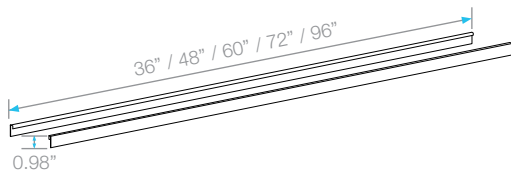
E Joiner - Side & Top View



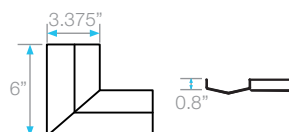
G 3" Outlet - Side & Top View



C Trims - Side View



Corner - Side & Top View



Features

- Stainless Steel 316 Gauges:
Wedgewire grate: 8 gauges = 5mm for edge bars and 9 gauges= 4mm for inside bars.
Perforated & Mist grate: 16 gauge = 1.5 mm.
- Base: 18 gauge = 1.2 mm.
- Grate can be removed completely for cleaning.
- Adjustable is intended for use with traditional waterproofing methods.

Adjustable Complete Kit

| | Length | Satin SKU | Polished SKU | Black SKU |
|--|--------|----------------|-----------------|----------------|
| Wedgewire  | 36" | 33.610.36HF ST | 33.610.36HF PS | 33.610.36HF BK |
| | 48" | 33.610.48HF ST | 33.610.48HF PS | 33.610.48HF BK |
| | 60" | 33.610.60HF ST | 33.610.60HF PS | 33.610.60HF BK |
| | 72" | 33.610.72HF ST | 33.610.72HF PS | 33.610.72HF BK |
| | 96" | 33.610.96HF ST | 33.610.96HF PS | 33.610.96HF BK |
| Perforated  | 36" | 33.620.36HF ST | 33.620.36HF PS | |
| | 48" | 33.620.48HF ST | 33.620.48HF PS | |
| | 60" | 33.620.60HF ST | 33.620.60HF PS | |
| | 72" | 33.620.72HF ST | 33.620.72HF PS | |
| | 96" | 33.620.96HF ST | 33.620.96HF PS | |
| Mist (Tile-in)  | 36" | 33.630.36HF ST | 33.630.36HF PS | |
| | 48" | 33.630.48HF ST | 33.630.48HF PS | |
| | 60" | 33.630.60HF ST | 33.630.60HF PS | |
| | 72" | 33.630.72HF ST | 33.630.72HF PS | |
| | 96" | 33.630.96HF ST | 33.630.96HF PS | |

Add to Kit (Specification Pages: 131-132)



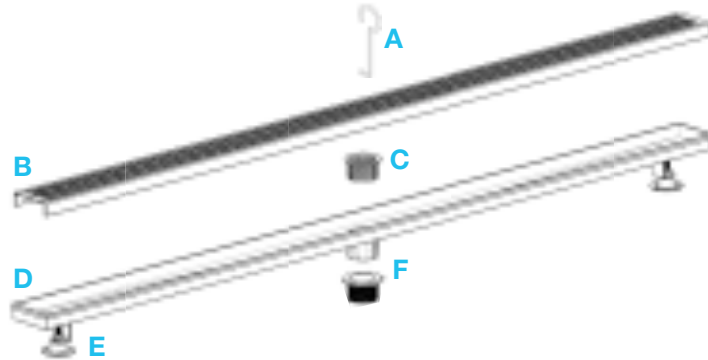
Drain Flange **SKU**
3"x 4" PVC High Flow 83.FLG.3.PVC

Note: 72" and "96" Kit includes two outlets, two hair strainers, two pair of joiners and two adapters. 72" Wedgewire Black Kit has two 36" . 96" Wedgewire Kit has two 48" grates. Choose the kit with equal or greater size than the length wanted; for longer lengths drain connect kits to build the desired length. Installer must verify all rough-in dimensions prior to installation and consult local and national codes. Conformity and compliance to local and national codes are the responsibility of the installer. Dimensions are subject to Manufacturers tolerance and change without notice. We can assume no responsibility for use of superseded or voided data.

DELMAR LINEAR DRAIN STANDARD LENGTH

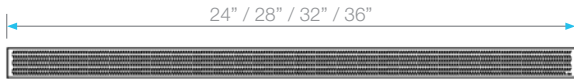
Kit Includes:

- A** Lifting Key
- B** Grate
- C** Hair/Debris Strainer
- D** Base
- E** Leveling Legs
- F** Threaded nipple



Specifications

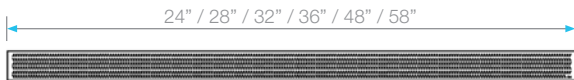
B Grate - Top View
Nami - Kai



Mist



Delta - Wedgewire - Lotus

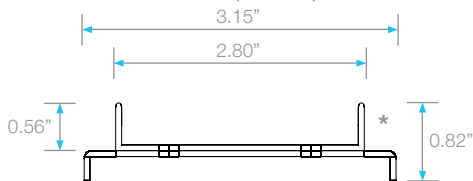


Side View

Nami - Kai - Delta - Lotus - Wedgewire

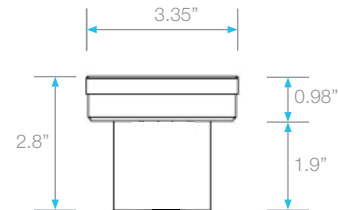


Mist (Tile-in)

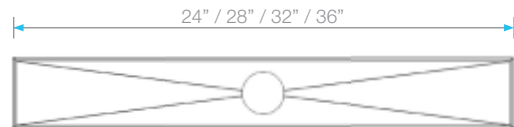


*Note: Tile-In grate accepts flooring material up to 1/2" thickness

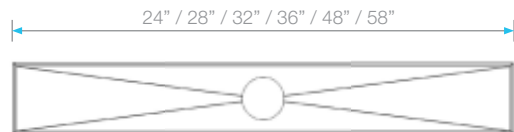
D Base - Side View



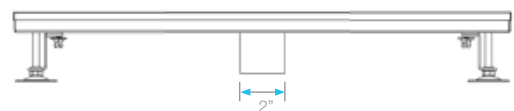
Top View
Nami - Kai



Delta - Mist - Wedgewire - Lotus



Side View



Features

- Stainless Steel 316 Gauges:
Wedge wire grate: 8 gauges = 5mm for edge bars and 9 gauges= 4mm for inside bars.
All other grates: 16 gauge = 1.5 mm.
- Base: 18 gauge = 1.2 mm
- Works with 2" ABS, PVC or Cast Iron shower drain flange (not included).
- Standard length plain edge is intended for use with traditional waterproofing methods.
- Grate can be removed completely for cleaning.
- Hair Strainer Basket comes with every drain, fits inside the drain to collect hair and other debris, preventing clogged pipes.

Complete Kit

| Lotus | | Length | Bronze SKU | Black SKU | Satin Gold SKU |
|--------------|-----|---------------|-----------------------------|----------------------------|---------------------------------|
| | 24" | 33.400.24 BZ | 33.400.24 BK | 33.400.24 GD | |
| | 28" | 33.400.28 BZ | 33.400.28 Bk | 33.400.28 GD | |
| | 32" | 33.400.32 BZ | 33.400.32 BK | 33.400.32 GD | |
| | 36" | 33.400.36 BZ | 33.400.36 BK | 33.400.36 GD | |
| | 48" | 33.400.48 BZ | 33.400.48 BK | 33.400.48 GD | |
| | 58" | 33.400.58 BZ | 33.400.58 BK | 33.400.58 GD | |

| Wedge wire | | Length | Satin SKU | Polished SKU | Black SKU |
|-------------------|-----|---------------|----------------------------|-------------------------------|----------------------------|
| | 24" | 33.700.24 ST | 33.700.24 PS | 33.400.24 BK | |
| | 28" | 33.700.28 ST | 33.700.28 PS | 33.400.28 BK | |
| | 32" | 33.700.32 ST | 33.700.32 PS | 33.400.32 BK | |
| | 36" | 33.700.36 ST | 33.700.36 PS | 33.400.36 BK | |
| | 48" | 33.700.48 ST | 33.700.48 PS | 33.400.48 BK | |
| | 58" | 33.700.58 ST | 33.700.58 PS | 33.400.58 BK | |

| Delta | | Length | Satin SKU | Polished SKU |
|--------------|-----|---------------|----------------------------|-------------------------------|
| | 24" | 33.300.24 ST | 33.300.24 PS | |
| | 28" | 33.300.28 ST | 33.300.28 PS | |
| | 32" | 33.300.32 ST | 33.300.32 PS | |
| | 36" | 33.300.36 ST | 33.300.36 PS | |
| | 48" | 33.300.48 ST | 33.300.48 PS | |
| | 58" | 33.300.58 ST | 33.300.58 PS | |

| Nami | | Length | Satin SKU |
|-------------|-----|---------------|----------------------------|
| | 24" | 33.100.24 ST | |
| | 28" | 33.100.28 ST | |
| | 32" | 33.100.32 ST | |
| | 36" | 33.100.36 ST | |

| Mist (Tile-in) | | Length | Satin SKU | Black SKU |
|-----------------------|-----|---------------|----------------------------|----------------------------|
| | 24" | 33.500.24 ST | 33.500.24 BK | |
| | 28" | 33.500.28 ST | 33.500.28 BK | |
| | 32" | 33.500.32 ST | 33.500.32 BK | |
| | 36" | 33.500.36 ST | 33.500.36 BK | |
| | 48" | 33.500.48 ST | 33.500.48 BK | |
| | 58" | 33.500.58 ST | 33.500.58 BK | |

| Kai | | Length | Satin SKU |
|------------|-----|---------------|----------------------------|
| | 24" | 33.200.24 ST | |
| | 28" | 33.200.28 ST | |
| | 32" | 33.200.32 ST | |
| | 36" | 33.200.36 ST | |

Add to Kit (Specification Pages: 131-132)

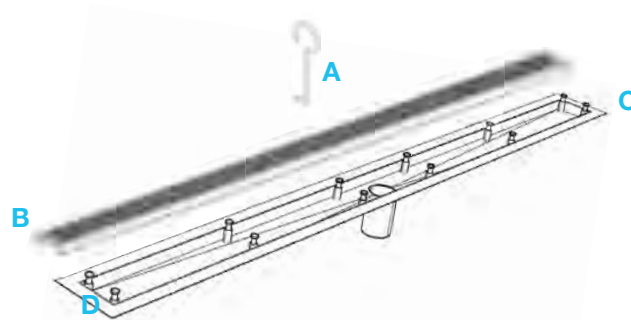
| Drain Flange | SKU | Square Drain Flange | SKU |
|---------------------|----------------|----------------------------|------------------|
| 2" PVC | 83.FLG.2.PVC | 2" PVC | 83.SQFLG.2.PVC |
| 2" ABS | 83.FLG.2.ABS | 2" ABS | 83.SQFLG.2.ABS |
| 2" Cast Iron No hub | 83.FLG.2.CI | 2" Cast Iron No hub | 83.SQFLG.2.CI |
| 2" Cast Iron FIP | 83.FLG.2.CI.IP | 2" Cast Iron FIP | 83.SQFLG.2.CI.IP |

Note: installer must verify all rough-in dimensions prior to installation and consult local and national codes. Conformity and compliance to local and national codes are the responsibility of the installer. Dimensions are subject to Manufacturers tolerance and change without notice. We can assume no responsibility for use of superseded or voided data.

DELMAR LINEAR DRAIN STANDARD LENGTH WITH FLANGE EDGE

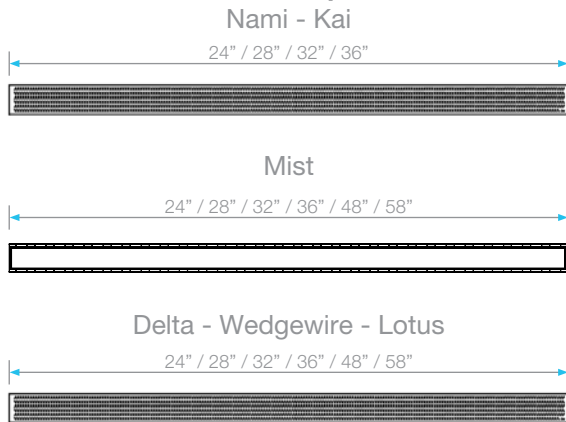
Kit Includes:

- A** Lifting Key
- B** Grate
- C** Flange Edge Base
- D** Leveling Legs

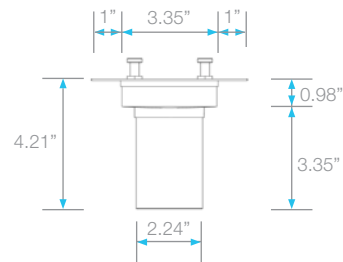


Specifications

B Grate - Top View



C Base - Side View



Top View
Nami - Kai



Side View

Nami - Kai - Delta - Lotus - Wedgewire

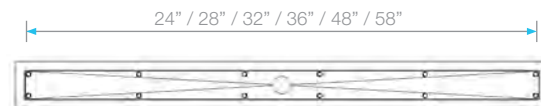


Mist (Tile-in)



*Note: Tile-in grate accepts flooring material up to 1" tickness

Delta - Mist - Wedgewire - Lotus



Features

- Stainless Steel 316 Gauges:
Wedgewire grate: 8 gauges = 5mm for edge bars and 9 gauges= 4mm for inside bars.
All other grates: 16 gauge = 1.5 mm.
Base: 18 gauge = 1.2 mm
- Grate can be removed completely for cleaning.
- Flange Edge Base is intended for use with modern waterproofing method

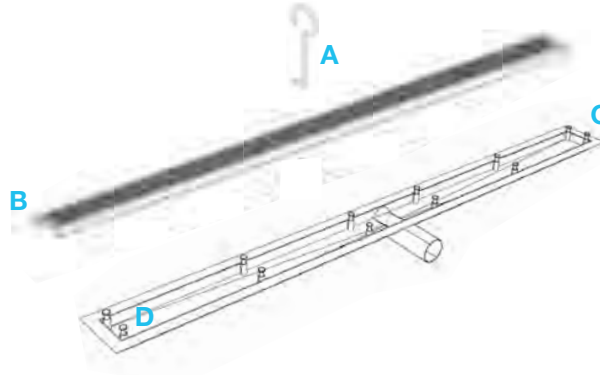
Complete Kit

| | Length | Satin SKU | Polished SKU | Black SKU |
|--|--------|---------------|---------------|---------------|
| Wedgewire  | 24" | 33.700.24F ST | 33.700.24F PS | 33.700.24F BK |
| | 28" | 33.700.28F ST | 33.700.28F PS | 33.700.28F BK |
| | 32" | 33.700.32F ST | 33.700.32F PS | 33.700.32F BK |
| | 36" | 33.700.36F ST | 33.700.36F PS | 33.700.36F BK |
| | 48" | 33.700.48F ST | 33.700.48F PS | 33.700.48F BK |
| | 58" | 33.700.58F ST | 33.700.58F PS | 33.700.58F BK |
| Kai  | 24" | 33.200.02 F | | |
| | 28" | 33.200.03 F | | |
| | 32" | 33.200.04 F | | |
| | 36" | 33.700.05 F | | |
| | | | | |
| Mist (Tile-in)  | 24" | | | 33.500.24F ST |
| | 28" | | | 33.500.28F ST |
| | 32" | | | 33.500.32F ST |
| | 36" | | | 33.500.36F ST |
| | 48" | | | 33.500.48F ST |
| | 58" | | | 33.500.58F ST |
| Delta  | 24" | 33.300.24F ST | 33.300.24F PS | |
| | 28" | 33.300.28F ST | 33.300.28F PS | |
| | 32" | 33.300.32F ST | 33.300.32F PS | |
| | 36" | 33.300.36F ST | 33.300.36F PS | |
| | 48" | 33.300.48F ST | 33.300.48F PS | |
| | 58" | 33.300.58F ST | 33.300.58F PS | |
| Nami  | 24" | | | 33.100.24F ST |
| | 28" | | | 33.100.28F ST |
| | 32" | | | 33.100.32F ST |
| | 36" | | | 33.100.36F ST |
| | | | | |
| Lotus  | 24" | 33.400.24F BZ | 33.400.24F BK | 33.700.24F GD |
| | 28" | 33.400.28F BZ | 33.400.28F BK | 33.700.28F GD |
| | 32" | 33.400.32F BZ | 33.400.32F BK | 33.700.32F GD |
| | 36" | 33.400.36F BZ | 33.400.36F BK | 33.700.36F GD |
| | 48" | 33.400.48F BZ | 33.400.48F BK | 33.700.48F GD |
| | 58" | 33.400.58F BZ | 33.400.58F BK | 33.700.58F GD |
| | | | | |

Note: Installer must verify all rough-in dimensions prior to installation and consult local and national codes. Conformity and compliance to local and national codes are the responsibility of the installer. Dimensions are subject to Manufacturers tolerance and change without notice. We can assume no responsibility for use of superseded or voided data.

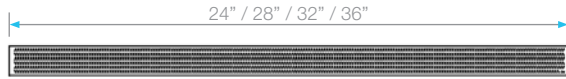
DELMAR LINEAR DRAIN STANDARD LENGTH WITH SIDE OUTLET FLANGE EDGE

- Kit Includes:**
- A** Lifting Key
 - B** Grate
 - C** Flange Edge Base
 - D** Leveling Legs



Specifications

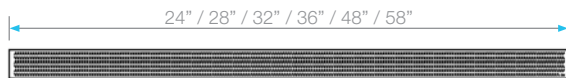
B Grate - Top View
Nami - Kai



Mist



Delta - Wedgewire - Lotus



Side View

Nami - Kai - Delta - Lotus - Wedgewire

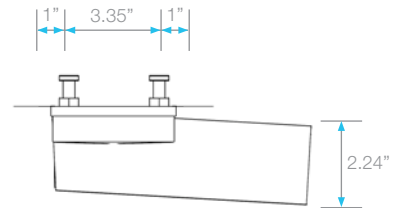


Mist (Tile-in)

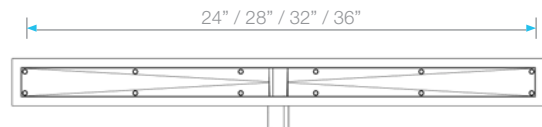


*Note: Tile-In grate accepts flooring material up to 1" thickness

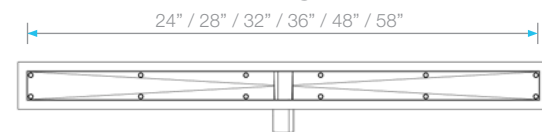
C Base - Side View



Top View
Nami - Kai



Delta - Mist - Wedgewire - Lotus









Side View



Features

- Stainless Steel 316 Gauges:
Wedgewire grate: 8 gauges = 5mm for edge bars and 9 gauges = 4mm for inside bars.
All other grates: 16 gauge = 1.5 mm.
Base: 18 gauge = 1.2 mm
- Grate can be removed completely for cleaning.
- Side Outlet Flange Edge Base is intended for use with modern waterproofing method

Complete Kit

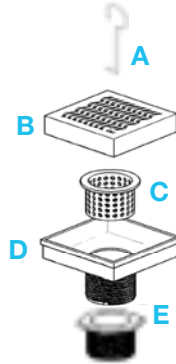
| | | | | | | |
|--|-----------------|-----------------|-----------------|-----------------|-----------------|--------------|
|  <p>Wedgewire</p> | | Satin | | Polished | | Black |
| | | Length | SKU | SKU | SKU | SKU |
| | 24" | 33.700.24FSO ST | 33.700.24FSO PS | 33.700.24F BK | | |
| | 28" | 33.700.28FSO ST | 33.700.28FSO PS | 33.700.28F BK | | |
| | 32" | 33.700.32FSO ST | 33.700.32FSO PS | 33.700.32F BK | | |
| | 36" | 33.700.36FSO ST | 33.700.36FSO PS | 33.700.36F BK | | |
|  <p>Kai</p> | | Satin | | | | |
| | | Length | SKU | | | |
| | 24" | 33.200.02FSO ST | | | | |
| | 28" | 33.200.03FSO ST | | | | |
| | 36" | 33.700.05FSO ST | | | | |
|  <p>Mist (Tile-in)</p> | | | | Satin | | |
| | | | | Length | SKU | |
| | | | | 24" | 33.500.24FSO ST | |
| | | | | 28" | 33.500.28FSO ST | |
| | | | | 32" | 33.500.32FSO ST | |
| | | | | 36" | 33.500.36FSO ST | |
|  <p>Delta</p> | | Satin | | Polished | | |
| | | Length | SKU | SKU | | |
| | 24" | 33.300.24FSO ST | 33.300.24FSO PS | | | |
| | 28" | 33.300.28FSO ST | 33.300.28FSO PS | | | |
| | 32" | 33.300.32FSO ST | 33.300.32FSO PS | | | |
| | 36" | 33.300.36FSO ST | 33.300.36FSO PS | | | |
|  <p>Nami</p> | | | | | Satin | |
| | | | | Length | SKU | |
| | | | | 24" | 33.100.24FSO ST | |
| | | | | 28" | 33.100.28FSO ST | |
| | | | | 36" | 33.100.36FSO ST | |
|  <p>Lotus</p> | | Bronze | | Black | | Gold |
| | | Length | SKU | SKU | SKU | |
| | 24" | 33.400.28FSO BZ | 33.400.24FSO BK | 33.400.24F GD | | |
| | 28" | 33.400.28FSO BZ | 33.400.28FSO BK | 33.400.28F GD | | |
| | 32" | 33.400.32FSO BZ | 33.400.32FSO BK | 33.400.32F GD | | |
| | 36" | 33.400.36FSO BZ | 33.400.36FSO BK | 33.400.36F GD | | |
| | 48" | 33.400.48FSO BZ | 33.400.48FSO BK | 33.400.48F GD | | |
| 58" | 33.400.58FSO BZ | 33.400.58FSO BK | 33.400.58F GD | | | |

Note: Installer must verify all rough-in dimensions prior to installation and consult local and national codes. Conformity and compliance to local and national codes are the responsibility of the installer. Dimensions are subject to Manufacturers tolerance and change without notice. We can assume no responsibility for use of superseded or voided data.

DELMAR SQUARE DRAIN

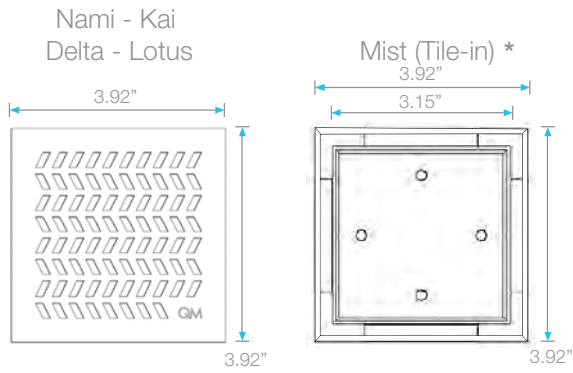
Kit Includes:

- A** Lifting Key
- B** Grate
- C** Hair/Debris Strainer
- D** Base
- E** Threaded Nipple

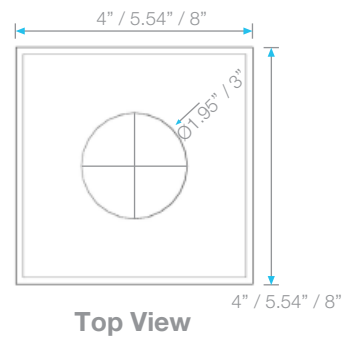


Specifications

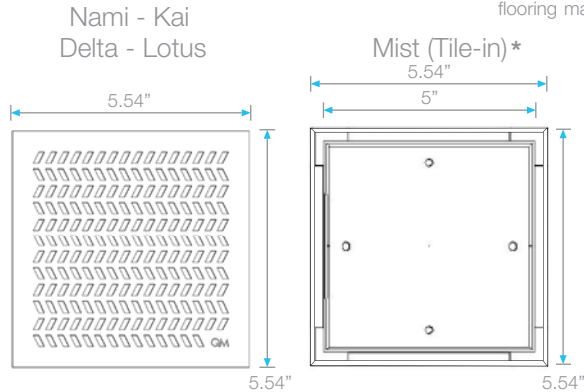
B Grate - Top View 4" x 4"



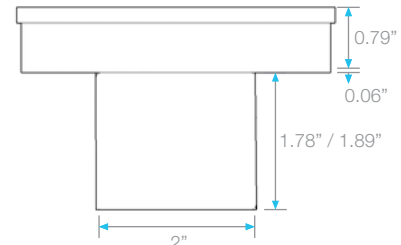
D Base - Top View



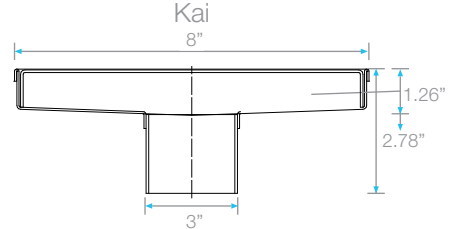
Top View 5 3/4" x 5 3/4"



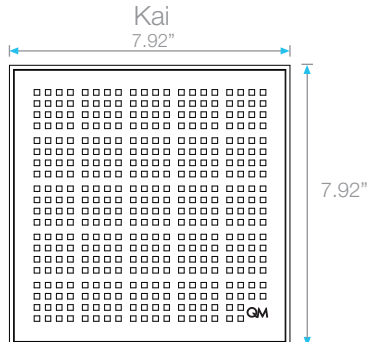
*Note: Tile-In grate accepts flooring material up to 1/2" thickness



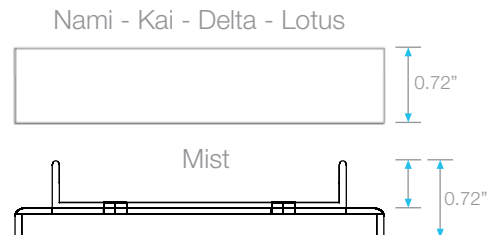
Side View 8" x 8"



Top View 8" x 8"



B Grate - Side View



Features

- 16 gauge 316 Stainless Steel Grate = 1.5 mm.
- 18 gauge 316 Stainless Steel Base = 1.2 mm.
- Works with 2" ABS, PVC or Cast Iron shower drain flange (not included).
- Center Drains is intended for use with traditional waterproofing methods.
- Hair Strainer Basket comes with every drain, fits inside the drain to collect hair and other debris, preventing pipe clogs.
- Grate can be removed completely for cleaning.

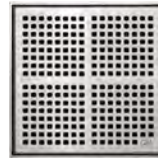
Complete Kit

Nami



| Length | Satin SKU |
|-----------------|--------------|
| 4" x 4" | 33.100.04 ST |
| 5 3/4" x 5 3/4" | 33.100.06 ST |

Kai



| Length | Satin SKU |
|-----------------|--------------|
| 4" x 4" | 33.200.04 ST |
| 5 3/4" x 5 3/4" | 33.200.06 ST |
| 8" x 8" | 33.200.08 ST |

(3" OUTLET HIGH FLOW!)

Delta



| Length | Satin SKU | Polished SKU |
|-----------------|--------------|--------------|
| 4" x 4" | 33.300.04 ST | 33.300.04 PS |
| 5 3/4" x 5 3/4" | 33.300.06 ST | 33.300.06 PS |

Mist



| Length | Satin SKU |
|-----------------|--------------|
| 4" x 4" | 33.500.04 ST |
| 5 3/4" x 5 3/4" | 33.500.06 ST |

Lotus



| Length | Bronze SKU | Black SKU | Satin Gold SKU |
|-----------------|--------------|--------------|----------------|
| 4" x 4" | 33.400.04 BZ | 33.400.04 BK | 33.400.04 GD |
| 5 3/4" x 5 3/4" | 33.400.06 BZ | 33.400.06 BK | 33.400.06 GD |

Add to Kit (Specification Pages: 131-132)



| Drain Flange | SKU |
|---------------------|----------------|
| 2" PVC | 83.FLG.2.PVC |
| 2" ABS | 83.FLG.2.ABS |
| 2" Cast Iron No hub | 83.FLG.2.CI |
| 2" Cast Iron FIP | 83.FLG.2.CI.IP |
| 3" High Flow | 83.FLG.3.PVC |

(only for Kai 8" HF)



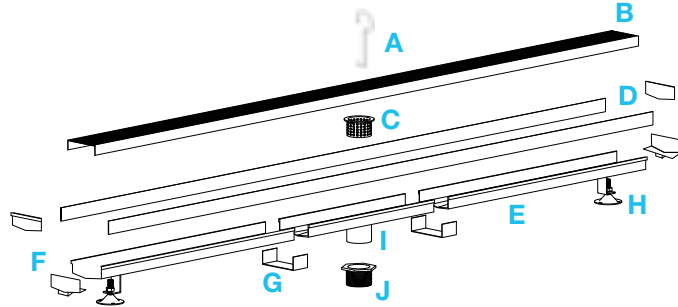
| Square Drain Flange | SKU |
|---------------------|------------------|
| 2" PVC | 83.SQFLG.2.PVC |
| 2" ABS | 83.SQFLG.2.ABS |
| 2" Cast Iron No hub | 83.SQFLG.2.CI |
| 2" Cast Iron FIP | 83.SQFLG.2.CI.IP |

Note: If modern waterproofing method is intended using a bonded flange, add a bonded flange adaptor. See page 132
 Installer must verify all rough-in dimensions prior to installation and consult local and national codes. Conformity and compliance to local and national codes are the responsibility of the installer. Dimensions are subject to Manufacturers tolerance and change without notice.
 We can assume no responsibility for use of superseded or voided data.

LAGOS LINEAR DRAIN ADJUSTABLE 2" OUTLET

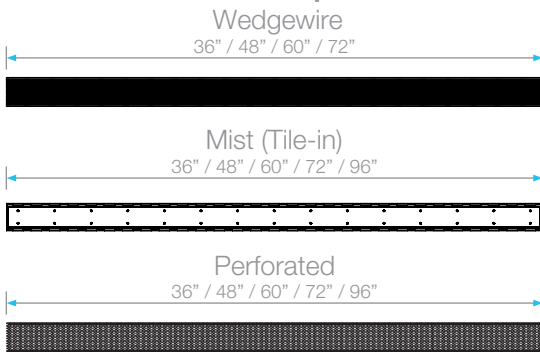
Kit Includes:

- A** Lifting Key
- B** Grate
- C** Hair/Debris Strainer
- D** Trims
- E** PVC Base
- F** Base End Cap
- G** Joiners
- H** Leveling Legs
- I** 2" Outlet
- J** Threaded Nipple
 - + Stainless Steel Cutting Blade

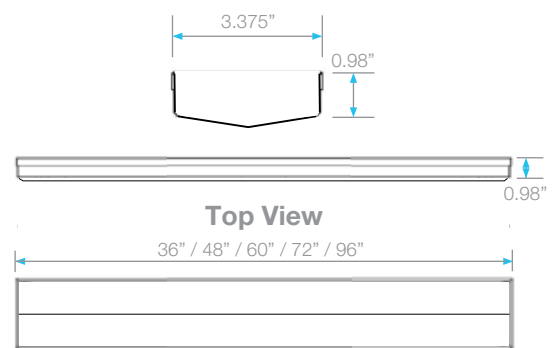


Specifications

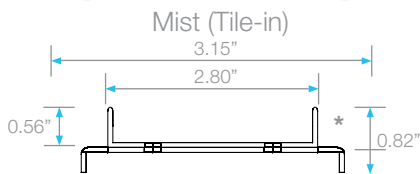
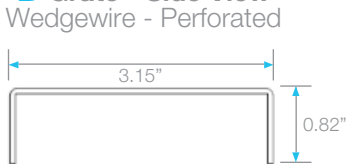
B Grate - Top View



E Base - Side View

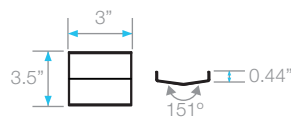


B Grate - Side View

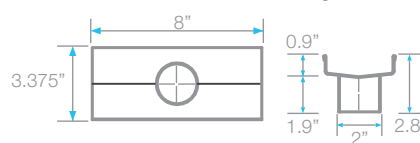


*Note: Tile-In grate accepts flooring material up to 1/2" thickness

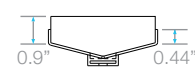
G Joiner - Side & Top View



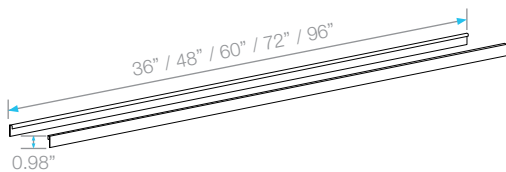
I 2" Outlet - Side & Top View



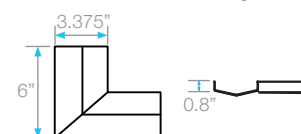
F Base End Cap - Side View



D Trims - Side View



Corner - Side & Top View






 USA - ASME A 112.18.2-2011/
 CAN - CSA B 125.2-11.
 Certificate #2689051

QM USA, Corp.
 4100 N Powerline Road, Suite Z3
 Pompano Beach, FL, USA 33073
 P: 954 773 9450 • info@qm-us.com
www.qmdrain.com

Features

- Stainless Steel 316 Gauges:
 Wedgewire grate: 8 gauges = 5mm for edge bars and 9 gauges= 4mm for inside bars.
 Perforated & Mist grate: 16 gauge = 1.5 mm.
- PVC Base = 3 mm.
- Works with 2" ABS, PVC or Cast Iron shower drain flange (not included).
- Grate can be removed completely for cleaning.
- Hair Strainer Basket comes with every drain, fits inside the drain to collect hair and other debris, preventing pipe clogs.
- Adjustable is intended for use with traditional waterproofing methods.

Adjustable Complete Kit

| | Length | Satin SKU | Polished SKU | Black SKU |
|--|--------|--------------|-----------------|--------------|
| Wedgewire  | 36" | 88.610.36 ST | 88.610.36 PS | 88.610.36 BK |
| | 48" | 88.610.48 ST | 88.610.48 PS | 88.610.48 BK |
| | 60" | 88.610.60 ST | 88.610.60 PS | 88.610.60 BK |
| | 72" | 88.610.72 ST | 88.610.72 PS | 88.610.72 BK |
| | 96" | 88.610.96 ST | 88.610.96 PS | 88.610.96 BK |
| Perforated  | 36" | 88.620.36 ST | 88.620.36 PS | |
| | 48" | 88.620.48 ST | 88.620.48 PS | |
| | 60" | 88.620.60 ST | 88.620.60 PS | |
| | 72" | 88.620.72 ST | 88.620.72 PS | |
| | 96" | 88.620.96 ST | 88.620.96 PS | |
| Mist (Tile-in)  | 36" | 88.630.36 ST | 88.630.36 PS | |
| | 48" | 88.630.48 ST | 88.630.48 PS | |
| | 60" | 88.630.60 ST | 88.630.60 PS | |
| | 72" | 88.630.72 ST | 88.630.72 PS | |
| | 96" | 88.630.96 ST | 88.630.96 PS | |

Add to Kit (Specification Pages: 131-132)

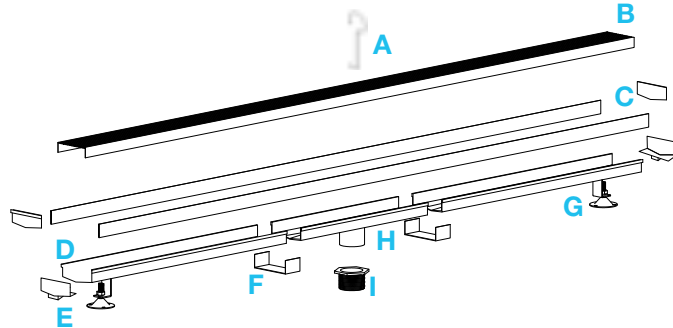
| | | | | | |
|---|---------------------|----------------|---|----------------------------|------------------|
|  | Drain Flange | SKU |  | Square Drain Flange | SKU |
| | 2" PVC | 83.FLG.2.PVC | | 2" PVC | 83.SQFLG.2.PVC |
| | 2" ABS | 83.FLG.2.ABS | | 2" ABS | 83.SQFLG.2.ABS |
| | 2" Cast Iron No hub | 83.FLG.2.CI | | 2" Cast Iron No hub | 83.SQFLG.2.CI |
| | 2" Cast Iron FIP | 83.FLG.2.CI.IP | | 2" Cast Iron FIP | 83.SQFLG.2.CI.IP |

Note: 72" and *96" Kit includes two outlets, two hair strainers, two pair of joiners and two adapters. 96" Wedgewire Kit has two 48" grates. Choose the kit with equal or greater size than the length wanted; for longer lengths drain connect kits to build the desire length. Installer must verify all rough-in dimensions prior to installation and consult local and national codes. Conformity and compliance to local and national codes are the responsibility of the installer. Dimensions are subject to Manufacturers tolerance and change without notice. We can assume no responsibility for use of superseded or voided data.

LAGOS LINEAR DRAIN ADJUSTABLE 3" OUTLET (HIGH FLOW)

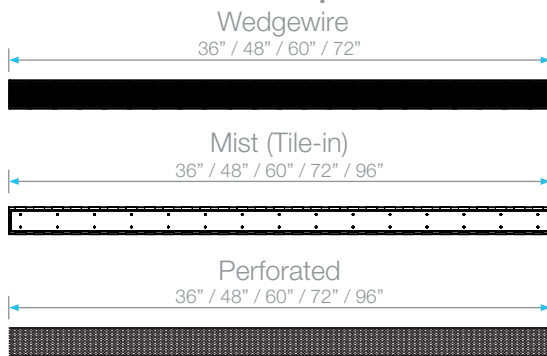
Kit Includes:

- A** Lifting Key
- B** Grate
- C** Trims
- D** PVC Base
- E** Base End Cap
- F** Joiners
- G** Leveling Legs
- H** 3" Outlet
- I** Threaded Nipple
 - + Stainless Steel Cutting Blade

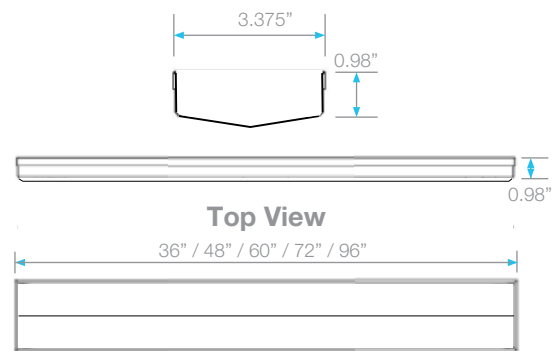


Specifications

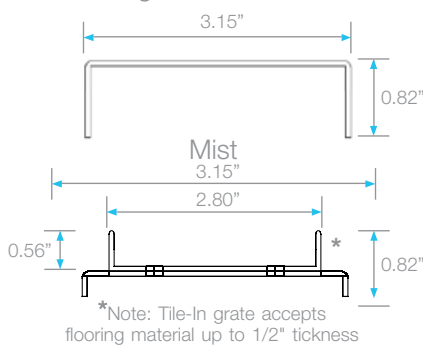
B Grate - Top View



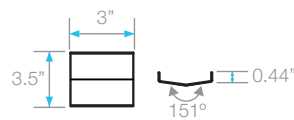
D Base - Side View



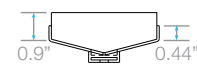
B Grate - Side View



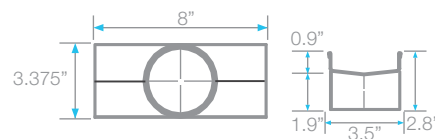
F Joiner - Side & Top View



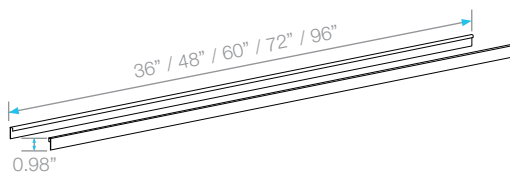
E Base End Cap - Side View



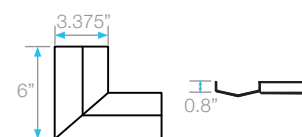
H 3" Outlet - Side & Top View



C Trims - Side View



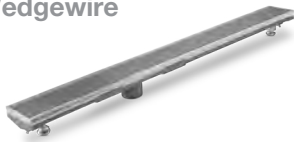


Corner - Side & Top View



Features

- Stainless Steel 316 Gauges:
Wedgewire grate: 8 gauges = 5mm for edge bars and 9 gauges= 4mm for inside bars.
Perforated & Mist grate: 16 gauge = 1.5 mm.PVC Base = 3 mm.
- Works with 3”/4” drain flange or general purpose drain (not included).
- Grate can be removed completely for cleaning.
- Adjustable is intended for use with traditional waterproofing methods.

Adjustable Complete Kit

| | Length | Satin SKU | Polished SKU | Black SKU |
|--|--------|----------------|-----------------|----------------|
| Wedgewire  | 36” | 88.610.36HF ST | 88.610.36HF PS | 88.610.36HF BK |
| | 48” | 88.610.48HF ST | 88.610.48HF PS | 88.610.48HF BK |
| | 60” | 88.610.60HF ST | 88.610.60HF PS | 88.610.60HF BK |
| | 72” | 88.610.72HF ST | 88.610.72HF PS | 88.610.72HF BK |
| | 96” | 88.610.96HF ST | 88.610.96HF PS | 88.610.96HF BK |
| Perforated  | 36” | 88.620.36HF ST | 88.620.36HF PS | |
| | 48” | 88.620.48HF ST | 88.620.48HF PS | |
| | 60” | 88.620.60HF ST | 88.620.60HF PS | |
| | 72” | 88.620.72HF ST | 88.620.72HF PS | |
| | 96” | 88.620.96HF ST | 88.620.96HF PS | |
| Mist (Tile-in)  | 36” | 88.630.36HF ST | 88.630.36HF PS | |
| | 48” | 88.630.48HF ST | 88.630.48HF PS | |
| | 60” | 88.630.60HF ST | 88.630.60HF PS | |
| | 72” | 88.630.72HF ST | 88.630.72HF PS | |
| | 96” | 88.630.96HF ST | 88.630.96HF PS | |

Add to Kit (Specification Pages: 131-132)



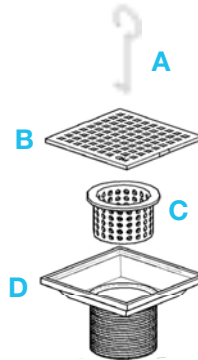
Drain Flange **SKU**
3” High Flow PVC 83.FLG.3.PVC

Note: 72” and “96” Kit includes two outlets, two hair strainers, two pair of joiners and two adapters. 72” Wedgewire Black Kit has two 36” . 96” Wedgewire Kit has two 48” grates. Choose the kit with equal or greater size than the length wanted; for longer lengths drain connect kits to build the desired length.
Installer must verify all rough-in dimensions prior to installation and consult local and national codes. Conformity and compliance to local and national codes are the responsibility of the installer. Dimensions are subject to Manufacturers tolerance and change without notice. We can assume no responsibility for use of superseded or voided data.

LAGOS SQUARE DRAIN

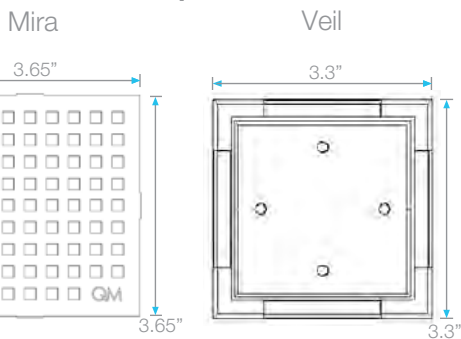
Kit Includes:

- A** Lifting Key
- B** Grate
- C** Hair/Debris Strainer
- D** Base

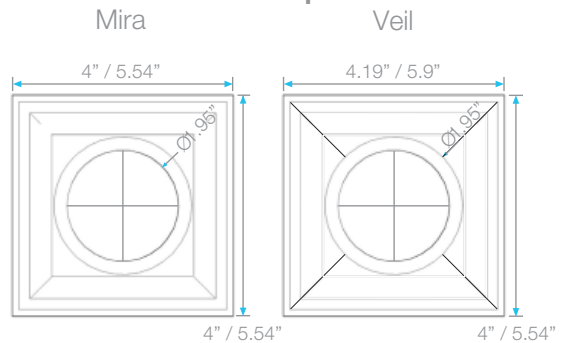


Specifications

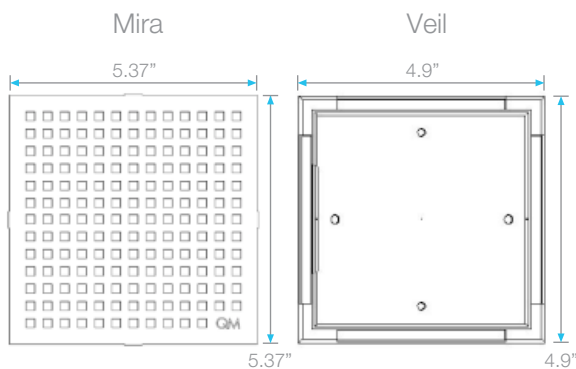
B Grate - Top View 4" x 4"



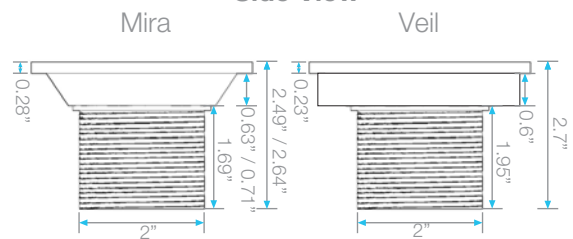
D Base - Top View



Top View 5 3/4" x 5 3/4"



Side View



B Grate - Side View

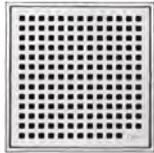


Features

- 15 gauge 316 Stainless Steel Grate = 1.8 mm
- Base made in ABS plastic.
- Works with 2" ABS, PVC or Cast Iron shower drain flange (not included).
- Center Drain is intended for use with traditional waterproofing methods.
- Hair Strainer Basket comes with every drain, fits inside the drain to collect hair and other debris, preventing pipe clogs.
- Grate can be removed completely for cleaning.

Complete Kit

Mira



| Length | Satin SKU | Polished SKU | Black SKU | Satin Gold SKU | Bronze SKU |
|-----------------|--------------|-----------------|--------------|-------------------|---------------|
| 4" x 4" | 88.100.04 ST | 88.100.04 PS | 88.100.04 BK | 88.100.04 GD | 88.100.04 BZ |
| 5 3/4" x 5 3/4" | 88.100.06 ST | 88.100.06 PS | 88.100.06 BK | 88.100.06 GD | 88.100.06 BZ |

Veil



| Length | Satin SKU | Polished SKU | Black SKU | Satin Gold SKU |
|-----------------|--------------|-----------------|--------------|-------------------|
| 4" x 4" | 88.300.04 ST | 88.300.04 PS | 88.300.04 BK | 88.300.04 GD |
| 5 3/4" x 5 3/4" | 88.300.06 ST | 88.300.06 PS | 88.300.06 BK | 88.300.06 GD |

Add to Kit (Specification Pages: 131-132)



| Drain Flange | SKU |
|---------------------|----------------|
| 2" PVC | 83.FLG.2.PVC |
| 2" ABS | 83.FLG.2.ABS |
| 2" Cast Iron No hub | 83.FLG.2.CI |
| 2" Cast Iron FIP | 83.FLG.2.CI.IP |



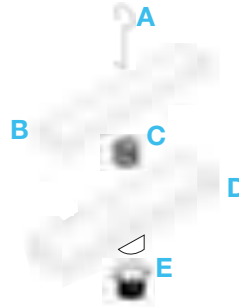
| Square Drain Flange | SKU |
|---------------------|------------------|
| 2" PVC | 83.SQFLG.2.PVC |
| 2" ABS | 83.SQFLG.2.ABS |
| 2" Cast Iron No hub | 83.SQFLG.2.CI |
| 2" Cast Iron FIP | 83.SQFLG.2.CI.IP |

Note: If modern waterproofing method is intended using a bonded flange, add a bonded flange adaptor. See page 132
Installer must verify all rough-in dimensions prior to installation and consult local and national codes. Conformity and compliance to local and national codes are the responsibility of the installer. Dimensions are subject to Manufacturers tolerance and change without notice.
We can assume no responsibility for use of superseded or void data.

LAGOS VEIL LINEAR DRAIN

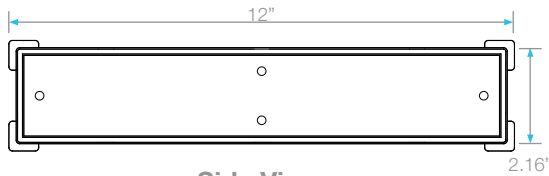
Kit Includes:

- A** Lifting Key
- B** Grate
- C** Hair/Debris Strainer
- D** Base
- E** Threaded Nipple

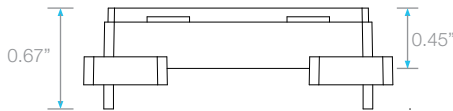


Specifications

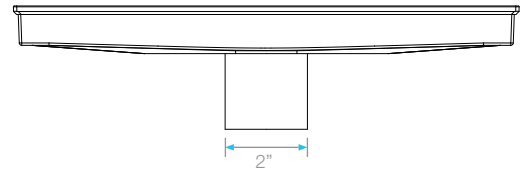
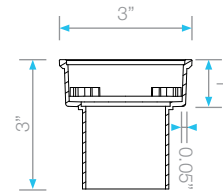
B Grate - Top View



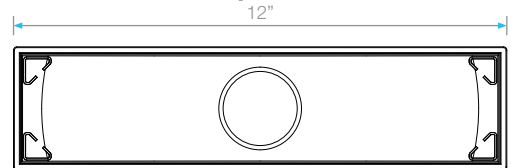
Side View



D Base - Side View



Top View



Features

- Base and Grate made in ABS plastic.
- Works with 2" ABS, PVC or Cast Iron shower drain flange (not included).
- Standard plain edge is intended for use with traditional waterproofing methods.
- Grate can be removed completely for cleaning.

Complete Kit



**Veil
Linear**

| | | | | | |
|---------------|--------------|-----------------|-------------------|--------------|---------------|
| Length | Satin | Polished | Satin Gold | Black | Bronze |
| 12" x 3" | SKU | SKU | SKU | SKU | SKU |
| | 88.300.12 ST | 88.300.12 PS | 88.300.12 GD | 88.300.12 BK | 88.300.12 BZ |

Add to Kit (Specification Pages: 131-132)



| | |
|---------------------|----------------|
| Drain Flange | SKU |
| 2" PVC | 83.FLG.2.PVC |
| 2" ABS | 83.FLG.2.ABS |
| 2" Cast Iron No hub | 83.FLG.2.CI |
| 2" Cast Iron FIP | 83.FLG.2.CI.IP |



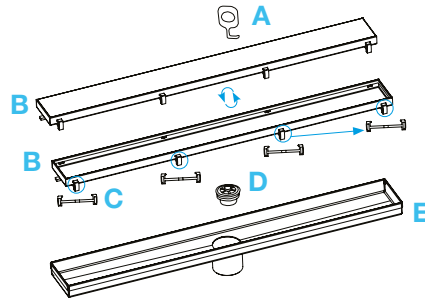
| | |
|----------------------------|------------------|
| Square Drain Flange | SKU |
| 2" PVC | 83.SQFLG.2.PVC |
| 2" ABS | 83.SQFLG.2.ABS |
| 2" Cast Iron No hub | 83.SQFLG.2.CI |
| 2" Cast Iron FIP | 83.SQFLG.2.CI.IP |

Note: If modern waterproofing method is intended using a bonded flange, add a bonded flange adaptor. See page XX
 Installer must verify all rough-in dimensions prior to installation and consult local and national codes. Conformity and compliance to local and national codes are the responsibility of the installer. Dimensions are subject to Manufacturers tolerance and change without notice.
 We can assume no responsibility for use of superseded or voided data.

BAY LINEAR DRAIN 2 IN 1

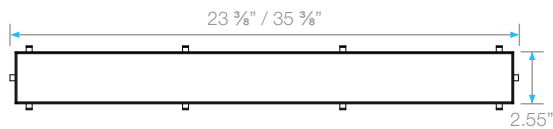
Kit Includes:

- A** Lifting Key
- B** Flat Stainless Steel or Tile-In Grate
- C** Plastic Legs
- D** Odor/Bugs Seal
- E** Base



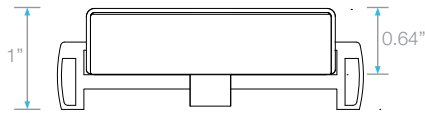
Specifications

B Grate - Top View

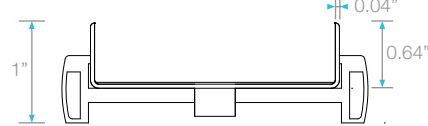


Side View

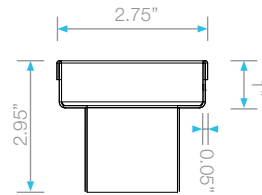
Flat Stainless Steel



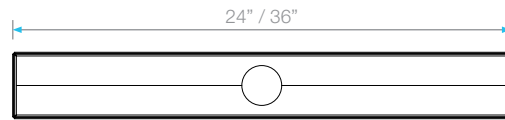
Tile-in Grate



E Base - Side View



Top View



Complete Kit



| Length | Satin SKU |
|--------|--------------|
| 24" | 38.100.24 ST |
| 36" | 38.100.36 ST |

Features

- Stainless Steel 304 Gauges:
 - Grates: 16 gauge = 1.5 mm.
 - Base: 18 gauge = 1.2 mm
- Works with 2" ABS, PVC or Cast Iron shower drain flange (not included).
- Standard plain edge is intended for use with traditional waterproofing methods.
- Grate can be removed completely for cleaning.

Add to Kit (Specification Pages: 131-132)



| Drain Flange | SKU |
|---------------------|----------------|
| 2" PVC | 83.FLG.2.PVC |
| 2" ABS | 83.FLG.2.ABS |
| 2" Cast Iron No hub | 83.FLG.2.CI |
| 2" Cast Iron FIP | 83.FLG.2.CI.IP |



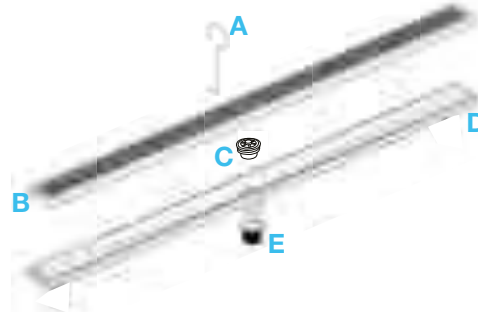
| Square Drain Flange | SKU |
|---------------------|------------------|
| 2" PVC | 83.SQFLG.2.PVC |
| 2" ABS | 83.SQFLG.2.ABS |
| 2" Cast Iron No hub | 83.SQFLG.2.CI |
| 2" Cast Iron FIP | 83.SQFLG.2.CI.IP |

Note: Installer must verify all rough-in dimensions prior to installation and consult local and national codes. Conformity and compliance to local and national codes are the responsibility of the installer. Dimensions are subject to Manufacturers tolerance and change without notice. We can assume no responsibility for use of superseded or voided data.

BAY RIA LINEAR DRAIN

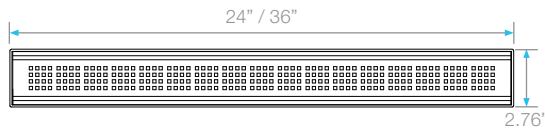
Kit Includes:

- A** Lifting Key
- B** Grate
- C** Odor/Bugs Seal
- D** Base
- E** Threaded Nipple

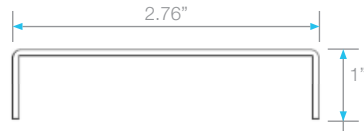


Specifications

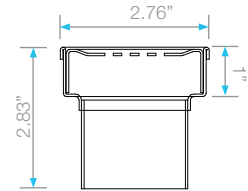
B Grate - Top View



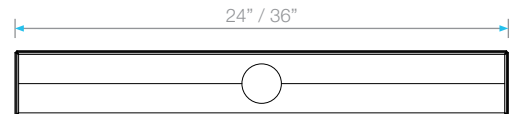
Side View



D Base - Side View



Top View



Features:

- Stainless Steel 304 Gauges:
 - Grates: 16 gauge = 1.5 mm.
 - Base: 18 gauge = 1.2 mm
- Works with 2" ABS, PVC or Cast Iron shower drain flange (not included).
- Standard plain edge is intended for use with traditional waterproofing methods.
- Grate can be removed completely for cleaning.

Complete Kit

| Ria Linear | Length | Satin | Polished | Satin Gold | Black |
|------------|--------|--------------|--------------|--------------|--------------|
| | | SKU | SKU | SKU | SKU |
| | 24" | 38.200.24 ST | 38.200.24 PS | 38.200.24 GD | 38.200.24 BK |
| | 36" | 38.200.36 ST | 38.200.36 PS | 38.200.36 GD | 38.200.36 BK |

Add to Kit (Specification Pages: 131-132)



| Drain Flange | SKU |
|---------------------|----------------|
| 2" PVC | 83.FLG.2.PVC |
| 2" ABS | 83.FLG.2.ABS |
| 2" Cast Iron No hub | 83.FLG.2.CI |
| 2" Cast Iron FIP | 83.FLG.2.CI.IP |



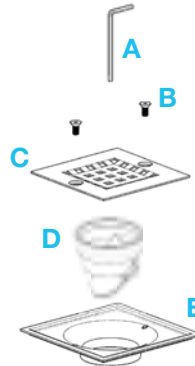
| Square Drain Flange | SKU |
|---------------------|------------------|
| 2" PVC | 83.SQFLG.2.PVC |
| 2" ABS | 83.SQFLG.2.ABS |
| 2" Cast Iron No hub | 83.SQFLG.2.CI |
| 2" Cast Iron FIP | 83.SQFLG.2.CI.IP |

Note: Installer must verify all rough-in dimensions prior to installation and consult local and national codes. Conformity and compliance to local and national codes are the responsibility of the installer. Dimensions are subject to Manufacturers tolerance and change without notice. We can assume no responsibility for use of superseded or voided data.

BAY SQUARE DRAIN

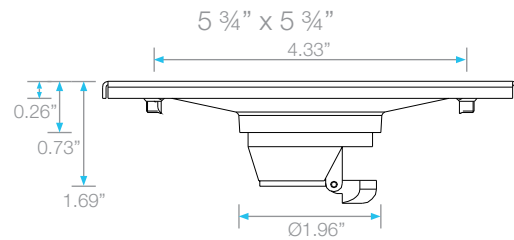
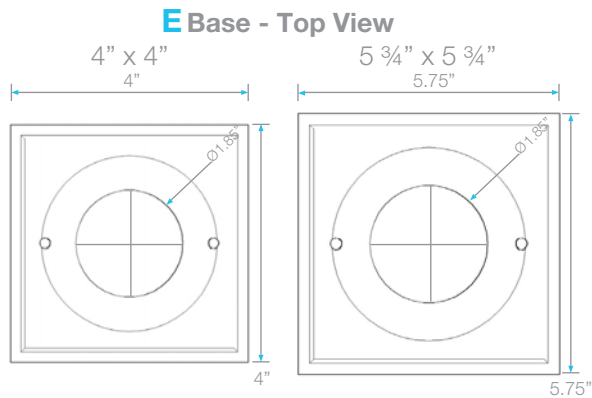
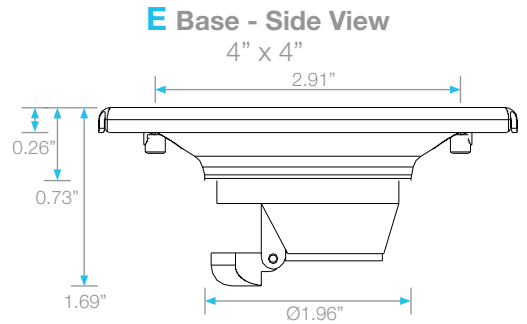
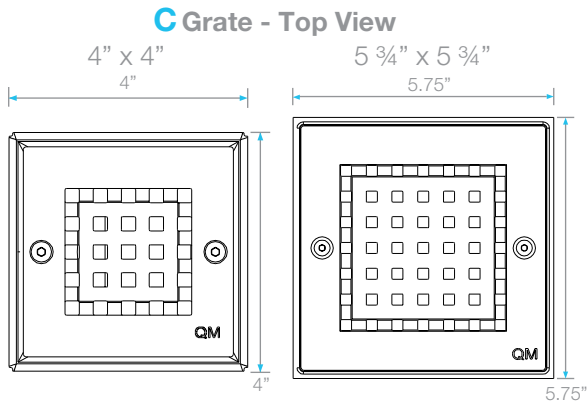
Kit Includes:

- A** Allen Key
- B** Bolts
- C** Grate
- D** Anti Odor Sealer
- E** Base



International
Use Only

Specifications



D Anti Odor Sealer - Perspective View



Complete Kit

Ria
Square



Length

4" x 4"

5 3/4" x 5 3/4"

Satin
SKU

38.100.04 ST

38.100.06 ST

Polished
SKU

38.100.04 PS

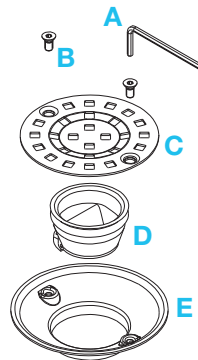
38.100.06 PS

Note: Installer must verify all rough-in dimensions prior to installation and consult local and national codes. Conformity and compliance to local and national codes are the responsibility of the installer. Dimensions are subject to Manufacturers tolerance and change without notice. We can assume no responsibility for use of superseded or voided data.

BAY ROUND DRAIN

Kit Includes:

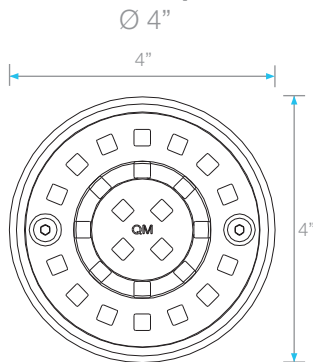
- A** Allen Key
- B** Bolts
- C** Grate
- D** Anti Odor Sealer
- E** Base



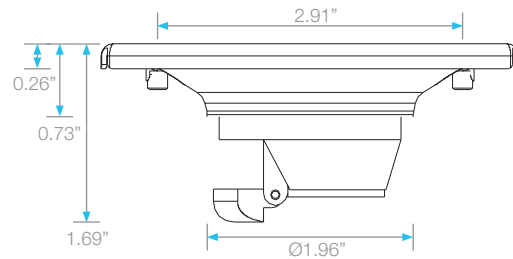
International
Use Only

Specifications

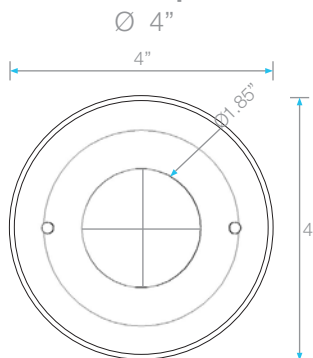
C Grate - Top View



E Base - Side View



E Base - Top View



D Anti Odor Sealer - Perspective View



Complete Kit

Ria
Round

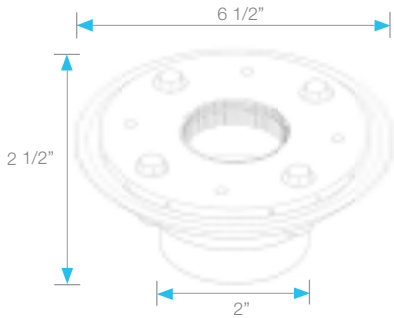


Length
Ø4"

Satin
SKU
38.100.04R ST

Note: Installer must verify all rough-in dimensions prior to installation and consult local and national codes. Conformity and compliance to local and national codes are the responsibility of the installer. Dimensions are subject to Manufacturers tolerance and change without notice. We can assume no responsibility for use of superseded or voided data.

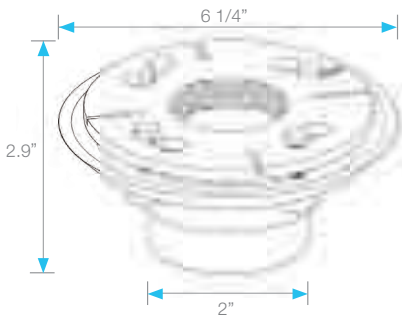
INSTALLATION COMPONENTS



Cast Iron Drain Flange

No hub SKU: 83.FLG.2.CI | FIP SKU: 83.FLG.2.CI.IP

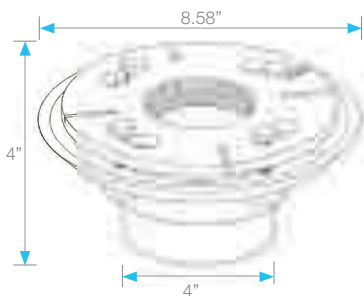
- Clamp down floor drain.
- 2" throat, 2" no hub outlet.
- 6 1/2" overall diameter.
- Waterproofing: PVC/Vinyl liner, Lead/copper pan, Hot mop, Rubber liner, Fiberglass.



PVC/ABS Drain Flange

PVC SKU: 83.FLG.2.PVC | ABS SKU: 83.FLG.2.ABS

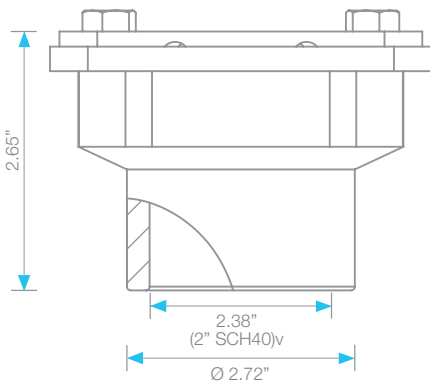
- Clamp down floor drain.
- 2" throat, 2" outlet.
- 6 1/4" overall diameter.
- Waterproofing: PVC/Vinyl liner, Lead/copper pan, Rubber liner, Fiberglass.



3" High Flow PVC Drain Base with Clamping Ring

SKU: 83.FLG.3.PVC

- Clamp down floor drain.
- 3.5" throat, 4" outlet.
- 8.58" overall diameter.
- Waterproofing: PVC/Vinyl liner, Lead/copper pan, Rubber liner, Fiberglass.

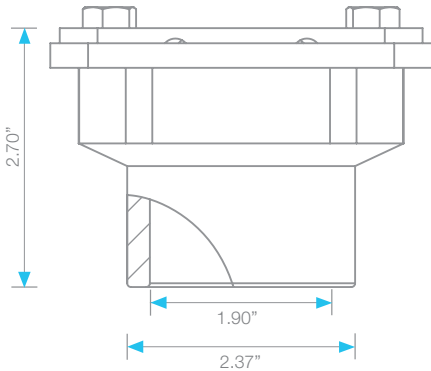


PVC/ABS Square Drain Flange

SKU 83.SQFLG.2.PVC | 83.SQFLG.2.ABS

- 4" x 3-1/2" x 2-3/4" Overall Dimensions
- Fits Shower Drains with 2 - 1 1/2 NPSM Thread
- Cast Iron Sub-Drain & Clamping Ring
- 2" No Hub Outlet Connection
- Has Weep Holes

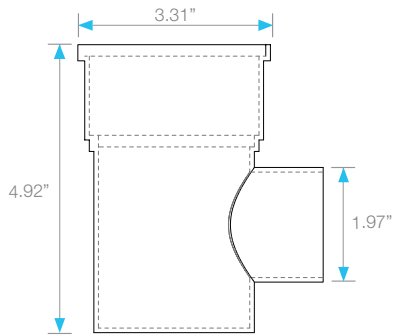
INSTALLATION COMPONENTS



Cast Iron Square Drain Flange

SKU 83.SQFLG.2.CI

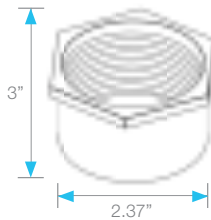
- 4" x 3-1/2" x 2-3/4" Overall Dimensions
- Fits Shower Drains with 2 - 11 1/2 NPSM Thread
- Cast Iron Sub-Drain & Clamping Ring
- 2" No Hub Outlet Connection
- Has Weep Holes



QM Side Outlet Drain Flange with Integrated Threaded Adaptor

SKU: 83.FLG.SO.2

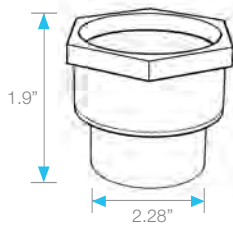
- 3.31" throat, 2" outlet.
- Waterproofing: PVC/Vinyl liner, Lead/copper pan, Rubber liner, Fiberglass.



Adaptor Bonded Flange

SKU: 83.ADAPT.2BF

- To be used with Schluter® integrated bonding flange.
- Follow Schluter®-Shower System Installation Instructions.
- Height adjustable.



Adaptor Reducer

SKU: 83.ADPT.2R

- Allows easy connection between a QM threaded drain outlet to the waste pipe.
- 3.15" x 2" Overall Dimensions
- No Hub Outlet Connection
- Made in ABS plastic

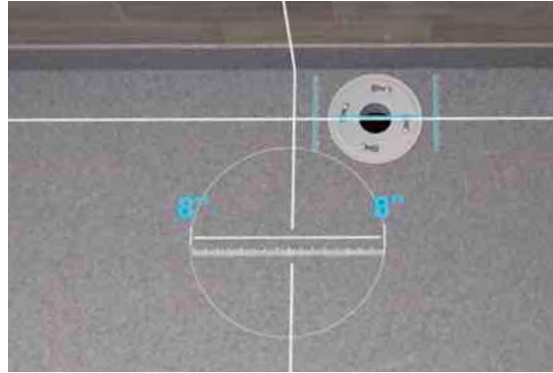
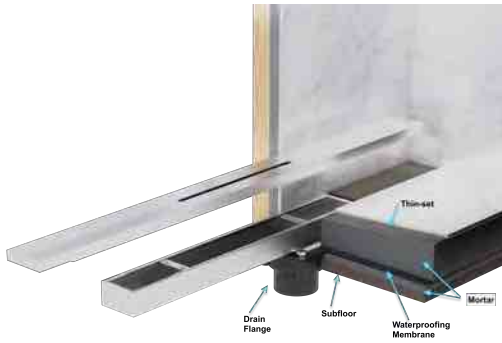


Installation Instructions



Delmar Series Linear Drain. Supreme

Before beginning installation make sure the distance between the center of the shower and the outlet is within 8" of each other



Watch Installation Video



Step 1. Have your shower area ready, waterproofing installed and tested.



Step 2. Mark the center of your shower and screw threaded nipple into the drain flange, adjust to desired height.



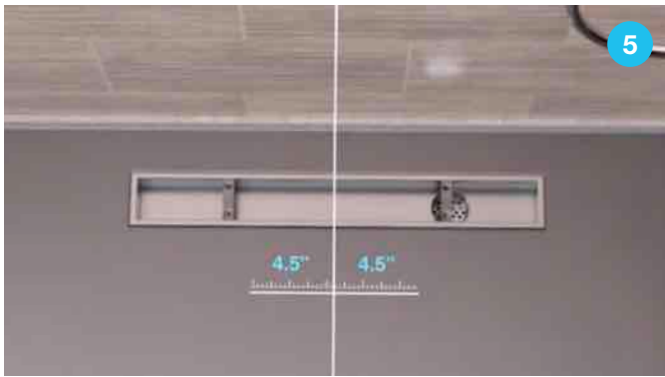
Step 3. Insert the drain channel into the threaded nipple.



Step 4. Trowel mortar to required height.

Note: the longest side of the channel should always go towards the center of the shower.

Tip: measure the floor thickness and leave just the space for thin set and floor tile, taking into consideration the grate height. Your floor should end flush with the grate.



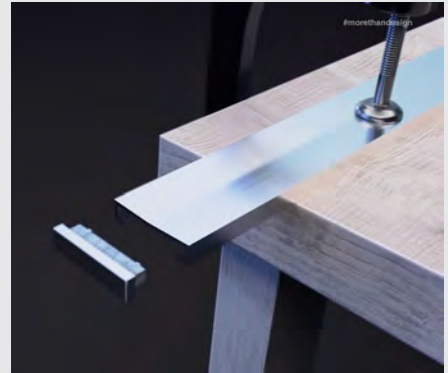
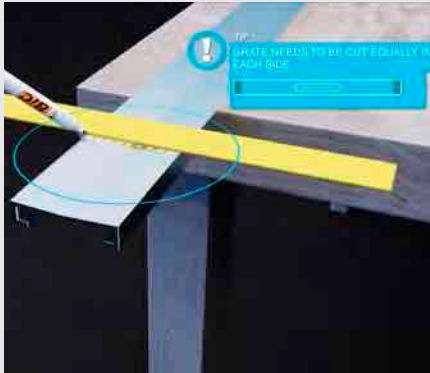
Step 5. Once mortar has cured, move the railing sliders into position, each at 4.5" from the center of the shower.



Step 6. Attach the grate to the channel. With the sliders positioned correctly, place the grate over the base and make sure the grate looks centered in the shower, adjust accordingly.



If grate needs to be cut to specific length, remove the grate end-caps, and cut using a Handheld Hacksaw with 32 TPI for cleanest cut. Only Satin finish drain includes a stainless steel blade in kit. Handheld Hacksaw is recommended for cutting all grates except the satin finish.



watch video

Tips:

- Use painter's tape on grate surface to protect finish when cutting.
- Grate needs to be cut equally on each side.
- Draw a straight line where the cut will be made.
- Clamp grate to stable surface for cutting.
- Gently file edges.
- Do not bend or pull away cut sections, allow them to fall away.
- Re-connect end-caps.



6a. Once grate and slider position are verified, apply sealant around the top edge of the base and thin-set to the bottom of the grate, or remove the paper backing from the sealant tape.



6b. Install grate on top of the base and screw into the sliders using the enclosed screws.



Step 7. Verify that the grate is perfectly straight and level before installing the floor. Use enclosed wedges to raise any part of the grate if needed.



Step 8. Apply thin-set and install tile and grout.



Step 9. Remove the stainless steel protector and place the removable grate.



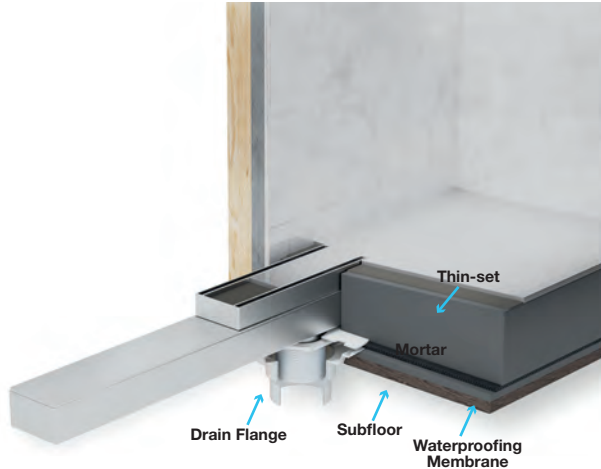
Note:

- Waterproof membrane should be installed and tested per manufacturer's instructions and local building and plumbing codes.
- QM® recommends this product to be installed by a licensed contractor.
- Failure to achieve adequate floor slope will result in standing water problems or slow water flow. Recommended slope for a shower floor is about 4 percent, or a 1/2 inch drop per every 12 inches from the shower walls to the drain.
- QM® Drain fits into the most common 2" ABS, PVC or cast iron shower drain flange.
- Lifting key assists with grate removal.
- Hair strainer basket fits inside the drain to collect hair and other debris preventing pipe clogs. Empty basket as needed to maintain optimal performance. The use of the basket is optional.



Delmar Series Linear Drain. Supreme Tile-in

Before beginning installation make sure the distance between the center of the shower and the outlet is within 8" of each other



STEP 1. Have your shower area ready, waterproofing installed and tested.

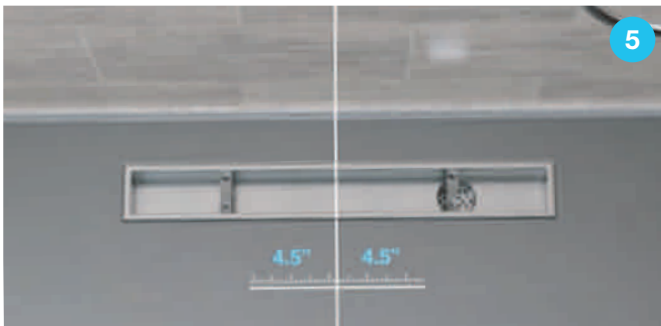
STEP 2. Mark the center of your shower and screw threaded nipple into the drain flange, adjust to desired height.

STEP 3. Insert the drain channel into the threaded nipple.

NOTE: The longest side of the channel should always go towards the center of the shower.

STEP 4. Pour a mortar bed across shower area, pitch at a 1/4" per foot slope in direction towards the shower base. Pitch begins level to the edge of the stainless-steel channel.

STEP 5. Once mortar has cured, move the railing sliders into the position, each at 4.5" from the center of the shower.



STEP 6. Attach the grate to the channel. With the sliders positioned correctly, place the grate over the base and make sure the grate looks centered in the shower, adjust accordingly.

6a. Once grate and slider position are verified, apply sealant around the top edge of the base and thin-set to the bottom of the grate, or remove the paper backing from sealant tape.



6b. Install grate on top of the base and screw into the sliders using the enclosed screws.

STEP 7. Trowel mortar to required height. Apply thin-set and install tile and grout.

TIP: Measure the floor thickness and leave just the space for thin set and floor tile, taking into consideration the grate height. Your floor should end flush with the grate.

NOTE:

- Waterproof membrane should be installed and tested per manufacturer's instructions and local building and plumbing codes.
- QM® recommends this product to be installed by a licensed contractor.
- Failure to achieve adequate floor slope will result in standing water problems or slow water flow. Recommended slope for a shower floor is about 4 percent, or a 1/2" inch drop per every 12 inches from the shower walls to the drain.
- Lifting key assists with grate removal.
- Hair Strainer basket fits inside the drain to collect hair and other debris preventing pipes clogs. Empty basket as needed to maintain optimal performance. The use of the basket is optional.



Delmar Series Linear Drain. Adjustable

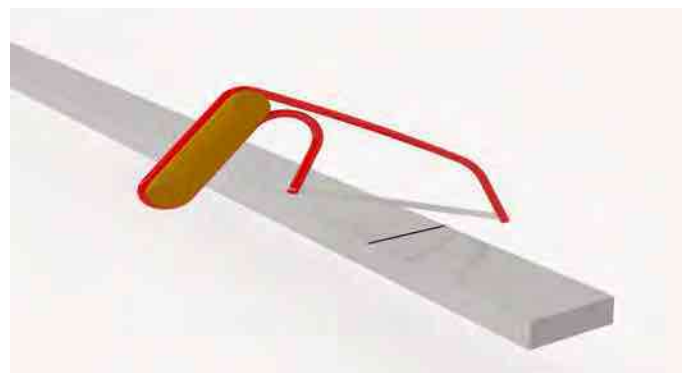
- Step 1.** Determine where the drain will be positioned, frame out shower surround as required.
- Step 2.** Connect drain flange body to the drain pipe, leaving drain bolts in place. Cover the drain opening to prevent floor mortar blocking pipe work.
- Step 3.** Trowel mortar onto subfloor, pitch at a 1/4" per foot slope in direction towards the shower base.
- Step 4.** Install waterproof membrane, reinforce around outlet and cut carefully to expose heads of drain bolts and outlet. Install clamping ring.
- Step 5.** Test membrane for leaks.
- Step 6.** Screw threaded nipple into the drain flange, adjust to desired height.



Watch Installation Video

- Step 7.** Calculate finished drain length, allowing for wall & tile thickness and 8" for the outlet section. For full drain length, cut the channel where the center of the outlet section will be placed. For shorter length, remove equal amounts (half of total amount to be removed) from each cut of channel. Example: if 4" needs to be removed, cut 2" from each side.

Tool: Use enclosed Stainless Steel cutting blade or a Handheld Hacksaw with 32 TPI for cleanest cut.



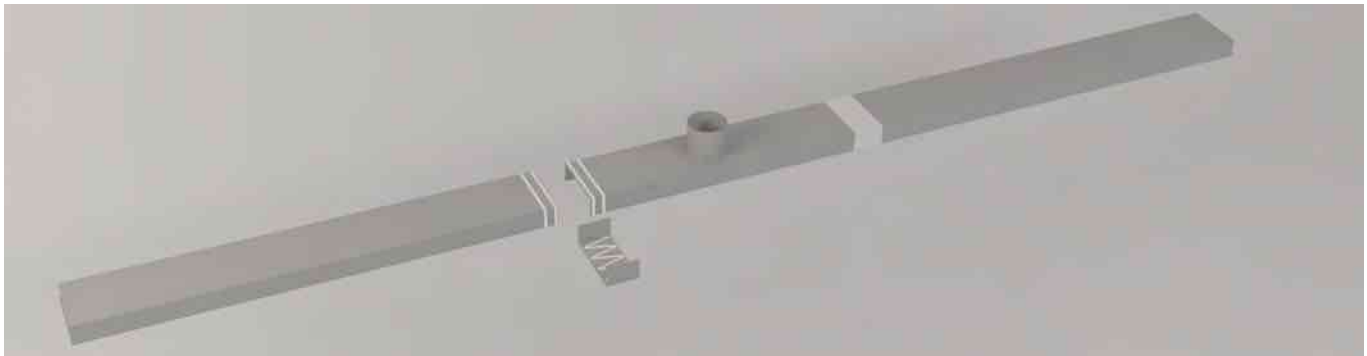
Tips:

- a) Draw a straight line on the back of the channel where the cut will be made.
- b) Clamp channel to stable, level surface for cutting.
- c) Apply WD-40 lubricant for ease of sawing.
- d) Cut drain channel at 45° angles. Use a 30° angle on corners.
- e) Gently file edges with a carpenter file.
- f) Do not bend or pull away pieces being cut from channel, allow cut pieces to fall away.

Step 8. Clean all parts. On a flat, stable surface, align the cut ends of the channel with the outlet section. To join the channel pieces to the outlet, attach joiner strips to the underside of the seams, using provided Sikaflex 1A construction sealant. Remove any Sikaflex spill over. Allow to dry minimum of 8 hours before handling.

Tips:

a) Use Denatured Alcohol to clean.



Step 9. Apply Sikaflex 1A sealant to trim pieces and fit them onto the longer outer edge of the channel. Remove any Sikaflex spill over. Allow to dry minimum of 8 hours before handling.

Tips: Cover the inside of the base with blue painter tape to avoid staining the base with sealant residual.

Step 10. Place the drain channel into the threaded nipple. Use the adjustable feet to keep the drain channel into the correct position and level.

Step 11. Trowel mortar to required height

Step 12. Once floor mortar has cured, apply thin set and install tile and grout

Step 13. Place the grate into the channel. Note: the grate might need to be cut to fit inside the channel easily. **For Mist** spread a layer of mortar into the grate, allowing for thinset and material to finish flush with metal frame.

Tool: Cut using a Handheld Hacksaw with 32 TPI for cleanest cut. Only Satin finish drain includes a stainless steel blade in kit. Handheld Hacksaw is recommended for cutting all grates except the satin finish.

Tips:

- a) Draw a straight line where the cut will be made.
- b) Clamp grate to stable, level surface for cutting.
- c) Apply WD-40 lubricant for ease of sawing.
- d) Cut drain channel at 45° angle.
- e) Gently file edges with a carpenter file.
- f) Do not bend or pull away cut sections, allow them to fall away.

Note:

- Hair Strainer basket fits inside the drain to collect hair and other debris preventing clogged pipes. Empty basket as needed to maintain optimal performance. The use of the basket is optional.
- Waterproof membrane shall be installed and tested per manufacturer's instructions and local building and plumbing codes.
- QM recommends this product to be installed by a licensed contractor.
- QMDrain fits into most common 2" ABS, PVC or Cast Iron shower drain flange.
- Lifting key assists with grate removal.
- Failure to achieve adequate floor slope will result in standing water problems or slow water flow.



Watch Cutting Video

Linear Drain Standard Length. Standard Plain Edge Base. Standard Waterproofing

Step 1. Determine where the drain will be positioned, frame out shower surround as required.

Step 2. Connect drain flange body to the drain pipe, leaving drain bolts in place. Block drain opening with rag to prevent floor mortar blocking pipe work.

Step 3. Trowel mortar onto subfloor, pitch at a 1/4" per foot slope in direction towards the shower base.

Step 4. Install waterproof membrane, reinforce around outlet and cut carefully to expose heads of drain bolts and outlet. Install clamping ring.

Step 5. Test membrane for leaks.

Step 6. Screw threaded nipple into the drain flange, adjust to desired height.

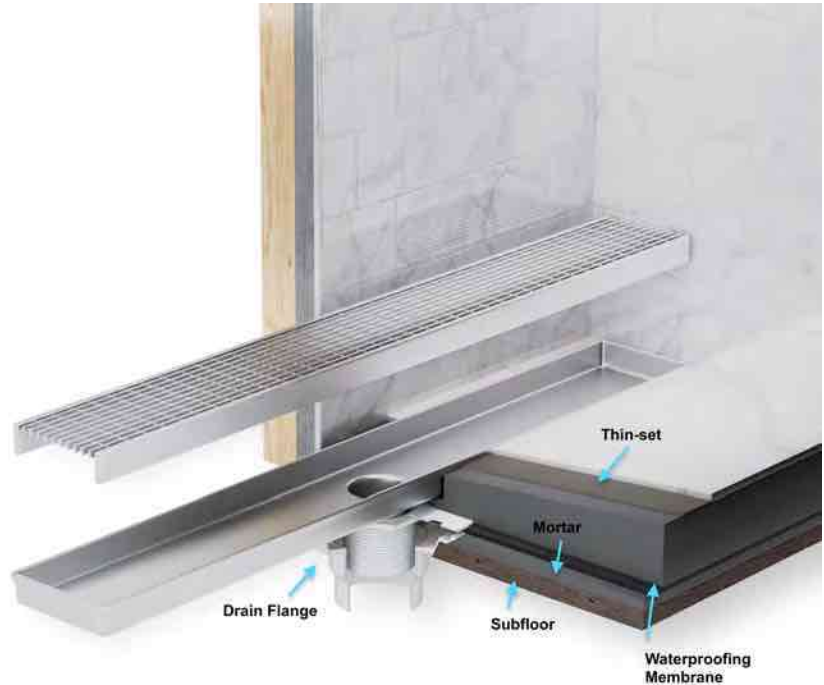
Step 7. Place the drain channel into the threaded nipple. Use the adjustable feet to keep the drain channel in the correct position and level

Step 8. Trowel mortar to required height.

Step 9. Once floor mortar has cured, apply thin set and install tile and grout.

Step 10. Install the grate into the shower linear base.
For Mist (Tile-in) spread a layer of mortar into the grate, allowing for thinset and material to finish flush with metal frame.

For Bay 2-in-1 Reversible Grate drain comes preselected in the Smooth Satin Stainless Steel side, if the desire side to use is the Tile-In, please remove Plastic Legs from the grate using Key included in set, and place Plastic Legs back on the opposite side. Ensure Legs are fully snapped on grate.



Note:

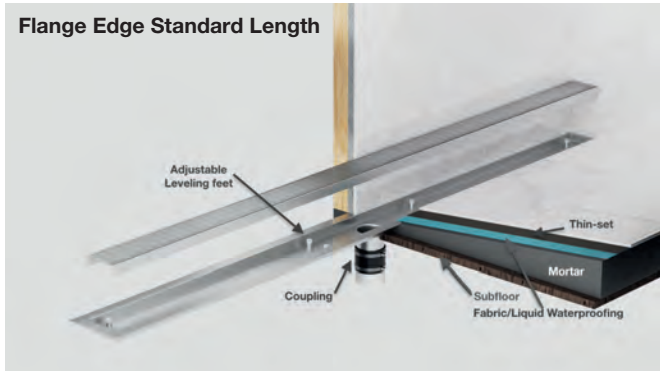
- Waterproof membrane should be installed and tested per manufacturer’s instructions and local building and plumbing codes.
- QM recommends this product to be installed by a licensed contractor.
- QM drain fits into most common 2” ABS, PVC or Cast Iron shower drain flange.
- Hair Stainer basket fits inside the drain to collect hair and other debris preventing pipe clogs. Empty basket as needed to maintain optimal performance. The use of the basket is optional.
- Lifting key assists with grate removal.
- Failure to achieve adequate floor slope will result in standing water problems or slow water flow.



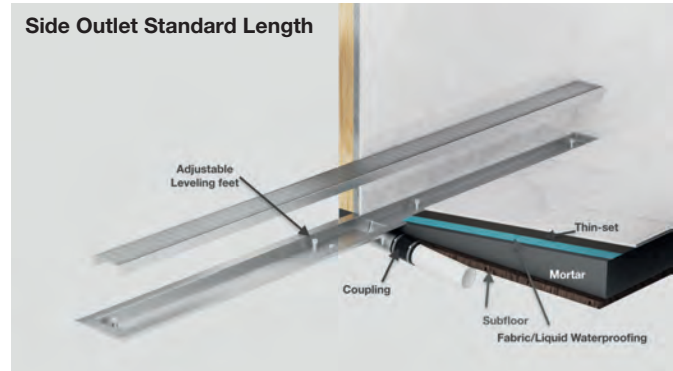
Watch Installation Video

Delmar Series Linear Drain. Flange Edge and Side Outlet Flange Edge Standard Length

Flange Edge Standard Length



Side Outlet Standard Length



WATERPROOFING METHODS:

Modern Waterproofing methods: Liquid and Fabric Waterproofing.

ACCESS TO PLUMBING FROM BELOW:

If there is access to the plumbing from below, the waste line can be connected after installing the QM Drain; the drain can be installed in conjunction with the mortar bed.

STEP 1. Determine where the drain will be positioned, frame out shower surround as required.

STEP 2. Spread a preliminary mortar bed across the intended drain location. Set drain into mortar bed. Connect the outlet section to the existing waste pipe via 2" no hub coupling. Allow stainless steel channel to sit onto subfloor. Make sure the channel is completely level.

NO ACCESS TO PLUMBING FROM BELOW:

When there is limited or no access to the plumbing from below: Measure the distance from the top of the existing waste line to the top of the subfloor. Determine the distance from the bottom of the outlet section to the top of the existing waste pipe. Cut a 2" PVC or ABS pipe to a length 1/8" less than this dimension. Bond the 2" PVC/ABS pipe to a 2" Rubber Coupling using PVC/ABS primer and cement. Connect the other end of the 2" PVC/ABS pipe to the outlet section via a 2" no hub rubber coupling. Bond the free end of the 2" pipe and coupling assembly to the existing waste pipe using PVC/ABS primer and cement.

STEP 3. Pour a mortar bed across shower area, pitch at a 1/4" per foot slope in direction towards the shower base. Pitch begins level to the edge of the stainless-steel channel.

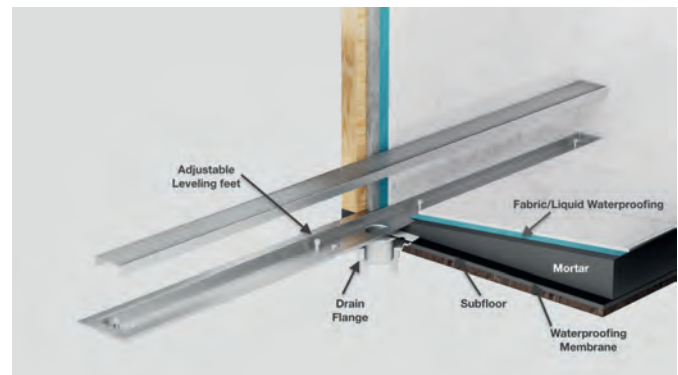
STEP 4. Install waterproofing when mortar is dry, liquid membrane or sheet membrane as per manufacturer's instructions. Paint or bond waterproofing directly to the base flange edge.

STEP 6. Once waterproofing is dry, apply thin-set and install tile and grout. Note: Tile can't cover the channel.

STEP 7. Install the grate into the shower linear base. Use adjustable level feet located inside the channel to raise or lower the grate to finish flush with the floor height.

For Mist (Tile-in) grate, spread a layer of thin-set mortar to the underside of the tile and set on the top of the grate. Remove any excess of material.

For a Double waterproofing installation: refer to Linear Drain Standard Installation step 1 to 7 and then continue at step 3.



NOTE:

- Waterproof membrane should be installed and tested per manufacturer's instructions and local building and plumbing codes.
- QM® recommends this product to be installed by a licensed contractor.
- Failure to achieve adequate floor slope will result in standing water problems or slow water flow. Recommended slope for a shower floor is about 4 percent, or a 1/2" inch drop per every 12 inches from the shower walls to the drain.
- Lifting key assists with grate removal.
- Hair Strainer basket fits inside the drain to collect hair and other debris preventing pipes clogs. Empty basket as needed to maintain optimal performance. The use of the basket is optional.

Center Drain. Standard waterproofing

Step 1. Frame out shower surround as required.

Step 2. Connect drain flange body to the drain pipe, leaving drain bolts in place. Block drain opening with rag to prevent floor mortar blocking pipe work.

Step 3. Trowel mortar bed over subfloor, pitch at a 1/4" per foot slope in four directions towards the shower base.

Step 4. Install waterproof membrane, reinforce around outlet and cut carefully to expose heads of drain bolts and outlet. Install clamping ring.

Step 5. Test membrane for leaks.

Step 6. Screw the QM drain base into the drain flange, adjust height as needed. Proper height should be determined by flooring contractor.

Step 7. Trowel mortar to required height.

Step 8. Once floor mortar has cured, apply thin set and install tile and grout.

Step 9. Install the grate into QM drain base. **For Mist or Veil (Tile-in)** spread a layer of mortar into the grate, allowing for thinset and material to finish flush with metal frame.



Watch Installation Video

Note:

- Waterproof membrane should be installed and tested per manufacturer's instructions, local building and plumbing codes.
- QM recommends this product to be installed by a licensed contractor.
- QM drain fits into most common 2" ABS, PVC or Cast Iron shower drain flange.
- Hair stainer basket fits inside the drain to collect hair and other debris, preventing pipe clogs. Empty basket as needed to maintain optimal performance. The use of the basket is optional.
- Lifting key assists with grate removal.
- Failure to achieve adequate floor slope will result in standing water problems or slow water flow.

- Modern Waterproofing: If Bonded Flange is intended to use, please add Adaptor SKU: 83.ADAPT.2BF



Center Drain Installation for concrete slab

Step 1. Frame out shower surround as required.

Step 2. Connect drain outlet **A** to waste pipe **B** using our reducer adaptor. Reducer fits inside the pipe; bond using PVC/ABS cement/primer.

Step 3. Pour concrete slurry to the height of the channel bottom, pitch at a 1/4" per foot slope in four directions towards the shower base.

Step 4. Install waterproofing membrane per manufacturer's instructions, fully covering concrete.

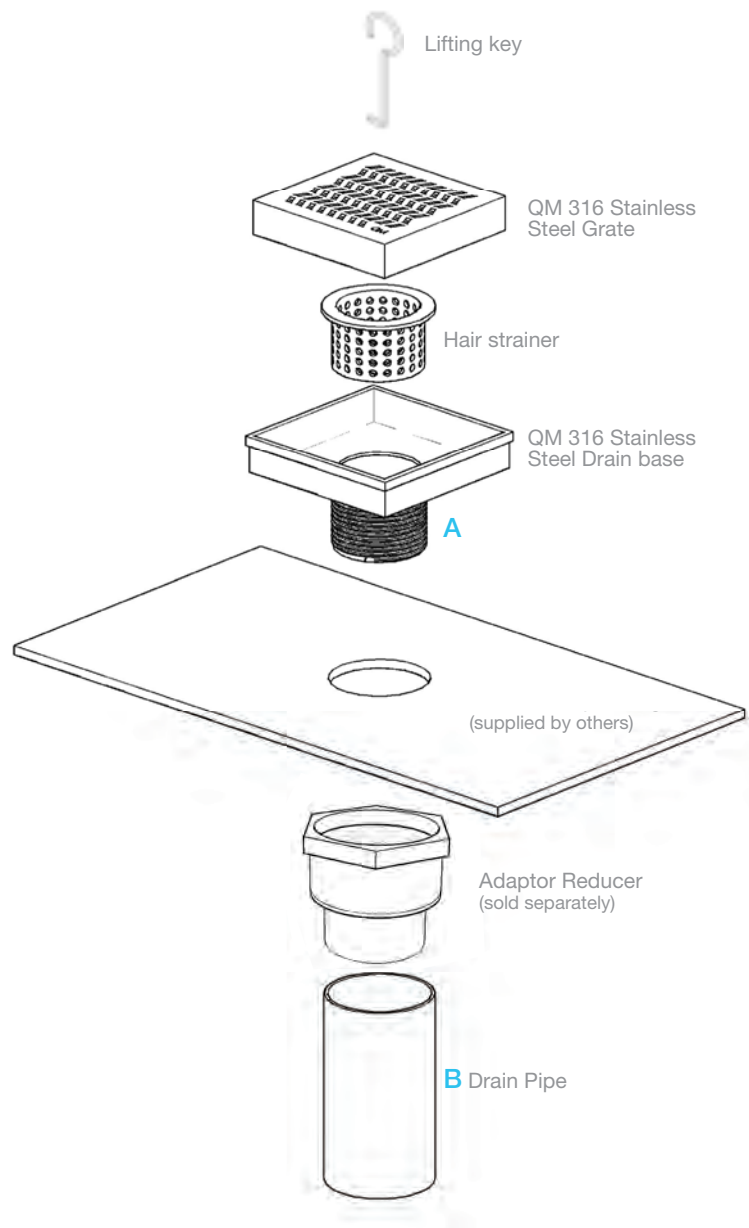
Step 5. Trowel mortar to required height.

Step 6. Once floor mortar has cured, apply thin-set and install tile and grout.

Step 7. Install the grate into the shower linear base. **For Mist or Veil (Tile-in)** spread a layer of mortar into the grate, allowing for thinset and material to finish flush with metal frame.

Note:

- QM recommends this product to be installed by a licensed contractor.
- Hair Stainer basket fits inside the drain to collect hair and other debris preventing pipe clogs. Empty basket as needed to maintain optimal performance. The use of the basket is optional.
- Lifting key assists with grate removal.
- Failure to achieve adequate floor slope will result in standing water problems or slow water flow.



Lagos Series Linear Drain. Adjustable



Step 1. Determine where the drain will be positioned, frame out shower surround as required.

Step 2. Connect drain flange body to the drain pipe, leaving drain bolts in place. Cover the drain opening to prevent floor mortar blocking pipe work.

Step 3. Trowel mortar onto subfloor, pitch at a 1/4" per foot slope in direction towards the shower base.

Step 4. Install waterproof membrane, reinforce around outlet and cut carefully to expose heads of drain bolts and outlet. Install clamping ring.

Step 5. Test membrane for leaks.

Step 6. Screw threaded nipple into the drain flange, adjust to desired height.

Step 7. Calculate finished drain length, allowing for wall & tile thickness and 8" for the outlet section **H**.

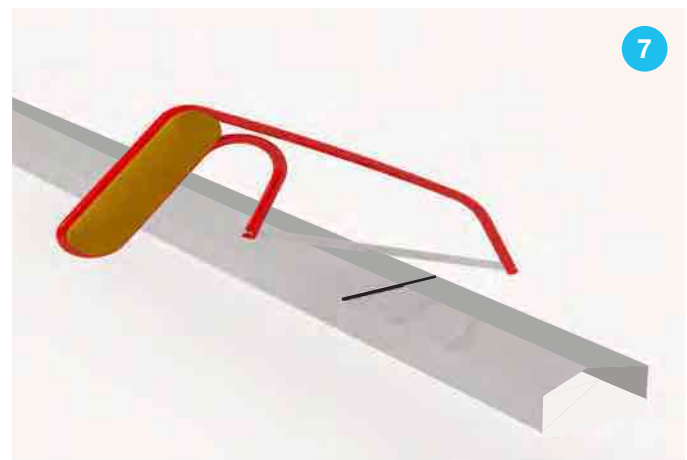
For full drain length, cut the base **E** where the center of the outlet section will be placed.

For shorter length, remove equal amounts (half of total amount to be removed) from each cut of base. (Example: if 4" needs to be removed, cut 2" from each side).

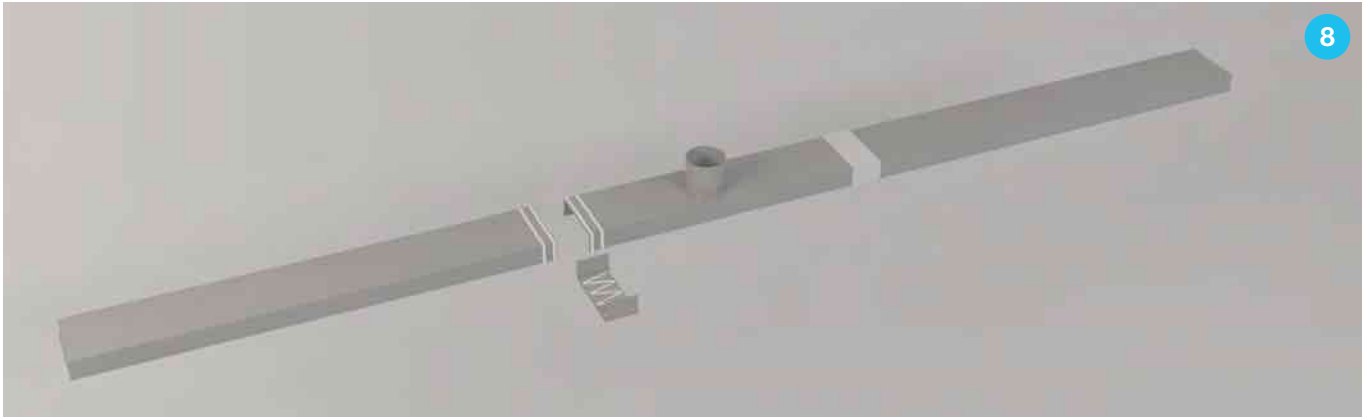
Tool: Use enclosed Stainless Steel cutting blade or a Handheld Hacksaw with 32 TPI for cleanest cut.

Tips:

- Draw a straight line on the back of the base where the cut will be made.
- Clamp base to stable, level surface for cutting.
- Cut drain base at 45° angles. Use a 30° angle on corners.
- Gently file edges.
- Do not bend or pull away pieces being cut from base, allow cut pieces to fall away.



8



Step 8. Clean all parts. On a flat, stable surface, align the cut ends of the base with the outlet section. To join the base pieces to the outlet, attach joiner strips to the underside of the seams, using clear PVC primer and PVC cement.

Step 9. Glue the channel end caps to the channel using clear PVC primer and PVC cement.



10

Step 10. Glue the trim pieces on each edge of the channel.

Tips: Cover the inside of the base with blue painter tape to avoid staining the base with sealant residual.



11

Step 11. Place the drain base into the threaded nipple. Use the adjustable feet to keep the drain channel into the correct position and level.

Tips: If it is necessary create a mortar bed under the length of the base to ensure support. Make sure base is straight and level before continuing with next step.

Step 12. Trowel mortar to required height.

Step 13. Once floor mortar has cured, apply thin set and install tile and grout.

Step 14. Place the grate into the base. Note: the grate might need to be cut to fit inside the base easily. **For Mist** spread a layer of mortar into the grate, allowing for thinset and material to finish flush with metal frame. **Tool:** Cut using a Handheld Hacksaw with 32 TPI for cleanest cut. Only Satin finish drain includes a stainless steel blade in kit. Handheld Hacksaw is recommended for cutting all grates except the satin finish.

Note:

- Hair Strainer basket fits inside the drain to collect hair and other debris preventing clogged pipes. Empty basket as needed to maintain optimal performance. The use of the basket is optional.
- Waterproof membrane shall be installed and tested per manufacturer's instructions and local building and plumbing codes.
- QM Drain recommends this product to be installed by a licensed contractor.
- QM Drain fits into most common 2" ABS, PVC or Cast Iron shower drain flange.
- Lifting key assists with grate removal.
- Failure to achieve adequate floor slope will result in standing water problems or slow water flow.



Watch Cutting Video

Bay Series Ria Center Drain. Installation for concrete slab

Step 1. Frame out shower surround as required.

Step 2. Connect drain outlet **A** to waste pipe **B**.

Step 3. Pour concrete slurry to the height of the channel bottom **C**, pitch at a 1/4" per foot slope in four directions towards the shower base.

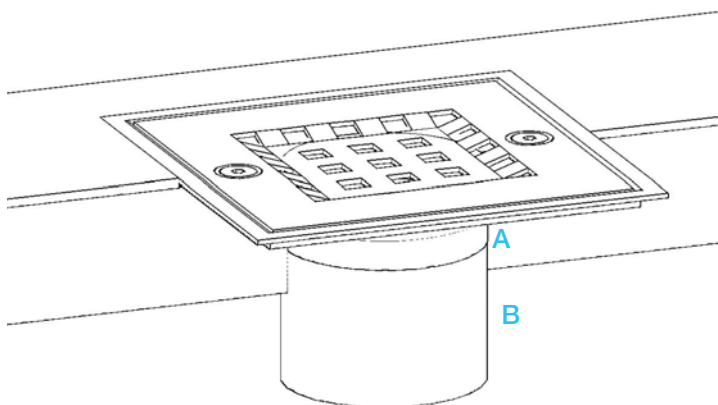
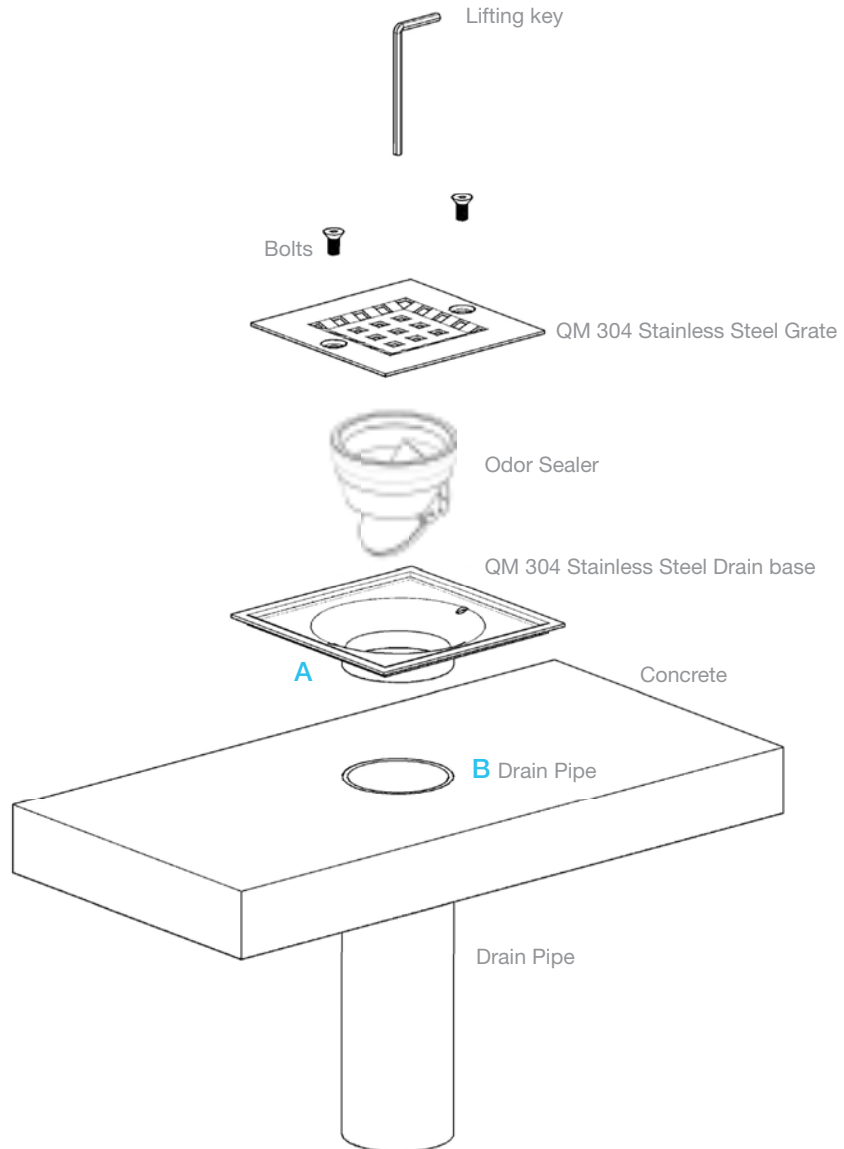
Step 4. Trowel mortar to required height.

Step 5. Once floor mortar has cured, apply thin set and install tile and grout.

Step 6. Install the grate into the shower linear base.

Note:

- QM recommends this product to be installed by a licensed contractor.
- Lifting key assists with grate removal.
- Failure to achieve adequate floor slope will result in standing water problems or slow water flow.







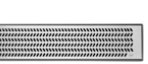


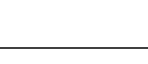













Components & Parts







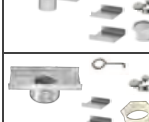



Standard Length Linear Drain Components

| Series | Class | Type | Line | Finish | Image | SKU | Size | MSRP | |
|--|---|-----------------------------|--|--|--|--|---------------|--------|--------|
| D e l m a r S e r i e s | L i n e a r D r a i n | Standard Length | Parts: Plain Edge Channel | Satin |  | 33.24 ST | 24" | \$ 210 | |
| | | | | | | 33.28 ST | 28" | \$ 225 | |
| | | | | | | 33.32 ST | 32" | \$ 250 | |
| | | | | | | 33.36 ST | 36" | \$ 270 | |
| | | | | | | 33.48 ST | 48" | \$ 350 | |
| | | | | | | 33.58 ST | 58" | \$ 380 | |
| | | | | Black |  | 33.24 BK | 24" | \$ 265 | |
| | | | | | | 33.28 BK | 28" | \$ 280 | |
| | | | | | | 33.32 BK | 32" | \$ 310 | |
| | | | | | | 33.36 BK | 36" | \$ 330 | |
| | | | | | | 33.48 BK | 48" | \$ 385 | |
| | | | | | | 33.58 BK | 58" | \$ 440 | |
| | | | | Bronze |  | 33.24 BZ | 24" | \$ 265 | |
| | | | | | | 33.28 BZ | 28" | \$ 280 | |
| | | | | | | 33.32 BZ | 32" | \$ 305 | |
| | | | | | | 33.36 BZ | 36" | \$ 330 | |
| | | | | | | 33.48 BZ | 48" | \$ 385 | |
| | | | | | | 33.58 BZ | 58" | \$ 440 | |
| | | | | Gold |  | 33.24 GD | 24" | \$ 265 | |
| | | | | | | 33.28 GD | 28" | \$ 280 | |
| | | | | | | 33.32 GD | 32" | \$ 305 | |
| | | | | | | 33.36 GD | 36" | \$ 325 | |
| | | | | | | 33.48 GD | 48" | \$ 385 | |
| | | | | | | 33.58 GD | 58" | \$ 440 | |
| | | Standard Length Flange Edge | Parts: Flange Edge Channel | Satin |  | 33.24F ST | 24" | \$ 300 | |
| | | | | | | 33.28F ST | 28" | \$ 325 | |
| | | | | | | 33.32F ST | 32" | \$ 365 | |
| | | | | | | 33.36F ST | 36" | \$ 385 | |
| | | | | | | 33.48F ST | 48" | \$ 490 | |
| | | | | | | 33.58F ST | 58" | \$ 575 | |
| | | Side Outlet Flange Edge | Parts: Flange Edge Side Outlet Channel | Satin |  | 33.24FSO ST | 24" | \$ 350 | |
| | | | | | | 33.28FSO ST | 28" | \$ 380 | |
| | | | | | | 33.32FSO ST | 32" | \$ 415 | |
| | | | | | | 33.36FSO ST | 36" | \$ 450 | |
| | | | | | | 33.48FSO ST | 48" | \$ 550 | |
| | | | | | | 33.58FSO ST | 58" | \$ 650 | |
| | | Standard Length | | Parts: Nami Grate | Satin |  | 33.G100.24 ST | 24" | \$ 145 |
| | | | | | | | 33.G100.28 ST | 28" | \$ 165 |
| | | | | | | | 33.G100.32 ST | 32" | \$ 175 |
| | | | | | | | 33.G100.36 ST | 36" | \$ 190 |
| | | | | | | | 33.G200.24 ST | 24" | \$ 145 |
| | | | | | | | 33.G200.28 ST | 28" | \$ 160 |
| | | | | Parts: Kai Grate | Satin |  | 33.G200.32 ST | 32" | \$ 175 |
| | | | | | | | 33.G200.36 ST | 36" | \$ 190 |
| | | | | | | | 33.G300.24 ST | 24" | \$ 145 |
| | | | | | | | 33.G300.28 ST | 28" | \$ 160 |
| | | | | | | | 33.G300.32 ST | 32" | \$ 175 |
| | | | | | | | 33.G300.36 ST | 36" | \$ 190 |
| Parts: Delta Grate | Satin | | |  | 33.G300.48 ST | 48" | \$ 235 | | |
| | | | | | 33.G300.58 ST | 58" | \$ 270 | | |
| | | | | | Polished |  | 33.G300.24 PS | 24" | \$ 160 |
| | | | | | | | 33.G300.28 PS | 28" | \$ 175 |
| | | | | | | | 33.G300.32 PS | 32" | \$ 195 |
| | | | | | 33.G300.36 PS | 36" | \$ 210 | | |
| 33.G300.48 PS | 48" | \$ 260 | | | | | | | |
| 33.G300.58 PS | 58" | \$ 295 | | | | | | | |

Standard Length Linear Drain Components

| Series | Class | Type | Line | Finish | Image | SKU | Size | MSRP |
|--|--|-----------------|---|---------------|--|----------------|--------|--------|
| D e l m a r S e r i e s | L i n e a r D r a i n | Standard Length | Parts: Lotus Grate | Black |  | 33.G400.24 BK | 24" | \$ 200 |
| | | | | | | 33.G400.28 BK | 28" | \$ 235 |
| | | | | | | 33.G400.32 BK | 32" | \$ 250 |
| | | | | | | 33.G400.36 BK | 36" | \$ 275 |
| | | | | | | 33.G400.48 BK | 48" | \$ 360 |
| | | | | 33.G400.58 BZ | 58" | \$ 425 | | |
| | | | | Bronze |  | 33.G400.24 BZ | 24" | \$ 200 |
| | | | | | | 33.G400.28 BZ | 28" | \$ 235 |
| | | | | | | 33.G400.32 BZ | 32" | \$ 250 |
| | | | | | | 33.G400.36 BZ | 36" | \$ 275 |
| | | | | | | 33.G400.48 BZ | 48" | \$ 360 |
| | | | | 33.G400.58 BZ | 58" | \$ 425 | | |
| | | | | Gold |  | 33.G400.24 GD | 24" | \$ 200 |
| | | | | | | 33.G400.28 GD | 28" | \$ 235 |
| | | | | | | 33.G400.32 GD | 32" | \$ 250 |
| | | | 33.G400.36 GD | | | 36" | \$ 275 | |
| | | | 33.G400.48 GD | | | 48" | \$ 360 | |
| | | | 33.G400.58 GD | 58" | \$ 425 | | | |
| | | | Parts: Mist (Tile-In) Grate | Satin |  | 33.G500.24 ST | 24" | \$ 255 |
| | | | | | | 33.G500.28 ST | 28" | \$ 270 |
| | | | | | | 33.G500.32 ST | 32" | \$ 275 |
| | | | | | | 33.G500.36 ST | 36" | \$ 295 |
| | | | | | | 33.G500.48 ST | 48" | \$ 345 |
| | | | | 33.G500.58 ST | 58" | \$ 445 | | |
| | | | | Black |  | 33.G500.24 BK | 24" | \$ 300 |
| | | | | | | 33.G500.28 BK | 28" | \$ 315 |
| | | | | | | 33.G500.32 BK | 32" | \$ 320 |
| | | | | | | 33.G500.36 BK | 36" | \$ 335 |
| | | | 33.G500.48 BK | | | 48" | \$ 410 | |
| | | | 33.G500.58 BK | 58" | \$ 490 | | | |
| | | | Parts: Mist (Tile-In) Flange Edge Grate | Satin |  | 33.G500.24F ST | 24" | \$ 140 |
| | | | | | | 33.G500.28F ST | 28" | \$ 160 |
| | | | | | | 33.G500.32F ST | 32" | \$ 180 |
| | | | | | | 33.G500.36F ST | 36" | \$ 195 |
| | | | | | | 33.G500.48F ST | 48" | \$ 255 |
| | | | 33.G500.58F ST | 58" | \$ 305 | | | |
| | | | Parts: Wedgewire Grate | Satin |  | 33.G700.24 ST | 24" | \$ 440 |
| | | | | | | 33.G700.28 ST | 28" | \$ 480 |
| | | | | | | 33.G700.32 ST | 32" | \$ 525 |
| | | | | | | 33.G700.36 ST | 36" | \$ 570 |
| | | | | | | 33.G700.48 ST | 48" | \$ 700 |
| | | | | 33.G700.58 ST | 58" | \$ 815 | | |
| | | | | Polished |  | 33.G700.24 PS | 24" | \$ 525 |
| | | | | | | 33.G700.28 PS | 28" | \$ 585 |
| | | | | | | 33.G700.32 PS | 32" | \$ 655 |
| 33.G700.36 PS | 36" | \$ 715 | | | | | | |
| 33.G700.48 PS | 48" | \$ 960 | | | | | | |
| 33.G700.58 PS | 58" | \$ 1,105 | | | | | | |
| Black |  | 33.G700.24 BK | | 24" | \$ 525 | | | |
| | | 33.G700.28 BK | | 28" | \$ 585 | | | |
| | | 33.G700.32 BK | | 32" | \$ 655 | | | |
| | | 33.G700.36 BK | 36" | \$ 715 | | | | |
| | | 33.G700.48 BK | 48" | \$ 960 | | | | |
| 33.G700.58 BK | 58" | \$ 1,105 | | | | | | |

Adjustable Linear Drain Components

| Series | Class | Type | Line | Finish | Image | SKU | Size | MSRP | | | |
|---|--|------------------------|--|--|--|------------------|--|--------|--------------|-----|-------|
| L i n e a r D r a i n | A d j u s t a b l e | Delmar Series | Base Kit (everything except the grate) | Satin |  | 33.B600.36 ST | 36" | \$ 315 | | | |
| | | | | | | 33.B600.48 ST | 48" | \$ 385 | | | |
| | | | | | | 33.B600.60 ST | 60" | \$ 460 | | | |
| | | | | | | 33.B600.72 ST | 72" | \$ 525 | | | |
| | | | | | | 33.B600.96 ST | 96" | \$ 670 | | | |
| | | | | Polished |  | 33.B600.36 PS | 36" | \$ 315 | | | |
| | | | | | | 33.B600.48 PS | 48" | \$ 385 | | | |
| | | | | | | 33.B600.60 PS | 60" | \$ 460 | | | |
| | | | | | | 33.B600.72 PS | 72" | \$ 525 | | | |
| | | | | | | 33.B600.96 PS | 96" | \$ 670 | | | |
| | | | | Black |  | 33.B600.36 BK | 36" | \$ 390 | | | |
| | | | | | | 33.B600.48 BK | 48" | \$ 470 | | | |
| | | | | | | 33.B600.60 BK | 60" | \$ 560 | | | |
| | | | | | | 33.B600.72 BK | 72" | \$ 675 | | | |
| | | | | | | 33.B600.96 BK | 96" | \$ 840 | | | |
| | | Parts: Channel Only | Satin |  | 33.600.28 ST | 36" | \$ 205 | | | | |
| | | | | | 33.600.40 ST | 48" | \$ 260 | | | | |
| | | | | | 33.600.52 ST | 60" | \$ 320 | | | | |
| | | | | | 33.600.64 ST | 72" | \$ 370 | | | | |
| | | Parts: Accessories Kit | Satin |  | 33.601.2OUT | | \$ 65 | | | | |
| | | | | | 33.601.3HF | | \$ 130 | | | | |
| | | | | | 33.601.COR | | \$ 90 | | | | |
| | | Lagos Series | Parts: Channel Only |  | 88.600.36 | 36" | \$ 55 | | | | |
| | | | | | 88.600.48 | 48" | \$ 75 | | | | |
| | | | | | 88.600.60 | 60" | \$ 90 | | | | |
| | | | | | 88.600.72 | 72" | \$ 110 | | | | |
| | | | | | 88.600.96 | 96" | \$ 145 | | | | |
| | | | Parts: Accessories Kit |  | 88.601.2OUT | | \$ 50 | | | | |
| | | | | | 88.601.3HF | | \$ 70 | | | | |
| | | | | | 88.601.COR | 12" | \$ 40 | | | | |
| | | | | | Delmar & Lagos Series | Parts: Trims (2) |  | Satin | 33.601.36 ST | 36" | \$ 45 |
| | | | | | | | | | 33.601.48 ST | 48" | \$ 60 |
| | | 33.601.60 ST | 60" | \$ 75 | | | | | | | |
| Polished | 33.601.72 ST | 72" | \$ 90 | | | | | | | | |
| | 33.601.96 ST | 96" | \$ 120 | | | | | | | | |
| | 33.601.36 PS | 36" | \$ 45 | | | | | | | | |
| | 33.601.48 PS | 48" | \$ 60 | | | | | | | | |
| | 33.601.60 PS | 60" | \$ 75 | | | | | | | | |
| | 33.601.72 PS | 72" | \$ 90 | | | | | | | | |
| Black | 33.601.96 PS | 96" | \$ 120 | | | | | | | | |
| | 33.601.36 BK | 36" | \$ 120 | | | | | | | | |
| | 33.601.48 BK | 48" | \$ 145 | | | | | | | | |
| 33.601.60 BK | 60" | \$ 175 | | | | | | | | | |
| 33.601.72 BK | 2x36" | \$ 240 | | | | | | | | | |
| 33.601.96 BK | 2X48" | \$ 290 | | | | | | | | | |






























QM USA, Corp.
 4100 N Powerline Road, Suite Z
 Pompano Beach, FL, USA 33073
 P: 954 773 9450 • info@qm-us.com
www.qmdrain.com

Adjustable Linear Drain Components

| Series | Class | Type | Line | Finish | Image | SKU | Size | MSRP |
|---|--|--------------------------|-------------------------|---------------|--------|---------------|----------|---------------|
| L i n e a r D r a i n | A d j u s t a b l e | Delmar & Lagos Series | Parts: Wedgewire Grate | Satin | | 33.G610.36 ST | 36" | \$ 570 |
| | | | | | | 33.G610.48 ST | 48" | \$ 700 |
| | | | | | | 33.G610.60 ST | 60" | \$ 845 |
| | | | | | | 33.G610.72 ST | 72" | \$ 975 |
| | | | | | | 33.G610.96 ST | 96" | \$ 1,395 |
| | | | | Polished | | 33.G610.36 PS | 36" | \$ 715 |
| | | | | | | 33.G610.48 PS | 48" | \$ 960 |
| | | | | | | 33.G610.60 PS | 60" | \$ 1,135 |
| | | | | | | 33.G610.72 PS | 72" | \$ 1,335 |
| | | | | | | 33.G610.96 PS | 96" | \$ 1,920 |
| | | | | Black | | 33.G610.36 BK | 36" | \$ 715 |
| | | | | | | 33.G610.48 BK | 48" | \$ 960 |
| | | | 33.G610.60 BK | | | 60" | \$ 1,135 | |
| | | | 33.G610.72 BK | | | 72" | \$ 1,430 | |
| | | | 33.G610.96 BK | | | 96" | \$ 1,920 | |
| | | | Parts: Perforated Grate | Satin | | 33.G620.36 ST | 36" | \$ 190 |
| | | | | | | 33.G620.48 ST | 48" | \$ 250 |
| | | | | | | 33.G620.60 ST | 60" | \$ 290 |
| | | | | | | 33.G620.72 ST | 72" | \$ 345 |
| | | | | | | 33.G620.96 ST | 96" | \$ 485 |
| | | | | | | Polished | | 33.G620.36 PS |
| | | | | 33.G620.48 PS | 48" | | | \$ 255 |
| | | | | 33.G620.60 PS | 60" | | | \$ 305 |
| | | | | 33.G620.72 PS | 72" | | | \$ 520 |
| 33.G620.96 PS | 96" | \$ 560 | | | | | | |
| Parts: Mist (Tile-In) Grate | Satin | | | 33.G630.36 ST | 36" | | | \$ 365 |
| | | | | 33.G630.48 ST | 48" | \$ 480 | | |
| | | | 33.G630.60 ST | 60" | \$ 565 | | | |
| | | | 33.G630.72 ST | 72" | \$ 840 | | | |
| | | | 33.G630.96 ST | 96" | \$ 895 | | | |

PARTS

| Description | Image | SKU | MSRP |
|---|---|----------------|--------|
| ABS Flange Drain 2" throat, 2" outlet No Hub |  | 83.FLG.2.ABS | \$ 30 |
| PVC Flange Drain 2" throat, 2" outlet No Hub | | 83.FLG.2.PVC | \$ 30 |
| Cast Iron Flange Drain 2" throat, 2" No Hub outlet |  | 83.FLG.2.CI | \$ 85 |
| Cast Iron Flange Drain 2" throat, 2" threaded outlet | | 83.FLG.2.CI.IP | \$ 85 |
| Square ABS Flange Drain 2" throat, 2" outlet No Hub |  | 83.SQFLG.2.ABS | \$ 65 |
| Square PVC Flange Drain 2" throat, 2" outlet No Hub | | 83.SQFLG.2.PVC | \$ 65 |
| Square Cast Iron Flange Drain 2" throat, 2" No Hub outlet | | 83.SQFLG.2.CI | \$ 85 |
| PVC High Flow 3" x 4" Drain Base with Clamping Ring |  | 83.FLG.3.PVC | \$ 115 |
| ABS Side Outlet drain flange 2" throat, 2" outlet No Hub |  | 83.FLG.SO.2 | \$ 18 |
| Adaptor/Threaded Nipple w/gasket for 2" Outlet |  | 83.ADAPT.2OUT | \$ 8 |
| Adaptor/Threaded Nipple w/gasket for 3" High Flow Outlet |  | 83.ADAPT.3OUT | \$ 10 |
| QM Drain Adaptor for 2" Bonded Drain Flange |  | 83.ADAPT.2BF | \$ 8 |
| ABS Reducer Adaptor |  | 83.ADAPT.2R | \$ 4 |
| Adaptor for Mex. CI Drain Body for Square Drains |  | 83.ADAPT.MX.SQ | \$ 4 |
| Adaptor for Mex. CI Drain Body for Linear Drains |  | 83.ADAPT.MX.LN | \$ 4 |
| Stainless Steel Hair/Debris Strainer for Linear and Square Drains |  | 83.STR.L.SS | \$ 8 |
| PVC Hair/Debris Strainer for Linear Drains |  | 83.STR.L.PVC | \$ 6 |
| Stainless Steel Hair/Debris Strainer for Square Drains with threaded outlet |  | 83.STR.SQ.SS | \$ 8 |
| ABS Hair/Debris Strainer for Square Drains |  | 83.STR.SQ.ABS | \$ 6 |
| Leveling Feet - Linear Drain |  | 83.FEET | \$ 6 |
| Plastic Legs for BAY 2in 1 Reversible grate |  | 83.REV.LEGS | \$ 4 |
| Flange Channels inside level legs |  | 83.LVL.LEGS | \$ 6 |
| Stainless Steel Key |  | 83.KEY | \$ 6 |
| Stainless Steel cutting blade for Grinder |  | 83.BLADE | \$ 12 |
| Sikaflex Sealant |  | 83.SEALANT | \$ 20 |
| Stainless Steel Delmar Adjustable Joiners |  | 83.JOINER.SS | \$ 20 |
| PVC Lagos Adjustable Linear Drain Joiners |  | 83.JOINER.PVC | \$ 10 |
| PVC Lagos Adjustable Linear Drain End Cap |  | 83.END.PVC | \$ 8 |
| Anti-Odor Part for Lagos and Threaded outlet Delmar Square |  | 83.OD.SQ | \$ 8 |
| Anti-Odor Part for Ria Square, Delmar Square and Linear Drains |  | 83.OD.BAY.BK | \$ 8 |
| Anti-Odor Par for Ria Linear and other linear drains |  | 83.OD.BAY.WT | \$ 8 |

Price Index by Size



| Price Index by Size | | | | | | | | |
|-------------------------------|---------------|---|-------------------|----------|-----------------|--------------|--------|--|
| Universal "One Size fits all" | | | | | | | | |
| Size | Series | Type | Line | Finish | SKU | Catalog page | MSRP | |
| | Delmar Series | Supreme | Supreme Tile In + | Satin | 33.810.08 ST | 23 | \$ 550 | |
| | Delmar Series | Supreme | Supreme Tile In + | Polished | 33.810.08 PS | 23 | \$ 595 | |
| | Delmar Series | Supreme | Supreme Tile In + | Black | 33.810.08 BK | 23 | \$ 595 | |
| | Delmar Series | Supreme | Supreme Tile In + | Gold | 33.810.08 GD | 23 | \$ 595 | |
| 12" | | | | | | | | |
| 12" | Lagos Series | Standard Length Plain | Veil | Satin | 88.300.12 ST | 81 | \$ 95 | |
| 12" | Lagos Series | Standard Length Plain | Veil | Polished | 88.300.12 PS | 81 | \$ 95 | |
| 12" | Lagos Series | Standard Length Plain | Veil | Gold | 88.300.12 GD | 81 | \$ 169 | |
| 12" | Lagos Series | Standard Length Plain | Veil | Black | 88.300.12 BK | 81 | \$ 169 | |
| 12" | Lagos Series | Standard Length Plain | Veil | Bronze | 88.300.12 BZ | 81 | \$ 169 | |
| 24" | | | | | | | | |
| 24" | Bay Series | Standard Length Plain | 2 in 1 | Satin | 38.100.24 ST | 93 | \$ 195 | |
| 24" | Bay Series | Standard Length Plain | Ria | Satin | 38.200.24 ST | 95 | \$ 195 | |
| 24" | Bay Series | Standard Length Plain | Ria | Polished | 38.200.24 PS | 95 | \$ 205 | |
| 24" | Bay Series | Standard Length Plain | Ria | Black | 38.200.24 BK | 95 | \$ 315 | |
| 24" | Bay Series | Standard Length Plain | Ria | Gold | 38.200.24 GD | 95 | \$ 315 | |
| 24" | Delmar Series | Standard Length Plain | Delta | Satin | 33.300.24 ST | 42 | \$ 355 | |
| 24" | Delmar Series | Standard Length Plain | Delta | Polished | 33.300.24 PS | 42 | \$ 370 | |
| 24" | Delmar Series | Standard Length Flange Edge | Delta | Satin | 33.300.24F ST | 42 | \$ 445 | |
| 24" | Delmar Series | Standard Length Flange Edge | Delta | Polished | 33.300.24F PS | 42 | \$ 460 | |
| 24" | Delmar Series | Standard Length Side Outlet Flange Edge | Delta | Satin | 33.300.24FSO ST | 42 | \$ 495 | |
| 24" | Delmar Series | Standard Length Side Outlet Flange Edge | Delta | Polished | 33.300.24FSO PS | 42 | \$ 510 | |
| 24" | Delmar Series | Standard Length Plain | Kai | Satin | 33.200.24 ST | 48 | \$ 355 | |
| 24" | Delmar Series | Standard Length Flange Edge | Kai | Satin | 33.200.24F ST | 48 | \$ 445 | |
| 24" | Delmar Series | Standard Length Side Outlet Flange Edge | Kai | Satin | 33.200.24FSO ST | 48 | \$ 495 | |
| 24" | Delmar Series | Standard Length Plain | Lotus | Black | 33.400.24 BK | 54 | \$ 465 | |
| 24" | Delmar Series | Standard Length Plain | Lotus | Bronze | 33.400.24 BZ | 54 | \$ 465 | |
| 24" | Delmar Series | Standard Length Plain | Lotus | Gold | 33.400.24 GD | 54 | \$ 465 | |
| 24" | Delmar Series | Standard Length Flange Edge | Lotus | Black | 33.400.24F BK | 54 | \$ 500 | |
| 24" | Delmar Series | Standard Length Flange Edge | Lotus | Bronze | 33.400.24F BZ | 54 | \$ 500 | |
| 24" | Delmar Series | Standard Length Flange Edge | Lotus | Gold | 33.400.24F GD | 54 | \$ 500 | |
| 24" | Delmar Series | Standard Length Side Outlet Flange Edge | Lotus | Black | 33.400.24FSO BK | 54 | \$ 550 | |
| 24" | Delmar Series | Standard Length Side Outlet Flange Edge | Lotus | Bronze | 33.400.24FSO BZ | 54 | \$ 550 | |
| 24" | Delmar Series | Standard Length Side Outlet Flange Edge | Lotus | Gold | 33.400.24FSO GD | 54 | \$ 550 | |
| 24" | Delmar Series | Standard Length Plain | Mist (Tile-In) | Satin | 33.500.24 ST | 46 | \$ 465 | |
| 24" | Delmar Series | Standard Length Plain | Mist (Tile-In) | Black | 33.500.24 BK | 46 | \$ 565 | |
| 24" | Delmar Series | Standard Length Flange Edge | Mist (Tile-In) | Satin | 33.500.24F ST | 46 | \$ 440 | |
| 24" | Delmar Series | Standard Length Side Outlet Flange Edge | Mist (Tile-In) | Satin | 33.500.24FSO ST | 46 | \$ 490 | |
| 24" | Delmar Series | Standard Length Plain | Nami | Satin | 33.100.24 ST | 52 | \$ 355 | |
| 24" | Delmar Series | Standard Length Flange Edge | Nami | Satin | 33.100.24F ST | 52 | \$ 445 | |
| 24" | Delmar Series | Standard Length Side Outlet Flange Edge | Nami | Satin | 33.100.24FSO ST | 52 | \$ 495 | |
| 24" | Delmar Series | Standard Length Plain | Wedgewire | Satin | 33.700.24 ST | 40 | \$ 650 | |
| 24" | Delmar Series | Standard Length Plain | Wedgewire | Polished | 33.700.24 PS | 40 | \$ 735 | |
| 24" | Delmar Series | Standard Length Plain | Wedgewire | Black | 33.700.24 BK | 40 | \$ 790 | |
| 24" | Delmar Series | Standard Length Flange Edge | Wedgewire | Satin | 33.700.24F ST | 40 | \$ 740 | |
| 24" | Delmar Series | Standard Length Flange Edge | Wedgewire | Polished | 33.700.24F PS | 40 | \$ 825 | |
| 24" | Delmar Series | Standard Length Flange Edge | Wedgewire | Black | 33.700.24F BK | 40 | \$ 825 | |
| 24" | Delmar Series | Standard Length Side Outlet Flange Edge | Wedgewire | Satin | 33.700.24FSO ST | 40 | \$ 790 | |
| 24" | Delmar Series | Standard Length Side Outlet Flange Edge | Wedgewire | Polished | 33.700.24FSO PS | 40 | \$ 875 | |
| 24" | Delmar Series | Standard Length Side Outlet Flange Edge | Wedgewire | Black | 33.700.24FSO BK | 40 | \$ 875 | |
| 28" | | | | | | | | |
| 28" | Delmar Series | Standard Length Plain | Delta | Satin | 33.300.28 ST | 42 | \$ 390 | |
| 28" | Delmar Series | Standard Length Plain | Delta | Polished | 33.300.28 PS | 42 | \$ 400 | |
| 28" | Delmar Series | Standard Length Flange Edge | Delta | Satin | 33.300.28F ST | 42 | \$ 490 | |
| 28" | Delmar Series | Standard Length Flange Edge | Delta | Polished | 33.300.28F PS | 42 | \$ 500 | |
| 28" | Delmar Series | Standard Length Side Outlet Flange Edge | Delta | Satin | 33.300.28FSO ST | 42 | \$ 545 | |
| 28" | Delmar Series | Standard Length Side Outlet Flange Edge | Delta | Polished | 33.300.28FSO PS | 42 | \$ 555 | |
| 28" | Delmar Series | Standard Length Plain | Kai | Satin | 33.200.28 ST | 48 | \$ 390 | |
| 28" | Delmar Series | Standard Length Flange Edge | Kai | Satin | 33.200.28F ST | 48 | \$ 490 | |
| 28" | Delmar Series | Standard Length Side Outlet Flange Edge | Kai | Satin | 33.200.28FSO ST | 48 | \$ 545 | |
| 28" | Delmar Series | Standard Length Plain | Lotus | Black | 33.400.28 BK | 54 | \$ 515 | |
| 28" | Delmar Series | Standard Length Plain | Lotus | Bronze | 33.400.28 BZ | 54 | \$ 515 | |
| 28" | Delmar Series | Standard Length Plain | Lotus | Gold | 33.400.28 GD | 54 | \$ 515 | |
| 28" | Delmar Series | Standard Length Flange Edge | Lotus | Black | 33.400.28F BK | 54 | \$ 560 | |
| 28" | Delmar Series | Standard Length Flange Edge | Lotus | Bronze | 33.400.28F BZ | 54 | \$ 560 | |
| 28" | Delmar Series | Standard Length Flange Edge | Lotus | Gold | 33.400.28F GD | 54 | \$ 560 | |
| 28" | Delmar Series | Standard Length Side Outlet Flange Edge | Lotus | Black | 33.400.28FSO BK | 54 | \$ 615 | |
| 28" | Delmar Series | Standard Length Side Outlet Flange Edge | Lotus | Bronze | 33.400.28FSO BZ | 54 | \$ 615 | |
| 28" | Delmar Series | Standard Length Side Outlet Flange Edge | Lotus | Gold | 33.400.28FSO GD | 54 | \$ 615 | |
| 28" | Delmar Series | Standard Length Plain | Mist (Tile-In) | Satin | 33.500.28 ST | 46 | \$ 495 | |
| 28" | Delmar Series | Standard Length Plain | Mist (Tile-In) | Black | 33.500.28 BK | 46 | \$ 595 | |
| 28" | Delmar Series | Standard Length Flange Edge | Mist (Tile-In) | Satin | 33.500.28F ST | 46 | \$ 485 | |
| 28" | Delmar Series | Standard Length Side Outlet Flange Edge | Mist (Tile-In) | Satin | 33.500.28FSO ST | 46 | \$ 540 | |
| 28" | Delmar Series | Standard Length Plain | Nami | Satin | 33.100.28 ST | 52 | \$ 390 | |
| 28" | Delmar Series | Standard Length Flange Edge | Nami | Satin | 33.100.28F ST | 52 | \$ 490 | |
| 28" | Delmar Series | Standard Length Side Outlet Flange Edge | Nami | Satin | 33.100.28FSO ST | 52 | \$ 545 | |
| 28" | Delmar Series | Standard Length Plain | Wedgewire | Satin | 33.700.28 ST | 40 | \$ 705 | |
| 28" | Delmar Series | Standard Length Plain | Wedgewire | Polished | 33.700.28 PS | 40 | \$ 810 | |
| 28" | Delmar Series | Standard Length Plain | Wedgewire | Black | 33.700.28 BK | 40 | \$ 865 | |
| 28" | Delmar Series | Standard Length Flange Edge | Wedgewire | Satin | 33.700.28F ST | 40 | \$ 805 | |
| 28" | Delmar Series | Standard Length Flange Edge | Wedgewire | Polished | 33.700.28F PS | 40 | \$ 910 | |



Price Index by Size

| Size | Series | Type | Line | Finish | SKU | Catalog page | MSRP |
|------------|---------------|---|-------------------------------|----------|-----------------|--------------|----------|
| 28" | Delmar Series | Standard Length Flange Edge | Wedgewire | Black | 33.700.28F BK | 40 | \$ 910 |
| 28" | Delmar Series | Standard Length Side Outlet Flange Edge | Wedgewire | Satin | 33.700.28FSO ST | 40 | \$ 860 |
| 28" | Delmar Series | Standard Length Side Outlet Flange Edge | Wedgewire | Polished | 33.700.28FSO PS | 40 | \$ 965 |
| 28" | Delmar Series | Standard Length Side Outlet Flange Edge | Wedgewire | Black | 33.700.28FSO BK | 40 | \$ 965 |
| 30" | | | | | | | |
| 30" | Delmar Series | Supreme | Supreme | Polished | 33.800.30 PS | 21 | \$ 775 |
| 30" | Delmar Series | Supreme | Supreme | Satin | 33.800.30 ST | 21 | \$ 775 |
| 30" | Delmar Series | Supreme | Supreme | Black | 33.800.30 BK | 21 | \$ 840 |
| 30" | Delmar Series | Supreme | Supreme | Gold | 33.800.30 GD | 21 | \$ 840 |
| 32" | | | | | | | |
| 32" | Delmar Series | Standard Length Plain | Delta | Satin | 33.300.32 ST | 40 | \$ 425 |
| 32" | Delmar Series | Standard Length Plain | Delta | Polished | 33.300.32 PS | 40 | \$ 445 |
| 32" | Delmar Series | Standard Length Flange Edge | Delta | Satin | 33.300.32F ST | 40 | \$ 540 |
| 32" | Delmar Series | Standard Length Flange Edge | Delta | Polished | 33.300.32F PS | 40 | \$ 560 |
| 32" | Delmar Series | Standard Length Side Outlet Flange Edge | Delta | Satin | 33.300.32FSO ST | 40 | \$ 590 |
| 32" | Delmar Series | Standard Length Side Outlet Flange Edge | Delta | Polished | 33.300.32FSO PS | 40 | \$ 610 |
| 32" | Delmar Series | Standard Length Plain | Kai | Satin | 33.200.32 ST | 48 | \$ 425 |
| 32" | Delmar Series | Standard Length Flange Edge | Kai | Satin | 33.200.32F ST | 48 | \$ 540 |
| 32" | Delmar Series | Standard Length Side Outlet Flange Edge | Kai | Satin | 33.200.32FSO ST | 48 | \$ 590 |
| 32" | Delmar Series | Standard Length Plain | Lotus | Black | 33.400.32 BK | 54 | \$ 560 |
| 32" | Delmar Series | Standard Length Plain | Lotus | Bronze | 33.400.32 BZ | 54 | \$ 560 |
| 32" | Delmar Series | Standard Length Plain | Lotus | Gold | 33.400.32 GD | 54 | \$ 560 |
| 32" | Delmar Series | Standard Length Flange Edge | Lotus | Black | 33.400.32F BK | 54 | \$ 615 |
| 32" | Delmar Series | Standard Length Flange Edge | Lotus | Bronze | 33.400.32F BZ | 54 | \$ 615 |
| 32" | Delmar Series | Standard Length Flange Edge | Lotus | Gold | 33.400.32F GD | 54 | \$ 615 |
| 32" | Delmar Series | Standard Length Side Outlet Flange Edge | Lotus | Black | 33.400.32FSO BK | 54 | \$ 665 |
| 32" | Delmar Series | Standard Length Side Outlet Flange Edge | Lotus | Bronze | 33.400.32FSO BZ | 54 | \$ 665 |
| 32" | Delmar Series | Standard Length Side Outlet Flange Edge | Lotus | Gold | 33.400.32FSO GD | 54 | \$ 665 |
| 32" | Delmar Series | Standard Length Plain | Mist (Tile-In) | Satin | 33.500.32 ST | 46 | \$ 525 |
| 32" | Delmar Series | Standard Length Plain | Mist (Tile-In) | Black | 33.500.32 BK | 46 | \$ 625 |
| 32" | Delmar Series | Standard Length Flange Edge | Mist (Tile-In) | Satin | 33.500.32F ST | 46 | \$ 545 |
| 32" | Delmar Series | Standard Length Side Outlet Flange Edge | Mist (Tile-In) | Satin | 33.500.32FSO ST | 46 | \$ 595 |
| 32" | Delmar Series | Standard Length Plain | Nami | Satin | 33.100.32 ST | 52 | \$ 425 |
| 32" | Delmar Series | Standard Length Flange Edge | Nami | Satin | 33.100.32F ST | 52 | \$ 540 |
| 32" | Delmar Series | Standard Length Side Outlet Flange Edge | Nami | Satin | 33.100.32FSO ST | 52 | \$ 590 |
| 32" | Delmar Series | Standard Length Plain | Wedgewire | Satin | 33.700.32 ST | 40 | \$ 775 |
| 32" | Delmar Series | Standard Length Plain | Wedgewire | Polished | 33.700.32 PS | 40 | \$ 905 |
| 32" | Delmar Series | Standard Length Plain | Wedgewire | Black | 33.700.32 BK | 40 | \$ 960 |
| 32" | Delmar Series | Standard Length Flange Edge | Wedgewire | Satin | 33.700.32F ST | 40 | \$ 890 |
| 32" | Delmar Series | Standard Length Flange Edge | Wedgewire | Polished | 33.700.32F PS | 40 | \$ 1,020 |
| 32" | Delmar Series | Standard Length Flange Edge | Wedgewire | Black | 33.700.32F BK | 40 | \$ 1,020 |
| 32" | Delmar Series | Standard Length Side Outlet Flange Edge | Wedgewire | Satin | 33.700.32FSO ST | 40 | \$ 940 |
| 32" | Delmar Series | Standard Length Side Outlet Flange Edge | Wedgewire | Polished | 33.700.32FSO PS | 40 | \$ 1,070 |
| 32" | Delmar Series | Standard Length Side Outlet Flange Edge | Wedgewire | Black | 33.700.32FSO BK | 40 | \$ 1,070 |
| 36" | | | | | | | |
| 36" | Bay Series | Standard Length Plain | 2 in 1 | Satin | 38.100.36 ST | 93 | \$ 250 |
| 36" | Bay Series | Standard Length Plain | Ria | Satin | 38.200.36 ST | 95 | \$ 250 |
| 36" | Bay Series | Standard Length Plain | Ria | Polished | 38.200.36 PS | 95 | \$ 265 |
| 36" | Bay Series | Standard Length Plain | Ria | Black | 38.200.36 BK | 95 | \$ 395 |
| 36" | Bay Series | Standard Length Plain | Ria | Gold | 38.200.36 GD | 95 | \$ 395 |
| 36" | Delmar Series | Adjustable 2" Outlet | Base Kit (not grate included) | Satin | 33.B600.36 ST | 153-158 | \$ 315 |
| 36" | Delmar Series | Adjustable 2" Outlet | Base Kit (not grate included) | Polished | 33.B600.36 PS | 153-158 | \$ 315 |
| 36" | Delmar Series | Adjustable 2" Outlet | Base Kit (not grate included) | Black | 33.B600.36 BK | 153-158 | \$ 390 |
| 36" | Delmar Series | Adjustable 3" HF Outlet | Base Kit (not grate included) | Satin | 33.B600.36HF ST | 153-158 | \$ 380 |
| 36" | Delmar Series | Adjustable 3" HF Outlet | Base Kit (not grate included) | Polished | 33.B600.36HF PS | 153-158 | \$ 380 |
| 36" | Delmar Series | Adjustable 3" HF Outlet | Base Kit (not grate included) | Black | 33.B600.36HF BK | 153-158 | \$ 455 |
| 36" | Delmar Series | Standard Length Plain | Delta | Satin | 33.300.36 ST | 42 | \$ 460 |
| 36" | Delmar Series | Standard Length Plain | Delta | Polished | 33.300.36 PS | 42 | \$ 480 |
| 36" | Delmar Series | Standard Length Flange Edge | Delta | Satin | 33.300.36F ST | 42 | \$ 575 |
| 36" | Delmar Series | Standard Length Flange Edge | Delta | Polished | 33.300.36F PS | 42 | \$ 595 |
| 36" | Delmar Series | Standard Length Side Outlet Flange Edge | Delta | Satin | 33.300.36FSO ST | 42 | \$ 640 |
| 36" | Delmar Series | Standard Length Side Outlet Flange Edge | Delta | Polished | 33.300.36FSO PS | 42 | \$ 660 |
| 36" | Delmar Series | Standard Length Plain | Kai | Satin | 33.200.36 ST | 48 | \$ 460 |
| 36" | Delmar Series | Standard Length Flange Edge | Kai | Satin | 33.200.36F ST | 48 | \$ 575 |
| 36" | Delmar Series | Standard Length Side Outlet Flange Edge | Kai | Satin | 33.200.36FSO ST | 48 | \$ 640 |
| 36" | Delmar Series | Standard Length Plain | Lotus | Black | 33.400.36 BK | 54 | \$ 605 |
| 36" | Delmar Series | Standard Length Plain | Lotus | Bronze | 33.400.36 BZ | 54 | \$ 605 |
| 36" | Delmar Series | Standard Length Plain | Lotus | Gold | 33.400.36 GD | 54 | \$ 605 |
| 36" | Delmar Series | Standard Length Flange Edge | Lotus | Black | 33.400.36F BK | 54 | \$ 660 |
| 36" | Delmar Series | Standard Length Flange Edge | Lotus | Bronze | 33.400.36F BZ | 54 | \$ 660 |
| 36" | Delmar Series | Standard Length Flange Edge | Lotus | Gold | 33.400.36F GD | 54 | \$ 660 |
| 36" | Delmar Series | Standard Length Side Outlet Flange Edge | Lotus | Black | 33.400.36FSO BK | 54 | \$ 725 |
| 36" | Delmar Series | Standard Length Side Outlet Flange Edge | Lotus | Bronze | 33.400.36FSO BZ | 54 | \$ 725 |
| 36" | Delmar Series | Standard Length Side Outlet Flange Edge | Lotus | Gold | 33.400.36FSO GD | 54 | \$ 725 |
| 36" | Delmar Series | Standard Length Plain | Mist (Tile-In) | Satin | 33.500.36 ST | 46 | \$ 565 |
| 36" | Delmar Series | Standard Length Plain | Mist (Tile-In) | Black | 33.500.36 BK | 46 | \$ 665 |
| 36" | Delmar Series | Standard Length Flange Edge | Mist (Tile-In) | Satin | 33.500.36F ST | 46 | \$ 580 |
| 36" | Delmar Series | Standard Length Side Outlet Flange Edge | Mist (Tile-In) | Satin | 33.500.36FSO ST | 46 | \$ 645 |
| 36" | Delmar Series | Adjustable 2" Outlet | Mist (Tile-In) | Satin | 33.630.36 ST | 35 | \$ 680 |
| 36" | Delmar Series | Adjustable 2" Outlet | Mist (Tile-In) | Polished | 33.630.36 PS | 35 | \$ 695 |
| 36" | Delmar Series | Adjustable 3" HF Outlet | Mist (Tile-In) | Satin | 33.630.36HF ST | 35 | \$ 745 |
| 36" | Delmar Series | Adjustable 3" HF Outlet | Mist (Tile-In) | Polished | 33.630.36HF PS | 35 | \$ 745 |
| 36" | Delmar Series | Standard Length Plain | Nami | Satin | 33.100.36 ST | 52 | \$ 460 |



Price Index by Size

| Size | Series | Type | Line | Finish | SKU | Catalog page | MSRP |
|------------|---------------|---|-------------------------------|----------|-----------------|--------------|----------|
| 36" | Delmar Series | Standard Length Flange Edge | Nami | Satin | 33.100.36F ST | 52 | \$ 575 |
| 36" | Delmar Series | Standard Length Side Outlet Flange Edge | Nami | Satin | 33.100.36FSO ST | 52 | \$ 640 |
| 36" | Delmar Series | Adjustable 2" Outlet | Perforated | Satin | 33.620.36 ST | 33 | \$ 505 |
| 36" | Delmar Series | Adjustable 2" Outlet | Perforated | Polished | 33.620.36 PS | 33 | \$ 515 |
| 36" | Delmar Series | Adjustable 3" HF Outlet | Perforated | Satin | 33.620.36HF ST | 33 | \$ 570 |
| 36" | Delmar Series | Adjustable 3" HF Outlet | Perforated | Polished | 33.620.36HF PS | 33 | \$ 580 |
| 36" | Delmar Series | Standard Length Plain | Wedgewire | Satin | 33.700.36 ST | 40 | \$ 840 |
| 36" | Delmar Series | Standard Length Plain | Wedgewire | Polished | 33.700.36 PS | 40 | \$ 985 |
| 36" | Delmar Series | Standard Length Plain | Wedgewire | Black | 33.700.36 BK | 40 | \$ 1,045 |
| 36" | Delmar Series | Standard Length Flange Edge | Wedgewire | Satin | 33.700.36F ST | 40 | \$ 955 |
| 36" | Delmar Series | Standard Length Flange Edge | Wedgewire | Polished | 33.700.36F PS | 40 | \$ 1,100 |
| 36" | Delmar Series | Standard Length Flange Edge | Wedgewire | Black | 33.700.36F BK | 40 | \$ 1,100 |
| 36" | Delmar Series | Standard Length Side Outlet Flange Edge | Wedgewire | Satin | 33.700.36FSO ST | 40 | \$ 1,020 |
| 36" | Delmar Series | Standard Length Side Outlet Flange Edge | Wedgewire | Polished | 33.700.36FSO PS | 40 | \$ 1,165 |
| 36" | Delmar Series | Standard Length Side Outlet Flange Edge | Wedgewire | Black | 33.700.36FSO BK | 40 | \$ 1,165 |
| 36" | Delmar Series | Adjustable 2" Outlet | Wedgewire | Satin | 33.610.36 ST | 31 | \$ 885 |
| 36" | Delmar Series | Adjustable 2" Outlet | Wedgewire | Polished | 33.610.36 PS | 31 | \$ 940 |
| 36" | Delmar Series | Adjustable 2" Outlet | Wedgewire | Black | 33.610.36 BK | 31 | \$ 1,040 |
| 36" | Delmar Series | Adjustable 3" HF Outlet | Wedgewire | Satin | 33.610.36HF ST | 31 | \$ 950 |
| 36" | Delmar Series | Adjustable 3" HF Outlet | Wedgewire | Polished | 33.610.36HF PS | 31 | \$ 1,095 |
| 36" | Delmar Series | Adjustable 3" HF Outlet | Wedgewire | Black | 33.610.36HF BK | 31 | \$ 1,105 |
| 36" | Lagos Series | Adjustable 2" Outlet | Base Kit (grate not included) | Satin | 88.B600.36 ST | 153-158 | \$ 165 |
| 36" | Lagos Series | Adjustable 2" Outlet | Base Kit (grate not included) | Polished | 88.B600.36 PS | 153-158 | \$ 165 |
| 36" | Lagos Series | Adjustable 2" Outlet | Base Kit (grate not included) | Black | 88.B600.36 BK | 153-158 | \$ 265 |
| 36" | Lagos Series | Adjustable 3" HF Outlet | Base Kit (grate not included) | Satin | 88.B600.36HF ST | 153-158 | \$ 230 |
| 36" | Lagos Series | Adjustable 3" HF Outlet | Base Kit (grate not included) | Polished | 88.B600.36HF PS | 153-158 | \$ 230 |
| 36" | Lagos Series | Adjustable 3" HF Outlet | Base Kit (grate not included) | Black | 88.B600.36HF BK | 153-158 | \$ 330 |
| 36" | Lagos Series | Adjustable 2" Outlet | Mist (Tile-In) | Satin | 88.630.36 ST | 77 | \$ 515 |
| 36" | Lagos Series | Adjustable 2" Outlet | Mist (Tile-In) | Polished | 88.630.36 PS | 77 | \$ 515 |
| 36" | Lagos Series | Adjustable 3" HF Outlet | Mist (Tile-In) | Satin | 88.630.36HF ST | 77 | \$ 580 |
| 36" | Lagos Series | Adjustable 3" HF Outlet | Mist (Tile-In) | Polished | 88.630.36HF PS | 77 | \$ 580 |
| 36" | Lagos Series | Adjustable 2" Outlet | Perforated | Satin | 88.620.36 ST | 75 | \$ 340 |
| 36" | Lagos Series | Adjustable 2" Outlet | Perforated | Polished | 88.620.36 PS | 75 | \$ 350 |
| 36" | Lagos Series | Adjustable 3" HF Outlet | Perforated | Satin | 88.620.36HF ST | 75 | \$ 405 |
| 36" | Lagos Series | Adjustable 3" HF Outlet | Perforated | Polished | 88.620.36HF PS | 75 | \$ 415 |
| 36" | Lagos Series | Adjustable 2" Outlet | Wedgewire | Satin | 88.610.36 ST | 73 | \$ 720 |
| 36" | Lagos Series | Adjustable 2" Outlet | Wedgewire | Polished | 88.610.36 PS | 73 | \$ 865 |
| 36" | Lagos Series | Adjustable 2" Outlet | Wedgewire | Black | 88.610.36 BK | 73 | \$ 875 |
| 36" | Lagos Series | Adjustable 3" HF Outlet | Wedgewire | Satin | 88.610.36HF ST | 73 | \$ 785 |
| 36" | Lagos Series | Adjustable 3" HF Outlet | Wedgewire | Polished | 88.610.36HF PS | 73 | \$ 930 |
| 36" | Lagos Series | Adjustable 3" HF Outlet | Wedgewire | Black | 88.610.36HF BK | 73 | \$ 940 |
| 40" | | | | | | | |
| 40" | Delmar Series | Supreme | Supreme | Satin | 33.800.40 ST | 21 | \$ 875 |
| 40" | Delmar Series | Supreme | Supreme | Polished | 33.800.40 PS | 21 | \$ 875 |
| 40" | Delmar Series | Supreme | Supreme | Black | 33.800.40 BK | 21 | \$ 955 |
| 40" | Delmar Series | Supreme | Supreme | Gold | 33.800.40 GD | 21 | \$ 955 |
| 48" | | | | | | | |
| 48" | Delmar Series | Adjustable 2" Outlet | Base Kit (grate not included) | Satin | 33.B600.48 ST | 153-158 | \$ 385 |
| 48" | Delmar Series | Adjustable 2" Outlet | Base Kit (grate not included) | Polished | 33.B600.48 PS | 153-158 | \$ 385 |
| 48" | Delmar Series | Adjustable 2" Outlet | Base Kit (grate not included) | Black | 33.B600.48 BK | 153-158 | \$ 470 |
| 48" | Delmar Series | Adjustable 3" HF Outlet | Base Kit (grate not included) | Satin | 33.B600.48HF ST | 153-158 | \$ 450 |
| 48" | Delmar Series | Adjustable 3" HF Outlet | Base Kit (grate not included) | Polished | 33.B600.48HF PS | 153-158 | \$ 450 |
| 48" | Delmar Series | Adjustable 3" HF Outlet | Base Kit (grate not included) | Black | 33.B600.48HF BK | 153-158 | \$ 535 |
| 48" | Delmar Series | Standard Length Plain | Delta | Satin | 33.300.48 ST | 42 | \$ 585 |
| 48" | Delmar Series | Standard Length Plain | Delta | Polished | 33.300.48 PS | 42 | \$ 610 |
| 48" | Delmar Series | Standard Length Flange Edge | Delta | Satin | 33.300.48F ST | 42 | \$ 725 |
| 48" | Delmar Series | Standard Length Flange Edge | Delta | Polished | 33.300.48F PS | 42 | \$ 750 |
| 48" | Delmar Series | Standard Length Side Outlet Flange Edge | Delta | Satin | 33.300.48FSO ST | 42 | \$ 785 |
| 48" | Delmar Series | Standard Length Side Outlet Flange Edge | Delta | Polished | 33.300.48FSO PS | 42 | \$ 810 |
| 48" | Delmar Series | Standard Length Plain | Lotus | Black | 33.400.48 BK | 54 | \$ 745 |
| 48" | Delmar Series | Standard Length Plain | Lotus | Bronze | 33.400.48 BZ | 54 | \$ 745 |
| 48" | Delmar Series | Standard Length Plain | Lotus | Gold | 33.400.48 GD | 54 | \$ 745 |
| 48" | Delmar Series | Standard Length Flange Edge | Lotus | Black | 33.400.48F BK | 54 | \$ 850 |
| 48" | Delmar Series | Standard Length Flange Edge | Lotus | Bronze | 33.400.48F BZ | 54 | \$ 850 |
| 48" | Delmar Series | Standard Length Flange Edge | Lotus | Gold | 33.400.48F GD | 54 | \$ 850 |
| 48" | Delmar Series | Standard Length Side Outlet Flange Edge | Lotus | Black | 33.400.48FSO BK | 54 | \$ 910 |
| 48" | Delmar Series | Standard Length Side Outlet Flange Edge | Lotus | Bronze | 33.400.48FSO BZ | 54 | \$ 910 |
| 48" | Delmar Series | Standard Length Side Outlet Flange Edge | Lotus | Gold | 33.400.48FSO GD | 54 | \$ 910 |
| 48" | Delmar Series | Standard Length Plain | Mist (Tile-In) | Satin | 33.500.48 ST | 46 | \$ 695 |
| 48" | Delmar Series | Standard Length Plain | Mist (Tile-In) | Black | 33.500.48 BK | 46 | \$ 795 |
| 48" | Delmar Series | Standard Length Flange Edge | Mist (Tile-In) | Satin | 33.500.48F ST | 46 | \$ 745 |
| 48" | Delmar Series | Standard Length Side Outlet Flange Edge | Mist (Tile-In) | Satin | 33.500.48FSO ST | 46 | \$ 805 |
| 48" | Delmar Series | Adjustable 2" Outlet | Mist (Tile-In) | Satin | 33.630.48 ST | 35 | \$ 865 |
| 48" | Delmar Series | Adjustable 2" Outlet | Mist (Tile-In) | Polished | 33.630.48 PS | 35 | \$ 880 |
| 48" | Delmar Series | Adjustable 3" HF Outlet | Mist (Tile-In) | Satin | 33.630.48HF ST | 35 | \$ 930 |
| 48" | Delmar Series | Adjustable 3" HF Outlet | Mist (Tile-In) | Polished | 33.630.48HF PS | 35 | \$ 930 |
| 48" | Delmar Series | Adjustable 2" Outlet | Perforated | Satin | 33.620.48 ST | 33 | \$ 635 |
| 48" | Delmar Series | Adjustable 2" Outlet | Perforated | Polished | 33.620.48 PS | 33 | \$ 640 |
| 48" | Delmar Series | Adjustable 3" HF Outlet | Perforated | Satin | 33.620.48HF ST | 33 | \$ 700 |
| 48" | Delmar Series | Adjustable 3" HF Outlet | Perforated | Polished | 33.620.48HF PS | 33 | \$ 705 |
| 48" | Delmar Series | Standard Length Plain | Wedgewire | Satin | 33.700.48 ST | 40 | \$ 1,050 |
| 48" | Delmar Series | Standard Length Plain | Wedgewire | Polished | 33.700.48 PS | 40 | \$ 1,310 |
| 48" | Delmar Series | Standard Length Plain | Wedgewire | Black | 33.700.48 BK | 40 | \$ 1,345 |



Price Index by Size

| Size | Series | Type | Line | Finish | SKU | Catalog page | MSRP |
|------------|---------------|---|-------------------------------|----------|-----------------|--------------|----------|
| 48" | Delmar Series | Standard Length Flange Edge | Wedgewire | Satin | 33.700.48F ST | 40 | \$ 1,190 |
| 48" | Delmar Series | Standard Length Flange Edge | Wedgewire | Polished | 33.700.48F PS | 40 | \$ 1,450 |
| 48" | Delmar Series | Standard Length Flange Edge | Wedgewire | Black | 33.700.48F BK | 40 | \$ 1,450 |
| 48" | Delmar Series | Standard Length Side Outlet Flange Edge | Wedgewire | Satin | 33.700.48FSO ST | 40 | \$ 1,250 |
| 48" | Delmar Series | Standard Length Side Outlet Flange Edge | Wedgewire | Polished | 33.700.48FSO PS | 40 | \$ 1,510 |
| 48" | Delmar Series | Standard Length Side Outlet Flange Edge | Wedgewire | Black | 33.700.48FSO BK | 40 | \$ 1,510 |
| 48" | Delmar Series | Adjustable 2" Outlet | Wedgewire | Satin | 33.610.48 ST | 73 | \$ 1,085 |
| 48" | Delmar Series | Adjustable 2" Outlet | Wedgewire | Polished | 33.610.48 PS | 73 | \$ 1,345 |
| 48" | Delmar Series | Adjustable 2" Outlet | Wedgewire | Black | 33.610.48 BK | 73 | \$ 1,265 |
| 48" | Delmar Series | Adjustable 3" HF Outlet | Wedgewire | Satin | 33.610.48HF ST | 73 | \$ 1,150 |
| 48" | Delmar Series | Adjustable 3" HF Outlet | Wedgewire | Polished | 33.610.48HF PS | 73 | \$ 1,410 |
| 48" | Delmar Series | Adjustable 3" HF Outlet | Wedgewire | Black | 33.610.48HF BK | 73 | \$ 1,330 |
| 48" | Lagos Series | Adjustable 2" Outlet | Base Kit (grate not included) | Satin | 88.B600.48 ST | 153-158 | \$ 200 |
| 48" | Lagos Series | Adjustable 2" Outlet | Base Kit (grate not included) | Polished | 88.B600.48 PS | 153-158 | \$ 200 |
| 48" | Lagos Series | Adjustable 2" Outlet | Base Kit (grate not included) | Black | 88.B600.48 BK | 153-158 | \$ 315 |
| 48" | Lagos Series | Adjustable 3" HF Outlet | Base Kit (grate not included) | Satin | 88.B600.48HF ST | 153-158 | \$ 265 |
| 48" | Lagos Series | Adjustable 3" HF Outlet | Base Kit (grate not included) | Polished | 88.B600.48HF PS | 153-158 | \$ 265 |
| 48" | Lagos Series | Adjustable 3" HF Outlet | Base Kit (grate not included) | Black | 88.B600.48HF BK | 153-158 | \$ 380 |
| 48" | Lagos Series | Adjustable 2" Outlet | Mist (Tile-In) | Satin | 88.630.48 ST | 77 | \$ 665 |
| 48" | Lagos Series | Adjustable 2" Outlet | Mist (Tile-In) | Polished | 88.630.48 PS | 77 | \$ 665 |
| 48" | Lagos Series | Adjustable 3" HF Outlet | Mist (Tile-In) | Satin | 88.630.48HF ST | 77 | \$ 730 |
| 48" | Lagos Series | Adjustable 3" HF Outlet | Mist (Tile-In) | Polished | 88.630.48HF PS | 77 | \$ 730 |
| 48" | Lagos Series | Adjustable 2" Outlet | Perforated | Satin | 88.620.48 ST | 75 | \$ 435 |
| 48" | Lagos Series | Adjustable 2" Outlet | Perforated | Polished | 88.620.48 PS | 75 | \$ 440 |
| 48" | Lagos Series | Adjustable 3" HF Outlet | Perforated | Satin | 88.620.48HF ST | 75 | \$ 500 |
| 48" | Lagos Series | Adjustable 3" HF Outlet | Perforated | Polished | 88.620.48HF PS | 75 | \$ 505 |
| 48" | Lagos Series | Adjustable 2" Outlet | Wedgewire | Satin | 88.610.48 ST | 73 | \$ 885 |
| 48" | Lagos Series | Adjustable 2" Outlet | Wedgewire | Polished | 88.610.48 PS | 73 | \$ 1,145 |
| 48" | Lagos Series | Adjustable 2" Outlet | Wedgewire | Black | 88.610.48 BK | 73 | \$ 1,065 |
| 48" | Lagos Series | Adjustable 3" HF Outlet | Wedgewire | Satin | 88.610.48HF ST | 73 | \$ 950 |
| 48" | Lagos Series | Adjustable 3" HF Outlet | Wedgewire | Polished | 88.610.48HF PS | 73 | \$ 1,210 |
| 48" | Lagos Series | Adjustable 3" HF Outlet | Wedgewire | Black | 88.610.48HF BK | 73 | \$ 1,130 |
| 50" | | | | | | | |
| 50" | Delmar Series | Supreme | Supreme | Satin | 33.800.50 ST | 21 | \$ 955 |
| 50" | Delmar Series | Supreme | Supreme | Polished | 33.800.50 PS | 21 | \$ 955 |
| 50" | Delmar Series | Supreme | Supreme | Black | 33.800.50 BK | 21 | \$ 1,045 |
| 50" | Delmar Series | Supreme | Supreme | Gold | 33.800.50 GD | 21 | \$ 1,045 |
| 58" | | | | | | | |
| 58" | Delmar Series | Standard Length Plain | Delta | Satin | 33.300.58 ST | 42 | \$ 650 |
| 58" | Delmar Series | Standard Length Plain | Delta | Polished | 33.300.58 PS | 42 | \$ 675 |
| 58" | Delmar Series | Standard Length Flange Edge | Delta | Satin | 33.300.58F ST | 42 | \$ 845 |
| 58" | Delmar Series | Standard Length Flange Edge | Delta | Polished | 33.300.58F PS | 42 | \$ 870 |
| 58" | Delmar Series | Standard Length Side Outlet Flange Edge | Delta | Satin | 33.300.58FSO ST | 42 | \$ 920 |
| 58" | Delmar Series | Standard Length Side Outlet Flange Edge | Delta | Polished | 33.300.58FSO PS | 42 | \$ 945 |
| 58" | Delmar Series | Standard Length Plain | Lotus | Black | 33.400.58 BK | 54 | \$ 865 |
| 58" | Delmar Series | Standard Length Plain | Lotus | Bronze | 33.400.58 BZ | 54 | \$ 865 |
| 58" | Delmar Series | Standard Length Plain | Lotus | Gold | 33.400.58 GD | 54 | \$ 865 |
| 58" | Delmar Series | Standard Length Flange Edge | Lotus | Black | 33.400.58F BK | 54 | \$ 1,000 |
| 58" | Delmar Series | Standard Length Flange Edge | Lotus | Bronze | 33.400.58F BZ | 54 | \$ 1,000 |
| 58" | Delmar Series | Standard Length Flange Edge | Lotus | Gold | 33.400.58F GD | 54 | \$ 1,000 |
| 58" | Delmar Series | Standard Length Side Outlet Flange Edge | Lotus | Black | 33.400.58FSO BK | 54 | \$ 1,075 |
| 58" | Delmar Series | Standard Length Side Outlet Flange Edge | Lotus | Bronze | 33.400.58FSO BZ | 54 | \$ 1,075 |
| 58" | Delmar Series | Standard Length Side Outlet Flange Edge | Lotus | Gold | 33.400.58FSO GD | 54 | \$ 1,075 |
| 58" | Delmar Series | Standard Length Plain | Mist (Tile-In) | Satin | 33.500.58 ST | 46 | \$ 825 |
| 58" | Delmar Series | Standard Length Plain | Mist (Tile-In) | Black | 33.500.58 BK | 46 | \$ 930 |
| 58" | Delmar Series | Standard Length Flange Edge | Mist (Tile-In) | Satin | 33.500.58F ST | 46 | \$ 880 |
| 58" | Delmar Series | Standard Length Side Outlet Flange Edge | Mist (Tile-In) | Satin | 33.500.58FSO ST | 46 | \$ 955 |
| 58" | Delmar Series | Standard Length Plain | Wedgewire | Satin | 33.700.58 ST | 40 | \$ 1,195 |
| 58" | Delmar Series | Standard Length Plain | Wedgewire | Polished | 33.700.58 PS | 40 | \$ 1,485 |
| 58" | Delmar Series | Standard Length Plain | Wedgewire | Black | 33.700.58 BK | 40 | \$ 1,545 |
| 58" | Delmar Series | Standard Length Flange Edge | Wedgewire | Satin | 33.700.58F ST | 40 | \$ 1,390 |
| 58" | Delmar Series | Standard Length Flange Edge | Wedgewire | Polished | 33.700.58F PS | 40 | \$ 1,680 |
| 58" | Delmar Series | Standard Length Flange Edge | Wedgewire | Black | 33.700.58F BK | 40 | \$ 1,680 |
| 58" | Delmar Series | Standard Length Side Outlet Flange Edge | Wedgewire | Satin | 33.700.58FSO ST | 40 | \$ 1,465 |
| 58" | Delmar Series | Standard Length Side Outlet Flange Edge | Wedgewire | Polished | 33.700.58FSO PS | 40 | \$ 1,755 |
| 58" | Delmar Series | Standard Length Side Outlet Flange Edge | Wedgewire | Black | 33.700.58FSO BK | 40 | \$ 1,755 |
| 60" | | | | | | | |
| 60" | Delmar Series | Supreme | Supreme | Satin | 33.800.60 ST | 21 | \$ 1,045 |
| 60" | Delmar Series | Supreme | Supreme | Polished | 33.800.60 PS | 21 | \$ 1,045 |
| 60" | Delmar Series | Supreme | Supreme | Black | 33.800.60 BK | 21 | \$ 1,145 |
| 60" | Delmar Series | Supreme | Supreme | Gold | 33.800.60 GD | 21 | \$ 1,145 |
| 60" | Delmar Series | Adjustable 2" Outlet | Base Kit (grate not included) | Satin | 33.B600.60 ST | 153-158 | \$ 460 |
| 60" | Delmar Series | Adjustable 2" Outlet | Base Kit (grate not included) | Polished | 33.B600.60 PS | 153-158 | \$ 460 |
| 60" | Delmar Series | Adjustable 2" Outlet | Base Kit (grate not included) | Black | 33.B600.60 BK | 153-158 | \$ 560 |
| 60" | Delmar Series | Adjustable 3" HF Outlet | Base Kit (grate not included) | Satin | 33.B600.60HF ST | 153-158 | \$ 525 |
| 60" | Delmar Series | Adjustable 3" HF Outlet | Base Kit (grate not included) | Polished | 33.B600.60HF PS | 153-158 | \$ 525 |
| 60" | Delmar Series | Adjustable 3" HF Outlet | Base Kit (grate not included) | Black | 33.B600.60HF BK | 153-158 | \$ 625 |
| 60" | Delmar Series | Adjustable 2" Outlet | Mist (Tile-In) | Satin | 33.630.60 ST | 35 | \$ 1,025 |
| 60" | Delmar Series | Adjustable 2" Outlet | Mist (Tile-In) | Polished | 33.630.60 PS | 35 | \$ 1,040 |
| 60" | Delmar Series | Adjustable 3" Outlet | Mist (Tile-In) | Satin | 33.630.60HF ST | 35 | \$ 1,090 |
| 60" | Delmar Series | Adjustable 3" HF Outlet | Mist (Tile-In) | Polished | 33.630.60HF PS | 35 | \$ 1,090 |
| 60" | Delmar Series | Adjustable 2" Outlet | Perforated | Satin | 33.620.60 ST | 33 | \$ 750 |
| 60" | Delmar Series | Adjustable 2" Outlet | Perforated | Polished | 33.620.60 PS | 33 | \$ 765 |



Price Index by Size

| Size | Series | Type | Line | Finish | SKU | Catalog page | MSRP |
|------------|---------------|-------------------------|-------------------------------|----------|-----------------|--------------|----------|
| 60" | Delmar Series | Adjustable 3" HF Outlet | Perforated | Satin | 33.620.60HF ST | 33 | \$ 815 |
| 60" | Delmar Series | Adjustable 3" HF Outlet | Perforated | Polished | 33.620.60HF PS | 33 | \$ 830 |
| 60" | Delmar Series | Adjustable 2" Outlet | Wedgewire | Satin | 33.610.60 ST | 31 | \$ 1,305 |
| 60" | Delmar Series | Adjustable 2" Outlet | Wedgewire | Polished | 33.610.60 PS | 31 | \$ 1,595 |
| 60" | Delmar Series | Adjustable 2" Outlet | Wedgewire | Black | 33.610.60 BK | 31 | \$ 1,520 |
| 60" | Delmar Series | Adjustable 3" HF Outlet | Wedgewire | Satin | 33.610.60HF ST | 31 | \$ 1,370 |
| 60" | Delmar Series | Adjustable 3" HF Outlet | Wedgewire | Polished | 33.610.60HF PS | 31 | \$ 1,660 |
| 60" | Delmar Series | Adjustable 3" HF Outlet | Wedgewire | Black | 33.610.60HF BK | 31 | \$ 1,585 |
| 60" | Lagos Series | Adjustable 2" Outlet | Base Kit (grate not included) | Satin | 88.B600.60 ST | 153-158 | \$ 230 |
| 60" | Lagos Series | Adjustable 2" Outlet | Base Kit (grate not included) | Polished | 88.B600.60 PS | 153-158 | \$ 230 |
| 60" | Lagos Series | Adjustable 2" Outlet | Base Kit (grate not included) | Black | 88.B600.60 BK | 153-158 | \$ 395 |
| 60" | Lagos Series | Adjustable 3" HF Outlet | Base Kit (grate not included) | Satin | 88.B600.60HF ST | 153-158 | \$ 295 |
| 60" | Lagos Series | Adjustable 3" HF Outlet | Base Kit (grate not included) | Polished | 88.B600.60HF PS | 153-158 | \$ 295 |
| 60" | Lagos Series | Adjustable 3" HF Outlet | Base Kit (grate not included) | Black | 88.B600.60HF BK | 153-158 | \$ 460 |
| 60" | Lagos Series | Adjustable 2" Outlet | Mist (Tile-In) | Satin | 88.630.60 ST | 77 | \$ 780 |
| 60" | Lagos Series | Adjustable 2" Outlet | Mist (Tile-In) | Polished | 88.630.60 PS | 77 | \$ 780 |
| 60" | Lagos Series | Adjustable 3" HF Outlet | Mist (Tile-In) | Satin | 88.630.60HF ST | 77 | \$ 845 |
| 60" | Lagos Series | Adjustable 3" HF Outlet | Mist (Tile-In) | Polished | 88.630.60HF PS | 77 | \$ 845 |
| 60" | Lagos Series | Adjustable 2" Outlet | Perforated | Satin | 88.620.60 ST | 75 | \$ 505 |
| 60" | Lagos Series | Adjustable 2" Outlet | Perforated | Polished | 88.620.60 PS | 75 | \$ 520 |
| 60" | Lagos Series | Adjustable 3" HF Outlet | Perforated | Satin | 88.620.60HF ST | 75 | \$ 570 |
| 60" | Lagos Series | Adjustable 3" HF Outlet | Perforated | Polished | 88.620.60HF PS | 75 | \$ 585 |
| 60" | Lagos Series | Adjustable 2" Outlet | Wedgewire | Satin | 88.610.60 ST | 73 | \$ 1,060 |
| 60" | Lagos Series | Adjustable 2" Outlet | Wedgewire | Polished | 88.610.60 PS | 73 | \$ 1,350 |
| 60" | Lagos Series | Adjustable 2" Outlet | Wedgewire | Black | 88.610.60 BK | 73 | \$ 1,275 |
| 60" | Lagos Series | Adjustable 3" HF Outlet | Wedgewire | Satin | 88.610.60HF ST | 73 | \$ 1,125 |
| 60" | Lagos Series | Adjustable 3" HF Outlet | Wedgewire | Polished | 88.610.60HF PS | 73 | \$ 1,415 |
| 60" | Lagos Series | Adjustable 3" HF Outlet | Wedgewire | Black | 88.610.60HF BK | 73 | \$ 1,340 |
| 72" | | | | | | | |
| 72" | Delmar Series | Adjustable 2" Outlet | Base Kit (grate not included) | Satin | 33.B600.72 ST | 153-158 | \$ 525 |
| 72" | Delmar Series | Adjustable 2" Outlet | Base Kit (grate not included) | Polished | 33.B600.72 PS | 153-158 | \$ 525 |
| 72" | Delmar Series | Adjustable 2" Outlet | Base Kit (grate not included) | Black | 33.B600.72 BK | 153-158 | \$ 675 |
| 72" | Delmar Series | Adjustable 3" HF Outlet | Base Kit (grate not included) | Satin | 33.B600.72HF ST | 153-158 | \$ 590 |
| 72" | Delmar Series | Adjustable 3" HF Outlet | Base Kit (grate not included) | Polished | 33.B600.72HF PS | 153-158 | \$ 590 |
| 72" | Delmar Series | Adjustable 3" HF Outlet | Base Kit (grate not included) | Black | 33.B600.72HF BK | 153-158 | \$ 740 |
| 72" | Delmar Series | Adjustable 2" Outlet | Mist (Tile-In) | Satin | 33.630.72 ST | 35 | \$ 1,495 |
| 72" | Delmar Series | Adjustable 2" Outlet | Mist (Tile-In) | Polished | 33.630.72 PS | 35 | \$ 1,460 |
| 72" | Delmar Series | Adjustable 3" HF Outlet | Mist (Tile-In) | Satin | 33.630.72HF ST | 35 | \$ 1,560 |
| 72" | Delmar Series | Adjustable 3" HF Outlet | Mist (Tile-In) | Polished | 33.630.72HF PS | 35 | \$ 1,560 |
| 72" | Delmar Series | Adjustable 2" Outlet | Perforated | Satin | 33.620.72 ST | 33 | \$ 1,000 |
| 72" | Delmar Series | Adjustable 2" Outlet | Perforated | Polished | 33.620.72 PS | 33 | \$ 1,175 |
| 72" | Delmar Series | Adjustable 3" HF Outlet | Perforated | Satin | 33.620.72HF ST | 33 | \$ 1,065 |
| 72" | Delmar Series | Adjustable 3" HF Outlet | Perforated | Polished | 33.620.72HF PS | 33 | \$ 1,240 |
| 72" | Delmar Series | Adjustable 2" Outlet | Wedgewire | Satin | 33.610.72 ST | 31 | \$ 1,565 |
| 72" | Delmar Series | Adjustable 2" Outlet | Wedgewire | Polished | 33.610.72 PS | 31 | \$ 1,925 |
| 72" | Delmar Series | Adjustable 2" Outlet | Wedgewire | Black | 33.610.72 BK | 31 | \$ 2,040 |
| 72" | Delmar Series | Adjustable 3" HF Outlet | Wedgewire | Satin | 33.610.72HF ST | 31 | \$ 1,695 |
| 72" | Delmar Series | Adjustable 3" HF Outlet | Wedgewire | Polished | 33.610.72HF PS | 31 | \$ 2,055 |
| 72" | Delmar Series | Adjustable 3" HF Outlet | Wedgewire | Black | 33.610.72HF BK | 31 | \$ 2,170 |
| 72" | Lagos Series | Adjustable 2" Outlet | Base Kit (grate not included) | Satin | 88.B600.72 ST | 153-158 | \$ 265 |
| 72" | Lagos Series | Adjustable 2" Outlet | Base Kit (grate not included) | Polished | 88.B600.72 PS | 153-158 | \$ 265 |
| 72" | Lagos Series | Adjustable 2" Outlet | Base Kit (grate not included) | Black | 88.B600.72 BK | 153-158 | \$ 465 |
| 72" | Lagos Series | Adjustable 3" HF Outlet | Base Kit (grate not included) | Satin | 88.B600.72HF ST | 153-158 | \$ 330 |
| 72" | Lagos Series | Adjustable 3" HF Outlet | Base Kit (grate not included) | Polished | 88.B600.72HF PS | 153-158 | \$ 330 |
| 72" | Lagos Series | Adjustable 3" HF Outlet | Base Kit (grate not included) | Black | 88.B600.72HF BK | 153-158 | \$ 530 |
| 72" | Lagos Series | Adjustable 2" Outlet | Mist (Tile-In) | Satin | 88.630.72 ST | 77 | \$ 1,140 |
| 72" | Lagos Series | Adjustable 2" Outlet | Mist (Tile-In) | Polished | 88.630.72 PS | 77 | \$ 1,140 |
| 72" | Lagos Series | Adjustable 3" HF Outlet | Mist (Tile-In) | Satin | 88.630.72HF ST | 77 | \$ 1,205 |
| 72" | Lagos Series | Adjustable 3" HF Outlet | Mist (Tile-In) | Polished | 88.630.72HF PS | 77 | \$ 1,205 |
| 72" | Lagos Series | Adjustable 2" Outlet | Perforated | Satin | 88.620.72 ST | 75 | \$ 645 |
| 72" | Lagos Series | Adjustable 2" Outlet | Perforated | Polished | 88.620.72 PS | 75 | \$ 820 |
| 72" | Lagos Series | Adjustable 3" HF Outlet | Perforated | Satin | 88.620.72HF ST | 75 | \$ 710 |
| 72" | Lagos Series | Adjustable 3" HF Outlet | Perforated | Polished | 88.620.72HF PS | 75 | \$ 885 |
| 72" | Lagos Series | Adjustable 2" Outlet | Wedgewire | Satin | 88.610.72 ST | 73 | \$ 1,275 |
| 72" | Lagos Series | Adjustable 2" Outlet | Wedgewire | Polished | 88.610.72 PS | 73 | \$ 1,635 |
| 72" | Lagos Series | Adjustable 2" Outlet | Wedgewire | Black | 88.610.72 BK | 73 | \$ 1,750 |
| 72" | Lagos Series | Adjustable 3" HF Outlet | Wedgewire | Satin | 88.610.72HF ST | 73 | \$ 1,340 |
| 72" | Lagos Series | Adjustable 3" HF Outlet | Wedgewire | Polished | 88.610.72HF PS | 73 | \$ 1,700 |
| 72" | Lagos Series | Adjustable 3" HF Outlet | Wedgewire | Black | 88.610.72HF BK | 73 | \$ 1,815 |
| 96" | | | | | | | |
| 96" | Delmar Series | Adjustable 2" Outlet | Base Kit (grate not included) | Satin | 33.B600.96 ST | 153-158 | \$ 670 |
| 96" | Delmar Series | Adjustable 2" Outlet | Base Kit (grate not included) | Polished | 33.B600.96 PS | 153-158 | \$ 670 |
| 96" | Delmar Series | Adjustable 2" Outlet | Base Kit (grate not included) | Black | 33.B600.96 BK | 153-158 | \$ 840 |
| 96" | Delmar Series | Adjustable 3" HF Outlet | Base Kit (grate not included) | Satin | 33.B600.96HF ST | 153-158 | \$ 735 |
| 96" | Delmar Series | Adjustable 3" HF Outlet | Base Kit (grate not included) | Polished | 33.B600.96HF PS | 153-158 | \$ 735 |
| 96" | Delmar Series | Adjustable 3" HF Outlet | Base Kit (grate not included) | Black | 33.B600.96HF BK | 153-158 | \$ 905 |
| 96" | Delmar Series | Adjustable 2" Outlet | Mist (Tile-In) | Satin | 33.630.96 ST | 35 | \$ 1,695 |
| 96" | Delmar Series | Adjustable 2" Outlet | Mist (Tile-In) | Polished | 33.630.96 PS | 35 | \$ 1,660 |
| 96" | Delmar Series | Adjustable 3" HF Outlet | Mist (Tile-In) | Satin | 33.630.96HF ST | 35 | \$ 1,760 |
| 96" | Delmar Series | Adjustable 3" HF Outlet | Mist (Tile-In) | Polished | 33.630.96HF PS | 35 | \$ 1,760 |
| 96" | Delmar Series | Adjustable 2" Outlet | Perforated | Satin | 33.620.96 ST | 33 | \$ 1,285 |
| 96" | Delmar Series | Adjustable 2" Outlet | Perforated | Polished | 33.620.96 PS | 33 | \$ 1,360 |
| 96" | Delmar Series | Adjustable 3" HF Outlet | Perforated | Satin | 33.620.96HF ST | 33 | \$ 1,350 |



Price Index by Size

| Size | Series | Type | Line | Finish | SKU | Catalog page | MSRP |
|-------------------------------------|---------------|-------------------------|-------------------------------|----------|-----------------|--------------|----------|
| 96" | Delmar Series | Adjustable 3" HF Outlet | Perforated | Polished | 33.620.96HF PS | 33 | \$ 1,425 |
| 96" | Delmar Series | Adjustable 2" Outlet | Wedgewire | Satin | 33.610.96 ST | 31 | \$ 2,130 |
| 96" | Delmar Series | Adjustable 2" Outlet | Wedgewire | Polished | 33.610.96 PS | 31 | \$ 2,655 |
| 96" | Delmar Series | Adjustable 2" Outlet | Wedgewire | Black | 33.610.96 BK | 31 | \$ 2,490 |
| 96" | Delmar Series | Adjustable 3" HF Outlet | Wedgewire | Satin | 33.610.96HF ST | 31 | \$ 2,260 |
| 96" | Delmar Series | Adjustable 3" HF Outlet | Wedgewire | Polished | 33.610.96HF PS | 31 | \$ 2,785 |
| 96" | Delmar Series | Adjustable 3" HF Outlet | Wedgewire | Black | 33.610.96HF BK | 31 | \$ 2,620 |
| 96" | Lagos Series | Adjustable 2" Outlet | Base Kit (grate not included) | Satin | 88.B600.96 ST | 153-158 | \$ 330 |
| 96" | Lagos Series | Adjustable 2" Outlet | Base Kit (grate not included) | Satin | 88.B600.96 PS | 153-158 | \$ 330 |
| 96" | Lagos Series | Adjustable 2" Outlet | Base Kit (grate not included) | Black | 88.B600.96 BK | 153-158 | \$ 500 |
| 96" | Lagos Series | Adjustable 3" HF Outlet | Base Kit (grate not included) | Satin | 88.B600.96HF ST | 153-158 | \$ 395 |
| 96" | Lagos Series | Adjustable 3" HF Outlet | Base Kit (grate not included) | Polished | 88.B600.96HF PS | 153-158 | \$ 395 |
| 96" | Lagos Series | Adjustable 3" HF Outlet | Base Kit (grate not included) | Black | 88.B600.96HF BK | 153-158 | \$ 565 |
| 96" | Lagos Series | Adjustable 2" Outlet | Mist (Tile-In) | Satin | 88.630.96 ST | 77 | \$ 1,260 |
| 96" | Lagos Series | Adjustable 2" Outlet | Mist (Tile-In) | Polished | 88.630.96 PS | 77 | \$ 1,260 |
| 96" | Lagos Series | Adjustable 3" HF Outlet | Mist (Tile-In) | Satin | 88.630.96HF ST | 77 | \$ 1,325 |
| 96" | Lagos Series | Adjustable 3" HF Outlet | Mist (Tile-In) | Polished | 88.630.96HF PS | 77 | \$ 1,325 |
| 96" | Lagos Series | Adjustable 2" Outlet | Perforated | Satin | 88.620.96 ST | 75 | \$ 850 |
| 96" | Lagos Series | Adjustable 2" Outlet | Perforated | Polished | 88.620.96 PS | 75 | \$ 925 |
| 96" | Lagos Series | Adjustable 3" HF Outlet | Perforated | Satin | 88.620.96HF ST | 75 | \$ 915 |
| 96" | Lagos Series | Adjustable 3" HF Outlet | Perforated | Polished | 88.620.96HF PS | 75 | \$ 990 |
| 96" | Lagos Series | Adjustable 2" Outlet | Wedgewire | Satin | 88.610.96 ST | 73 | \$ 1,760 |
| 96" | Lagos Series | Adjustable 2" Outlet | Wedgewire | Polished | 88.610.96 PS | 73 | \$ 2,285 |
| 96" | Lagos Series | Adjustable 2" Outlet | Wedgewire | Black | 88.610.96 BK | 73 | \$ 2,120 |
| 96" | Lagos Series | Adjustable 3" HF Outlet | Wedgewire | Satin | 88.610.96HF ST | 73 | \$ 1,825 |
| 96" | Lagos Series | Adjustable 3" HF Outlet | Wedgewire | Polished | 88.610.96HF PS | 73 | \$ 2,350 |
| 96" | Lagos Series | Adjustable 3" HF Outlet | Wedgewire | Black | 88.610.96HF BK | 73 | \$ 2,185 |
| Center Drains | | | | | | | |
| 4" x 4" | | | | | | | |
| 4" x 4" | Bay Series | Round | Ria | Satin | 38.100.04R ST | 97 | \$ 25 |
| 4" x 4" | Bay Series | Square | Ria | Satin | 38.100.04 ST | 97 | \$ 25 |
| 4" x 4" | Bay Series | Square | Ria | Polished | 38.100.04 PS | 97 | \$ 26 |
| 4" x 4" | Delmar Series | Square | Delta | Satin | 33.300.04 ST | 59 | \$ 125 |
| 4" x 4" | Delmar Series | Square | Delta | Polished | 33.300.04 PS | 59 | \$ 155 |
| 4" x 4" | Delmar Series | Square | Kai | Satin | 33.200.04 ST | 63 | \$ 125 |
| 4" x 4" | Delmar Series | Square | Lotus | Black | 33.400.04 BK | 67 | \$ 199 |
| 4" x 4" | Delmar Series | Square | Lotus | Bronze | 33.400.04 BZ | 67 | \$ 199 |
| 4" x 4" | Delmar Series | Square | Lotus | Gold | 33.400.04 GD | 67 | \$ 295 |
| 4" x 4" | Delmar Series | Square | Mist (Tile-In) | Satin | 33.500.04 ST | 51 | \$ 149 |
| 4" x 4" | Delmar Series | Square | Nami | Satin | 33.100.04 ST | 87 | \$ 125 |
| 4" x 4" | Lagos Series | Square | Mira | Satin | 88.100.04 ST | 87 | \$ 55 |
| 4" x 4" | Lagos Series | Square | Mira | Polished | 88.100.04 PS | 87 | \$ 55 |
| 4" x 4" | Lagos Series | Square | Mira | Bronze | 88.100.04 BZ | 87 | \$ 95 |
| 4" x 4" | Lagos Series | Square | Mira | Black | 88.100.04 BK | 87 | \$ 95 |
| 4" x 4" | Lagos Series | Square | Mira | Gold | 88.100.04 GD | 87 | \$ 95 |
| 4" x 4" | Lagos Series | Square | Veil | Polished | 88.300.04 PS | 89 | \$ 65 |
| 4" x 4" | Lagos Series | Square | Veil | Satin | 88.300.04 ST | 89 | \$ 65 |
| 4" x 4" | Lagos Series | Square | Veil | Black | 88.300.04 BK | 89 | \$ 105 |
| 4" x 4" | Lagos Series | Square | Veil | Gold | 88.300.04 GD | 89 | \$ 105 |
| 5 3/4" x 5 3/4" | | | | | | | |
| 5 3/4" x 5 3/4" | Bay Series | Square | Ria | Satin | 38.100.06 ST | 97 | \$ 35 |
| 5 3/4" x 5 3/4" | Bay Series | Square | Ria | Polished | 38.100.06 PS | 97 | \$ 36 |
| 5 3/4" x 5 3/4" | Delmar Series | Square | Delta | Satin | 33.300.06 ST | 59 | \$ 165 |
| 5 3/4" x 5 3/4" | Delmar Series | Square | Delta | Polished | 33.300.06 PS | 59 | \$ 195 |
| 5 3/4" x 5 3/4" | Delmar Series | Square | Kai | Satin | 33.200.06 ST | 63 | \$ 165 |
| 5 3/4" x 5 3/4" | Delmar Series | Square | Lotus | Black | 33.400.06 BK | 67 | \$ 295 |
| 5 3/4" x 5 3/4" | Delmar Series | Square | Lotus | Bronze | 33.400.06 BZ | 67 | \$ 295 |
| 5 3/4" x 5 3/4" | Delmar Series | Square | Lotus | Gold | 33.400.06 GD | 67 | \$ 199 |
| 5 3/4" x 5 3/4" | Delmar Series | Square | Mist (Tile-In) | Satin | 33.500.06 ST | 51 | \$ 179 |
| 5 3/4" x 5 3/4" | Delmar Series | Square | Nami | Satin | 33.100.06 ST | 65 | \$ 165 |
| 5 3/4" x 5 3/4" | Lagos Series | Square | Mira | Satin | 88.100.06 ST | 87 | \$ 95 |
| 5 3/4" x 5 3/4" | Lagos Series | Square | Mira | Polished | 88.100.06 PS | 87 | \$ 95 |
| 5 3/4" x 5 3/4" | Lagos Series | Square | Mira | Bronze | 88.100.06 BZ | 87 | \$ 135 |
| 5 3/4" x 5 3/4" | Lagos Series | Square | Mira | Black | 88.100.06 BK | 87 | \$ 135 |
| 5 3/4" x 5 3/4" | Lagos Series | Square | Mira | Gold | 88.100.06 GD | 87 | \$ 135 |
| 5 3/4" x 5 3/4" | Lagos Series | Square | Veil | Polished | 88.300.06 PS | 89 | \$ 75 |
| 5 3/4" x 5 3/4" | Lagos Series | Square | Veil | Satin | 88.300.06 ST | 89 | \$ 75 |
| 5 3/4" x 5 3/4" | Lagos Series | Square | Veil | Black | 88.300.06 BK | 89 | \$ 130 |
| 5 3/4" x 5 3/4" | Lagos Series | Square | Veil | Gold | 88.300.06 GD | 89 | \$ 130 |
| 8" x 8" | | | | | | | |
| 8" x 8" | Delmar Series | Square | Kai | Satin | 33.200.08HF ST | 63 | \$ 215 |
| Parts, Trims and Accessories | | | | | | | |
| 96" | Delmar Series | Adjustable | Parts: Channel Only | Satin | 33.600.88 ST | 153-158 | \$ 485 |
| 96" | Delmar Series | Adjustable | Parts: Mist (Tile-In) Grate | Satin | 33.G630.96 ST | 153-158 | \$ 895 |
| 96" | Delmar Series | Adjustable | Parts: Perforated Grate | Satin | 33.G620.96 ST | 153-158 | \$ 485 |
| 96" | Delmar Series | Adjustable | Parts: Perforated Grate | Polished | 33.G620.96 PS | 153-158 | \$ 560 |
| 96" | Delmar Series | Adjustable | Parts: Trims | Satin | 33.601.96 ST | 153-158 | \$ 120 |
| 96" | Delmar Series | Adjustable | Parts: Trims | Polished | 33.601.96 PS | 153-158 | \$ 120 |
| 96" | Delmar Series | Adjustable | Parts: Wedgewire Grate | Satin | 33.G610.96 ST | 153-158 | \$ 1,395 |
| 96" | Delmar Series | Adjustable | Parts: Wedgewire Grate | Polished | 33.G610.96 PS | 153-158 | \$ 1,920 |
| 96" | Delmar Series | Adjustable | Parts: Wedgewire Grate | Black | 33.G610.96 BK | 153-158 | \$ 1,585 |



Price Index by Size

| Size | Series | Type | Line | Finish | SKU | Catalog page | MSRP |
|------|---------------|-----------------------------|--------------------------------------|----------|----------------|--------------|----------|
| 96" | Lagos Series | Adjustable | Parts: Channel Only | Satin | 88.600.96 | 153-158 | \$ 145 |
| 72" | Delmar Series | Adjustable | Parts: Channel Only | Satin | 33.600.64 ST | 153-158 | \$ 370 |
| 72" | Delmar Series | Adjustable | Parts: Mist (Tile-In) Grate | Satin | 33.G630.72 ST | 153-158 | \$ 840 |
| 72" | Delmar Series | Adjustable | Parts: Perforated Grate | Satin | 33.G620.72 ST | 153-158 | \$ 345 |
| 72" | Delmar Series | Adjustable | Parts: Perforated Grate | Polished | 33.G620.72 PS | 153-158 | \$ 520 |
| 72" | Delmar Series | Adjustable | Parts: Trims | Satin | 33.601.72 ST | 153-158 | \$ 90 |
| 72" | Delmar Series | Adjustable | Parts: Trims | Polished | 33.601.72 PS | 153-158 | \$ 90 |
| 72" | Delmar Series | Adjustable | Parts: Wedgewire Grate | Satin | 33.G610.72 ST | 153-158 | \$ 975 |
| 72" | Delmar Series | Adjustable | Parts: Wedgewire Grate | Polished | 33.G610.72 PS | 153-158 | \$ 1,335 |
| 72" | Delmar Series | Adjustable | Parts: Wedgewire Grate | Black | 33.G610.72 BK | 153-158 | \$ 1,300 |
| 72" | Lagos Series | Adjustable | Parts: Channel Only | Satin | 88.600.72 | 153-158 | \$ 110 |
| 60" | Delmar Series | Adjustable | Parts: Channel Only | Satin | 33.600.52 ST | 153-158 | \$ 320 |
| 60" | Delmar Series | Adjustable | Parts: Mist (Tile-In) Grate | Satin | 33.G630.60 ST | 153-158 | \$ 565 |
| 60" | Delmar Series | Adjustable | Parts: Perforated Grate | Satin | 33.G620.60 ST | 153-158 | \$ 290 |
| 60" | Delmar Series | Adjustable | Parts: Perforated Grate | Polished | 33.G620.60 PS | 153-158 | \$ 305 |
| 60" | Delmar Series | Adjustable | Parts: Trims | Satin | 33.601.60 ST | 153-158 | \$ 75 |
| 60" | Delmar Series | Adjustable | Parts: Trims | Polished | 33.601.60 PS | 153-158 | \$ 75 |
| 60" | Delmar Series | Adjustable | Parts: Trims | Black | 33.601.60 BK | 153-158 | \$ 175 |
| 60" | Delmar Series | Adjustable | Parts: Wedgewire Grate | Satin | 33.G610.60 ST | 153-158 | \$ 845 |
| 60" | Delmar Series | Adjustable | Parts: Wedgewire Grate | Polished | 33.G610.60 PS | 153-158 | \$ 1,135 |
| 60" | Delmar Series | Adjustable | Parts: Wedgewire Grate | Black | 33.G610.60 BK | 153-158 | \$ 960 |
| 60" | Lagos Series | Adjustable | Parts: Channel Only | Satin | 88.600.60 | 153-158 | \$ 90 |
| 58" | Delmar Series | Standard Length | Parts: Delta Grate | Satin | 33.G300.58 ST | 153-158 | \$ 270 |
| 58" | Delmar Series | Standard Length | Parts: Delta Grate | Polished | 33.G300.58 PS | 153-158 | \$ 295 |
| 58" | Delmar Series | Standard Length Flange Edge | Parts: Flange Edge Channel | Satin | 33.58F ST | 153-158 | \$ 575 |
| 58" | Delmar Series | Side Outlet Flange Edge | Parts: Flange Edge Side Outlet Chann | Satin | 33.58FSO ST | 153-158 | \$ 650 |
| 58" | Delmar Series | Standard Length | Parts: Lotus Grate | Black | 33.G400.58 BZ | 153-158 | \$ 425 |
| 58" | Delmar Series | Standard Length | Parts: Lotus Grate | Bronze | 33.G400.58 BZ | 153-158 | \$ 425 |
| 58" | Delmar Series | Standard Length | Parts: Lotus Grate | Gold | 33.G400.58 GD | 153-158 | \$ 425 |
| 58" | Delmar Series | Standard Length | Parts: Mist (Tile-In) Grate | Satin | 33.G500.58 ST | 153-158 | \$ 445 |
| 58" | Delmar Series | Standard Length | Parts: Mist (Tile-In) Grate | Black | 33.G500.58 BK | 153-158 | \$ 490 |
| 58" | Delmar Series | Standard Length | Parts: Mist (Tile-In) Grate | Satin | 33.G500.58F ST | 153-158 | \$ 305 |
| 58" | Delmar Series | Standard Length | Parts: Plain Edge Channel | Satin | 33.58 ST | 153-158 | \$ 380 |
| 58" | Delmar Series | Standard Length | Parts: Plain Edge Channel | Black | 33.58 BK | 153-158 | \$ 440 |
| 58" | Delmar Series | Standard Length | Parts: Plain Edge Channel | Bronze | 33.58 BZ | 153-158 | \$ 440 |
| 58" | Delmar Series | Standard Length | Parts: Plain Edge Channel | Gold | 33.58 GD | 153-158 | \$ 440 |
| 58" | Delmar Series | Standard Length | Parts: Wedgewire Grate | Satin | 33.G700.58 ST | 153-158 | \$ 815 |
| 58" | Delmar Series | Standard Length | Parts: Wedgewire Grate | Polished | 33.G700.58 PS | 153-158 | \$ 1,105 |
| 58" | Delmar Series | Standard Length | Parts: Wedgewire Grate | Black | 33.G700.58 BK | 153-158 | \$ 1,105 |
| 48" | Delmar Series | Adjustable | Parts: Channel Only | Satin | 33.600.40 ST | 153-158 | \$ 260 |
| 48" | Delmar Series | Standard Length | Parts: Delta Grate | Satin | 33.G300.48 ST | 153-158 | \$ 235 |
| 48" | Delmar Series | Standard Length | Parts: Delta Grate | Polished | 33.G300.48 PS | 153-158 | \$ 260 |
| 48" | Delmar Series | Standard Length Flange Edge | Parts: Flange Edge Channel | Satin | 33.48F ST | 153-158 | \$ 490 |
| 48" | Delmar Series | Side Outlet Flange Edge | Parts: Flange Edge Side Outlet Chann | Satin | 33.48FSO ST | 153-158 | \$ 550 |
| 48" | Delmar Series | Standard Length | Parts: Lotus Grate | Black | 33.G400.48 BK | 153-158 | \$ 360 |
| 48" | Delmar Series | Standard Length | Parts: Lotus Grate | Bronze | 33.G400.48 BZ | 153-158 | \$ 360 |
| 48" | Delmar Series | Standard Length | Parts: Lotus Grate | Gold | 33.G400.48 GD | 153-158 | \$ 360 |
| 48" | Delmar Series | Standard Length | Parts: Mist (Tile-In) Grate | Satin | 33.G500.48 ST | 153-158 | \$ 345 |
| 48" | Delmar Series | Standard Length | Parts: Mist (Tile-In) Grate | Black | 33.G500.48 BK | 153-158 | \$ 410 |
| 48" | Delmar Series | Standard Length | Parts: Mist (Tile-In) Grate | Satin | 33.G500.48F ST | 153-158 | \$ 255 |
| 48" | Delmar Series | Adjustable | Parts: Mist (Tile-In) Grate | Satin | 33.G630.48 ST | 153-158 | \$ 480 |
| 48" | Delmar Series | Adjustable | Parts: Perforated Grate | Satin | 33.G620.48 ST | 153-158 | \$ 250 |
| 48" | Delmar Series | Adjustable | Parts: Perforated Grate | Polished | 33.G620.48 PS | 153-158 | \$ 255 |
| 48" | Delmar Series | Standard Length | Parts: Plain Edge Channel | Satin | 33.48 ST | 153-158 | \$ 350 |
| 48" | Delmar Series | Standard Length | Parts: Plain Edge Channel | Black | 33.48 BK | 153-158 | \$ 385 |
| 48" | Delmar Series | Standard Length | Parts: Plain Edge Channel | Bronze | 33.48 BZ | 153-158 | \$ 385 |
| 48" | Delmar Series | Standard Length | Parts: Plain Edge Channel | Gold | 33.48 GD | 153-158 | \$ 385 |
| 48" | Delmar Series | Adjustable | Parts: Trims | Satin | 33.601.48 ST | 153-158 | \$ 60 |
| 48" | Delmar Series | Adjustable | Parts: Trims | Polished | 33.601.48 PS | 153-158 | \$ 60 |
| 48" | Delmar Series | Adjustable | Parts: Trims | Black | 33.601.48 BK | 153-158 | \$ 145 |
| 48" | Delmar Series | Standard Length | Parts: Wedgewire Grate | Satin | 33.G700.48 ST | 153-158 | \$ 700 |
| 48" | Delmar Series | Standard Length | Parts: Wedgewire Grate | Polished | 33.G700.48 PS | 153-158 | \$ 960 |
| 48" | Delmar Series | Standard Length | Parts: Wedgewire Grate | Black | 33.G700.48 BK | 153-158 | \$ 960 |
| 48" | Delmar Series | Adjustable | Parts: Wedgewire Grate | Satin | 33.G610.48 ST | 153-158 | \$ 700 |
| 48" | Delmar Series | Adjustable | Parts: Wedgewire Grate | Polished | 33.G610.48 PS | 153-158 | \$ 960 |
| 48" | Delmar Series | Adjustable | Parts: Wedgewire Grate | Black | 33.G610.48 BK | 153-158 | \$ 795 |
| 48" | Lagos Series | Adjustable | Parts: Channel Only | Satin | 88.600.48 | 153-158 | \$ 75 |
| 36" | Delmar Series | Adjustable | Parts: Channel Only | Satin | 33.600.28 ST | 153-158 | \$ 205 |
| 36" | Delmar Series | Standard Length | Parts: Delta Grate | Satin | 33.G300.36 ST | 153-158 | \$ 190 |
| 36" | Delmar Series | Standard Length | Parts: Delta Grate | Polished | 33.G300.36 PS | 153-158 | \$ 210 |
| 36" | Delmar Series | Standard Length Flange Edge | Parts: Flange Edge Channel | Satin | 33.36F ST | 153-158 | \$ 385 |
| 36" | Delmar Series | Side Outlet Flange Edge | Parts: Flange Edge Side Outlet Chann | Satin | 33.36FSO ST | 153-158 | \$ 450 |
| 36" | Delmar Series | Standard Length | Parts: Kai Grate | Satin | 33.G200.36 ST | 153-158 | \$ 190 |
| 36" | Delmar Series | Standard Length | Parts: Lotus Grate | Black | 33.G400.36 BK | 153-158 | \$ 275 |
| 36" | Delmar Series | Standard Length | Parts: Lotus Grate | Bronze | 33.G400.36 BZ | 153-158 | \$ 275 |
| 36" | Delmar Series | Standard Length | Parts: Lotus Grate | Gold | 33.G400.36 GD | 153-158 | \$ 275 |
| 36" | Delmar Series | Standard Length | Parts: Mist (Tile-In) Grate | Satin | 33.G500.36 ST | 153-158 | \$ 295 |
| 36" | Delmar Series | Standard Length | Parts: Mist (Tile-In) Grate | Black | 33.G500.36 BK | 153-158 | \$ 335 |
| 36" | Delmar Series | Standard Length | Parts: Mist (Tile-In) Grate | Satin | 33.G500.36F ST | 153-158 | \$ 195 |
| 36" | Delmar Series | Adjustable | Parts: Mist (Tile-In) Grate | Satin | 33.G630.36 ST | 153-158 | \$ 365 |
| 36" | Delmar Series | Standard Length | Parts: Nami Grate | Satin | 33.G100.36 ST | 153-158 | \$ 190 |
| 36" | Delmar Series | Adjustable | Parts: Perforated Grate | Satin | 33.G620.36 ST | 153-158 | \$ 190 |
| 36" | Delmar Series | Adjustable | Parts: Perforated Grate | Polished | 33.G620.36 PS | 153-158 | \$ 200 |
| 36" | Delmar Series | Standard Length | Parts: Plain Edge Channel | Satin | 33.36 ST | 153-158 | \$ 270 |
| 36" | Delmar Series | Standard Length | Parts: Plain Edge Channel | Black | 33.36 BK | 153-158 | \$ 330 |



Price Index by Size

| Size | Series | Type | Line | Finish | SKU | Catalog page | MSRP |
|-------|---------------|-----------------------------|--------------------------------------|----------|----------------|--------------|--------|
| 36" | Delmar Series | Standard Length | Parts: Plain Edge Channel | Bronze | 33.36 BZ | 153-158 | \$ 330 |
| 36" | Delmar Series | Standard Length | Parts: Plain Edge Channel | Gold | 33.36 GD | 153-158 | \$ 325 |
| 36" | Delmar Series | Adjustable | Parts: Trims | Satin | 33.601.36 ST | 153-158 | \$ 45 |
| 36" | Delmar Series | Adjustable | Parts: Trims | Polished | 33.601.36 PS | 153-158 | \$ 45 |
| 36" | Delmar Series | Adjustable | Parts: Trims | Black | 33.601.36 BK | 153-158 | \$ 120 |
| 36" | Delmar Series | Standard Length | Parts: Wedgewire Grate | Satin | 33.G700.36 ST | 153-158 | \$ 570 |
| 36" | Delmar Series | Standard Length | Parts: Wedgewire Grate | Polished | 33.G700.36 PS | 153-158 | \$ 715 |
| 36" | Delmar Series | Standard Length | Parts: Wedgewire Grate | Black | 33.G700.36 BK | 153-158 | \$ 715 |
| 36" | Delmar Series | Adjustable | Parts: Wedgewire Grate | Satin | 33.G610.36 ST | 153-158 | \$ 570 |
| 36" | Delmar Series | Adjustable | Parts: Wedgewire Grate | Polished | 33.G610.36 PS | 153-158 | \$ 715 |
| 36" | Delmar Series | Adjustable | Parts: Wedgewire Grate | Black | 33.G610.36 BK | 153-158 | \$ 650 |
| 36" | Lagos Series | Adjustable | Parts: Channel Only | Satin | 88.600.36 | 153-158 | \$ 55 |
| 32" | Delmar Series | Standard Length | Parts: Delta Grate | Satin | 33.G300.32 ST | 153-158 | \$ 175 |
| 32" | Delmar Series | Standard Length | Parts: Delta Grate | Polished | 33.G300.32 PS | 153-158 | \$ 195 |
| 32" | Delmar Series | Standard Length Flange Edge | Parts: Flange Edge Channel | Satin | 33.32F ST | 153-158 | \$ 365 |
| 32" | Delmar Series | Side Outlet Flange Edge | Parts: Flange Edge Side Outlet Chann | Satin | 33.32FSO ST | 153-158 | \$ 415 |
| 32" | Delmar Series | Standard Length | Parts: Kai Grate | Satin | 33.G200.32 ST | 153-158 | \$ 175 |
| 32" | Delmar Series | Standard Length | Parts: Lotus Grate | Black | 33.G400.32 BK | 153-158 | \$ 250 |
| 32" | Delmar Series | Standard Length | Parts: Lotus Grate | Bronze | 33.G400.32 BZ | 153-158 | \$ 250 |
| 32" | Delmar Series | Standard Length | Parts: Lotus Grate | Gold | 33.G400.32 GD | 153-158 | \$ 250 |
| 32" | Delmar Series | Standard Length | Parts: Mist (Tile-In) Grate | Satin | 33.G500.32 ST | 153-158 | \$ 275 |
| 32" | Delmar Series | Standard Length | Parts: Mist (Tile-In) Grate | Black | 33.G500.32 BK | 153-158 | \$ 320 |
| 32" | Delmar Series | Standard Length | Parts: Mist (Tile-In) Grate | Satin | 33.G500.32F ST | 153-158 | \$ 180 |
| 32" | Delmar Series | Standard Length | Parts: Nami Grate | Satin | 33.G100.32 ST | 153-158 | \$ 175 |
| 32" | Delmar Series | Standard Length | Parts: Plain Edge Channel | Satin | 33.32 ST | 153-158 | \$ 250 |
| 32" | Delmar Series | Standard Length | Parts: Plain Edge Channel | Black | 33.32 BK | 153-158 | \$ 310 |
| 32" | Delmar Series | Standard Length | Parts: Plain Edge Channel | Bronze | 33.32 BZ | 153-158 | \$ 305 |
| 32" | Delmar Series | Standard Length | Parts: Plain Edge Channel | Gold | 33.32 GD | 153-158 | \$ 305 |
| 32" | Delmar Series | Standard Length | Parts: Wedgewire Grate | Satin | 33.G700.32 ST | 153-158 | \$ 525 |
| 32" | Delmar Series | Standard Length | Parts: Wedgewire Grate | Polished | 33.G700.32 PS | 153-158 | \$ 655 |
| 32" | Delmar Series | Standard Length | Parts: Wedgewire Grate | Black | 33.G700.32 BK | 153-158 | \$ 655 |
| 28" | Delmar Series | Standard Length | Parts: Delta Grate | Satin | 33.G300.28 ST | 153-158 | \$ 160 |
| 28" | Delmar Series | Standard Length | Parts: Delta Grate | Polished | 33.G300.28 PS | 153-158 | \$ 175 |
| 28" | Delmar Series | Standard Length Flange Edge | Parts: Flange Edge Channel | Satin | 33.28F ST | 153-158 | \$ 325 |
| 28" | Delmar Series | Side Outlet Flange Edge | Parts: Flange Edge Side Outlet Chann | Satin | 33.28FSO ST | 153-158 | \$ 380 |
| 28" | Delmar Series | Standard Length | Parts: Kai Grate | Satin | 33.G200.28 ST | 153-158 | \$ 160 |
| 28" | Delmar Series | Standard Length | Parts: Lotus Grate | Black | 33.G400.28 BK | 153-158 | \$ 235 |
| 28" | Delmar Series | Standard Length | Parts: Lotus Grate | Bronze | 33.G400.28 BZ | 153-158 | \$ 235 |
| 28" | Delmar Series | Standard Length | Parts: Lotus Grate | Gold | 33.G400.28 GD | 153-158 | \$ 235 |
| 28" | Delmar Series | Standard Length | Parts: Mist (Tile-In) Grate | Satin | 33.G500.28 ST | 153-158 | \$ 270 |
| 28" | Delmar Series | Standard Length | Parts: Mist (Tile-In) Grate | Black | 33.G500.28 BK | 153-158 | \$ 315 |
| 28" | Delmar Series | Standard Length | Parts: Mist (Tile-In) Grate | Satin | 33.G500.28F ST | 153-158 | \$ 160 |
| 28" | Delmar Series | Standard Length | Parts: Nami Grate | Satin | 33.G100.28 ST | 153-158 | \$ 165 |
| 28" | Delmar Series | Standard Length | Parts: Plain Edge Channel | Black | 33.28 BK | 153-158 | \$ 280 |
| 28" | Delmar Series | Standard Length | Parts: Plain Edge Channel | Bronze | 33.28 BZ | 153-158 | \$ 280 |
| 28" | Delmar Series | Standard Length | Parts: Plain Edge Channel | Gold | 33.28 GD | 153-158 | \$ 280 |
| 28" | Delmar Series | Standard Length | Parts: Plain Edge Channel | Satin | 33.28 ST | 153-158 | \$ 225 |
| 28" | Delmar Series | Standard Length | Parts: Wedgewire Grate | Satin | 33.G700.28 ST | 153-158 | \$ 480 |
| 28" | Delmar Series | Standard Length | Parts: Wedgewire Grate | Polished | 33.G700.28 PS | 153-158 | \$ 585 |
| 28" | Delmar Series | Standard Length | Parts: Wedgewire Grate | Black | 33.G700.28 BK | 153-158 | \$ 585 |
| 24" | Delmar Series | Standard Length | Parts: Delta Grate | Satin | 33.G300.24 ST | 153-158 | \$ 145 |
| 24" | Delmar Series | Standard Length | Parts: Delta Grate | Polished | 33.G300.24 PS | 153-158 | \$ 160 |
| 24" | Delmar Series | Standard Length Flange Edge | Parts: Flange Edge Channel | Satin | 33.24F ST | 153-158 | \$ 300 |
| 24" | Delmar Series | Side Outlet Flange Edge | Parts: Flange Edge Side Outlet Chann | Satin | 33.24FSO ST | 153-158 | \$ 350 |
| 24" | Delmar Series | Standard Length | Parts: Kai Grate | Satin | 33.G200.24 ST | 153-158 | \$ 145 |
| 24" | Delmar Series | Standard Length | Parts: Lotus Grate | Black | 33.G400.24 BK | 153-158 | \$ 200 |
| 24" | Delmar Series | Standard Length | Parts: Lotus Grate | Bronze | 33.G400.24 BZ | 153-158 | \$ 200 |
| 24" | Delmar Series | Standard Length | Parts: Lotus Grate | Gold | 33.G400.24 GD | 153-158 | \$ 200 |
| 24" | Delmar Series | Standard Length | Parts: Mist (Tile-In) Grate | Satin | 33.G500.24 ST | 153-158 | \$ 255 |
| 24" | Delmar Series | Standard Length | Parts: Mist (Tile-In) Grate | Black | 33.G500.24 BK | 153-158 | \$ 300 |
| 24" | Delmar Series | Standard Length | Parts: Mist (Tile-In) Grate | Satin | 33.G500.24F ST | 153-158 | \$ 140 |
| 24" | Delmar Series | Standard Length | Parts: Nami Grate | Satin | 33.G100.24 ST | 153-158 | \$ 145 |
| 24" | Delmar Series | Standard Length | Parts: Plain Edge Channel | Satin | 33.24 ST | 153-158 | \$ 210 |
| 24" | Delmar Series | Standard Length | Parts: Plain Edge Channel | Black | 33.24 BK | 153-158 | \$ 265 |
| 24" | Delmar Series | Standard Length | Parts: Plain Edge Channel | Bronze | 33.24 BZ | 153-158 | \$ 265 |
| 24" | Delmar Series | Standard Length | Parts: Plain Edge Channel | Gold | 33.24 GD | 153-158 | \$ 265 |
| 24" | Delmar Series | Standard Length | Parts: Wedgewire Grate | Satin | 33.G700.24 ST | 153-158 | \$ 440 |
| 24" | Delmar Series | Standard Length | Parts: Wedgewire Grate | Polished | 33.G700.24 PS | 153-158 | \$ 525 |
| 24" | Delmar Series | Standard Length | Parts: Wedgewire Grate | Black | 33.G700.24 BK | 153-158 | \$ 525 |
| 12" | Lagos Series | Adjustable | Parts: Accessories Kit | Satin | 88.601.1.COR | 153-158 | \$ 40 |
| 2X48" | Delmar Series | Adjustable | Parts: Trims | Black | 33.601.96 BK | 153-158 | \$ 290 |
| 2x36" | Delmar Series | Adjustable | Parts: Trims | Black | 33.601.72 BK | 153-158 | \$ 240 |
| | Delmar Series | Adjustable | Parts: Accessories Kit | Satin | 33.601.2.0UT | 153-158 | \$ 65 |
| | Delmar Series | Adjustable | Parts: Accessories Kit | Satin | 33.601.3HF | 153-158 | \$ 130 |
| | Delmar Series | Adjustable | Parts: Accessories Kit | Satin | 33.601.1.COR | 153-158 | \$ 90 |
| | Lagos Series | Adjustable | Parts: Accessories Kit | Satin | 88.601.2.0UT | 153-158 | \$ 50 |
| | Lagos Series | Adjustable | Parts: Accessories Kit | Satin | 88.601.3HF | 153-158 | \$ 70 |

Price Index by Finish





Price Index by Finish

| Satin SS | | | | | | | |
|----------|---------------|---|-------------------------------|--------|-----------------|--------------|----------|
| Size | Series | Type | Line | Finish | SKU | Catalog page | MSRP |
| | Delmar Series | Supreme | | Satin | 33.810.08 ST | 23 | \$ 550 |
| 12" | Lagos Series | Standard Length Plain | Veil | Satin | 88.300.12 ST | 81 | \$ 95 |
| 24" | Bay Series | Standard Length Plain | 2 in 1 | Satin | 38.100.24 ST | 93 | \$ 195 |
| 24" | Bay Series | Standard Length Plain | Ria | Satin | 38.200.24 ST | 95 | \$ 195 |
| 24" | Delmar Series | Standard Length Plain | Delta | Satin | 33.300.24 ST | 42 | \$ 355 |
| 24" | Delmar Series | Standard Length Flange Edge | Delta | Satin | 33.300.24F ST | 42 | \$ 445 |
| 24" | Delmar Series | Standard Length Side Outlet Flange Edge | Delta | Satin | 33.300.24FSO ST | 42 | \$ 495 |
| 24" | Delmar Series | Standard Length Plain | Kai | Satin | 33.200.24 ST | 48 | \$ 355 |
| 24" | Delmar Series | Standard Length Flange Edge | Kai | Satin | 33.200.24F ST | 48 | \$ 445 |
| 24" | Delmar Series | Standard Length Side Outlet Flange Edge | Kai | Satin | 33.200.24FSO ST | 48 | \$ 495 |
| 24" | Delmar Series | Standard Length Plain | Mist (Tile-In) | Satin | 33.500.24 ST | 46 | \$ 465 |
| 24" | Delmar Series | Standard Length Flange Edge | Mist (Tile-In) | Satin | 33.500.24F ST | 46 | \$ 440 |
| 24" | Delmar Series | Standard Length Side Outlet Flange Edge | Mist (Tile-In) | Satin | 33.500.24FSO ST | 46 | \$ 490 |
| 24" | Delmar Series | Standard Length Plain | Nami | Satin | 33.100.24 ST | 52 | \$ 355 |
| 24" | Delmar Series | Standard Length Flange Edge | Nami | Satin | 33.100.24F ST | 52 | \$ 445 |
| 24" | Delmar Series | Standard Length Side Outlet Flange Edge | Nami | Satin | 33.100.24FSO ST | 52 | \$ 495 |
| 24" | Delmar Series | Standard Length Plain | Wedgewire | Satin | 33.700.24 ST | 40 | \$ 650 |
| 24" | Delmar Series | Standard Length Flange Edge | Wedgewire | Satin | 33.700.24F ST | 40 | \$ 740 |
| 24" | Delmar Series | Standard Length Side Outlet Flange Edge | Wedgewire | Satin | 33.700.24FSO ST | 40 | \$ 790 |
| 28" | Delmar Series | Standard Length Plain | Delta | Satin | 33.300.28 ST | 42 | \$ 390 |
| 28" | Delmar Series | Standard Length Flange Edge | Delta | Satin | 33.300.28F ST | 42 | \$ 490 |
| 28" | Delmar Series | Standard Length Side Outlet Flange Edge | Delta | Satin | 33.300.28FSO ST | 42 | \$ 545 |
| 28" | Delmar Series | Standard Length Plain | Kai | Satin | 33.200.28 ST | 48 | \$ 390 |
| 28" | Delmar Series | Standard Length Flange Edge | Kai | Satin | 33.200.28F ST | 48 | \$ 490 |
| 28" | Delmar Series | Standard Length Side Outlet Flange Edge | Kai | Satin | 33.200.28FSO ST | 48 | \$ 545 |
| 28" | Delmar Series | Standard Length Plain | Mist (Tile-In) | Satin | 33.500.28 ST | 46 | \$ 495 |
| 28" | Delmar Series | Standard Length Flange Edge | Mist (Tile-In) | Satin | 33.500.28F ST | 46 | \$ 485 |
| 28" | Delmar Series | Standard Length Side Outlet Flange Edge | Mist (Tile-In) | Satin | 33.500.28FSO ST | 46 | \$ 540 |
| 28" | Delmar Series | Standard Length Plain | Nami | Satin | 33.100.28 ST | 52 | \$ 390 |
| 28" | Delmar Series | Standard Length Flange Edge | Nami | Satin | 33.100.28F ST | 52 | \$ 490 |
| 28" | Delmar Series | Standard Length Side Outlet Flange Edge | Nami | Satin | 33.100.28FSO ST | 52 | \$ 545 |
| 28" | Delmar Series | Standard Length Plain | Wedgewire | Satin | 33.700.28 ST | 40 | \$ 705 |
| 28" | Delmar Series | Standard Length Flange Edge | Wedgewire | Satin | 33.700.28F ST | 40 | \$ 805 |
| 28" | Delmar Series | Standard Length Side Outlet Flange Edge | Wedgewire | Satin | 33.700.28FSO ST | 40 | \$ 860 |
| 30" | Delmar Series | Supreme | Supreme | Satin | 33.800.30 ST | 21 | \$ 775 |
| 32" | Delmar Series | Standard Length Plain | Delta | Satin | 33.300.32 ST | 42 | \$ 425 |
| 32" | Delmar Series | Standard Length Flange Edge | Delta | Satin | 33.300.32F ST | 42 | \$ 540 |
| 32" | Delmar Series | Standard Length Side Outlet Flange Edge | Delta | Satin | 33.300.32FSO ST | 42 | \$ 590 |
| 32" | Delmar Series | Standard Length Plain | Kai | Satin | 33.200.32 ST | 48 | \$ 425 |
| 32" | Delmar Series | Standard Length Flange Edge | Kai | Satin | 33.200.32F ST | 48 | \$ 540 |
| 32" | Delmar Series | Standard Length Side Outlet Flange Edge | Kai | Satin | 33.200.32FSO ST | 48 | \$ 590 |
| 32" | Delmar Series | Standard Length Plain | Mist (Tile-In) | Satin | 33.500.32 ST | 46 | \$ 525 |
| 32" | Delmar Series | Standard Length Flange Edge | Mist (Tile-In) | Satin | 33.500.32F ST | 46 | \$ 545 |
| 32" | Delmar Series | Standard Length Side Outlet Flange Edge | Mist (Tile-In) | Satin | 33.500.32FSO ST | 46 | \$ 595 |
| 32" | Delmar Series | Standard Length Plain | Nami | Satin | 33.100.32 ST | 52 | \$ 425 |
| 32" | Delmar Series | Standard Length Flange Edge | Nami | Satin | 33.100.32F ST | 52 | \$ 540 |
| 32" | Delmar Series | Standard Length Side Outlet Flange Edge | Nami | Satin | 33.100.32FSO ST | 52 | \$ 590 |
| 32" | Delmar Series | Standard Length Plain | Wedgewire | Satin | 33.700.32 ST | 40 | \$ 775 |
| 32" | Delmar Series | Standard Length Flange Edge | Wedgewire | Satin | 33.700.32F ST | 40 | \$ 890 |
| 32" | Delmar Series | Standard Length Side Outlet Flange Edge | Wedgewire | Satin | 33.700.32FSO ST | 40 | \$ 940 |
| 36" | Bay Series | Standard Length Plain | 2 in 1 | Satin | 38.100.36 ST | 93 | \$ 250 |
| 36" | Bay Series | Standard Length Plain | Ria | Satin | 38.200.36 ST | 95 | \$ 250 |
| 36" | Delmar Series | Adjustable 2" Outlet | Base Kit (grate not included) | Satin | 33.B600.36 ST | 153-158 | \$ 315 |
| 36" | Delmar Series | Adjustable 3" HF Outlet | Base Kit (grate not included) | Satin | 33.B600.36HF ST | 153-158 | \$ 380 |
| 36" | Delmar Series | Standard Length Plain | Delta | Satin | 33.300.36 ST | 42 | \$ 460 |
| 36" | Delmar Series | Standard Length Flange Edge | Delta | Satin | 33.300.36F ST | 42 | \$ 575 |
| 36" | Delmar Series | Standard Length Side Outlet Flange Edge | Delta | Satin | 33.300.36FSO ST | 42 | \$ 640 |
| 36" | Delmar Series | Standard Length Plain | Kai | Satin | 33.200.36 ST | 48 | \$ 460 |
| 36" | Delmar Series | Standard Length Flange Edge | Kai | Satin | 33.200.36F ST | 48 | \$ 575 |
| 36" | Delmar Series | Standard Length Side Outlet Flange Edge | Kai | Satin | 33.200.36FSO ST | 48 | \$ 640 |
| 36" | Delmar Series | Standard Length Plain | Mist (Tile-In) | Satin | 33.500.36 ST | 46 | \$ 565 |
| 36" | Delmar Series | Standard Length Flange Edge | Mist (Tile-In) | Satin | 33.500.36F ST | 46 | \$ 580 |
| 36" | Delmar Series | Standard Length Side Outlet Flange Edge | Mist (Tile-In) | Satin | 33.500.36FSO ST | 46 | \$ 645 |
| 36" | Delmar Series | Adjustable 2" Outlet | Mist (Tile-In) | Satin | 33.630.36 ST | 35 | \$ 680 |
| 36" | Delmar Series | Adjustable 3" HF Outlet | Mist (Tile-In) | Satin | 33.630.36HF ST | 35 | \$ 745 |
| 36" | Delmar Series | Adjustable 3" HF Outlet | Mist (Tile-In) | Satin | 33.630.48HF ST | 35 | \$ 930 |
| 36" | Delmar Series | Standard Length Plain | Nami | Satin | 33.100.36 ST | 52 | \$ 460 |
| 36" | Delmar Series | Standard Length Flange Edge | Nami | Satin | 33.100.36F ST | 52 | \$ 575 |
| 36" | Delmar Series | Standard Length Side Outlet Flange Edge | Nami | Satin | 33.100.36FSO ST | 52 | \$ 640 |
| 36" | Delmar Series | Adjustable 2" Outlet | Perforated | Satin | 33.620.36 ST | 33 | \$ 505 |
| 36" | Delmar Series | Adjustable 3" HF Outlet | Perforated | Satin | 33.620.36HF ST | 33 | \$ 570 |
| 36" | Delmar Series | Standard Length Plain | Wedgewire | Satin | 33.700.36 ST | 40 | \$ 840 |
| 36" | Delmar Series | Standard Length Flange Edge | Wedgewire | Satin | 33.700.36F ST | 40 | \$ 955 |
| 36" | Delmar Series | Standard Length Side Outlet Flange Edge | Wedgewire | Satin | 33.700.36FSO ST | 40 | \$ 1,020 |
| 36" | Delmar Series | Adjustable 2" Outlet | Wedgewire | Satin | 33.610.36 ST | 31 | \$ 885 |
| 36" | Delmar Series | Adjustable 3" HF Outlet | Wedgewire | Satin | 33.610.36HF ST | 31 | \$ 950 |
| 36" | Lagos Series | Adjustable 2" Outlet | Base Kit (grate not included) | Satin | 88.B600.36 ST | 153-158 | \$ 165 |
| 36" | Lagos Series | Adjustable 3" HF Outlet | Base Kit (grate not included) | Satin | 88.B600.36HF ST | 153-158 | \$ 230 |
| 36" | Lagos Series | Adjustable 2" Outlet | Mist (Tile-In) | Satin | 88.630.36 ST | 77 | \$ 515 |
| 36" | Lagos Series | Adjustable 3" HF Outlet | Mist (Tile-In) | Satin | 88.630.36HF ST | 77 | \$ 580 |
| 36" | Lagos Series | Adjustable 2" Outlet | Perforated | Satin | 88.620.36 ST | 75 | \$ 340 |
| 36" | Lagos Series | Adjustable 3" HF Outlet | Perforated | Satin | 88.620.36HF ST | 75 | \$ 405 |



Price Index by Finish

| Size | Series | Type | Line | Finish | SKU | Catalog page | MSRP |
|-----------------|---------------|---|-------------------------------|--------|-----------------|--------------|----------|
| 36" | Lagos Series | Adjustable 2" Outlet | Wedgewire | Satin | 88.610.36 ST | 73 | \$ 720 |
| 36" | Lagos Series | Adjustable 3" HF Outlet | Wedgewire | Satin | 88.610.36HF ST | 73 | \$ 785 |
| 4" x 4" | Bay Series | Round | Ria | Satin | 38.100.04R ST | 97 | \$ 25 |
| 4" x 4" | Bay Series | Square | Ria | Satin | 38.100.04 ST | 97 | \$ 25 |
| 4" x 4" | Delmar Series | Square | Delta | Satin | 33.300.04 ST | 59 | \$ 125 |
| 4" x 4" | Delmar Series | Square | Kai | Satin | 33.200.04 ST | 63 | \$ 125 |
| 4" x 4" | Delmar Series | Square | Mist (Tile-In) | Satin | 33.500.04 ST | 51 | \$ 149 |
| 4" x 4" | Delmar Series | Square | Nami | Satin | 33.100.04 ST | 65 | \$ 125 |
| 4" x 4" | Lagos Series | Square | Mira | Satin | 88.100.04 ST | 87 | \$ 55 |
| 4" x 4" | Lagos Series | Square | Veil | Satin | 88.300.04 ST | 89 | \$ 65 |
| 40" | Delmar Series | Supreme | Supreme | Satin | 33.800.40 ST | 21 | \$ 875 |
| 48" | Delmar Series | Adjustable 2" Outlet | Base Kit (grate not included) | Satin | 33.B600.48 ST | 153-158 | \$ 385 |
| 48" | Delmar Series | Adjustable 3" HF Outlet | Base Kit (grate not included) | Satin | 33.B600.48HF ST | 153-158 | \$ 450 |
| 48" | Delmar Series | Standard Length Plain | Delta | Satin | 33.300.48 ST | 42 | \$ 585 |
| 48" | Delmar Series | Standard Length Flange Edge | Delta | Satin | 33.300.48F ST | 42 | \$ 725 |
| 48" | Delmar Series | Standard Length Side Outlet Flange Edge | Delta | Satin | 33.300.48FSO ST | 42 | \$ 785 |
| 48" | Delmar Series | Standard Length Plain | Mist (Tile-In) | Satin | 33.500.48 ST | 46 | \$ 695 |
| 48" | Delmar Series | Standard Length Flange Edge | Mist (Tile-In) | Satin | 33.500.48F ST | 46 | \$ 745 |
| 48" | Delmar Series | Standard Length Side Outlet Flange Edge | Mist (Tile-In) | Satin | 33.500.48FSO ST | 46 | \$ 805 |
| 48" | Delmar Series | Adjustable 2" Outlet | Mist (Tile-In) | Satin | 33.630.48 ST | 35 | \$ 865 |
| 48" | Delmar Series | Adjustable 3" HF Outlet | Mist (Tile-In) | Satin | 33.630.60HF ST | 35 | \$ 1,090 |
| 48" | Delmar Series | Adjustable 2" Outlet | Perforated | Satin | 33.620.48 ST | 33 | \$ 635 |
| 48" | Delmar Series | Adjustable 3" HF Outlet | Perforated | Satin | 33.620.48HF ST | 33 | \$ 700 |
| 48" | Delmar Series | Standard Length Plain | Wedgewire | Satin | 33.700.48 ST | 40 | \$ 1,050 |
| 48" | Delmar Series | Standard Length Flange Edge | Wedgewire | Satin | 33.700.48F ST | 40 | \$ 1,190 |
| 48" | Delmar Series | Standard Length Side Outlet Flange Edge | Wedgewire | Satin | 33.700.48FSO ST | 40 | \$ 1,250 |
| 48" | Delmar Series | Adjustable 2" Outlet | Wedgewire | Satin | 33.610.48 ST | 31 | \$ 1,085 |
| 48" | Delmar Series | Adjustable 3" HF Outlet | Wedgewire | Satin | 33.610.48HF ST | 31 | \$ 1,150 |
| 48" | Lagos Series | Adjustable 2" Outlet | Base Kit (grate not included) | Satin | 88.B600.48 ST | 153-158 | \$ 200 |
| 48" | Lagos Series | Adjustable 3" HF Outlet | Base Kit (grate not included) | Satin | 88.B600.48HF ST | 153-158 | \$ 265 |
| 48" | Lagos Series | Adjustable 2" Outlet | Mist (Tile-In) | Satin | 88.630.48 ST | 77 | \$ 665 |
| 48" | Lagos Series | Adjustable 3" HF Outlet | Mist (Tile-In) | Satin | 88.630.48HF ST | 77 | \$ 730 |
| 48" | Lagos Series | Adjustable 2" Outlet | Perforated | Satin | 88.620.48 ST | 75 | \$ 435 |
| 48" | Lagos Series | Adjustable 3" HF Outlet | Perforated | Satin | 88.620.48HF ST | 75 | \$ 500 |
| 48" | Lagos Series | Adjustable 2" Outlet | Wedgewire | Satin | 88.610.48 ST | 73 | \$ 885 |
| 48" | Lagos Series | Adjustable 3" HF Outlet | Wedgewire | Satin | 88.610.48HF ST | 73 | \$ 950 |
| 50" | Delmar Series | Supreme | Supreme | Satin | 33.800.50 ST | 21 | \$ 955 |
| 5 3/4" x 5 3/4" | Bay Series | Square | Ria | Satin | 38.100.06 ST | 97 | \$ 35 |
| 5 3/4" x 5 3/4" | Delmar Series | Square | Delta | Satin | 33.300.06 ST | 59 | \$ 165 |
| 5 3/4" x 5 3/4" | Delmar Series | Square | Kai | Satin | 33.200.06 ST | 63 | \$ 165 |
| 5 3/4" x 5 3/4" | Delmar Series | Square | Mist (Tile-In) | Satin | 33.500.05 ST | 51 | \$ 179 |
| 5 3/4" x 5 3/4" | Delmar Series | Square | Nami | Satin | 33.100.06 ST | 65 | \$ 165 |
| 5 3/4" x 5 3/4" | Lagos Series | Square | Mira | Satin | 88.100.06 ST | 87 | \$ 95 |
| 5 3/4" x 5 3/4" | Lagos Series | Square | Veil | Satin | 88.300.06 ST | 89 | \$ 75 |
| 58" | Delmar Series | Standard Length Plain | Delta | Satin | 33.300.58 ST | 42 | \$ 650 |
| 58" | Delmar Series | Standard Length Flange Edge | Delta | Satin | 33.300.58F ST | 42 | \$ 845 |
| 58" | Delmar Series | Standard Length Side Outlet Flange Edge | Delta | Satin | 33.300.58FSO ST | 42 | \$ 920 |
| 58" | Delmar Series | Standard Length Plain | Mist (Tile-In) | Satin | 33.500.58 ST | 46 | \$ 825 |
| 58" | Delmar Series | Standard Length Flange Edge | Mist (Tile-In) | Satin | 33.500.58F ST | 46 | \$ 880 |
| 58" | Delmar Series | Standard Length Side Outlet Flange Edge | Mist (Tile-In) | Satin | 33.500.58FSO ST | 46 | \$ 955 |
| 58" | Delmar Series | Standard Length Plain | Wedgewire | Satin | 33.700.58 ST | 40 | \$ 1,195 |
| 58" | Delmar Series | Standard Length Flange Edge | Wedgewire | Satin | 33.700.58F ST | 40 | \$ 1,390 |
| 58" | Delmar Series | Standard Length Side Outlet Flange Edge | Wedgewire | Satin | 33.700.58FSO ST | 40 | \$ 1,465 |
| 60" | Delmar Series | Supreme | Supreme | Satin | 33.800.60 ST | 21 | \$ 1,045 |
| 60" | Delmar Series | Adjustable 2" Outlet | Base Kit (grate not included) | Satin | 33.B600.60 ST | 153-158 | \$ 460 |
| 60" | Delmar Series | Adjustable 3" HF Outlet | Base Kit (grate not included) | Satin | 33.B600.60HF ST | 153-158 | \$ 525 |
| 60" | Delmar Series | Adjustable 2" Outlet | Mist (Tile-In) | Satin | 33.630.60 ST | 35 | \$ 1,025 |
| 60" | Delmar Series | Adjustable 3" HF Outlet | Mist (Tile-In) | Satin | 33.630.60HF ST | 35 | \$ 1,090 |
| 60" | Delmar Series | Adjustable 2" Outlet | Perforated | Satin | 33.620.60 ST | 33 | \$ 750 |
| 60" | Delmar Series | Adjustable 3" HF Outlet | Perforated | Satin | 33.620.60HF ST | 33 | \$ 815 |
| 60" | Delmar Series | Adjustable 2" Outlet | Wedgewire | Satin | 33.610.60 ST | 31 | \$ 1,305 |
| 60" | Delmar Series | Adjustable 3" HF Outlet | Wedgewire | Satin | 33.610.60HF ST | 31 | \$ 1,370 |
| 60" | Lagos Series | Adjustable 2" Outlet | Base Kit (grate not included) | Satin | 88.B600.60 ST | 153-158 | \$ 230 |
| 60" | Lagos Series | Adjustable 3" HF Outlet | Base Kit (grate not included) | Satin | 88.B600.60HF ST | 153-158 | \$ 295 |
| 60" | Lagos Series | Adjustable 2" Outlet | Mist (Tile-In) | Satin | 88.630.60 ST | 77 | \$ 780 |
| 60" | Lagos Series | Adjustable 3" HF Outlet | Mist (Tile-In) | Satin | 88.630.60HF ST | 77 | \$ 845 |
| 60" | Lagos Series | Adjustable 2" Outlet | Perforated | Satin | 88.620.60 ST | 75 | \$ 505 |
| 60" | Lagos Series | Adjustable 3" HF Outlet | Perforated | Satin | 88.620.60HF ST | 75 | \$ 570 |
| 60" | Lagos Series | Adjustable 2" Outlet | Wedgewire | Satin | 88.610.60 ST | 73 | \$ 1,060 |
| 60" | Lagos Series | Adjustable 3" HF Outlet | Wedgewire | Satin | 88.610.60HF ST | 73 | \$ 1,125 |
| 72" | Delmar Series | Adjustable 2" Outlet | Base Kit (grate not included) | Satin | 33.B600.72 ST | 153-158 | \$ 525 |
| 72" | Delmar Series | Adjustable 3" HF Outlet | Base Kit (grate not included) | Satin | 33.B600.72HF ST | 153-158 | \$ 590 |
| 72" | Delmar Series | Adjustable 2" Outlet | Mist (Tile-In) | Satin | 33.630.72 ST | 35 | \$ 1,495 |
| 72" | Delmar Series | Adjustable 3" HF Outlet | Mist (Tile-In) | Satin | 33.630.72HF ST | 35 | \$ 1,560 |
| 72" | Delmar Series | Adjustable 2" Outlet | Perforated | Satin | 33.620.72 ST | 33 | \$ 1,000 |
| 72" | Delmar Series | Adjustable 3" HF Outlet | Perforated | Satin | 33.620.72HF ST | 33 | \$ 1,065 |
| 72" | Delmar Series | Adjustable 2" Outlet | Wedgewire | Satin | 33.610.72 ST | 31 | \$ 1,565 |
| 72" | Delmar Series | Adjustable 3" HF Outlet | Wedgewire | Satin | 33.610.72HF ST | 31 | \$ 1,695 |
| 72" | Lagos Series | Adjustable 2" Outlet | Base Kit (grate not included) | Satin | 88.B600.72 ST | 153-158 | \$ 265 |
| 72" | Lagos Series | Adjustable 3" HF Outlet | Base Kit (grate not included) | Satin | 88.B600.72HF ST | 153-158 | \$ 330 |
| 72" | Lagos Series | Adjustable 2" Outlet | Mist (Tile-In) | Satin | 88.630.72 ST | 77 | \$ 1,140 |
| 72" | Lagos Series | Adjustable 3" HF Outlet | Mist (Tile-In) | Satin | 88.630.72HF ST | 77 | \$ 1,205 |
| 72" | Lagos Series | Adjustable 2" Outlet | Perforated | Satin | 88.620.72 ST | 75 | \$ 645 |



Price Index by Finish

| Size | Series | Type | Line | Finish | SKU | Catalog page | MSRP |
|--------------------|---------------|---|-------------------------------|--------|-----------------|--------------|----------|
| 72" | Lagos Series | Adjustable 3" HF Outlet | Perforated | Satin | 88.620.72HF ST | 75 | \$ 710 |
| 72" | Lagos Series | Adjustable 2" Outlet | Wedgewire | Satin | 88.610.72 ST | 73 | \$ 1,275 |
| 72" | Lagos Series | Adjustable 3" HF Outlet | Wedgewire | Satin | 88.610.72HF ST | 73 | \$ 1,340 |
| 8" x 8" | Delmar Series | Square | Kai | Satin | 33.200.08HF ST | 63 | \$ 215 |
| 96" | Delmar Series | Adjustable 2" Outlet | Base Kit (grate not included) | Satin | 33.B600.96 ST | 153-158 | \$ 670 |
| 96" | Delmar Series | Adjustable 3" HF Outlet | Base Kit (grate not included) | Satin | 33.B600.96HF ST | 153-158 | \$ 735 |
| 96" | Delmar Series | Adjustable 2" Outlet | Mist (Tile-In) | Satin | 33.630.96 ST | 35 | \$ 1,695 |
| 96" | Delmar Series | Adjustable 3" HF Outlet | Mist (Tile-In) | Satin | 33.630.96HF ST | 35 | \$ 1,760 |
| 96" | Delmar Series | Adjustable 2" Outlet | Perforated | Satin | 33.620.96 ST | 33 | \$ 1,285 |
| 96" | Delmar Series | Adjustable 3" HF Outlet | Perforated | Satin | 33.620.96HF ST | 33 | \$ 1,350 |
| 96" | Delmar Series | Adjustable 2" Outlet | Wedgewire | Satin | 33.610.96 ST | 31 | \$ 2,130 |
| 96" | Delmar Series | Adjustable 3" HF Outlet | Wedgewire | Satin | 33.610.96HF ST | 31 | \$ 2,260 |
| 96" | Lagos Series | Adjustable 2" Outlet | Base Kit (grate not included) | Satin | 88.B600.96 ST | 153-158 | \$ 330 |
| 96" | Lagos Series | Adjustable 2" Outlet | Base Kit (grate not included) | Satin | 88.B600.96 PS | 153-158 | \$ 330 |
| 96" | Lagos Series | Adjustable 3" HF Outlet | Base Kit (grate not included) | Satin | 88.B600.96HF ST | 153-158 | \$ 395 |
| 96" | Lagos Series | Adjustable 2" Outlet | Mist (Tile-In) | Satin | 88.630.96 ST | 77 | \$ 1,260 |
| 96" | Lagos Series | Adjustable 3" HF Outlet | Mist (Tile-In) | Satin | 88.630.96HF ST | 77 | \$ 1,325 |
| 96" | Lagos Series | Adjustable 2" Outlet | Perforated | Satin | 88.620.96 ST | 75 | \$ 850 |
| 96" | Lagos Series | Adjustable 3" HF Outlet | Perforated | Satin | 88.620.96HF ST | 75 | \$ 915 |
| 96" | Lagos Series | Adjustable 2" Outlet | Wedgewire | Satin | 88.610.96 ST | 73 | \$ 1,760 |
| 96" | Lagos Series | Adjustable 3" HF Outlet | Wedgewire | Satin | 88.610.96HF ST | 73 | \$ 1,825 |
| Matte Black | | | | | | | |
| | Delmar Series | Supreme | Supreme Tile In + | Black | 33.810.08 BK | 23 | \$ 595 |
| 12" | Lagos Series | Standard Length Plain | Veil | Black | 88.300.12 BK | 81 | \$ 169 |
| 24" | Bay Series | Standard Length Plain | Ria | Black | 38.200.24 BK | 95 | \$ 315 |
| 24" | Delmar Series | Standard Length Plain | Lotus | Black | 33.400.24 BK | 54 | \$ 465 |
| 24" | Delmar Series | Standard Length Flange Edge | Lotus | Black | 33.400.24F BK | 54 | \$ 500 |
| 24" | Delmar Series | Standard Length Side Outlet Flange Edge | Lotus | Black | 33.400.24FSO BK | 54 | \$ 550 |
| 24" | Delmar Series | Standard Length Plain | Mist (Tile-In) | Black | 33.500.24 BK | 46 | \$ 565 |
| 24" | Delmar Series | Standard Length Plain | Wedgewire | Black | 33.700.24 BK | 40 | \$ 790 |
| 24" | Delmar Series | Standard Length Flange Edge | Wedgewire | Black | 33.700.24F BK | 40 | \$ 825 |
| 24" | Delmar Series | Standard Length Side Outlet Flange Edge | Wedgewire | Black | 33.700.24FSO BK | 40 | \$ 875 |
| 28" | Delmar Series | Standard Length Plain | Lotus | Black | 33.400.28 BK | 54 | \$ 515 |
| 28" | Delmar Series | Standard Length Flange Edge | Lotus | Black | 33.400.28F BK | 54 | \$ 560 |
| 28" | Delmar Series | Standard Length Side Outlet Flange Edge | Lotus | Black | 33.400.28FSO BK | 54 | \$ 615 |
| 28" | Delmar Series | Standard Length Plain | Mist (Tile-In) | Black | 33.500.28 BK | 46 | \$ 595 |
| 28" | Delmar Series | Standard Length Plain | Wedgewire | Black | 33.700.28 BK | 40 | \$ 865 |
| 28" | Delmar Series | Standard Length Flange Edge | Wedgewire | Black | 33.700.28F BK | 40 | \$ 910 |
| 28" | Delmar Series | Standard Length Side Outlet Flange Edge | Wedgewire | Black | 33.700.28FSO BK | 40 | \$ 965 |
| 30" | Delmar Series | Supreme | Supreme | Black | 33.800.30 BK | 21 | \$ 840 |
| 32" | Delmar Series | Standard Length Plain | Lotus | Black | 33.400.32 BK | 54 | \$ 560 |
| 32" | Delmar Series | Standard Length Flange Edge | Lotus | Black | 33.400.32F BK | 54 | \$ 615 |
| 32" | Delmar Series | Standard Length Side Outlet Flange Edge | Lotus | Black | 33.400.32FSO BK | 54 | \$ 665 |
| 32" | Delmar Series | Standard Length Plain | Mist (Tile-In) | Black | 33.500.32 BK | 46 | \$ 625 |
| 32" | Delmar Series | Standard Length Plain | Wedgewire | Black | 33.700.32 BK | 40 | \$ 960 |
| 32" | Delmar Series | Standard Length Flange Edge | Wedgewire | Black | 33.700.32F BK | 40 | \$ 1,020 |
| 32" | Delmar Series | Standard Length Side Outlet Flange Edge | Wedgewire | Black | 33.700.32FSO BK | 40 | \$ 1,070 |
| 36" | Bay Series | Standard Length Plain | Ria | Black | 38.200.36 BK | 95 | \$ 395 |
| 36" | Delmar Series | Adjustable 2" Outlet | Base Kit (grate not included) | Black | 33.B600.36 BK | 153-158 | \$ 390 |
| 36" | Delmar Series | Adjustable 3" HF Outlet | Base Kit (grate not included) | Black | 33.B600.36HF BK | 153-158 | \$ 455 |
| 36" | Delmar Series | Standard Length Plain | Lotus | Black | 33.400.36 BK | 54 | \$ 605 |
| 36" | Delmar Series | Standard Length Flange Edge | Lotus | Black | 33.400.36F BK | 54 | \$ 660 |
| 36" | Delmar Series | Standard Length Side Outlet Flange Edge | Lotus | Black | 33.400.36FSO BK | 54 | \$ 725 |
| 36" | Delmar Series | Standard Length Plain | Mist (Tile-In) | Black | 33.500.36 BK | 46 | \$ 665 |
| 36" | Delmar Series | Standard Length Plain | Wedgewire | Black | 33.700.36 BK | 31 | \$ 1,045 |
| 36" | Delmar Series | Standard Length Flange Edge | Wedgewire | Black | 33.700.36F BK | 31 | \$ 1,100 |
| 36" | Delmar Series | Standard Length Side Outlet Flange Edge | Wedgewire | Black | 33.700.36FSO BK | 31 | \$ 1,165 |
| 36" | Delmar Series | Adjustable 2" Outlet | Wedgewire | Black | 33.610.36 BK | 73 | \$ 1,040 |
| 36" | Delmar Series | Adjustable 3" HF Outlet | Wedgewire | Black | 33.610.36HF BK | 73 | \$ 1,105 |
| 36" | Lagos Series | Adjustable 2" Outlet | Base Kit (grate not included) | Black | 88.B600.36 BK | 153-158 | \$ 265 |
| 36" | Lagos Series | Adjustable 3" HF Outlet | Base Kit (grate not included) | Black | 88.B600.36HF BK | 153-158 | \$ 330 |
| 36" | Lagos Series | Adjustable 2" Outlet | Wedgewire | Black | 88.610.36 BK | 73 | \$ 875 |
| 36" | Lagos Series | Adjustable 3" HF Outlet | Wedgewire | Black | 88.610.36HF BK | 73 | \$ 940 |
| 4" x 4" | Delmar Series | Square | Lotus | Black | 33.400.04 BK | 67 | \$ 199 |
| 4" x 4" | Lagos Series | Square | Mira | Black | 88.100.04 BK | 87 | \$ 95 |
| 4" x 4" | Lagos Series | Square | Veil | Black | 88.300.04 BK | 89 | \$ 105 |
| 40" | Delmar Series | Supreme | Supreme | Black | 33.800.40 BK | 21 | \$ 955 |
| 48" | Delmar Series | Adjustable 2" Outlet | Base Kit (grate not included) | Black | 33.B600.48 BK | 153-158 | \$ 470 |
| 48" | Delmar Series | Adjustable 3" HF Outlet | Base Kit (grate not included) | Black | 33.B600.48HF BK | 153-158 | \$ 535 |
| 48" | Delmar Series | Standard Length Plain | Lotus | Black | 33.400.48 BK | 54 | \$ 745 |
| 48" | Delmar Series | Standard Length Flange Edge | Lotus | Black | 33.400.48F BK | 54 | \$ 850 |
| 48" | Delmar Series | Standard Length Side Outlet Flange Edge | Lotus | Black | 33.400.48FSO BK | 54 | \$ 910 |
| 48" | Delmar Series | Standard Length Plain | Mist (Tile-In) | Black | 33.500.48 BK | 46 | \$ 795 |
| 48" | Delmar Series | Standard Length Plain | Wedgewire | Black | 33.700.48 BK | 40 | \$ 1,345 |
| 48" | Delmar Series | Standard Length Flange Edge | Wedgewire | Black | 33.700.48F BK | 40 | \$ 1,450 |
| 48" | Delmar Series | Standard Length Side Outlet Flange Edge | Wedgewire | Black | 33.700.48FSO BK | 40 | \$ 1,510 |
| 48" | Delmar Series | Adjustable 2" Outlet | Wedgewire | Black | 33.610.48 BK | 73 | \$ 1,265 |
| 48" | Delmar Series | Adjustable 3" HF Outlet | Wedgewire | Black | 33.610.48HF BK | 73 | \$ 1,330 |
| 48" | Lagos Series | Adjustable 2" Outlet | Base Kit (grate not included) | Black | 88.B600.48 BK | 153-158 | \$ 315 |
| 48" | Lagos Series | Adjustable 3" HF Outlet | Base Kit (grate not included) | Black | 88.B600.48HF BK | 153-158 | \$ 380 |
| 48" | Lagos Series | Adjustable 2" Outlet | Wedgewire | Black | 88.610.48 BK | 73 | \$ 1,065 |
| 48" | Lagos Series | Adjustable 3" HF Outlet | Wedgewire | Black | 88.610.48HF BK | 73 | \$ 1,130 |
| 50" | Delmar Series | Supreme | Supreme | Black | 33.800.50 BK | 21 | \$ 1,045 |



Price Index by Finish

| Size | Series | Type | Line | Finish | SKU | Catalog page | MSRP |
|-------------------|---------------|---|-------------------------------|--------|-----------------|--------------|----------|
| 5 3/4" x 5 3/4" | Delmar Series | Square | Lotus | Black | 33.400.06 BK | 67 | \$ 295 |
| 5 3/4" x 5 3/4" | Lagos Series | Square | Mira | Black | 88.100.06 BK | 87 | \$ 135 |
| 5 3/4" x 5 3/4" | Lagos Series | Square | Veil | Black | 88.300.06 BK | 89 | \$ 130 |
| 58" | Delmar Series | Standard Length Plain | Lotus | Black | 33.400.58 BK | 54 | \$ 865 |
| 58" | Delmar Series | Standard Length Flange Edge | Lotus | Black | 33.400.58F BK | 54 | \$ 1,000 |
| 58" | Delmar Series | Standard Length Side Outlet Flange Edge | Lotus | Black | 33.400.58FSO BK | 54 | \$ 1,075 |
| 58" | Delmar Series | Standard Length Plain | Mist (Tile-In) | Black | 33.500.58 BK | 46 | \$ 930 |
| 58" | Delmar Series | Standard Length Plain | Wedgewire | Black | 33.700.58 BK | 40 | \$ 1,545 |
| 58" | Delmar Series | Standard Length Flange Edge | Wedgewire | Black | 33.700.58F BK | 40 | \$ 1,680 |
| 58" | Delmar Series | Standard Length Side Outlet Flange Edge | Wedgewire | Black | 33.700.58FSO BK | 40 | \$ 1,755 |
| 60" | Delmar Series | Supreme | Supreme | Black | 33.800.60 BK | 21 | \$ 1,145 |
| 60" | Delmar Series | Adjustable 2" Outlet | Base Kit (grate not included) | Black | 33.B600.60 BK | 153-158 | \$ 560 |
| 60" | Delmar Series | Adjustable 3" HF Outlet | Base Kit (grate not included) | Black | 33.B600.60HF BK | 153-158 | \$ 625 |
| 60" | Delmar Series | Adjustable 2" Outlet | Wedgewire | Black | 33.610.60 BK | 31 | \$ 1,520 |
| 60" | Delmar Series | Adjustable 3" HF Outlet | Wedgewire | Black | 33.610.60HF BK | 31 | \$ 1,585 |
| 60" | Lagos Series | Adjustable 2" Outlet | Base Kit (grate not included) | Black | 88.B600.60 BK | 153-158 | \$ 395 |
| 60" | Lagos Series | Adjustable 3" HF Outlet | Base Kit (grate not included) | Black | 88.B600.60HF BK | 153-158 | \$ 460 |
| 60" | Lagos Series | Adjustable 2" Outlet | Wedgewire | Black | 88.610.60 BK | 73 | \$ 1,275 |
| 60" | Lagos Series | Adjustable 3" HF Outlet | Wedgewire | Black | 88.610.60HF BK | 73 | \$ 1,340 |
| 72" | Delmar Series | Adjustable 2" Outlet | Base Kit (grate not included) | Black | 33.B600.72 BK | 153-158 | \$ 675 |
| 72" | Delmar Series | Adjustable 3" HF Outlet | Base Kit (grate not included) | Black | 33.B600.72HF BK | 153-158 | \$ 740 |
| 72" | Delmar Series | Adjustable 2" Outlet | Wedgewire | Black | 33.610.72 BK | 31 | \$ 2,040 |
| 72" | Delmar Series | Adjustable 3" HF Outlet | Wedgewire | Black | 33.610.72HF BK | 31 | \$ 2,170 |
| 72" | Lagos Series | Adjustable 2" Outlet | Base Kit (grate not included) | Black | 88.B600.72 BK | 153-158 | \$ 465 |
| 72" | Lagos Series | Adjustable 3" HF Outlet | Base Kit (grate not included) | Black | 88.B600.72HF BK | 153-158 | \$ 530 |
| 72" | Lagos Series | Adjustable 2" Outlet | Wedgewire | Black | 88.610.72 BK | 73 | \$ 1,750 |
| 72" | Lagos Series | Adjustable 3" HF Outlet | Wedgewire | Black | 88.610.72HF BK | 73 | \$ 1,815 |
| 96" | Delmar Series | Adjustable 2" Outlet | Base Kit (grate not included) | Black | 33.B600.96 BK | 153-158 | \$ 840 |
| 96" | Delmar Series | Adjustable 3" HF Outlet | Base Kit (grate not included) | Black | 33.B600.96HF BK | 153-158 | \$ 905 |
| 96" | Delmar Series | Adjustable 2" Outlet | Wedgewire | Black | 33.610.96 BK | 31 | \$ 2,490 |
| 96" | Delmar Series | Adjustable 3" HF Outlet | Wedgewire | Black | 33.610.96HF BK | 31 | \$ 2,620 |
| 96" | Lagos Series | Adjustable 2" Outlet | Base Kit (grate not included) | Black | 88.B600.96 BK | 153-158 | \$ 500 |
| 96" | Lagos Series | Adjustable 3" HF Outlet | Base Kit (grate not included) | Black | 88.B600.96HF BK | 153-158 | \$ 565 |
| 96" | Lagos Series | Adjustable 2" Outlet | Wedgewire | Black | 88.610.96 BK | 73 | \$ 2,120 |
| 96" | Lagos Series | Adjustable 3" HF Outlet | Wedgewire | Black | 88.610.96HF BK | 73 | \$ 2,185 |
| Bronze | | | | | | | |
| 12" | Lagos Series | Standard Length Plain | Veil | Bronze | 88.300.12 BZ | 81 | \$ 169 |
| 24" | Delmar Series | Standard Length Plain | Lotus | Bronze | 33.400.24 BZ | 54 | \$ 465 |
| 24" | Delmar Series | Standard Length Flange Edge | Lotus | Bronze | 33.400.24F BZ | 54 | \$ 500 |
| 24" | Delmar Series | Standard Length Side Outlet Flange Edge | Lotus | Bronze | 33.400.24FSO BZ | 54 | \$ 550 |
| 28" | Delmar Series | Standard Length Plain | Lotus | Bronze | 33.400.28 BZ | 54 | \$ 515 |
| 28" | Delmar Series | Standard Length Flange Edge | Lotus | Bronze | 33.400.28F BZ | 54 | \$ 560 |
| 28" | Delmar Series | Standard Length Side Outlet Flange Edge | Lotus | Bronze | 33.400.28FSO BZ | 54 | \$ 615 |
| 32" | Delmar Series | Standard Length Plain | Lotus | Bronze | 33.400.32 BZ | 54 | \$ 560 |
| 32" | Delmar Series | Standard Length Flange Edge | Lotus | Bronze | 33.400.32F BZ | 54 | \$ 615 |
| 32" | Delmar Series | Standard Length Side Outlet Flange Edge | Lotus | Bronze | 33.400.32FSO BZ | 54 | \$ 665 |
| 36" | Delmar Series | Standard Length Plain | Lotus | Bronze | 33.400.36 BZ | 54 | \$ 605 |
| 36" | Delmar Series | Standard Length Flange Edge | Lotus | Bronze | 33.400.36F BZ | 54 | \$ 660 |
| 36" | Delmar Series | Standard Length Side Outlet Flange Edge | Lotus | Bronze | 33.400.36FSO BZ | 54 | \$ 725 |
| 4" x 4" | Delmar Series | Square | Lotus | Bronze | 33.400.04 BZ | 67 | \$ 199 |
| 4" x 4" | Lagos Series | Square | Mira | Bronze | 88.100.04 BZ | 87 | \$ 95 |
| 48" | Delmar Series | Standard Length Plain | Lotus | Bronze | 33.400.48 BZ | 54 | \$ 745 |
| 48" | Delmar Series | Standard Length Flange Edge | Lotus | Bronze | 33.400.48F BZ | 54 | \$ 850 |
| 48" | Delmar Series | Standard Length Side Outlet Flange Edge | Lotus | Bronze | 33.400.48FSO BZ | 54 | \$ 910 |
| 5 3/4" x 5 3/4" | Delmar Series | Square | Lotus | Bronze | 33.400.06 BZ | 67 | \$ 295 |
| 5 3/4" x 5 3/4" | Lagos Series | Square | Mira | Bronze | 88.100.06 BZ | 87 | \$ 135 |
| 58" | Delmar Series | Standard Length Plain | Lotus | Bronze | 33.400.58 BZ | 54 | \$ 865 |
| 58" | Delmar Series | Standard Length Flange Edge | Lotus | Bronze | 33.400.58F BZ | 54 | \$ 1,000 |
| 58" | Delmar Series | Standard Length Side Outlet Flange Edge | Lotus | Bronze | 33.400.58FSO BZ | 54 | \$ 1,075 |
| Satin Gold | | | | | | | |
| | Delmar Series | Supreme | Supreme Tile In + | Gold | 33.810.08 GD | 23 | \$ 595 |
| 12" | Lagos Series | Standard Length Plain | Veil | Gold | 88.300.12 GD | 81 | \$ 169 |
| 24" | Bay Series | Standard Length Plain | Ria | Gold | 38.200.24 GD | 95 | \$ 315 |
| 24" | Delmar Series | Standard Length Plain | Lotus | Gold | 33.400.24 GD | 54 | \$ 465 |
| 24" | Delmar Series | Standard Length Flange Edge | Lotus | Gold | 33.400.24F GD | 54 | \$ 500 |
| 24" | Delmar Series | Standard Length Side Outlet Flange Edge | Lotus | Gold | 33.400.24FSO GD | 54 | \$ 550 |
| 28" | Delmar Series | Standard Length Plain | Lotus | Gold | 33.400.28 GD | 54 | \$ 515 |
| 28" | Delmar Series | Standard Length Flange Edge | Lotus | Gold | 33.400.28F GD | 54 | \$ 560 |
| 28" | Delmar Series | Standard Length Side Outlet Flange Edge | Lotus | Gold | 33.400.28FSO GD | 54 | \$ 615 |
| 30" | Delmar Series | Supreme | Supreme | Gold | 33.800.30 GD | 21 | \$ 840 |
| 32" | Delmar Series | Standard Length Plain | Lotus | Gold | 33.400.32 GD | 54 | \$ 560 |
| 32" | Delmar Series | Standard Length Flange Edge | Lotus | Gold | 33.400.32F GD | 54 | \$ 615 |
| 32" | Delmar Series | Standard Length Side Outlet Flange Edge | Lotus | Gold | 33.400.32FSO GD | 54 | \$ 665 |
| 36" | Bay Series | Standard Length Plain | Ria | Gold | 38.200.36 GD | 95 | \$ 395 |
| 36" | Delmar Series | Standard Length Plain | Lotus | Gold | 33.400.36 GD | 54 | \$ 605 |
| 36" | Delmar Series | Standard Length Flange Edge | Lotus | Gold | 33.400.36F GD | 54 | \$ 660 |
| 36" | Delmar Series | Standard Length Side Outlet Flange Edge | Lotus | Gold | 33.400.36FSO GD | 54 | \$ 725 |
| 4" x 4" | Delmar Series | Square | Lotus | Gold | 33.400.04 GD | 67 | \$ 295 |
| 4" x 4" | Lagos Series | Square | Mira | Gold | 88.100.04 GD | 87 | \$ 95 |
| 4" x 4" | Lagos Series | Square | Veil | Gold | 88.300.04 GD | 89 | \$ 105 |
| 40" | Delmar Series | Supreme | Supreme | Gold | 33.800.40 GD | 21 | \$ 955 |
| 48" | Delmar Series | Standard Length Plain | Lotus | Gold | 33.400.48 GD | 54 | \$ 745 |



Price Index by Finish

| Size | Series | Type | Line | Finish | SKU | Catalog page | MSRP |
|--------------------|---------------|---|-------------------------------|----------|-----------------|--------------|----------|
| 48" | Delmar Series | Standard Length Flange Edge | Lotus | Gold | 33.400.48F GD | 54 | \$ 850 |
| 48" | Delmar Series | Standard Length Side Outlet Flange Edge | Lotus | Gold | 33.400.48FSO GD | 54 | \$ 910 |
| 50" | Delmar Series | Supreme | Supreme | Gold | 33.800.50 GD | 21 | \$ 1,045 |
| 5 3/4" x 5 3/4" | Delmar Series | Square | Lotus | Gold | 33.400.06 GD | 67 | \$ 199 |
| 5 3/4" x 5 3/4" | Lagos Series | Square | Mira | Gold | 88.100.06 GD | 87 | \$ 135 |
| 5 3/4" x 5 3/4" | Lagos Series | Square | Veil | Gold | 88.300.06 GD | 89 | \$ 130 |
| 58" | Delmar Series | Standard Length Plain | Lotus | Gold | 33.400.58 GD | 54 | \$ 865 |
| 58" | Delmar Series | Standard Length Flange Edge | Lotus | Gold | 33.400.58F GD | 54 | \$ 1,000 |
| 58" | Delmar Series | Standard Length Side Outlet Flange Edge | Lotus | Gold | 33.400.58FSO GD | 54 | \$ 1,075 |
| 60" | Delmar Series | Supreme | Supreme | Gold | 33.800.60 GD | 21 | \$ 1,145 |
| Polished SS | | | | | | | |
| | Delmar Series | Supreme | Supreme Tile In + | Polished | 33.810.08 PS | 23 | \$ 595 |
| 12" | Lagos Series | Standard Length Plain | Veil | Polished | 88.300.12 PS | 81 | \$ 95 |
| 24" | Bay Series | Standard Length Plain | Ria | Polished | 38.200.24 PS | 95 | \$ 205 |
| 24" | Delmar Series | Standard Length Plain | Delta | Polished | 33.300.24 PS | 42 | \$ 370 |
| 24" | Delmar Series | Standard Length Flange Edge | Delta | Polished | 33.300.24F PS | 42 | \$ 460 |
| 24" | Delmar Series | Standard Length Side Outlet Flange Edge | Delta | Polished | 33.300.24FSO PS | 42 | \$ 510 |
| 24" | Delmar Series | Standard Length Plain | Wedgewire | Polished | 33.700.24 PS | 40 | \$ 735 |
| 24" | Delmar Series | Standard Length Flange Edge | Wedgewire | Polished | 33.700.24F PS | 40 | \$ 825 |
| 24" | Delmar Series | Standard Length Side Outlet Flange Edge | Wedgewire | Polished | 33.700.24FSO PS | 40 | \$ 875 |
| 28" | Delmar Series | Standard Length Plain | Delta | Polished | 33.300.28 PS | 42 | \$ 400 |
| 28" | Delmar Series | Standard Length Flange Edge | Delta | Polished | 33.300.28F PS | 42 | \$ 500 |
| 28" | Delmar Series | Standard Length Side Outlet Flange Edge | Delta | Polished | 33.300.28FSO PS | 42 | \$ 555 |
| 28" | Delmar Series | Standard Length Plain | Wedgewire | Polished | 33.700.28 PS | 40 | \$ 810 |
| 28" | Delmar Series | Standard Length Flange Edge | Wedgewire | Polished | 33.700.28F PS | 40 | \$ 910 |
| 28" | Delmar Series | Standard Length Side Outlet Flange Edge | Wedgewire | Polished | 33.700.28FSO PS | 40 | \$ 965 |
| 30" | Delmar Series | Supreme | Supreme | Polished | 33.800.30 PS | 21 | \$ 775 |
| 32" | Delmar Series | Standard Length Plain | Delta | Polished | 33.300.32 PS | 42 | \$ 445 |
| 32" | Delmar Series | Standard Length Flange Edge | Delta | Polished | 33.300.32F PS | 42 | \$ 560 |
| 32" | Delmar Series | Standard Length Side Outlet Flange Edge | Delta | Polished | 33.300.32FSO PS | 42 | \$ 610 |
| 32" | Delmar Series | Standard Length Plain | Wedgewire | Polished | 33.700.32 PS | 40 | \$ 905 |
| 32" | Delmar Series | Standard Length Flange Edge | Wedgewire | Polished | 33.700.32F PS | 40 | \$ 1,020 |
| 32" | Delmar Series | Standard Length Side Outlet Flange Edge | Wedgewire | Polished | 33.700.32FSO PS | 40 | \$ 1,070 |
| 36" | Bay Series | Standard Length Plain | Ria | Polished | 38.200.36 PS | 95 | \$ 265 |
| 36" | Delmar Series | Adjustable 2" Outlet | Base Kit (grate not included) | Polished | 33.B600.36 PS | 153-158 | \$ 315 |
| 36" | Delmar Series | Adjustable 3" HF Outlet | Base Kit (grate not included) | Polished | 33.B600.36HF PS | 153-158 | \$ 380 |
| 36" | Delmar Series | Standard Length Plain | Delta | Polished | 33.300.36 PS | 42 | \$ 480 |
| 36" | Delmar Series | Standard Length Flange Edge | Delta | Polished | 33.300.36F PS | 42 | \$ 595 |
| 36" | Delmar Series | Standard Length Side Outlet Flange Edge | Delta | Polished | 33.300.36FSO PS | 42 | \$ 660 |
| 36" | Delmar Series | Adjustable 2" Outlet | Mist (Tile-In) | Polished | 33.630.36 PS | 35 | \$ 695 |
| 36" | Delmar Series | Adjustable 3" HF Outlet | Mist (Tile-In) | Polished | 33.630.36HF PS | 35 | \$ 745 |
| 36" | Delmar Series | Adjustable 2" Outlet | Perforated | Polished | 33.620.36 PS | 33 | \$ 515 |
| 36" | Delmar Series | Adjustable 3" HF Outlet | Perforated | Polished | 33.620.36HF PS | 33 | \$ 580 |
| 36" | Delmar Series | Standard Length Plain | Wedgewire | Polished | 33.700.36 PS | 40 | \$ 985 |
| 36" | Delmar Series | Standard Length Flange Edge | Wedgewire | Polished | 33.700.36F PS | 40 | \$ 1,100 |
| 36" | Delmar Series | Standard Length Side Outlet Flange Edge | Wedgewire | Polished | 33.700.36FSO PS | 40 | \$ 1,165 |
| 36" | Delmar Series | Adjustable 2" Outlet | Wedgewire | Polished | 33.610.36 PS | 31 | \$ 940 |
| 36" | Delmar Series | Adjustable 3" HF Outlet | Wedgewire | Polished | 33.610.36HF PS | 31 | \$ 1,095 |
| 36" | Lagos Series | Adjustable 2" Outlet | Base Kit (grate not included) | Polished | 88.B600.36 PS | 153-158 | \$ 165 |
| 36" | Lagos Series | Adjustable 3" HF Outlet | Base Kit (grate not included) | Polished | 88.B600.36HF PS | 153-158 | \$ 230 |
| 36" | Lagos Series | Adjustable 2" Outlet | Mist (Tile-In) | Polished | 88.630.36 PS | 77 | \$ 515 |
| 36" | Lagos Series | Adjustable 3" HF Outlet | Mist (Tile-In) | Polished | 88.630.36HF PS | 77 | \$ 580 |
| 36" | Lagos Series | Adjustable 2" Outlet | Perforated | Polished | 88.620.36 PS | 75 | \$ 350 |
| 36" | Lagos Series | Adjustable 3" HF Outlet | Perforated | Polished | 88.620.36HF PS | 75 | \$ 415 |
| 36" | Lagos Series | Adjustable 2" Outlet | Wedgewire | Polished | 88.610.36 PS | 73 | \$ 865 |
| 36" | Lagos Series | Adjustable 3" HF Outlet | Wedgewire | Polished | 88.610.36HF PS | 73 | \$ 930 |
| 4" x 4" | Bay Series | Square | Ria | Polished | 38.100.04 PS | 97 | \$ 26 |
| 4" x 4" | Delmar Series | Square | Delta | Polished | 33.300.04 PS | 59 | \$ 155 |
| 4" x 4" | Lagos Series | Square | Mira | Polished | 88.100.04 PS | 87 | \$ 55 |
| 4" x 4" | Lagos Series | Square | Veil | Polished | 88.300.04 PS | 89 | \$ 65 |
| 40" | Delmar Series | Supreme | Supreme | Polished | 33.800.40 PS | 21 | \$ 875 |
| 48" | Delmar Series | Adjustable 2" Outlet | Base Kit (grate not included) | Polished | 33.B600.48 PS | 153-158 | \$ 385 |
| 48" | Delmar Series | Adjustable 3" HF Outlet | Base Kit (grate not included) | Polished | 33.B600.48HF PS | 153-158 | \$ 450 |
| 48" | Delmar Series | Standard Length Plain | Delta | Polished | 33.300.48 PS | 42 | \$ 610 |
| 48" | Delmar Series | Standard Length Flange Edge | Delta | Polished | 33.300.48F PS | 42 | \$ 750 |
| 48" | Delmar Series | Standard Length Side Outlet Flange Edge | Delta | Polished | 33.300.48FSO PS | 42 | \$ 810 |
| 48" | Delmar Series | Adjustable 2" Outlet | Mist (Tile-In) | Polished | 33.630.48 PS | 35 | \$ 880 |
| 48" | Delmar Series | Adjustable 3" HF Outlet | Mist (Tile-In) | Polished | 33.630.48HF PS | 35 | \$ 930 |
| 48" | Delmar Series | Adjustable 2" Outlet | Perforated | Polished | 33.620.48 PS | 33 | \$ 640 |
| 48" | Delmar Series | Adjustable 3" HF Outlet | Perforated | Polished | 33.620.48HF PS | 33 | \$ 705 |
| 48" | Delmar Series | Standard Length Plain | Wedgewire | Polished | 33.700.48 PS | 40 | \$ 1,310 |
| 48" | Delmar Series | Standard Length Flange Edge | Wedgewire | Polished | 33.700.48F PS | 40 | \$ 1,450 |
| 48" | Delmar Series | Standard Length Side Outlet Flange Edge | Wedgewire | Polished | 33.700.48FSO PS | 40 | \$ 1,510 |
| 48" | Delmar Series | Adjustable 2" Outlet | Wedgewire | Polished | 33.610.48 PS | 31 | \$ 1,345 |
| 48" | Delmar Series | Adjustable 3" HF Outlet | Wedgewire | Polished | 33.610.48HF PS | 31 | \$ 1,410 |
| 48" | Lagos Series | Adjustable 2" Outlet | Base Kit (grate not included) | Polished | 88.B600.48 PS | 153-158 | \$ 200 |
| 48" | Lagos Series | Adjustable 3" HF Outlet | Base Kit (grate not included) | Polished | 88.B600.48HF PS | 153-158 | \$ 265 |
| 48" | Lagos Series | Adjustable 2" Outlet | Mist (Tile-In) | Polished | 88.630.48 PS | 77 | \$ 665 |
| 48" | Lagos Series | Adjustable 3" HF Outlet | Mist (Tile-In) | Polished | 88.630.48HF PS | 77 | \$ 730 |
| 48" | Lagos Series | Adjustable 2" Outlet | Perforated | Polished | 88.620.48 PS | 75 | \$ 440 |
| 48" | Lagos Series | Adjustable 3" HF Outlet | Perforated | Polished | 88.620.48HF PS | 75 | \$ 505 |
| 48" | Lagos Series | Adjustable 2" Outlet | Wedgewire | Polished | 88.610.48 PS | 73 | \$ 1,145 |
| 48" | Lagos Series | Adjustable 3" HF Outlet | Wedgewire | Polished | 88.610.48HF PS | 73 | \$ 1,210 |



Price Index by Finish

| Size | Series | Type | Line | Finish | SKU | Catalog page | MSRP |
|-----------------|---------------|---|-------------------------------|----------|-----------------|--------------|----------|
| 50" | Delmar Series | Supreme | Supreme | Polished | 33.800.50 PS | 21 | \$ 955 |
| 5 3/4" x 5 3/4" | Bay Series | Square | Ria | Polished | 38.100.06 PS | 97 | \$ 36 |
| 5 3/4" x 5 3/4" | Delmar Series | Square | Delta | Polished | 33.300.06 PS | 59 | \$ 195 |
| 5 3/4" x 5 3/4" | Lagos Series | Square | Mira | Polished | 88.100.06 PS | 87 | \$ 95 |
| 5 3/4" x 5 3/4" | Lagos Series | Square | Veil | Polished | 88.300.06 PS | 89 | \$ 75 |
| 58" | Delmar Series | Standard Length Plain | Delta | Polished | 33.300.58 PS | 42 | \$ 675 |
| 58" | Delmar Series | Standard Length Flange Edge | Delta | Polished | 33.300.58F PS | 42 | \$ 870 |
| 58" | Delmar Series | Standard Length Side Outlet Flange Edge | Delta | Polished | 33.300.58FSO PS | 42 | \$ 945 |
| 58" | Delmar Series | Standard Length Plain | Wedgewire | Polished | 33.700.58 PS | 40 | \$ 1,485 |
| 58" | Delmar Series | Standard Length Flange Edge | Wedgewire | Polished | 33.700.58F PS | 40 | \$ 1,680 |
| 58" | Delmar Series | Standard Length Side Outlet Flange Edge | Wedgewire | Polished | 33.700.58FSO PS | 40 | \$ 1,755 |
| 60" | Delmar Series | Supreme | Supreme | Polished | 33.800.60 PS | 21 | \$ 1,045 |
| 60" | Delmar Series | Adjustable 2" Outlet | Base Kit (grate not included) | Polished | 33.B600.60 PS | 153-158 | \$ 460 |
| 60" | Delmar Series | Adjustable 3" HF Outlet | Base Kit (grate not included) | Polished | 33.B600.60HF PS | 153-158 | \$ 525 |
| 60" | Delmar Series | Adjustable 2" Outlet | Mist (Tile-In) | Polished | 33.630.60 PS | 35 | \$ 1,040 |
| 60" | Delmar Series | Adjustable 3" HF Outlet | Mist (Tile-In) | Polished | 33.630.60HF PS | 35 | \$ 1,090 |
| 60" | Delmar Series | Adjustable 2" Outlet | Perforated | Polished | 33.620.60 PS | 33 | \$ 765 |
| 60" | Delmar Series | Adjustable 3" HF Outlet | Perforated | Polished | 33.620.60HF PS | 33 | \$ 830 |
| 60" | Delmar Series | Adjustable 2" Outlet | Wedgewire | Polished | 33.610.60 PS | 31 | \$ 1,595 |
| 60" | Delmar Series | Adjustable 3" HF Outlet | Wedgewire | Polished | 33.610.60HF PS | 31 | \$ 1,660 |
| 60" | Lagos Series | Adjustable 2" Outlet | Base Kit (grate not included) | Polished | 88.B600.60 PS | 153-158 | \$ 230 |
| 60" | Lagos Series | Adjustable 3" HF Outlet | Base Kit (grate not included) | Polished | 88.B600.60HF PS | 153-158 | \$ 295 |
| 60" | Lagos Series | Adjustable 2" Outlet | Mist (Tile-In) | Polished | 88.630.60 PS | 77 | \$ 780 |
| 60" | Lagos Series | Adjustable 3" HF Outlet | Mist (Tile-In) | Polished | 88.630.60HF PS | 77 | \$ 845 |
| 60" | Lagos Series | Adjustable 2" Outlet | Perforated | Polished | 88.620.60 PS | 75 | \$ 520 |
| 60" | Lagos Series | Adjustable 3" HF Outlet | Perforated | Polished | 88.620.60HF PS | 75 | \$ 585 |
| 60" | Lagos Series | Adjustable 2" Outlet | Wedgewire | Polished | 88.610.60 PS | 73 | \$ 1,350 |
| 60" | Lagos Series | Adjustable 3" HF Outlet | Wedgewire | Polished | 88.610.60HF PS | 73 | \$ 1,415 |
| 72" | Delmar Series | Adjustable 2" Outlet | Base Kit (grate not included) | Polished | 33.B600.72 PS | 153-158 | \$ 525 |
| 72" | Delmar Series | Adjustable 3" HF Outlet | Base Kit (grate not included) | Polished | 33.B600.72HF PS | 153-158 | \$ 590 |
| 72" | Delmar Series | Adjustable 2" Outlet | Mist (Tile-In) | Polished | 33.630.72 PS | 35 | \$ 1,460 |
| 72" | Delmar Series | Adjustable 3" HF Outlet | Mist (Tile-In) | Polished | 33.630.72HF PS | 35 | \$ 1,560 |
| 72" | Delmar Series | Adjustable 2" Outlet | Perforated | Polished | 33.620.72 PS | 33 | \$ 1,175 |
| 72" | Delmar Series | Adjustable 3" HF Outlet | Perforated | Polished | 33.620.72HF PS | 33 | \$ 1,240 |
| 72" | Delmar Series | Adjustable 2" Outlet | Wedgewire | Polished | 33.610.72 PS | 31 | \$ 1,925 |
| 72" | Delmar Series | Adjustable 3" HF Outlet | Wedgewire | Polished | 33.610.72HF PS | 31 | \$ 2,055 |
| 72" | Lagos Series | Adjustable 2" Outlet | Base Kit (grate not included) | Polished | 88.B600.72 PS | 153-158 | \$ 265 |
| 72" | Lagos Series | Adjustable 3" HF Outlet | Base Kit (grate not included) | Polished | 88.B600.72HF PS | 153-158 | \$ 330 |
| 72" | Lagos Series | Adjustable 2" Outlet | Mist (Tile-In) | Polished | 88.630.72 PS | 77 | \$ 1,140 |
| 72" | Lagos Series | Adjustable 3" HF Outlet | Mist (Tile-In) | Polished | 88.630.72HF PS | 77 | \$ 1,205 |
| 72" | Lagos Series | Adjustable 2" Outlet | Perforated | Polished | 88.620.72 PS | 75 | \$ 820 |
| 72" | Lagos Series | Adjustable 3" HF Outlet | Perforated | Polished | 88.620.72HF PS | 75 | \$ 885 |
| 72" | Lagos Series | Adjustable 2" Outlet | Wedgewire | Polished | 88.610.72 PS | 73 | \$ 1,635 |
| 72" | Lagos Series | Adjustable 3" HF Outlet | Wedgewire | Polished | 88.610.72HF PS | 73 | \$ 1,700 |
| 96" | Delmar Series | Adjustable 2" Outlet | Base Kit (grate not included) | Polished | 33.B600.96 PS | 153-158 | \$ 670 |
| 96" | Delmar Series | Adjustable 3" HF Outlet | Base Kit (grate not included) | Polished | 33.B600.96HF PS | 153-158 | \$ 735 |
| 96" | Delmar Series | Adjustable 2" Outlet | Mist (Tile-In) | Polished | 33.630.96 PS | 35 | \$ 1,660 |
| 96" | Delmar Series | Adjustable 3" HF Outlet | Mist (Tile-In) | Polished | 33.630.96HF PS | 35 | \$ 1,760 |
| 96" | Delmar Series | Adjustable 2" Outlet | Perforated | Polished | 33.620.96 PS | 33 | \$ 1,360 |
| 96" | Delmar Series | Adjustable 3" HF Outlet | Perforated | Polished | 33.620.96HF PS | 33 | \$ 1,425 |
| 96" | Delmar Series | Adjustable 2" Outlet | Wedgewire | Polished | 33.610.96 PS | 31 | \$ 2,655 |
| 96" | Delmar Series | Adjustable 3" HF Outlet | Wedgewire | Polished | 33.610.96HF PS | 31 | \$ 2,785 |
| 96" | Lagos Series | Adjustable 3" HF Outlet | Base Kit (grate not included) | Polished | 88.B600.96HF PS | 153-158 | \$ 395 |
| 96" | Lagos Series | Adjustable 2" Outlet | Mist (Tile-In) | Polished | 88.630.96 PS | 77 | \$ 1,260 |
| 96" | Lagos Series | Adjustable 3" HF Outlet | Mist (Tile-In) | Polished | 88.630.96HF PS | 77 | \$ 1,325 |
| 96" | Lagos Series | Adjustable 2" Outlet | Perforated | Polished | 88.620.96 PS | 75 | \$ 925 |
| 96" | Lagos Series | Adjustable 3" HF Outlet | Perforated | Polished | 88.620.96HF PS | 75 | \$ 990 |
| 96" | Lagos Series | Adjustable 2" Outlet | Wedgewire | Polished | 88.610.96 PS | 73 | \$ 2,285 |
| 96" | Lagos Series | Adjustable 3" HF Outlet | Wedgewire | Polished | 88.610.96HF PS | 73 | \$ 2,350 |

Parts, Trims and Accessories

Satin SS

| | | | | | | | |
|-----|---------------|-----------------------------|----------------------------------|-------|----------------|---------|--------|
| | Delmar Series | Adjustable | Parts: Accessories Kit | Satin | 33.601.2OUT | 153-158 | \$ 65 |
| | Delmar Series | Adjustable | Parts: Accessories Kit | Satin | 33.601.3HF | 153-158 | \$ 130 |
| | Delmar Series | Adjustable | Parts: Accessories Kit | Satin | 33.601.COOR | 153-158 | \$ 90 |
| | Lagos Series | Adjustable | Parts: Accessories Kit | Satin | 88.601.2OUT | 153-158 | \$ 50 |
| | Lagos Series | Adjustable | Parts: Accessories Kit | Satin | 88.601.3HF | 153-158 | \$ 70 |
| 12" | Lagos Series | Adjustable | Parts: Accessories Kit | Satin | 88.601.COOR | 153-158 | \$ 40 |
| 24" | Delmar Series | Standard Length | Parts: Delta Grate | Satin | 33.G300.24 ST | 153-158 | \$ 145 |
| 24" | Delmar Series | Standard Length Flange Edge | Parts: Flange Edge Channel | Satin | 33.24F ST | 153-158 | \$ 300 |
| 24" | Delmar Series | Side Outlet Flange Edge | Parts: Flange Edge Side Outlet C | Satin | 33.24FSO ST | 153-158 | \$ 350 |
| 24" | Delmar Series | Standard Length | Parts: Kai Grate | Satin | 33.G200.24 ST | 153-158 | \$ 145 |
| 24" | Delmar Series | Standard Length | Parts: Mist (Tile-In) Grate | Satin | 33.G500.24 ST | 153-158 | \$ 255 |
| 24" | Delmar Series | Standard Length | Parts: Mist (Tile-In) Grate | Satin | 33.G500.24F ST | 153-158 | \$ 140 |
| 24" | Delmar Series | Standard Length | Parts: Nami Grate | Satin | 33.G100.24 ST | 153-158 | \$ 145 |
| 24" | Delmar Series | Standard Length | Parts: Plain Edge Channel | Satin | 33.24 ST | 153-158 | \$ 210 |
| 24" | Delmar Series | Standard Length | Parts: Wedgewire Grate | Satin | 33.G700.24 ST | 153-158 | \$ 440 |
| 28" | Delmar Series | Standard Length | Parts: Delta Grate | Satin | 33.G300.28 ST | 153-158 | \$ 160 |
| 28" | Delmar Series | Standard Length Flange Edge | Parts: Flange Edge Channel | Satin | 33.28F ST | 153-158 | \$ 325 |
| 28" | Delmar Series | Side Outlet Flange Edge | Parts: Flange Edge Side Outlet C | Satin | 33.28FSO ST | 153-158 | \$ 380 |
| 28" | Delmar Series | Standard Length | Parts: Kai Grate | Satin | 33.G200.28 ST | 153-158 | \$ 160 |
| 28" | Delmar Series | Standard Length | Parts: Mist (Tile-In) Grate | Satin | 33.G500.28 ST | 153-158 | \$ 270 |
| 28" | Delmar Series | Standard Length | Parts: Mist (Tile-In) Grate | Satin | 33.G500.28F ST | 153-158 | \$ 160 |



Price Index by Finish

| Size | Series | Type | Line | Finish | SKU | Catalog page | MSRP |
|------|---------------|-----------------------------|--|--------|----------------|--------------|----------|
| 28" | Delmar Series | Standard Length | Parts: Nami Grate | Satin | 33.G100.28 ST | 153-158 | \$ 165 |
| 28" | Delmar Series | Standard Length | Parts: Plain Edge Channel | Satin | 33.28 ST | 153-158 | \$ 225 |
| 28" | Delmar Series | Standard Length | Parts: Wedgewire Grate | Satin | 33.G700.28 ST | 153-158 | \$ 480 |
| 32" | Delmar Series | Standard Length | Parts: Delta Grate | Satin | 33.G300.32 ST | 153-158 | \$ 175 |
| 32" | Delmar Series | Standard Length Flange Edge | Parts: Flange Edge Channel | Satin | 33.32F ST | 153-158 | \$ 365 |
| 32" | Delmar Series | Side Outlet Flange Edge | Parts: Flange Edge Side Outlet Channel | Satin | 33.32FSO ST | 153-158 | \$ 415 |
| 32" | Delmar Series | Standard Length | Parts: Kai Grate | Satin | 33.G200.32 ST | 153-158 | \$ 175 |
| 32" | Delmar Series | Standard Length | Parts: Mist (Tile-In) Grate | Satin | 33.G500.32 ST | 153-158 | \$ 275 |
| 32" | Delmar Series | Standard Length | Parts: Mist (Tile-In) Grate | Satin | 33.G500.32F ST | 153-158 | \$ 180 |
| 32" | Delmar Series | Standard Length | Parts: Nami Grate | Satin | 33.G100.32 ST | 153-158 | \$ 175 |
| 32" | Delmar Series | Standard Length | Parts: Plain Edge Channel | Satin | 33.32 ST | 153-158 | \$ 250 |
| 32" | Delmar Series | Standard Length | Parts: Wedgewire Grate | Satin | 33.G700.32 ST | 153-158 | \$ 525 |
| 36" | Delmar Series | Adjustable | Parts: Channel Only | Satin | 33.600.28 ST | 153-158 | \$ 205 |
| 36" | Delmar Series | Standard Length | Parts: Delta Grate | Satin | 33.G300.36 ST | 153-158 | \$ 190 |
| 36" | Delmar Series | Standard Length Flange Edge | Parts: Flange Edge Channel | Satin | 33.36F ST | 153-158 | \$ 385 |
| 36" | Delmar Series | Side Outlet Flange Edge | Parts: Flange Edge Side Outlet Channel | Satin | 33.36FSO ST | 153-158 | \$ 450 |
| 36" | Delmar Series | Standard Length | Parts: Kai Grate | Satin | 33.G200.36 ST | 153-158 | \$ 190 |
| 36" | Delmar Series | Standard Length | Parts: Mist (Tile-In) Grate | Satin | 33.G500.36 ST | 153-158 | \$ 295 |
| 36" | Delmar Series | Standard Length | Parts: Mist (Tile-In) Grate | Satin | 33.G500.36F ST | 153-158 | \$ 195 |
| 36" | Delmar Series | Adjustable | Parts: Mist (Tile-In) Grate | Satin | 33.G630.36 ST | 153-158 | \$ 365 |
| 36" | Delmar Series | Standard Length | Parts: Nami Grate | Satin | 33.G100.36 ST | 153-158 | \$ 190 |
| 36" | Delmar Series | Adjustable | Parts: Perforated Grate | Satin | 33.G620.36 ST | 153-158 | \$ 190 |
| 36" | Delmar Series | Standard Length | Parts: Plain Edge Channel | Satin | 33.36 ST | 153-158 | \$ 270 |
| 36" | Delmar Series | Adjustable | Parts: Trims | Satin | 33.601.36 ST | 153-158 | \$ 45 |
| 36" | Delmar Series | Standard Length | Parts: Wedgewire Grate | Satin | 33.G700.36 ST | 153-158 | \$ 570 |
| 36" | Delmar Series | Adjustable | Parts: Wedgewire Grate | Satin | 33.G610.36 ST | 153-158 | \$ 570 |
| 36" | Lagos Series | Adjustable | Parts: Channel Only | Satin | 88.600.36 | 153-158 | \$ 55 |
| 48" | Delmar Series | Adjustable | Parts: Channel Only | Satin | 33.600.40 ST | 153-158 | \$ 260 |
| 48" | Delmar Series | Standard Length | Parts: Delta Grate | Satin | 33.G300.48 ST | 153-158 | \$ 235 |
| 48" | Delmar Series | Standard Length Flange Edge | Parts: Flange Edge Channel | Satin | 33.48F ST | 153-158 | \$ 490 |
| 48" | Delmar Series | Side Outlet Flange Edge | Parts: Flange Edge Side Outlet Channel | Satin | 33.48FSO ST | 153-158 | \$ 550 |
| 48" | Delmar Series | Standard Length | Parts: Mist (Tile-In) Grate | Satin | 33.G500.48 ST | 153-158 | \$ 345 |
| 48" | Delmar Series | Standard Length | Parts: Mist (Tile-In) Grate | Satin | 33.G500.48F ST | 153-158 | \$ 255 |
| 48" | Delmar Series | Adjustable | Parts: Mist (Tile-In) Grate | Satin | 33.G630.48 ST | 153-158 | \$ 480 |
| 48" | Delmar Series | Adjustable | Parts: Perforated Grate | Satin | 33.G620.48 ST | 153-158 | \$ 250 |
| 48" | Delmar Series | Standard Length | Parts: Plain Edge Channel | Satin | 33.48 ST | 153-158 | \$ 350 |
| 48" | Delmar Series | Adjustable | Parts: Trims | Satin | 33.601.48 ST | 153-158 | \$ 60 |
| 48" | Delmar Series | Standard Length | Parts: Wedgewire Grate | Satin | 33.G700.48 ST | 153-158 | \$ 700 |
| 48" | Delmar Series | Adjustable | Parts: Wedgewire Grate | Satin | 33.G610.48 ST | 153-158 | \$ 700 |
| 48" | Lagos Series | Adjustable | Parts: Channel Only | Satin | 88.600.48 | 153-158 | \$ 75 |
| 58" | Delmar Series | Standard Length | Parts: Delta Grate | Satin | 33.G300.58 ST | 153-158 | \$ 270 |
| 58" | Delmar Series | Standard Length Flange Edge | Parts: Flange Edge Channel | Satin | 33.58F ST | 153-158 | \$ 575 |
| 58" | Delmar Series | Side Outlet Flange Edge | Parts: Flange Edge Side Outlet Channel | Satin | 33.58FSO ST | 153-158 | \$ 650 |
| 58" | Delmar Series | Standard Length | Parts: Mist (Tile-In) Grate | Satin | 33.G500.58 ST | 153-158 | \$ 445 |
| 58" | Delmar Series | Standard Length | Parts: Mist (Tile-In) Grate | Satin | 33.G500.58F ST | 153-158 | \$ 305 |
| 58" | Delmar Series | Standard Length | Parts: Plain Edge Channel | Satin | 33.58 ST | 153-158 | \$ 380 |
| 58" | Delmar Series | Standard Length | Parts: Wedgewire Grate | Satin | 33.G700.58 ST | 153-158 | \$ 815 |
| 60" | Delmar Series | Adjustable | Parts: Channel Only | Satin | 33.600.52 ST | 153-158 | \$ 320 |
| 60" | Delmar Series | Adjustable | Parts: Mist (Tile-In) Grate | Satin | 33.G630.60 ST | 153-158 | \$ 565 |
| 60" | Delmar Series | Adjustable | Parts: Perforated Grate | Satin | 33.G620.60 ST | 153-158 | \$ 290 |
| 60" | Delmar Series | Adjustable | Parts: Trims | Satin | 33.601.60 ST | 153-158 | \$ 75 |
| 60" | Delmar Series | Adjustable | Parts: Wedgewire Grate | Satin | 33.G610.60 ST | 153-158 | \$ 845 |
| 60" | Lagos Series | Adjustable | Parts: Channel Only | Satin | 88.600.60 | 153-158 | \$ 90 |
| 72" | Delmar Series | Adjustable | Parts: Channel Only | Satin | 33.600.64 ST | 153-158 | \$ 370 |
| 72" | Delmar Series | Adjustable | Parts: Mist (Tile-In) Grate | Satin | 33.G630.72 ST | 153-158 | \$ 840 |
| 72" | Delmar Series | Adjustable | Parts: Perforated Grate | Satin | 33.G620.72 ST | 153-158 | \$ 345 |
| 72" | Delmar Series | Adjustable | Parts: Trims | Satin | 33.601.72 ST | 153-158 | \$ 90 |
| 72" | Delmar Series | Adjustable | Parts: Wedgewire Grate | Satin | 33.G610.72 ST | 153-158 | \$ 975 |
| 72" | Lagos Series | Adjustable | Parts: Channel Only | Satin | 88.600.72 | 153-158 | \$ 110 |
| 96" | Delmar Series | Adjustable | Parts: Channel Only | Satin | 33.600.88 ST | 153-158 | \$ 485 |
| 96" | Delmar Series | Adjustable | Parts: Mist (Tile-In) Grate | Satin | 33.G630.96 ST | 153-158 | \$ 895 |
| 96" | Delmar Series | Adjustable | Parts: Perforated Grate | Satin | 33.G620.96 ST | 153-158 | \$ 485 |
| 96" | Delmar Series | Adjustable | Parts: Trims | Satin | 33.601.96 ST | 153-158 | \$ 120 |
| 96" | Delmar Series | Adjustable | Parts: Wedgewire Grate | Satin | 33.G610.96 ST | 153-158 | \$ 1,395 |
| 96" | Lagos Series | Adjustable | Parts: Channel Only | Satin | 88.600.96 | 153-158 | \$ 145 |

Matte Black

| | | | | | | | |
|-------|---------------|-----------------|-----------------------------|-------|---------------|---------|----------|
| 24" | Delmar Series | Standard Length | Parts: Lotus Grate | Black | 33.G400.24 BK | 153-158 | \$ 200 |
| 24" | Delmar Series | Standard Length | Parts: Mist (Tile-In) Grate | Black | 33.G500.24 BK | 153-158 | \$ 300 |
| 24" | Delmar Series | Standard Length | Parts: Plain Edge Channel | Black | 33.24 BK | 153-158 | \$ 265 |
| 24" | Delmar Series | Standard Length | Parts: Wedgewire Grate | Black | 33.G700.24 BK | 153-158 | \$ 525 |
| 28" | Delmar Series | Standard Length | Parts: Lotus Grate | Black | 33.G400.28 BK | 153-158 | \$ 235 |
| 28" | Delmar Series | Standard Length | Parts: Mist (Tile-In) Grate | Black | 33.G500.28 BK | 153-158 | \$ 315 |
| 28" | Delmar Series | Standard Length | Parts: Plain Edge Channel | Black | 33.28 BK | 153-158 | \$ 280 |
| 28" | Delmar Series | Standard Length | Parts: Wedgewire Grate | Black | 33.G700.28 BK | 153-158 | \$ 585 |
| 2x36" | Delmar Series | Adjustable | Parts: Trims | Black | 33.601.72 BK | 153-158 | \$ 560 |
| 2x36" | Delmar Series | Adjustable | Parts: Wedgewire Grate | Black | 33.G610.72 BK | 153-158 | \$ 1,300 |
| 2x48" | Delmar Series | Adjustable | Parts: Trims | Black | 33.601.96 BK | 153-158 | \$ 500 |
| 2x48" | Delmar Series | Adjustable | Parts: Wedgewire Grate | Black | 33.G610.96 BK | 153-158 | \$ 1,585 |
| 32" | Delmar Series | Standard Length | Parts: Lotus Grate | Black | 33.G400.32 BK | 153-158 | \$ 250 |
| 32" | Delmar Series | Standard Length | Parts: Mist (Tile-In) Grate | Black | 33.G500.32 BK | 153-158 | \$ 320 |
| 32" | Delmar Series | Standard Length | Parts: Plain Edge Channel | Black | 33.32 BK | 153-158 | \$ 310 |
| 32" | Delmar Series | Standard Length | Parts: Wedgewire Grate | Black | 33.G700.32 BK | 153-158 | \$ 655 |
| 36" | Delmar Series | Standard Length | Parts: Lotus Grate | Black | 33.G400.36 BK | 153-158 | \$ 275 |



Price Index by Finish

| Size | Series | Type | Line | Finish | SKU | Catalog page | MSRP |
|-------------------|---------------|-----------------|-----------------------------|----------|---------------|--------------|----------|
| 36" | Delmar Series | Standard Length | Parts: Mist (Tile-In) Grate | Black | 33.G500.36 BK | 153-158 | \$ 335 |
| 36" | Delmar Series | Standard Length | Parts: Plain Edge Channel | Black | 33.36 BK | 153-158 | \$ 330 |
| 36" | Delmar Series | Adjustable | Parts: Trims | Black | 33.601.36 BK | 153-158 | \$ 120 |
| 36" | Delmar Series | Standard Length | Parts: Wedgewire Grate | Black | 33.G700.36 BK | 153-158 | \$ 715 |
| 36" | Delmar Series | Adjustable | Parts: Wedgewire Grate | Black | 33.G610.36 BK | 153-158 | \$ 650 |
| 48" | Delmar Series | Standard Length | Parts: Lotus Grate | Black | 33.G400.48 BK | 153-158 | \$ 360 |
| 48" | Delmar Series | Standard Length | Parts: Mist (Tile-In) Grate | Black | 33.G500.48 BK | 153-158 | \$ 410 |
| 48" | Delmar Series | Standard Length | Parts: Plain Edge Channel | Black | 33.48 BK | 153-158 | \$ 385 |
| 48" | Delmar Series | Adjustable | Parts: Trims | Black | 33.601.48 BK | 153-158 | \$ 145 |
| 48" | Delmar Series | Standard Length | Parts: Wedgewire Grate | Black | 33.G700.48 BK | 153-158 | \$ 960 |
| 48" | Delmar Series | Adjustable | Parts: Wedgewire Grate | Black | 33.G610.48 BK | 153-158 | \$ 795 |
| 58" | Delmar Series | Standard Length | Parts: Lotus Grate | Black | 33.G400.58 BZ | 153-158 | \$ 425 |
| 58" | Delmar Series | Standard Length | Parts: Mist (Tile-In) Grate | Black | 33.G500.58 BK | 153-158 | \$ 490 |
| 58" | Delmar Series | Standard Length | Parts: Plain Edge Channel | Black | 33.58 BK | 153-158 | \$ 440 |
| 58" | Delmar Series | Standard Length | Parts: Wedgewire Grate | Black | 33.G700.58 BK | 153-158 | \$ 1,105 |
| 60" | Delmar Series | Adjustable | Parts: Trims | Black | 33.601.60 BK | 153-158 | \$ 175 |
| 60" | Delmar Series | Adjustable | Parts: Wedgewire Grate | Black | 33.G610.60 BK | 153-158 | \$ 960 |
| Bronze | | | | | | | |
| 24" | Delmar Series | Standard Length | Parts: Lotus Grate | Bronze | 33.G400.24 BZ | 153-158 | \$ 200 |
| 24" | Delmar Series | Standard Length | Parts: Plain Edge Channel | Bronze | 33.24 BZ | 153-158 | \$ 265 |
| 28" | Delmar Series | Standard Length | Parts: Lotus Grate | Bronze | 33.G400.28 BZ | 153-158 | \$ 235 |
| 28" | Delmar Series | Standard Length | Parts: Plain Edge Channel | Bronze | 33.28 BZ | 153-158 | \$ 280 |
| 32" | Delmar Series | Standard Length | Parts: Lotus Grate | Bronze | 33.G400.32 BZ | 153-158 | \$ 250 |
| 32" | Delmar Series | Standard Length | Parts: Plain Edge Channel | Bronze | 33.32 BZ | 153-158 | \$ 305 |
| 36" | Delmar Series | Standard Length | Parts: Lotus Grate | Bronze | 33.G400.36 BZ | 153-158 | \$ 275 |
| 36" | Delmar Series | Standard Length | Parts: Plain Edge Channel | Bronze | 33.36 BZ | 153-158 | \$ 330 |
| 48" | Delmar Series | Standard Length | Parts: Lotus Grate | Bronze | 33.G400.48 BZ | 153-158 | \$ 360 |
| 48" | Delmar Series | Standard Length | Parts: Plain Edge Channel | Bronze | 33.48 BZ | 153-158 | \$ 385 |
| 58" | Delmar Series | Standard Length | Parts: Lotus Grate | Bronze | 33.G400.58 BZ | 153-158 | \$ 425 |
| 58" | Delmar Series | Standard Length | Parts: Plain Edge Channel | Bronze | 33.58 BZ | 153-158 | \$ 440 |
| Satin Gold | | | | | | | |
| 24" | Delmar Series | Standard Length | Parts: Lotus Grate | Gold | 33.G400.24 GD | 153-158 | \$ 200 |
| 24" | Delmar Series | Standard Length | Parts: Plain Edge Channel | Gold | 33.24 GD | 153-158 | \$ 265 |
| 28" | Delmar Series | Standard Length | Parts: Lotus Grate | Gold | 33.G400.28 GD | 153-158 | \$ 235 |
| 28" | Delmar Series | Standard Length | Parts: Plain Edge Channel | Gold | 33.28 GD | 153-158 | \$ 280 |
| 32" | Delmar Series | Standard Length | Parts: Lotus Grate | Gold | 33.G400.32 GD | 153-158 | \$ 250 |
| 32" | Delmar Series | Standard Length | Parts: Plain Edge Channel | Gold | 33.32 GD | 153-158 | \$ 305 |
| 36" | Delmar Series | Standard Length | Parts: Lotus Grate | Gold | 33.G400.36 GD | 153-158 | \$ 275 |
| 36" | Delmar Series | Standard Length | Parts: Plain Edge Channel | Gold | 33.36 GD | 153-158 | \$ 325 |
| 48" | Delmar Series | Standard Length | Parts: Lotus Grate | Gold | 33.G400.48 GD | 153-158 | \$ 360 |
| 48" | Delmar Series | Standard Length | Parts: Plain Edge Channel | Gold | 33.48 GD | 153-158 | \$ 385 |
| 58" | Delmar Series | Standard Length | Parts: Lotus Grate | Gold | 33.G400.58 GD | 153-158 | \$ 425 |
| 58" | Delmar Series | Standard Length | Parts: Plain Edge Channel | Gold | 33.58 GD | 153-158 | \$ 440 |
| Polished | | | | | | | |
| 24" | Delmar Series | Standard Length | Parts: Delta Grate | Polished | 33.G300.24 PS | 153-158 | \$ 160 |
| 24" | Delmar Series | Standard Length | Parts: Wedgewire Grate | Polished | 33.G700.24 PS | 153-158 | \$ 525 |
| 28" | Delmar Series | Standard Length | Parts: Delta Grate | Polished | 33.G300.28 PS | 153-158 | \$ 175 |
| 28" | Delmar Series | Standard Length | Parts: Wedgewire Grate | Polished | 33.G700.28 PS | 153-158 | \$ 585 |
| 32" | Delmar Series | Standard Length | Parts: Delta Grate | Polished | 33.G300.32 PS | 153-158 | \$ 195 |
| 32" | Delmar Series | Standard Length | Parts: Wedgewire Grate | Polished | 33.G700.32 PS | 153-158 | \$ 655 |
| 36" | Delmar Series | Standard Length | Parts: Delta Grate | Polished | 33.G300.36 PS | 153-158 | \$ 210 |
| 36" | Delmar Series | Adjustable | Parts: Perforated Grate | Polished | 33.G620.36 PS | 153-158 | \$ 200 |
| 36" | Delmar Series | Adjustable | Parts: Trims | Polished | 33.601.36 PS | 153-158 | \$ 45 |
| 36" | Delmar Series | Standard Length | Parts: Wedgewire Grate | Polished | 33.G700.36 PS | 153-158 | \$ 715 |
| 36" | Delmar Series | Adjustable | Parts: Wedgewire Grate | Polished | 33.G610.36 PS | 153-158 | \$ 715 |
| 48" | Delmar Series | Standard Length | Parts: Delta Grate | Polished | 33.G300.48 PS | 153-158 | \$ 260 |
| 48" | Delmar Series | Adjustable | Parts: Perforated Grate | Polished | 33.G620.48 PS | 153-158 | \$ 255 |
| 48" | Delmar Series | Adjustable | Parts: Trims | Polished | 33.601.48 PS | 153-158 | \$ 60 |
| 48" | Delmar Series | Standard Length | Parts: Wedgewire Grate | Polished | 33.G700.48 PS | 153-158 | \$ 960 |
| 48" | Delmar Series | Adjustable | Parts: Wedgewire Grate | Polished | 33.G610.48 PS | 153-158 | \$ 960 |
| 58" | Delmar Series | Standard Length | Parts: Delta Grate | Polished | 33.G300.58 PS | 153-158 | \$ 295 |
| 58" | Delmar Series | Standard Length | Parts: Wedgewire Grate | Polished | 33.G700.58 PS | 153-158 | \$ 1,105 |
| 60" | Delmar Series | Adjustable | Parts: Perforated Grate | Polished | 33.G620.60 PS | 153-158 | \$ 305 |
| 60" | Delmar Series | Adjustable | Parts: Trims | Polished | 33.601.60 PS | 153-158 | \$ 75 |
| 60" | Delmar Series | Adjustable | Parts: Wedgewire Grate | Polished | 33.G610.60 PS | 153-158 | \$ 1,135 |
| 72" | Delmar Series | Adjustable | Parts: Perforated Grate | Polished | 33.G620.72 PS | 153-158 | \$ 520 |
| 72" | Delmar Series | Adjustable | Parts: Trims | Polished | 33.601.72 PS | 153-158 | \$ 90 |
| 72" | Delmar Series | Adjustable | Parts: Wedgewire Grate | Polished | 33.G610.72 PS | 153-158 | \$ 1,335 |
| 96" | Delmar Series | Adjustable | Parts: Perforated Grate | Polished | 33.G620.96 PS | 153-158 | \$ 560 |
| 96" | Delmar Series | Adjustable | Parts: Trims | Polished | 33.601.96 PS | 153-158 | \$ 120 |
| 96" | Delmar Series | Adjustable | Parts: Wedgewire Grate | Polished | 33.G610.96 PS | 153-158 | \$ 1,920 |



www.qmdrain.com

Contact us:

- Purchase Orders, Existing Order Inquiries: orders@qm-us.com
- Projects and Custom Fabrication Quote: orders@qm-us.com
- General Inquiries, Literature Requests: info@qm-us.com
- Returned Good Authorizations: orders@qm-us.com
- Terms and Conditions posted on QM's website: <http://qm-drain.com>

www.qmdrain.com



QM USA, Corp.

4100 N Powerline Road, Suite Z3
Pompano Beach, FL 33073, USA.

info@qm-us.com • Phone: (954) 773 9450

