

# 2019-nCoV IgG/IgM Rapid Test



Chromatographic immunoassay for the qualitative detection of IgG and IgM antibodies to 2019-nCoV (cat no. HS/1-363-K025)



Rapid results - 10 minutes



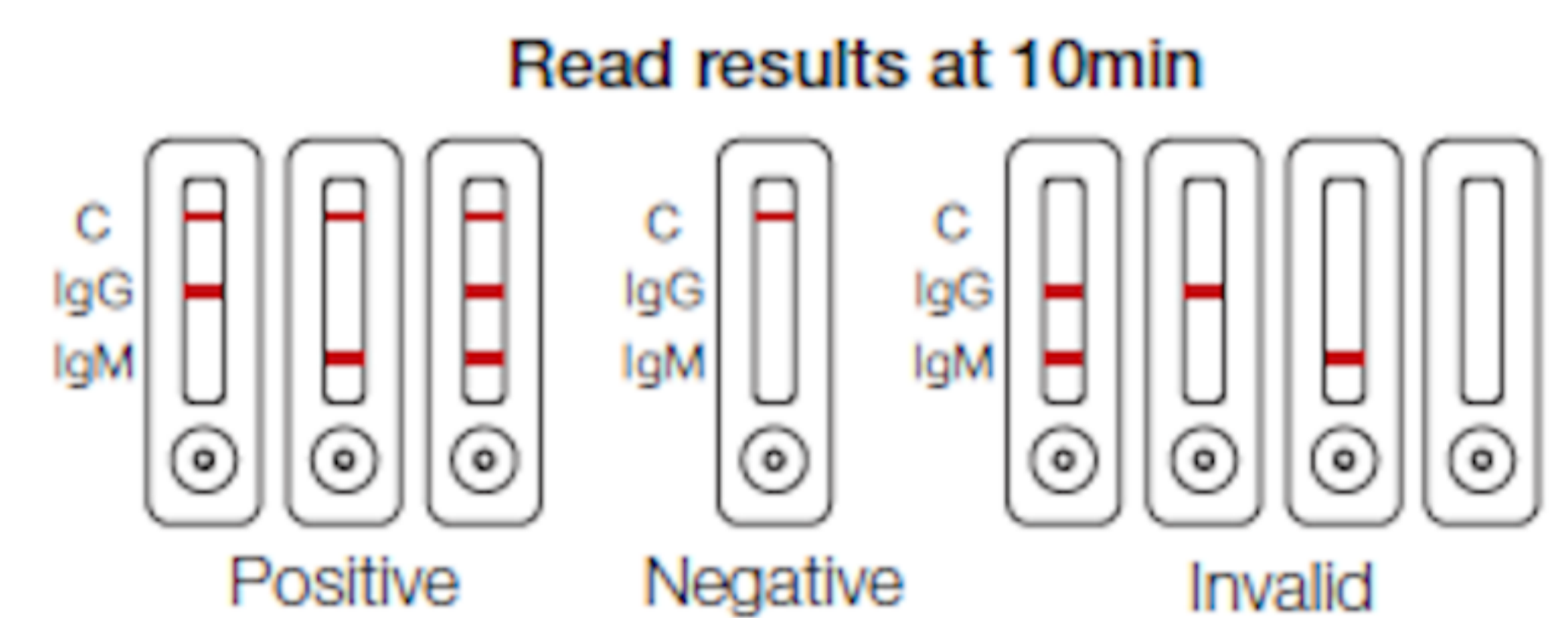
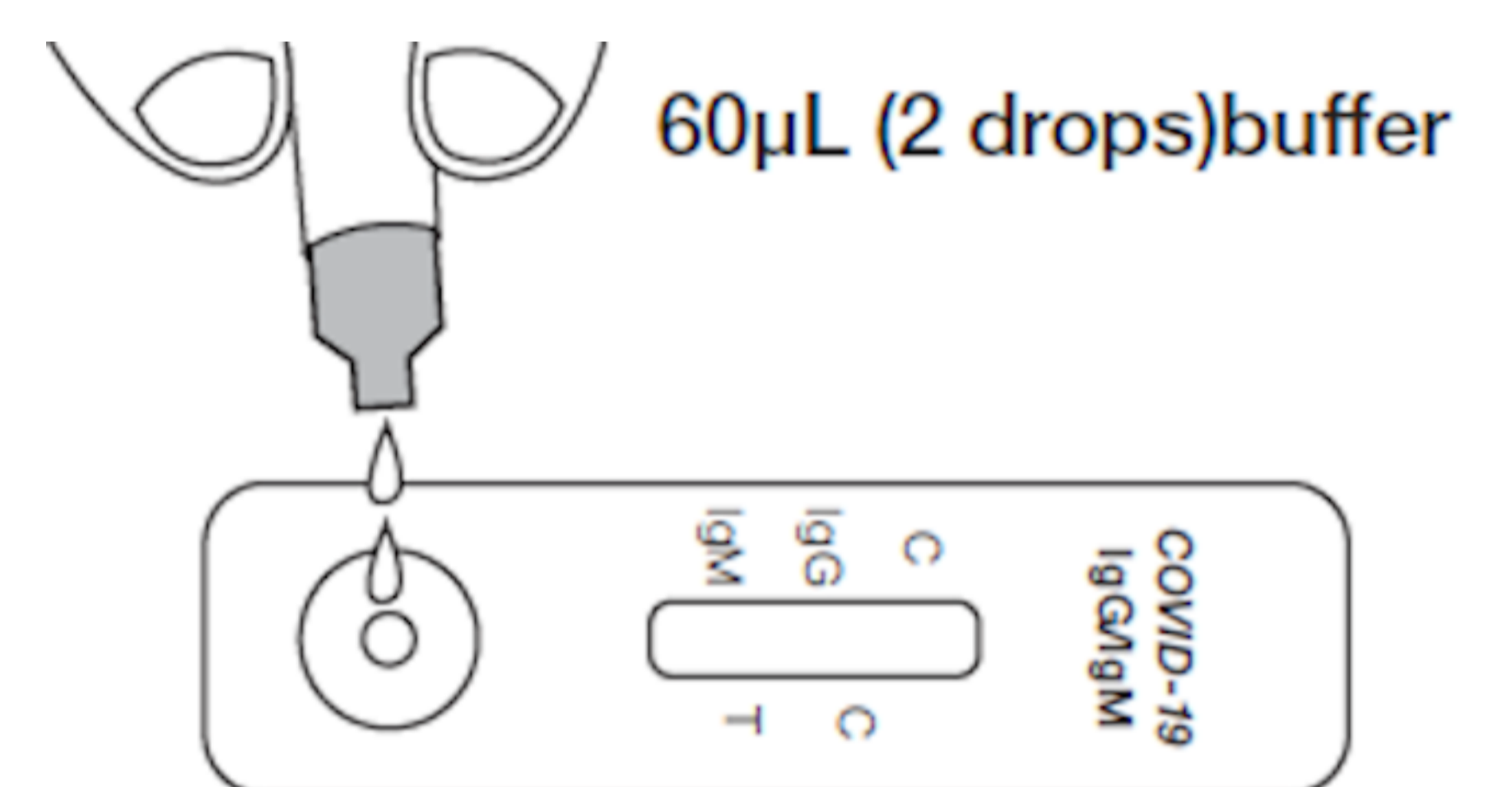
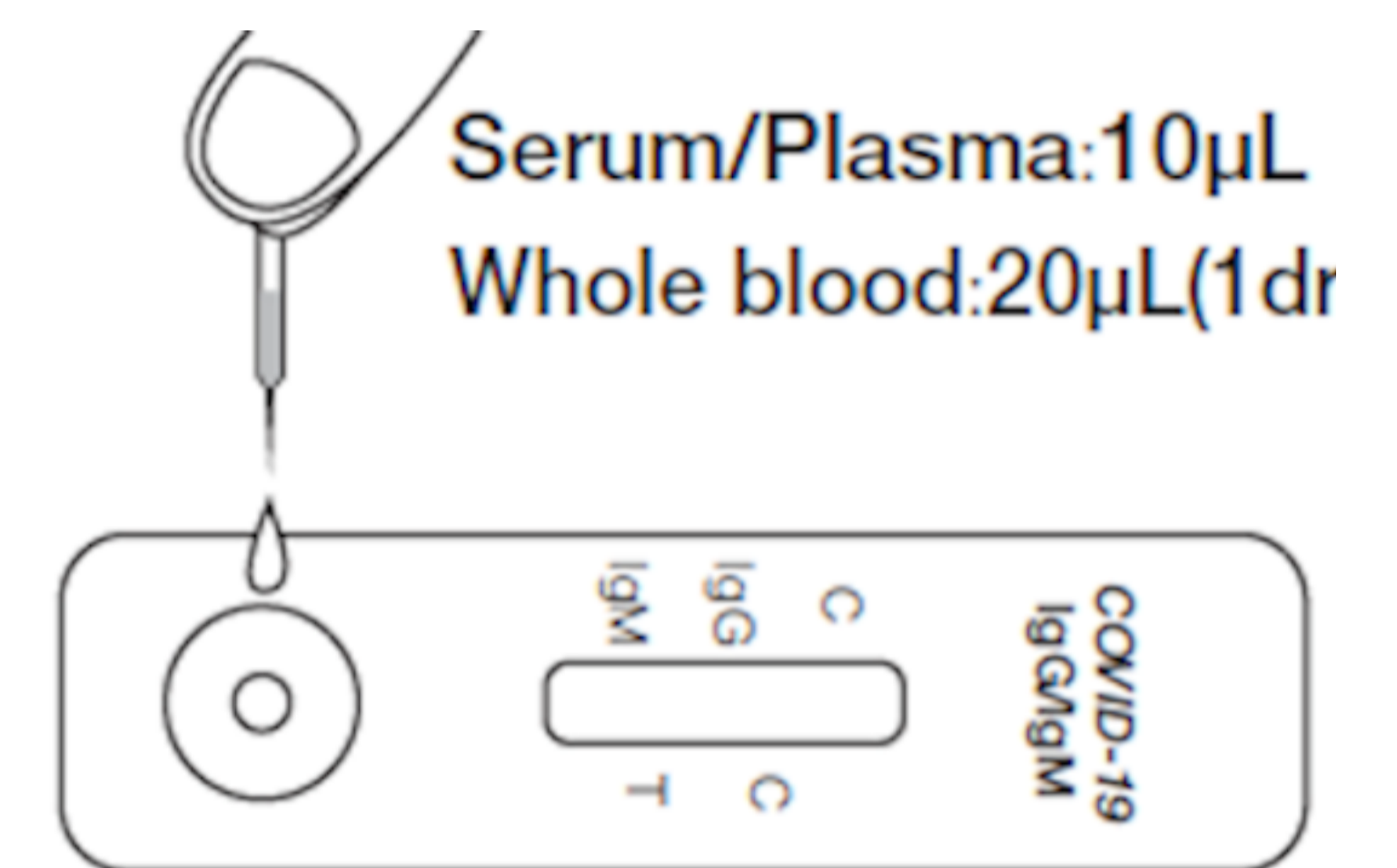
Sample - whole blood, serum & plasma



Simple - No supporting equipment required



High sensitivity and specificity  
IgG: 100% and 98%  
IgM: 85% and 96%



**HS BioLabs**  
Laboratory Diagnostics

Innospace, The Shed  
Chester Street  
Manchester M1 5GD  
E: info@hsbiolabs.com  
W: www.hsbiolabs.com

\*For professional use only