

ROOF SHEATHING NOTE:

ROOF SHG. TO BE MIN. 5/8" EXP. 1, CDX PLYWD. W/ LNG. DIM. PERPENDICULAR TO FRMG. & END JNTS. STAGGERED. ROOF SHG. TO BE ATTACHED W/ 8D HOTDIPPED GALV. RING SHANK NAILS AT 6" O.C. @ EDGES & AT INTERMEDIATE FRMG. & 4" O.C. @ ROOF CORNERS (ZONE 3) NO GABLE ENDS

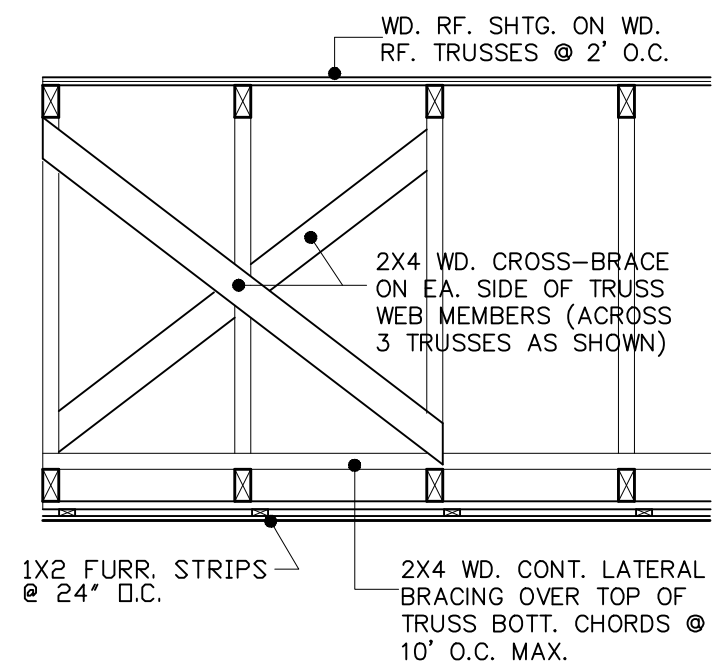
ROOF LOADS	
TCLL:	30 PSF
TCDL:	15 PSF
BCLL:	00 PSF
BCDL:	10 PSF
TOTAL:	55 PSF

ROOF SHEATHING NOTE:

ROOF SHEATHING TO BE MIN. 5/8" EXP. 1, CDX PLYWD. W/ LNG. DIM. PERPENDICULAR TO FRMG. & END JNTS. STAGGERED. ROOF SHG. TO BE ATTACHED WITH 8D RING-SHANK NAILS AT 6" O.C. AT EDGES AND INTERMEDIATE FRAMING. NAIL TO 2X FACIA BD @ 4" O.C. ZONE 3 (NO GABLE END)

TRUSS ANCHORAGE NOTE:

- (A) TRUSS ANCHOR STRAP AT NEW CONC. BM. TO BE "SIMPSON" #META16 GALV. MTL. RIVETED TRUSS ANCHOR
 - (1) 13/100 COMMON NAILS-TRUSS
 - F1=335#, F2=635#, U=-1450#
 - (9) 100 X 1 1/2" COMMON NAILS-TRUSS
- (B) TRUSS ANCHOR STRAP AT WD. FRMG. TO BE "SIMPSON" #HGA10KT GALV. MTL. TRUSS ANCH. W/ (4)SDS 1/4" X 1 1/2" SCREWS INTO TRUSS & (4)SDS 1/4" X 1 1/2" SCREWS INTO EXIST. BRD. & RAFTER @ 4" O.C. MAX. F1=1165#, F2=940#, U=-695#
- (C) GIRDER TRUSS ANCHORAGE TO BE (2) "SIMPSON" HETA16 GALV. MTL. TRUSS ANCHORS
 - 1 PLY GIRDER TRUSS
 - (1) 12 100 COMMON NAILS / UPLIFT = -2035#
 - 2 PLY GIRDER TRUSS
 - (2) 114 160 COMMON NAILS / UPLIFT = -2500#
- (D) TRUSS ANCHOR STRAP AT CONC. BM. TO BE "SIMPSON" #MGT GALV. MTL. W/ (22)10D TO TRUSS ANCHOR (1)5/8"X4"EXP. BOLT INTO CONC. BM. U=-3965#



ROOF TRUSS BRACING DETAIL

SCALE: 5/8" = 1'-0"

ROOF TRUSS BRACING NOTE:

2X4 WD. CONTINUOUS LATERAL BRACING OVER TOP OF BOTTOM CHORDS OF TRUSSES AT 10' O.C. MAXIMUM. NAILED TO EACH TRUSS W/ (2) 16d NAILS.

2X4 WD. CROSS-BRACING ON SIDE OF WEB MEMBER RUNNING TOP TO BOTTOM OF TRUSS (SEE DIAGRAM SKETCH) AT GABLE ENDS AND AT 20' MAX. BETWN. CROSS-BRACING. MAX. 10' O.C. SPACING ALONG GABLE END.

FLOOR SHEATHING NOTE:

FLOOR SHEATHING TO BE MIN. 3/4" (1&G) GLUE-NAILED TO TRUSSES, EXP. 1, CDX PLYWD. W/ LNG. DIM. PERPENDICULAR TO FRAMING & END JOINTS STAGGERED. FLOOR SHG. TO BE ATTACHED WITH 8D COMMON NAILS AT 6" O.C. AT EDGES AND INTERMEDIATE FRAMING.

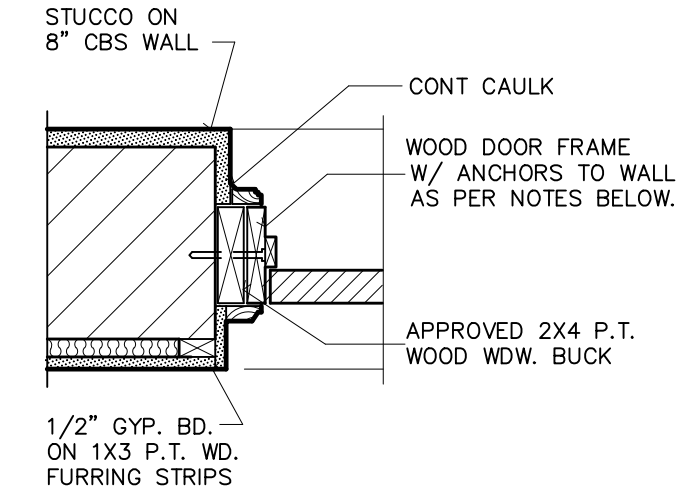
NOTE:

ALL CONNECTIONS FROM ROOF, FLOOR FRAMING, GIRDER TRUSSES & SUPPORTING MEMBERS TO WALLS, TO HAVE METAL ANCHOR STRAPS AS PER PLANS & SECTIONS, TO PROVIDE CONTINUOUS LOAD PATH.

TIN TAG NOTE :

FIELD: 8"O.C. 3 ROW @ 8"O.C.
PERIMETER: 8"O.C. 3 ROW @ 8"O.C.
CORNER: 8"O.C. 3 ROW @ 8"O.C.

FLOOR DESIGN CRITERIA:	
TRUSS DESIGN CRITERIA: FBC/ANSIS	
TCLL:	40 PSF
TCDL:	20 PSF
BCLL:	10 PSF
BCDL:	5 PSF
DURATION FACTOR: 1.00%	



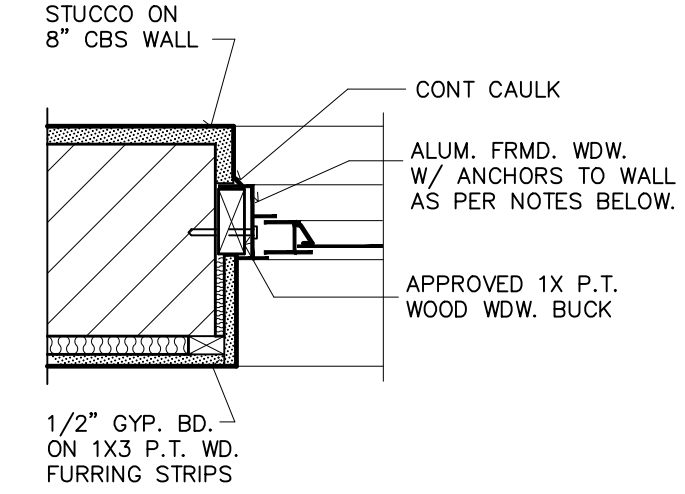
CONC BLK ANCHORAGE DTL DOOR DETAIL

SCALE: 1 1/2" = 1'-0"

ALL ANCHORAGE TO BE WITHIN 6" FROM EACH CORNER AND AS MAXIMUM OR 16" BETWEEN CENTERS. SHIMS TO BE USED TO FILL THE VOIDS AT ALL ANCHORAGE POINTS.

FOUNDATION NOTES:

- FLOOR SLAB: 4" CONC. SLAB W/ 6X6-10/10 W.W.M. ON 6 MIL. POLYETH. VAPOR BARRIER ON COMPACTED TERMITO POISONED CLEAN FILL. MIN. SOIL BEARING: 2000 P.S.F. MIN. CONC. STRENGTH: 3000 P.S.I. AT 28 DAYS
- (1) TYPICAL TIE COL.: (1) #5 REINF. BAR VERT. & GROUDED SOLID IN CELL OF CONC. BLK. WALL W/ CONCRETE.
- (2) STARTER TIE COL.: (1) #5 REINF. BAR VERT. & GROUDED SOLID W/ CONCRETE.
- 3/4" DP. X 8" W. WATERSTOP RECESS UNDER NEW CONC BLK WALLS FOR THE NEW ADDITION



CONC BLK ANCHORAGE DTL WDW DETAIL

SCALE: 1 1/2" = 1'-0"

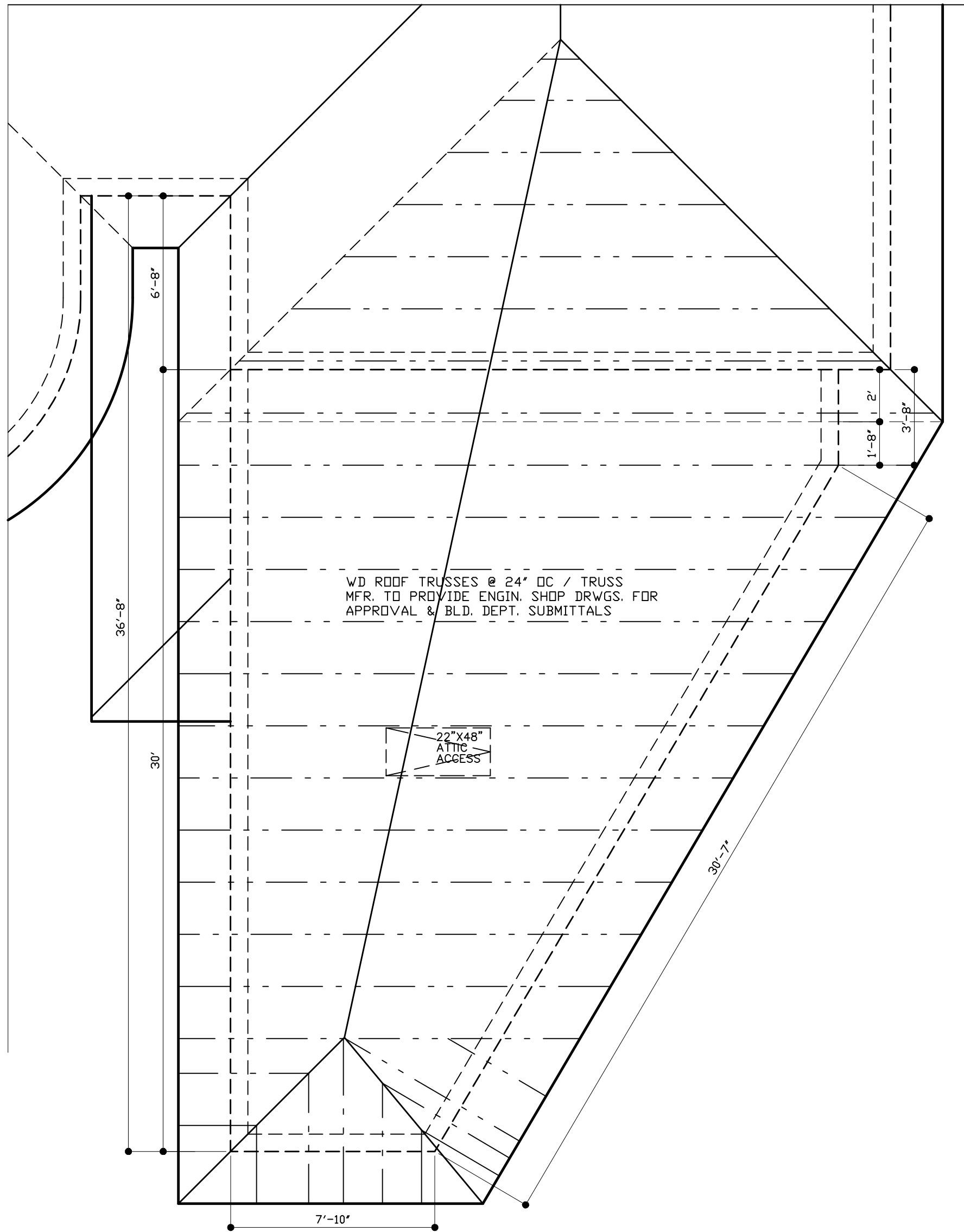
AT MASONRY WALL: 3/16" 'TAPCON' ANCHOR THRU WOOD BUCK WITH MIN. 1 1/4" PENETRATION INTO CONCRETE. AT WOOD FRMD. WALL: #10 SMS SCREWS WITH MIN. 3/4" PENETRATION OF THE WOOD FRAMING MEMBER.

FOUNDATION SCHEDULE:

- (1) 16" DP. X 24" W. CONCRETE MONOLITHIC FTG W/ (3) #5 REINF. BARS CONT W/ #4 TRANSVERSE BARS @ 48" O.C.
- (2) 10" DP. X 8" W. THICKENED CONCRETE SLAB EDGE W/ (1) #5 REINF. BAR CONT. & #4 BAR DRILLED & EPOXY GROUT INTO EDGE OF EXIST CONC FLR SLAB & POUR EXIST CBS WALL SOLID W/ CONC @ BAR LOCATION.

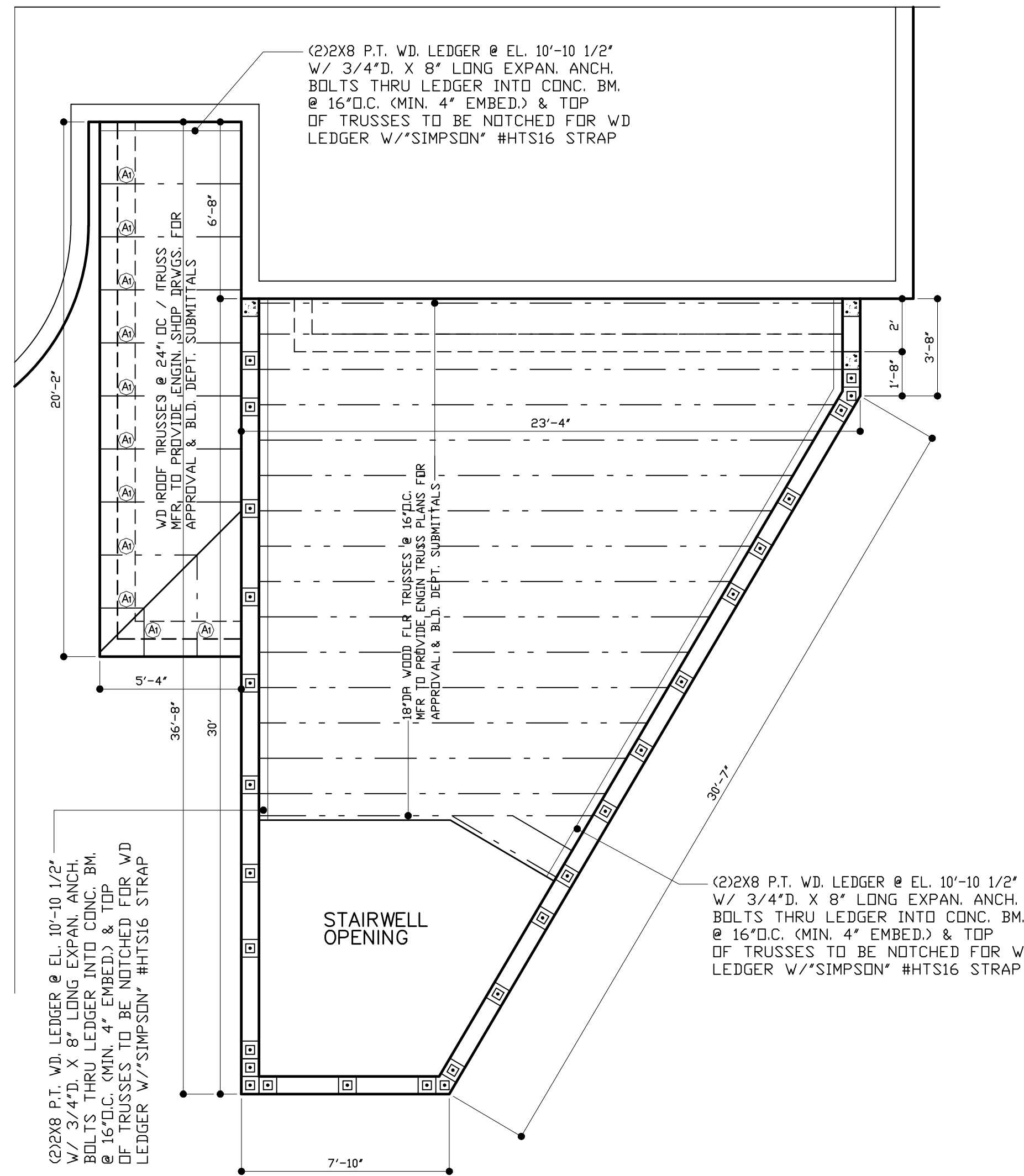
FINISH FLOOR NOTE:

NEW ADDITION FLOOR TO BE FLUSH AND MATCH EXISTING FINISH FLOOR ELEVATION OF EXISTING HOUSE.



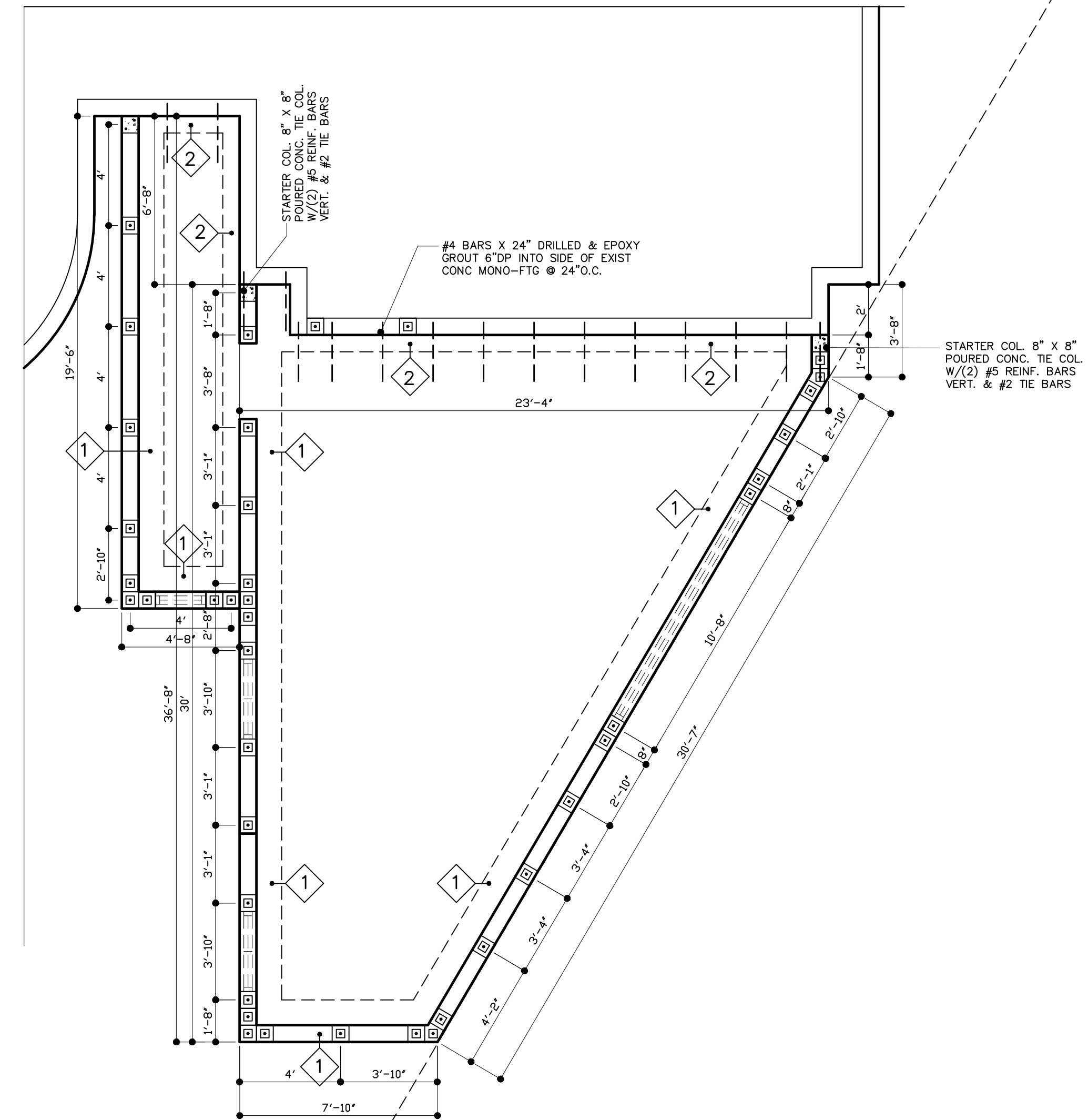
FLOOR FRAMING PLAN

SCALE:



FLOOR FRAMING PLAN

SCALE: 1/4" = 1'-0"



FUNDATION PLAN

SCALE: 1/4" = 1'-0"