



FLSP Pro

LED Sea Port Light



Cargo terminal

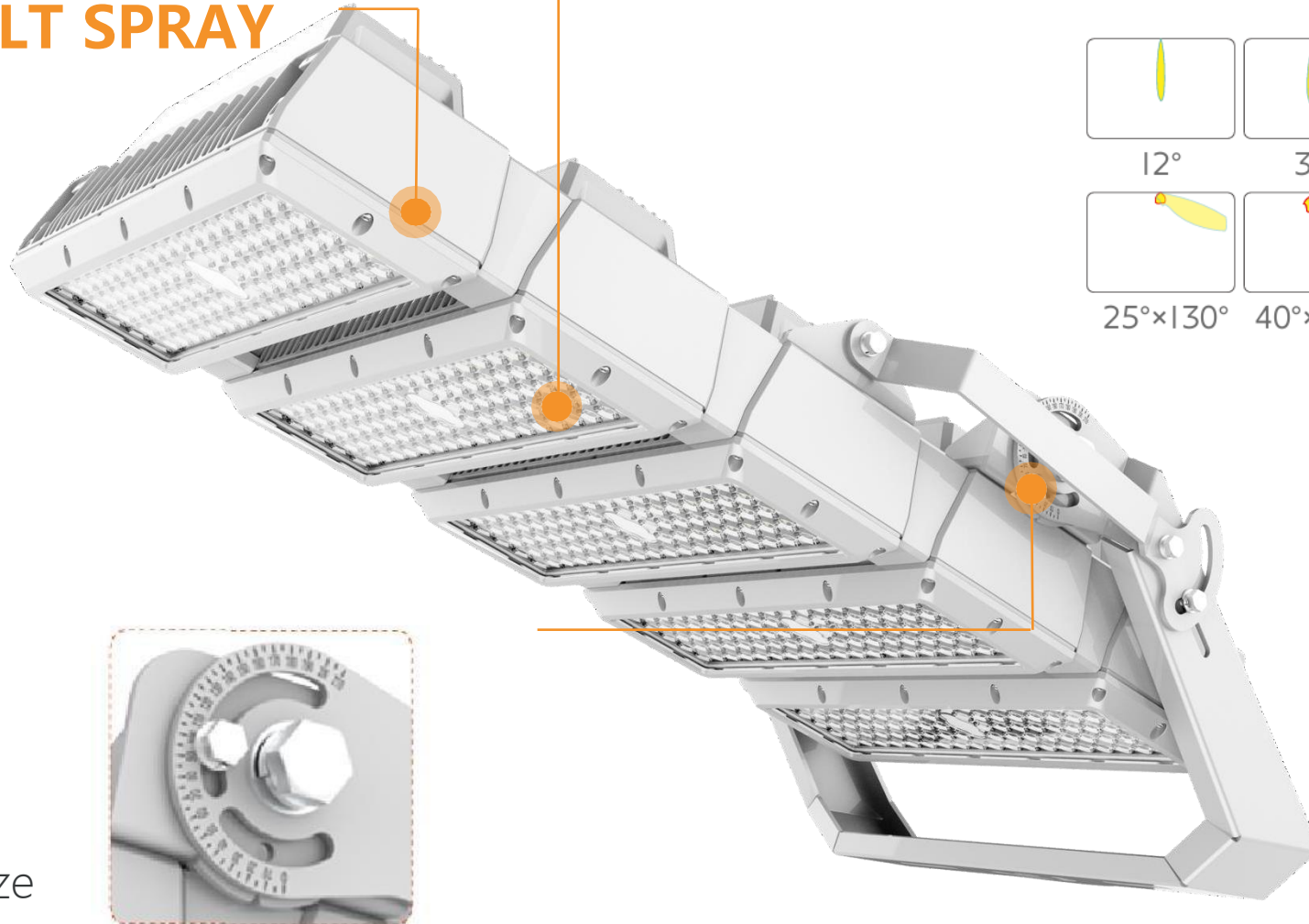


Port

FEATURES

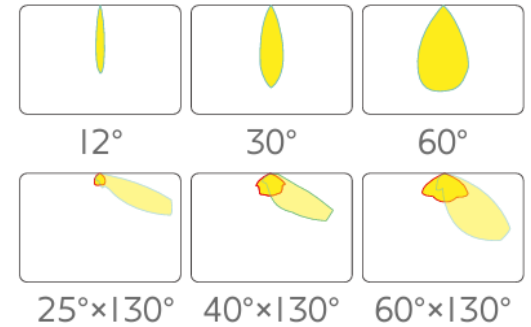
características

1,000 HOURS SALT SPRAY 20KV SPD



OPTICAL

- 25°×130° precise solution for seaport



PRECISELY ADJUSTABLE BRACKET

- Make installation a breeze

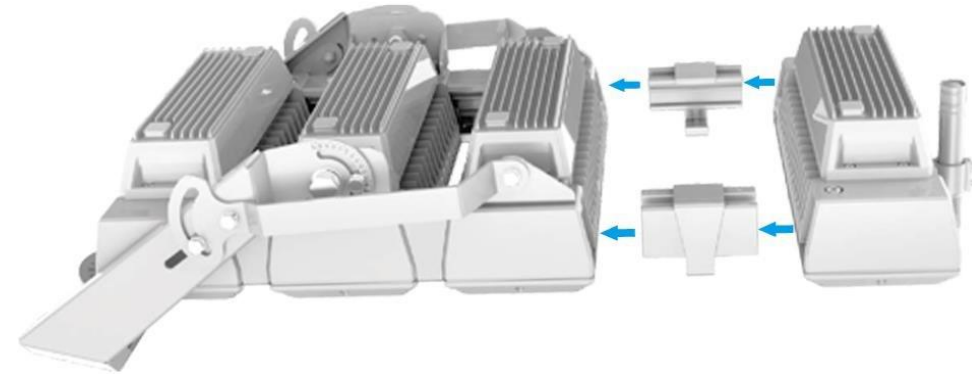


FEATURES

características

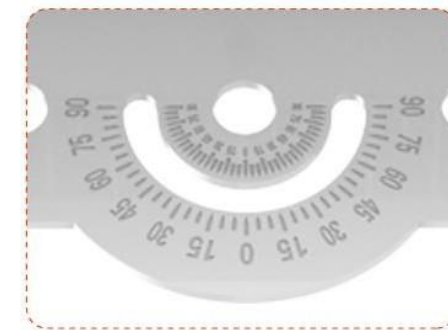
MODULE DESIGN

- Modules can be quickly installed and replaced



PRECISELY ADJUSTABLE BRACKET

- Make installation a breeze



MOUNTING OPTION

opción de montaje



On bracket



Box on pole



Driver inside pole



Cabinet



SPECIFICATIONS

especificaciones

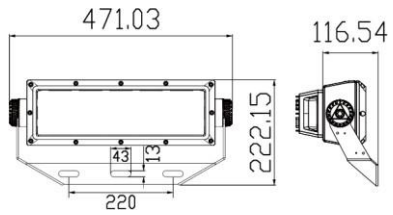
Rated Wattage	240W	480W	720W	960W	1200W
Luminous Flux	33,600lm	67,200lm	100,800lm	134,400lm	168,000lm
Efficiency	>140lm/W				
Rated Voltage	AC100~277V, 50/60Hz				
Beam Angle	12°/30°/60°/25°×130°/40°×130°/60°×130°				
CCT	5000K (3000K/4000K/5700K Optional)				
CRI	Ra70(Ra80/Ra90 Optional)				
IP Rating	IP66				
Warranty	5 years				
Working temperature	-30°C~+55°C				
Net Weight(With Driver)	7.0kg	14.2kg	20.0kg	28.9kg	34.8kg

- *Specifications subject to change without notice.

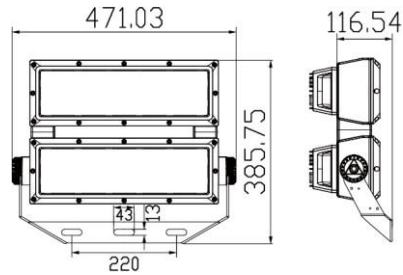


DIMENSIONS (MM)

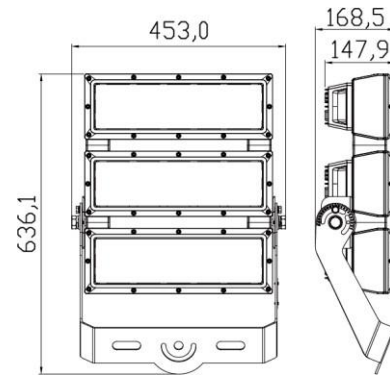
dimensiones



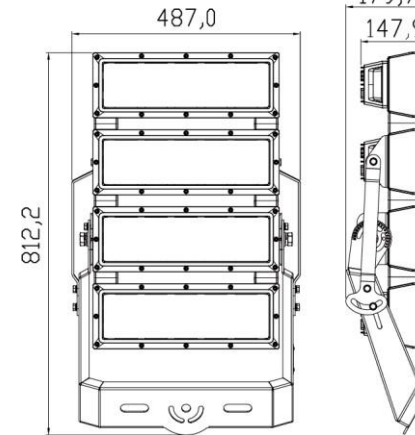
240W



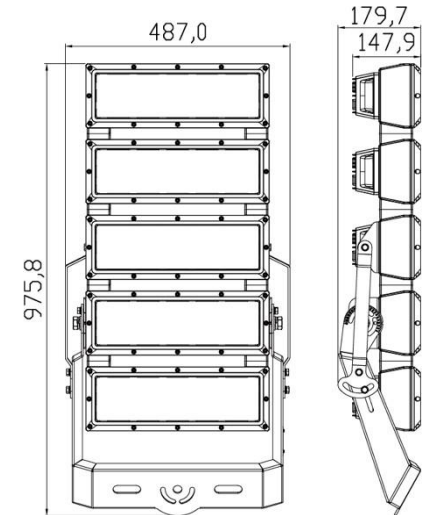
480W



720W



960W



1200W



Gracias

thank you

Gisela Ortiz

Mario C. Caira

Victor M. Fuertes de la Vega

Representante Iberia y Latam.

direccion@objetivo17.com

+34 697 215 839

+34 605 211 497

+34 638 056 821

www.objetivo17.com

