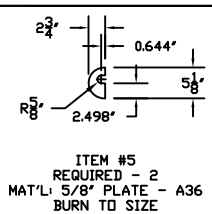
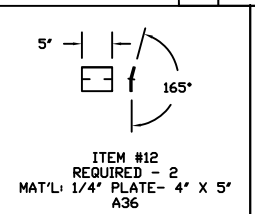
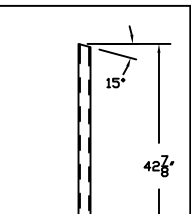
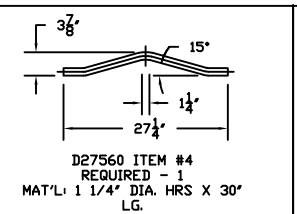
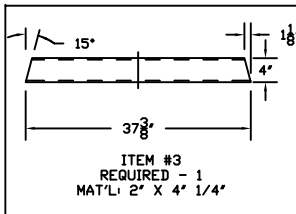


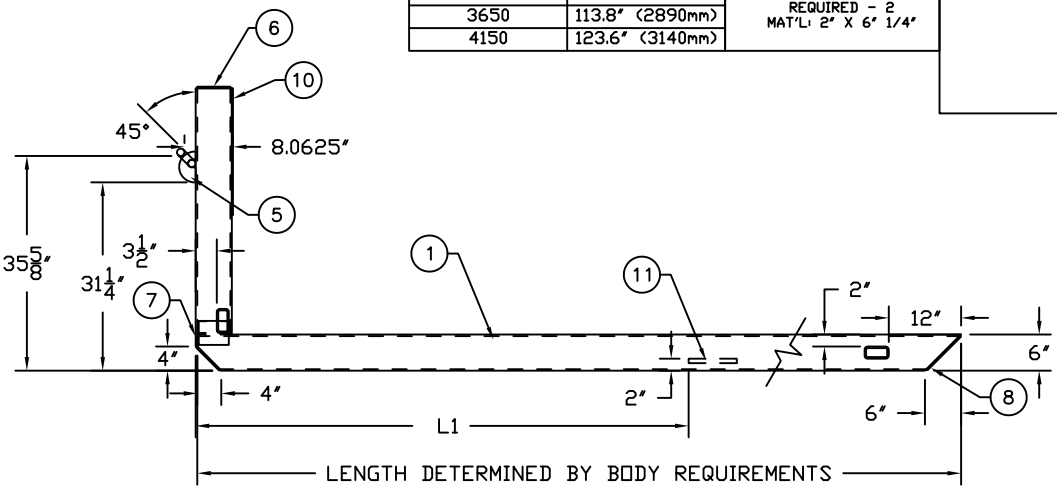
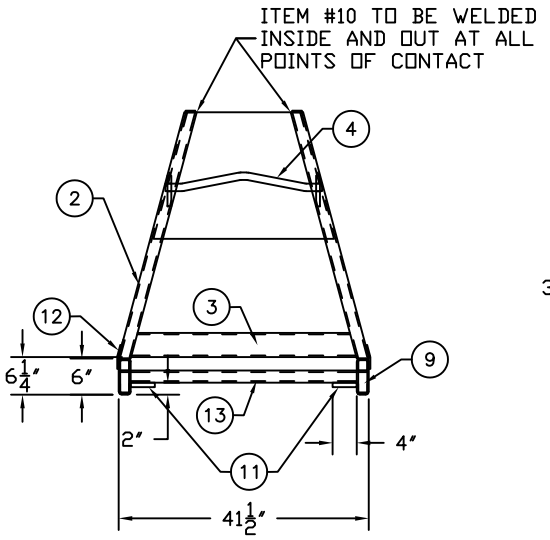
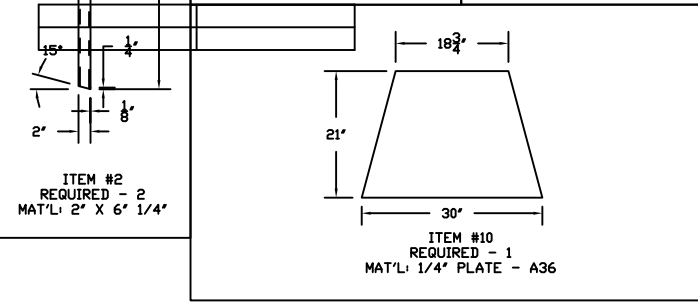
Change	Description	Initial	Date
A	UPDATED NOTES, ADDED DIMS, DELETED ITEM #14	SMG	6-3-20
B	DIMENSION ADDED	SMG	8-9-21
C	L1 TABLE ADDED	PWP	8-25-21

REV. PART NO. **D27342-HLSUB36**

WELDING NOTES:
 1) ALL WELDS NOT SPECIFIED TO BE 1/4" FILLET
 2) ALL WELDS TO BE SOLID



L1 LENGTH	
G-LENGTH	L1
MODEL: XR5S	
ALL	81.75' (2076mm)
MODEL: XR7S	
ALL	81.75' (2076mm)
MODEL: XR8S	
3250	104.0' (2640mm)
3650	113.8' (2890mm)
4150	123.6' (3140mm)



ITEM#	QUAN.	DESCRIPTION/SIZE	PART NO.
13	1	RECT. TUBE - 2" X 4" X 1/4" X 37 1/2" LG.	SEE DETAIL
12	2	1/4" PLATE - A36	SEE DETAIL
11	2	3/4" X 4" X 8" - A36	
10	1	1/4" PLATE - A36	SEE DETAIL
9	2	END CAP - 1 1/2" X 5 3/8" X 1/4" - A36	
8	2	END CAP - 1 1/2" X 7 7/8" X 1/4" - A36	
7	2	END CAP - 1 1/2" X 1 3/4" X 1/4" - A36	
6	2	END CAP - 1 5/8" X 5 1/2" X 1/4" - A36	
5	2	5/8" PLATE - A36	SEE DETAIL
4	1	LIFT BAR - 1 1/4" DIA. HRS	D27560
3	1	REC. TUBE - 2" X 4" X 1/4"	SEE DETAIL
2	2	REC.TUBE - 2" X 6" X 1/4"	SEE DETAIL
1	2	MIN. REQ'D - REC.TUBE - 2" X 6" X 1/4"	SEE DWG

BREAK ALL SHARP EDGES
 PRIMED AND PAINTED BLACK

Cargotec Cargotec Inc. 12233 Williams Road Perryburg, Ohio 43551 Tel (419) 482-6000 <small>Tolerances - unless otherwise noted. Tolerances are in inches 2-PLACE ±.000..... .05 3-PLACE ±.000..... .015 ANGULAR ± 1' FRACTIONAL ± 1/16"</small> Break all sharp corners unless otherwise specified.	THIS PROPERTY AND ALL INFORMATION THEREIN IS THE PROPERTY OF CARGOTEC, INC., 307 BROADWAY, SWANTON, OHIO 43558 AND IS CONFIDENTIAL. IT MUST NOT BE MADE PUBLIC OR COPIED. THIS DRAWING IS LOANED TO RETURN UPON DEMAND AND SHALL NOT BE USED DIRECTLY OR INDIRECTLY IN ANY WAY DETRIMENTAL TO OUR INTERESTS. OUR PRIOR SPECIFIC APPROVAL IS REQUIRED FOR EXPOSURE OF THIS DRAWING TO OTHERS FOR ANY PURPOSE.	Drawing Title: MULTILIFT 36" HOOK HEIGHT BODY SUBFRAME
	Next Assy. Dwg/Cad file no. D27342	Project Name: 36" HOOK HEIGHT BODY SUBFRAME Drawn by: Date: SMG 5-19-20 Approval: Date Approved: