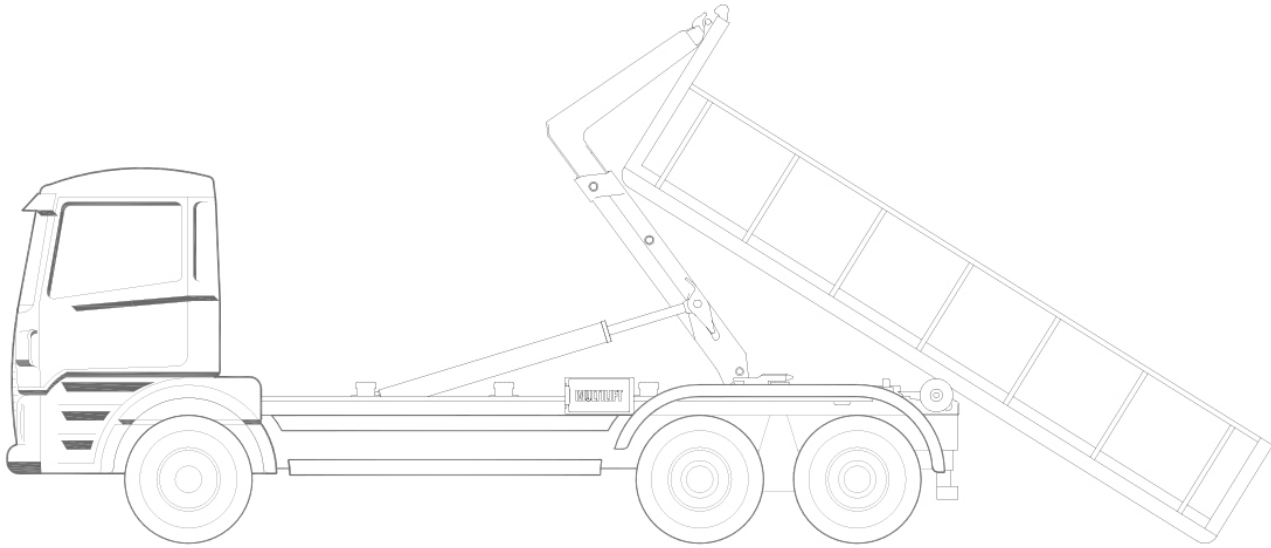


LOAD ANGLES



OPTIMA & ULTIMA MODELS

MODEL	CONTAINER LENGTH	LOAD ANGLE
OPT15S-4300	14'	36°
	18'	26°
OPT15S-4600	15'	36°
	19'	27°
OPT15S-5600	18'	33°
	22'	26°
ULT16S-4600	15'	36°
	19'	27°
ULT16S-5100	16.5'	33°
	20'	25°
ULT16S-5300	17'	36°
	21'	26°
ULT16S-5600	18'	33°
	22'	25°
ULT16S-5900	19'	33°
	23'	26°

MODEL	CONTAINER LENGTH	LOAD ANGLE
ULT21S-4600	15'	38°
	19'	28°
ULT21S-5100	16.5'	34°
	20'	26°
ULT21S-5300	17'	37°
	21'	27°
ULT21S-5600	18'	33°
	22'	26°
ULT21S-5900	19'	33°
	23'	26°
ULT21S-6100	20'	30°
	24'	22°
ULT26S-5300	17'	38°
	21'	27°
ULT26S-5900	19'	34°
	23'	26°
ULT26S-6100	20'	30°
	24'	25°
ULT30S-5900	19'	34°
	23'	26°
ULT30S-6100	20'	31°
	24'	25°

Load angles shown above assumed a 45" chassis frame height (max.).
Lower chassis frame heights and/or air ride suspensions (capable of dumping the air) will improve load angles.