
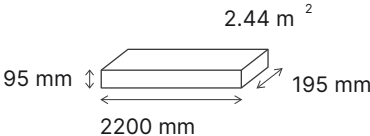
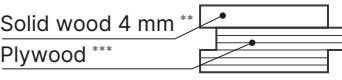
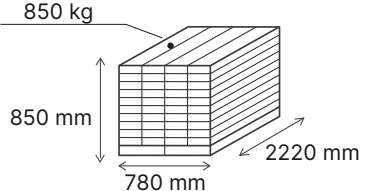


# HARDWOOD FLOORING

## TECHNICAL DETAILS

<b>Project name:</b> Stock	<b>Pattern:</b> Plank 	<b>Color:</b> Provence
----------------------------	---	------------------------

PRODUCT INFO		PACKAGING		STRUCTURE
Species	White European Oak	<b>BOX</b>		2-layer Engineered Construction *  
Finish	UV Silk			
Structure	Engineered (2-layer)			
Joint	T&G			
Bevel	Micro (0,8mm)			
Surface	Light Brush	<b>PALLET</b>		* High Balance and Stability ** Saw Cut White European Oak *** Birch water resistant plywood
Grade	Character			
<b>DIMENSIONS</b>				
Thickness	15,5 mm			
Width	185 mm			
Row Length	2200 mm			
Shorts	Allowed			

FINISH	DESCRIPTION
Sheen \ Gloss	Semi-gloss
Look	Semi-open pores, wire brushed
Feeling	Transfer warms of natural wood
Type	UV cured modified polyurethane-acrylate
Wear resistance	Not rated
Scratch resistance	Not rated
Slip resistance	50 (SRV dry)
Resistance to chemical agents	Class 5 (Except blue ink)
Maintanance	Maintanance free
Repairability	Easy

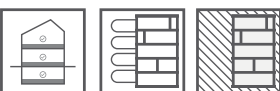
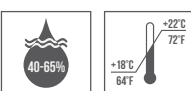
TECHNICAL INFORMATION			
Characteristics (EN 14342)		Deviations (EN 13489)	
Formaldehyde emission class	E1; ULEF	Deviation on Thickness	0,2 mm
Pentachlorophenol content	None	Deviation on Width	0,2 mm
Thermal resistance	0,118 m2 K\W	Height Difference	<0,2% of width
Thermal conductivity	0,161 W\m K	Cup	<0,2% of plank width
Fire resistance	Dfl-s1	Bow	<0,1% of plank lenght
		Spring	<0,5% of lenght

antique wood	warm holes
authentic natural	oak texture
diverse color	variation
sapwood	unlimited burls
brown streaks	tight knots

Character Grade creates an effect of antique wood and emphasizes authentic natural oak texture. Planks may contain diverse color variation, sapwood, unlimited burls, brown streaks, tight knots and properly filled open knots, warm holes as well as other imperfections in the face work (torn grain) to design advantage.



## PRODUCT USE

INSTALLATION	STORAGE & USE
 <p>Glue down over concrete, plywood or wooden subfloor or nail down over wooden subfloor. Semifloation installation as well. Applicable above, on and below ground level.</p>	 <p>Air Humidity 40-65%            Temperature +18°C ... +22°C (64°F ... 72°F)</p>

CARE & MAINTANENCE	DESCRIPTIONS & IMAGERY
<p>Maintenance of hardwood Floors with UV Silk assumes regular (daily if necessary) cleaning from dust and grit using a vacuum, followed by a thorough cleaning with floor cleaner. Floor surface areas that receive the most traffic and get worn down quicker, such as areas by the front door, hallways, kitchens etc., should be periodically renewed with oil.</p>	<p>Flooring colors displayed in digital platforms may vary according to the color settings of the monitor you are using.</p>