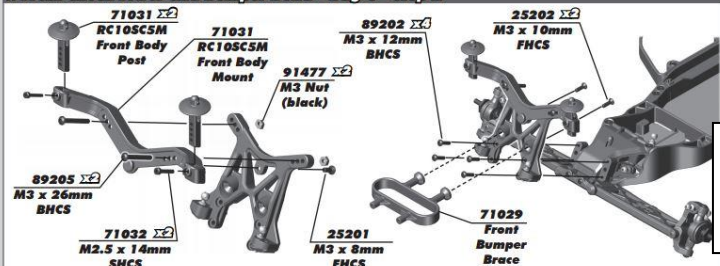


SC5M MOUNTING KIT INSTRUCTIONS

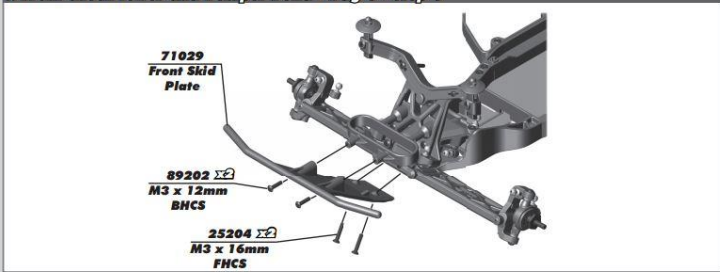
:: Front Shock Tower and Bumper Build - Bag C - Step 2



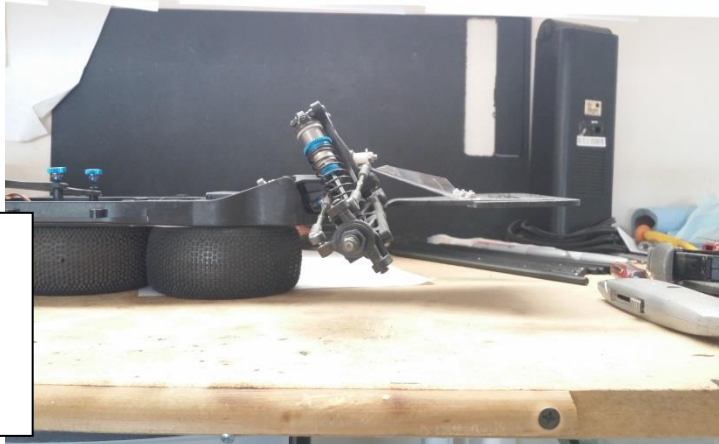
Remove the factory front body mount, bumper support, and bumper

8

:: Front Shock Tower and Bumper Build - Bag C - Step 3



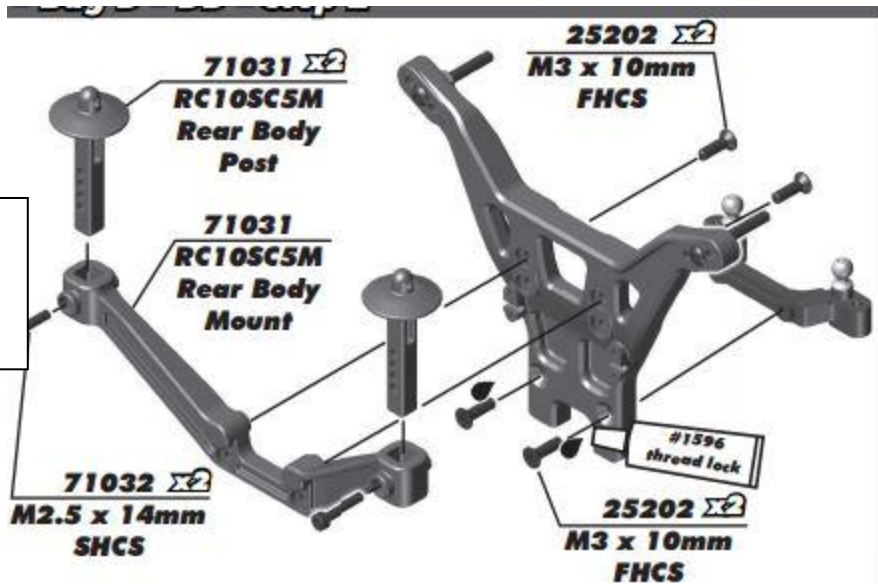
Attach the modified bumper plate to the chassis using the factory hardware. Attach the bumper support to the bumper plate and front shock tower using the supplied hardware.



89202 x4
M3 x 12mm
BHCS

Remove the factory screws holding the nerf bars to the chassis. Attach the mid body post mounts to the nerf bars using the supplied hardware.

Remove the factory rear body mount. Use the 2 supplied 1/8" spacers in between the rear bumper and shock tower.





Remove the factory button head screws and replace with the supplied threaded rods. The 1/2" long rods go in the most forward holes in the gearbox. The 5/8" long rods go in the rearward most holes.

Screw the 4 hex standoffs onto the threaded rods. Tighten the until snug. Do not over tighten. Attach the rear body mount to the stand offs with the supplied hardware as show.

