

# 12' x 20' MERIDIAN WOOD GAZEBO

with ALUMINUM ROOF

## Installation and Operating Instructions – YM11775



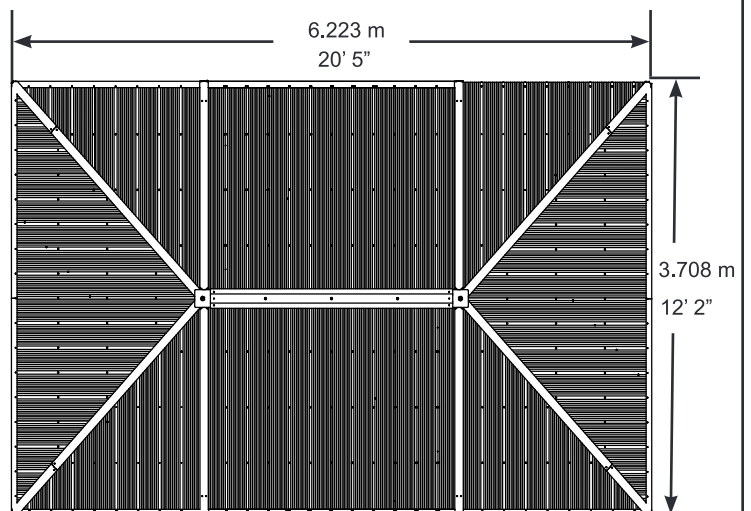
HEIGHT:  
3.099 m / 10'2"

IMPORTANT, RETAIN FOR FUTURE REFERENCE: READ CAREFULLY

07-21-2022

The logo for YARDISTRY, featuring the word "YARDISTRY" in a serif font with a small leaf icon above the letter "I".

Yardistry – North America  
Toll Free Customer Support:  
1.888.509.4382  
info@yardistrystructures.com  
www.yardistrystructures.com



# Permanent Installation Examples

**Note: It is critically important you start with square, solid and level footings, concrete pad or deck to attach your Pergola Room.**

We supply Post Mounts with this structure which gives you the flexibility to permanently install your structure to a pre-existing or new wood or concrete surface.

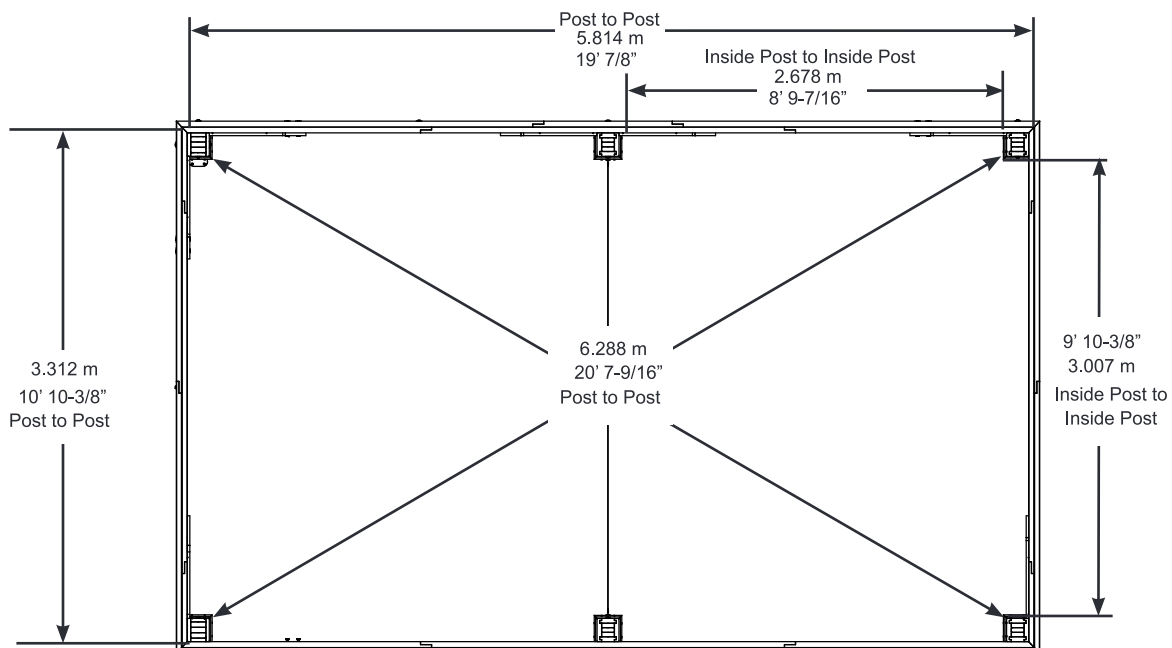
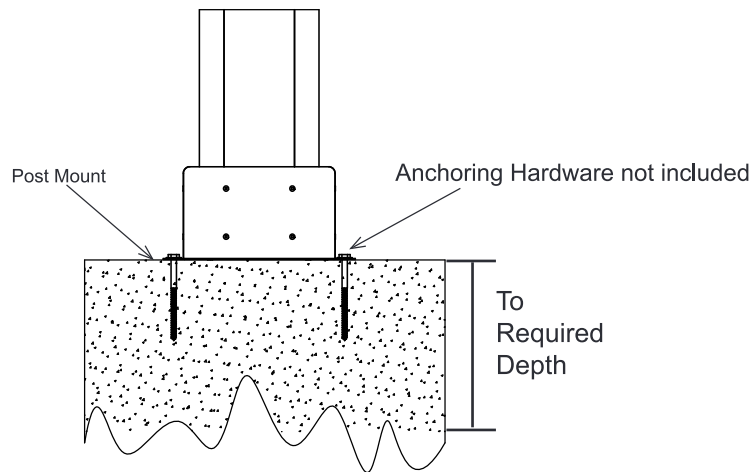
- The hardware to attach the Post Mount to the structure is included.
- The hardware to mount the structure permanently will need to be purchased separately at your local hardware store.

If you are mounting to concrete footers see below for the correct locations and placement. Please double check for possibility of any underground utilities such as gas, telephone, cable or sprinkler lines.

Following are some examples of how to mount the structure to wood or concrete surfaces.

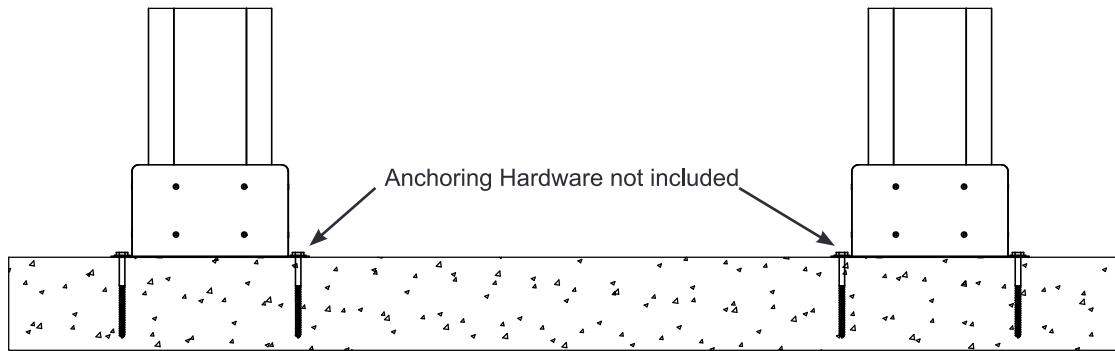
Refer to your local building and city codes, ordinances, neighbourhood covenants, or height restrictions regarding this type of structure for guidance on acceptable installation requirements.

## Concrete Footer

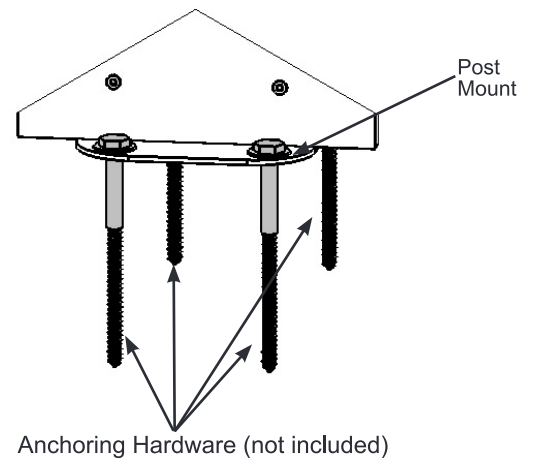
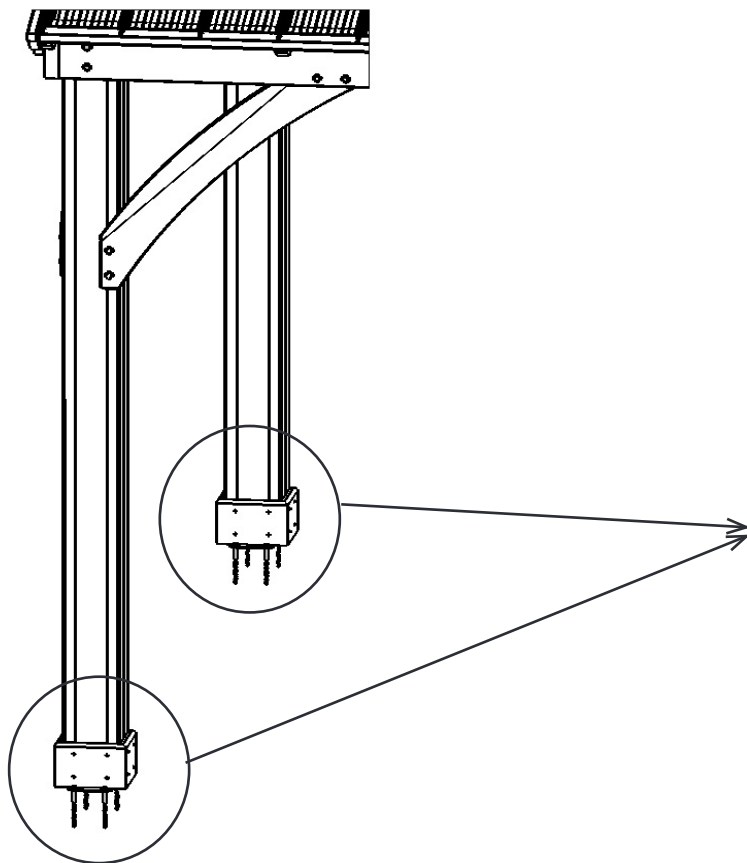


## Permanent Installation Examples cont.

Concrete Patio [min. 3.616 m x 6.1 m (11' 10-3/8" x 20' 7/8")] with 15.24 cm (6") clearance on all sides



Wood Deck [min. 3.616 m x 6.1 m (11' 10-3/8" x 20' 7/8")] with 15.24 cm (6") clearance on all sides



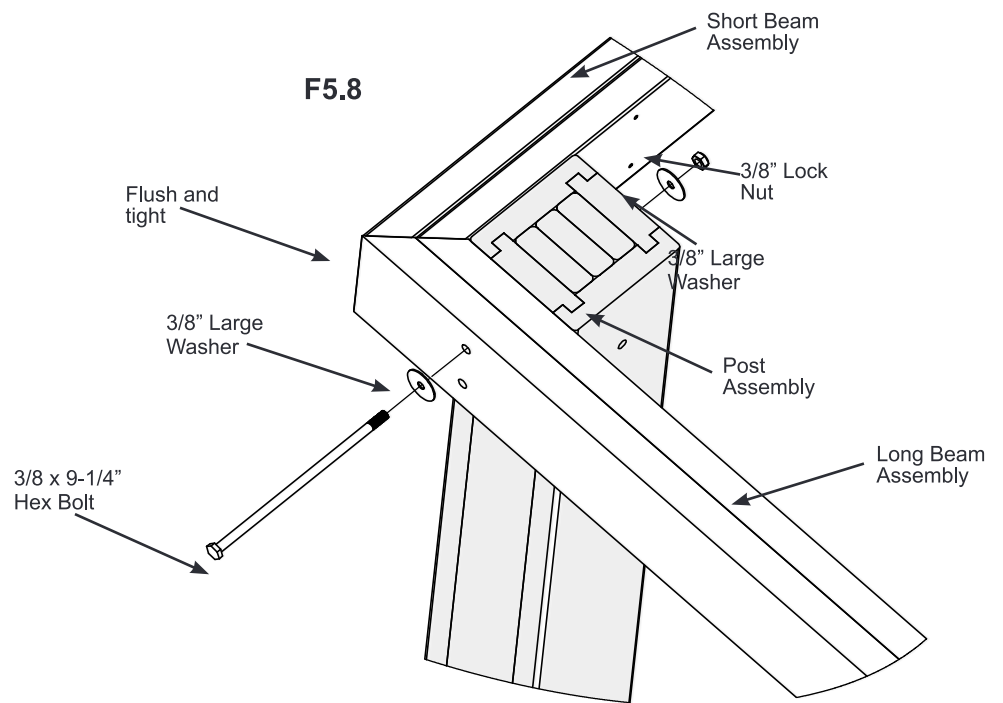
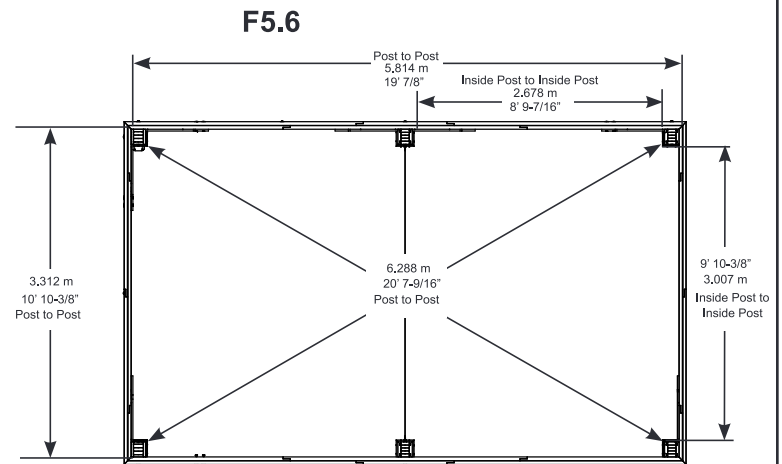
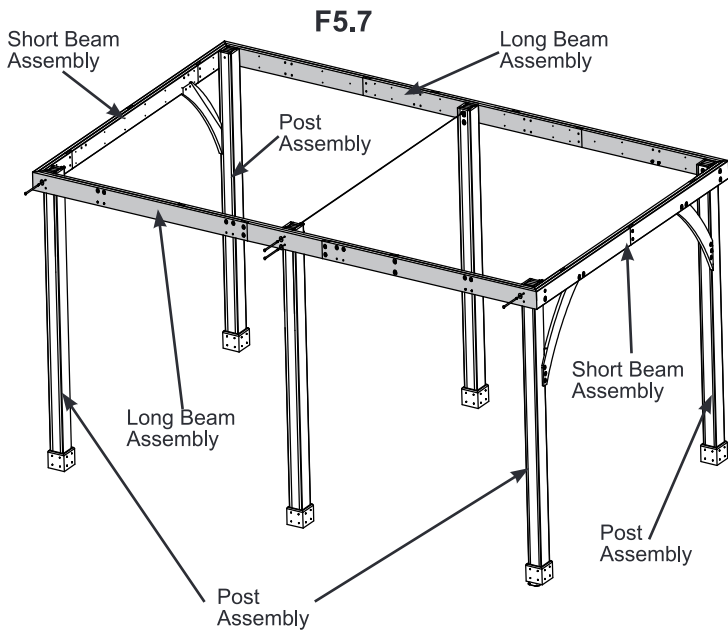
*Post Mounts have a 12.7 mm (1/2") diameter hole for anchoring hardware.*

# Step 5: Frame Assembly and Anchoring Part 3



**F:** Move your Post Assemblies to the final location. Make sure the ground is flat and level before continuing assembly.

**G:** With helpers stand up Short Beam Assemblies then place one Long Beam Assembly against the outside of two Post Assemblies, flush to the tops and outside corners and tight to Short Beam Assembly. Attach Long Beam Assembly to Post Assemblies through the top hole with one 3/8 x 9-1/4" Hex Bolt (with two 3/8" large washers and one 3/8" lock nut) per Post. Repeat for the second Long Beam Assembly on the opposite side. (F5.6, F5.7 and F5.8)



### Hardware

4 x 3/8 x 9-1/4" Hex Bolt (3/8" large washer x 2, 3/8" lock nut)