



DMS

DAKOTA METAL SOLUTIONS LLC



About Us!

When you bring a project to DMS, you can rest assured that it will be handled by experienced professionals from start to finish. From project management and engineering to final delivery, you will only encounter teams that know what they are doing and want to work hard to ensure that your design becomes a reality in the highest quality most cost-effective way possible.

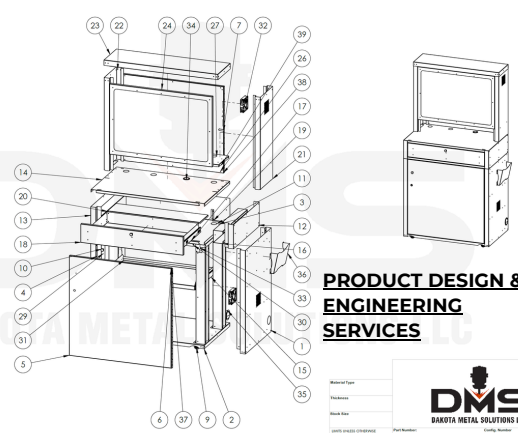
Contact Us

-  Website
www.dakotametalsolutions.com
-  Address
[45425 152nd st](#)
[Summit SD 57266](#)
-  [605-924-4200](tel:605-924-4200)

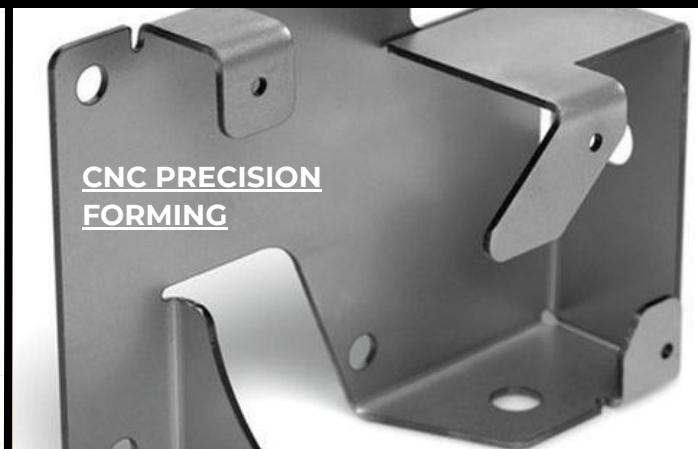
The Right Solution
At The Right Time
For The Right Price

Our Service

NO.	PART NUMBER	QTY.
1	MCC-03-01	1
2	MCC-03-02_rev1	1
3	MCC-03-03_rev1	1
4	MCC-03-04	1
5	MCC-03-05_rev1	2
6	1575A334	2
7	MCC-03-06	3
8	7815011	2
9	7815014	2
10	824845	2
11	MCC-03-07_rev1	1
12	MCC-03-08	1
13	MCC-03-09	1
14	MCC-03-10_rev1	1
15	Closed	3
16	MCC-03-11	2
17	MCC-03-12	1
18	MCC-03-13	1
19	MCC-03-14	2
20	MCC-03-15	1
21	MCC-03-16	1
22	MCC-03-17	1
23	MCC-03-18	1
24	MCC-03-19_rev1	1
25	1575A7	2
26	MCC-03-20_rev1	1
27	MCC-03-21_rev1	1
28	85916137	1
29	MCC-03-22	4
30	97447A045	1
31	MCC-03-23	1
32	877A118	3
33	MCC-03-24	4
34	8600K126	3
35	2807N1	1
36	WAFBI	2
37	MCC-03-25	2



PRODUCT DESIGN & ENGINEERING SERVICES



CNC PRECISION FORMING

PRODUCT DESIGN & ENGINEERING SERVICES

Work with our engineers to create CAD files for your product and use them for 3D printing, manufacturing, visual renders and much more!

LASER METAL CUTTING SERVICES

DMS Cut offers laser metal cutting in aluminum, steel, stainless, copper, brass, bronze, and nickel, with material thicknesses ranging from 0.02" through 1.0"

TUBE LASER CUTTING SERVICES

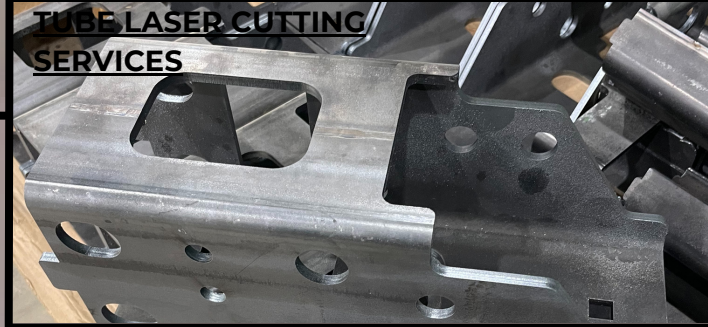
For superior accuracy and ideal flexibility, DMS offers laser tube cutting services in our state-of-the-art facility. Our laser cutting technology produces precise and complex laser cut geometry up to 6in on angle, box, channel, pipe, and tube materials.

DEBURRING AND EDGE ROLLING

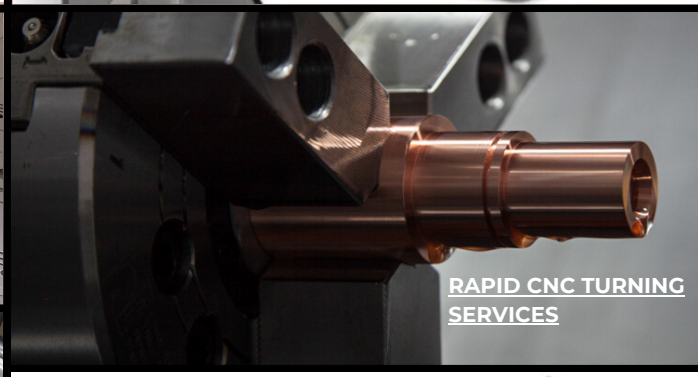
DMS offers deburring and edge rolling services to improve surface and edge quality, remove burrs, and eliminate expensive manual operations like grinding.



LASER METAL CUTTING SERVICES



TUBE LASER CUTTING SERVICES



RAPID CNC TURNING SERVICES

CNC PRECISION FORMING

DMS offers on-demand metal bending services in steel, stainless, aluminum, and copper, in thicknesses up to 3/4".

RAPID CNC TURNING SERVICES

CNC turning is frequently requested for a certain category of parts. Turning is a CNC machining process in which the workpiece is rotated at speed in a chuck. Unlike with CNC milling, the cutting tool does not spin.



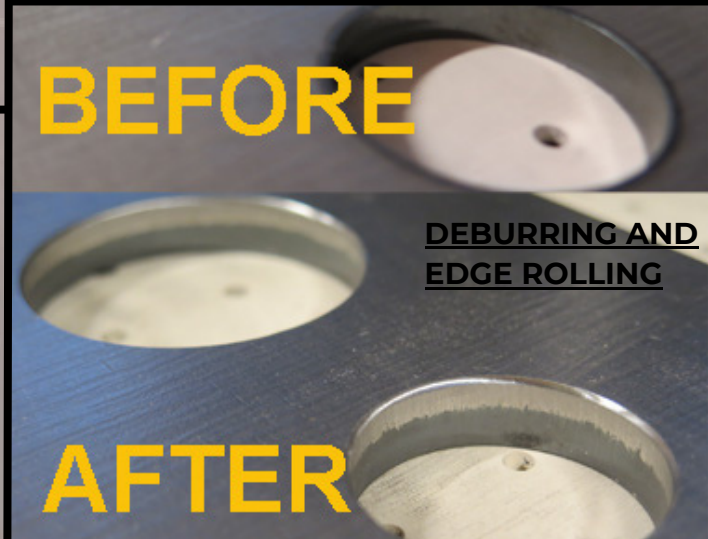
Precision CNC Milling

PRECISION CNC MILLING

Our horizontal machining center with load capacities up to 1,100 lbs. and work surfaces up to 23" diameter, and a Hight of 31.5" gives us the flexibility to handle a broad range of part sizes.

WELDING SERVICE

At DMS, the customer always comes first. We take pride in offering the highest quality products and services in the industry. We view welding as a craftsmanship and pledge to dedicate our time and skillset to provide consistent on-time delivery for quality products and services.



BEFORE

DEBURRING AND EDGE ROLLING

AFTER



WELDING SERVICE