

PROJECT: YOUR PROJECT NAME  
 LOCATION: YOUR PROJECT ADDRESS  
 SUBMITTAL DATE: XX/XX/XXXX

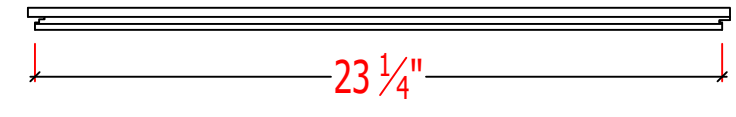
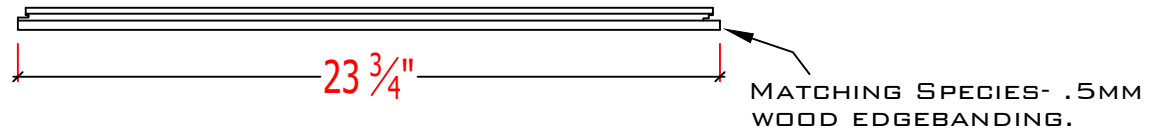
MATERIAL: VENEER ON MDF  
 SPECIES: YOUR SPECIES  
 STAIN: OPTIONAL  
 FINISH: OPTIONAL FINISH

PRODUCT DIMENSION: 24" x 24"  
 TILE THICKNESS: 3/4"  
 GRID: 1 5/16" | PERF: NO | CHANNEL: NO  
 EDGE: STEP | SCRIM: NONE

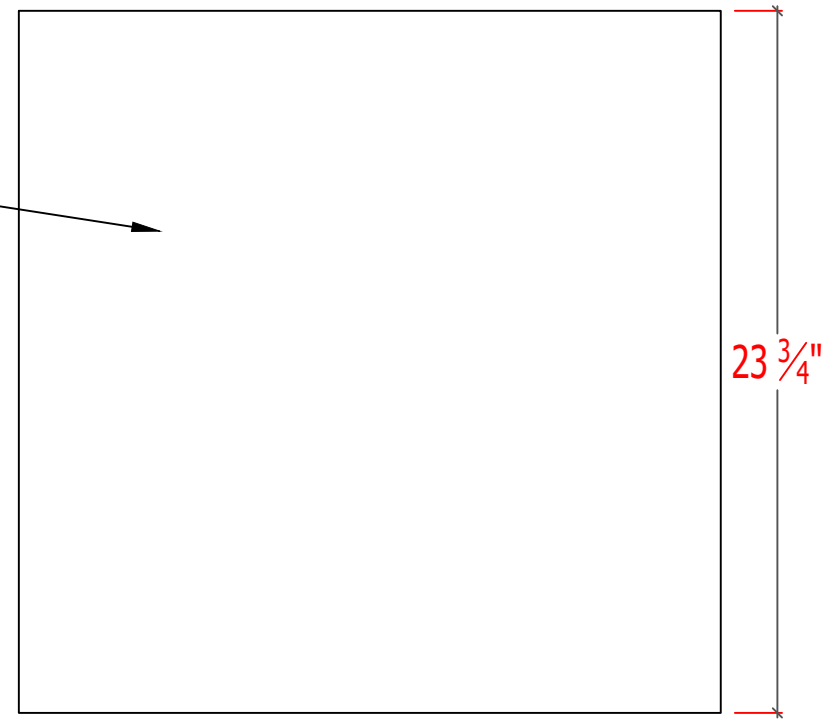
**1.1 Isometric**

**Drop In Tile Series**  
 PRODUCT SKU: JC-BNPB1516SE

**PARAMOUNT**  
 CREATING EXQUISITE WOODWORK SINCE 1984

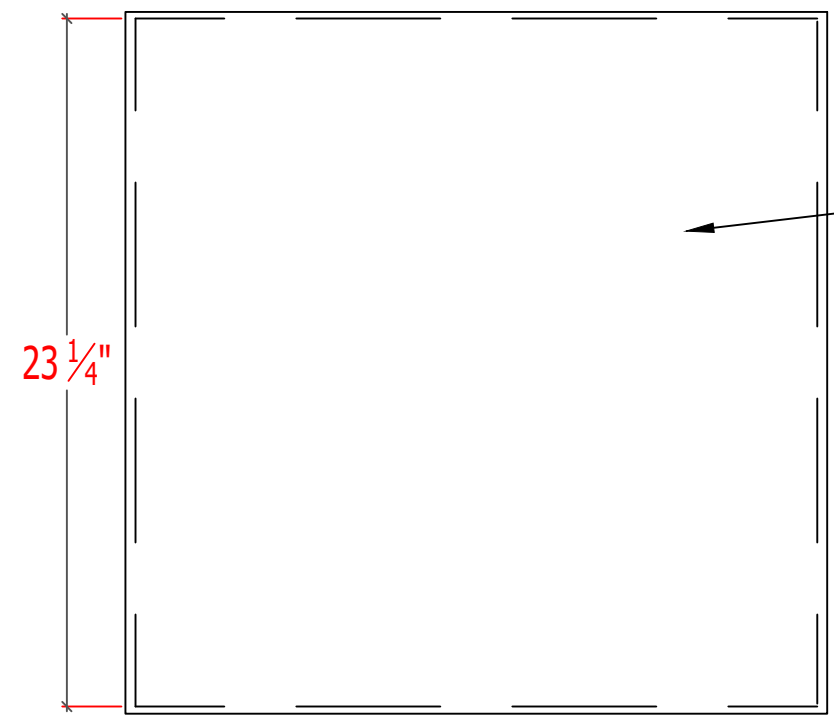


GRADE A VENEER OR PREMIUM LAMINATE FACING



FRONT

#1 VENEER BALANCED BACKER



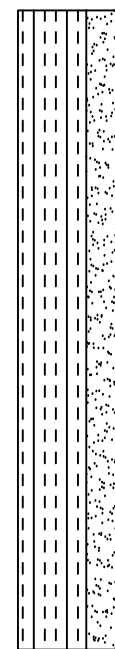
BACK

SCALE REPRESENTATION  
1.5 = 12"

**Drop In Tile Series**  
PRODUCT SKU: JC-BNPB1516SE

**PARAMOUNT**  
CREATING EXQUISITE WOODWORK SINCE 1984

## 1.2 Product Configuration



CEILING GRID WALL ANGLE  
(CONTRACTOR SUPPLIED)

Wall Condition

4 1/4"

2" X 2" L BRACKET WITH  
DIRECT SCREW ATTACHMENT  
(INCLUDED IN THE TRIM  
PACKAGE OPTION)

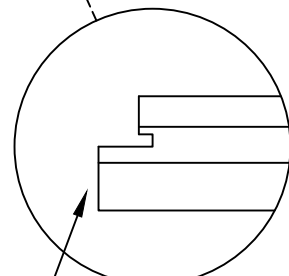
Cloud Condition

DROP IN TILE

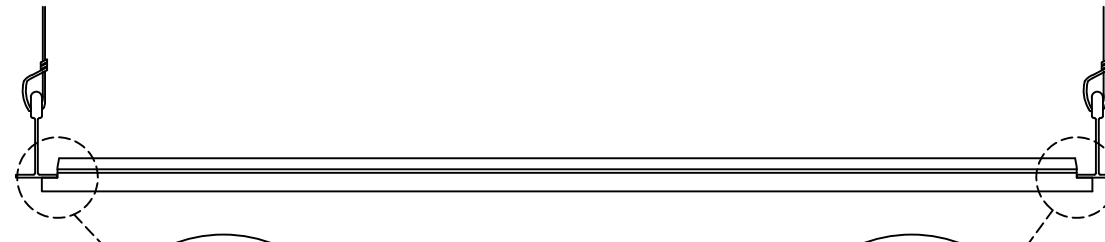
#12 GAUGE HANGING WIRE  
(CONTRACTOR SUPPLIED)

5/8" OR 1 5/16" HEAVY DUTY T-GRID  
(CONTRACTOR SUPPLIED)

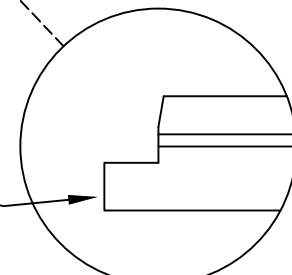
1/4"



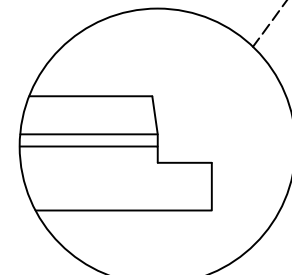
PROFILE A



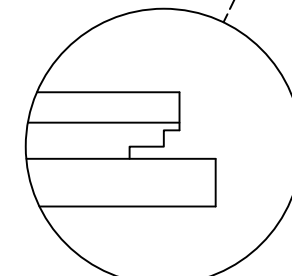
EXPOSED EDGES, STAINED (IF  
OPTION SELECTED), CLEAR COAT  
SEALED, AND EDGEBANDED.



PROFILE C



PROFILE C



PROFILE B

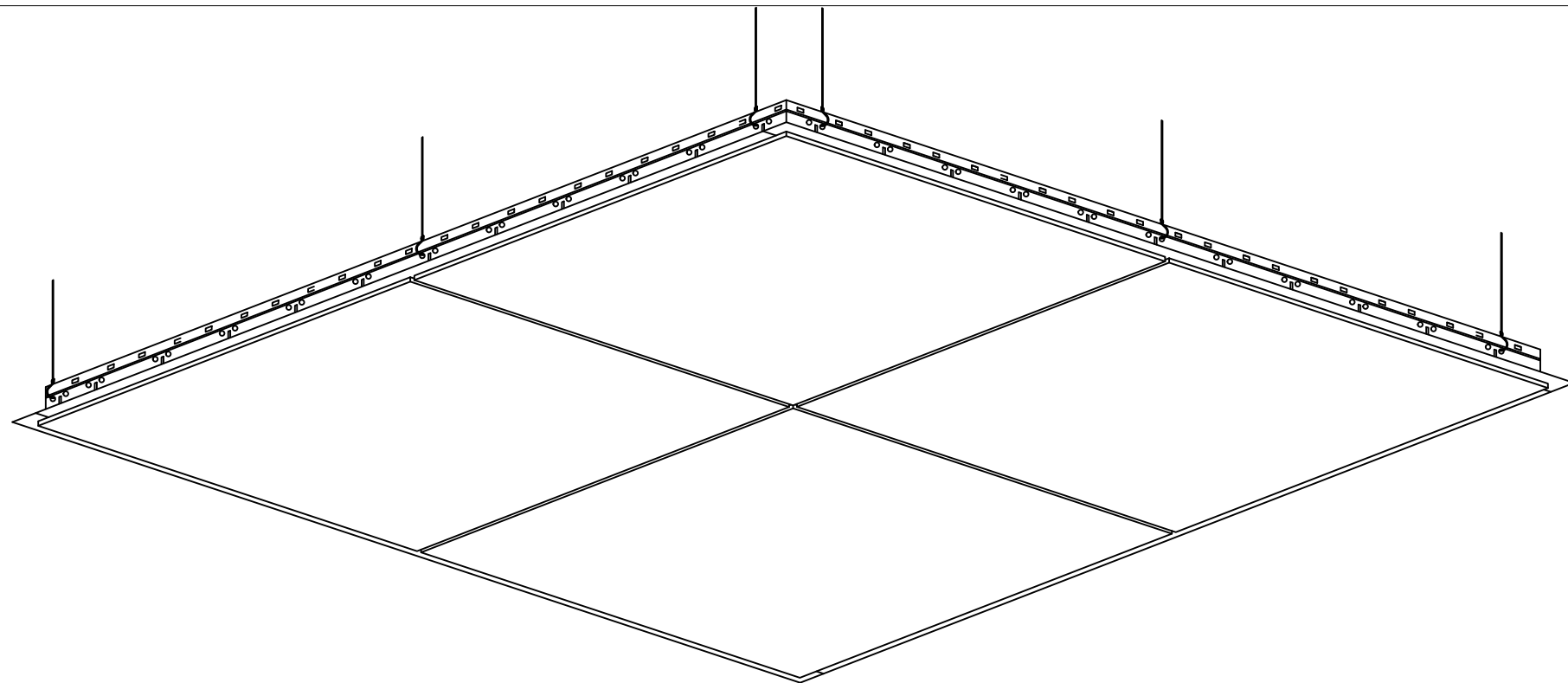
SCALE REPRESENTATION.  
1.5" = 12"

# 1.3 Elevation

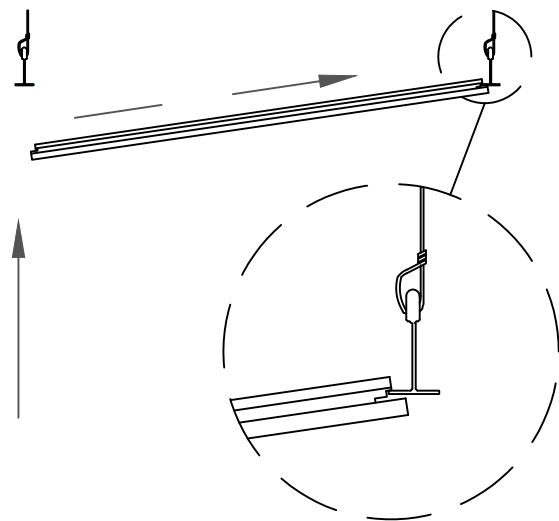
Drop In Tile Series

PRODUCT SKU: JC-BNPB1516SE

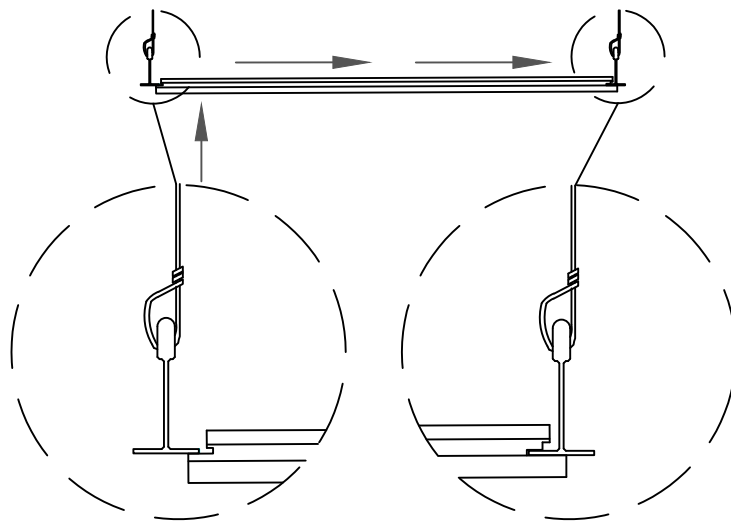
**PARAMOUNT**  
CREATING EXQUISITE WOODWORK SINCE 1984



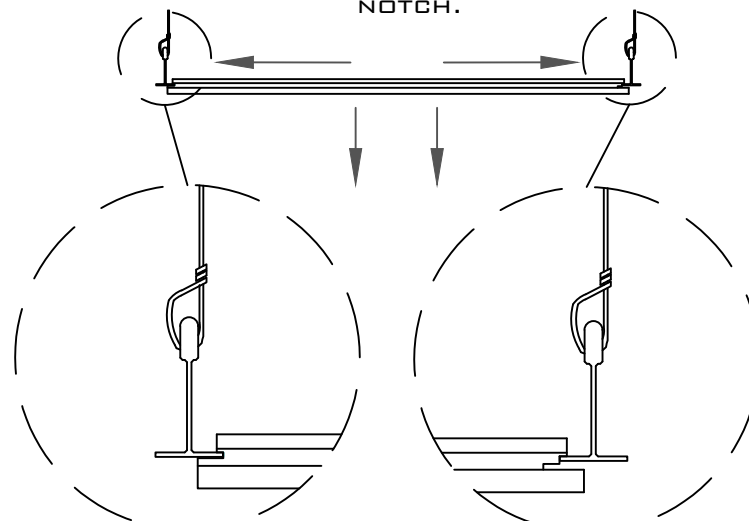
LIFT TILE AT AN ANGLE THROUGH T-GRID OPENING, AND SLIDE INTO THE FIRST NOTCH.



LEVEL THE TILE BY SLIDING FULLY INTO THE SECOND NOTCH, AND BRINGING THE LIP FLUSH WITH THE T-GRID.



SLIDE THE TILE FULLY INTO THE SIDE WITH THE SINGLE NOTCH, AND ALLOW THE ADJACENT END TO REST ON THE FIRST NOTCH.



*PRO TIP: EACH TILE WILL HAVE APPROXIMATELY 1/16" OF ADJUSTABLE PLAY. USE A 1/4" GUIDE TO CREATE A UNIFORM LOOK IN BETWEEN TILES.*

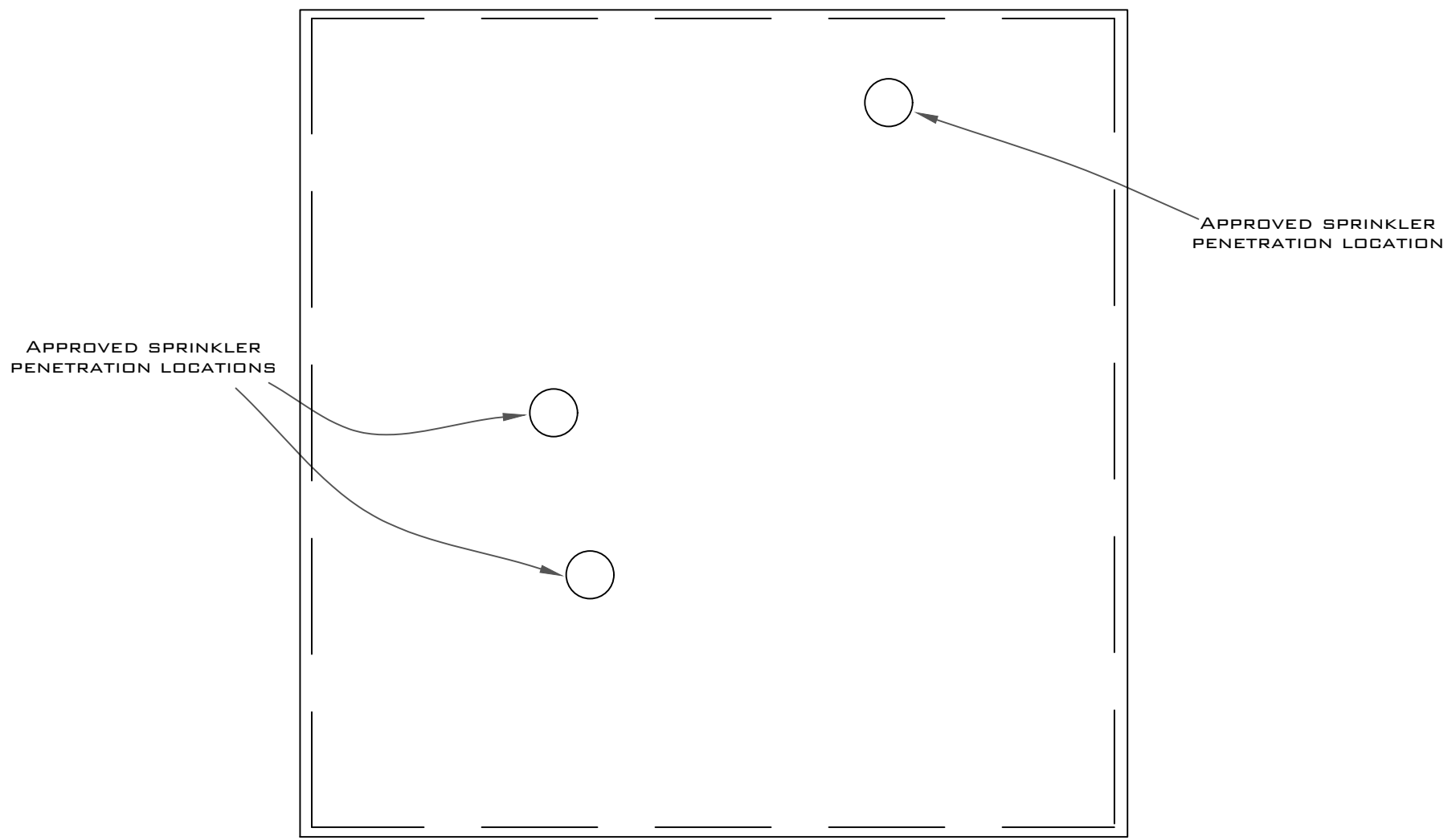
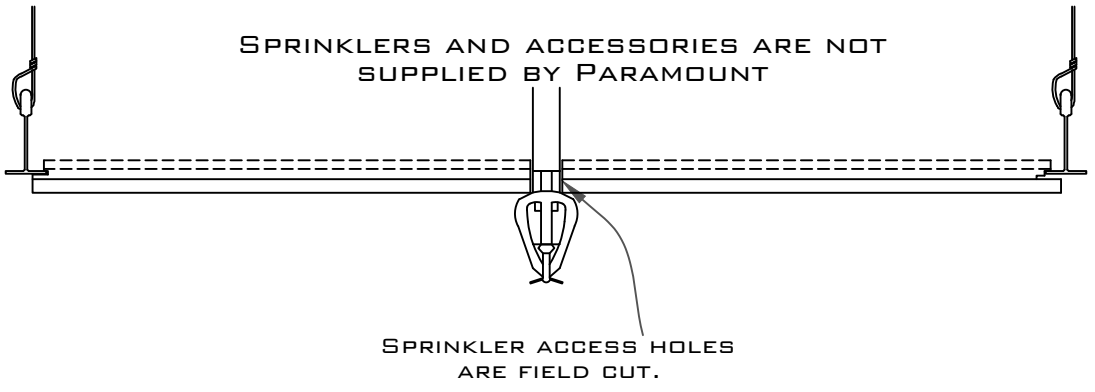
## 1.4 Installation

## Supplemental Information 01

Drop In Tile Series

PRODUCT SKU: JC-BNPB1516SE

**PARAMOUNT**  
CREATING EXQUISITE WOODWORK SINCE 1984

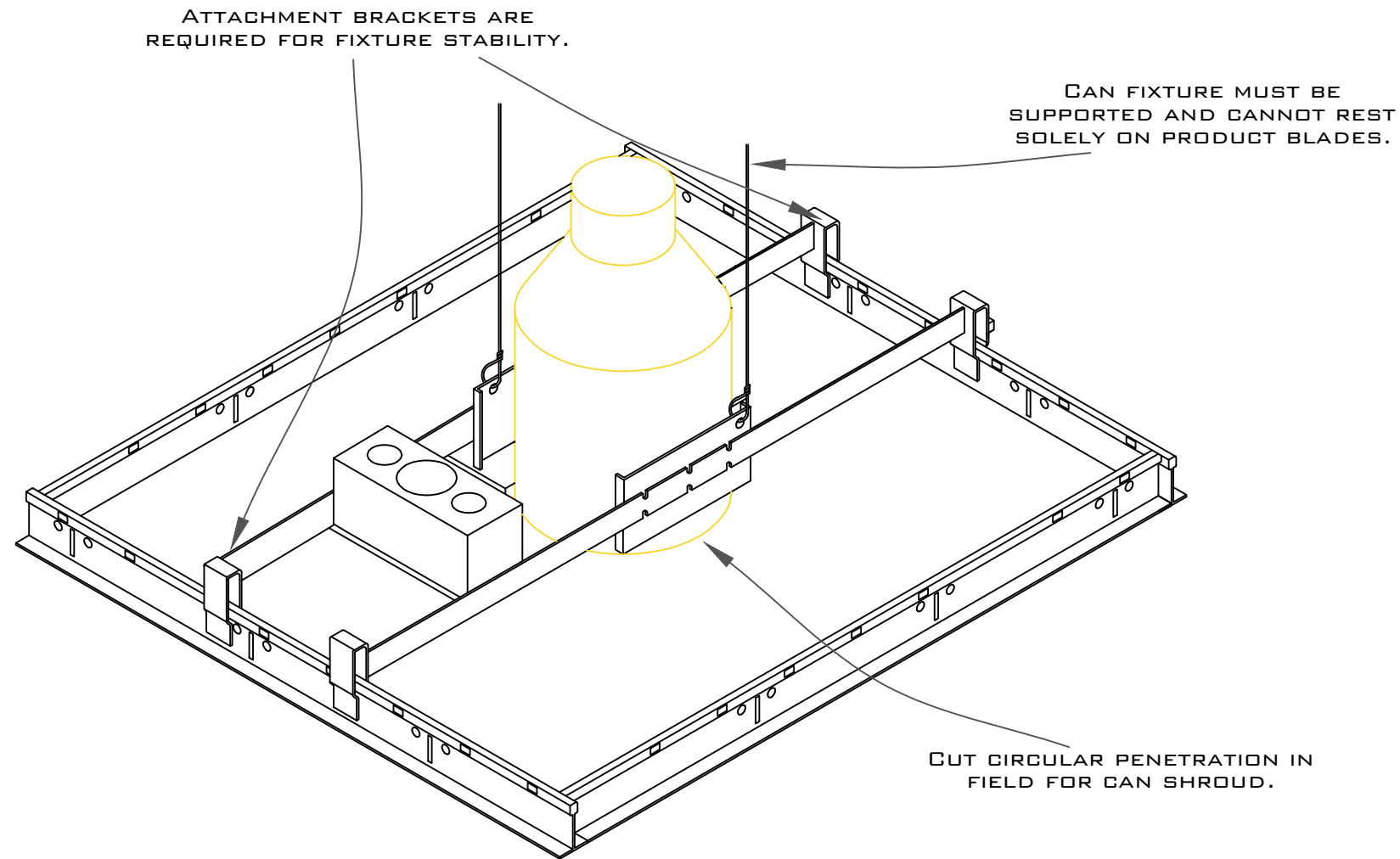


**1.5 Standard Sprinkler Detail**

**Supplemental Information 02**

**Drop In Tile Series**  
 PRODUCT SKU: JC-BNFB1516SE

**PARAMOUNT**  
 CREATING EXQUISITE WOODWORK SINCE 1984



## 1.6 Standard Can Light Installation

## Supplemental Information 03

Drop In Tile Series

PRODUCT SKU: JC-BNFB1516SE

**PARAMOUNT**  
CREATING EXQUISITE WOODWORK SINCE 1984